

HDC 07A TOLU 1M20G

Weidmüller Interface GmbH & Co. KG

Klingenbergstraße 26

D-32758 Detmold

Germany

www.weidmueller.com



The special die-cast alloy and the multi-layered surface sealing provide complete protection for the HDC housings.

The cleverly designed interlock system is manufactured from stainless steel. This guarantees a long lifespan with high resistance to corrosion and impact.

The housing interlock system provides integrated safety. Our unique, patented spring system provides the housing interlock with a secure grip and prevents accidental opening.

The laser marking allows for easy and quick identification. Each housing is permanently labelled with a laser marking so that each product can be quickly designated and positioned.

Weidmüller RockStar® IP 65 / NEMA Type 4X housings - your first choice for industrial housings with IP 65 protection.

General ordering data

Version	HDC enclosures, Size: 1, Protection degree: IP65 (in plugged condition), Cable entry from top, Plug housing, Side-locking clamp on lower side, Standard, Size of cable entries: M 20
Order No.	1788520000
Type	HDC 07A TOLU 1M20G
GTIN (EAN)	4032248206056
Qty.	1 pc(s).

HDC 07A TOLU 1M20G

Weidmüller Interface GmbH & Co. KG

Klingenbergstraße 26

D-32758 Detmold

Germany

www.weidmueller.com

Technical data

Dimensions and weights

Depth	26.8 mm	Depth (inches)	1.055 inch
Height	50 mm	Height (inches)	1.969 inch
Width	36.5 mm	Width (inches)	1.437 inch
Net weight	13 g		

Temperatures

Limit temperature	-40 °C ... 125 °C
-------------------	-------------------

Environmental Product Compliance

REACH SVHC Potassium perfluorobutane sulfonate 29420-49-3

SCIP 2f94735a-9fba-4903-842f-4fb9aa902310

Chemical resistance	Substance	Acetone
	Chemical resistance	Conditionally resistant
	Substance	Drilling oil
	Chemical resistance	Resistant
	Substance	Diesel
	Chemical resistance	Resistant
	Substance	Ethyl alcohol
	Chemical resistance	Resistant
	Substance	Transmission oil
	Chemical resistance	Resistant
	Substance	Hydraulic oil
	Chemical resistance	Resistant
	Substance	Coolant
	Chemical resistance	Resistant
	Substance	Petroleum benzine
	Chemical resistance	Resistant
	Substance	Sweat
	Chemical resistance	Resistant
	Substance	Premium gasoline
	Chemical resistance	Conditionally resistant
Substance	Water	
Chemical resistance	Resistant	
Substance	UV	
Chemical resistance	Unstable	
Substance	Ozone	
Chemical resistance	Unstable	

Dimensions

Cable entry	w. thread	Height of housing B	50 mm
Total length housing	26.8 mm	Width housing C	26.8 mm

General data

EMC housings	No	Housing main material	Plastic
Protection degree	IP65 (in plugged condition)	Tightening torque	0.5 Nm
UL 94 flammability rating	V-0		

HDC 07A TOLU 1M20G

Weidmüller Interface GmbH & Co. KG

Klingenbergstraße 26

D-32758 Detmold

Germany

www.weidmueller.com

Technical data

Version

BG	1	Cable entry	w. thread
Clamp version	Side-locking clamp	Colour (RAL)	RAL 1001
Design	Standard	Design of housing	Cable entry from top, Plug housing
Design of locking system	Side-locking clamp on lower side	Internal thread	M 20
Number of cable entry on top	1	Number of cable entry sideways	0
Size	1	Size of cable entries	M 20
Suitable for ModuPlug®	No	Tightening torque	0.5 Nm
Top part/bottom part/lid	upper part	Type	Plug

Classifications

ETIM 6.0	EC000437	ETIM 7.0	EC000437
ETIM 8.0	EC000437	ECLASS 9.0	27-44-02-02
ECLASS 9.1	27-44-02-02	ECLASS 10.0	27-44-02-02
ECLASS 11.0	27-44-02-02	ECLASS 12.0	27-44-02-02

Approvals

Approvals



ROHS	Conform
UL File Number Search	UL Website
Certificate No. (cURus)	E92202

Downloads

Engineering Data	CAD data – STEP
Engineering Data	EPLAN, WSCAD
Product Change Notification	20220214 Technical change to HDC housings 20220214 Technische Änderung bei HDC-Gehäusen
Technical Documentation	1788520000 HDC_07A_TOLU_1M20G_STP_Blatt_1.pdf
Catalogues	Catalogues in PDF-format
Brochures	FL FIELDWIRING EN FL FIELDWIRING EN

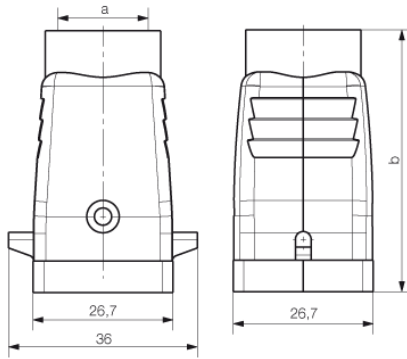
Data sheet

HDC 07A TOLU 1M20G

Weidmüller Interface GmbH & Co. KG
Klingenbergstraße 26
D-32758 Detmold
Germany

www.weidmueller.com

Drawings



X-ON Electronics

Largest Supplier of Electrical and Electronic Components

Click to view similar products for [Heavy Duty Power Connectors](#) category:

Click to view products by [Weidmuller](#) manufacturer:

Other Similar products are found below :

[6646058-2](#) [6646137-1](#) [6646138-1](#) [6646940-1](#) [6651091-1](#) [6651525-1](#) [6651529-1](#) [696475-1](#) [702-32-01109](#) [73080255059](#) [73080965046](#)
[7310205040001](#) [765-16-0080B](#) [765-18-0080D](#) [902-77-02113](#) [PS00/A0620/6300](#) [AN0024023](#) [154-42B7WM250](#) [MS3117-14AC](#) [1643543-1](#)
[1766966-1](#) [1791340000](#) [NLDFT-3-BL-L-S120-M40A](#) [NLDFT-N-W-L-C240-M40B](#) [1926015-1](#) [NLS-3-BL-C240-M40B](#) [NLS-N-W-C240-](#)
[M40B](#) [NPS-3-BL-T6](#) [2-1589900-8](#) [9300480317](#) [294-0091-01100](#) [296-0040-01100](#) [1-6609148-0](#) [A32595-0049](#) [1766249-1](#) [19000005132](#)
[1926016-1](#) [1-966831-8](#) [AN0024202](#) [AN0264023](#) [279-0841-10100A](#) [281-0334-00100A](#) [RMSB4](#) [419-2083-301](#) [LCDX4/0-14B-X](#) [075-8519-](#)
[001](#) [078238-1613](#) [07.470.3256.0](#) [09000005288](#) [09140240311](#)