

## HDC 07A KOLU 1M20G

**Weidmüller Interface GmbH & Co. KG**

Klingenbergstraße 26

D-32758 Detmold

Germany

[www.weidmueller.com](http://www.weidmueller.com)



The special die-cast alloy and the multi-layered surface sealing provide complete protection for the HDC housings.

The cleverly designed interlock system is manufactured from stainless steel. This guarantees a long lifespan with high resistance to corrosion and impact.

The housing interlock system provides integrated safety. Our unique, patented spring system provides the housing interlock with a secure grip and prevents accidental opening.

The laser marking allows for easy and quick identification. Each housing is permanently labelled with a laser marking so that each product can be quickly designated and positioned.

Weidmüller RockStar® IP 65 / NEMA Type 4X housings - your first choice for industrial housings with IP 65 protection.

### General ordering data

Version	HDC enclosures, Size: 1, Protection degree: IP65 (in plugged condition), Coupling housing, Side-locking clamp on lower side, Standard, Size of cable entries: M 20
Order No.	<a href="#">1788540000</a>
Type	HDC 07A KOLU 1M20G
GTIN (EAN)	4032248206070
Qty.	1 pc(s).

## HDC 07A KOLU 1M20G

Weidmüller Interface GmbH &amp; Co. KG

Klingenbergstraße 26

D-32758 Detmold

Germany

www.weidmueller.com

## Technical data

## Dimensions and weights

Depth	26.7 mm	Depth (inches)	1.051 inch
Height	77.5 mm	Height (inches)	3.051 inch
Width	36.5 mm	Width (inches)	1.437 inch
Net weight	25 g		

## Temperatures

Limit temperature	-40 °C ... 125 °C
-------------------	-------------------

## Environmental Product Compliance

REACH SVHC Potassium perfluorobutane sulfonate 29420-49-3

SCIP 2f94735a-9fba-4903-842f-4fb9aa902310

Chemical resistance	Substance	Acetone
	Chemical resistance	Conditionally resistant
	Substance	Drilling oil
	Chemical resistance	Resistant
	Substance	Diesel
	Chemical resistance	Resistant
	Substance	Ethyl alcohol
	Chemical resistance	Resistant
	Substance	Transmission oil
	Chemical resistance	Resistant
	Substance	Hydraulic oil
	Chemical resistance	Resistant
	Substance	Coolant
	Chemical resistance	Resistant
	Substance	Petroleum benzine
	Chemical resistance	Resistant
	Substance	Sweat
	Chemical resistance	Resistant
	Substance	Premium gasoline
	Chemical resistance	Conditionally resistant
Substance	Water	
Chemical resistance	Resistant	
Substance	UV	
Chemical resistance	Unstable	
Substance	Ozone	
Chemical resistance	Unstable	

## Dimensions

Cable entry	w. thread	Height of housing B	53.5 mm
Total length housing	26.5 mm	Width housing C	26.8 mm

## General data

EMC housings	No	Housing main material	Plastic
Material of locking element	Stainless steel, rust-proof	Protection degree	IP65 (in plugged condition)
Tightening torque	0.5 Nm	UL 94 flammability rating	V-0

**HDC 07A KOLU 1M20G****Weidmüller Interface GmbH & Co. KG**

Klingenbergstraße 26

D-32758 Detmold

Germany

www.weidmueller.com

**Technical data****Version**

BG	1	Cable entry	w. thread
Clamp version	Side-locking clamp	Colour (RAL)	RAL 1001
Design	Standard	Design of housing	Coupling housing
Design of locking system	Side-locking clamp on lower side	Internal thread	M 20
Number of cable entry on top	1	Number of cable entry sideways	0
Size	1	Size of cable entries	M 20
Suitable for ModuPlug®	No	Tightening torque	0.5 Nm
Top part/bottom part/lid	lower part	Type	coupling extension

**Classifications**

ETIM 6.0	EC000437	ETIM 7.0	EC000437
ETIM 8.0	EC000437	ECLASS 9.0	27-44-02-02
ECLASS 9.1	27-44-02-02	ECLASS 10.0	27-44-02-02
ECLASS 11.0	27-44-02-02	ECLASS 12.0	27-44-02-02

**Approvals**

Approvals



ROHS	Conform
UL File Number Search	UL Website
Certificate No. (cURus)	E92202

**Downloads**

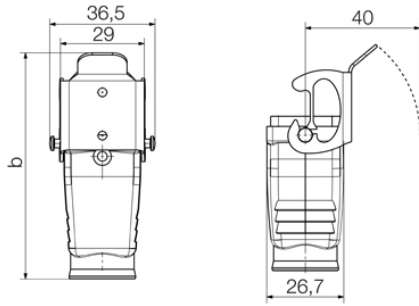
Engineering Data	<a href="#">CAD data – STEP</a>
Engineering Data	<a href="#">EPLAN, WSCAD</a>
Product Change Notification	<a href="#">20220214 Technical change to HDC housings</a> <a href="#">20220214 Technische Änderung bei HDC-Gehäusen</a>
Technical Documentation	<a href="#">1788540000 HDC_07A_KLU_1M20G_STP_Blatt_1.pdf</a>
Catalogues	<a href="#">Catalogues in PDF-format</a>
Brochures	<a href="#">FL FIELDWIRING EN</a> <a href="#">FL FIELDWIRING EN</a>

**HDC 07A KOLU 1M20G**

**Weidmüller Interface GmbH & Co. KG**  
Klingenbergstraße 26  
D-32758 Detmold  
Germany

[www.weidmueller.com](http://www.weidmueller.com)

**Drawings**



## X-ON Electronics

Largest Supplier of Electrical and Electronic Components

*Click to view similar products for [Heavy Duty Power Connectors](#) category:*

*Click to view products by [Weidmuller](#) manufacturer:*

Other Similar products are found below :

[6646058-2](#) [6646137-1](#) [6646138-1](#) [6646940-1](#) [6651091-1](#) [6651525-1](#) [6651529-1](#) [696475-1](#) [702-32-01109](#) [73080255059](#) [73080965046](#)  
[7310205040001](#) [765-16-0080B](#) [765-18-0080D](#) [902-77-02113](#) [PS00/A0620/6300](#) [AN0024023](#) [154-42B7WM250](#) [MS3117-14AC](#) [1643543-1](#)  
[1766966-1](#) [1791340000](#) [NLDFT-3-BL-L-S120-M40A](#) [NLDFT-N-W-L-C240-M40B](#) [1926015-1](#) [NLS-3-BL-C240-M40B](#) [NLS-N-W-C240-](#)  
[M40B](#) [NPS-3-BL-T6](#) [2-1589900-8](#) [9300480317](#) [294-0091-01100](#) [296-0040-01100](#) [1-6609148-0](#) [A32595-0049](#) [1766249-1](#) [19000005132](#)  
[1926016-1](#) [1-966831-8](#) [AN0024202](#) [AN0264023](#) [279-0841-10100A](#) [281-0334-00100A](#) [RMSB4](#) [419-2083-301](#) [LCDX4/0-14B-X](#) [075-8519-](#)  
[001](#) [078238-1613](#) [07.470.3256.0](#) [09000005288](#) [09140240311](#)