

HDC 04A KOLU 1M20G

Weidmüller Interface GmbH & Co. KG

Klingenbergstraße 26

D-32758 Detmold

Germany

www.weidmueller.com



The special die-cast alloy and the multi-layered surface sealing provide complete protection for the HDC housings.

The cleverly designed interlock system is manufactured from stainless steel. This guarantees a long lifespan with high resistance to corrosion and impact.

The housing interlock system provides integrated safety. Our unique, patented spring system provides the housing interlock with a secure grip and prevents accidental opening.

The laser marking allows for easy and quick identification. Each housing is permanently labelled with a laser marking so that each product can be quickly designated and positioned.

Weidmüller RockStar® IP 65 / NEMA Type 4X housings - your first choice for industrial housings with IP 65 protection.

General ordering data

Version	HDC enclosures, Size: 1, Protection degree: IP65 (in plugged condition), Closed housing, Side-locking clamp on lower side, Standard, Size of cable entries: M 20
Order No.	1788840000
Type	HDC 04A KOLU 1M20G
GTIN (EAN)	4032248206384
Qty.	1 pc(s).

HDC 04A KOLU 1M20G

Weidmüller Interface GmbH & Co. KG

Klingenbergstraße 26

D-32758 Detmold

Germany

www.weidmueller.com

Technical data

Dimensions and weights

Depth	26.5 mm	Depth (inches)	1.043 inch
Height	77.5 mm	Height (inches)	3.051 inch
Net weight	40 g	Width	36.5 mm
Width (inches)	1.437 inch		

Temperatures

Limit temperature	-40 °C ... 125 °C
-------------------	-------------------

Environmental Product Compliance

REACH SVHC	Lead 7439-92-1	
Chemical resistance	Substance	Acetone
	Chemical resistance	Conditionally resistant
	Substance	Drilling oil
	Chemical resistance	Resistant
	Substance	Diesel
	Chemical resistance	Resistant
	Substance	Ethyl alcohol
	Chemical resistance	Resistant
	Substance	Transmission oil
	Chemical resistance	Resistant
	Substance	Hydraulic oil
	Chemical resistance	Resistant
	Substance	Coolant
	Chemical resistance	Resistant
	Substance	Petroleum benzine
	Chemical resistance	Resistant
	Substance	Sweat
	Chemical resistance	Resistant
	Substance	Premium gasoline
	Chemical resistance	Conditionally resistant
Substance	Water	
Chemical resistance	Resistant	
Substance	UV	
Chemical resistance	Unstable	
Substance	Ozone	
Chemical resistance	Unstable	

Dimensions

Cable entry	w. threading	Height of housing B	53.5 mm
Total length housing	26.5 mm	Width housing C	26.8 mm

General data

EMC housings	No	Housing main material	diecast aluminium
Material of locking element	Stainless steel, rust-proof	Protection degree	IP65 (in plugged condition)
Surface finish	Powder coating	Tightening torque	0.5 Nm

HDC 04A KOLU 1M20G**Weidmüller Interface GmbH & Co. KG**

Klingenbergstraße 26

D-32758 Detmold

Germany

www.weidmueller.com

Technical data**Version**

Cable entry	w. threading	Clamp version	Side-locking clamp
Design	Standard	Design of housing	Closed housing
Design of locking system	Side-locking clamp on lower side	Internal thread	M 20
Number of cable entry on top	1	Number of cable entry sideways	0
Size	1	Size of cable entries	M 20
Suitable for ModuPlug®	No	Tightening torque	0.5 Nm
Top part/bottom part/lid	lower part	Type	coupling extension

Classifications

ETIM 6.0	EC000437	ETIM 7.0	EC000437
eClass 9.0	27-44-02-02	eClass 9.1	27-44-02-02
eClass 10.0	27-44-02-02	eClass 11.0	27440202

Approvals

Approvals



ROHS	Conform
UL File Number Search	E92202

Downloads

Brochure/Catalogue	CAT 3 HDC 17/18 EN FL FIELDWIRING EN
Engineering Data	STEP
Engineering Data	EPLAN_WSCAD
Technical Documentation	1788840000_HDC_04A_KLU_1M20G_STP_Blatt_1.pdf

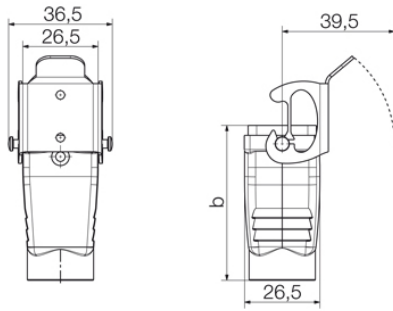
Data sheet

HDC 04A KOLU 1M20G

Weidmüller Interface GmbH & Co. KG
Klingenbergstraße 26
D-32758 Detmold
Germany

www.weidmueller.com

Drawings



HDC 04A KOLU 1M20G

Weidmüller Interface GmbH & Co. KG
 Klingenbergstraße 26
 D-32758 Detmold
 Germany

www.weidmueller.com

Accessories

Cover



The special die-cast alloy and the multi-layered surface sealing provide complete protection for the HDC housings.

The cleverly designed interlock system is manufactured from stainless steel. This guarantees a long lifespan with high resistance to corrosion and impact.

The housing interlock system provides integrated safety. Our unique, patented spring system provides the housing interlock with a secure grip and prevents accidental opening.

The laser marking allows for easy and quick identification. Each housing is permanently labelled with a laser marking so that each product can be quickly designated and positioned.

Weidmüller RockStar® IP 65 / NEMA Type 4X housings - your first choice for industrial housings with IP 65 protection.

General ordering data

Type	HDC 04A DODL 2B0	Version
Order No.	1665740000	HDC enclosures, Size: 1, Protection degree: IP65 (in plugged condition), Cover for lower part of housing, Side-locking clamp on lower side, Standard
GTIN (EAN)	4008190422769	
Qty.	1 pc(s).	
Type	HDC 04A DMDL 2B0	Version
Order No.	1665750000	HDC enclosures, Size: 1, Protection degree: IP65 (in plugged condition), Cover for lower part of housing, Side-locking clamp on lower side, Standard
GTIN (EAN)	4008190422776	
Qty.	1 pc(s).	

X-ON Electronics

Largest Supplier of Electrical and Electronic Components

Click to view similar products for [Weidmuller manufacturer:](#)

Other Similar products are found below :

[0101700000](#) [0103300000](#) [0105620000](#) [0105820000](#) [0110020000](#) [0110060000](#) [0114660000](#) [0117500000](#) [0117510000](#) [0117920000](#)
[0117960000](#) [0117960000 AP SAK4-10](#) [011796 AP \(SAK4/6\)](#) [0117980000](#) [0117980000 AP SAK4-10 BL](#) [0119660000](#) [0119760000](#)
[0119960000](#) [0120060000](#) [0122800000](#) [012280 \(PACK OF 5\)](#) [0122810000](#) [0124300000](#) [0124800000](#) [0126160000](#) [0126260000](#) [0126360000](#)
[0126700000](#) [0128360000](#) [012836 SAK4](#) [0128380000](#) [012838 SAK4](#) [0130160000](#) [0131700000](#) [0132961027](#) [0132961039](#) [0133360001](#)
[0133360011](#) [0133660000](#) [0134220000](#) [0134500000](#) [0134700000](#) [0134920000](#) [0137100000](#) [0139160000](#) [0140200000](#) [0140320000](#)
[0140800000](#) [0141620000](#) [0146720000](#)