

## BCZ 3.81/04/180F SN GN BX

**Weidmüller Interface GmbH & Co. KG**

Klingenbergstraße 26

D-32758 Detmold

Germany

www.weidmueller.com

### Product image



Similar to illustration

Female socket connectors with clamping-yoke screw system for connecting wires.

Three wire-outlet directions are available and provide flexible connection-level design options:

- 180° wire parallel to plugging direction
- 90° wire perpendicular and above plugging direction
- 270° wire perpendicular and below plugging direction

There are three housing shapes, covering many different requirements, to choose from:

- Standard housing without flange
- Flange with screw (F)
- Flange featuring Weidmüller's patented release latch (LR) for lock-and-release latching with no strain and no tools needed.

Weidmüller's 3.81-mm-pitch (0.15 inch) plug-in connectors are compatible with the layouts of customary connectors and offer space for labelling and coding.

### General ordering data

|              |  |
|--------------|--|
| Version      | PCB plug-in connector, female plug, 3.81 mm, Number of poles: 4, 180°, Clamping yoke connection, Clamping range, max. : 1.5 mm², Box |
| Order No.    | <a href="#">1793060000</a>   |
| Type         | BCZ 3.81/04/180F SN GN BX  |
| GTIN (EAN)   | 4032248227143  |
| Qty.         | 50 pc(s).  |
| Product data | IEC: 320 V / 17.5 A / 0.2 - 1.5 mm²<br>UL: 300 V / 10 A / AWG 28 - AWG 16  |
| Packaging    | Box  |

**BCZ 3.81/04/180F SN GN BX****Weidmüller Interface GmbH & Co. KG**

Klingenbergstraße 26

D-32758 Detmold

Germany

www.weidmueller.com

**Technical data****Dimensions and weights**

|            |          |                 |            |
|------------|----------|-----------------|------------|
| Depth      | 16.1 mm  | Depth (inches)  | 0.634 inch |
| Height     | 11.1 mm  | Height (inches) | 0.437 inch |
| Width      | 25.66 mm | Width (inches)  | 1.01 inch  |
| Net weight | 4.24 g   |                 |            |

**Environmental Product Compliance**

REACH SVHC Lead 7439-92-1

**System Parameters**

|  |                                      |                   |              |
|--|--------------------------------------|-------------------|--------------|
| Product family                               | OMNIMATE Signal - series BC/SC 3.8 1 |                   |              |
| Type of connection                           | Field connection                     |                   |              |
| Wire connection method                       | Clamping yoke connection             |                   |              |
| Pitch in mm (P)                              | 3.81 mm                              |                   |              |
| Pitch in inches (P)                          | 0.15 inch                            |                   |              |
| Conductor outlet direction                   | 180°                                 |                   |              |
| Number of poles                              | 4                                    |                   |              |
| L1 in mm                                     | 11.43 mm                             |                   |              |
| L1 in inches                                 | 0.45 inch                            |                   |              |
| Number of rows                               | 1                                    |                   |              |
| Pin series quantity                          | 1                                    |                   |              |
| Rated cross-section                          | 1 mm <sup>2</sup>                    |                   |              |
| Touch-safe protection acc. to DIN VDE 57 106 | Safe from finger touch               |                   |              |
| Touch-safe protection acc. to DIN VDE 0470   | IP 20                                |                   |              |
| Volume resistance                            | ≤5 mΩ                                |                   |              |
| Can be coded                                 | Yes                                  |                   |              |
| Stripping length                             | 7 mm                                 |                   |              |
| Clamping screw                               | M 2                                  |                   |              |
| Screwdriver blade                            | 0.4 x 2.5                            |                   |              |
| Screwdriver blade standard                   | DIN 5264                             |                   |              |
| Plugging cycles                              | 25                                   |                   |              |
| Plugging force/pole, max.                    | 7 N                                  |                   |              |
| Pulling force/pole, max.                     | 5 N                                  |                   |              |
| Tightening torque                            | Torque type                          | Wire connection   |              |
|  | Usage information                    | Tightening torque | min. 0.2 Nm  |
|  |                                      |                   | max. 0.25 Nm |
|  | Torque type                          | Screw flange      |              |
| Usage information                            | Tightening torque                    | min. 0.15 Nm      |              |
|  |                                      | max. 0.2 Nm       |              |

**Material data**

|                                       |                               |                                       |        |
|---------------------------------------|-------------------------------|---------------------------------------|--------|
| Insulating material                   | PA 66 GF 30                   | Colour                                | green  |
| Colour chart (similar)                | RAL 6032                      | Insulating material group             | II     |
| Comparative Tracking Index (CTI)      | ≥ 550                         | UL 94 flammability rating             | V-0    |
| Contact material                      | Copper alloy                  | Contact surface                       | tinned |
| Layer structure of plug contact       | 0.5...1.5 μm Cu / 2...5 μm Sn | Storage temperature, min.             | -40 °C |
| Storage temperature, max.             | 70 °C                         | Operating temperature, min.           | -50 °C |
| Operating temperature, max.           | 120 °C                        | Temperature range, installation, min. | -25 °C |
| Temperature range, installation, max. | 120 °C                        |                                       |        |

Creation date January 14, 2022 12:08:29 PM CET

## BCZ 3.81/04/180F SN GN BX

**Weidmüller Interface GmbH & Co. KG**

Klingenbergstraße 26

D-32758 Detmold

Germany

www.weidmueller.com

## Technical data

### Conductors suitable for connection

|   |                      |
|---|----------------------|
| Clamping range, min.  | 0.08 mm <sup>2</sup> |
| Clamping range, max.  | 1.5 mm <sup>2</sup>  |
| Wire connection cross section AWG, min.                             | AWG 28               |
| Wire connection cross section AWG, max.                             | AWG 16               |
| Solid, min. H05(07) V-U   | 0.2 mm <sup>2</sup>  |
| Solid, max. H05(07) V-U   | 1.5 mm <sup>2</sup>  |
| Flexible, min. H05(07) V-K  | 0.2 mm <sup>2</sup>  |
| Flexible, max. H05(07) V-K  | 1.5 mm <sup>2</sup>  |
| w. plastic collar ferrule, DIN 46228 pt 4, 0.2 mm <sup>2</sup> min. |                      |
| w. plastic collar ferrule, DIN 46228 pt 4, 1.5 mm <sup>2</sup> max. |                      |
| w. wire end ferrule, DIN 46228 pt 1, min.                           | 0.2 mm <sup>2</sup>  |
| w. wire end ferrule, DIN 46228 pt 1, max.                           | 1.5 mm <sup>2</sup>  |
| Plug gauge in accordance with EN 60999 a x b; ø                     | 2.4 mm x 1.5 mm      |

| Clampable conductor                    | Cross-section for conductor connection | Type                         | fine-wired              |
|--|--|------------------------------|-------------------------|
|  |  | nominal                      | 0.5 mm <sup>2</sup>     |
| wire end ferrule                       |  | Stripping length             | nominal 6 mm            |
|  |  | Recommended wire-end ferrule | <a href="#">H0.5/6</a>  |
|  |  |                              |                         |
| Cross-section for conductor connection |  | Type                         | fine-wired              |
|  |  | nominal                      | 0.75 mm <sup>2</sup>    |
| wire end ferrule                       |  | Stripping length             | nominal 6 mm            |
|  |  | Recommended wire-end ferrule | <a href="#">H0.75/6</a> |
|  |  |                              |                         |
| Cross-section for conductor connection |  | Type                         | fine-wired              |
|  |  | nominal                      | 1 mm <sup>2</sup>       |
| wire end ferrule                       |  | Stripping length             | nominal 6 mm            |
|  |  | Recommended wire-end ferrule | <a href="#">H1.0/6</a>  |
|  |  |                              |                         |
| Cross-section for conductor connection |  | Type                         | fine-wired              |
|  |  | nominal                      | 1.5 mm <sup>2</sup>     |
| wire end ferrule                       |  | Stripping length             | nominal 7 mm            |
|  |  | Recommended wire-end ferrule | <a href="#">H1.5/7</a>  |
|  |  |                              |                         |

Reference text The outside diameter of the plastic collar should not be larger than the pitch (P). Length of ferrules is to be chosen depending on the product and the rated voltage.

### Rated data acc. to IEC


| tested acc. to standard   | IEC 60664-1, IEC 61984 | Rated current, min. number of poles (Tu=20°C)                         | 17.5 A           |
|---|------------------------|---|------------------|
| Rated current, max. number of poles (Tu=20°C)                             | 17.5 A                 | Rated current, min. number of poles (Tu=40°C)                         | 17 A             |
| Rated current, max. number of poles (Tu=40°C)                             | 15.2 A                 | Rated voltage for surge voltage class / pollution degree II/2         | 320 V            |
| Rated voltage for surge voltage class / pollution degree III/2            | 160 V                  | Rated voltage for surge voltage class / pollution degree III/3        | 160 V            |
| Rated impulse voltage for surge voltage class/ pollution degree II/2      | 2.5 kV                 | Rated impulse voltage for surge voltage class/ pollution degree III/2 | 2.5 kV           |
| Rated impulse voltage for surge voltage class/ contamination degree III/3 | 2.5 kV                 | Short-time withstand current resistance                               | 3 x 1s with 76 A |

Creation date January 14, 2022 12:08:29 PM CET


**BCZ 3.81/04/180F SN GN BX**
**Weidmüller Interface GmbH & Co. KG**

 Klingenbergstraße 26  
 D-32758 Detmold  
 Germany

[www.weidmueller.com](http://www.weidmueller.com)
**Technical data**
**Rated data acc. to CSA**

|                                   |   |                                   |                |
|-----------------------------------|---|-----------------------------------|----------------|
| Institute (CSA)                   |  | Certificate No. (CSA)             | 200039-1121690 |
| Rated voltage (Use group B / CSA) | 300 V   | Rated voltage (Use group C / CSA) | 50 V           |
| Rated current (Use group B / CSA) | 8 A   | Rated current (Use group C / CSA) | 8 A            |
| Wire cross-section, AWG, min.     | AWG 28  | Wire cross-section, AWG, max.     | AWG 16         |
| Reference to approval values      | Specifications are maximum values, details - see approval certificate.            |                                   |                |

**Rated data acc. to UL 1059**

|                                       |   |                                       |        |
|---------------------------------------|---|---------------------------------------|--------|
| Institute (cURus)                     |  | Certificate No. (cURus)               | E60693 |
| Rated voltage (Use group B / UL 1059) | 300 V   | Rated voltage (Use group D / UL 1059) | 300 V  |
| Rated current (Use group B / UL 1059) | 10 A  | Rated current (Use group D / UL 1059) | 10 A   |
| Wire cross-section, AWG, min.         | AWG 28  | Wire cross-section, AWG, max.         | AWG 16 |
| Reference to approval values          | Specifications are maximum values, details - see approval certificate.            |                                       |        |

**Packing**

|           |       |            |        |
|-----------|-------|------------|--------|
| Packaging | Box   | VPE length | 55 mm  |
| VPE width | 65 mm | VPE height | 100 mm |

**Type tests**

|  |            |   |
|--|------------|---|
| Test: Durability of markings                 | Standard   | DIN EN 61984 section 7.3.2 / 09.02 taking pattern from DIN EN 60068-2-70 / 07.96  |
|  | Test       | mark of origin, type identification, rated voltage, rated cross-section, pitch, type of material, approval marking UL, approval marking CSA |
|  | Evaluation | available   |
|  | Test       | durability  |
| Test: Misengagement (Non-interchangeability) | Evaluation | passed  |
|  | Standard   | DIN EN 61984 section 6.3 and 6.9.1 / 09.02, DIN EN 60512-13-5 / 11.06   |
|  | Test       | 180° turned without coding elements   |
|  | Evaluation | passed  |
|  | Test       | visual examination  |
|  | Evaluation | passed  |

**BCZ 3.81/04/180F SN GN BX**

**Weidmüller Interface GmbH & Co. KG**  
 Klingenbergstraße 26  
 D-32758 Detmold  
 Germany

www.weidmueller.com

**Technical data**

|   |   |  |                               |
|---|---|--|-------------------------------|
| Test: Clampable cross section                             | Standard                                      | DIN EN 60999-1 section 7 and 9.1 / 12.00, DIN EN 60947-1 section 8.2.4.5.1 / 12.02 |                               |
|   | Conductor type                                | Type of conductor and conductor cross-section                                      | solid 0.08 mm <sup>2</sup>    |
|   |   | Type of conductor and conductor cross-section                                      | stranded 0.08 mm <sup>2</sup> |
|   |   | Type of conductor and conductor cross-section                                      | solid 1.5 mm <sup>2</sup>     |
|   |   | Type of conductor and conductor cross-section                                      | stranded 1.5 mm <sup>2</sup>  |
|   |   | Type of conductor and conductor cross-section                                      | AWG 28/1                      |
|   |   | Type of conductor and conductor cross-section                                      | AWG 28/19                     |
|   |   | Type of conductor and conductor cross-section                                      | AWG 16/1                      |
|   |   | Type of conductor and conductor cross-section                                      | AWG 16/19                     |
| Evaluation  | passed  |  |                               |
| Test for damage to and accidental loosening of conductors | Standard                                      | DIN EN 60999-1 section 9.4 / 12.00   |                               |
|   | Requirement                                   | 0.2 kg   |                               |
|   | Conductor type                                | Type of conductor and conductor cross-section                                      | stranded 0.25 mm <sup>2</sup> |
|   |   | Type of conductor and conductor cross-section                                      | AWG 28/1                      |
|   |   | Type of conductor and conductor cross-section                                      | AWG 28/19                     |
|   | Evaluation                                    | passed   |                               |
|   | Requirement                                   | 0.3 kg   |                               |
|   | Conductor type                                | Type of conductor and conductor cross-section                                      | solid 0.5 mm <sup>2</sup>     |
|   | Evaluation                                    | passed   |                               |
|   | Requirement                                   | 0.4 kg   |                               |
| Conductor type  | Type of conductor and conductor cross-section | solid 1.5 mm <sup>2</sup>  |                               |
|   | Type of conductor and conductor cross-section | stranded 1.5 mm <sup>2</sup>   |                               |
|   | Type of conductor and conductor cross-section | AWG 16/1   |                               |
|   | Type of conductor and conductor cross-section | AWG 16/19  |                               |
| Evaluation  | passed  |  |                               |

## BCZ 3.81/04/180F SN GN BX

**Weidmüller Interface GmbH & Co. KG**  
 Klingenbergstraße 26  
 D-32758 Detmold  
 Germany

www.weidmueller.com

## Technical data

|               |                |   |                               |  |
|---------------|----------------|---|-------------------------------|--|
| Pull-out test | Standard       | DIN EN 60999-1 section 9.5 / 12.00            |                               |  |
|               | Requirement    | ≥10 N   |                               |  |
|               | Conductor type | Type of conductor and conductor cross-section | stranded 0.25 mm <sup>2</sup> |  |
|               |                | Type of conductor and conductor cross-section | AWG 28/1                      |  |
|               |                | Type of conductor and conductor cross-section | AWG 28/19                     |  |
|               | Evaluation     | passed  |                               |  |
|               | Requirement    | ≥20 N   |                               |  |
|               | Conductor type | Type of conductor and conductor cross-section | H05V-U0.5                     |  |
|               |                | Evaluation                                    | passed                        |  |
|               | Requirement    | ≥40 N   |                               |  |
|               | Conductor type | Type of conductor and conductor cross-section | H07V-U1.5                     |  |
|               |                | Type of conductor and conductor cross-section | H07V-K1.5                     |  |
|               |                | Type of conductor and conductor cross-section | AWG 16/1                      |  |
|               |                | Type of conductor and conductor cross-section | AWG 16/19                     |  |
|               | Evaluation     | passed  |                               |  |

## Classifications

|             |             |             |             |
|-------------|-------------|-------------|-------------|
| ETIM 6.0    | EC002638    | ETIM 7.0    | EC002638    |
| ETIM 8.0    | EC002638    | ECLASS 9.0  | 27-44-03-09 |
| ECLASS 9.1  | 27-44-03-09 | ECLASS 10.0 | 27-44-03-09 |
| ECLASS 11.0 | 27-46-02-02 |             |             |

## Important note

|                |   |
|----------------|---|
| IPC conformity | Conformity: The products are developed, manufactured and delivered according international recognized standards and norms and comply with the assured properties in the data sheet resp. fulfill decorative properties in accordance with IPC-A-610 "Class 2". Further claims on the products can be evaluated on request.  |
| Notes          | <ul style="list-style-type: none"> <li>• Additional colours on request</li> <li>• Wire end ferrule without plastic collar to DIN 46228/1</li> <li>• Wire end ferrule with plastic collar to DIN 46228/4</li> <li>• P on drawing = pitch</li> <li>• Rated data refer only to the component itself. Clearance and creepage distances to other components are to be designed in accordance with the relevant application standards.</li> <li>• Long term storage of the product with average temperature of 50 °C and average humidity 70%, 36 months</li> </ul> |

**Data sheet**

**BCZ 3.81/04/180F SN GN BX**

**Weidmüller Interface GmbH & Co. KG**  
 Klingenbergstraße 26  
 D-32758 Detmold  
 Germany

www.weidmueller.com

**Technical data**

**Approvals**

Approvals



ROHS Conform  
 UL File Number Search E60693

**Downloads**

|   |   |
|---|---|
| Approval/Certificate/Document of Conformity | <a href="#">CB Certificate</a><br><a href="#">CB Testreport</a><br><a href="#">Declaration of the Manufacturer</a>  |
| Engineering Data                            | <a href="#">WSCAD</a>   |
| Catalogues                                  | <a href="#">Catalogues in PDF-format</a>  |
| Brochures                                   | <a href="#">FL DRIVES EN</a><br><a href="#">MB DEVICE MANUF. EN</a><br><a href="#">FL DRIVES DE</a><br><a href="#">FL BUILDING SAFETY EN</a><br><a href="#">FL APPL LED LIGHTING EN</a><br><a href="#">FLIndustr.CONTROLS EN</a><br><a href="#">FL MACHINE SAFETY EN</a><br><a href="#">FL HEATING ELECTR EN</a><br><a href="#">FL APPL INVERTER EN</a><br><a href="#">FL_BASE_STATION_EN</a><br><a href="#">FL ELEVATOR EN</a><br><a href="#">FL POWER SUPPLY EN</a><br><a href="#">FL 72H SAMPLE SER EN</a><br><a href="#">PO OMNIMATE EN</a> |

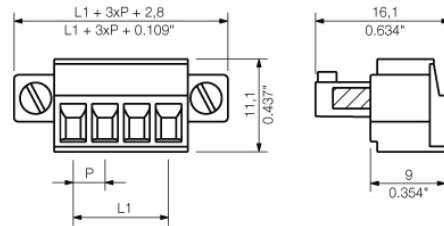
**BCZ 3.81/04/180F SN GN BX**

**Weidmüller Interface GmbH & Co. KG**  
 Klingenbergstraße 26  
 D-32758 Detmold  
 Germany

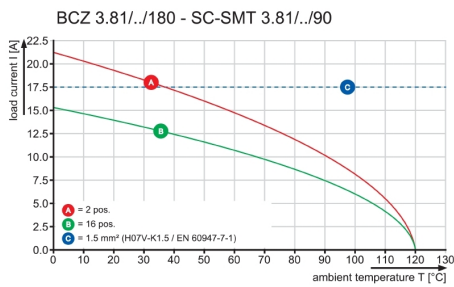
www.weidmueller.com

**Drawings**

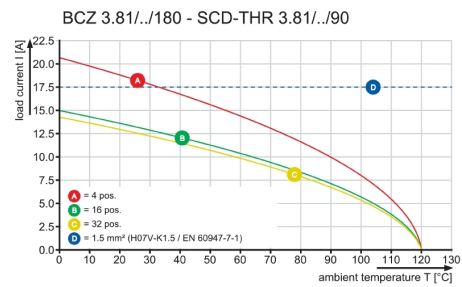
**Dimensional drawing**



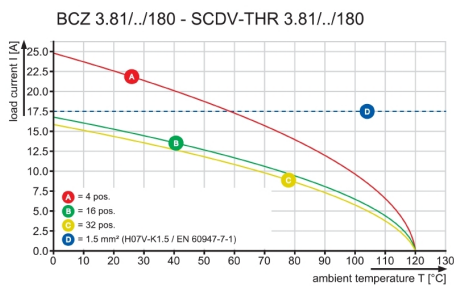
**Graph**



**Graph**



**Graph**





**BCZ 3.81/04/180F SN GN BX**

**Weidmüller Interface GmbH & Co. KG**  
 Klingenbergstraße 26  
 D-32758 Detmold  
 Germany

www.weidmueller.com

**Accessories**

**Cover hoods**



**Effective protection, optimised ergonomics and closed design:**

From the strain relief on the connected conductors and the visual/contact protection and the disconnection aid: the optional retrofit hoods perform mechanical, visual and haptic functions.

The two half shells clip together securely, enclose the plug completely and offer the following functions:

- Cable ties or integrated cable clips provide strain relief.
- Marked with dekafix labels or adhesive strips
- Mounting side by side without losing poles or displacing the pitch
- Compatible: suitable for plugs with or without a flange or mounting bracket
- Flexible: 1-3 cable outlets leading in different directions available depending on the size

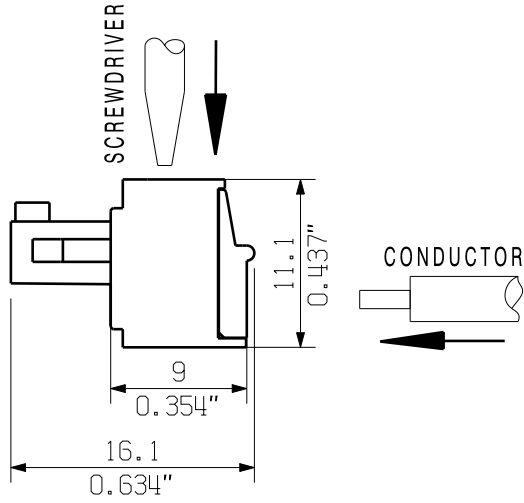
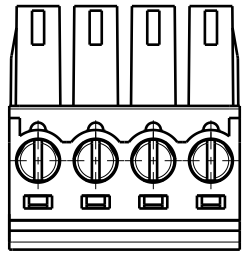
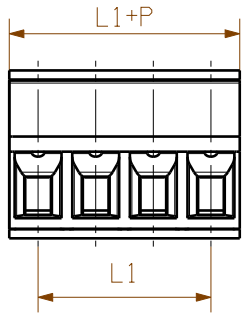
Weidmüller hoods offer added stability, better identification, complete compatibility and versatility. The result: maximum reliability and user-friendliness in any application.

**General ordering data**

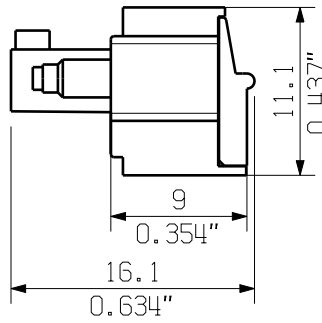
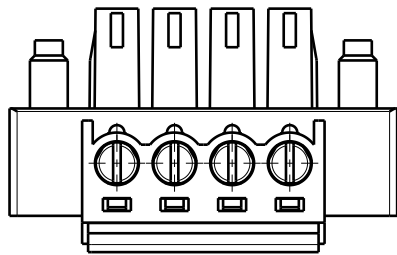
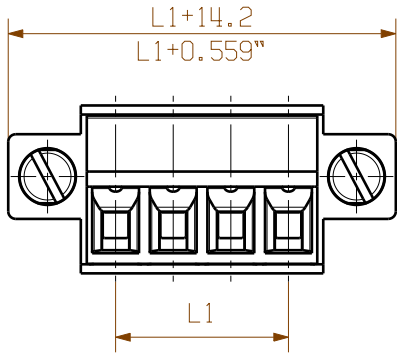
| Type       | BCZ 3.81 AH04 BK BX        | Version   | Product data | Packaging |
|------------|----------------------------|---|--------------|-----------|
| Order No.  | <a href="#">1005290000</a> | PCB plug-in connector, Accessories, Hood, black, Number of poles: 4 |              | Box       |
| GTIN (EAN) | 4032248752515              |   |              |           |
| Qty.       | 10 pc(s).                  |   |              |           |

10

BCZ 3.81/.../180 ...



BCZ 3.81/.../180F ...



The reproduction, distribution and utilization of this document as well as the communication of its contents without explicit authorization is prohibited. Offenders will be held liable for the payment of damages. Weidmüller exclusively reserves the right to file for patents, utility models or designs.

© Weidmüller Interface GmbH & Co. KG

For the mounting of PCBs, it should be noted that the rated data given in the catalogue relates only to connection elements. The necessary creepage and clearance paths must be observed in connection with the respective applicant in accordance with VDE standards. The current-carrying capacity and pitch tolerance must be determined according to DIN IEC 326 part 3.

Weidmüller connectors are tested to the DIN VDE 0299 standard, and are valid for its field of application. Provided that the connectors are used to the intended purpose, all requirements with respect to the occurrence of electrical, mechanical, thermic and corrosive stress will be satisfied.

## X-ON Electronics

Largest Supplier of Electrical and Electronic Components

*Click to view similar products for [Pluggable Terminal Blocks](#) category:*

*Click to view products by [Weidmuller](#) manufacturer:*

Other Similar products are found below :

[57.510.0053](#) [MC 1.5/ 6-ST-3.5 GY AU](#) [ET02015000J0G](#) [734-104](#) [734-302](#) [8-141-P](#) [8426620000](#) [860505](#) [860516](#) [860810](#) [GBPACX-12](#)  
[93.731.4953.0](#) [PV05-5,08-K](#) [PVP03-3,50](#) [PVP04-3,50](#) [PVS02-5,00](#) [1-1986160-3](#) [1377680000](#) [1531000000](#) [1546228-5](#) [ELFH16150](#)  
[ELFP03110](#) [ELFP10210](#) [ELFT06250](#) [ELVP03100](#) [1700101](#) [1700410](#) [1700425](#) [1702246](#) [1705229](#) [1710175](#) [1714537](#) [1717806](#) [1719600](#)  
[1728941](#) [1734692](#) [1734795](#) [1736036](#) [1740194](#) [1740628](#) [1740990](#) [1746952](#) [1750207](#) [1752441](#) [1752865](#) [1754115](#) [1754144](#) [1756913](#)  
[1760051](#) [1760336](#)