

HDC CM BUS 2SS PBDP**Weidmüller Interface GmbH & Co. KG**

Klingenbergstraße 26

D-32758 Detmold

Germany

www.weidmueller.com



The Profibus-DP module with the T-connector function allows you to make repairs or replacements to devices in the field without interrupting the Fieldbus. You no longer need to shut down the Fieldbus system since field devices can easily be plugged in or disconnected (with plug-and-play functionality) during operations.

General ordering data

Version	Heavy-duty connectors, HDC insert, ConCept module
Order No.	1806060000
Type	HDC CM BUS 2SS PBDP
GTIN (EAN)	4032248275182
Qty.	5 pc(s).

Creation date September 16, 2022 12:03:34 PM CEST

Catalogue status 09.09.2022 / We reserve the right to make technical changes.

HDC CM BUS 2SS PBDP

Weidmüller Interface GmbH & Co. KG

Klingenbergstraße 26

D-32758 Detmold

Germany

www.weidmueller.com

Technical data

Dimensions and weights

Height	43 mm	Height (inches)	1.693 inch
Width	11.4 mm	Width (inches)	0.449 inch
Length	34 mm	Length (inches)	1.339 inch
Net weight	17.8 g		

Temperatures

Limit temperature	-20 °C ... 85 °C
-------------------	------------------

Environmental Product Compliance

REACH SVHC	Lead 7439-92-1, Potassium perfluorobutane sulfonate 29420-49-3	SCIP	e98b2b24- ba23-4 1bf-8d19-0dda3647412f
------------	--	------	---

ConCept Pneumatic module

Colour	beige
--------	-------

Dimensions

Height of plug	43 mm	Total length base	34 mm
Width	11.4 mm		

General data

Insulating material	PC glass-fibre reinforced (UL-listed and railway- certified)	Material	Polycarbonate
Number of poles	2	Rated current (DIN EN 61984)	1 A
Rated impulse voltage (DIN EN 61984)	0.8 kV	Rated voltage (DIN EN 61984)	32 V
Series	ConCept module	Type	Pin

Connection data PE

Tightening torque, max. PE connection	0.6 Nm	Tightening torque, min. PE connection	0.5 Nm
---------------------------------------	--------	---------------------------------------	--------

Version

Material	Polycarbonate	Stripping length, rated connection	5 mm
Type of connection	Screw connection	Wire connection cross section AWG, max.	AWG 16

Classifications

ETIM 6.0	EC002641	ETIM 7.0	EC002641
ETIM 8.0	EC002641	ECLASS 9.0	27-44-03-12
ECLASS 9.1	27-44-02-18	ECLASS 10.0	27-44-03-12
ECLASS 11.0	27-44-03-12	ECLASS 12.0	27-44-03-12

HDC CM BUS 2SS PBDP

Weidmüller Interface GmbH & Co. KG
Klingenbergstraße 26
D-32758 Detmold
Germany

www.weidmueller.com

Technical data

Approvals

Approvals



ROHS

Conform

Downloads

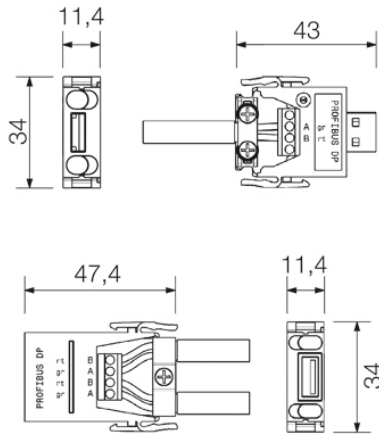
Engineering Data	CAD data – STEP
Engineering Data	EPLAN, WSCAD, Zuken E3.S
Catalogues	Catalogues in PDF-format
Brochures	FL FIELDWIRING EN

HDC CM BUS 2SS PBDP

Weidmüller Interface GmbH & Co. KG
Klingenbergstraße 26
D-32758 Detmold
Germany

www.weidmueller.com

Drawings



X-ON Electronics

Largest Supplier of Electrical and Electronic Components

Click to view similar products for [Heavy Duty Power Connectors](#) category:

Click to view products by [Weidmuller](#) manufacturer:

Other Similar products are found below :

[6646058-2](#) [6646137-1](#) [6646138-1](#) [6646940-1](#) [6651091-1](#) [6651525-1](#) [6651529-1](#) [696475-1](#) [702-32-01109](#) [73080255059](#) [73080965046](#)
[7310205040001](#) [765-16-0080B](#) [765-18-0080D](#) [902-77-02113](#) [PS00/A0620/6300](#) [AN0024023](#) [154-42B7WM250](#) [MS3117-14AC](#) [1643543-1](#)
[1766966-1](#) [1791340000](#) [NLDFT-3-BL-L-S120-M40A](#) [NLDFT-N-W-L-C240-M40B](#) [1926015-1](#) [NLS-3-BL-C240-M40B](#) [NLS-N-W-C240-](#)
[M40B](#) [NPS-3-BL-T6](#) [2-1589900-8](#) [9300480317](#) [294-0091-01100](#) [296-0040-01100](#) [1-6609148-0](#) [A32595-0049](#) [1766249-1](#) [19000005132](#)
[1926016-1](#) [1-966831-8](#) [AN0024202](#) [AN0264023](#) [279-0841-10100A](#) [281-0334-00100A](#) [RMSB4](#) [419-2083-301](#) [LCDX4/0-14B-X](#) [075-8519-](#)
[001](#) [078238-1613](#) [07.470.3256.0](#) [09000005288](#) [09140240311](#)