

Datasheet

WPDB Power Distribution Blocks



Now you can manage multiple load connections and a wide range of wire sizes with Weidmüller's Power Distribution blocks. By using the best materials and the best technology, Weidmüller provides the safest and most innovative connections available in a wide area of industrial applications, including; machinery, material handling, building/installation and power conditioning.

These DIN-rail mountable blocks combine installed cost savings over traditional methods, high short-circuit protection, and application flexibility. Weidmüller's Power Distribution Blocks deliver power and performance – without compromising safety requirements.

- Space-saving design
- For use with a wide range of wire sizes
- SCCR rated* (UL 508-A, 200kA)
- IEC finger-safe design
- IP20 class protection
- For DIN-rail or direct mounting

*when used with fuses



Weidmüller, Canada

10 Spy Court
Markham, Ontario L3R 5H6
Telephone: (800) 268-4080
Facsimile: (877) 300-5635
Email: info1@weidmuller.ca
Website: www.weidmuller.ca

Weidmüller, Mexico

Blvd. Hermanos Serdán 698,
Col. San Rafael Oriente
Puebla, Puebla, Mexico
C.P. 72029
Telephone: 01 222 2686267
Facsimile: 01 222 2686219
Email: clientes@weidmuller.com.mx
Website: www.weidmuller.com.mx

Weidmüller, United States

821 Southlake Blvd.
Richmond, Virginia 23236
Telephone: (800) 849-9343
Facsimile: (804) 379-2593
Email: info@weidmuller.com
Website: www.weidmuller.com

WPDB 70 1-1
WPDB 70 1-1 AL



WPDB 70/35 1-4
WPDB 70/35 1-4 AL



WPDB 185 1-1
WPDB 185 1-1 AL



Technical data

Housing material	PA 66/6	PA 66/6	PA 66/6
Flammability class	UL 94 V0	UL 94 V0	UL 94 V0
Conductor	WPDB 70 1-1: Copper (75°C Cu wire only) WPDB 70 1-1 AL: Aluminum (90°C Cu/Al wire)	WPDB 70/35 1-4: Copper (75°C Cu wire only) WPDB 70/35 1-4 AL: Aluminum (90°C Cu/Al wire)	WPDB 185 1-1: Copper (75°C Cu wire only) WPDB 185 1-1 AL: Aluminum (90°C Cu/Al wire)
Contact material	WPDB 70 1-1: Copper WPDB 70 1-1 AL: Aluminum	WPDB 70/35 1-4: Copper WPDB 70/35 1-4 AL: Aluminum	WPDB 185 1-1: Copper WPDB 185 1-1 AL: Aluminum
Contact plating	Zinc	Zinc	Zinc
Current Rating			
UL/CSA	175A at 600V	175A at 600V	335A at 600V
Line			
Wire gauge, kcmil/AWG	2/0...#14	2/0...#14	400...#6
Wire gauge, mm ²	70...2.5	70...2.5	185...16
Number of poles	1	1	1
Load			
Wire gauge, kcmil/AWG	2/0...#14	#2...#14	400...#6
Wire gauge, mm ²	70...2.5	35...2.5	185...16
Number of poles	1	4	1
Operating Specifications			
Maximum temperature	100°C	100°C	100°C
Operating range	-10°C...+60°C	-10°C...+60°C	-10°C...+60°C
Storage temperature	-25°C...+60°C	-25°C...+60°C	-25°C...+60°C
Notes			

Ordering data

	Type	Part No.	Type	Part No.	Type	Part No.
	WPDB 70 1-1	1879470000	WPDB 70/35 1-4	1879360000	WPDB 185 1-1	1879410000
	WPDB 70 1-1 AL	1879460000	WPDB 70/35 1-4 AL	1879480000	WPDB 185 1-1 AL	1879400000
Notes						

Accessories

	Type	Part No.	Type	Part No.	Type	Part No.
	SK WSD-S (1.5-10mm 9 piece set, Allen head screwdrivers)	9008850000	SK WSD-S (1.5-10mm 9 piece set, Allen head screwdrivers)	9008850000	SK WSD-S (1.5-10mm 9 piece set, Allen head screwdrivers)	9008850000
	SST WPDB (Accessory pin for fixing multi-pole block assemblies)	1879490000	SST WPDB (Accessory pin for fixing multi-pole block assemblies)	1879490000	SST WPDB (Accessory pin for fixing multi-pole block assemblies)	1879490000
	WEW 35/3 (Pair of end brackets)	1879390000	WEW 35/3 (Pair of end brackets)	1879390000	WEW 35/3 (Pair of end brackets)	1879390000
	VK WPDB 1 (Cap for spare 2/0 line connections)	1879370000	VK WPDB 1 (Cap for spare 2/0 line connections)	1879370000	VK WPDB 1 (Cap for spare 2/0 line connections)	1879370000
	VK WPDB 2 (Cap for spare 350 kcmil line connections)	1879380000	VK WPDB 2 (Cap for spare 350 kcmil line connections)	1879380000	VK WPDB 2 (Cap for spare 350 kcmil line connections)	1879380000
Notes						

Marking Tags

	Type	Part No.	Type	Part No.	Type	Part No.
	KSW Strips, blank**	1629970000	KSW Strips, blank**	1629970000	KSW Strips, blank**	1629970000
	*Based on NEC table 310-16 for 75°C copper wire **Pre-printed strips standard with product. Custom strips also available.		*Based on NEC table 310-16 for 75°C copper wire **Pre-printed strips standard with product. Custom strips also available.		*Based on NEC table 310-16 for 75°C copper wire **Pre-printed strips standard with product. Custom strips also available.	
Notes						

WPDB 185/35 1-8
WPDB 185/35 1-8 AL

WPDB 300 2-2
WPDB 300 2-2 AL



Technical data

Housing material
Flammability class
Conductor
Contact material
Contact plating
Current Rating
UL/CSA*
Line
Wire gauge, kcmil/AWG
Wire gauge, mm ²
Number of poles
Load
Wire gauge, kcmil/AWG
Wire gauge, mm ²
Number of poles
Operating Specifications
Maximum temperature
Operating range
Storage temperature
Notes

PA 66/6
UL 94 V0
WPDB 185/35 1-8: Copper (75°C Cu wire only) WPDB 185/35 1-8 AL: Aluminum (90°C Cu/Al wire)
WPDB 185/35 1-8: Copper WPDB 185/35 1-8 AL: Aluminum
Zinc
310 A at 600 V
350...#6 / 2/0...#14
185...16 / 70...2.5
1
#2...#14
35...2.5
8
100°C
-10°C...+60°C
-25°C...+60°C

PA 66/6
UL 94 V0
WPDB 300 2-2: Copper (75°C Cu wire only) WPDB 300 2-2 AL: Aluminum (90°C Cu/Al wire)
WPDB 300 2-2: Copper WPDB 300 2-2 AL: Aluminum
Zinc
840 A at 600 V
600...#4
300...25
2
600...#4
300...25
2
100°C
-10°C...+60°C
-25°C...+60°C

Ordering data

Type	Part No.
WPDB 185/35 1-8	1879430000
WPDB 185/35 1-8 AL	1879420000
Notes	

Type	Part No.
WPDB 300 2-2	1879450000
WPDB 300 2-2 AL	1879440000

Type	Part No.
WPDB 300 2-2	1879450000
WPDB 300 2-2 AL	1879440000

Accessories

Type	Part No.
SK WSD-S (1.5-10 mm 9 piece set, Allen head screwdrivers)	9008850000
SST WPDB (Accessory pin for fixing multi-pole block assemblies)	1879490000
WEW 35/3 (Pair of end brackets)	1879390000
VK WPDB 1 (Cap for spare 2/0 line connections)	1879370000
VK WPDB 2 (Cap for spare 350 kcmil line connections)	1879380000
Notes	

Type	Part No.
SK WSD-S (1.5-10 mm 9 piece set, Allen head screwdrivers)	9008850000
SST WPDB (Accessory pin for fixing multi-pole block assemblies)	1879490000
WEW 35/3 (Pair of end brackets)	1879390000
VK WPDB 2 (Cap for spare 600 kcmil line connections)	1880060000

Type	Part No.
SK WSD-S (1.5-10 mm 9 piece set, Allen head screwdrivers)	9008850000
SST WPDB (Accessory pin for fixing multi-pole block assemblies)	1879490000
WEW 35/3 (Pair of end brackets)	1879390000
VK WPDB 2 (Cap for spare 350 kcmil line connections)	1879380000
VK WPDB 3 (Cap for spare 600 kcmil line connections)	1880060000

Marking Tags

Type	Part No.
KSW Strips, blank**	1629970000
Notes	

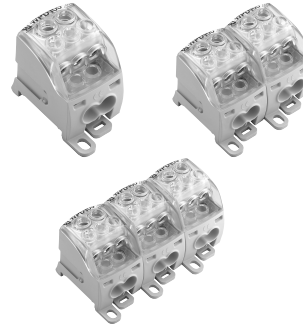
Type	Part No.
KSW Strips, blank**	1629970000
*Based on NEC table 310-16 for 75°C copper wire **Pre-printed strips standard with product. Custom strips also available.	

Type	Part No.
KSW Strips, blank**	1629970000
*Based on NEC table 310-16 for 75°C copper wire **Pre-printed strips standard with product. Custom strips also available.	

WPD 104



WPD 105



WPD 106



Technical data

Technical data	
Width x Height x Depth (mm/in.)*	41.6 x 50.4 x 74.5 / 1.64" x 2" x 2.94"
Housing Material (Body/Cover)	Polyamid PA 6/Polycarbonate
Flammability Class	UL 94-V0
Conductor	Copper (72°C CU wire only)
Contact Material	Brass, (screws - Steel)
Contact Plating	Zinc - passivation
Electrical Ratings	
UL	85A at 600V
CSA	85A at 600V
VDE	101A/690VAC/1,000VDC
UL 508A-SCCR Rating	100kA (G fuse) 200kA (J, T, RK22 RK 5 & CC fuse type)
Line (Input)	
Wire Gauge, AWG (Clamp)	14 - 4 AWG (Left), 16 - 6 AWG (Right)
Wire Gauge, mm ² (Clamp)	2.5 - 25mm ² (Left), 1.5 - 16mm ² (Right)
Number of Poles (Location)	2
Tightening Torque (Clamp Area)	2.5Nm
Insulation Strip Length (mm/in.)	19mm/.75"
Load (Output)	
Wire Gauge, AWG (Clamp)	16 - 8 AWG (Top), 16 - 6 AWG (Bottom)
Wire Gauge, mm ² (Clamp)	1.5 - 10mm ² (Top), 1.5 - 16mm ² (Bottom)
Number of Poles (Location)	5 (3-Top, 2-Bottom)
Tightening Torque (Clamp Area)	2Nm (Top), 2.5Nm (Bottom)
Insulation Strip Length (mm/in.)	12mm/.47" (Top), 14mm/.55" (Bottom)
Operation Specifications	
Maximum Temperature	130 C
Operating Range	-10°C...+60°C
Storage Temperature	-25°C...+60°C
Notes	

* Single pole dimensions

Technical data	
Width x Height x Depth (mm/in.)*	37.1 x 53.7 x 70 / 1.46" x 2.12" x 2.76"
Housing Material (Body/Cover)	Polyamid PA 6/Polycarbonate
Flammability Class	UL 94-V0
Conductor	Copper (72°C CU wire only)
Contact Material	Brass, (screws - Steel)
Contact Plating	Zinc - passivation
Electrical Ratings	
UL	115A at 600V
CSA	115A at 600V
VDE	125A/690VAC/1,000VDC
UL 508A-SCCR Rating	100kA (G fuse) 200kA (J, T, RK22 RK 5 & CC fuse type)
Line (Input)	
Wire Gauge, AWG (Clamp)	12 - 2 AWG (Left), 16 - 6 AWG (Right)
Wire Gauge, mm ² (Clamp)	4 - 35mm ² (Left), 1.5 - 16mm ² (Right)
Number of Poles (Location)	2
Tightening Torque (Clamp Area)	3.5Nm (Left), 2.5Nm (Right)
Insulation Strip Length (mm/in.)	19mm/.75"
Load (Output)	
Wire Gauge, AWG (Clamp)	16 - 6 AWG (Top), 14 - 4 AWG (Bottom)
Wire Gauge, mm ² (Clamp)	1.5 - 16mm ² (Top), 2.5 - 25mm ² (Bottom)
Number of Poles (Location)	5 (3-Top, 2-Bottom)
Tightening Torque (Clamp Area)	2.5Nm
Insulation Strip Length (mm/in.)	12mm/.47" (Top), 14mm/.55" (Bottom)
Operation Specifications	
Maximum Temperature	130 C
Operating Range	-10°C...+60°C
Storage Temperature	-25°C...+60°C
Notes	

Technical data	
Width x Height x Depth (mm/in.)*	41.6 x 50.4 x 74.5 / 1.64" x 2" x 2.94"
Housing Material (Body/Cover)	Polyamid PA 6/Polycarbonate
Flammability Class	UL 94-V0
Conductor	Copper (72°C CU wire only)
Contact Material	Brass, (screws - Steel)
Contact Plating	Zinc - passivation
Electrical Ratings	
UL	150A at 600V
CSA	150A at 600V
VDE	160A/690VAC/1,000VDC
UL 508A-SCCR Rating	100kA (G fuse) 200kA (J, T, RK22 RK 5 & CC fuse type)
Line (Input)	
Wire Gauge, AWG (Clamp)	8 - 2/0 AWG
Wire Gauge, mm ² (Clamp)	10 - 70mm ² (Top)
Number of Poles (Location)	2 (1 Bottom for flat conductor**)
Tightening Torque (Clamp Area)	10Nm (Mid.)/ 2Nm (Bottom flat)
Insulation Strip Length (mm/in.)	17mm/.65"
Load (Output)	
Wire Gauge, AWG (Clamp)	16 - 6 AWG (Top), 14 - 4 AWG (Bottom)
Wire Gauge, mm ² (Clamp)	1.5 - 16mm ² (Top), 2.5 - 25mm ² (Bottom)
Number of Poles (Location)	5 (3-Top, 2-Bottom)
Tightening Torque (Clamp Area)	2Nm
Insulation Strip Length (mm/in.)	12mm/.47" (Top), 12mm/.47" (Bottom)
Operation Specifications	
Maximum Temperature	130 C
Operating Range	-10°C...+60°C
Storage Temperature	-25°C...+60°C
Notes	

Technical data	
Width x Height x Depth (mm/in.)*	41.6 x 50.4 x 74.5 / 1.64" x 2" x 2.94"
Housing Material (Body/Cover)	Polyamid PA 6/Polycarbonate
Flammability Class	UL 94-V0
Conductor	Copper (72°C CU wire only)
Contact Material	Brass, (screws - Steel)
Contact Plating	Zinc - passivation
Electrical Ratings	
UL	150A at 600V
CSA	150A at 600V
VDE	160A/690VAC/1,000VDC
UL 508A-SCCR Rating	100kA (G fuse) 200kA (J, T, RK22 RK 5 & CC fuse type)
Line (Input)	
Wire Gauge, AWG (Clamp)	8 - 2/0 AWG
Wire Gauge, mm ² (Clamp)	10 - 70mm ² (Top)
Number of Poles (Location)	2 (1 Bottom for flat conductor**)
Tightening Torque (Clamp Area)	10Nm (Mid.)/ 2Nm (Bottom flat)
Insulation Strip Length (mm/in.)	17mm/.65"
Load (Output)	
Wire Gauge, AWG (Clamp)	16 - 6 AWG (Top), 14 - 4 AWG (Bottom)
Wire Gauge, mm ² (Clamp)	1.5 - 16mm ² (Top), 2.5 - 25mm ² (Bottom)
Number of Poles (Location)	5 (3-Top, 2-Bottom)
Tightening Torque (Clamp Area)	2Nm
Insulation Strip Length (mm/in.)	12mm/.47" (Top), 12mm/.47" (Bottom)
Operation Specifications	
Maximum Temperature	130 C
Operating Range	-10°C...+60°C
Storage Temperature	-25°C...+60°C
Notes	

**Flat cable spec. - 15.5mm x 5mm

Ordering data

Number of Poles	
1 Pole	WPD 104
2 Pole	WPD 204
3 Pole	WPD 304
Notes	

Type	Part No.
WPD 104	1562000000
WPD 204	1562150000
WPD 304	1562160000
Notes	

Type	Part No.
WPD 105	1562170000
WPD 205	1562180000
WPD 305	1562190000
Notes	

Type	Part No.
WPD 106	1562210000
-	-
-	-
Notes	

Accessories

Accessories	
2 Pole Jumpers	WQB - WPD 4/2
3 Pole Jumpers	WQB - WPD 4/3
Notes	

Type	Part No.
WQB - WPD 4/2	1561980000
WQB - WPD 4/3	1561990000
Notes	

Type	Part No.
WQB - WPD 5/2	1561960000
WQB - WPD 5/3	1561970000
Notes	

Type	Part No.
Notes	

Marking Tags

Marking Tags	
ESG 9/17 K MC, White, Blank	ESG 9/17 K MC, Blank
ESG 9/17 K MC, Spl. Prt. White	ESG 9/17 K MC, Spl. Prt.
Notes	

Type	Part No.
ESG 9/17 K MC, Blank	1674760000
ESG 9/17 K MC, Spl. Prt.	1674770000
Notes	

Type	Part No.
ESG 9/17 K MC, Blank	1674760000
ESG 9/17 K MC, Spl. Prt.	1674770000
Notes	

Type	Part No.
ESG 9/17 K MC, Blank	1674760000
ESG 9/17 K MC, Spl. Prt.	1674770000
Notes	

WPD 107



WPD 108



WPD 109



Technical data

Width x Height x Depth (mm/in.)*	41.6 x 50.4 x 74.5 / 1.64" x 2" x 2.94"	41.6 x 50.4 x 74.5 / 2.07" x 2.64" x 3.7"	41.6 x 50.4 x 74.5 / 1.64" x 2" x 2.94"
Housing Material (Body/Cover)	Polyamid PA 6/Polycarbonate	Polyamid PA 6/Polycarbonate	Polyamid PA 6/Polycarbonate
Flammability Class	UL 94-V0	UL 94-V0	UL 94-V0
Conductor	Copper (72°C CU wire only)	Copper (72°C CU wire only)	Copper (72°C CU wire only)
Contact Material	Brass, (screws - Steel)	Brass, (screws - Steel)	Brass, (screws - Steel)
Contact Plating	Zinc - passivation	Zinc - passivation	Zinc - passivation
Electrical Ratings			
UL	200A at 600V	250A at 600V	85A at 600V
CSA	200A at 600V	85A at 600V	85A at 600V
VDE	232A/690VAC/1,000VDC		
UL 508A-SCCR Rating	100kA (G fuse) 200kA (J, T, RK22 RK 5 & CC fuse type)	100kA (G fuse) 200kA (J, T, RK22 RK 5 & CC fuse type)	100kA (G fuse) 200kA (J, T, RK22 RK 5 & CC fuse type)
Line (Input)			
Wire Gauge, AWG (Clamp)	12 - 2 AWG (Left & Right), 6 - 3/0AWG (Mid)	2 - 250 MCM	3/0- 350 MCM
Wire Gauge, mm ² (Clamp)	3 (4 - 35mm ² Left/Right), 16 - 95mm ² (Mid)	35 - 120mm ² (Top)	95 - 185mm ² (Top)
Number of Poles (Location)	3	2 (1-Bottom for flat conductor***)	2 (1-Bottom for flat conductor***)
Tightening Torque (Clamp Area)	3.5Nm (Left & Right), 14Nm (Mid)	19Nm (Mid), 3Nm (Bottom flat)	19Nm (Mid), 3Nm (Bottom flat)
Insulation Strip Length (mm/in.)	12mm/.47" (Left & Right), 14mm/.55" (Mid)	27mm/1.06" (Mid), 22mm/.87" (Bottom)	27mm/1.06" (Mid), 22mm/.87" (Bottom)
Load (Output)			
Wire Gauge, AWG (Clamp)	14 - 4 AWG (Top & Bottom)	14 - 4 AWG (Top & Bottom) 16 - 6 AWG (Mid)	14 - 4 AWG (Top & Bottom) 16 - 6 AWG (Mid)
Wire Gauge, mm ² (Clamp)	2.5 - 25mm ²	2.5 - 25mm ²	2.5 - 25mm ²
Number of Poles (Location)	8 (4-Top, 4-Bottom)	9 (3-Top, 4-Mid, 2-Bottom)	9 (3-Top, 4-Mid, 2-Bottom)
Tightening Torque (Clamp Area)	2.5Nm	2Nm (Top/Mid), 2.5Nm (Bottom)	2 Nm (Top/Mid), 2.5Nm (Bottom)
Insulation Strip Length (mm/in.)	12mm/.47"	18mm/.71"	12mm/.47"
Operation Specifications			
Maximum Temperature	130 C	130 C	130 C
Operating Range	-10°C...+60°C	-10°C...+60°C	-10°C...+60°C
Storage Temperature	-25°C...+60°C	-25°C...+60°C	-25°C...+60°C
*Single pole dimensions		***Flat cable spec. - 24mm x 10mm	***Flat cable spec. - 24mm x 10mm

Ordering data

Number of Poles	Type	Part No.	Type	Part No.	Type	Part No.
1 Pole	WPD 107	1562220000	WPD 108	1562100000	WPD 109	1562090000
2 Pole	-		-		-	
3 Pole	-		-		-	
Notes						

Marking Tags

Type	Part No.	Type	Part No.	Type	Part No.
ESG 9/17 K MC, White, Blank	ESG 9/17 K MC, Blank 1674760000	ESG 9/17 K MC, Blank	1674760000	ESG 9/17 K MC, Blank	1674760000
ESG 9/17 K MC, Spl. Prt. White	ESG 9/17 K MC, Spl. Prt. 1674770000	ESG 9/17 K MC, Spl. Prt.	1674770000	ESG 9/17 K MC, Spl. Prt.	1674770000
Notes					

Tightening Torque Table

With recommended strip back lengths to maintain IP20 rating

Part No.	Product Description	Wire Hole Range	Wire Strip Back Length	Hex Driver Size	Wire Size*	Torque**
1879460000 1879470000	WPDB 70 1-1 AL WPDB 70 1-1	2/0...#14 AWG (70...2.5 mm ²)	0.75 in (19.1 mm)	5 mm	2/0...#1 AWG (70...50 mm ²)	100 lbs-in (11.4 N-m)
					#2...#6 AWG (35...16 mm ²)	80 lbs-in (9 N-m)
					#8...#14 AWG (10...2.5 mm ²)	35 lbs-in (3.9 N-m)
1879480000 1879360000	WPDB 70/35 1-4 AL WPDB 70/35 1-4	2/0...#14 AWG (70...2.5 mm ²)	1 in (25.4 mm)	5 mm	2/0...#1 AWG (70...50 mm ²)	100 lbs-in (11.4 N-m)
					#2...#6 AWG (35...16 mm ²)	80 lbs-in (9 N-m)
		#2...#14 AWG (35...2.5 mm ²)	0.625 in (15.9 mm)	4 mm	#2...#6 AWG (35...16 mm ²)	80 lbs-in (9 N-m)
					#8...#14 AWG (10...2.5 mm ²)	35 lbs-in (3.9 N-m)
1879420000 1879430000	WPDB 185/35 1-8 AL WPDB 185/35 1-8	350...#6 AWG (35...2.5 mm ²)	1.125 in (28.5 mm)	8 mm	350 kcmil...3/0 AWG (185...95 mm ²)	200 lbs-in (22.6 N-m)
					2/0...#1 AWG (70...50 mm ²)	100 lbs-in (11.4 N-m)
					#2...#6 AWG (35...16 mm ²)	80 lbs-in (9 N-m)
		2/0...#14 AWG (70...2.5 mm ²)	0.875 in (22.2 mm)	5 mm	2/0...#1 AWG (70...50 mm ²)	100 lbs-in (11.4 N-m)
					#2...#6 AWG (35...16 mm ²)	80 lbs-in (9 N-m)
					#8...#14 AWG (10...2.5 mm ²)	35 lbs-in (3.9 N-m)
#2...#14 AWG (35...2.5 mm ²)	0.875 in (22.2 mm)	4 mm	#2...#6 AWG*** (35...16 mm ²)	80 lbs-in*** (9 N-m)		
			#8...#14 AWG (10...2.5 mm ²)	35 lbs-in (3.9 N-m)		
1879400000 1879410000	WPDB 185 1-1 AL WPDB 185 1-1	400...#6 AWG (185...16 mm ²)	1.3 in (33 mm)	10 mm	400 kcmil...00 AWG (185...70 mm ²)	220 lbs-in (24.9 N-m)
					0...#2 AWG (50...35 mm ²)	170 lbs-in (19.2 N-m)
					#3...#6 AWG (25...16 mm ²)	130 lbs-in (14.7 N-m)
1879440000 1879450000	WPDB 300 2-2 AL WPDB 300 2-2	600...#4 AWG (300...25 mm ²)	1.3 in (33 mm)	10 mm	600...500 kcmil AWG (300...240 mm ²)	310 lbs-in (35.1 N-m)
					400 kcmil...00 AWG (185...70 mm ²)	220 lbs-in (24.9 N-m)
					0...#2 AWG (50...35 mm ²)	170 lbs-in (19.2 N-m)
					#3...#4 AWG (25 mm ²)	130 lbs-in (14.7 N-m)

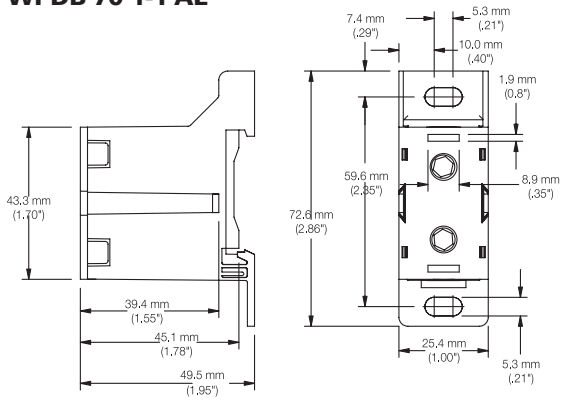
*Wire sizes based on AWG/kcmil standards with closest commercially available mm size.

**Torque values -0, +10%.

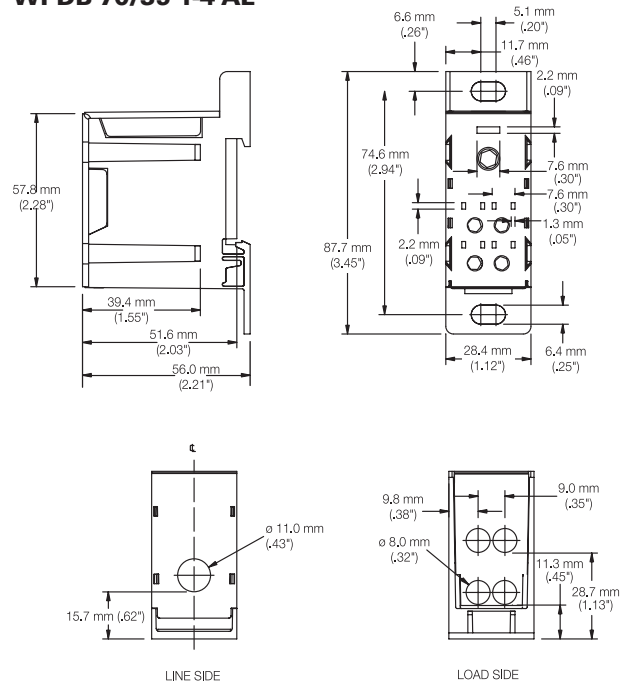
***Applies only to part number 1879420000 WPDB 185/35 1-8 AL.

WPDB Housing Dimensions

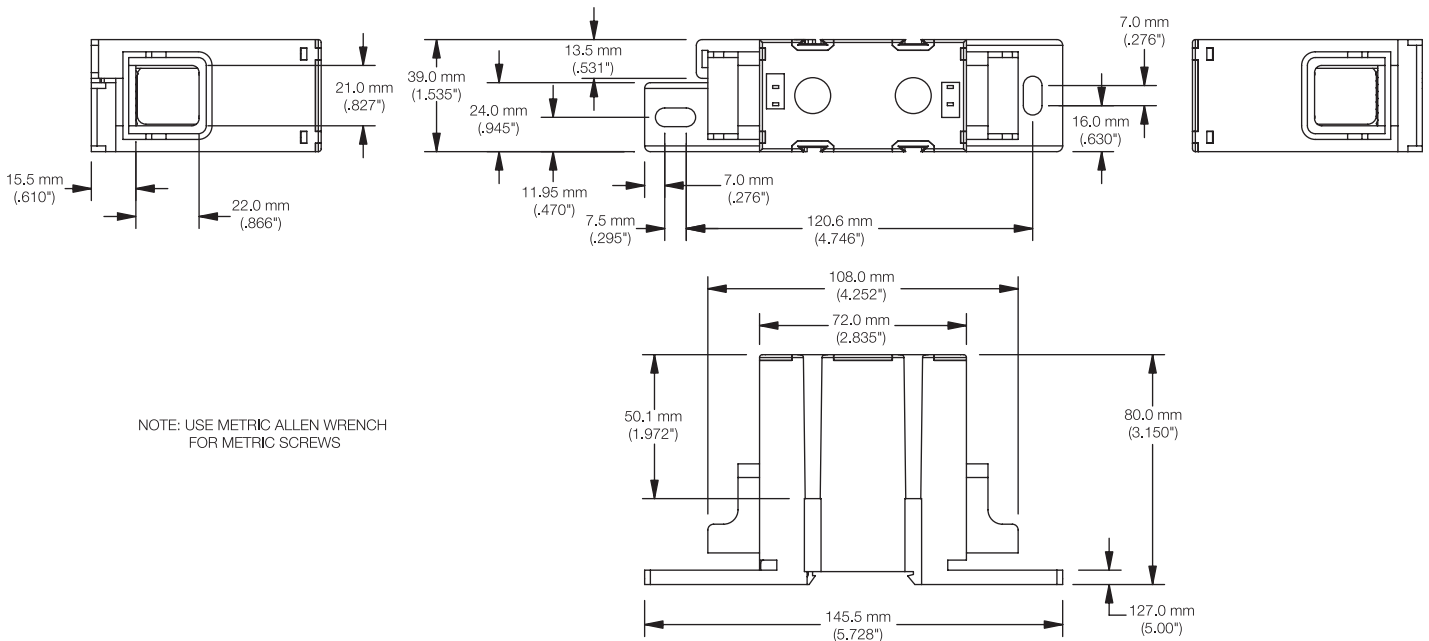
WPDB 70 1-1
WPDB 70 1-1 AL



WPDB 70/35 1-4
WPDB 70/35 1-4 AL

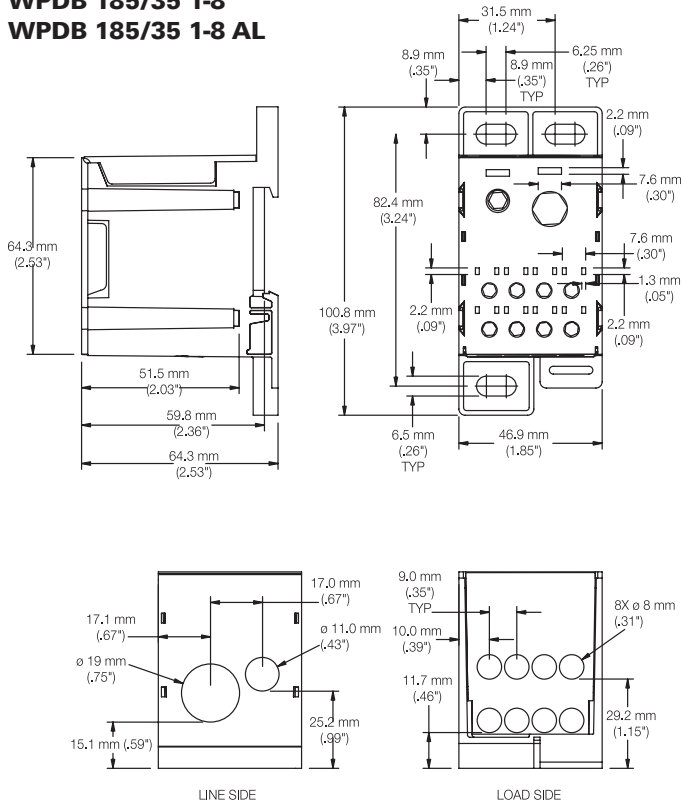


WPDB 185 1-1
WPDB 185 1-1 AL

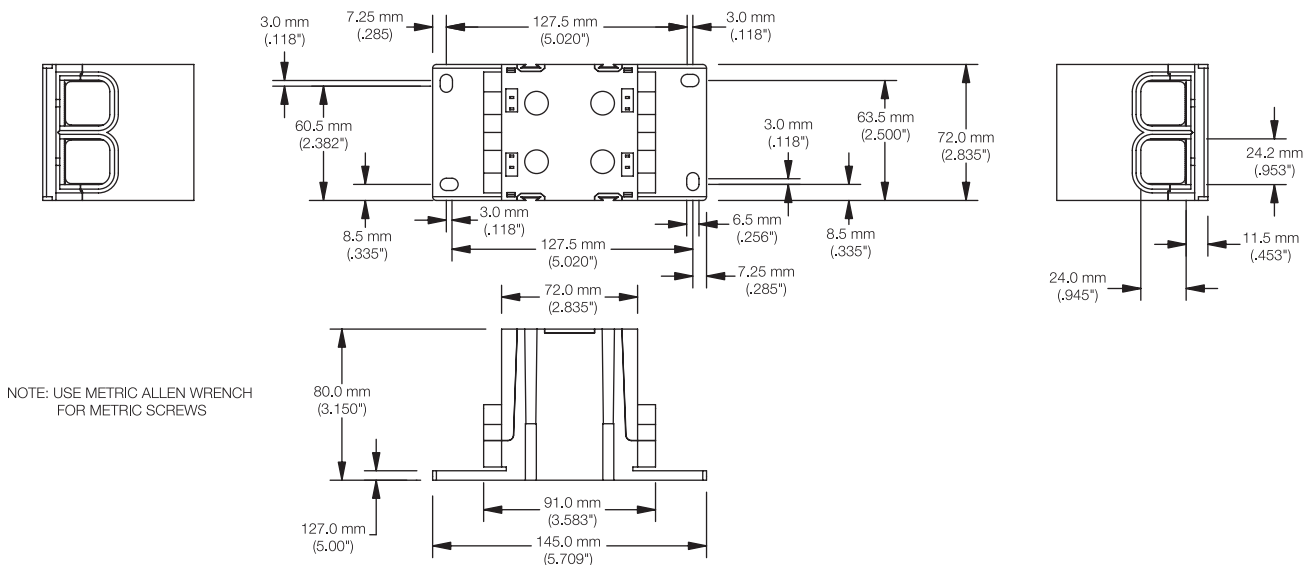


WPDB Housing Dimensions

WPDB 185/35 1-8 WPDB 185/35 1-8 AL



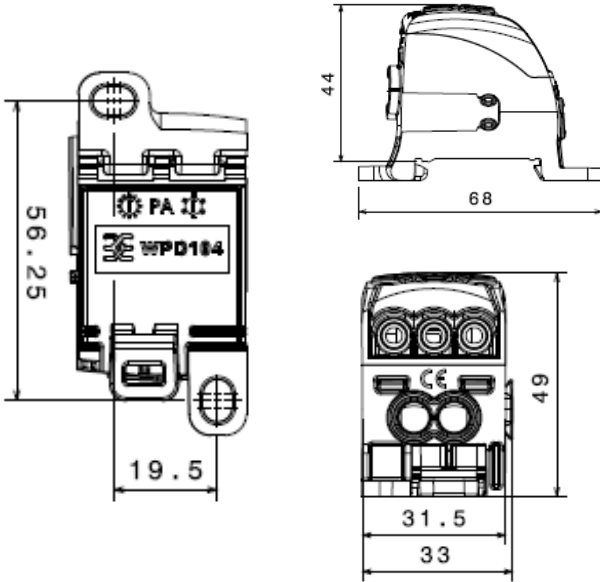
WPDB 300 2-2 WPDB 300 2-2 AL



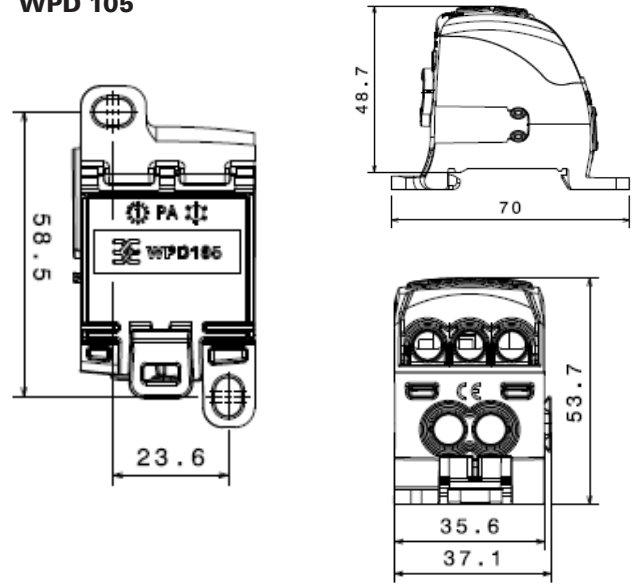
NOTE: USE METRIC ALLEN WRENCH FOR METRIC SCREWS

WPD Housing Dimensions

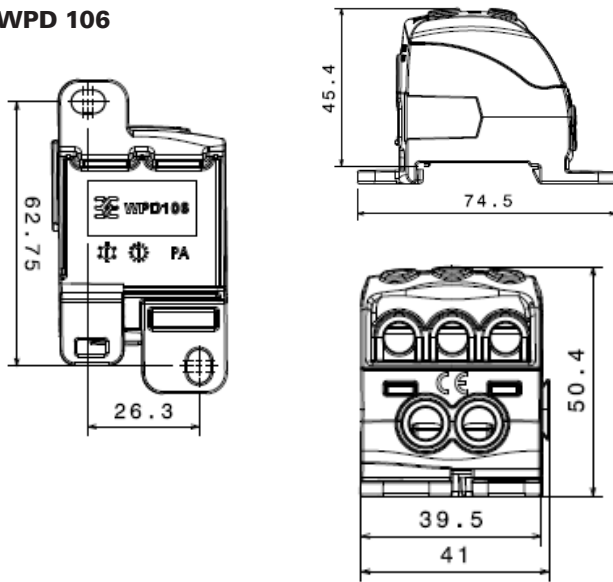
WPD 104



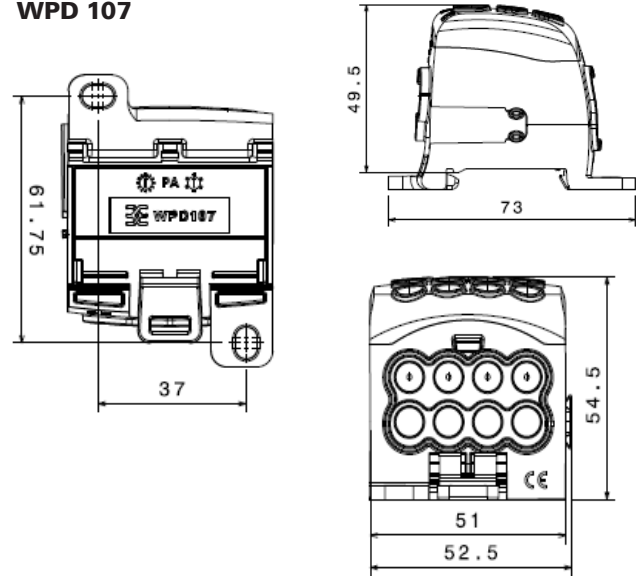
WPD 105



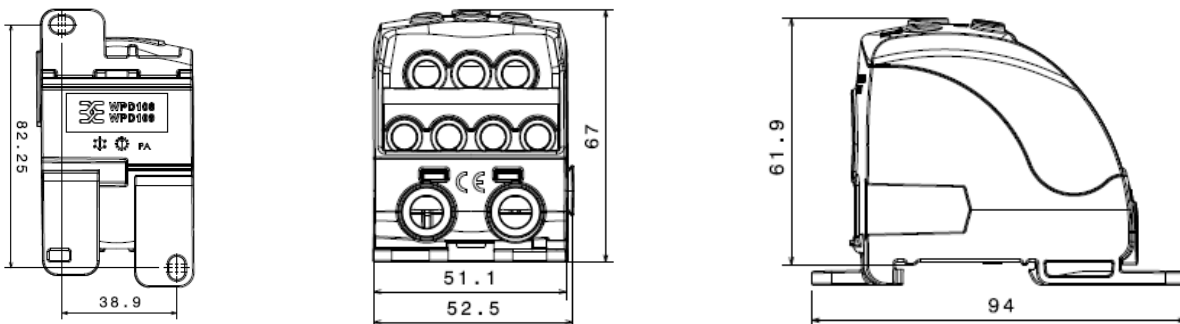
WPD 106



WPD 107

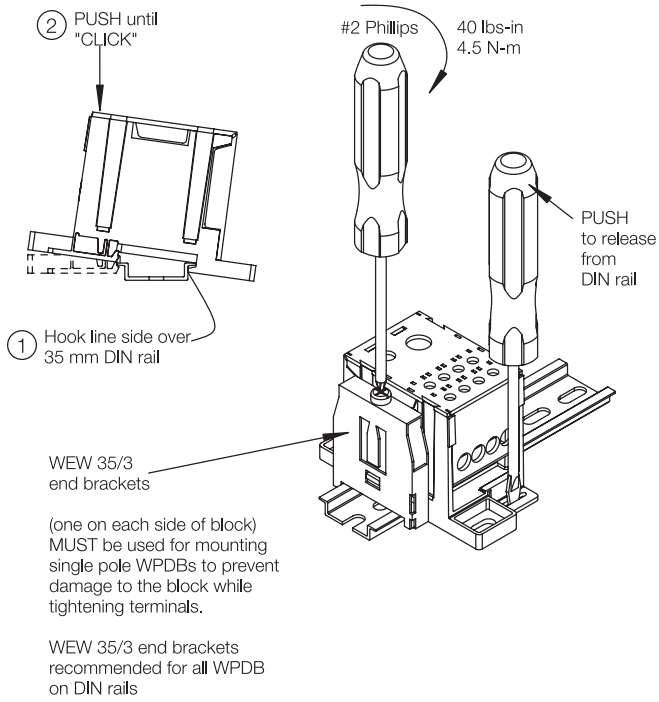


WPD 108 /109

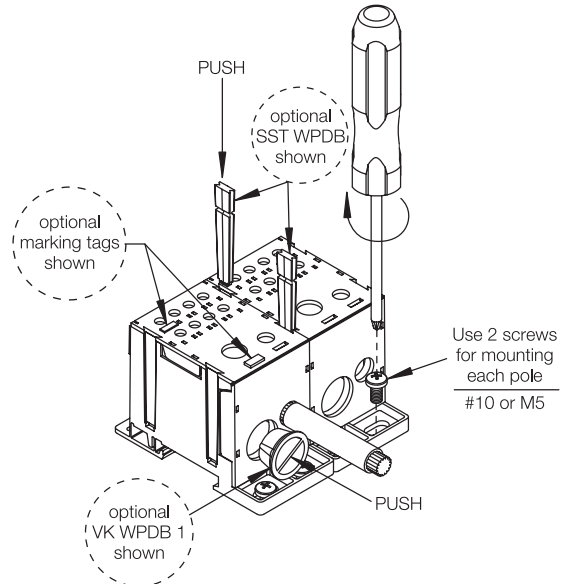


Mounting Instructions (WPDB)

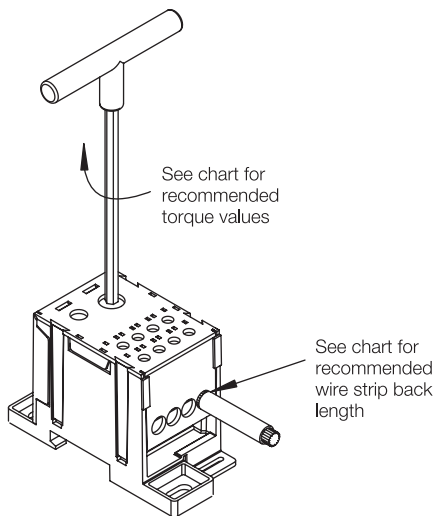
DIN-rail Mounting



Panel Mounting



Wire Termination



X-ON Electronics

Largest Supplier of Electrical and Electronic Components

Click to view similar products for [DIN Rail Terminal Blocks](#) category:

Click to view products by [Weidmuller](#) manufacturer:

Other Similar products are found below :

[00110420202](#) [00175550302](#) [8WA1011-1BH23](#) [91.040](#) [9123140000](#) [RBO 5-T-B-HEX](#) [1333564](#) [1431306](#) [HSL-TB64-DIN](#) [90.070](#) [90.202](#)
[912314](#) [260-301_NR](#) [280-560](#) [280-564](#) [281-611/281-542](#) [281-673/281-411](#) [281-994](#) [283-317](#) [283-607](#) [264-724](#) [264-726](#) [280-530](#) [280-555](#)
[280-619](#) [281-610](#) [281-622/281-417](#) [284-317](#) [2907033](#) [35956](#) [USK 10](#) [102510](#) [5520682](#) [EMH 25-ZE30](#) [1SNK706410R0000](#)
[1SNK705210R0000](#) [1SNK705151R0000](#) [1SNK705020R0000](#) [1SNK506066R0000](#) [1SNK506061R0000](#) [1SNK506012R0000](#)
[1SNK505065R0000](#) [1SNK505060R0000](#) [UM 45-SEFE M.NUT BK](#) [1SNK505062R0000](#) [1SNK506013R0000](#) [1SNK506030R0000](#)
[1SNK506062R0000](#) [1SNK506065R0000](#) [1SNK508062R0000](#)