

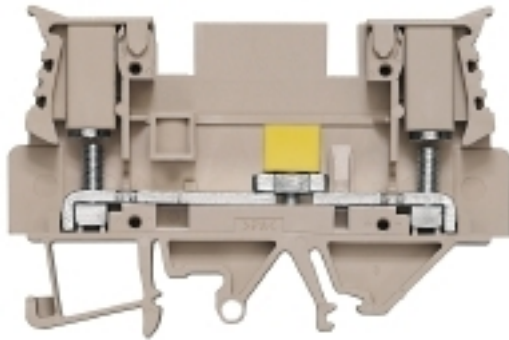
WTL 6/4 FF**Weidmüller Interface GmbH & Co. KG**

Klingenbergstraße 26

D-32758 Detmold

Germany

www.weidmueller.com

Product image**Current and voltage transformer wiring**

Our test disconnect terminal blocks featuring spring and screw connection technology allow you to create all the important converter circuits for measuring current, voltage and power in a safe and sophisticated way.

General ordering data

| | |
|------------|--|
| Version | Test-disconnect terminal, Screw connection, 6 mm ² , 800 V, 41 A, sliding, dark beige |
| Order No. | 1887210000 |
| Type | WTL 6/4 FF |
| GTIN (EAN) | 4032248526796 |
| Qty. | 50 pc(s). |

Creation date September 16, 2022 9:00:14 PM CEST

Catalogue status 09.09.2022 / We reserve the right to make technical changes.

WTL 6/4 FF

Weidmüller Interface GmbH & Co. KG

Klingenbergstraße 26

D-32758 Detmold

Germany

www.weidmueller.com

Technical data

Dimensions and weights

| | | | |
|--------------------------|------------|----------------|------------|
| Depth | 52 mm | Depth (inches) | 2.047 inch |
| Depth including DIN rail | 53.4 mm | Height | 76.5 mm |
| Height (inches) | 3.012 inch | Width | 11 mm |
| Width (inches) | 0.433 inch | Net weight | 40.58 g |

Temperatures

| | | | |
|----------------------------------|----------------|----------------------------------|--------|
| Storage temperature | -25 °C...55 °C | Continuous operating temp., min. | -50 °C |
| Continuous operating temp., max. | 120 °C | | |

Material data

| | | | |
|---------------------------|-------|--------|------------|
| Material | Wemid | Colour | dark beige |
| UL 94 flammability rating | V-0 | | |

System specifications

| | | | |
|-------------------------------------|--|-------------------------------|-----|
| Version | Screw connection, Spacer, for plug-in cross-connector, for screwable cross-connection, One end without connector | End cover plate required | Yes |
| Number of potentials | 1 | Number of levels | 1 |
| Number of clamping points per level | 2 | Number of potentials per tier | 1 |
| Levels cross-connected internally | No | PE connection | No |
| Rail | TS 35 | N-function | No |
| PE function | No | PEN function | No |

Additional technical data

| | |
|------------------|---------|
| Type of mounting | Snap-on |
|------------------|---------|

CSA rating data

| | | | |
|-----------------------------------|----------------|-----------------------------------|--------|
| Certificate number (cCSAus) | 227775-1609344 | Current size B (cCSAus) | 40 A |
| Current size C (cCSAus) | 40 A | Current size D (cCSAus) | 40 A |
| Voltage size B (cCSAus) | 600 V | Voltage size C (cCSAus) | 600 V |
| Voltage size D (cCSAus) | 600 V | Wire cross section max. (cCSAusX) | 10 AWG |
| Wire cross section min. (cCSAusX) | 26 AWG | | |

Conductors for clamping (rated connection)

| | | | |
|--|---------------------|--|-------------------|
| Blade size | 0.8 x 5.5 mm | Clamping range, max. | 6 mm ² |
| Clamping range, min. | 0.5 mm ² | Clamping screw | M 4 |
| Connection direction | on side | Number of connections | 2 |
| Tightening torque, max. | 2.4 Nm | Tightening torque, min. | 1.2 Nm |
| Type of connection | Screw connection | Wire connection cross section, finely stranded, max. | 6 mm ² |
| Wire connection cross section, finely stranded, min. | 1.5 mm ² | | |

Dimensions

| | |
|--------------|---------|
| TS 35 offset | 38.5 mm |
|--------------|---------|

WTL 6/4 FF

Weidmüller Interface GmbH & Co. KG

Klingenbergstraße 26

D-32758 Detmold

Germany

www.weidmueller.com

Technical data

Disconnect terminals

| | | | |
|-----------------------------|---------|-----------------------------|------|
| Cross-disconnect | without | Integral test socket | No |
| Slitting | sliding | Torque max. screw separator | 1 Nm |
| Torque min. screw separator | 0.5 Nm | | |

General

| | |
|------|-------|
| Rail | TS 35 |
|------|-------|

Rating data

| | | | |
|--|-------------------|---------------------------------|-------|
| Rated cross-section | 6 mm ² | Rated voltage | 800 V |
| Rated current | 41 A | Current at maximum wires | 41 A |
| Volume resistance according to IEC 60947-7-x | 0.78 mΩ | Rated impulse withstand voltage | 8 kV |
| Power loss in accordance with IEC 60947-7-x | 1.31 W | Pollution severity | 3 |

UL rating data

| | | | |
|--|--------|--|--------|
| Certificate No. (cURus) | E60693 | Conductor size Factory wiring max. (cURus) | 10 AWG |
| Conductor size Factory wiring min. (cURus) | 26 AWG | Conductor size Field wiring max. (cURus) | 10 AWG |
| Conductor size Field wiring min. (cURus) | 26 AWG | Current size B (cURus) | 30 A |
| Current size C (cURus) | 30 A | Voltage size B (cURus) | 600 V |
| Voltage size C (cURus) | 600 V | | |

Classifications

| | | | |
|-------------|-------------|-------------|-------------|
| ETIM 6.0 | EC000902 | ETIM 7.0 | EC000902 |
| ETIM 8.0 | EC000902 | ECLASS 9.0 | 27-14-11-26 |
| ECLASS 9.1 | 27-14-11-26 | ECLASS 10.0 | 27-14-11-26 |
| ECLASS 11.0 | 27-14-11-26 | ECLASS 12.0 | 27-14-11-26 |

Approvals

Approvals



| | |
|-------------------------|------------|
| ROHS | Conform |
| UL File Number Search | UL Website |
| Certificate No. (cURus) | E60693 |

WTL 6/4 FF

Weidmüller Interface GmbH & Co. KG
Klingenbergstraße 26
D-32758 Detmold
Germany

www.weidmueller.com

Technical data**Downloads**

| | |
|---|--|
| Approval/Certificate/Document of Conformity | CB Test Certificate CB Certificate EAC certificate CE Declaration of Conformity CE Declaration of Conformity all terminals UKCA Declaration of Conformity |
| Engineering Data | CAD data – STEP |
| Engineering Data | EPLAN, WSCAD |
| User Documentation | StorageConditionsTerminalBlocks |
| Catalogues | Catalogues in PDF-format |
| Brochures | |

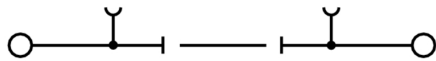
Data sheet

WTL 6/4 FF

Weidmüller Interface GmbH & Co. KG
Klingenbergstraße 26
D-32758 Detmold
Germany

www.weidmueller.com

Drawings



X-ON Electronics

Largest Supplier of Electrical and Electronic Components

Click to view similar products for [DIN Rail Terminal Blocks](#) category:

Click to view products by [Weidmuller](#) manufacturer:

Other Similar products are found below :

[00110420202](#) [00175550302](#) [8WA1011-1BH23](#) [8WA1011-1EF20](#) [91.040](#) [9123140000](#) [RBO 5-T-B-HEX](#) [1333564](#) [DP25-GY-ND](#) [1431306](#)
[HSL-TB64-DIN](#) [90.070](#) [90.202](#) [912314](#) [260-301_NR](#) [2757571](#) [280-331](#) [280-560](#) [280-564](#) [281-611/281-542](#) [281-673/281-411](#) [281-994](#)
[283-317](#) [283-607](#) [2948995](#) [264-724](#) [264-726](#) [280-530](#) [280-555](#) [280-619](#) [281-610](#) [281-622/281-417](#) [284-317](#) [284-601](#) [2907033](#) [5542152](#)
[35956](#) [USK 10](#) [102510](#) [5520682](#) [5607102](#) [EMH 25-ZE30](#) [591620-2](#) [UM 45-SEFE M.NUT BK](#) [1-591651-1](#) [8671050000](#) [264-706](#) [280-575](#)
[281-664](#) [592814-1](#)