

RockStar® Housings IP65 / NEMA Type 4X

End locking, lower side

Size 2

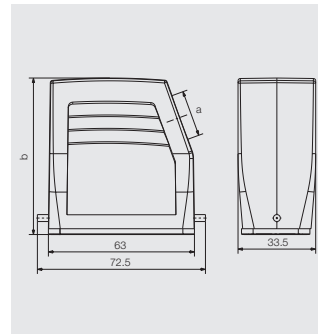
Hood



Hood, Cable Entry sideways



a	Version	Cover	b (mm)	Designation	Order No.
M20	with thread		68	HDC 15A TSLU 1M20G	1788860000
M25	with thread		68	HDC 15A TSLU 1M25G	1788850000
PG 16	with thread		54	HDC 10A TSLU 1PG16G	1663810000
PG 16	with thread		68	HDC 15A TSLU 1PG16G	1663850000
PG 21	with thread		68	HDC 15A TSLU 1PG21G	1663870000

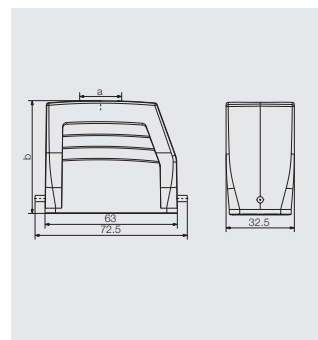


D

Hood, Cable Entry at top



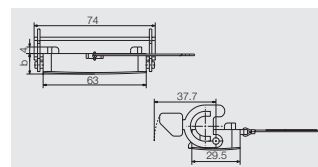
a	Version	Cover	b (mm)	Designation	Order No.
M20	with thread		54	HDC 10A TOLU 1M20G	1788620000
M25	with thread		54	HDC 10A TOLU 1M25G	1788610000
PG 16	with thread		54	HDC 10A TOLU 1PG16G	1663930000
PG 21	with thread		68	HDC 15A TOLU 1PG21G	1663990000



Cover



Version	Designation	Order No.
for hoods	HDC 10A DODL 1LB	1665890000



End locking, lower side

Size 2

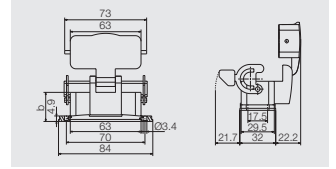


Base

Bulkhead housing



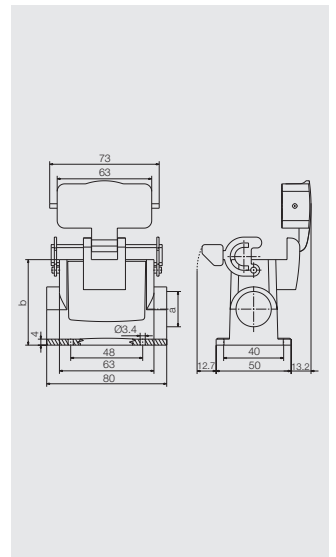
Version	Cover	b (mm)	Designation	Order No.
	with cover	37.5	HDC 10A ADLU	1664060000
	without cover	25	HDC 10A ALU	1664040000



Base housing



a	Version	Cover	b (mm)	Designation	Order No.
M20	with thread	without cover	57	HDC 10A SLU 1M20G	1901100000
M20	with thread	with cover	69.5	HDC 10A SDLU 1M20G	1901010000
M20	with thread	without cover	57	HDC 10A SLU 2M20G	1788640000
M20	with thread	with cover	69.5	HDC 10A SDLU 2M20G	1788660000
M25	with thread	without cover	57	HDC 10A SLU 1M25G	1901160000
M25	with thread	with cover	69.5	HDC 10A SDLU 1M25G	1901040000
M25	with thread	without cover	57	HDC 10A SLU 2M25G	1788630000
M25	with thread	with cover	69.5	HDC 10A SDLU 2M25G	1788650000
PG 16	with thread	without cover	57	HDC 10A SLU 1PG16G	1664170000
PG 16	with thread	with cover	69.5	HDC 10A SDLU 1PG16G	1664410000
PG 16	with thread	without cover	57	HDC 10A SLU 2PG16G	1664190000
PG 16	with thread	with cover	69.5	HDC 10A SDLU 2PG16G	1664420000
PG 21	with thread	without cover	57	HDC 10A SLU 1PG21G	1664210000

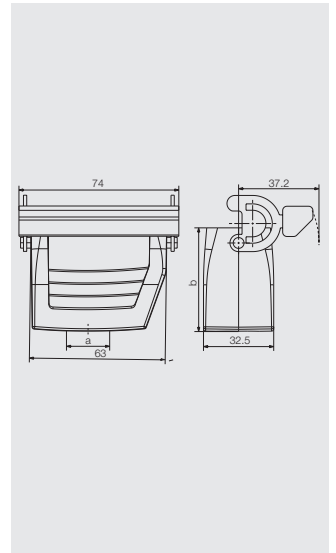


D

Coupling hood



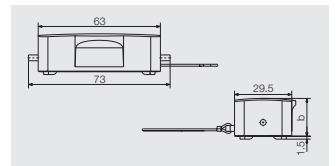
a	Version	Cover	b (mm)	Designation	Order No.
M25	with thread		48	HDC 10A KLU 1M25G	1788670000
PG 16	with thread		48	HDC 10A KLU 1/PG16G	1664560000
PG 21	with thread		62	HDC 15A KLU 1PG21G	1664630000



Cover



Version	Designation	Order No.
for bases	HDC 10A DMDL 2BO	1665880000



## X-ON Electronics

Largest Supplier of Electrical and Electronic Components

*Click to view similar products for [Weidmuller manufacturer:](#)*

Other Similar products are found below :

[8924550000](#) [56956](#) [0133660000](#) [6720000227](#) [6720005111](#) [68676](#) [69718](#) [EXO24CH](#) [7940000218](#) [8005181001](#) [8008180000](#) [8432240000](#)  
[8463580000](#) [8545830000](#) [8689870000](#) [8705640000](#) [8869870000](#) [9001080000](#) [9003720000](#) [9004250000](#) [9004780000](#) [9008380000](#)  
[9013260000](#) [9014100000](#) [9019040000](#) [9025430000](#) [9026010000](#) [9028630000](#) [9032010000](#) [903708](#) [9037350000](#) [9046290000](#) [9046380000](#)  
[9129643500](#) [913155](#) [9159530000](#) [919656](#) [919764](#) [9202230000](#) [9202850000](#) [9203710000](#) [9204640000](#) [9456750000](#) [9457913000](#) [980811](#)  
[980826](#) [9912800003](#) [9916280012](#) [9918380000](#) [9919371205](#)