

**SAI-6-S 3P M8 L OL****Weidmüller Interface GmbH & Co. KG**

Klingenbergstraße 26

D-32758 Detmold

Germany

www.weidmueller.com



The new slim M8 line from Weidmüller. This range of products is characterised by the marking options at all connection positions. Even the 4-way distributor with 8-pole M12 has adequately large markers at all M8 connection positions. Furthermore, this distributor is shorter than many conventional M8 designs.

- Very narrow, short and flat M8 distributor.
- The range is supplied with 4 to 12 M8 connection positions, 3 or 4 poles.
- Hybrid variants of the M8 are also possible on request.
- The M8 line is equipped with transverse holes.

**General ordering data**

Version	SAI Passive, Sensor-actuator passive distributor, M8, with M12 outlet, 8-pole, A-coded, No
Order No.	<a href="#">1932380000</a>
Type	SAI-6-S 3P M8 L OL
GTIN (EAN)	4032248582815
Qty.	1 pc(s).

Creation date September 16, 2022 10:13:21 PM CEST

Catalogue status 09.09.2022 / We reserve the right to make technical changes.

## SAI-6-S 3P M8 L OL

Weidmüller Interface GmbH &amp; Co. KG

Klingenbergstraße 26

D-32758 Detmold

Germany

www.weidmueller.com

## Technical data

## Dimensions and weights

Net weight	81 g
------------	------

## Temperatures

Operating temperature	-25 - 80°C
-----------------------	------------

## Environmental Product Compliance

REACH SVHC	Lead 7439-92-1
------------	----------------

## Connection data

Sheathing stripping length	100 mm	Distributor outlet	with M12 outlet, 8-pole, A-coded
----------------------------	--------	--------------------	----------------------------------

## Electrical data

Rated voltage, min.	10 V	Rated voltage, max.	30 V
Test voltage	1 kV	Max. current-carrying capacity per slot	2 A
Total current	6 A	Current per signal	1 A
Insulation strength	10 <sup>9</sup> Ω		

## General technical data

Protection degree	IP68	Number of poles	3
Number of contact sockets	6	Connection thread	M8
Pollution severity	3	Fire behaviour	V-0
LED	No	LED initiator	Yes
LED colour for indicating operation	green	LED colour for I/O function	yellow

## Material data

Material O-Ring	FKM	Housing main material	PBT
Material of distributor	Plastic	Housing colour	black (similar to RAL 9005)
Screw socket	Nickel-plated CuZn	Contact material	CuZn
Contact surface	Gold-plated	Contact carrier material	PBT (UL 94 V0)

## Technical data cable

Number of poles	3	Suitable for cable carriers	No
-----------------	---	-----------------------------	----

## Classifications

ETIM 6.0	EC002585	ETIM 7.0	EC003558
ETIM 8.0	EC003558	ECLASS 9.0	27-44-01-08
ECLASS 9.1	27-44-01-08	ECLASS 10.0	27-44-01-11
ECLASS 11.0	27-44-01-11	ECLASS 12.0	27-44-01-11

**Data sheet****SAI-6-S 3P M8 L OL****Weidmüller Interface GmbH & Co. KG**  
Klingenbergstraße 26  
D-32758 Detmold  
Germany

www.weidmueller.com

**Technical data****Approvals**

Approvals



ROHS	Conform
UL File Number Search	UL Website
Certificate No. (cURus)	E92202

**Downloads**

Engineering Data	<a href="#">CAD data – STEP</a>
Engineering Data	<a href="#">WSCAD</a>
Product Change Notification	<a href="#">20211208 Technical change to SAI M8 Line Distribution Boxes</a> <a href="#">20211208 Technische Änderung zu SAI M8 Line Verteiler</a>
Catalogues	<a href="#">Catalogues in PDF-format</a>
Brochures	<a href="#">FL FIELDWIRING EN</a> <a href="#">FL FIELDWIRING EN</a>

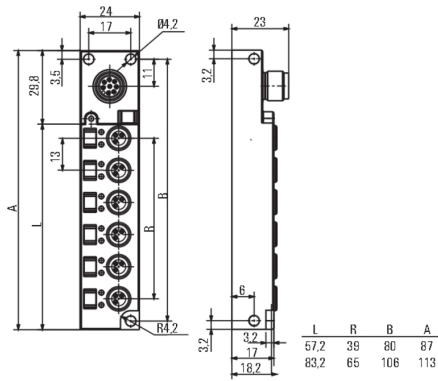
**SAI-6-S 3P M8 L OL**

**Weidmüller Interface GmbH & Co. KG**  
 Klingenbergstraße 26  
 D-32758 Detmold  
 Germany

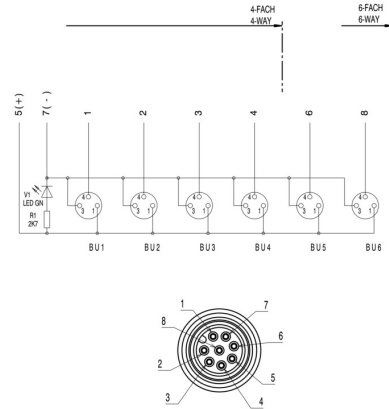
www.weidmueller.com

**Drawings**

**Dimensioned drawing**



**Wiring diagram**



## X-ON Electronics

Largest Supplier of Electrical and Electronic Components

*Click to view similar products for [Sensor Fixings & Accessories](#) category:*

*Click to view products by [Weidmuller](#) manufacturer:*

Other Similar products are found below :

[F03-01 SUS304 BINIL](#) [8000-5130](#) [FH-AP1](#) [PH-1-10M](#) [PH-1-20M](#) [PH-2-30M](#) [AC201](#) [R4](#) [ADI-LC3S](#) [E39-L149](#) [EC18-WELL](#) [PBT420-100R](#) [K35-4](#) [A-1923](#) [ACPG-003](#) [SS-12143](#) [STA12](#) [PH-1-50M](#) [R6](#) [D01051301](#) [43912557-020](#) [MF-1 D=3.2](#) [BGN-035](#) [E39-L7](#) [ZX-SB11](#) [D01070602](#) [606072](#) [606075](#) [Y92ES12PVC4A10ML](#) [Y92ES12PVC4S5ML](#) [ZFV-XMF2](#) [E4R-R12A-CS3M010](#) [ZX-SW11E V3](#) [CCS-PL-LDR2-70](#) [E4R-R12A-CS3M020](#) [BS-1T CHITAN](#) [T63353](#) [F03-01 CHITAN](#) [PH-2-90M](#) [PH-2-5M](#) [XMLZL008](#) [AC244](#) [PH-1-40M](#) [PH-2-60M](#) [ZG2-XC15CR](#) [ZS-SW11V3E](#) [ZS-MDC11](#) [ZS-DSU11](#) [ZJ-SFW11](#) [Y92E-ST505-05](#)