

**IE-PS-RJ45-FH-BK****Weidmüller Interface GmbH & Co. KG**

Klingenbergstraße 26

D-32758 Detmold

Germany

www.weidmueller.com



RJ45 plug-in connector (tool-less) according to IEC 60603-7-51 for wire outer diameters up to 1.6 mm

**General ordering data**

Version	RJ45 IDC plug, Cat.6 <sub>A</sub> / Class E <sub>A</sub> (ISO/IEC 11801 2010), 8-core, 4-core, EIA/TIA T568 A, EIA/TIA T568 B, PROFINET
Order No.	<a href="#">1963600000</a>
Type	IE-PS-RJ45-FH-BK
GTIN (EAN)	4032248645725
Qty.	10 pc(s).

Creation date March 25, 2022 11:08:21 PM CET

Catalogue status 11.03.2022 / We reserve the right to make technical changes.

## IE-PS-RJ45-FH-BK

Weidmüller Interface GmbH &amp; Co. KG

Klingenbergstraße 26

D-32758 Detmold

Germany

www.weidmueller.com

## Technical data

## Dimensions and weights

Net weight	17.831 g
------------	----------

## Temperatures

Operating temperature	-40 °C...70 °C
-----------------------	----------------

## General data

Fire load	77 kJ	Halogen	No
Material locking lever	PA UL94-V0	Material strain relief	PA UL94-V0
Connection 1	RJ45	Connection 2	IDC
Configuration	Eight-wire field-assembled RJ45 plug with colour coding on the plug, TIA A/B/ProfiNet, multiport-ready	Wiring	8-core, 4-core, EIA/TIA T568 A, EIA/TIA T568 B, PROFINET
Speed	10 GBit/s	Insulation cross-section, min.	0.85
Insulation cross-section, max.	1.6	Category	Cat.6 <sub>A</sub> / Class E <sub>A</sub> (ISO/IEC 11801 2010)
Contact material	Phosphorus bronze	Connection diameter, solid	0.41...0.64
Conductor connection cross-section, solid (AWG)	AWG 24/1...AWG 22/1	Conductor connection cross-section, solid	0.13...0.32 mm <sup>2</sup>
Connection diameter, flexible	0.48...0.76 mm	Conductor connection cross-section, flexible (AWG)	AWG 26/7...AWG 22/7
Wire connection cross section, finely stranded, min.	0.141 mm <sup>2</sup>	Conductor connection cross-section, flexible	0.14...0.35 mm <sup>2</sup>
Conductor connection cross-section, extremely flexible	, Approval of the cable by Weidmüller necessary	Conductor connection cross-section, extremely flexible (AWG)	, Approval of the cable by Weidmüller necessary
Note, very finely stranded line connection	Approval of the cable by Weidmüller necessary	MICE classification M	M <sub>1</sub>
MICE classification I	I <sub>1</sub>	MICE classification C	C <sub>1</sub>
MICE classification E	E <sub>3</sub>	Sheath diameter, min.	5.5 mm
Sheath diameter, max.	8.5 mm	Shielding	360°; all-round enclosure
Protection degree	IP20	Insertion force	≤ 30 N
Material insulator	PA UL94-V0	Ability to reconnect	≥ 10 cycles (for the same or larger cross-section)

## Electrical properties

Contact resistance	≤ 20 mΩ	Current-carrying capacity at 50 °C	1 A
Dielectric strength, contact / contact	≥ 1000 V DC	Dielectric strength, contact / shield	≥ 1500 V DC
PoE / PoE+	conforming to IEEE 802.3at		

## General standards

Application-specific communication cable facilities	PROFINET installation instructions	Certificate no. (cULus)	E316369
Connector standard	IEC 60603-7-5 1	IP protection classes	IEC 60529
UL standard for communication accessories	UL 1863		

**IE-PS-RJ45-FH-BK****Weidmüller Interface GmbH & Co. KG**

Klingenbergstraße 26

D-32758 Detmold

Germany

www.weidmueller.com

**Technical data****Classifications**

ETIM 6.0	EC001121	ETIM 7.0	EC001121
ETIM 8.0	EC001121	ECLASS 9.0	27-44-03-90
ECLASS 9.1	27-44-03-90	ECLASS 10.0	27-44-03-90
ECLASS 11.0	27-44-03-90		

**Approvals**

Approvals



ROHS	Conform
UL File Number Search	E316369

**Downloads**

Approval/Certificate/Document of Conformity	<a href="#">GOST Approval</a> <a href="#">ISO/IEC EN and TIA/EIA Screened Class EA Category 6A, 4 connector channel DUXR.E316369</a> <a href="#">CC-Link IE-PS-RJ45-FH-BK</a>
Engineering Data	<a href="#">CAD data – STEP</a>
Engineering Data	<a href="#">EPLAN, WSCAD, Zuken E3.S</a>
User Documentation	<a href="#">MAN IE GUIDE DE</a> <a href="#">MAN IE GUIDE EN</a> <a href="#">Manual</a>
Catalogues	<a href="#">Catalogues in PDF-format</a>
Brochures	<a href="#">MB FREECONTACT EN</a> <a href="#">FL FIELDWIRING EN</a> <a href="#">PI PROFINET CABLING EN</a> <a href="#">PI PROFINET CABLING EN</a>

**Data sheet**

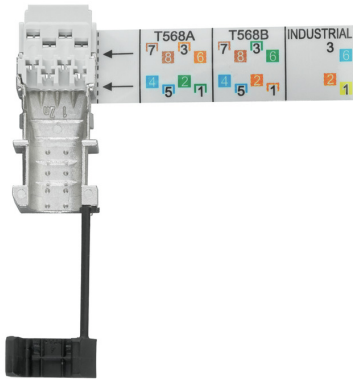
**IE-PS-RJ45-FH-BK**

**Weidmüller Interface GmbH & Co. KG**  
Klingenbergstraße 26  
D-32758 Detmold  
Germany

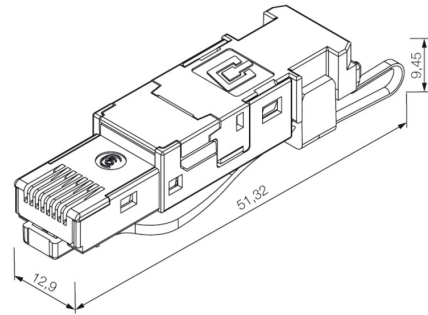
[www.weidmueller.com](http://www.weidmueller.com)

**Drawings**

**Printing**



**Dimensioned drawing**



**IE-PS-RJ45-FH-BK**

**Weidmüller Interface GmbH & Co. KG**  
 Klingenbergstraße 26  
 D-32758 Detmold  
 Germany

www.weidmueller.com

**Accessories**

**Dust caps**



For protecting your devices against dust and dirt.

**Dust caps**

**General ordering data**

Type	IE-PP-RJ45
Order No.	<a href="#">2552580000</a>
GTIN (EAN)	4050118562583
Qty.	10 pc(s).

**Coloured strain relief**



For identifying your IP20 RJ45 plugs, which can be assembled on-site, in 6 different colours

**General ordering data**

Type	IE-CR-IP20-RJ45-FH-BU	Version
Order No.	<a href="#">1963080000</a>	Industrial Ethernet, Colour coding ring, blue, Strain relief, blue
GTIN (EAN)	4032248645268	
Qty.	10 pc(s).	
Type	IE-CR-IP20-RJ45-FH-YE	Version
Order No.	<a href="#">1963090000</a>	Industrial Ethernet, Colour coding ring, yellow, Strain relief, yellow
GTIN (EAN)	4032248645275	
Qty.	10 pc(s).	
Type	IE-CR-IP20-RJ45-FH-GY	Version
Order No.	<a href="#">1963060000</a>	Industrial Ethernet, Colour coding ring, grey, Strain relief, grey
GTIN (EAN)	4032248645244	
Qty.	10 pc(s).	
Type	IE-CR-IP20-RJ45-FH-OG	Version
Order No.	<a href="#">1963070000</a>	Industrial Ethernet, Colour coding ring, orange, Strain relief, orange
GTIN (EAN)	4032248645251	
Qty.	10 pc(s).	
Type	IE-CR-IP20-RJ45-FH-GN	Version
Order No.	<a href="#">1963100000</a>	Industrial Ethernet, Colour coding ring, green, Strain relief, green
GTIN (EAN)	4032248645282	
Qty.	10 pc(s).	

**IE-PS-RJ45-FH-BK**

**Weidmüller Interface GmbH & Co. KG**  
 Klingenbergstraße 26  
 D-32758 Detmold  
 Germany

www.weidmueller.com

**Accessories**

Type	IE-CR-IP20-RJ45-FH-WH	Version	
Order No.	<a href="#">1963050000</a>		Industrial Ethernet, Colour coding ring, white, Strain relief, white
GTIN (EAN)	4032248645237		
Qty.	10 pc(s).		

**Pressing tool**



When working with live voltages, you must follow special guidelines and use special tools - tools which have been specially produced and tested for this purpose. Weidmüller offers a complete line of pliers which comply with national and international testing standards. All pliers are produced and tested according to DIN EN 60900. The pliers are ergonomically designed to fit to the hand form, and thus feature an improved hand position. The fingers are not pressed together - this results in less fatigue during operation.

**General ordering data**

Type	PWZ RJ45	Version	
Order No.	<a href="#">1118040000</a>		Pressing tools
GTIN (EAN)	4032248899197		
Qty.	1 pc(s).		

## X-ON Electronics

Largest Supplier of Electrical and Electronic Components

*Click to view similar products for [Modular Connectors / Ethernet Connectors](#) category:*

*Click to view products by [Weidmuller](#) manufacturer:*

Other Similar products are found below :

[8949-H88/06BLKA/SN](#) [74441-0010/BKN](#) [MP1010RX-1000](#) [MP44RX-1000](#) [PHJ-4P4C-1-V-4](#) [PHP-6P6C-5](#) [GAX-3-66](#) [GAX-8-62](#) [GDCX-PA-66-50](#) [GDCX-PN-64](#) [GDCX-PN-66](#) [GDCX-PN-66-50](#) [GDLX-A-66](#) [GDLX-N-66](#) [GDLX-S-66](#) [GDLX-S-88K](#) [GDLX-SMT-S-88](#) [GDTX-S-88-50](#) [GDX-PA-1010](#) [GLX-N-1010M-BLK](#) [GLX-S-88M-BLK](#) [GMX-N-1010](#) [GMX-S-1010](#) [GMX-S-66](#) [GMX-SMT4-N-88](#) [GPX-2-64](#) [GSGX-N-2-88](#) [GSGX-N-4-88](#) [GSX-NS2-88-3.05](#) [GSX-NS2-88-3.05-50](#) [GSX-NS-88-3.05-50](#) [PT-108A-8C-UL](#) [PT-J951-8C](#) [PTS-J531-8CS-50UL](#) [1-1775629-2](#) [A-2014-0-4](#) [GWLX-S-88-GR](#) [GWLX-S9-88-YG](#) [DC-1021-8-WH-6](#) [1300530003](#) [1324640-4](#) [RJ11FTVC2G](#) [RJ11FTVC2N](#) [RJFTVX2SA1G](#) [132764-001](#) [1413235](#) [MP88X-1000](#) [MPS88RX-5000](#) [E5288-S000K3-L](#) [E5908-15A242-L](#)