

**Industrial Ethernet
IE-PS-RJ45-FH-BK**

Weidmüller Interface GmbH & Co. KG
Klingenbergstraße 16
D-32758 Detmold
Germany
Fon: +49 5231 14-0
Fax: +49 5231 14-292083
www.weidmueller.com



RJ45 plug-in connector (tool-less) according to IEC 60603-7-51 for wire outer diameters up to 1.6 mm

General ordering data

Type	IE-PS-RJ45-FH-BK
Order No.	196360000
Version	RJ45 plug, no tools required, Cat.6 _A / Class E _A (ISO/IEC 11801 2010), 8-core, 4-core, EIA/TIA T568 A, EIA/TIA T568 B, PROFINET
GTIN (EAN)	4032248645725
Qty.	10 pc(s).

**Industrial Ethernet
IE-PS-RJ45-FH-BK**

Weidmüller Interface GmbH & Co. KG
 Klingenbergstraße 16
 D-32758 Detmold
 Germany
 Fon: +49 5231 14-0
 Fax: +49 5231 14-292083
 www.weidmueller.com

Technical data**Dimensions and weights**

Net weight	17.831 g
------------	----------

Temperatures

Operating temperature, max.	70 °C	Operating temperature, min.	-40 °C
Operating temperature	-40 °C...70 °C	Storage temperature	
Installation temperature			

General data

Fire load	77 kJ	Halogen	No
Connection 1	RJ45	Connection 2	IDC
Configuration	Eight-wire field-assembled RJ45 plug with colour coding on the plug, TIA A/B/ProfiNet, multiport-ready	Wiring	8-core, 4-core, EIA/TIA T568 A, EIA/TIA T568 B, PROFINET
Housing main material	Zinc diecast	Speed	10 GBit/s
Insulation cross-section, min.	0.85 mm	Insulation cross-section, max.	1.6 mm
Category	Cat.6 _A / Class E _A (ISO/IEC 11801 2010)	Contact material	Phosphorus bronze
Contact surface	Gold over nickel	Connection diameter, solid	0.41...0.64 mm
Conductor connection cross-section, solid (AWG)	AWG 26/1...AWG 22/1	Wire cross-section, solid, min.	0.128 mm ²
Wire cross-section, solid, max.	0.324 mm ²	Conductor connection cross-section, solid	0.13...0.32 mm ²
Connection diameter, flexible	0.48...0.76 mm	Conductor connection cross-section, flexible (AWG)	AWG 26/7...AWG 22/7
Wire connection cross-section, finely stranded, min.	0.141 mm ²	Wire connection cross section, finely stranded, max.	0.355 mm ²
Conductor connection cross-section, flexible	0.14...0.35 mm ²	Conductor connection cross-section, extremely flexible	, Approval of the cable by Weidmüller necessary
Conductor connection cross-section, extremely flexible (AWG)	, Approval of the cable by Weidmüller necessary	MICE classification M	M ₁
MICE classification I	I ₁	MICE classification C	C ₁
MICE classification E	E ₃	Sheath diameter, min.	5.5 mm
Sheath diameter, max.	8.5 mm	Shielding	360°; all-round enclosure
Protection degree	IP20	Insertion force	≤ 30 N
Plugging cycles	750	Material insulator	PA UL94-V0
Ability to reconnect	≥ 10 cycles (for the same or larger cross-section)		

Electrical properties

Contact resistance	≤ 20 mΩ	Current-carrying capacity at 50 °C	1 A
Dielectric strength, contact / contact	≥ 1000 V DC	Dielectric strength, contact / shield	≥ 1500 V DC
Insulation strength	> 500 MΩ	PoE / PoE+	conforming to IEEE 802.3at

Industrial Ethernet IE-PS-RJ45-FH-BK

Weidmüller Interface GmbH & Co. KG
 Klingenbergstraße 16
 D-32758 Detmold
 Germany
 Fon: +49 5231 14-0
 Fax: +49 5231 14-292083
 www.weidmueller.com

Technical data

Standards

Generic communication cable facilities	ANSI / TIA / EIA-568-B.2-10, DIN EN 61918 Draft 02.2007, ISO / IEC 11801:2002, ISO / IEC 24702:2006	Application-specific communication cable facilities	PROFINET installation instructions
IP protection classes	IEC 60529	Connector standard	IEC 60603-7-51
UL standard for communication accessories	UL 1863	Certificate no. (cULus)	E316369

Classifications

ETIM 3.0	EC001121	ETIM 4.0	EC001121
ETIM 5.0	EC001121	ETIM 6.0	EC001121
UNSPSC	30-21-18-10	eClass 5.1	27-26-07-08
eClass 6.2	27-25-05-04	eClass 7.1	27-25-05-04
eClass 8.1	19-17-01-25	eClass 9.0	27-44-03-90
eClass 9.1	27-44-03-90		

Approvals

Approvals



ROHS Conform

Downloads

Approval/Certificate/Document of Conformity	GOST Approval DUXR.E316369 CC-Link IE-PS-RJ45-FH-BK PROFINET Manufacturer's Declaration
Brochure/Catalogue	CAT 9 IETH 15/16 EN MB FREECONTACT EN FL FIELDWIRING EN PI PROFINET CABLING EN
Engineering Data	EPLAN, WSCAD, Zuken E3.S
User Documentation	MAN IE GUIDE DE MAN IE GUIDE EN Manual

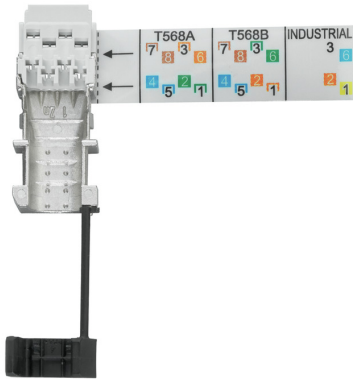
Data sheet

**Industrial Ethernet
IE-PS-RJ45-FH-BK**

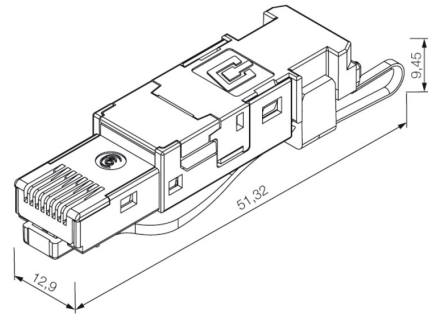
Weidmüller Interface GmbH & Co. KG
Klingenbergstraße 16
D-32758 Detmold
Germany
Fon: +49 5231 14-0
Fax: +49 5231 14-292083
www.weidmueller.com

Drawings

Printing



Dimensioned drawing



Industrial Ethernet IE-PS-RJ45-FH-BK

Weidmüller Interface GmbH & Co. KG
Klingenbergstraße 16
D-32758 Detmold
Germany
Fon: +49 5231 14-0
Fax: +49 5231 14-292083
www.weidmueller.com

Accessories

Pressing tool



When working with live voltages, you must follow special guidelines and use special tools - tools which have been specially produced and tested for this purpose. Weidmüller offers a complete line of pliers which comply with national and international testing standards. All pliers are produced and tested according to DIN EN 60900.

The pliers are ergonomically designed to fit to the hand form, and thus feature an improved hand position. The fingers are not pressed together - this results in less fatigue during operation.

General ordering data

Type	Order No.	Version	GTIN (EAN)	Qty.
PWZ RJ45	1118040000	Pressing tool for pressing together both housing parts for on-site assembly of the RJ45 plug	4032248899197	1 pc(s).

Coloured strain relief



For identifying your IP20 RJ45 plugs, which can be assembled on-site, in 6 different colours

General ordering data

Type	Order No.	Version	GTIN (EAN)	Qty.
IE-CR-IP20-RJ45-FH-OG	1963070000	Industrial Ethernet, Colour coding ring, orange, Strain relief, orange	4032248645251	10 pc(s).
IE-CR-IP20-RJ45-FH-YE	1963090000	Industrial Ethernet, Colour coding ring, yellow, Strain relief, yellow	4032248645275	10 pc(s).
IE-CR-IP20-RJ45-FH-WH	1963050000	Industrial Ethernet, Colour coding ring, white, Strain relief, white	4032248645237	10 pc(s).
IE-CR-IP20-RJ45-FH-GY	1963060000	Industrial Ethernet, Colour coding ring, grey, Strain relief, grey	4032248645244	10 pc(s).
IE-CR-IP20-RJ45-FH-GN	1963100000	Industrial Ethernet, Colour coding ring, green, Strain relief, green	4032248645282	10 pc(s).

Data sheet**Industrial Ethernet
IE-PS-RJ45-FH-BK**

Weidmüller Interface GmbH & Co. KG
Klingenbergstraße 16
D-32758 Detmold
Germany
Fon: +49 5231 14-0
Fax: +49 5231 14-292083
www.weidmueller.com

Accessories

IE-CR-IP20- [1963080000](#)
RJ45-FH-BU

Industrial Ethernet, Colour 4032248645268 10 pc(s).
coding ring, blue, Strain
relief, blue

X-ON Electronics

Largest Supplier of Electrical and Electronic Components

Click to view similar products for [Modular Connectors](#) / [Ethernet Connectors](#) category:

Click to view products by [Weidmuller](#) manufacturer:

Other Similar products are found below :

[RJE231881317T](#) [MP1010RX-1000](#) [MP44RX-1000](#) [GAX-3-66](#) [GAX-8-62](#) [93606-0253](#) [GD-A-44](#) [GDCX-PA-66-50](#) [GDCX-PN-64](#) [GDCX-PN-66](#) [GDCX-PN-66-50](#) [GDLX-A-66](#) [GDLX-A-88](#) [GDLX-N-66](#) [GDLX-S-88K](#) [GDTX-S-88-50](#) [GDX-PA-1010](#) [GLX-N-1010M-BLK](#) [GLX-N-44M](#) [GLX-S-88M-BLK](#) [GMX-N-1010](#) [GMX-S-1010](#) [GMX-S-66](#) [GMX-SMT2-N-1010](#) [GMX-SMT2-N-64-50](#) [GMX-SMT2-S6-88](#) [GMX-SMT4-N-88](#) [GPX-2-64](#) [GRT1-BT1-5](#) [GSGX-N-2-88](#) [GSX-NS2-88-3.05](#) [GSX-NS2-88-3.05-50](#) [GSX-NS-88-3.05-30](#) [GSX-NS-88-3.05-50](#) [GSX-NS-88-3.68](#) [1-1775629-2](#) [GWLX-S-88-GR](#) [GWLX-S9-88-YG](#) [1300500326](#) [1300500227](#) [1300530003](#) [1300570002](#) [1324640-4](#) [RJ11FTVC2G](#) [RJ11FTVC2N](#) [RJFTVX2SA1G](#) [132764-001](#) [1400000](#) [1413176](#) [1413235](#)