

**Industrial Ethernet  
IE-PS-RJ45-FH-90-B-1.6**

**Weidmüller Interface GmbH & Co. KG**  
Klingenbergstraße 16  
D-32758 Detmold  
Germany  
Fon: +49 5231 14-0  
Fax: +49 5231 14-292083  
www.weidmueller.com



RJ45 plug-in connector (no tools required) according to IEC 60603-7-51 for core diameters from 0.85 to 1.6 mm and AWG 22-27.

**General ordering data**

Type	IE-PS-RJ45-FH-90-B-1.6
Order No.	<a href="#">1992890000</a>
Version	RJ45 plug, no tools required, angled, 4x90°, Cat.6 <sub>A</sub> / Class E <sub>A</sub> (ISO/IEC 11801 2010), EIA/TIA T568 B
GTIN (EAN)	4050118378122
Qty.	1 pc(s).

**Industrial Ethernet  
IE-PS-RJ45-FH-90-B-1.6**

**Weidmüller Interface GmbH & Co. KG**  
 Klingenbergstraße 16  
 D-32758 Detmold  
 Germany  
 Fon: +49 5231 14-0  
 Fax: +49 5231 14-292083  
 www.weidmueller.com

**Technical data****Dimensions and weights**

Net weight	25 g
------------	------

**Temperatures**

Operating temperature, max.	85 °C	Operating temperature, min.	-40 °C
Operating temperature	-40 °C...85 °C	Storage temperature	
Installation temperature			

**Environmental Product Compliance**

REACH SVHC	Lead 7439-92-1
------------	----------------

**General data**

Connection 1	RJ45	Connection 2	Piercing
Wiring	EIA/TIA T568 B	Housing main material	Zinc diecast, nickel-plated
Speed	10 GBit	Insulation cross-section, min.	1.1 mm
Insulation cross-section, max.	1.6 mm	Category	Cat.6A / Class E <sub>A</sub> (ISO/IEC 11801 2010)
Contact surface	Gold over nickel	Connection diameter, solid	0.51...0.64 mm
Conductor connection cross-section, solid (AWG)	AWG 24...AWG 22	Connection diameter, flexible	0.46...0.76 mm
Conductor connection cross-section, flexible (AWG)	AWG 27...AWG 22	Conductor connection cross-section, extremely flexible	0.61...0.78 mm, Approval of the cable by Weidmüller necessary
Conductor connection cross-section, extremely flexible (AWG)	AWG 24...AWG 22, Approval of the cable by Weidmüller necessary	Sheath diameter, min.	5 mm
Sheath diameter, max.	9 mm	Shielding	360°; all-round enclosure
Protection degree	IP20	Plugging cycles	750

**Electrical properties**

Contact resistance	≤ 20 mΩ	Current-carrying capacity at 50 °C	1 A
Dielectric strength, contact / contact	≥ 1000 V DC	Dielectric strength, contact / shield	≥ 1500 V DC
Insulation strength	> 500 MΩ	PoE / PoE+	conforming to IEEE 802.3at

**Standards**

Connector standard	IEC 60603-7-51	Certificate no. (cULus)	E471884
--------------------	----------------	-------------------------	---------

**Classifications**

ETIM 6.0	EC001121	eClass 6.2	27-25-05-04
eClass 9.0	27-44-03-90	eClass 9.1	27-44-03-90

**Data sheet****Industrial Ethernet  
IE-PS-RJ45-FH-90-B-1.6**

**Weidmüller Interface GmbH & Co. KG**  
Klingenbergstraße 16  
D-32758 Detmold  
Germany  
Fon: +49 5231 14-0  
Fax: +49 5231 14-292083  
www.weidmueller.com

**Technical data****Approvals**

Approvals



ROHS

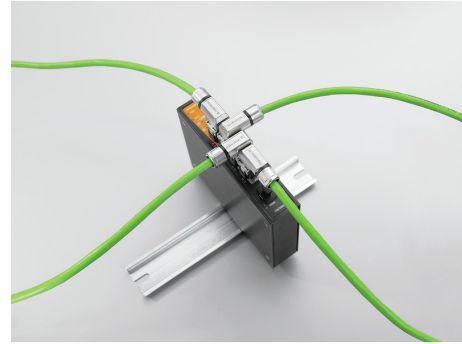
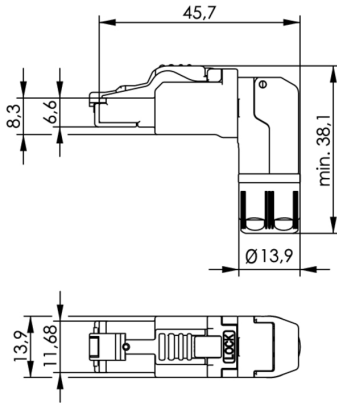
Conform

**Downloads**

Brochure/Catalogue	<a href="#">CAT 9 IETH 15/16 EN</a> <a href="#">MB FREECONTACT EN</a> <a href="#">FL FIELDWIRING EN</a> <a href="#">PI PROFINET CABLING EN</a>
Engineering Data	<a href="#">EPLAN, WSCAD</a>
Engineering Data	<a href="#">STEP</a>
User Documentation	<a href="#">MAN IE GUIDE DE</a> <a href="#">MAN IE GUIDE EN</a> <a href="#">Manual</a>

**Industrial Ethernet  
IE-PS-RJ45-FH-90-B-1.6**

**Weidmüller Interface GmbH & Co. KG**  
Klingenbergstraße 16  
D-32758 Detmold  
Germany  
Fon: +49 5231 14-0  
Fax: +49 5231 14-292083  
[www.weidmueller.com](http://www.weidmueller.com)

**Drawings****Dimensioned drawing**

## Industrial Ethernet IE-PS-RJ45-FH-90-B-1.6

**Weidmüller Interface GmbH & Co. KG**  
 Klingenbergstraße 16  
 D-32758 Detmold  
 Germany  
 Fon: +49 5231 14-0  
 Fax: +49 5231 14-292083  
 www.weidmueller.com

## Accessories

### Substitute wire manager



RJ45 plug-in connector (no tools required) according to IEC 60603-7-51 for core diameters from 0.85 to 1.6 mm and AWG 22-27.

### General ordering data

Type	Order No.	Version	GTIN (EAN)	Qty.
IE-PI-RJ45-FH-B-1.6	<a href="#">1992900000</a>	Substitute wire manager, Cat.6 <sub>A</sub> / Class E <sub>A</sub> (ISO/IEC 11801 2010), EIA/TIA T568 B	4050118378146	30 pc(s).
IE-PI-RJ45-FH-A-1.6	<a href="#">1992880000</a>	Substitute wire manager, Cat.6 <sub>A</sub> / Class E <sub>A</sub> (ISO/IEC 11801 2010), EIA/TIA T568 A	4050118378030	30 pc(s).
IE-PI-RJ45-FH-P-1.6	<a href="#">1992910000</a>	Substitute wire manager, Cat.5 (ISO/IEC 11801), PROFINET	4050118378047	30 pc(s).
IE-PI-RJ45-FH-A-1.1	<a href="#">1992920000</a>	Substitute wire manager, Cat.6 <sub>A</sub> / Class E <sub>A</sub> (ISO/IEC 11801 2010), EIA/TIA T568 A	4050118377965	30 pc(s).
IE-PI-RJ45-FH-B-1.1	<a href="#">1992930000</a>	Substitute wire manager, Cat.6 <sub>A</sub> / Class E <sub>A</sub> (ISO/IEC 11801 2010), EIA/TIA T568 B	4050118378139	30 pc(s).

### Pressing tool



When working with live voltages, you must follow special guidelines and use special tools - tools which have been specially produced and tested for this purpose. Weidmüller offers a complete line of pliers which comply with national and international testing standards. All pliers are produced and tested according to DIN EN 60900.

The pliers are ergonomically designed to fit to the hand form, and thus feature an improved hand position. The fingers are not pressed together - this results in less fatigue during operation.

### General ordering data

Type	Order No.	Version	GTIN (EAN)	Qty.
PWZ RJ45	<a href="#">1118040000</a>	Pressing tool for pressing together both housing parts	4032248899197	1 pc(s).

**Data sheet**

**Industrial Ethernet  
IE-PS-RJ45-FH-90-B-1.6**

**Weidmüller Interface GmbH & Co. KG**  
Klingenbergstraße 16  
D-32758 Detmold  
Germany  
Fon: +49 5231 14-0  
Fax: +49 5231 14-292083  
[www.weidmueller.com](http://www.weidmueller.com)

**Accessories**

for on-site assembly of the  
RJ45 plug

---

## X-ON Electronics

Largest Supplier of Electrical and Electronic Components

*Click to view similar products for [Modular Connectors](#) / [Ethernet Connectors](#) category:*

*Click to view products by [Weidmuller](#) manufacturer:*

Other Similar products are found below :

[RJE231881317T](#) [MP1010RX-1000](#) [MP44RX-1000](#) [GAX-3-66](#) [GAX-8-62](#) [93606-0253](#) [GD-A-44](#) [GDCX-PA-66-50](#) [GDCX-PN-64](#) [GDCX-PN-66](#) [GDCX-PN-66-50](#) [GDLX-A-66](#) [GDLX-A-88](#) [GDLX-N-66](#) [GDLX-S-88K](#) [GDTX-S-88-50](#) [GDX-PA-1010](#) [GLX-N-1010M-BLK](#) [GLX-N-44M](#) [GLX-S-88M-BLK](#) [GMX-N-1010](#) [GMX-S-1010](#) [GMX-S-66](#) [GMX-SMT2-N-1010](#) [GMX-SMT2-N-64-50](#) [GMX-SMT2-S6-88](#) [GMX-SMT4-N-88](#) [GPX-2-64](#) [GRT1-BT1-5](#) [GSGX-N-2-88](#) [GSX-NS2-88-3.05](#) [GSX-NS2-88-3.05-50](#) [GSX-NS-88-3.05-30](#) [GSX-NS-88-3.05-50](#) [GSX-NS-88-3.68](#) [1-1775629-2](#) [GWLX-S-88-GR](#) [GWLX-S9-88-YG](#) [1300500326](#) [1300500227](#) [1300530003](#) [1300570002](#) [1324640-4](#) [RJ11FTVC2G](#) [RJ11FTVC2N](#) [RJFTVX2SA1G](#) [132764-001](#) [1400000](#) [1413176](#) [1413235](#)