

AMG ELM-6F**Weidmüller Interface GmbH & Co. KG**

Klingenbergstraße 26

D-32758 Detmold

Germany

www.weidmueller.com



Similar to illustration

Efficient machine and facility operation calls for fail-safe and maintenance-friendly control voltage distribution that can be installed in a time and space-saving manner.

With the new maxGUARD system, the terminal blocks (previously installed separately) for distributing potential to the outputs of the electronic load monitors become an integral part of a 24 V DC control voltage distribution system.

The innovative combination of load monitoring and potential distribution saves time during installation, increases safety against failure and reduces the amount of space required on the terminal rail by 50%.

General ordering data

Version	Electronic load monitoring, 6 A, 24 V DC
Order No.	2080500000
Type	AMG ELM-6F
GTIN (EAN)	4050118419528
Qty.	1 pc(s).

AMG ELM-6F

Weidmüller Interface GmbH & Co. KG

Klingenbergstraße 26

D-32758 Detmold

Germany

www.weidmueller.com

Technical data

Dimensions and weights

Depth	96.5 mm	Depth (inches)	3.799 inch
Height	125 mm	Height (inches)	4.921 inch
Width	6.1 mm	Width (inches)	0.24 inch
Net weight	40 g		

Temperatures

Storage temperature	-40 °C...85 °C	Operating temperature	-25 °C...55 °C
---------------------	----------------	-----------------------	----------------

Environmental Product Compliance

REACH SVHC	Lead 7439-92-1
------------	----------------

Input

Current consumption (full load)	$I_{OUT} + 30$ mA	Current consumption (idle)	25 mA
DC input voltage range	18...30 V DC	Input fuse (internal)	Yes
Rated input voltage	24 V DC	Surge protection	Suppressor diode
max. admissible residual ripple at the input	100 mVpp		

Output

Capacitive load	15,000 μ F	Connection system	PUSH IN
Rated current	6 A	Surge protection	Suppressor diode
Switch-on delay	1 s	Triggering characteristic	see characteristic curve
adjustable rated current	No		

General data

Conformal coating	No	
Function key	Activation time < 3s, Reset, ON	
MTTF	According to Standard	SN 29500
	Operating time (hours), min.	2.845 Mh
	Ambient temperature	40 °C
	Input voltage	24 V
	Output power	144 W
	Duty cycle	100 %
Operating temperature	-25 °C...55 °C	
Power loss, idling	415 mW	
Relay to activate the output	No	
Surge voltage category	III	

Insulation coordination

Surge voltage category	III
------------------------	-----

Connection data (output)

Conductor cross-section, AWG/kcmil , max.	12	Conductor cross-section, AWG/kcmil , min.	26
Conductor cross-section, flexible , max.	2.5 mm ²	Conductor cross-section, flexible , min.	0.14 mm ²
Conductor cross-section, rigid , max.	2.5 mm ²	Conductor cross-section, rigid , min.	0.14 mm ²
Connection system	PUSH IN	Number of terminals	2 (+ / -)

Creation date March 25, 2022 9:23:26 PM CET

Catalogue status 11.03.2022 / We reserve the right to make technical changes.

AMG ELM-6F**Weidmüller Interface GmbH & Co. KG**

Klingenbergstraße 26

D-32758 Detmold

Germany

www.weidmueller.com

Technical data**Signalling**

LED green	Red LED	Load monitoring has disconnected, Load monitoring has triggered (flashing), Internal error (rapid flashing)
Operation (failure-free)		

Approvals

Certificate no. (cULus)	E258476	Institute (cULus)	CULUS
-------------------------	---------	-------------------	-------

Classifications

ETIM 6.0	EC002057	ETIM 7.0	EC002057
ETIM 8.0	EC002057	ECLASS 9.0	27-37-10-16
ECLASS 9.1	27-37-10-16	ECLASS 10.0	27-37-10-16
ECLASS 11.0	27-37-10-16		

Approvals

Approvals



ROHS	Conform
UL File Number Search	E258476

Downloads

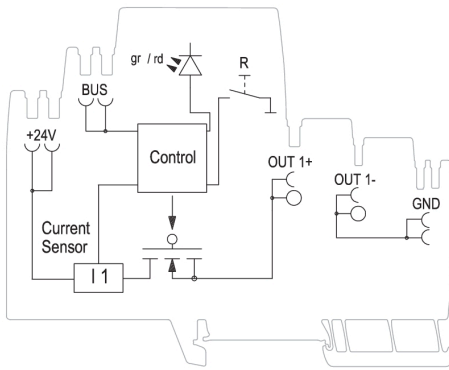
Approval/Certificate/Document of Conformity	Declaration of Conformity
Engineering Data	CAD data – STEP
Engineering Data	EPLAN, WSCAD, Zuken E3.S
Product Change Notification	Release-Notes
User Documentation	Manual maxGUARD Operating instructions
Catalogues	Catalogues in PDF-format

AMG ELM-6F

Weidmüller Interface GmbH & Co. KG
Klingenbergstraße 26
D-32758 Detmold
Germany

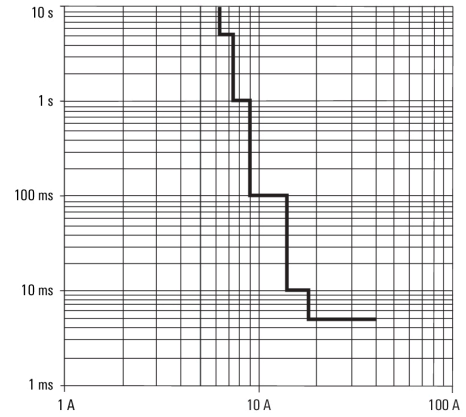
www.weidmueller.com

Drawings



Schematic circuit diagram

Tripping characteristic normal



Tripping characteristic

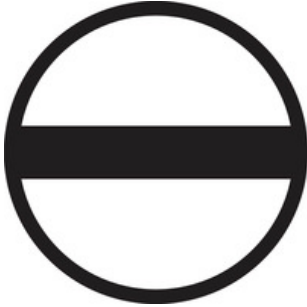
AMG ELM-6F

Weidmüller Interface GmbH & Co. KG
 Klingenbergstraße 26
 D-32758 Detmold
 Germany

www.weidmueller.com

Accessories

Slotted screwdriver



VDE insulated screwdriver sets, for working on live parts up to 1000 V AC and 1500 V DC, DIN EN 60900. IEC 900. Each piece is "GS" safety tested. Blade made from fully hardened, high-alloy chromium-vanadium-molybdenum steel, gun-metal finish.

General ordering data

Type	SDIS SL 0.6X3.5X100	Version
Order No.	1274660000	Screwdriver, Mounting tool
GTIN (EAN)	4050118072631	
Qty.	1 pc(s).	

Blank



WS markers are the perfect match for the W-series connectors. Thanks to their system compatibility, the WS tags can also be used with the I-series and the Z-series. The large marking surfaces do not only permit long character strings but also multi-line text. WS markers are ideal for labels with long, customised character strings. Thanks to the proven MultiCard format, printing with PrintJet CONNECT oder/or Plotter is possible.

- Can be fitted in strips or individually
- Markers in proven MultiCard format

For custom printing: Please send us a file of our labeling software M-Print PRO or M-Print PRO Online (without installation) for your labeling specifications.

General ordering data

Type	WS 10/6 M MC NE WS	Version
Order No.	1818400000	WS, Terminal marker, 10 x 6 mm, Pitch in mm (P): 6.00 Weidmueller,
GTIN (EAN)	4032248310876	Allen-Bradley, white
Qty.	600 pc(s).	

AMG ELM-6F

Weidmüller Interface GmbH & Co. KG
 Klingenbergstraße 26
 D-32758 Detmold
 Germany

www.weidmueller.com

Accessories

W-Series

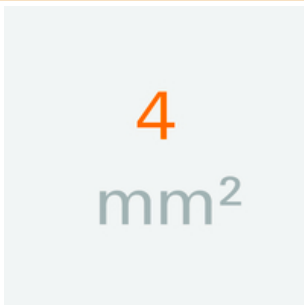


Weidmüller's range of products includes end brackets that guarantee a permanent, reliable mounting on the terminal rail and prevent sliding. Versions with and without screws are available. The end brackets include marking options, also for group markers, and also a test plug holder.

General ordering data

Type	WEW 35/2 V0 GF SW	Version
Order No.	1479000000	W-Series, End bracket
GTIN (EAN)	4050118286779	
Qty.	100 pc(s).	

4 mm²



The plug-in cross-connections feature easy handling and quick installation. This saves a great deal of time during installation in comparison with screwed solutions.

General ordering data

Type	ZQV 4N/4 RD
Order No.	2460800000
GTIN (EAN)	4050118476224
Qty.	60 pc(s).
Type	ZQV 4N/3 BL
Order No.	1528080000
GTIN (EAN)	4050118333008
Qty.	60 pc(s).
Type	ZQV 4N/6 RD
Order No.	2460780000
GTIN (EAN)	4050118476200
Qty.	20 pc(s).
Type	ZQV 4N/2
Order No.	1527930000
GTIN (EAN)	4050118332766
Qty.	60 pc(s).
Type	ZQV 4N/2 RD
Order No.	2460450000
GTIN (EAN)	4050118476149
Qty.	60 pc(s).

AMG ELM-6F

Weidmüller Interface GmbH & Co. KG
 Klingenbergstraße 26
 D-32758 Detmold
 Germany

www.weidmueller.com

Accessories

Type	ZQV 4N/10 BL
Order No.	1528230000
GTIN (EAN)	4050118333138
Qty.	20 pc(s).
Type	ZQV 4N/9 RD
Order No.	2460750000
GTIN (EAN)	4050118476170
Qty.	20 pc(s).
Type	ZQV 4N/10
Order No.	1528090000
GTIN (EAN)	4050118332896
Qty.	20 pc(s).
Type	ZQV 4N/8
Order No.	1528030000
GTIN (EAN)	4050118332841
Qty.	20 pc(s).
Type	ZQV 4N/7 BL
Order No.	1528180000
GTIN (EAN)	4050118333114
Qty.	20 pc(s).
Type	ZQV 4N/8 BL
Order No.	1528190000
GTIN (EAN)	4050118332858
Qty.	20 pc(s).
Type	ZQV 4N/50 BL
Order No.	1528240000
GTIN (EAN)	4050118333121
Qty.	5 pc(s).
Type	ZQV 4N/2 BL
Order No.	1528040000
GTIN (EAN)	4050118332773
Qty.	60 pc(s).
Type	ZQV 4N/5
Order No.	1527980000
GTIN (EAN)	4050118332759
Qty.	60 pc(s).
Type	ZQV 4N/50
Order No.	1528130000
GTIN (EAN)	4050118332902
Qty.	5 pc(s).
Type	ZQV 4N/9
Order No.	1528070000
GTIN (EAN)	4050118332797
Qty.	20 pc(s).
Type	ZQV 4N/5 RD
Order No.	2460790000
GTIN (EAN)	4050118476217
Qty.	60 pc(s).
Type	ZQV 4N/6
Order No.	1527990000
GTIN (EAN)	4050118332919
Qty.	20 pc(s).

Creation date March 25, 2022 9:23:26 PM CET

AMG ELM-6F

Weidmüller Interface GmbH & Co. KG
 Klingenbergstraße 26
 D-32758 Detmold
 Germany

www.weidmueller.com

Accessories

Type	ZQV 4N/4 BL
Order No.	1528120000
GTIN (EAN)	4050118332872
Qty.	60 pc(s).
Type	ZQV 4N/10 RD
Order No.	2460740000
GTIN (EAN)	4050118476163
Qty.	20 pc(s).
Type	ZQV 4N/6 BL
Order No.	1528170000
GTIN (EAN)	4050118332926
Qty.	20 pc(s).
Type	ZQV 4N/50 RD
Order No.	2460730000
GTIN (EAN)	4050118476156
Qty.	5 pc(s).
Type	ZQV 4N/9 BL
Order No.	1528220000
GTIN (EAN)	4050118333107
Qty.	20 pc(s).
Type	ZQV 4N/3
Order No.	1527940000
GTIN (EAN)	4050118332865
Qty.	60 pc(s).
Type	ZQV 4N/4
Order No.	1527970000
GTIN (EAN)	4050118332889
Qty.	60 pc(s).
Type	ZQV 4N/5 BL
Order No.	1528140000
GTIN (EAN)	4050118333015
Qty.	60 pc(s).
Type	ZQV 4N/7 RD
Order No.	2460770000
GTIN (EAN)	4050118476194
Qty.	20 pc(s).
Type	ZQV 4N/8 RD
Order No.	2460760000
GTIN (EAN)	4050118476187
Qty.	20 pc(s).
Type	ZQV 4N/7
Order No.	1528020000
GTIN (EAN)	4050118332780
Qty.	20 pc(s).
Type	ZQV 4N/3 RD
Order No.	2460810000
GTIN (EAN)	4050118476231
Qty.	60 pc(s).

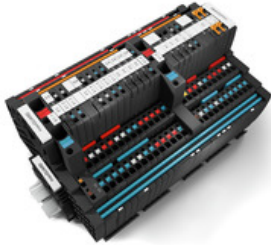
AMG ELM-6F

Weidmüller Interface GmbH & Co. KG
 Klingenbergstraße 26
 D-32758 Detmold
 Germany

www.weidmueller.com

Accessories

Standard version for machine construction



Efficient machine and facility operation calls for fail-safe and maintenance-friendly control voltage distribution that can be installed in a time and space-saving manner.

With the new maxGUARD system, the terminal blocks (previously installed separately) for distributing potential to the outputs of the electronic load monitors become an integral part of a 24 V DC control voltage distribution system.

The innovative combination of load monitoring and potential distribution saves time during installation, increases safety against failure and reduces the amount of space required on the terminal rail by 50%.

General ordering data

Type	AMG OD	Version
Order No.	2122910000	Potential distributor
GTIN (EAN)	4050118425185	
Qty.	10 pc(s).	
Type	AMG PD	Version
Order No.	2122920000	Potential distributor
GTIN (EAN)	4050118425321	
Qty.	10 pc(s).	
Type	AMG EP 2010	Version
Order No.	2495380000	Fastening element
GTIN (EAN)	4050118505306	
Qty.	30 pc(s).	
Type	AMG DIS	Version
Order No.	2123050000	Potential distributor
GTIN (EAN)	4050118425413	
Qty.	10 pc(s).	
Type	AMG PP	Version
Order No.	2123000000	Partition plate
GTIN (EAN)	4050118425338	
Qty.	40 pc(s).	
Type	AMG MD	Version
Order No.	2122930000	Potential distributor
GTIN (EAN)	4050118425192	
Qty.	10 pc(s).	

X-ON Electronics

Largest Supplier of Electrical and Electronic Components

Click to view similar products for [Circuit Breakers](#) category:

Click to view products by [Weidmuller](#) manufacturer:

Other Similar products are found below :

[LUGZX66-1-61-20.0-44](#) [M39019/01-201S](#) [M39019/01-221](#) [M39019/01-323](#) [M39019/01-333](#) [M39019/01-336](#) [M39019/02-248](#) [M39019/02-311](#) [M39019/02-316](#) [M39019/04-249S](#) [M39019/05-246S](#) [M39019/06-254S](#) [M55629/1-016](#) [M55629/1-018](#) [M55629/1-021](#) [M55629/1-033](#) [M55629/1-036](#) [M55629/1-046](#) [M55629/1-048](#) [M55629/1-058](#) [M55629/1-067](#) [M55629/1-070](#) [M55629/1-079](#) [M55629/1-084](#) [M55629/1-085](#) [M55629/1-101](#) [M55629/1-109](#) [M55629/11-102](#) [M55629/1-120](#) [M55629/12-045](#) [M55629/12-046](#) [M55629/1-330](#) [M55629/1-366](#) [M55629/1-387](#) [M55629/1-401](#) [M55629/1-450](#) [M55629/2-022](#) [M55629/2-030](#) [M55629/2-072](#) [M55629/2-082](#) [M55629/2-099](#) [M55629/2-101](#) [M55629/2-102](#) [M55629/21-BM-BM](#) [M55629/21-HM-HM](#) [M55629/21-NS-NS](#) [M55629/22-NR-NR-NR](#) [M55629/22-RS-RS-RS](#) [M55629/2-347](#) [M55629/2-401](#)