

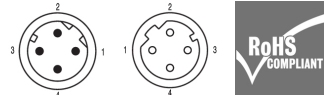
**HDC XX5E01 MFSXXXX-0100****Weidmüller Interface GmbH & Co. KG**

Klingenbergstraße 26

D-32758 Detmold

Germany

www.weidmueller.com

**Compact**

The new two-pole bus module is extremely compact and can accommodate both megabit and gigabit data inserts. It enables the connection of 2 Gigabit Cat 6A cables (10 gigabit) to one module.

**General ordering data**

Version	Data use
Order No.	<a href="#">2453550100</a>
Type	HDC XX5E01 MFSXXXX-0100
GTIN (EAN)	4050118467284
Qty.	1 pc(s).

Creation date September 17, 2022 10:46:27 PM CEST

Catalogue status 09.09.2022 / We reserve the right to make technical changes.

## HDC XX5E01 MFSXXX-0100

Weidmüller Interface GmbH &amp; Co. KG

Klingenbergstraße 26

D-32758 Detmold

Germany

www.weidmueller.com

## Technical data

## Dimensions and weights

Net weight	92 g
------------	------

## Temperatures

Limit temperature	-30 °C ... 90 °C
-------------------	------------------

## Environmental Product Compliance

REACH SVHC	Lead 7439-92-1	SCIP	2ac5c63f-7f5e-465a-860d-49cfb7bbe
------------	----------------	------	-----------------------------------

## General data

Cable length	1 m	Category	Cat. 5e
Coding	D	Contact surface	Au (Gold)
Insulation strength	$\geq 10^8 \Omega$	Module side version	Male
Number of poles	4	Opposite side version	Female, straight
Plugging cycles	$\geq 100$	Pollution severity	2
Rated current	4 A	Rated voltage	250 V
Transmission rate	100 MBit/s	Type	Pin

## Cable technical specifications

Cable length	1 m	
Colour coding	white, yellow, blue, orange	
Halogen	No, halogen-free	
Insulation	PE	
Outside diameter	6.5 mm $\pm$ 0.2	
Outside diameter	Diameter	6.5 mm
	Signs	$\pm$
	Tolerance	0.2
Sheath material	PUR	
Sheathing colour	green	
Shielded	Yes	

## Classifications

ETIM 6.0	EC002599	ETIM 7.0	EC002599
ETIM 8.0	EC002599	ECLASS 9.0	27-06-03-07
ECLASS 9.1	27-06-03-08	ECLASS 10.0	27-06-03-07
ECLASS 11.0	27-06-03-07	ECLASS 12.0	27-06-03-07

## Approvals

ROHS	Conform
------	---------

## Downloads

Engineering Data	<a href="#">CAD data – STEP</a>
Catalogues	<a href="#">Catalogues in PDF-format</a>
Brochures	

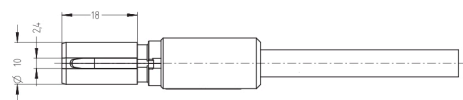
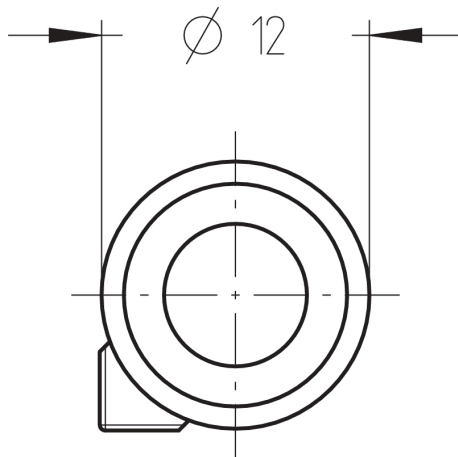
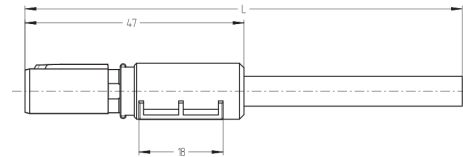
**HDC XX5E01 MFSXXXX-0100**

**Weidmüller Interface GmbH & Co. KG**  
 Klingenbergstraße 26  
 D-32758 Detmold  
 Germany

[www.weidmueller.com](http://www.weidmueller.com)

**Drawings**

M12		M12
1	yellow	1
2	white	2
3	orange	3
4	blue	4



## X-ON Electronics

Largest Supplier of Electrical and Electronic Components

*Click to view similar products for [Heavy Duty Power Connectors](#) category:*

*Click to view products by [Weidmuller](#) manufacturer:*

Other Similar products are found below :

[6646058-2](#) [6646137-1](#) [6646138-1](#) [6646940-1](#) [6651091-1](#) [6651525-1](#) [6651529-1](#) [696475-1](#) [702-32-01109](#) [73080255059](#) [73080965046](#)  
[7310205040001](#) [765-16-0080B](#) [765-18-0080D](#) [902-77-02113](#) [PS00/A0620/6300](#) [AN0024023](#) [154-42B7WM250](#) [MS3117-14AC](#) [1643543-1](#)  
[1766966-1](#) [1791340000](#) [NLDFT-3-BL-L-S120-M40A](#) [NLDFT-N-W-L-C240-M40B](#) [1926015-1](#) [NLS-3-BL-C240-M40B](#) [NLS-N-W-C240-](#)  
[M40B](#) [NPS-3-BL-T6](#) [2-1589900-8](#) [9300480317](#) [294-0091-01100](#) [296-0040-01100](#) [1-6609148-0](#) [A32595-0049](#) [1766249-1](#) [19000005132](#)  
[1926016-1](#) [1-966831-8](#) [AN0024202](#) [AN0264023](#) [279-0841-10100A](#) [281-0334-00100A](#) [RMSB4](#) [419-2083-301](#) [LCDX4/0-14B-X](#) [075-8519-](#)  
[001](#) [078238-1613](#) [07.470.3256.0](#) [09000005288](#) [09140240311](#)