

## UR20-8DI-PN-FSPS-V2

**Weidmüller Interface GmbH & Co. KG**  
Klingenbergstraße 26  
D-32758 Detmold  
Germany

[www.weidmueller.com](http://www.weidmueller.com)

### Product image, Similar to illustration



### SIL3; OSSD outputs; wire breakage and short-circuit detection

Safety technology is of central importance in industrial automation and machine building. If you want to reduce risks and avoid dangers for people and environment, you need solutions which satisfy stringent requirements and statutory specifications. The safety modules of the u-remote system have key features such as emergency-stop circuits and wire-breakage or short-circuit detection. They meet all SIL 3 requirements according to IEC 62061 and EN ISO 13849-1, category 4, PL e, and support the safe operation of your system.

By safely shutting down the downstream output modules, the safety modules attain maximum safety with optimum control. All input sensors are independently supplied via separate voltage paths and report the current machine status to the control unit. Restarting is either carried out in manual mode or using the autostart function. In addition, Weidmüller safety modules reduce maintenance and service times and improve response times in case of emergency – thanks to a concept of maximum transparency, e.g. using OSSD outputs.

The module electronics supply the connected actuators from the output current path ( $U_{OUT}$ ).

### General ordering data

Version	Remote I/O module, IP20, Safety, Digital signals, 8-channel
Order No.	<a href="#">2464590000</a>
Type	UR20-8DI-PN-FSPS-V2
GTIN (EAN)	4050118479294
Qty.	1 pc(s).
Replacement parts	<a href="#">1350970000</a> <a href="#">2465950000</a>

## UR20-8DI-PN-FSPS-V2

Weidmüller Interface GmbH &amp; Co. KG

Klingenbergstraße 26

D-32758 Detmold

Germany

www.weidmueller.com

## Technical data

## Dimensions and weights

Depth	76 mm	Depth (inches)	2.992 inch
Height	120 mm	Height (inches)	4.724 inch
Width	11.5 mm	Width (inches)	0.453 inch
Mounting dimension - height	128 mm	Net weight	88.82 g

## Temperatures

Storage temperature	-40 °C ... +85 °C	Operating temperature	-20 °C ... +60 °C
---------------------	-------------------	-----------------------	-------------------

## Environmental Product Compliance

REACH SVHC	Lead 7439-92-1	SCIP	82327f13-cd27-455a-ab5b-a62e1996dcf8
------------	----------------	------	--------------------------------------

## digital inputs

Individual channel diagnosis	Yes	Input filter	configurable
Input type	Type 1 in acc. with IEC 61131-2, Type 3 in acc. with IEC 61131-2	Input voltage, high	> 11 V
Input voltage, low	< 5 V	Module diagnosis	Yes
Number	8	Number of digital inputs	8
Reverse polarity protection	Yes	Sensor connection	2-wire, 3-wire, 4-wire
Sensor supply	Yes		

## digital outputs

Individual channel diagnosis	Yes	Module diagnosis	Yes
Number	8	Sensor connection	2-wire, 3-wire, 4-wire

## Connection data

Number	8	Type of connection	PUSH IN
Wire connection cross section, finely stranded, max.	1.5 mm <sup>2</sup>	Wire connection cross section, finely stranded, min.	0.14 mm <sup>2</sup>
Wire cross-section, finely stranded, max. (AWG)	AWG 16	Wire cross-section, finely stranded, min. (AWG)	AWG 26
Wire cross-section, solid, max.	1.5 mm <sup>2</sup>	Wire cross-section, solid, max. (AWG)	AWG 16
Wire cross-section, solid, min.	0.14 mm <sup>2</sup>	Wire cross-section, solid, min. (AWG)	AWG 26

## General data

Air humidity (operation)	10% to 95%, non-condensing as per DIN EN 61131-2
Air humidity (storage)	10% to 95%, non-condensing as per DIN EN 61131-2
Air humidity (transport)	10% to 95%, non-condensing as per DIN EN 61131-2
Air pressure (operation)	≥ 795 hPa (height ≤ 2000 m) as per DIN EN 61131-2
Air pressure (storage)	1013 hPa (height 0 m) to 700 hPa (height 3000 m) as per DIN EN 61131-2
Air pressure (transport)	1013 hPa (height 0 m) to 700 hPa (height 3000 m) as per DIN EN 61131-2
Pollution severity	2
Rail	TS 35

## UR20-8DI-PN-FSPS-V2

Weidmüller Interface GmbH &amp; Co. KG

Klingenbergstraße 26

D-32758 Detmold

Germany

www.weidmueller.com

## Technical data

Restricted area	Positive expansion	X coordinate	43 mm
		Y coordinate	160 mm
		Z coordinate	85 mm
	Negative expansion	Z coordinate	0 mm
		Y coordinate	-40 mm
X coordinate		-28 mm	
Type of restricted area		thermal	
Shock	15 g over 11 ms, half sinus wave, acc. to IEC 60068-2-27		
Surge voltage category	II		
Test voltage	500 V		
UL 94 flammability rating	V-0		
Vibration resistance	5 Hz ≤ f ≤ 8.4 Hz: 3.5-mm amplitude as per IEC 60068-2-6, 8.4 Hz ≤ f ≤ 150 Hz: 1 g acceleration as per IEC 60068-2-6		

## Power supply

Current consumption from I <sub>IN</sub> (the respective power segment)	30 mA	Current consumption from I <sub>OUT</sub> (the respective power segment)	30 mA
Current consumption from I <sub>sys</sub> , typ.	8 mA	Reverse polarity protection	Yes
Voltage supply	24 V DC +20 %/ -15 %, via the system bus		

## Safety-related data

MTTF	100 Years	Probability of outage PFH	Input, single-channel wiring: 2*10 <sup>-9</sup> ; Dual-channel wiring: 4.07*10 <sup>-11</sup> ;
Proportion of safety-related outages (SFF)	98 %		

## System data

Field bus protocol	PROFINET IRT, PROFIBUS DP-V1	Galvanic isolation	500 V DC between the current paths
Interface	u-remote system bus	Module type	Safe input module
Possible connection	2-wire, 4-wire	Transmission speed of system bus, max.	48 Mbit

## Classifications

ETIM 6.0	EC001599	ETIM 7.0	EC001599
ETIM 8.0	EC001599	ECLASS 9.0	27-24-26-05
ECLASS 9.1	27-24-26-05	ECLASS 10.0	27-24-26-05
ECLASS 11.0	27-24-26-05	ECLASS 12.0	27-24-26-05

## UR20-8DI-PN-FSPS-V2

**Weidmüller Interface GmbH & Co. KG**  
 Klingenbergstraße 26  
 D-32758 Detmold  
 Germany

www.weidmueller.com

## Technical data

### Approvals

Approvals



ROHS	Conform
UL File Number Search	UL Website
Certificate no. (cULus)	E141197
Certificate no. (cULusEX)	E223527

### Downloads

Approval/Certificate/Document of Conformity	<a href="#">Declaration of Conformity</a> <a href="#">TÜV_certificate_Safety-IO-module.pdf</a> <a href="#">DEMKO15ATEX1525X</a> <a href="#">UKCA Declaration of Conformity - EN</a>
Engineering Data	<a href="#">CAD data – STEP</a> <a href="#">Compatibility information – Combinability of UR20</a>
Engineering Data	<a href="#">EPLAN</a>
Product Change Notification	<a href="#">Release-Notes - Firmware</a>
Software	<a href="#">Firmware – Archive firmware UR20-8DI-PN-FSPS-V2</a> <a href="#">Runtime Software – CPD-Tool (PROFIsafe_parameter-checksum-generator)</a> <a href="#">Library and function block – SISTEMA library 2.0</a>
User Documentation	<a href="#">MAN_U-REMOTE_DE</a> <a href="#">MAN_U-REMOTE_EN</a> <a href="#">MAN_U-REMOTE_FS_DE</a> <a href="#">MAN_U-REMOTE_FS_EN</a> <a href="#">Application notes - PROFISAFE Siemens PLC STEP7 V5.5 EN</a> <a href="#">Application notes - PROFISAFE Siemens PLC TIA-Portal EN</a>
Catalogues	<a href="#">Catalogues in PDF-format</a>

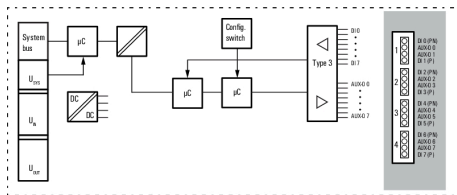
**UR20-8DI-PN-FSPS-V2**

**Weidmüller Interface GmbH & Co. KG**  
 Klingenbergstraße 26  
 D-32758 Detmold  
 Germany

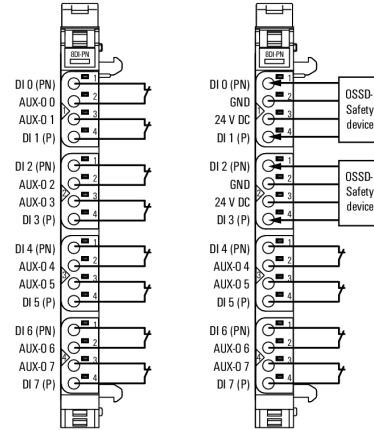
www.weidmueller.com

**Drawings**

**Block diagram**



**Connection diagram**



## X-ON Electronics

Largest Supplier of Electrical and Electronic Components

*Click to view similar products for [I/O Modules](#) category:*

*Click to view products by [Weidmuller](#) manufacturer:*

Other Similar products are found below :

[70L-OAC-L](#) [G21960000700](#) [G34960002700](#) [G88104401](#) [IDC-5B](#) [OACU](#) [C4SWOUT](#) [FC6A-T32K3](#) [SNAP-OAC5MA](#) [FC6A-N16B3](#)  
[FC6A-N32B3](#) [FC6A-T16P3](#) [G3TAOD201SDC24](#) [PB32HQ](#) [PB16T](#) [PB8](#) [PB8H](#) [C200H-OD211](#) [GT1-AD04CST](#) [GT1-DA04](#) [70GRCQ24-](#)  
[HS](#) [M-OAC5](#) [G4OAC24AMA](#) [2736505](#) [6202](#) [6402](#) [IL MOD BK DI8 DO4-PAC](#) [FC6A-J2C1](#) [FC6A-KC1C](#) [FC6A-N08A11](#) [FC6A-M24BR1](#)  
[FC6A-K4A1](#) [FC6A-T32P3](#) [9-1393028-2](#) [GP32900003700](#) [641-480-5022](#) [PB16H](#) [WISE-4050/LAN-B](#) [WISE-S614T-A](#) [ADAM-4068-C](#)  
[56475](#) [ADAM-4017+-F](#) [ADAM-4118-C](#) [AMAX-4856-B](#) [WISE-4050-B](#) [ADAM-4051-C](#) [ADAM-4053-F](#) [GT1-AD08MX](#) [TM5SDO6TBFS](#)  
[70Q3446](#)