

UR20-FBC-MOD-TCP-V2

Weidmüller Interface GmbH & Co. KG
 Klingenbergstraße 26
 D-32758 Detmold
 Germany

www.weidmueller.com

Product image, Similar to illustration



Similar to illustration



More performance. Simplified. u-remote.

Weidmüller u-remote – our innovative remote I/O concept with IP 20 which focuses purely on user benefits: tailored planning, faster installation, safer start-up, no more downtime. For considerably improved performance and greater productivity.

Reduce the size of your cabinets with u-remote, thanks to the narrowest modular design on the market and the need for fewer power-feed modules. Our u-remote technology also offers tool-free assembly, while the modular "sandwich" design and integrated web server speed up installation, both in the cabinet and machine. Status LEDs on the channel and each u-remote module enable reliable diagnosis and rapid service.

This and many other amazing ideas boost the availability of your machines and systems. And ensure smooth processes too. From planning to operation.

u-remote stands for "More Performance". Simplified

General ordering data

| | |
|-------------------|---|
| Version | Remote I/O fieldbus coupler, IP20, Ethernet, Modbus/TCP |
| Order No. | 2476450000 |
| Type | UR20-FBC-MOD-TCP-V2 |
| GTIN (EAN) | 4050118487367 |
| Qty. | 1 pc(s). |
| Replacement parts | 2485280000 |

UR20-FBC-MOD-TCP-V2

Weidmüller Interface GmbH & Co. KG

Klingenbergstraße 26

D-32758 Detmold

Germany

www.weidmueller.com

Technical data

Dimensions and weights

| | | | |
|-----------------------------|--------|-----------------|------------|
| Depth | 76 mm | Depth (inches) | 2.992 inch |
| Height | 120 mm | Height (inches) | 4.724 inch |
| Width | 52 mm | Width (inches) | 2.047 inch |
| Mounting dimension - height | 128 mm | Net weight | 223 g |

Temperatures

| | | | |
|---------------------|-------------------|-----------------------|-------------------|
| Storage temperature | -40 °C ... +85 °C | Operating temperature | -20 °C ... +60 °C |
|---------------------|-------------------|-----------------------|-------------------|

Environmental Product Compliance

| | | | |
|------------|----------------|------|--------------------------------------|
| REACH SVHC | Lead 7439-92-1 | SCIP | 98e19a7e-033b-4e68-93e3-c47b30de875e |
|------------|----------------|------|--------------------------------------|

Connection data

| | | | |
|--|----------------------|--|----------------------|
| Type of connection | PUSH IN | Wire connection cross section, finely stranded, max. | 1.5 mm ² |
| Wire connection cross section, finely stranded, min. | 0.14 mm ² | Wire cross-section, finely stranded, max. (AWG) | AWG 16 |
| Wire cross-section, finely stranded, min. (AWG) | AWG 26 | Wire cross-section, solid, max. | 1.5 mm ² |
| Wire cross-section, solid, max. (AWG) | AWG 16 | Wire cross-section, solid, min. | 0.14 mm ² |
| Wire cross-section, solid, min. (AWG) | AWG 26 | | |

General data

| | | | |
|---------------------------|--|--------------|---------|
| Air humidity (operation) | 10% to 95%, non-condensing as per DIN EN 61131-2 | | |
| Air humidity (storage) | 10% to 95%, non-condensing as per DIN EN 61131-2 | | |
| Air humidity (transport) | 10% to 95%, non-condensing as per DIN EN 61131-2 | | |
| Air pressure (operation) | ≥ 795 hPa (height ≤ 2000 m) as per DIN EN 61131-2 | | |
| Air pressure (storage) | 1013 hPa (height 0 m) to 700 hPa (height 3000 m) as per DIN EN 61131-2 | | |
| Air pressure (transport) | 1013 hPa (height 0 m) to 700 hPa (height 3000 m) as per DIN EN 61131-2 | | |
| Pollution severity | 2 | | |
| Rail | TS 35 | | |
| Restricted area | Positive expansion | X coordinate | 83.5 mm |
| | | Y coordinate | 160 mm |
| | | Z coordinate | 85 mm |
| | Negative expansion | Z coordinate | 0 mm |
| | | Y coordinate | -40 mm |
| | | X coordinate | -28 mm |
| Type of restricted area | thermal | | |
| Shock | 15 g over 11 ms, half sinus wave, acc. to IEC 60068-2-27 | | |
| Surge voltage category | II | | |
| Test voltage | 500 V | | |
| UL 94 flammability rating | V-0 | | |
| Vibration resistance | 5 Hz ≤ f ≤ 8.4 Hz: 3.5-mm amplitude as per IEC 60068-2-6, 8.4 Hz ≤ f ≤ 150 Hz: 1 g acceleration as per IEC 60068-2-6 | | |

Power supply

| | | | |
|---|---------|-----------|--|
| Current consumption from I _{sys} , typ. | 112 mA | | |
| Feed current for I _{IN} (input current path) | max. | 10,000 mA | |
| | min. | 10,000 mA | |
| | nominal | 10,000 mA | |

Creation date September 17, 2022 11:15:22 PM CEST

UR20-FBC-MOD-TCP-V2

Weidmüller Interface GmbH & Co. KG
 Klingenbergstraße 26
 D-32758 Detmold
 Germany

www.weidmueller.com

Technical data

Feed current for I_{IN} (input current path), 10 A
 max.

| | | |
|--|---------|-----------|
| Feed current for I_{OUT} (output current path) | nominal | 10,000 mA |
| | max. | 10,000 mA |
| | min. | 10,000 mA |

Feed current for I_{OUT} (output current path), max. 10 A

Feed current for the system, max. 4 A

Supply voltage for outputs 24 V DC +20 %/ -15 %

Supply voltage system and inputs 24 V DC +20 %/ -15 %

Voltage supply 24 V DC +20 %/ -15 %, via the system bus

System data

| | | | |
|--|---|--------------------------------------|----------------------------|
| Configuration interface | Micro USB 2.0 | Connection type | 2x RJ45 plug-in connectors |
| Diagnostic data | 1,024 Byte | Field bus protocol | Modbus/TCP |
| Fieldbus interface | Full / Half Duplex, Auto MDI/X, Autonegotiation | Interface | u-remote system bus |
| Module type | Bus coupler | Parameter data | 1,024 Byte |
| Process data | 1 kByte | Transmission rate of field bus, max. | 100 Mbit/s |
| Transmission speed of system bus, max. | 48 Mbit/s | max. number of modules | 64 |

Classifications

| | | | |
|-------------|-------------|-------------|-------------|
| ETIM 6.0 | EC001603 | ETIM 7.0 | EC001603 |
| ETIM 8.0 | EC001603 | ECLASS 9.0 | 27-24-26-07 |
| ECLASS 9.1 | 27-24-26-07 | ECLASS 10.0 | 27-24-26-07 |
| ECLASS 11.0 | 27-24-26-07 | ECLASS 12.0 | 27-24-26-07 |

Approvals

Approvals



| | |
|---------------------------|------------|
| ROHS | Conform |
| UL File Number Search | UL Website |
| Certificate no. (cULus) | E141197 |
| Certificate no. (cULusEX) | E223527 |

UR20-FBC-MOD-TCP-V2

Weidmüller Interface GmbH & Co. KG

Klingenbergstraße 26

D-32758 Detmold

Germany

www.weidmueller.com

Technical data

Downloads

| | |
|---|--|
| Approval/Certificate/Document of Conformity | Declaration of Conformity Compass safe distance certificate Lloyds Register certificate DNV/GL certificate ABS certificate RINA certificate Bureau Veritas - Type Approval Certificate PRS (Polish Register of Shipping) NIPPON KAIJI KYOKAI Certificate DEMKO 15ATEX1525X CCC certificate |
| Engineering Data | CAD data – STEP Compatibility information – Combinability of UR20 Application notes – Modbus/TCP master implementation in Node-RED Quick start guide – Modbus - Understanding Coils and Register |
| Engineering Data | EPLAN |
| Product Change Notification | Release-Notes - Firmware and Supported modules list |
| Software | Library and function block – WI-Manager, DTM-Library for online installation V.1.2.3 Library and function block – Language Pack UR20_FBC Firmware – Archiv Firmware files Modbus V2 coupler Firmware – Current Firmware file Modbus V2 coupler Driver – USB driver Release notes for Weidmueller FDT-DTM Software version 1.2.3. |
| User Documentation | MAN_U-REMOTE_DE MAN_U-REMOTE_EN MAN_UR20_WEBSERVER_DE MAN_UR20_WEBSERVER_EN 20211018 Security Advisory – Remote I/O fieldbus couplers (IP20) affected by INFRA:HALT vulnerabilities |
| Catalogues | Catalogues in PDF-format |

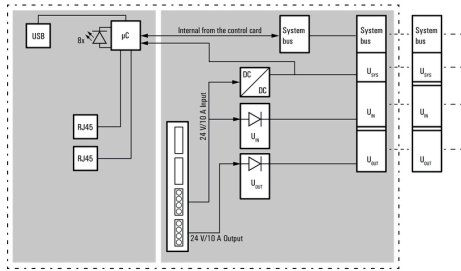
UR20-FBC-MOD-TCP-V2

Weidmüller Interface GmbH & Co. KG
 Klingenbergstraße 26
 D-32758 Detmold
 Germany

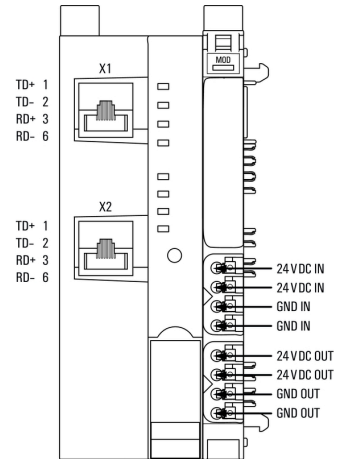
www.weidmueller.com

Drawings

Block diagram, Similar to illustration



Connection diagram



X-ON Electronics

Largest Supplier of Electrical and Electronic Components

Click to view similar products for [I/O Modules](#) category:

Click to view products by [Weidmuller](#) manufacturer:

Other Similar products are found below :

[70L-OAC-L](#) [G21960000700](#) [G34960002700](#) [G88104401](#) [IDC-5B](#) [OACU](#) [C4SWOUT](#) [FC6A-T32K3](#) [SNAP-OAC5MA](#) [FC6A-N16B3](#)
[FC6A-N32B3](#) [FC6A-T16P3](#) [G3TAOD201SDC24](#) [PB32HQ](#) [PB16T](#) [PB8](#) [PB8H](#) [C200H-OD211](#) [GT1-AD04CST](#) [GT1-DA04](#) [70GRCQ24-](#)
[HS](#) [M-OAC5](#) [G4OAC24AMA](#) [2736505](#) [6202](#) [6402](#) [IL MOD BK DI8 DO4-PAC](#) [FC6A-J2C1](#) [FC6A-KC1C](#) [FC6A-N08A11](#) [FC6A-M24BR1](#)
[FC6A-K4A1](#) [FC6A-T32P3](#) [9-1393028-2](#) [GP32900003700](#) [641-480-5022](#) [PB16H](#) [WISE-4050/LAN-B](#) [WISE-S614T-A](#) [ADAM-4068-C](#)
[56475](#) [ADAM-4017+-F](#) [ADAM-4118-C](#) [AMAX-4856-B](#) [WISE-4050-B](#) [ADAM-4051-C](#) [ADAM-4053-F](#) [GT1-AD08MX](#) [TM5SDO6TBFS](#)
[70Q3446](#)