

# Powerful Circuit Protection

## UL 489 and UL 1077 -

## AC/DC Rated Miniature Circuit Breakers

### Engineered Protection for Automation and Process Applications

- Thermal magnetic
- Available for B, C or D curve characteristics
- Common amperage values available 1A to 63A (see back page)

### Design Flexibility

- 1-, 2- and 3-pole options
- Optional accessory modules for signalling, change-over and remote tripping
- Optional cuttable busbars and busbar accessories

### Robust and Reliable

Wide operating temperature from -35°C...+70°C



### Easy Accessory Connection

Snap-together construction  
(No screws or extra parts needed)

### Global Approvals

UL, CSA, IEC, CE



Pharmaceutical and Food



Chemical, Oil and Gas



Automotive Manufacturing



Rail Vehicles



## Part Number Nomenclature

**MCB489 or 1077    2    D    60    AC/DC**

MCB489= Branch Rated Circuit Breakers

MCB1077= Supplementary Protectors

No. of Poles = 1, 2 or 3

AC/DC Rated

Rated Amps = 1, 1.2, 1.5, 1.6, 2,  
3, 4, 5, 6, 7, 8, 10, 12, 13, 15, 16,  
20, 25, 30, 32, 35, 40, 50, 60, 63

Curve = B, C or D

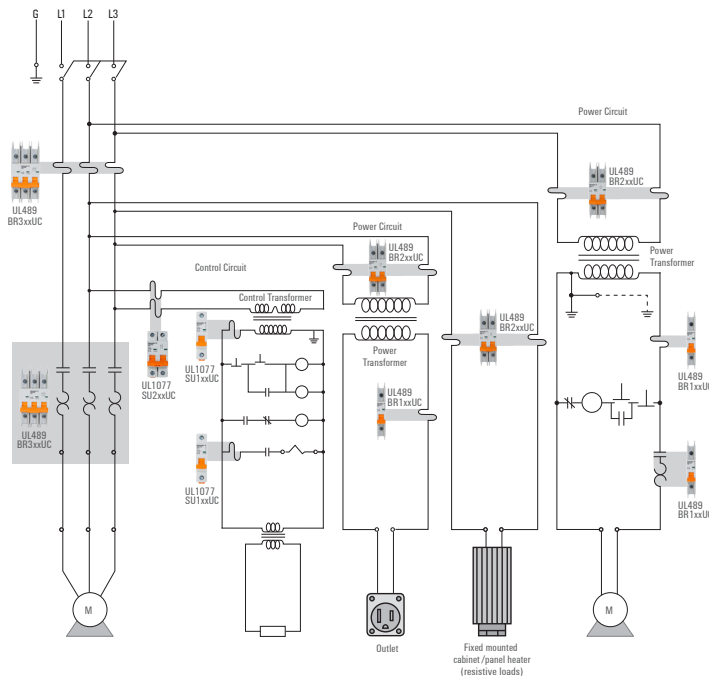
### Sample Part Number

Branch Rated	Description
2477400000	MCB 489 2P B 10A ACDC
Supplementary Protectors	Description
2481360000	MCB 1077 3P D 20A ACDC

### Sample Cuttable Busbars for UL 489 and UL 1077 Circuit Breakers

No. of Poles	No. of Devices	No. of Pins	Description	Part Number
1-Pole	57	57	MCB BUS BAR UL489 1 POLE 57 PIN	7940099236
			MCB BUS BAR UL1077 1 POLE 57 PIN	7940104909
2-Pole	28	56	MCB BUS BAR UL489 2 POLE 56 PIN	7940104909
			MCB BUS BAR UL1077 2 POLE 56 PIN	7940104909
3-Pole	19	57	MCB BUS BAR UL489 3 POLE 57 PIN	7940104509
			MCB BUS BAR UL1077 3 POLE 57 PIN	7940099418
3-Pole with Auxiliary Module Spacing	16	48	MCB BUS BAR UL489 3 POLE 48 PIN AUX	7940104508
			MCB BUS BAR UL1077 3 POLE 48 PIN AUX	7940104913

## Typical Installation



### Accessory Modules

Type	Description	Part Number
Auxiliary Contact	MCB AUX Contact 1NC	7940099227
Bell Alarm Contact	MCB Bell Alarm Contact 1NC/1NO	7940099228
Shunt Trip	MCB SHUNT 1NC/1NO 24VDC	7940099319
	MCB SHUNT 1NC/1NO 120VAC	7940104510

### Busbar Accessories for UL 489 Cuttable Busbars

Description	Part Number
Feeder Terminal, UL 489, 115 A	7940099232
Endcap for UL 489 Cuttable Busbar	7940099230
Protective Cap for UL 489 cuttable busbar, 3 caps per bar	7940099230
Lock-on, Lock-off Device	7940099734

For UL 1077 Supplementary Busbar Accessories see LIT1617 Product Guide

## Information

Information is available for download on the web at [www.weidmuller.com/circuit](http://www.weidmuller.com/circuit).

Ref. No.	Description
LIT1617	MCB ACDC Series Product Guide

Weidmüller, Mexico  
Blvd. Hermanos Serdán 698,  
Col. San Rafael Oriente  
Puebla, Puebla, Mexico  
C.P. 72029  
Telephone: 01 222 2686267  
Facsimile: 01 222 2686219  
Email: [clientes@weidmuller.com.mx](mailto:clientes@weidmuller.com.mx)  
Website: [www.weidmuller.com.mx](http://www.weidmuller.com.mx)

Weidmüller, Canada  
10 Spy Court  
Markham, Ontario L3R 5H6  
Telephone: (800) 268-4080  
Facsimile: (905) 475-2798  
Email: [info1@weidmuller.ca](mailto:info1@weidmuller.ca)  
Website: [www.weidmuller.ca](http://www.weidmuller.ca)

Weidmüller, United States  
821 Southlake Blvd.  
Richmond, Virginia 23236  
Telephone: (800) 849-9343  
Facsimile: (804) 379-2593  
Email: [customerservice@weidmuller.com](mailto:customerservice@weidmuller.com)  
Website: [www.weidmuller.com](http://www.weidmuller.com)

**Weidmüller** 

## X-ON Electronics

Largest Supplier of Electrical and Electronic Components

*Click to view similar products for [Circuit Breakers](#) category:*

*Click to view products by [Weidmuller](#) manufacturer:*

Other Similar products are found below :

[LUGZX66-1-61-20.0-44](#) [M39019/01-201](#) [M39019/01-221](#) [M39019/01-323](#) [M39019/01-336](#) [M39019/02-248](#) [M39019/02-311](#) [M39019/02-316](#) [M39019/04-249S](#) [M39019/05-246S](#) [M39019/06-254S](#) [M55629/1-016](#) [M55629/1-018](#) [M55629/1-021](#) [M55629/1-033](#) [M55629/1-036](#) [M55629/1-046](#) [M55629/1-048](#) [M55629/1-058](#) [M55629/1-067](#) [M55629/1-070](#) [M55629/1-079](#) [M55629/1-084](#) [M55629/1-085](#) [M55629/1-101](#) [M55629/1-109](#) [M55629/11-102](#) [M55629/1-120](#) [M55629/12-045](#) [M55629/12-046](#) [M55629/1-330](#) [M55629/1-366](#) [M55629/1-387](#) [M55629/1-401](#) [M55629/2-022](#) [M55629/2-030](#) [M55629/2-072](#) [M55629/2-082](#) [M55629/2-099](#) [M55629/2-101](#) [M55629/2-102](#) [M55629/21-BM-BM](#) [M55629/21-HM-HM](#) [M55629/21-NS-NS](#) [M55629/22-NR-NR-NR](#) [M55629/22-RS-RS-RS](#) [M55629/2-347](#) [M55629/2-401](#) [M55629/2-413](#) [M55629/3-030](#)