

ENERGY METER 610-230

Weidmüller Interface GmbH & Co. KG

Klingenbergstraße 26

D-32758 Detmold

Germany

www.weidmueller.com



Energy meters - ValueLine

Advanced functionality of energy data capture

The scope of performance of the ValueLine energy meters goes beyond the core functions of energy measurement.

They are also suitable for determining, storing and visualising further energy quality parameters.

The free "ecoExplorer go" software is available for most types of the product group, on the one hand for device configuration / commissioning / visualisation of the measured values and on the other hand for analysing the power quality.

General ordering data

| | |
|------------|----------------------------|
| Version | Supply voltage : 230 V |
| Order No. | 2540850000 |
| Type | ENERGY METER 610-230 |
| GTIN (EAN) | 4050118552973 |
| Qty. | 1 pc(s). |

Creation date September 18, 2022 12:12:25 AM CEST

Catalogue status 09.09.2022 / We reserve the right to make technical changes.

ENERGY METER 610-230

Weidmüller Interface GmbH & Co. KG

Klingenbergstraße 26

D-32758 Detmold

Germany

www.weidmueller.com

Technical data

Dimensions and weights

| | | | |
|------------|-------|-----------------|------------|
| Depth | 65 mm | Depth (inches) | 2.559 inch |
| Height | 96 mm | Height (inches) | 3.78 inch |
| Width | 96 mm | Width (inches) | 3.78 inch |
| Net weight | 250 g | | |

Temperatures

| | | | |
|-----------------------|----------------|-----------------------------------|-------------|
| Storage temperature | -25 °C...70 °C | Humidity at storage temperature | 0...90 % RH |
| Operating temperature | -10 °C...55 °C | Humidity at operating temperature | 0 - 75% RH |

Measuring current input

| | | | |
|--------------------------------|---------|--------------------------------|-------|
| Current-measuring channels | 4 | Distortion factor THD-I in % | Yes |
| Harmonics, per order / current | 1.-40. | Measuring accuracy for current | 0.2 % |
| Rated current | 1 / 5 A | Residual current measuring | No |

Measuring voltage input

| | | | |
|------------------------------------|--------|------------------------------------|-------|
| Distortion factor THD-U in % | Yes | Four-wire system | Yes |
| Harmonics, per order / voltage | 1.-40. | Measurement range, voltage L-L, AC | 480 V |
| Measurement range, voltage L-N, AC | 277 V | Measuring accuracy for voltage | 0.2 % |
| Quadrants | 4 | Three-wire system | Yes |

Communication

| | | | |
|-----------|---------------------------------|----------|------------|
| Interface | RS485: 9,6 – 115,2 kbps, USB | Protocol | Modbus RTU |
|-----------|---------------------------------|----------|------------|

Inputs/outputs

| | | | |
|--------------------------|---|---------------------------|----|
| Number of digital inputs | 4 | Number of digital outputs | 6 |
| Number of pulse outputs | 6 | Temperature input | No |

Measurement data recording

| | | | |
|------------------------------------|----------|--------------------------|-----------------|
| Memory; minimum and maximum values | Yes | Memory size | 256 MB |
| Number of memory values | 10,000 k | Update interval register | 200 ms |
| Min. memory recording interval | 60 s | Software | ecoExplorer go® |
| Integrated logic | Yes | | |

ENERGY METER 610-230

Weidmüller Interface GmbH & Co. KG

Klingenbergstraße 26

D-32758 Detmold

Germany

www.weidmueller.com

Technical data

Technical data

| | | | |
|--|--|---|---------------|
| Protection degree | IP20, IP40 | Rated current | 1 / 5 A |
| Standards | DIN EN 61326, IEC 61010-1, IEC 61010-2-030 | Measurement range, voltage L-N, AC | 277 V |
| Measurement range, voltage L-L, AC | 480 V | Surge voltage category | 300 V CAT III |
| Voltage supply | 90 - 277 V AC (50/60 Hz), 90 - 250 V DC | Supply voltage | 230 V |
| Three-wire system | Yes | Four-wire system | Yes |
| Quadrants | 4 | Sampling frequency 50/60 Hz | 25.6 kHz |
| Continuous measurements | Yes | Measurement result per second | 5 |
| Effective value from the period (50/60 Hz) | 10 / 12 | Residual current measuring | No |
| Current-measuring channels | 4 | Measuring accuracy for voltage | 0.2 % |
| Measuring accuracy for current | 0.2 % | Measurement accuracy for active energy (kWh, .../5 A) | Class 0.5S |
| Operating-hours counter | Yes | Weekly time switch | No |
| Clock | Yes | Bimetal function | Yes |

Voltage quality measurement

| | | | |
|--------------------------------|--------|--------------------------------------|--------|
| Harmonics, per order / voltage | 1.-40. | Harmonics, per order / current | 1.-40. |
| Distortion factor THD-U in % | Yes | Distortion factor THD-I in % | Yes |
| Unbalanced | No | Positive, negative and zero system | Yes |
| Brief interruptions | No | Sequence-of-events recorder function | No |

Insulation coordination

| | |
|------------------------|---------------|
| Surge voltage category | 300 V CAT III |
|------------------------|---------------|

Classifications

| | | | |
|-------------|-------------|-------------|-------------|
| ETIM 6.0 | EC002301 | ETIM 7.0 | EC002301 |
| ETIM 8.0 | EC002301 | ECLASS 9.0 | 27-14-23-30 |
| ECLASS 9.1 | 27-21-03-01 | ECLASS 10.0 | 27-14-23-30 |
| ECLASS 11.0 | 27-14-23-30 | ECLASS 12.0 | 27-14-23-30 |

Approvals

Approvals



| | |
|-------------------------|------------|
| Approvals | CE |
| ROHS | Conform |
| UL File Number Search | UL Website |
| Certificate no. (cULus) | E469563 |

ENERGY METER 610-230

Weidmüller Interface GmbH & Co. KG
Klingenbergstraße 26
D-32758 Detmold
Germany

www.weidmueller.com

Technical data

Downloads

| | |
|---|---|
| Approval/Certificate/Document of Conformity | KC-Certification Declaration of Conformity |
| Engineering Data | CAD data – STEP |
| Software | Device description – MODBUS address list Device description – GSD DATA Runtime Software – Win64 - ecoExplorer go Driver – USB File |
| User Documentation | Quick Guide German/English Manual ECOEXPLORER GO English Manual Energy Meter 610 PB German/English |
| Catalogues | Catalogues in PDF-format |

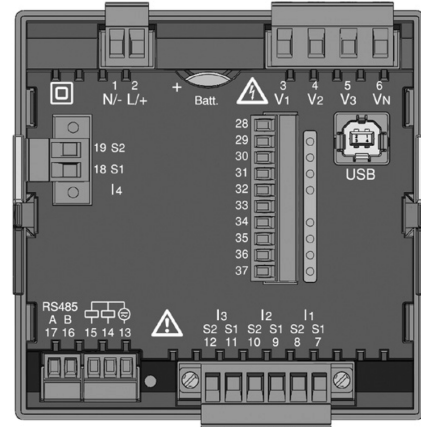
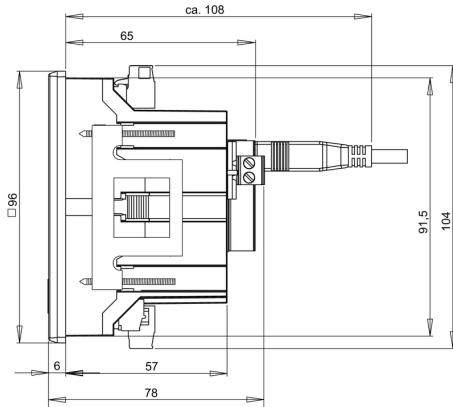
ENERGY METER 610-230

Weidmüller Interface GmbH & Co. KG
 Klingenbergstraße 26
 D-32758 Detmold
 Germany

www.weidmueller.com

Drawings

Dimensioned drawing



X-ON Electronics

Largest Supplier of Electrical and Electronic Components

Click to view similar products for [Digital Panel Meters](#) category:

Click to view products by [Weidmuller](#) manufacturer:

Other Similar products are found below :

[M00558-00](#) [70.360.4828.0](#) [72331-00](#) [85310-25](#) [86642-00](#) [87268-13](#) [87316-00](#) [87719-26](#) [98107-56](#) [HB8260-R36-90](#) [25.325.3253.1](#)
[25.325.4253.1](#) [25.330.0453.1](#) [20046-20](#) [20182-23](#) [AP1021](#) [25.320.5053.0](#) [25.350.3453.1](#) [25.394.3653.1](#) [25.521.3253.0](#) [28006-01](#)
[04.630.1080.0](#) [20078-20](#) [EM11DINAV81XO1X](#) [87166-00](#) [87895-00](#) [28000-03](#) [82322K-11](#) [86641-00](#) [87004-00](#) [HB8280R2490](#)
[HB8260R4890](#) [20125-21](#) [86640-00](#) [2CMA100180R1000](#) [2CMA100183R1000](#) [F451730](#) [F452710](#) [LE-03M-CT](#) [039-90212-0000-1/2A-0-](#)
[200/400A-96X96MM](#) [MT4W-AV-4N](#) [MT4W-DA-4N](#) [MT4W-DV-4N](#) [DMG 100](#) [DMG 110](#) [DMK 01 R1](#) [DMK 22](#) [DMK 70 R1](#) [DPM3AS-](#)
[BL](#) [EMA1710](#)