

ENERGY METER 750-230

Weidmüller Interface GmbH & Co. KG

Klingenbergstraße 26

D-32758 Detmold

Germany

www.weidmueller.com



Energy meters - ValueLine

Advanced functionality of energy data capture

The scope of performance of the ValueLine energy meters goes beyond the core functions of energy measurement.

They are also suitable for determining, storing and visualising further energy quality parameters.

The free "ecoExplorer go" software is available for most types of the product group,

on the one hand for device configuration / commissioning / visualisation of the measured values and on the other hand for analysing the power quality.

General ordering data

Version	Supply voltage : 230 V
Order No.	2540910000
Type	ENERGY METER 750-230
GTIN (EAN)	4050118553239
Qty.	1 pc(s).

Creation date September 17, 2022 11:58:00 PM CEST

Catalogue status 09.09.2022 / We reserve the right to make technical changes.

ENERGY METER 750-230

Weidmüller Interface GmbH & Co. KG

Klingenbergstraße 26

D-32758 Detmold

Germany

www.weidmueller.com

Technical data

Dimensions and weights

Depth	72 mm	Depth (inches)	2.835 inch
Height	96 mm	Height (inches)	3.78 inch
Width	96 mm	Width (inches)	3.78 inch
Net weight	250 g		

Temperatures

Storage temperature	-25 °C...70 °C	Humidity at storage temperature	0...90 % RH
Operating temperature	-10 °C...55 °C	Humidity at operating temperature	0 - 75% RH

Measuring current input

Current-measuring channels	4 + 2	Distortion factor THD-I in %	Yes
Harmonics, per order / current	1.-40.	Measuring accuracy for current	0.2 %
Rated current	1 / 5 A	Residual current measuring	Yes

Measuring voltage input

Distortion factor THD-U in %	Yes	Four-wire system	Yes
Harmonics, per order / voltage	1.-40.	Measurement range, voltage L-L, AC	480 V
Measurement range, voltage L-N, AC	277 V	Measuring accuracy for voltage	0.2 %
Quadrants	4	Three-wire system	Yes

Communication

Interface	Protocol	Modbus RTU, Modbus-Gateway, Modbus TCP/IP, Modbus RTU over Ethernet, SNMP, BACnet (optional)
RS485: 9,6 – 115,2 kbps, Ethernet, Web server/e-mail		

Inputs/outputs

Number of digital inputs	3	Number of digital outputs	5
Analogue inputs (RCM, temperature, analogue)	2	Number of pulse outputs	5
Temperature input	Yes		

Measurement data recording

Memory; minimum and maximum values	Yes	Memory size	256 MB
Number of memory values	10,000 k	Update interval register	200 ms
Min. memory recording interval	60 s	Software	ecoExplorer go®
Integrated logic	Yes		

ENERGY METER 750-230

Weidmüller Interface GmbH & Co. KG

Klingenbergstraße 26

D-32758 Detmold

Germany

www.weidmueller.com

Technical data

Technical data

Input frequency	< 20 Hz	Protection degree	IP20, IP40
Rated current	1 / 5 A	Standards	IEC 61010-2-030, IEC 61010-1, IEC 61326-1
Measurement range, voltage L-N, AC	277 V	Measurement range, voltage L-L, AC	480 V
Surge voltage category	300 V CAT III	Voltage supply	90 - 277 V AC (50/60 Hz), 90 - 250 V DC
Supply voltage	230 V	Three-wire system	Yes
Four-wire system	Yes	Quadrants	4
Sampling frequency 50/60 Hz	25.6 kHz	Continuous measurements	Yes
Measurement result per second	5	Effective value from the period (50/60 Hz)	10 / 12
Residual current measuring	Yes	Current-measuring channels	4 + 2
Measuring accuracy for voltage	0.2 %	Measuring accuracy for current	0.2 %
Measurement accuracy for active energy (kWh, .../5 A)	Class 0.5S	Operating-hours counter	Yes
Clock	Yes	Bimetal function	Yes

Voltage quality measurement

Harmonics, per order / voltage	1.-40.	Harmonics, per order / current	1.-40.
Distortion factor THD-U in %	Yes	Distortion factor THD-I in %	Yes
Unbalanced	No	Positive, negative and zero system	Yes
Brief interruptions	Yes	Sequence-of-events recorder function	No

Insulation coordination

Surge voltage category	300 V CAT III
------------------------	---------------

Classifications

ETIM 6.0	EC002301	ETIM 7.0	EC002301
ETIM 8.0	EC002301	ECLASS 9.0	27-14-23-30
ECLASS 9.1	27-21-03-01	ECLASS 10.0	27-14-23-30
ECLASS 11.0	27-14-23-30	ECLASS 12.0	27-14-23-30

Approvals

Approvals



Approvals	CE
ROHS	Conform
UL File Number Search	UL Website
Certificate no. (cULus)	E469563

ENERGY METER 750-230

Weidmüller Interface GmbH & Co. KG
Klingenbergstraße 26
D-32758 Detmold
Germany

www.weidmueller.com

Technical data

Downloads

Approval/Certificate/Document of Conformity	KC-Certification Declaration of Conformity
Engineering Data	CAD data – STEP
Software	Device description – MODBUS address list Runtime Software – Win64 - ecoExplorer.go
User Documentation	Quick Guide German/English Manual ECOEXPLORER GO English Manual Energy Meter 750 German/English
Catalogues	Catalogues in PDF-format

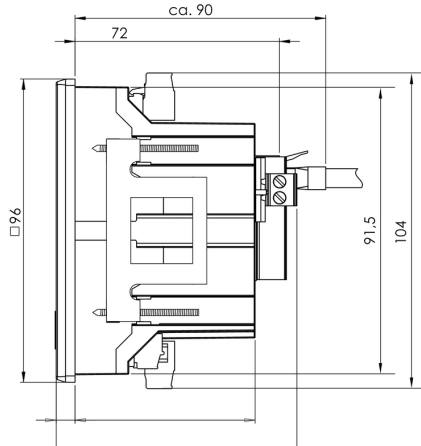
ENERGY METER 750-230

Weidmüller Interface GmbH & Co. KG
 Klingenbergstraße 26
 D-32758 Detmold
 Germany

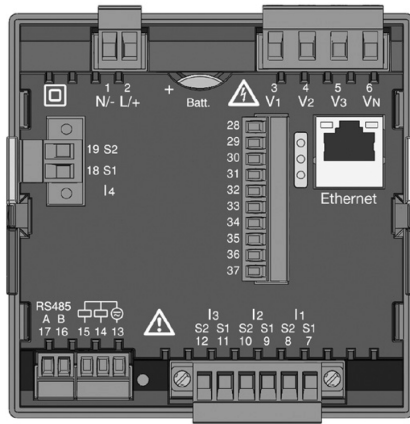
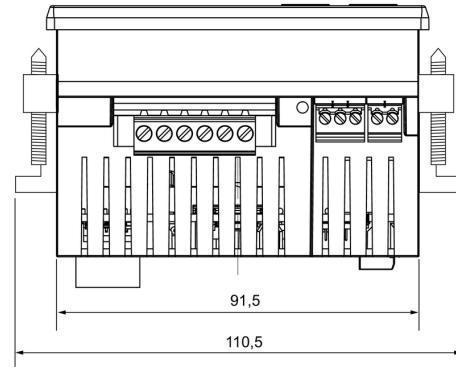
www.weidmueller.com

Drawings

Dimensioned drawing



Dimensioned drawing



X-ON Electronics

Largest Supplier of Electrical and Electronic Components

Click to view similar products for [Digital Panel Meters](#) category:

Click to view products by [Weidmuller](#) manufacturer:

Other Similar products are found below :

[M00558-00](#) [70.360.4828.0](#) [72331-00](#) [85310-25](#) [86642-00](#) [87268-13](#) [87316-00](#) [87719-26](#) [98107-56](#) [HB8260-R36-90](#) [25.325.3253.1](#)
[25.325.4253.1](#) [25.330.0453.1](#) [20046-20](#) [20182-23](#) [AP1021](#) [25.320.5053.0](#) [25.350.3453.1](#) [25.394.3653.1](#) [25.521.3253.0](#) [28006-01](#)
[04.630.1080.0](#) [20078-20](#) [EM11DINAV81XO1X](#) [87166-00](#) [87895-00](#) [28000-03](#) [K3GN-NDT1-FLK 24VDC](#) [82322K-11](#) [86641-00](#) [87004-00](#)
[HB8280R2490](#) [HB8260R4890](#) [20125-21](#) [86640-00](#) [2CMA100180R1000](#) [2CMA100183R1000](#) [F451730](#) [F452710](#) [LE-03M-CT](#) [039-90212-](#)
[0000-1/2A-0-200/400A-96X96MM](#) [MT4W-AV-4N](#) [MT4W-DA-4N](#) [MT4W-DV-4N](#) [DMG 100](#) [DMG 110](#) [DMG 800 L01](#) [DMK 01 R1](#)
[DMK 22](#) [DMK 70 R1](#)