

## TFIS 12-240VUC 2NO SD

**Weidmüller Interface GmbH & Co. KG**  
 Klingenbergstraße 26  
 D-32758 Detmold  
 Germany

www.weidmueller.com

### Product image



Compact timing relays for building and factory automation

Our TFI-SERIES consists of five different devices covering the most important applications in building and factory automation. Four of these carry out individual functions: clock generator (pause and pulse start), star-delta switch, switch-on delay and off-delay with control input. There is also a multifunctional version with seven different timing functions. The timing functions and time ranges can be easily configured using a rotary switch fitted on the front. All of the devices meet the international standards according to EN 61812 and have UL approval for the North American market.

- Available in installation design and compact industrial design
- Simple configuration via setting potentiometers and status LED
- Compliance with international standards according to EN 61812
- UL approved for the North American market

### General ordering data

|            |  |
|------------|--|
| Version    | TFI-SERIES, Star-Delta Timer, Number of contacts: 2, NO contact, AgNi, Rated control voltage: 12...240 V UC -10 % / +10 %, Continuous current: 3 A, Screw connection |
| Order No.  | <a href="#">2697270000</a>   |
| Type       | TFIS 12-240VUC 2NO SD  |
| GTIN (EAN) | 4050118705270  |
| Qty.       | 1 pc(s).   |

**TFIS 12-240VUC 2NO SD**
**Weidmüller Interface GmbH & Co. KG**

Klingenbergstraße 26

D-32758 Detmold

Germany

www.weidmueller.com

**Technical data**
**Dimensions and weights**

|            |        |                 |            |
|------------|--------|-----------------|------------|
| Depth      | 75 mm  | Depth (inches)  | 2.953 inch |
| Height     | 67 mm  | Height (inches) | 2.638 inch |
| Width      | 225 mm | Width (inches)  | 8.858 inch |
| Net weight | 81 g   |                 |            |

**Temperatures**

|                     |   |                       |                |
|---------------------|---|-----------------------|----------------|
| Storage temperature | -40 °C...70 °C                          | Operating temperature | -25 °C...60 °C |
| Humidity            | 5...95 % rel. humidity, no condensation |                       |                |

**Control side**

|                       |   |  |   |
|-----------------------|---|--|---|
| Rated control voltage | 12...240 V UC -10 % / +10 %   | Power rating                               | 500 mVA, 180 mW                                     |
| Status indicator      | LED green (U/t) flashes: star-relay closed, time runs, LED green (U/t) lights permanently: delta-relay closed, time runs, LED yellow (R): star-relay closed | Time ranges                                | 0.5 s - 10 s, 1.5 s - 30 s, 3 s - 60 s, 9 s - 180 s |
| Setting tolerance     | 5 %   | Max. reset time after voltage interruption | 200 ms  |
| Basic accuracy        | < 1 % (of scale-end value)  | Min. pulse duration                        | 100 ms  |
| Repeat accuracy       | < 0.5 % or ±5 ms  |  |   |

**Load side**

|   |                                       |   |   |
|---|---------------------------------------|---|---|
| Rated switching voltage                 | 250 V AC                              | Continuous current                      | 3 A   |
| Max. switching voltage, AC              | 250 V                                 | Max. switching voltage, DC              | 30 V  |
| AC switching capacity (resistive), max. | 750 VA                                | DC switching capacity (resistive), max. | 90 W  |
| Contact type                            | 2 NO contact (AgNi)                   | Electrical service life, DC coil        | 100x10 <sup>3</sup> switching cycles (3 A at 250 VAC) |
| Mechanical service life                 | 20 x 10 <sup>6</sup> switching cycles | Min. switching power                    | 10 mA @ 12 V, 100 mA @ 5 V                            |

**General data**

|                                    |   |                                      |       |
|------------------------------------|---|--------------------------------------|-------|
| Suitable for front mounting        | No  | Rail                                 | TS 35 |
| Test button available              | No  | Mechanical switch position indicator | No    |
| Colour                             | black                                       | UL 94 flammability rating            | V-0   |
| Resistance to vibration EN 61812-1 | 10 Hz...60 Hz: 0.15 mm, 60 Hz...150 Hz: 2 g |                                      |       |

**Insulation coordination**

|  |        |   |        |
|--|--------|---|--------|
| Rated voltage                                    | 300 V  | Pollution severity  | 2      |
| Surge voltage category                           | III    | Clearance and creepage distances for control side - load side | ≥ 3 mm |
| Dielectric strength for control side - load side | 1.6 kV | Impulse withstand voltage                                     | 4 kV   |
| Protection degree                                | IP20   |   |        |

**Further details of approvals / standards**

|                         |         |
|-------------------------|---------|
| Certificate no. (cULus) | E360862 |
|-------------------------|---------|

## TFIS 12-240VUC 2NO SD

Weidmüller Interface GmbH &amp; Co. KG

Klingenbergstraße 26

D-32758 Detmold

Germany

www.weidmueller.com

## Technical data

## Connection data

|   |                     |   |                     |
|---|---------------------|---|---------------------|
| Wire connection method  | Screw connection    | Stripping length, rated connection  | 8 mm                |
| Tightening torque, max.   | 1 Nm                | Clamping range, rated connection  | 2.5 mm <sup>2</sup> |
| Clamping range, min.  | 0.5 mm <sup>2</sup> | Clamping range, max.  | 4 mm <sup>2</sup>   |
| Wire connection cross section AWG, min.   | AWG 20              | Wire connection cross section AWG, max.   | AWG 12              |
| Wire cross-section, solid, min.   | 0.5 mm <sup>2</sup> | Wire cross-section, solid, max.   | 4 mm <sup>2</sup>   |
| Wire connection cross section, finely stranded, min.                                    | 0.5 mm <sup>2</sup> | Wire connection cross section, finely stranded, max.                                    | 4 mm <sup>2</sup>   |
| Wire connection cross-section, finely stranded with wire-end ferrules DIN 46228/4, min. | 0.5 mm <sup>2</sup> | Wire connection cross-section, finely stranded with wire-end ferrules DIN 46228/4, max. | 2.5 mm <sup>2</sup> |
| Conductor cross-section, flexible, AEH (DIN 46228-1), min.                              | 0.5 mm <sup>2</sup> | Conductor cross-section, flexible, AEH (DIN 46228-1), max.                              | 2.5 mm <sup>2</sup> |
| Wire connection cross section, finely stranded, two clampable wires, min.               | 0.5 mm <sup>2</sup> | Wire cross-section, finely stranded, two clampable wires, max.                          | 2.5 mm <sup>2</sup> |
| Blade size  | size PH1            |   |                     |

## Classifications

|             |             |             |             |
|-------------|-------------|-------------|-------------|
| ETIM 6.0    | EC001439    | ETIM 7.0    | EC001439    |
| ETIM 8.0    | EC001439    | ECLASS 9.0  | 27-37-16-05 |
| ECLASS 9.1  | 27-37-16-05 | ECLASS 10.0 | 27-37-16-05 |
| ECLASS 11.0 | 27-37-16-05 | ECLASS 12.0 | 27-37-16-05 |

## Approvals

Approvals



|                         |            |
|-------------------------|------------|
| ROHS                    | Conform    |
| UL File Number Search   | UL Website |
| Certificate no. (cULus) | E360862    |

## Downloads

|   |   |
|---|---|
| Approval/Certificate/Document of Conformity | <a href="#">EU Konformitätserklärung / EU Declaration of Conformity</a>   |
| Engineering Data                            | <a href="#">CAD data – STEP</a>   |
| Engineering Data                            | <a href="#">EPLAN</a>   |
| User Documentation                          | <a href="#">Beschreibung der Zeitfunktionen - Deutsch</a><br><a href="#">Declaration of timing functions - English</a><br><a href="#">Beipackzettel / Package Insert – multilingual</a> |
| Catalogues                                  | <a href="#">Catalogues in PDF-format</a>  |

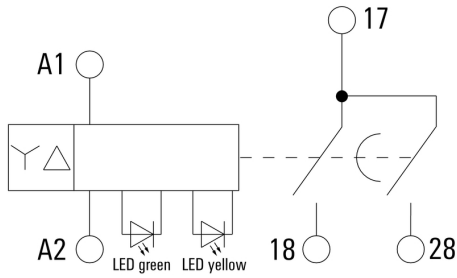
**TFIS 12-240VUC 2NO SD**

**Weidmüller Interface GmbH & Co. KG**  
 Klingenbergstraße 26  
 D-32758 Detmold  
 Germany

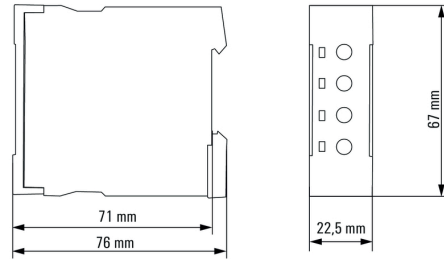
www.weidmueller.com

**Drawings**

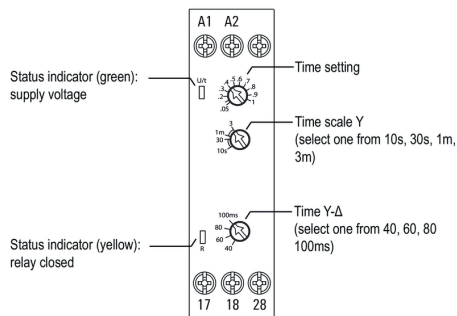
**Wiring diagram**



**Dimensional drawing**



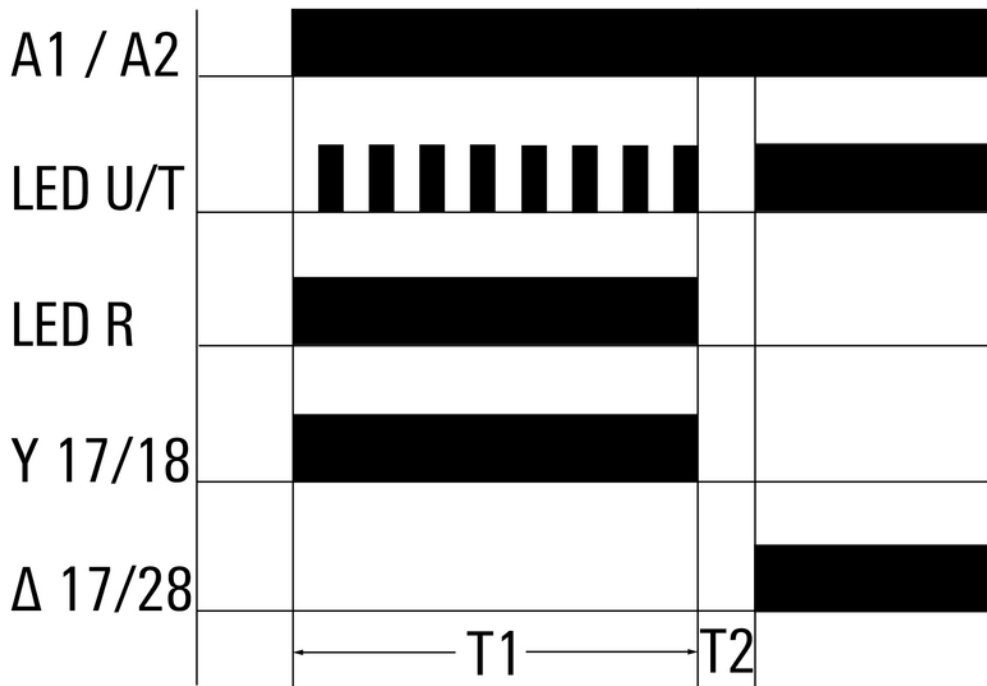
**Miscellaneous**



Detailed drawing

**Graph**

**S** star-delta

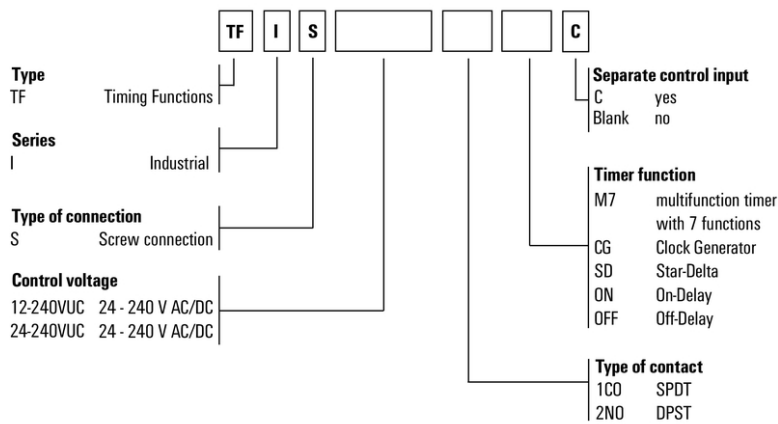


Time functions

**TFIS 12-240VUC 2NO SD**

**Weidmüller Interface GmbH & Co. KG**  
 Klingenbergstraße 26  
 D-32758 Detmold  
 Germany  
 www.weidmueller.com

**Type codes**



Miscellaneous

Creation date September 18, 2022 1:27:33 AM CEST

## X-ON Electronics

Largest Supplier of Electrical and Electronic Components

*Click to view similar products for [Solid State Relays - Industrial Mount](#) category:*

*Click to view products by [Weidmuller](#) manufacturer:*

Other Similar products are found below :

[D2440-C](#) [H10CA4890](#) [H10CD4890](#) [D4840B](#) [D4875C](#) [1395831-1](#) [SE-K4EN](#) [A-1326](#) [H10CA4850](#) [H12CA4890VL](#) [RA2410-D06](#)  
[RA2410HA06T](#) [TD1205](#) [D53TP50-10](#) [W230E-1-12](#) [W230T-3-12](#) [1-1617030-3](#) [MS2-D2420](#) [MS2-D2430](#) [A-1440](#) [G3TAOD201SDC24](#) [1-](#)  
[1617033-0](#) [G3SD-Z01P-PE](#) [DC24](#) [SMT8628521](#) [ESUC0480](#) [SRH3-1440R](#) [XKA70420](#) [G3PH-5150BAC100-240](#) [GN325DSZH](#)  
[GN350ASZH](#) [GN325ASZH](#) [GN350DSZH](#) [1109564](#) [G3NB-225B-1](#) [DC5-24](#) [GNRD06CDL](#) [GN325DSRH](#) [GNR25DCZH](#) [52511](#) [CWH-62-](#)  
[WO](#) [E-1048-8I4-C3D4V1-4U3-10A](#) [E-1048-8I4-C3D1V0-4U3-5A](#) [RGC1P60CM25KEN](#) [48ATE3S00X204](#) [48BTG3S00X204](#) [GNR25ACZH](#)  
[RA4025H10PCS](#) [RKD2A60D50P](#) [RK2A60D50P](#) [RK2A60D75P](#) [PVG612](#)