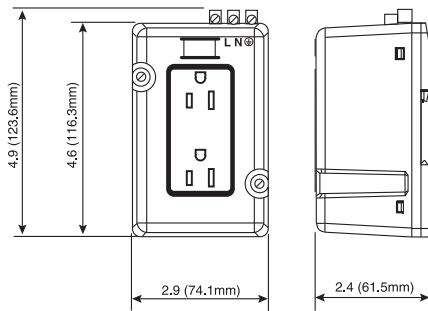


DIN-Rail Receptacles

Dimensional Drawing



15 Amp Duplex



15 Amp GFCI



Technical data

Voltage	125 VAC	125 VAC
Current	15A	15A
Operating Frequency	50 - 60 Hz	50 - 60 Hz
Dielectric Voltage	Withstands 2000V per UL498	Withstands 1500V per UL498
Short-Circuit Current Rating (SCCR)	10 kA	2 kA
Current Interrupting	N/A	10 kA
Trip Level	N/A	5±1 mA
Termination Wire Size	#20 - #10 AWG solid or stranded	#20 - #10 AWG solid or stranded
Terminal Torque	7 lb.-in. (.79 Nm)	7 lb.-in. (.79 Nm)
Temperature:		
Operating	-35°C to 60°C	-35°C to 60°C
Storage	-25°C to 80°C	-25°C to 80°C
Material Listing		
Enclosure Cover, Flammibility	PBT/polycarbonate blend, UL94 rating V0 @ .63mm	PBT/polycarbonate blend, UL94 rating V0 @ .63mm
Enclosure Base, Flammibility	Polyamide 6/6 30% GF, UL94 rating V0 @ .63mm	Polyamide 6/6 30% GF, UL94 rating V0 @ .63mm
Spring	Stainless Steel	Stainless Steel

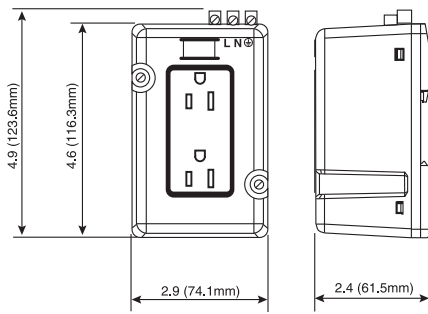
Ordering data

Type	Part No.	Type	Part No.
DRAC DP 15	6720005421	DRAC GF 15	6720005422

Approvals/Certifications

Description	Description
TUL 508A (file # E223801)	TUL 508A (file # E223801)
cULus	cULus
UL498	UL 943
NEMA WD-6	NEMA WD-6
NEMA 5-15R	NEMA 5-15R

Dimensional Drawing



20 Amp Duplex



20 Amp GFCI



Technical data

	20 Amp Duplex	20 Amp GFCI
Voltage	125 VAC	125 VAC
Current	20A	20A
Operating Frequency	50 - 60 Hz	50 - 60 Hz
Dielectric Voltage	Withstands 2000V per UL498	Withstands 1500V per UL498
Short-Circuit Current Rating (SCCR)	10 kA	2 kA
Current Interrupting	N/A	10 kA
Trip Level	N/A	5±1 mA
Termination Wire Size	#20 - #10 AWG solid or stranded	#20 - #10 AWG solid or stranded
Terminal Torque	7 lb.-in. (.79 Nm)	7 lb.-in. (.79 Nm)
Temperature:		
Operating	-35°C to 60°C	-35°C to 60°C
Storage	-25°C to 80°C	-25°C to 80°C
Material Listing		
Enclosure Cover, Flammibility	PBT/polycarbonate blend, UL94 rating V0 @ .63mm	PBT/polycarbonate blend, UL94 rating V0 @ .63mm
Enclosure Base, Flammibility	Polyamide 6/6 30% GF, UL94 rating V0 @ .63mm	Polyamide 6/6 30% GF, UL94 rating V0 @ .63mm
Spring	Stainless Steel	Stainless Steel

Ordering data

Type	Part No.	Type	Part No.
DRAC DP 20	6720005420	DRAC GF 20	6720005423

Approvals/Certifications

Description	Description
TUL 508A (file # E223801)	TUL 508A (file # E223801)
cULus	cULus
UL498	UL 943
NEMA WD-6	NEMA WD-6
NEMA 5-20R	NEMA 5-20R

X-ON Electronics

Largest Supplier of Electrical and Electronic Components

Click to view similar products for [AC Power Entry Modules](#) category:

Click to view products by [Weidmuller](#) manufacturer:

Other Similar products are found below :

[0098.0050](#) [6167.0002](#) [6609100-2](#) [7-6609955-2](#) [FKI2-50-6/M5](#) [FN361-6-06](#) [FN389-4-22](#) [FN9226B-6-02](#) [FN9233S1-10-06](#) [FN9233S1-8-06](#)
[FN9233S1B-8-06](#) [FN9233S1R-1-06](#) [FN9233S1R-12-06](#) [FN9233SB-1-06](#) [FN9233SB-12-06](#) [FN9233SB-8-06](#) [FN9233SR-10-06](#) [FN9244B-15-06HI](#) [FN9244EB-3-06](#) [FN9244EB-8-06](#) [FN9244ER-15-06](#) [FN9244ER-8-06](#) [FN9244ES1-8-06](#) [FN9244ESB-8-06](#) [FN9244R-12-06](#)
[FN9244S1-12-06](#) [FN9244S1R-3-06](#) [FN9244SB-8-06](#) [FN9244SR-6-06](#) [FN9244U-3-06](#) [FN9244U-8-06](#) [8-6609940-2](#) [PE00SSSXB](#) [Fuse-H-EUR-1](#) [Fuse-H-USA-1](#) [PM00XD000](#) [A-0701-HT-H](#) [15EJMS8](#) [1-6609941-2](#) [200JM6-2](#) [CA121003-6](#) [SK-1015\(F1-5\)](#) [161-R3015-E](#) [1-6609153-2](#) [FN323-1-05](#) [FN9233B-8-06](#) [FN9233EB-1-06](#) [FN9233ES1R-10-06](#) [FN9233R-12-06](#) [FN9233S-10-06](#)