

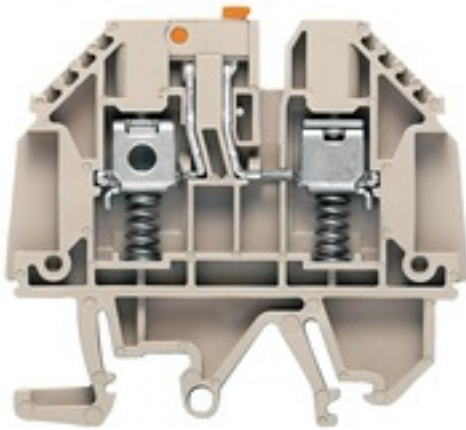
**WTR4 SL/EN****Weidmüller Interface GmbH & Co. KG**

Klingenbergstraße 26

D-32758 Detmold

Germany

www.weidmueller.com

**Product image****Klippon® Connect with clamping yoke Technology**

The high reliability and variety of designs of the terminal blocks with clamping yoke connections make planning easier and optimises operational safety. Klippon® Connect provides a proven response to a range of different requirements.

**General ordering data**

Version	W-Series, Test-disconnect terminal, Rated cross-section: 4 mm <sup>2</sup> , Screw connection
Order No.	<a href="#">7910360000</a>
Type	WTR4 SL/EN
GTIN (EAN)	4008 190576653
Qty.	50 pc(s).

Creation date January 30, 2022 6:57:37 AM CET

Catalogue status 14.01.2022 / We reserve the right to make technical changes.

## WTR4 SL/EN

Weidmüller Interface GmbH &amp; Co. KG

Klingenbergstraße 26

D-32758 Detmold

Germany

www.weidmueller.com

## Technical data

## Dimensions and weights

Depth	51 mm	Depth (inches)	2.008 inch
Height	61.5 mm	Height (inches)	2.421 inch
Width	6.1 mm	Width (inches)	0.24 inch
Net weight	15.06 g		

## Temperatures

Storage temperature	-25 °C...55 °C	Continuous operating temp., min.	-50 °C
Continuous operating temp., max.	120 °C		

## Material data

Material	Wemid	Colour	dark beige
UL 94 flammability rating	V-0		

## System specifications

Version	Screw connection, Spacer, with spring-loaded cable clamp, for plug-in cross-connector, One end without connector	End cover plate required	Yes
Number of potentials	1	Number of levels	1
Number of clamping points per level	2	Number of potentials per tier	1
Levels cross-connected internally	No	PE connection	No
Rail	TS 32, TS 35	N-function	No
PE function	No	PEN function	No

## 2 clampable conductors (H05V/H07V) with equal cross-section (rated connection)

Wire connection cross section, finely stranded with wire-end ferrules DIN 46228/1, 2 clampable wires, max.	1.5 mm <sup>2</sup>	Wire connection cross section, finely stranded with wire-end ferrules DIN 46228/1, 2 clampable wires, min.	0.5 mm <sup>2</sup>
Wire connection cross section, finely stranded, two clampable wires, min.	0.5 mm <sup>2</sup>	Wire cross-section, finely stranded, two clampable wires, max.	1.5 mm <sup>2</sup>

## Additional technical data

Explosion-tested version	No	Number of similar terminals	1
Open sides	right	Type of mounting	Snap-on

## CSA rating data

Certificate No. (CSA)	200039-1057876	Current size D (CSA)	10 A
Voltage size D (CSA)	300 V	Wire cross section max. (CSA)	10 AWG
Wire cross section min. (CSA)	22 AWG		

## WTR4 SL/EN

Weidmüller Interface GmbH &amp; Co. KG

Klingenbergstraße 26

D-32758 Detmold

Germany

www.weidmueller.com

## Technical data

## Conductors for clamping (rated connection)

Blade size	0.6 x 3.5 mm	Clamping range, max.	6 mm <sup>2</sup>
Clamping range, min.	0.22 mm <sup>2</sup>	Clamping screw	M 3
Connection cross-section, stranded, max.	6 mm <sup>2</sup>	Connection cross-section, stranded, min.	1.5 mm <sup>2</sup>
Connection direction	on side	Gauge to IEC 60947-1	A4
Number of connections	2	Stripping length	13 mm
Tightening torque, max.	1 Nm	Tightening torque, min.	0.5 Nm
Torque level with DMS electric screwdriver	2	Type of connection	Screw connection
Wire connection cross section AWG, max.	AWG 10	Wire connection cross section AWG, min.	AWG 26
Wire connection cross section, finely stranded, max.	4 mm <sup>2</sup>	Wire connection cross section, finely stranded, min.	0.5 mm <sup>2</sup>
Wire connection cross-section, finely stranded with wire-end ferrules DIN 46228/1, max.	4 mm <sup>2</sup>	Wire connection cross-section, finely stranded with wire-end ferrules DIN 46228/1, min.	0.5 mm <sup>2</sup>
Wire connection cross-section, solid core, max.	6 mm <sup>2</sup>	Wire connection cross-section, solid core, min.	0.5 mm <sup>2</sup>

## General

Rail	TS 32, TS 35	Standards	IEC 60947-7-1
Wire connection cross section AWG, max.	AWG 10	Wire connection cross section AWG, min.	AWG 26

## Rating data

Rated cross-section	4 mm <sup>2</sup>	Rated voltage	630 V
Rated current	32 A	Current at maximum wires	32 A
Standards	IEC 60947-7-1	Volume resistance according to IEC 60947-7-x	1 mΩ
Rated impulse withstand voltage	6 kV	Power loss in accordance with IEC 60947-7-x	1.02 W
Pollution severity	2		

## UL rating data

Certificate No. (UR)	E60693	Conductor size Factory wiring max. (UR)	10 AWG
Conductor size Factory wiring min. (UR)	22 AWG	Conductor size Field wiring max. (UR)	10 AWG
Conductor size Field wiring min. (UR)	22 AWG	Current size C (UR)	22 A
Voltage size C (UR)	300 V		

## Classifications

ETIM 6.0	EC000902	ETIM 7.0	EC000902
ETIM 8.0	EC000902	ECLASS 9.0	27-14-11-26
ECLASS 9.1	27-14-11-26	ECLASS 10.0	27-14-11-26
ECLASS 11.0	27-14-11-26		

**WTR4 SL/EN**

**Weidmüller Interface GmbH & Co. KG**  
 Klingenbergstraße 26  
 D-32758 Detmold  
 Germany

www.weidmueller.com

**Technical data**

**Approvals**

Approvals



ROHS	Conform
UL File Number Search	E60693

**Downloads**

Approval/Certificate/Document of Conformity	<a href="#">EAC certificate</a> <a href="#">CE Declaration of Conformity</a> <a href="#">CE Declaration of Conformity all terminals</a>
Engineering Data	<a href="#">CAD data – STEP</a>
Engineering Data	<a href="#">EPLAN, WSCAD, Zuken E3.S</a>
User Documentation	<a href="#">Beipackzettel_WTR4.pdf</a> <a href="#">StorageConditionsTerminalBlocks</a>
Catalogues	<a href="#">Catalogues in PDF-format</a>
Brochures	

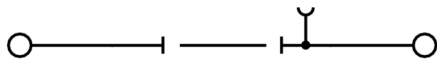
**Data sheet**

**WTR4 SL/EN**

**Weidmüller Interface GmbH & Co. KG**  
Klingenbergstraße 26  
D-32758 Detmold  
Germany

[www.weidmueller.com](http://www.weidmueller.com)

**Drawings**



## WTR4 SL/EN

Weidmüller Interface GmbH &amp; Co. KG

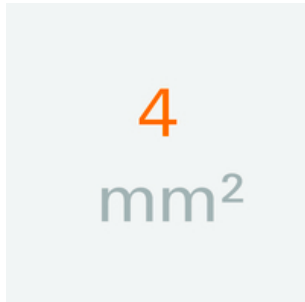
Klingenbergstraße 26

D-32758 Detmold

Germany

www.weidmueller.com

## Accessories

4 mm<sup>2</sup>

The plug-in cross-connections feature easy handling and quick installation. This saves a great deal of time during installation in comparison with screwed solutions.

## General ordering data

Type	ZQV 4N/32
Order No.	<a href="#">2561670000</a>
GTIN (EAN)	4050118570175
Qty.	5 pc(s).
Type	ZQV 4N/5 RD
Order No.	<a href="#">2460790000</a>
GTIN (EAN)	4050118476217
Qty.	60 pc(s).
Type	ZQV 4N/7 BL
Order No.	<a href="#">1528180000</a>
GTIN (EAN)	4050118333114
Qty.	20 pc(s).
Type	ZQV 4N/30
Order No.	<a href="#">2561580000</a>
GTIN (EAN)	4050118570113
Qty.	5 pc(s).
Type	ZQV 4N/10 BL
Order No.	<a href="#">1528230000</a>
GTIN (EAN)	4050118333138
Qty.	20 pc(s).
Type	ZQV 4N/9 BL
Order No.	<a href="#">1528220000</a>
GTIN (EAN)	4050118333107
Qty.	20 pc(s).
Type	ZQV 4N/7
Order No.	<a href="#">1528020000</a>
GTIN (EAN)	4050118332780
Qty.	20 pc(s).
Type	ZQV 4N/2 RD
Order No.	<a href="#">2460450000</a>
GTIN (EAN)	4050118476149
Qty.	60 pc(s).
Type	ZQV 4N/50
Order No.	<a href="#">1528130000</a>
GTIN (EAN)	4050118332902
Qty.	5 pc(s).
Type	ZQV 4N/30 RD
Order No.	<a href="#">2561600000</a>
GTIN (EAN)	4050118569964
Qty.	5 pc(s).

Creation date January 30, 2022 6:57:37 AM CET

Catalogue status 14.01.2022 / We reserve the right to make technical changes.

## WTR4 SL/EN

Weidmüller Interface GmbH &amp; Co. KG

Klingenbergstraße 26

D-32758 Detmold

Germany

www.weidmueller.com

## Accessories

Type	ZQV 4N/6 BL
Order No.	<a href="#">1528170000</a>
GTIN (EAN)	4050118332926
Qty.	20 pc(s).
Type	ZQV 4N/6
Order No.	<a href="#">1527990000</a>
GTIN (EAN)	4050118332919
Qty.	20 pc(s).
Type	ZQV 4N/4 BL
Order No.	<a href="#">1528120000</a>
GTIN (EAN)	4050118332872
Qty.	60 pc(s).
Type	ZQV 4N/2
Order No.	<a href="#">1527930000</a>
GTIN (EAN)	4050118332766
Qty.	60 pc(s).
Type	ZQV 4N/5
Order No.	<a href="#">1527980000</a>
GTIN (EAN)	4050118332759
Qty.	60 pc(s).
Type	ZQV 4N/30 BL
Order No.	<a href="#">2561610000</a>
GTIN (EAN)	4050118569971
Qty.	5 pc(s).
Type	ZQV 4N/10 RD
Order No.	<a href="#">2460740000</a>
GTIN (EAN)	4050118476163
Qty.	20 pc(s).
Type	ZQV 4N/3
Order No.	<a href="#">1527940000</a>
GTIN (EAN)	4050118332865
Qty.	60 pc(s).
Type	ZQV 4N/3 BL
Order No.	<a href="#">1528080000</a>
GTIN (EAN)	4050118333008
Qty.	60 pc(s).
Type	ZQV 4N/4
Order No.	<a href="#">1527970000</a>
GTIN (EAN)	4050118332889
Qty.	60 pc(s).
Type	ZQV 4N/10
Order No.	<a href="#">1528090000</a>
GTIN (EAN)	4050118332896
Qty.	20 pc(s).
Type	ZQV 4N/8
Order No.	<a href="#">1528030000</a>
GTIN (EAN)	4050118332841
Qty.	20 pc(s).
Type	ZQV 4N/8 RD
Order No.	<a href="#">2460760000</a>
GTIN (EAN)	4050118476187
Qty.	20 pc(s).

Creation date January 30, 2022 6:57:37 AM CET

Catalogue status 14.01.2022 / We reserve the right to make technical changes.

## WTR4 SL/EN

**Weidmüller Interface GmbH & Co. KG**  
Klingenbergstraße 26  
D-32758 Detmold  
Germany

[www.weidmueller.com](http://www.weidmueller.com)

## Accessories

---

Type	ZQV 4N/4 RD
Order No.	<a href="#">2460800000</a>
GTIN (EAN)	4050118476224
Qty.	60 pc(s).

---

Type	ZQV 4N/6 RD
Order No.	<a href="#">2460780000</a>
GTIN (EAN)	4050118476200
Qty.	20 pc(s).

---

Type	ZQV 4N/50 RD
Order No.	<a href="#">2460730000</a>
GTIN (EAN)	4050118476156
Qty.	5 pc(s).

---

Type	ZQV 4N/9
Order No.	<a href="#">1528070000</a>
GTIN (EAN)	4050118332797
Qty.	20 pc(s).

---

Type	ZQV 4N/5 BL
Order No.	<a href="#">1528140000</a>
GTIN (EAN)	4050118333015
Qty.	60 pc(s).

---

Type	ZQV 4N/3 RD
Order No.	<a href="#">2460810000</a>
GTIN (EAN)	4050118476231
Qty.	60 pc(s).

---

Type	ZQV 4N/2 BL
Order No.	<a href="#">1528040000</a>
GTIN (EAN)	4050118332773
Qty.	60 pc(s).

---

Type	ZQV 4N/9 RD
Order No.	<a href="#">2460750000</a>
GTIN (EAN)	4050118476170
Qty.	20 pc(s).

---

Type	ZQV 4N/50 BL
Order No.	<a href="#">1528240000</a>
GTIN (EAN)	4050118333121
Qty.	5 pc(s).

---

Type	ZQV 4N/8 BL
Order No.	<a href="#">1528190000</a>
GTIN (EAN)	4050118332858
Qty.	20 pc(s).

---

Type	ZQV 4N/7 RD
Order No.	<a href="#">2460770000</a>
GTIN (EAN)	4050118476194
Qty.	20 pc(s).

---



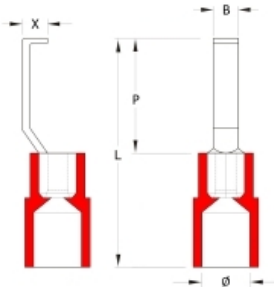
## WTR4 SL/EN

**Weidmüller Interface GmbH & Co. KG**  
 Klingenbergstraße 26  
 D-32758 Detmold  
 Germany

www.weidmueller.com

## Accessories

### Hook-type cable lugs



The use of insulated connectors guarantees users a permanent and consistent quality for their electrical connections. In addition, they bring advantages during installation.

#### General ordering data

Type	HBT 1,5 - 3,0 RT	Version
Order No.	<a href="#">1312440000</a>	cable lug, terminal end, Insulated cable connector, 0.5 mm <sup>2</sup> - 1.5
GTIN (EAN)	4050118115055	mm <sup>2</sup> , red
Qty.	100 pc(s).	
Type	HBT 2,5 - 3,0 BL	Version
Order No.	<a href="#">1312450000</a>	cable lug, terminal end, Insulated cable connector, 1.5 mm <sup>2</sup> - 2.5
GTIN (EAN)	4050118115130	mm <sup>2</sup> , blue
Qty.	100 pc(s).	

### WS 12/6



#### WS/ DEK

MultiMark terminal markers use an innovative composite material made from two components. The hard base contour of the marker snaps securely into the connector. The elastic surface finish makes the marker easy to mount. This specially punched material enables the strips to be stretched to accommodate the slight variations in spacing that tend to add up, especially with long terminal blocks. Another advantage: the excellent printability of the surface material guarantees durable and wear-resistant labelling. A print resolution of 300 dpi also produces a very legible script.

#### Your benefits with MultiMark

- Firm hold and durable printing
- Continuous strips save installation time
- Easy mounting thanks to an innovative composite material
- Large label field for optimal legibility
- High flexibility thanks to manufacturer independence

#### General ordering data

Type	WS 12/6 MM WS	Version
Order No.	<a href="#">2007200000</a>	WS, Terminal marker, 12 x 6 mm, Weidmueller, white
GTIN (EAN)	4050118391886	
Qty.	600 pc(s).	

**WTR4 SL/EN**

**Weidmüller Interface GmbH & Co. KG**  
 Klingenbergstraße 26  
 D-32758 Detmold  
 Germany

www.weidmueller.com

**Accessories**

**Blank**



The Dekafix (DEK) marker is the universal marker for all conductor and plug-in connectors as well as for electronic sub-assemblies. The system is ideal for short number sequences and covers a wide range of ready-printed markers.

Strips for fast installation in only one work step. The printing is easy to read, rich in contrast and available in various widths.

- Large range of ready-to-use markers
- Strips for fast installation
- Terminal markers, suitable for all Weidmüller cable connectors
- Available as blank MultiCard or with standard printing

**For custom printing:** Please send us a file of our labeling software M-Print PRO or M-Print PRO Online (without installation) for your labeling specifications.

**General ordering data**

Type	DEK 5/6 MC NE WS	Version	
Order No.	<a href="#">1609820000</a>		Dekafix, Terminal marker, 5 x 6 mm, Pitch in mm (P): 6.00
GTIN (EAN)	4008190203436		Weidmueller, white
Qty.	1,000 pc(s).		

## WTR4 SL/EN

**Weidmüller Interface GmbH & Co. KG**  
 Klingenbergstraße 26  
 D-32758 Detmold  
 Germany

www.weidmueller.com

## Accessories

## DEK 5/6

**WS/ DEK**

MultiMark terminal markers use an innovative composite material made from two components. The hard base contour of the marker snaps securely into the connector. The elastic surface finish makes the marker easy to mount. This specially punched material enables the strips to be stretched to accommodate the slight variations in spacing that tend to add up, especially with long terminal blocks. Another advantage: the excellent printability of the surface material guarantees durable and wear-resistant labelling. A print resolution of 300 dpi also produces a very legible script.

**Your benefits with MultiMark**

- Firm hold and durable printing
- Continuous strips save installation time
- Easy mounting thanks to an innovative composite material
- Large label field for optimal legibility
- High flexibility thanks to manufacturer independence

**General ordering data**

Type	DEK 5/6 MM WS	Version
Order No.	<a href="#">2007120000</a>	Dekafix, Terminal marker, 5 x 6 mm, Weidmueller, white
GTIN (EAN)	4050118392104	
Qty.	600 pc(s).	

**W-Series**

Weidmüller's range of products includes end brackets that guarantee a permanent, reliable mounting on the terminal rail and prevent sliding. Versions with and without screws are available. The end brackets include marking options, also for group markers, and also a test plug holder.

**General ordering data**


Type	WEW 35/2	Version
Order No.	<a href="#">1061200000</a>	W-Series, End bracket
GTIN (EAN)	4008190030230	
Qty.	50 pc(s).	

## WTR4 SL/EN

**Weidmüller Interface GmbH & Co. KG**  
 Klingenbergstraße 26  
 D-32758 Detmold  
 Germany

www.weidmueller.com

## Accessories

2.5-10 mm<sup>2</sup>


2.5-10  
mm<sup>2</sup>

End plates are fitted to the open side of the last modular terminal before the end bracket. The use of an end plate ensures the function of the modular terminal and the specified rated voltage. It guarantees protection against contact with live parts and makes the final terminal finger-proof.

## General ordering data

Type	WAP 2.5-10 SW	Version
Order No.	<a href="#">1050010000</a>	W-Series, End plate
GTIN (EAN)	4008190406806	
Qty.	50 pc(s).	
Type	WAP 2.5-10 4-6	Version
Order No.	<a href="#">1272380000</a>	W-Series, End plate
GTIN (EAN)	4050118114881	
Qty.	50 pc(s).	
Type	WAP 16+35 WTW 2.5-10	Version
Order No.	<a href="#">1050100000</a>	W-Series, End plate, Partition plate
GTIN (EAN)	4008190079901	
Qty.	20 pc(s).	
Type	WAP 2.5-10	Version
Order No.	<a href="#">1050000000</a>	W-Series, End plate
GTIN (EAN)	4008190103149	
Qty.	50 pc(s).	

**WTR4 SL/EN**

**Weidmüller Interface GmbH & Co. KG**  
 Klingenbergstraße 26  
 D-32758 Detmold  
 Germany

www.weidmueller.com

**Accessories**

**Blank**



WS markers are the perfect match for the W-series connectors. Thanks to their system compatibility, the WS tags can also be used with the I-series and the Z-series. The large marking surfaces do not only permit long character strings but also multi-line text. WS markers are ideal for labels with long, customised character strings. Thanks to the proven MultiCard format, printing with PrintJet CONNECT oder/or Plotter is possible.

- Can be fitted in strips or individually
- Markers in proven MultiCard format

**For custom printing:** Please send us a file of our labeling software M-Print PRO or M-Print PRO Online (without installation) for your labeling specifications.

**General ordering data**

Type	WS 12/6 MC NE WS	Version
Order No.	<a href="#">1609900000</a>	WS, Terminal marker, 12 x 6 mm, Pitch in mm (P): 6.00 Weidmueller,
GTIN (EAN)	4008190203467	Allen-Bradley, white
Qty.	600 pc(s).	

## X-ON Electronics

Largest Supplier of Electrical and Electronic Components

*Click to view similar products for [Pluggable Terminal Blocks](#) category:*

*Click to view products by [Weidmuller](#) manufacturer:*

Other Similar products are found below :

[57.510.0053](#) [MC 1.5/ 6-ST-3.5 GY AU](#) [ET02015000J0G](#) [734-104](#) [734-302](#) [8-141-P](#) [8426620000](#) [860505](#) [860516](#) [860810](#) [GBPACX-12](#)  
[93.731.4953.0](#) [PV05-5,08-K](#) [PVP03-3,50](#) [PVP04-3,50](#) [PVS02-5,00](#) [1-1986160-3](#) [1377680000](#) [1531000000](#) [1546228-5](#) [ELFH16150](#)  
[ELFP03110](#) [ELFP10210](#) [ELFT06250](#) [ELVP03100](#) [1700101](#) [1700410](#) [1700425](#) [1702246](#) [1705229](#) [1710175](#) [1714537](#) [1717806](#) [1719600](#)  
[1728941](#) [1734692](#) [1734795](#) [1736036](#) [1740194](#) [1740628](#) [1740990](#) [1746952](#) [1750207](#) [1752441](#) [1752865](#) [1754115](#) [1754144](#) [1756913](#)  
[1760051](#) [1760336](#)