

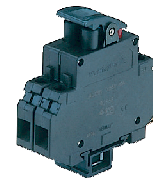
Circuit Protection
Circuit Breakers
 Thermal Magnetic Type

CB4201-10



Single Pole

CB4202-10



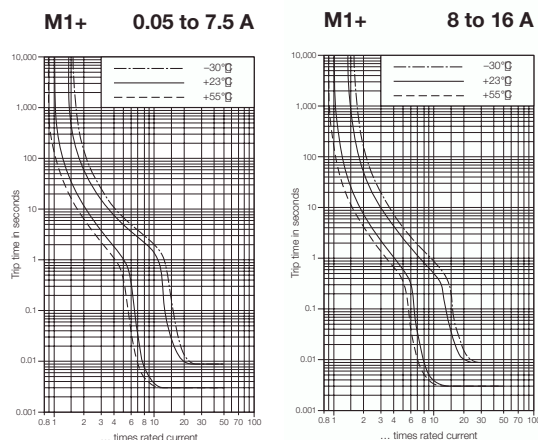
Double Pole

| Ordering Data | | Type: Single Pole - CB4201-10 | | Type: Double Pole - CB4202-10 | | |
|-------------------------------------|------------------------|-------------------------------|-----------------|-------------------------------|-----------------|-----------------|
| Internal Resistance per Pole (ohms) | Current Ratings (amps) | Part No.* TS 32 | Part No.* TS 35 | Current Ratings (amps) | Part No.* TS 32 | Part No.* TS 35 |
| 131.00 | 0.1 | 9104173200 | 9104173500 | 0.1 | 9120353200 | 9120353500 |
| 40.00 | 0.2 | 9104183200 | 9104183500 | 0.2 | 9124243200 | 9124243500 |
| 19.30 | 0.3 | 9129813200 | 9129813500 | 0.3 | 9124263200 | 9124263500 |
| 10.40 | 0.4 | 9124093200 | 9124093500 | 0.4 | 9124273200 | 9124273500 |
| 7.10 | 0.5 | 9101003200 | 9101003500 | 0.5 | 9129583200 | 9129583500 |
| 4.30 | 0.6 | 9124113200 | 9124113500 | 0.6 | 9124283200 | 9124283500 |
| 3.58 | 0.7 | 9129563200 | 9129563500 | 0.7 | 9124293200 | 9124293500 |
| 2.50 | 0.8 | 9101103200 | 9101103500 | 0.8 | 9129593200 | 9129593500 |
| 1.67 | 1.0 | 9101203200 | 9101203500 | 1.0 | 9129613200 | 9129613500 |
| 1.22 | 1.2 | 9101303200 | 9101303500 | 1.2 | 9129623200 | 9129623500 |
| 0.61 | 1.5 | 9101403200 | 9101403500 | 1.5 | 9129633200 | 9129633500 |
| 0.55 | 1.8 | 9124143200 | 9124143500 | 1.8 | 9124333200 | 9124333500 |
| 0.38 | 2.0 | 9101503200 | 9101503500 | 2.0 | 9129643200 | 9129643500 |
| 0.24 | 2.5 | 9101603200 | 9101603500 | 2.5 | 9129653200 | 9129653500 |
| 0.19 | 3.0 | 9101703200 | 9101703500 | 3.0 | 9129663200 | 9129663500 |
| 0.16 | 3.5 | 9124163200 | 9124163500 | 3.5 | 9124343200 | 9124343500 |
| 0.09 | 4.0 | 9104353200 | 9104353500 | 4.0 | 9129713200 | 9129713500 |
| 0.09 | 4.5 | | 9124173500 | 4.5 | | |
| 0.061 | 5.0 | 9101803200 | 9101803500 | 5.0 | 9129673200 | 9129673500 |
| 0.07 | 5.5 | | 9107833500 | 5.5 | 9124363200 | |
| 0.041 | 6.0 | 9103813200 | 9103813500 | 6.0 | 9124373200 | 9124373500 |
| 0.04 | 6.5 | | 9120043500 | 6.5 | 9124383200 | |
| 0.034 | 7.0 | 9104153200 | 9104153500 | 7.0 | 9124393200 | 9124393500 |
| 0.02 | 8.0 | 9103003200 | 9103003500 | 8.0 | 9104673200 | 9104673500 |
| 0.02 | 9.0 | 9104613200 | 9104613500 | 9.0 | 9124423200 | 9124423500 |
| <0.02 | 10.0 | 9101903200 | 9101903500 | 10.0 | 9129683200 | 9129683500 |
| <0.02 | 11.0 | | 9124183500 | 11.0 | 9124433200 | |
| <0.02 | 12.0 | 9107843200 | 9107843500 | 12.0 | 9124443200 | 9124443500 |
| <0.02 | 13.0 | | 9124193500 | 13.0 | 9124453200 | |
| <0.02 | 14.0 | 9107853200 | 9107853500 | 14.0 | 9124463200 | 9124463500 |
| <0.02 | 15.0 | 9102003200 | 9102003500 | 15.0 | 9129693200 | 9129693500 |
| <0.02 | 16.0 | 9124213200 | 9124213500 | 16.0 | 9124473200 | 9124473500 |

Circuit Breaker – Trip Curves
 Thermal Magnetic Type

Typical time/current characteristics at 23°C

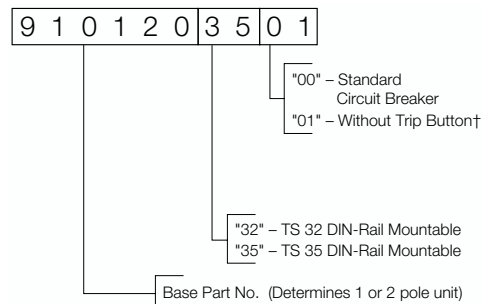
4200 Series



* Ordering Options - Example

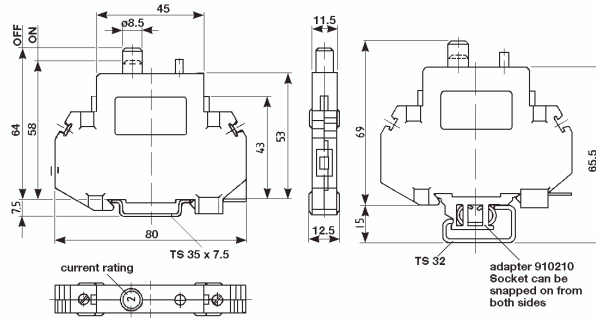
To order CB4201-10 Single Pole Circuit Breaker,
 Part No. 9101203501

- Current Rating of 1.0 amps
- Internal Resistance per Pole of 1.67 ohms
- For TS 35
- Without Trip Button



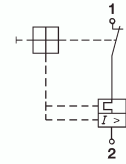
†To manually trip breaker, a plastic or wooden dowel (0.12 inch diameter) will be needed.

CB4201-10 Single Pole

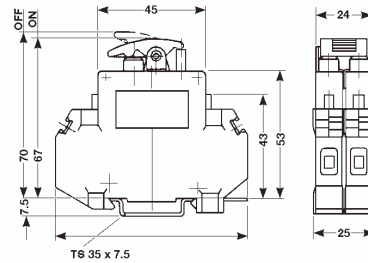


Dimensions in mm

Internal Wiring Diagram

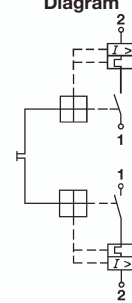


CB4202-10 Double Pole



Dimensions in mm

Internal Wiring Diagram



Technical Data

| | | | |
|--|---|------------------|------------------|
| Rated voltage & current† | Voltage Ratings | | Current Ratings |
| UL | AC 250 V, DC 80 V, 50/60 Hz | | 0.05...16 A |
| CSA | AC 250 V, DC 80 V, 50/60 Hz | | 0.05...16 A |
| VDE | AC 250 V, DC 65 V, 50/60 Hz | | 0.05...16 A |
| Creepage resistance | PTI 600 to IEC 112 | | |
| Dielectric strength | 4,000 VAC; IEC 664 & 664 A | | |
| Insulation resistance | > 100 MΩ (DC 500 V) | | |
| Interrupting capacity (VDE 0660, Part 101, P-2) | 4201-10 | maximum capacity | |
| | 0.05...0.8 A | self-limiting | |
| | 1...2 A | 200 A | |
| | 2.5...16 A | 400 A | |
| Interrupting capacity; 4201-10 (UL 1077/EN 60934 PC1) | Rated current | Rated voltage | maximum capacity |
| | 0.05...4.5 A | AC 250 V | 200 A |
| | 5...8 A | AC 250 V | 1000 A |
| | 9...15 A | AC 125 V | 1000 A |
| | 0.05...15 A | DC 65 V | 200 A |
| Typical life at 2 x rated current | 5,000 operations | | |
| Shock | 25 g (11 ms) to IEC 68-2-27, Test Ea | | |
| Torque | Nm (lb. in.) | 0.8 (7.1) | |
| Vibration | 5 g (57 to 500 Hz / ±0.38 mm, 10 to 57 Hz) to IEC 68-2-6, Test Fc | | |
| Temperature range | -30°C...+55°C (-22°F...+131°F) | | |
| Corrosion | 96 hours at 5% salt spray, to IEC 68-2-11, Test Ka | | |
| Humidity | 240 hours at 95% RH, to IEC 68-2-3, Test Ca | | |
| Weight | Approximately 60 g per pole | | |
| Wire size (UL) | #20...8 AWG | solid | |
| | #20...10 AWG | standard | |

Accessories

| | Type | Part No. | |
|--------------|-----------------|------------|------------|
| Jumpers | Daisy Chain 50* | BDC 50 | |
| | Straight CQB** | CQB 2 | 9970560000 |
| | | CQB 3 | 9970570000 |
| | | CQB 4 | 9970580000 |
| | | CQB 10 | 9970590000 |
| Angled CQB** | CQB 2 | 9970600000 | |
| | CQB 3 | 9970610000 | |
| | CQB 4 | 9970620000 | |
| | CQB 10 | 9970630000 | |
| Adaptor foot | AF/TS 32 | 9102100000 | |

Marking Tags

| | Special print only | WS 8/5 MC |
|--|------------------------|---------------|
| | Consecutive horizontal | DEK 5/5 |
| | Consecutive vertical | DEK 5/5 |
| | | 1640750000*** |
| | | 0473460001 |
| | | 0473560001 |

Note: Part numbers are shown for a single card of pre-printed tags numbered 1-50.

†Note: Resistive and inductive loads (0.05 - 16 A)

*BDC will accommodate 20 A per pin, 20 A total

**CQB will accommodate 18 A per pin, 18 A total; dedicated to 4201 Series

***Please specify horizontal or vertical print when ordering. Standard quantity = 144 tags per card.

X-ON Electronics

Largest Supplier of Electrical and Electronic Components

Click to view similar products for [Circuit Breakers](#) category:

Click to view products by [Weidmuller](#) manufacturer:

Other Similar products are found below :

[0185080.X](#) [0185100.XP](#) [0185150.XP](#) [0700005](#) [0700007](#) [0700010](#) [0700015](#) [0700020](#) [0700025](#) [0700030](#) [0700040](#) [0712107](#) [0712123](#)
[0712152](#) [0712194](#) [0712217](#) [0712233](#) [0712259](#) [0712275](#) [0712291](#) [0712314](#) [0900100](#) [0900113](#) [0900126](#) [0900207](#) [0900210](#) [0900317](#)
[0900333](#) [0900414](#) [0900618](#) [0900634](#) [0900812](#) [0901002](#) [0902030](#) [0902056](#) [0902072](#) [0902098](#) [0902108](#) [0902111](#) [0902124](#) [0902137](#)
[0902218](#) [0902221](#) [0902247](#) [0902263](#) [0902328](#) [0902331](#) [0902344](#) [0902409](#) [0902412](#)