

MCZ O 24VDC

Weidmüller Interfaces GmbH & Co. KG

Postfach 3030

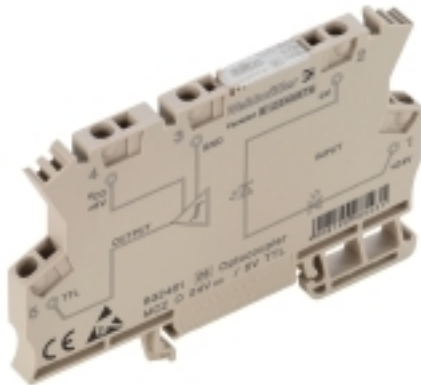
32760 Detmold

Tel. +49 5231 14-0

Fax. +49 5231 14-2083

info@weidmueller.com

www.weidmueller.com



High reliability in a terminal block format

MCZ SERIES relay modules are among the smallest on the market. Thanks to the small width of just 6.1 mm, a lot of space can be saved in the panel. All products in the series have three cross-connection terminals and are distinguished by simple wiring with plug-in cross-connections. The tension clamp connection system, proven a million times over, and the integrated reverse polarity protection ensure a high level of safety during installation and operation. Precisely fitting accessories from cross-connectors to markers and end plates make the MCZ SERIES versatile and convenient to use.

- Tension clamp connection
- Integrated cross-connection in input/output.
- Clampable conductor cross-section is 0.5 to 1.5 mm²
- Variants of the MCZ TRAK type are particularly suitable for the transport sector and tested according to DIN EN 50155

General ordering data

Version	MCZ SERIES, Solid-state relay, Rated control voltage: 24 V DC \pm 16 % , Rated switching voltage: 5 V TTL, Continuous current: 8 ma, Fan out = 20 LS-TTL, Tension-clamp connection
Order No.	8324610000
Type	MCZ O 24VDC
GTIN (EAN)	4008190985431
Qty.	10 pc(s).

MCZ O 24VDC

Weidmüller Interfaces GmbH & Co. KG

Postfach 3030

32760 Detmold

Tel. +49 5231 14-0

Fax. +49 5231 14-2083

info@weidmueller.com

www.weidmueller.com

Technical data

Dimensions and weights

Depth	63.2 mm	Depth (inches)	2.488 inch
Height	91 mm	Height (inches)	3.583 inch
Width	6.1 mm	Width (inches)	0.24 inch
Net weight	23.9 g		

Temperatures

Storage temperature	-40 °C...60 °C	Operating temperature	-25 °C...40 °C
Humidity	40 °C / 93 % rel. humidity, no condensation		

Probability of failure

MTTF	3,036 Years
------	-------------

Environmental Product Compliance

REACH SVHC	Lead 7439-92-1	SCIP	35d83707-6a3b-45b5-b9f8-6ba8184c863e
------------	----------------	------	--------------------------------------

Rated data UL

Certificate No. (cURus)	E141197
-------------------------	---------

Control side

Rated control voltage	24 V DC \pm 16 %	Nominal control current	5 mA DC (\pm 20 %)
Power rating	112 mW	Pull-in/drop-out voltage, typ.	16.8 V / 16.5 V DC
Status indicator	Green LED	Protective circuit	Reverse polarity protection

Load side

Rated switching voltage	5 V TTL	Continuous current	8 ma, Fan out = 20 LS-TTL
Switch-on delay	1 μ s (at 20 V DC)	Switch-off delay	2.5 μ s (at 28 V DC)
Short-circuit-proof	No	Protective circuit, load side	Diode circuit
Contact type	1 NO contact (TTL)	max. switching frequency (DC control voltage)	100 kHz
Nominal auxiliary voltage	5 V DC \pm 5 %		

General data

Rail	TS 35				
Test button available	No				
Colour	beige				
UL94 flammability rating component	<table border="1"> <tr> <td>Component</td> <td>Housing</td> </tr> <tr> <td>UL94 flammability rating</td> <td>V-0</td> </tr> </table>	Component	Housing	UL94 flammability rating	V-0
Component	Housing				
UL94 flammability rating	V-0				

Insulation coordination

Rated voltage	300 V	Pollution severity	2
Surge voltage category	III	Clearance and creepage distances for control side - load side	\geq 5.5 mm
Dielectric strength for control side - load side	1 kV _{eff} / 1 s	Dielectric strength to mounting rail	4 kV _{eff} / 1 Min.
Impulse withstand voltage	6 kV (1.2/50 μ s)	Protection degree	IP20

Creation date September 18, 2022 3:31:54 AM CEST

Catalogue status 09.09.2022 / We reserve the right to make technical changes.

MCZ O 24VDC

Weidmüller Interfaces GmbH & Co. KG

Postfach 3030

32760 Detmold

Tel. +49 5231 14-0

Fax. +49 5231 14-2083

info@weidmueller.com

www.weidmueller.com

Technical data

Further details of approvals / standards

Standards	UL508	Certificate No. (CSA)	154685-1198742
Certificate No. (cURus)	E141197		

Connection data

Wire connection method	Tension-clamp connection	Stripping length, rated connection	8 mm
Clamping range, rated connection	1.5 mm ²	Clamping range, min.	0.5 mm ²
Clamping range, max.	1.5 mm ²	Wire connection cross section AWG, min.	AWG 26
Wire connection cross section AWG, max.	AWG 16	Wire cross-section, solid, min.	0.5 mm ²
Wire cross-section, solid, max.	1.5 mm ²	Wire cross-section, solid, min. (AWG)	AWG 26
Wire cross-section, solid, max. (AWG)	AWG 16	Wire connection cross section, finely stranded, min.	0.5 mm ²
Wire connection cross section, finely stranded, max.	1.5 mm ²	Wire cross-section, finely stranded, min. (AWG)	AWG 26
Wire cross-section, finely stranded, max. (AWG)	AWG 16	Wire connection cross-section, finely stranded with wire-end ferrules DIN 46228/4, min.	0.5 mm ²
Wire connection cross-section, finely stranded with wire-end ferrules DIN 46228/4, max.	1.5 mm ²	Conductor cross-section, flexible, AEH (DIN 46228-1), min.	0.5 mm ²
Conductor cross-section, flexible, AEH (DIN 46228-1), max.	1.5 mm ²	Blade size	0.6 x 3.5 mm

Classifications

ETIM 6.0	EC001504	ETIM 7.0	EC001504
ETIM 8.0	EC001504	ECLASS 9.0	27-37-16-04
ECLASS 9.1	27-37-16-04	ECLASS 10.0	27-37-16-04
ECLASS 11.0	27-37-16-04	ECLASS 12.0	27-37-16-04

Important note

Product information The cable lengths must not exceed 30 m.

Approvals

Approvals



ROHS	Conform
UL File Number Search	UL Website
Certificate No. (cURus)	E141197

Downloads

Approval/Certificate/Document of Conformity	EU Konformitätserklärung / EU Declaration of Conformity
Engineering Data	CAD data – STEP
Engineering Data	EPLAN, WSCAD
User Documentation	Beipackzettel / Package Insert – multilingual
Catalogues	Catalogues in PDF-format
Brochures	

Creation date September 18, 2022 3:31:54 AM CEST

Catalogue status 09.09.2022 / We reserve the right to make technical changes.

MCZ O 24VDC

Weidmüller Interfaces GmbH & Co. KG

Postfach 3030

32760 Detmold

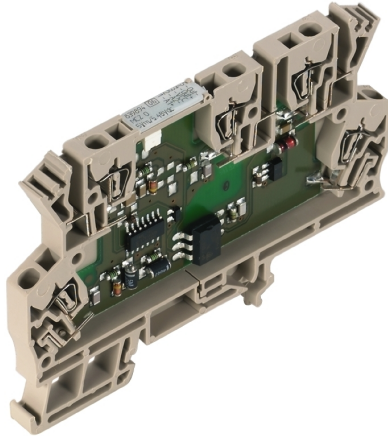
Tel. +49 5231 14-0

Fax. +49 5231 14-2083

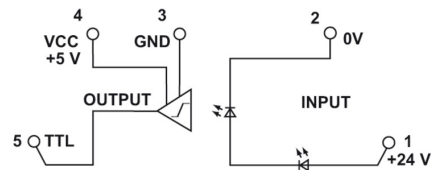
info@weidmueller.com

Drawings

Wiring diagram

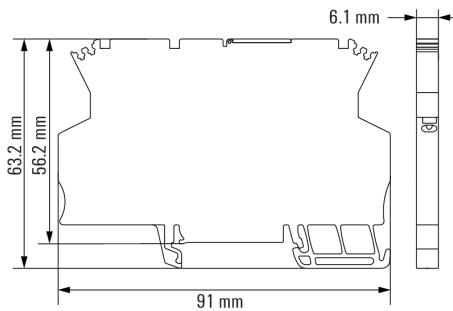


Similar to illustration



Schaltsymbol

Dimensional drawing



X-ON Electronics

Largest Supplier of Electrical and Electronic Components

Click to view similar products for [Weidmuller manufacturer](#):

Other Similar products are found below :

[9926252205](#) [1527710000](#) [1596520000](#) [1697190000](#) [1726520000](#) [8924550000](#) [8950710000](#) [56956](#) [0126700000](#) [6720000227](#) [6720005111](#)
[6720005330](#) [68676](#) [69236](#) [69718](#) [EXO24CH](#) [7940000218](#) [8432240000](#) [8463580000](#) [8581180000](#) [8881610000](#) [9001080000](#) [9002660000](#)
[9003720000](#) [9008380000](#) [9012020000](#) [9025800000](#) [9032010000](#) [9032020000](#) [903708](#) [9046390000](#) [9104673500](#) [910640](#) [9129643500](#)
[913155](#) [9159530000](#) [919656](#) [919764](#) [9202230000](#) [9202850000](#) [9203710000](#) [9204640000](#) [9455640000](#) [9456750000](#) [9457913000](#) [980811](#)
[980826](#) [9919371205](#) [1166660000](#) [11751](#)