

RCM370012**Weidmüller Interface GmbH & Co. KG**

Klingenbergstraße 26

D-32758 Detmold

Germany

www.weidmueller.com

Product image

Similar to illustration

Individual relays within the RIDERSERIES RCM

- 3 CO contacts
- Optional AC or DC coils
- With test button

General ordering data

| | |
|------------|--|
| Version | RIDERSERIES RCM, Relay, Number of contacts: 3, CO contact AgNi, Rated control voltage: 12 V DC, Continuous current: 10 A, Plug-in connection, Test button available: Yes |
| Order No. | 8690020000 |
| Type | RCM370012 |
| GTIN (EAN) | 4032248360697 |
| Qty. | 10 pc(s). |

Creation date January 30, 2022 8:33:40 AM CET

Catalogue status 14.01.2022 / We reserve the right to make technical changes.

RCM370012

Weidmüller Interface GmbH & Co. KG

Klingenbergstraße 26

D-32758 Detmold

Germany

www.weidmueller.com

Technical data

Dimensions and weights

| | | | |
|------------|---------|-----------------|------------|
| Depth | 29 mm | Depth (inches) | 1.142 inch |
| Height | 28 mm | Height (inches) | 1.102 inch |
| Width | 22.5 mm | Width (inches) | 0.886 inch |
| Net weight | 30.3 g | | |

Temperatures

| | | | |
|---------------------|--|-----------------------|----------------|
| Storage temperature | -40 °C...85 °C | Operating temperature | -40 °C...70 °C |
| Humidity | 40 °C / 93 % rel. humidity, no condensation | | |

Rated data UL

| | |
|-------------------------|---------|
| Certificate No. (cURus) | E224238 |
|-------------------------|---------|

Control side

| | | | |
|-----------------------|--------------|--------------------------------|----------------|
| Rated control voltage | 12 V DC | Rated current DC | 62.5 mA |
| Power rating | 750 mW | Pull-in/drop-out voltage, typ. | 9 V / 1.2 V DC |
| Coil resistance | 192 Ω ± 10 % | | |

Load side

| | | | |
|---|--|---|---|
| Rated switching voltage | 250 V AC | Continuous current | 10 A |
| Max. switching frequency at rated load | 0.1 Hz | Min. switching power | 1 mA @ 24 V, 10 mA @ 12 V, 100 mA @ 5 V |
| Inrush current | 20 A / 20 ms | AC switching capacity (resistive), max. | 2500 VA |
| DC switching capacity (resistive), max. | 240 W @ 24 V | Switch-on delay | ≤ 15 ms |
| Switch-off delay | ≤ 10 ms | Contact type | 3 CO contact (AgNi) |
| Mechanical service life | AC coil 20 x 10 ⁶ switching cycles, DC coil 30 x 10 ⁶ switching cycles | | |

General data

| | | | |
|-----------------------|-------------|--------------------------------------|-----|
| Test button available | Yes | Mechanical switch position indicator | Yes |
| Colour | Transparent | UL 94 flammability rating | V-2 |

Insulation coordination

| | | | |
|---|--------------------------------|--|--------------------------------|
| Rated voltage | 250 V | Pollution severity | 2 |
| Surge voltage category | III | Insulating material group | IIIa |
| Clearance and creepage distances for control side - load side | ≥ 4 mm | Dielectric strength for control side - load side | 2.5 kV _{eff} / 1 Min. |
| Dielectric strength of neighbouring contacts | 2.5 kV _{eff} / 1 Min. | Dielectric strength of open contact | 1.2 kV _{eff} / 1 min. |
| Impulse withstand voltage | 5 kV (1.2/50 μs) | Protection degree | IP20 |

Further details of approvals / standards

| | | | |
|-----------------------|--------------------|-------------------------|----------------|
| Standards | IEC 61810-1, UL508 | Certificate No. (CSA) | 249409-2426937 |
| Certificate No. (VDE) | 40011762 | Certificate No. (cURus) | E224238 |

RCM370012

Weidmüller Interface GmbH & Co. KG

Klingenbergstraße 26

D-32758 Detmold

Germany

www.weidmueller.com

Technical data

Connection data

Wire connection method Plug-in connection

Classifications

| | | | |
|-------------|-------------|-------------|-------------|
| ETIM 6.0 | EC001437 | ETIM 7.0 | EC001437 |
| ETIM 8.0 | EC001437 | ECLASS 9.0 | 27-37-16-01 |
| ECLASS 9.1 | 27-37-16-01 | ECLASS 10.0 | 27-37-16-01 |
| ECLASS 11.0 | 27-37-16-01 | | |

Approvals

Approvals



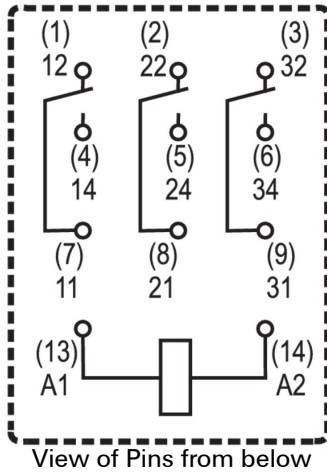
| | |
|-----------------------|---------|
| ROHS | Conform |
| UL File Number Search | E224238 |

Downloads

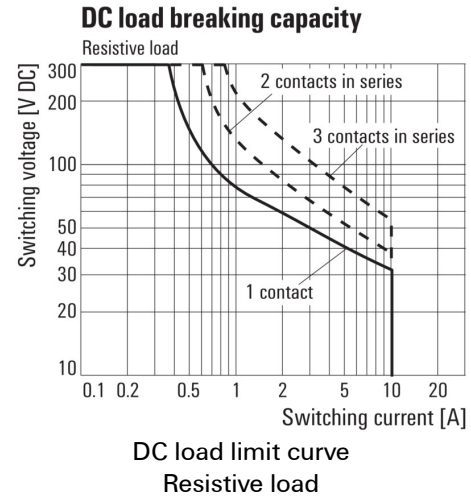
| | |
|---|---|
| Approval/Certificate/Document of Conformity | EU Konformitätserklärung / EU Declaration of Conformity |
| Engineering Data | CAD data – STEP |
| Engineering Data | EPLAN, WSCAD |
| Catalogues | Catalogues in PDF-format |
| Brochures | |

Drawings

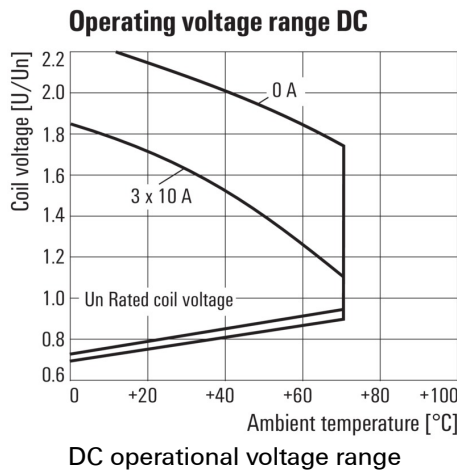
Wiring diagram



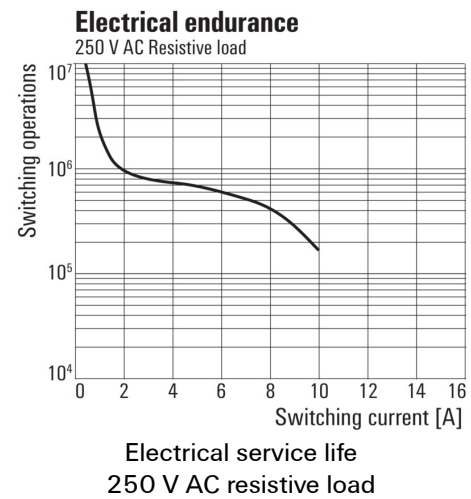
Graph



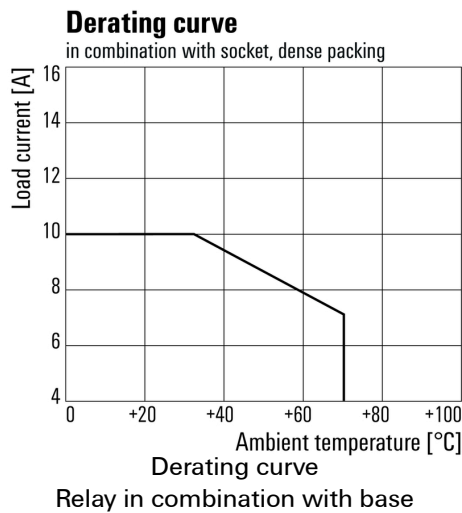
Graph



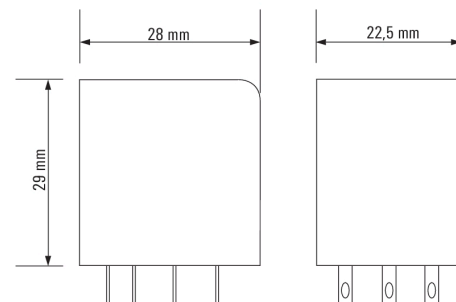
Graph



Graph



Dimensional drawing



RCM370012

Weidmüller Interface GmbH & Co. KG
 Klingenbergstraße 26
 D-32758 Detmold
 Germany

www.weidmueller.com

Accessories

Cross-connection for socket with screw connection

Cross-connection for the sockets in the D-SERIES DRM.



General ordering data

| | | |
|------------|----------------------------|----------------------------------|
| Type | SCM-I QV S | Version |
| Order No. | 1132080000 | RIDERSERIES RCM, Cross-connector |
| GTIN (EAN) | 4032248912193 | |
| Qty. | 10 pc(s). | |

Blank



ESG is the tried-and-tested marker in MultiCard format for use on many well-known electrical devices. The result is high-quality device marking with a high-contrast appearance.

Various types are available for devices from manufacturers like Siemens, ABB, Beckhoff etc. Advantages at a glance:

- Tags for universal usage, self-adhesive or clip-on tags, depending on type
- For aligned equipment, e.g. circuit breakers, we supply ESG markers for clipping onto tag rails
- Individual laser-quality printing according to specifications

For custom printing: Please send us a file of our labeling software M-Print PRO or M-Print PRO Online (without installation) for your labeling specifications.

General ordering data

| | | |
|------------|----------------------------|---|
| Type | ESG 9/26 SCM-I MC NE WS | Version |
| Order No. | 2558330000 | ESG, Device markers x 26 mm, PA 66, Colour: white |
| GTIN (EAN) | 4050118569049 | |
| Qty. | 80 pc(s). | |

RCM370012

Weidmüller Interface GmbH & Co. KG
 Klingenbergstraße 26
 D-32758 Detmold
 Germany

www.weidmueller.com

Accessories

Protection module



Pluggable protective modules for the RIDERSERIES RCI / RCM relay sockets, with optional protective functions.

- Optional with free-wheeling diode, protective varistor, load resistor or RC filter

General ordering data

| | | |
|------------|----------------------------|--|
| Type | RIM-I 1 6/230V | Version |
| Order No. | 8869580000 | RIDERSERIES, Free-wheeling diode, Rated control voltage: 6...230 V |
| GTIN (EAN) | 4032248614523 | DC, Plug-in connection |
| Qty. | 10 pc(s). | |

Sockets



relays sockets for RIDERSERIES RCM relays

- 2, 3 and 4 CO contacts
- Screw and PUSH IN connection
- Standard and low heights

General ordering data

| | | |
|------------|----------------------------|---|
| Type | SCM-I 3CO N | Version |
| Order No. | 8869410000 | RIDERSERIES RCM, Relay socket, Number of contacts: 3, CO contact, |
| GTIN (EAN) | 4032248606375 | Continuous current: 10 A, Screw connection |
| Qty. | 10 pc(s). | |

RCM370012

Weidmüller Interface GmbH & Co. KG
 Klingenbergstraße 26
 D-32758 Detmold
 Germany

www.weidmueller.com

Accessories

LED



Pluggable protective modules for the RIDERSERIES RCI / RCM relay sockets, with optional protective functions.

- Optional with green or red LED
- For UC supply voltage

General ordering data

| Type | RIM-I 3 6/24VUC | Version |
|------------|----------------------------|---|
| Order No. | 8869630000 | RIDERSERIES, LED module, Rated control voltage: 6...24 V UC, Plug-in connection |
| GTIN (EAN) | 4032248614578 | |
| Qty. | 10 pc(s). | |

| Type | RIM-I 3 6/24VUC GN | Version |
|------------|----------------------------|---|
| Order No. | 8869640000 | RIDERSERIES, LED module, Rated control voltage: 6...24 V UC, Plug-in connection |
| GTIN (EAN) | 4032248614585 | |
| Qty. | 10 pc(s). | |

LED / Free-wheel diode



Pluggable protective modules for the RIDERSERIES RCI / RCM relay sockets, with optional protective functions.

- Optional with green or red LED
- With free-wheeling diode
- For DC supply voltage

General ordering data

| Type | RIM-I 2 6/24VDC | Version |
|------------|----------------------------|--|
| Order No. | 8869590000 | RIDERSERIES, LED module with freewheel diode, Rated control voltage: 6...24 V DC, Plug-in connection |
| GTIN (EAN) | 4032248614530 | |
| Qty. | 10 pc(s). | |

| Type | RIM-I 2 6/24VDC GN | Version |
|------------|----------------------------|--|
| Order No. | 8869600000 | RIDERSERIES, LED module with freewheel diode, Rated control voltage: 6...24 V DC, Plug-in connection |
| GTIN (EAN) | 4032248614547 | |
| Qty. | 10 pc(s). | |

RCM370012

Weidmüller Interface GmbH & Co. KG
 Klingenbergstraße 26
 D-32758 Detmold
 Germany

www.weidmueller.com

Accessories

ESG 6/17



Guaranteed long service life: ESG

The multi-colour and multi-format labels have a strong adhesive layer to ensure the best possible adhesion to the underlying surface. Double laminated polyester makes the basic material very thin and yet extremely tear-resistant.

Your benefits with MultiMark

- “Different materials for various requirements”
- Can be used with equipment from many manufacturers
- Device markers with a familiar design

General ordering data

| | | |
|------------|----------------------------|---------------------------------------|
| Type | ESG 6/17 MM WS | Version |
| Order No. | 2005100000 | ESG, Device markers, 6 x 17 mm, white |
| GTIN (EAN) | 4050118390728 | |
| Qty. | 3,000 pc(s). | |

Cross-connection for socket with PUSH IN connection



Cross-connection for the sockets in the RIDERSERIES RCM

General ordering data

| | | |
|------------|----------------------------|----------------------------------|
| Type | SCM-I QV P | Version |
| Order No. | 8870850000 | RIDERSERIES RCM, Cross-connector |
| GTIN (EAN) | 4032248631698 | |
| Qty. | 10 pc(s). | |

RCM370012

Weidmüller Interface GmbH & Co. KG
 Klingenbergstraße 26
 D-32758 Detmold
 Germany

www.weidmueller.com

Accessories

ESG 6/15



Guaranteed long service life: ESG

The multi-colour and multi-format labels have a strong adhesive layer to ensure the best possible adhesion to the underlying surface. Double laminated polyester makes the basic material very thin and yet extremely tear-resistant.

Your benefits with MultiMark

- “Different materials for various requirements”
- Can be used with equipment from many manufacturers
- Device markers with a familiar design

General ordering data

| Type | ESG 6/15 MM WS | Version |
|------------|----------------------------|---------------------------------------|
| Order No. | 2619940000 | ESG, Device markers, 6 x 15 mm, white |
| GTIN (EAN) | 4050118626148 | |
| Qty. | 3,000 pc(s). | |

Retaining clips



Retaining clip for RIDERSERIES RCM relays

- Metal and plastic retaining clip

General ordering data

| Type | SCM-I CLIP N | Version |
|------------|----------------------------|---------------------------------|
| Order No. | 8875620000 | RIDERSERIES RCM, Retaining clip |
| GTIN (EAN) | 4032248608577 | |
| Qty. | 10 pc(s). | |
| Type | SCM-I CLIP M | Version |
| Order No. | 8869450000 | RIDERSERIES RCM, Retaining clip |
| GTIN (EAN) | 4032248614301 | |
| Qty. | 10 pc(s). | |

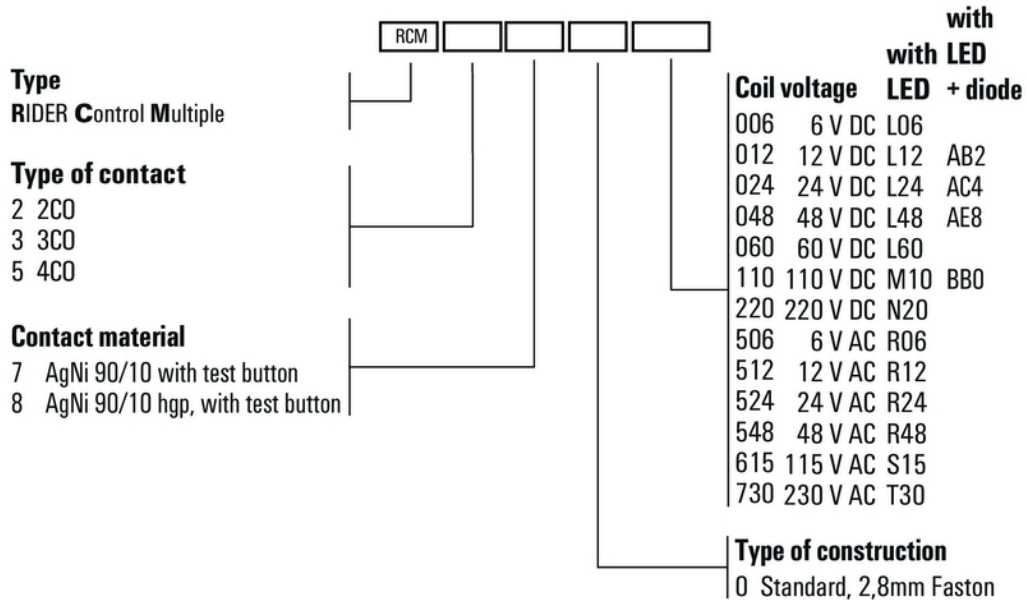
RCM370012

Weidmüller Interface GmbH & Co. KG
 Klingenbergstraße 26
 D-32758 Detmold
 Germany

www.weidmueller.com

Drawings

Miscellaneous



Type codes

X-ON Electronics

Largest Supplier of Electrical and Electronic Components

Click to view similar products for [General Purpose Relays](#) category:

Click to view products by [Weidmuller](#) manufacturer:

Other Similar products are found below :

[PCN-105D3MH,000](#) [59641F200](#) [5JO-1000CD-SIL](#) [LY1SAC110120](#) [5X827E](#) [5X837F](#) [5X840F](#) [5X842F](#) [5X848E](#) [LY2N-AC120](#) [LY2S-AC220/240](#) [LY2-US-AC120](#) [LY3-US-AC120](#) [LY4F-UA-DC12](#) [LY4F-UA-DC24](#) [LY4F-US-AC120](#) [LY4F-US-AC240](#) [LY4F-US-DC24](#) [LY4F-VD-AC110](#) [LYQ20DC12](#) [M115C60](#) [M115N010](#) [M115N0150](#) [6031007G](#) [603-12D](#) [61211T0B4](#) [61212T400](#) [61222Q400](#) [61243B600](#) [61243C500](#) [61243Q400](#) [61311BOA2](#) [61311BOA6](#) [61311BOA8](#) [61311C0A2](#) [61311COA1](#) [61311COA6](#) [61311F0A2](#) [61311QOA1](#) [61311QOA4](#) [61311T0D6](#) [61311TOA6](#) [61311TOA7](#) [61311TOB3](#) [61311TOB4](#) [61311U0A6](#) [61312Q600](#) [61312T400](#) [61312T600](#) [61313U200](#)