

**IE-P63****Weidmüller Interface GmbH & Co. KG**

Klingenbergstraße 26

D-32758 Detmold

Germany

www.weidmueller.com



RJ45 crimp plug-in connector according to IEC  
60603-7-51 for wire outer diameters up to 1.05 mm

**General ordering data**

Version	RJ45 plug-in connector, with kink protection; 5.5 - 6.2 mm, Cat.6 <sub>A</sub> / Class E <sub>A</sub> (ISO/IEC 11801 2010), IP20
Order No.	<a href="#">8813110000</a>
Type	IE-P63
GTIN (EAN)	4032248512867
Qty.	10 pc(s).

Creation date January 30, 2022 9:26:43 AM CET

Catalogue status 14.01.2022 / We reserve the right to make technical changes.

## IE-P63

Weidmüller Interface GmbH &amp; Co. KG

Klingenbergstraße 26

D-32758 Detmold

Germany

www.weidmueller.com

## Technical data

## Dimensions and weights

Net weight	5.3 g
------------	-------

## Temperatures

Storage temperature	-40 °C...80 °C	Operating temperature	-40 °C...70 °C
---------------------	----------------	-----------------------	----------------

## Environmental Product Compliance

REACH SVHC	Lead 7439-92-1
------------	----------------

## General data

Connection 1	RJ45	Connection 2	Crimp
Description of article	with kink protection; 5.5 - 6.2 mm	Insulation cross-section, min.	0.85 mm
Insulation cross-section, max.	1.05 mm	Cable pull-out force, min.	89 N
Category	Cat.6A / Class EA (ISO/IEC 11801 2010)	Bending protection	moulded
Contact material	Phosphorus bronze	Connection diameter, solid	0.36...0.51
Conductor connection cross-section, solid (AWG)	AWG 27...AWG 24	Connection diameter, flexible	0.46...0.61 mm
Conductor connection cross-section, flexible (AWG)	AWG 27...AWG 24	MICE classification M	M <sub>1</sub>
MICE classification I	I <sub>1</sub>	MICE classification C	C <sub>1</sub>
MICE classification E	E <sub>3</sub>	Sheath diameter, min.	5.5 mm
Sheath diameter, max.	6.2 mm	Bending protection sleeve material	PVC, UL 94-V0
Shielding material	0.5 mm brass, 2 µm nickel	Shielding	360°; all-round enclosure
Protection degree	IP20	Insertion force	20 N
Material insulator	Polycarbonate PC, UL 94 V-0		

## Electrical properties

Contact resistance	≤ 20 mΩ	Current-carrying capacity at 50 °C	1 A
Dielectric strength, contact / contact	≤ 1000 V DC	Dielectric strength, contact / shield	≤ 1500 V DC
PoE / PoE+	conforming to IEEE 802.3af		

## General standards

Connector standard	IEC 60603-7-51
--------------------	----------------

## Classifications

ETIM 6.0	EC001121	ETIM 7.0	EC001121
ETIM 8.0	EC001121	ECLASS 9.0	27-44-03-90
ECLASS 9.1	27-44-03-90	ECLASS 10.0	27-44-03-90
ECLASS 11.0	27-44-03-90		

## IE-P63

**Weidmüller Interface GmbH & Co. KG**  
Klingenbergstraße 26  
D-32758 Detmold  
Germany

[www.weidmueller.com](http://www.weidmueller.com)

# Technical data

## Approvals

Approvals



ROHS

Conform

## Downloads

Engineering Data	<a href="#">CAD data – STEP</a>
Engineering Data	<a href="#">EPLAN, WSCAD, Zuken E3.S</a>
User Documentation	<a href="#">MAN IE GUIDE DE</a> <a href="#">MAN IE GUIDE EN</a> <a href="#">Manual</a>
Catalogues	<a href="#">Catalogues in PDF-format</a>
Brochures	<a href="#">FL FIELDWIRING EN</a> <a href="#">PI PROFINET CABLING EN</a> <a href="#">PI PROFINET CABLING EN</a>

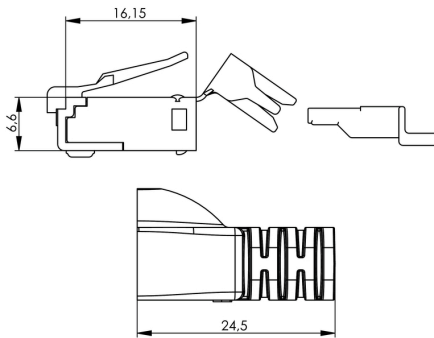
**IE-P63**

**Weidmüller Interface GmbH & Co. KG**  
Klingenbergstraße 26  
D-32758 Detmold  
Germany

[www.weidmueller.com](http://www.weidmueller.com)

**Drawings**

**Dimensioned drawing**



**IE-P63**

**Weidmüller Interface GmbH & Co. KG**  
 Klingenbergstraße 26  
 D-32758 Detmold  
 Germany

www.weidmueller.com

**Accessories**

**Dust caps**



For protecting your devices against dust and dirt.

**Dust caps**

**General ordering data**

Type	IE-PP-RJ45
Order No.	<a href="#">2552580000</a>
GTIN (EAN)	4050118562583
Qty.	10 pc(s).

**... for modular plug-in connectors**



**Crimping tools for modular plug-in connector systems WE and DEC**

- Ratchet guarantees precise crimping
- Release option in the event of incorrect operation
- Three functions in one tool

**General ordering data**

Type	TT 8 RS MP 8	Version	
Order No.	<a href="#">9202800000</a>	Pressing tools, Crimping tool for contacts	
GTIN (EAN)	4032248512072		
Qty.	1 pc(s).		

## X-ON Electronics

Largest Supplier of Electrical and Electronic Components

*Click to view similar products for [Modular Connectors / Ethernet Connectors](#) category:*

*Click to view products by [Weidmuller](#) manufacturer:*

Other Similar products are found below :

[8949-H88/06BLKA/SN](#) [74441-0010/BKN](#) [PHP-6P6C-5](#) [GAX-3-66](#) [GAX-8-62](#) [GDCX-PN-66](#) [GLX-A-44](#) [GLX-N-1010M-BLK](#) [GMX-SMT4-N-88](#) [GSGX-N-2-88](#) [GSGX-N-4-88](#) [GSX-NS2-88-3.05](#) [GSX-NS-88-3.68](#) [PT-108A-8C-UL](#) [PTS-J531-8CS-50UL](#) [A-2014-0-4](#) [GWLX-S9-88-YG](#) [DC-1021-8-WH-6](#) [1300530003](#) [1324640-4](#) [RJ11FTVC2G](#) [RJ11FTVC2N](#) [RJFTVX2SA1G](#) [132764-001](#) [1413235](#) [MPS88RX-5000](#) [E5288-S000K3-L](#) [155302-001](#) [AX101050](#) [AX101063](#) [AX101065](#) [AX101072](#) [AX101307](#) [AX101315](#) [AX101318](#) [AX102271](#) [AX102288](#) [AX102651](#) [AX102660](#) [J0012D21NL](#) [J0026D01ENL](#) [PC4D0018P](#) [8949-B88/6](#) [2-6609208-5](#) [937-SP-3088-2PC-A192](#) [303066VFL](#) [303068V](#) [303088LFLSA](#) [303088SBL](#) [30-8603](#)