

**Industrial Ethernet  
IE-P63**

**Weidmüller Interface GmbH & Co. KG**  
Klingenbergstraße 16  
D-32758 Detmold  
Germany  
Fon: +49 5231 14-0  
Fax: +49 5231 14-292083  
www.weidmueller.com



RJ45 crimp plug-in connector according to IEC  
60603-7-51 for wire outer diameters up to 1.05 mm

**General ordering data**

Type	IE-P63
Order No.	<a href="#">8813110000</a>
Version	RJ45 plug-in connector, with kink protection; 5.5 - 6.2 mm, Cat.6 <sub>A</sub> / Class E <sub>A</sub> (ISO/IEC 11801 2010), IP20
GTIN (EAN)	4032248512867
Qty.	10 pc(s).

**Industrial Ethernet  
IE-P63**

**Weidmüller Interface GmbH & Co. KG**  
 Klingenbergstraße 16  
 D-32758 Detmold  
 Germany  
 Fon: +49 5231 14-0  
 Fax: +49 5231 14-292083  
 www.weidmueller.com

**Technical data****Dimensions and weights**

Net weight	5.31 g
------------	--------

**Temperatures**

Operating temperature, max.	70 °C	Operating temperature, min.	-40 °C
Storage temperature, max.	80 °C	Storage temperature, min.	-40 °C
Operating temperature	-40 °C...70 °C	Storage temperature	-40 °C...80 °C
Installation temperature			

**Environmental Product Compliance**

REACH SVHC	Lead 7439-92-1
------------	----------------

**General data**

Connection 2	RJ45	Description of article	with kink protection; 5.5 - 6.2 mm
Housing main material	CuZn, nickel-plated	Insulation cross-section, min.	0.85 mm
Insulation cross-section, max.	1.05 mm	Cable pull-out force, min.	89 N
Category	Cat.6 <sub>A</sub> / Class E <sub>A</sub> (ISO/IEC 11801 2010)	Bending protection	moulded
Contact material	Phosphorus bronze	Contact surface	Gold-plated
Connection diameter, solid	0.36...0.51 mm	Conductor connection cross-section, solid (AWG)	AWG 27...AWG 24
Connection diameter, flexible	0.46...0.61 mm	Conductor connection cross-section, flexible (AWG)	AWG 27...AWG 24
MICE classification M	M <sub>1</sub>	MICE classification I	I <sub>1</sub>
MICE classification C	C <sub>1</sub>	MICE classification E	E <sub>3</sub>
Sheath diameter, min.	5.5 mm	Sheath diameter, max.	6.2 mm
Bending protection sleeve material	PVC, UL 94-V0	Shielding material	0.5 mm brass, 2 µm nickel
Shielding	360°; all-round enclosure	Protection degree	IP20
Insertion force	20 N	Plugging cycles	750
Material insulator	Polycarbonate PC, UL 94 V-0		

**Electrical properties**

Contact resistance	≤ 20 mΩ	Current-carrying capacity at 50 °C	1 A
Dielectric strength, contact / contact	≤ 1000 V DC	Dielectric strength, contact / shield	≤ 1500 V DC
Insulation strength	500 MΩ	PoE / PoE+	conforming to IEEE 802.3at

**Standards**

Connector standard	IEC 60603-7-51
--------------------	----------------

**Classifications**

ETIM 3.0	EC001264	ETIM 4.0	EC001264
ETIM 5.0	EC001264	ETIM 6.0	EC001121
UNSPSC	43-17-27-10	eClass 5.1	27-25-05-04
eClass 6.2	27-25-05-04	eClass 7.1	27-25-05-04
eClass 8.1	19-17-01-25	eClass 9.0	27-44-03-90
eClass 9.1	27-44-03-90		

Creation date April 3, 2019 12:49:44 PM CEST

**Industrial Ethernet  
IE-P63**

**Weidmüller Interface GmbH & Co. KG**  
Klingenbergstraße 16  
D-32758 Detmold  
Germany  
Fon: +49 5231 14-0  
Fax: +49 5231 14-292083  
www.weidmueller.com

**Technical data****Approvals**

Approvals



ROHS

Conform

**Downloads**

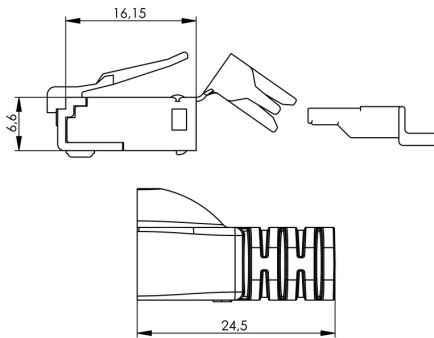
Brochure/Catalogue	<a href="#">CAT 9 IETH 15/16 EN</a> <a href="#">FL FIELDWIRING EN</a> <a href="#">PI PROFINET CABLING EN</a>
Engineering Data	<a href="#">EPLAN, WSCAD, Zuken E3.S</a>
User Documentation	<a href="#">MAN IE GUIDE DE</a> <a href="#">MAN IE GUIDE EN</a>

**Industrial Ethernet  
IE-P63**

**Weidmüller Interface GmbH & Co. KG**  
Klingenbergstraße 16  
D-32758 Detmold  
Germany  
Fon: +49 5231 14-0  
Fax: +49 5231 14-292083  
[www.weidmueller.com](http://www.weidmueller.com)

**Drawings**

**Dimensioned drawing**



**Industrial Ethernet  
IE-P63**

**Weidmüller Interface GmbH & Co. KG**  
Klingenbergstraße 16  
D-32758 Detmold  
Germany  
Fon: +49 5231 14-0  
Fax: +49 5231 14-292083  
www.weidmueller.com

**Accessories****... for modular plug-in connectors****Crimping tools for modular plug-in connector systems WE and DEC**

- Ratchet guarantees precise crimping
- Release option in the event of incorrect operation
- Three functions in one tool

**General ordering data**

Type	Order No.	Version	GTIN (EAN)	Qty.
TT 8 RS MP 8	<a href="#">9202800000</a>	Pressing tools, Crimping tool for contacts	4032248512072	1 pc(s).

## X-ON Electronics

Largest Supplier of Electrical and Electronic Components

*Click to view similar products for [Modular Connectors / Ethernet Connectors](#) category:*

*Click to view products by [Weidmuller](#) manufacturer:*

Other Similar products are found below :

[RJE231881317T](#) [MP1010RX-1000](#) [MP44RX-1000](#) [GAX-3-66](#) [GAX-8-62](#) [93606-0253](#) [GD-A-44](#) [GDCX-PA-66-50](#) [GDCX-PN-64](#) [GDCX-PN-66](#) [GDCX-PN-66-50](#) [GDLX-A-66](#) [GDLX-A-88](#) [GDLX-N-66](#) [GDLX-S-88K](#) [GDTX-S-88-50](#) [GDX-PA-1010](#) [GLX-N-1010M-BLK](#) [GLX-N-44M](#) [GLX-S-88M-BLK](#) [GMX-N-1010](#) [GMX-S-1010](#) [GMX-S-66](#) [GMX-SMT2-N-1010](#) [GMX-SMT2-N-64-50](#) [GMX-SMT2-S6-88](#) [GMX-SMT4-N-88](#) [GPX-2-64](#) [GRT1-BT1-5](#) [GSGX-N-2-88](#) [GSX-NS2-88-3.05](#) [GSX-NS2-88-3.05-50](#) [GSX-NS-88-3.05-30](#) [GSX-NS-88-3.05-50](#) [GSX-NS-88-3.68](#) [1-1775629-2](#) [GWLX-S-88-GR](#) [GWLX-S9-88-YG](#) [1300500326](#) [1300500227](#) [1300530003](#) [1300570002](#) [1324640-4](#) [RJ11FTVC2G](#) [RJ11FTVC2N](#) [RJFTVX2SA1G](#) [132764-001](#) [1400000](#) [1413176](#) [1413235](#)