

IE-P70**Weidmüller Interface GmbH & Co. KG**

Klingenbergstraße 26

D-32758 Detmold

Germany

www.weidmueller.com



RJ45 crimp plug-in connector according to IEC
60603-7-51 for wire outer diameters up to 1.05 mm

General ordering data

Version	RJ45 plug-in connector, with kink protection; 6.2 - 7.1 mm, Cat.6 _A / Class E _A (ISO/IEC 11801 2010), IP20
Order No.	8813120000
Type	IE-P70
GTIN (EAN)	4032248512874
Qty.	10 pc(s).

Creation date January 30, 2022 9:07:42 AM CET

Catalogue status 14.01.2022 / We reserve the right to make technical changes.

IE-P70

Weidmüller Interface GmbH & Co. KG

Klingenbergstraße 26

D-32758 Detmold

Germany

www.weidmueller.com

Technical data

Dimensions and weights

Net weight	5.2 g
------------	-------

Temperatures

Storage temperature	-40 °C...80 °C	Operating temperature	-40 °C...70 °C
---------------------	----------------	-----------------------	----------------

Environmental Product Compliance

REACH SVHC	Lead 7439-92-1
------------	----------------

General data

Connection 1	RJ45	Connection 2	Crimp
Description of article	with kink protection; 6.2 - 7.1 mm	Insulation cross-section, min.	0.85 mm
Insulation cross-section, max.	1.05 mm	Cable pull-out force, min.	89 N
Category	Cat.6A / Class EA (ISO/IEC 11801 2010)	Bending protection	moulded
Contact material	Phosphorus bronze	Connection diameter, solid	0.36...0.51
Conductor connection cross-section, solid (AWG)	AWG 27...AWG 24	Connection diameter, flexible	0.46...0.61 mm
Conductor connection cross-section, flexible (AWG)	AWG 27...AWG 24	MICE classification M	M ₁
MICE classification I	I ₁	MICE classification C	C ₁
MICE classification E	E ₃	Sheath diameter, min.	6.2 mm
Sheath diameter, max.	7.1 mm	Bending protection sleeve material	PVC, UL 94-V0
Shielding material	0.5 mm brass, 2 µm nickel	Shielding	360°; all-round enclosure
Protection degree	IP20	Insertion force	20 N
Material insulator	Polycarbonate PC, UL 94 V-0		

Electrical properties

Contact resistance	≤ 20 mΩ	Current-carrying capacity at 50 °C	1 A
Dielectric strength, contact / contact	≤ 1000 V DC	Dielectric strength, contact / shield	≤ 1500 V DC
PoE / PoE+	conforming to IEEE 802.3af		

General standards

Connector standard	IEC 60603-7-51
--------------------	----------------

Classifications

ETIM 6.0	EC001121	ETIM 7.0	EC001121
ETIM 8.0	EC001121	ECLASS 9.0	27-44-03-90
ECLASS 9.1	27-44-03-90	ECLASS 10.0	27-44-03-90
ECLASS 11.0	27-44-03-90		

IE-P70

Weidmüller Interface GmbH & Co. KG
Klingenbergstraße 26
D-32758 Detmold
Germany

www.weidmueller.com

Technical data**Approvals**

Approvals



ROHS

Conform

Downloads

Engineering Data	CAD data – STEP
Engineering Data	EPLAN, WSCAD, Zuken E3.S
User Documentation	MAN IE GUIDE DE MAN IE GUIDE EN Manual
Catalogues	Catalogues in PDF-format
Brochures	FL FIELDWIRING EN PI PROFINET CABLING EN PI PROFINET CABLING EN

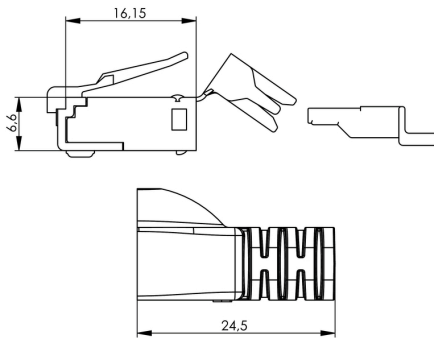
IE-P70

Weidmüller Interface GmbH & Co. KG
Klingenbergstraße 26
D-32758 Detmold
Germany

www.weidmueller.com

Drawings

Dimensioned drawing



IE-P70

Weidmüller Interface GmbH & Co. KG
 Klingenbergstraße 26
 D-32758 Detmold
 Germany

www.weidmueller.com

Accessories

Dust caps



For protecting your devices against dust and dirt.

Dust caps

General ordering data

Type	IE-PP-RJ45
Order No.	2552580000
GTIN (EAN)	4050118562583
Qty.	10 pc(s).

... for modular plug-in connectors



Crimping tools for modular plug-in connector systems WE and DEC

- Ratchet guarantees precise crimping
- Release option in the event of incorrect operation
- Three functions in one tool

General ordering data

Type	TT 8 RS MP 8	Version	
Order No.	9202800000	Pressing tools, Crimping tool for contacts	
GTIN (EAN)	4032248512072		
Qty.	1 pc(s).		

X-ON Electronics

Largest Supplier of Electrical and Electronic Components

Click to view similar products for [Modular Connectors](#) / [Ethernet Connectors](#) category:

Click to view products by [Weidmuller](#) manufacturer:

Other Similar products are found below :

[8949-H88/06BLKA/SN](#) [74441-0010/BKN](#) [PHP-6P6C-5](#) [GAX-3-66](#) [GAX-8-62](#) [GDCX-PN-66](#) [GLX-A-44](#) [GLX-N-1010M-BLK](#) [GMX-SMT4-N-88](#) [GSGX-N-2-88](#) [GSGX-N-4-88](#) [GSX-NS2-88-3.05](#) [GSX-NS-88-3.68](#) [PT-108A-8C-UL](#) [PTS-J531-8CS-50UL](#) [A-2014-0-4](#) [GWLX-S9-88-YG](#) [DC-1021-8-WH-6](#) [1300530003](#) [1324640-4](#) [RJ11FTVC2G](#) [RJ11FTVC2N](#) [RJFTVX2SA1G](#) [132764-001](#) [1413235](#) [MPS88RX-5000](#) [E5288-S000K3-L](#) [155302-001](#) [AX101050](#) [AX101063](#) [AX101065](#) [AX101072](#) [AX101307](#) [AX101315](#) [AX101318](#) [AX102271](#) [AX102288](#) [AX102651](#) [AX102660](#) [AX104024](#) [J0012D21NL](#) [J0026D01ENL](#) [PC4D0018P](#) [8949-B88/6](#) [2-6609208-5](#) [937-SP-3088-2PC-A192](#) [303066VFL](#) [303068V](#) [303088LFLSA](#) [303088SBL](#)