

**IE-M12-ADAP S**

**Weidmüller Interface GmbH & Co. KG**  
Klingenbergstraße 26  
D-32758 Detmold  
Germany

[www.weidmueller.com](http://www.weidmueller.com)



**General ordering data**

Version	Adapter, straight, RJ45, M12, Cat.5 (ISO/IEC 11801), IP67
Order No.	<a href="#">8901620000</a>
Type	IE-M12-ADAP S
GTIN (EAN)	4032248653577
Qty.	1 pc(s).

Creation date January 30, 2022 9:54:43 AM CET

Catalogue status 14.01.2022 / We reserve the right to make technical changes.

## IE-M12-ADAP S

Weidmüller Interface GmbH &amp; Co. KG

Klingenbergstraße 26

D-32758 Detmold

Germany

www.weidmueller.com

## Technical data

## Dimensions and weights

Net weight	32 g
------------	------

## Temperatures

Storage temperature	-40 °C...80 °C	Operating temperature	-25 °C...80 °C
---------------------	----------------	-----------------------	----------------

## Environmental Product Compliance

REACH SVHC	Lead 7439-92-1
------------	----------------

## Technical data customisable plug-in connectors

Category	Cat.5 (ISO/IEC 11801)	Coding	D
Contact surface	Gold-plated	Housing main material	PA 66
Number of poles	4	Protection degree	IP67

## General Info

Connection 1	RJ45	Connection 2	M12
Description of article	Adapter, straight	Configuration	M12 socket to RJ45 socket
Housing main material	PA 66	Category	Cat.5 (ISO/IEC 11801)
Connection thread	M12	Contact surface	Gold-plated
Shielding	Yes	Protection degree	IP67

## Electrical properties

Contact resistance	≤ 10 mΩ	Current-carrying capacity at 50 °C	1 A
--------------------	---------	------------------------------------	-----

## Standards

Connector standard	IEC 60603-7-5, IEC 61076-2-101
--------------------	--------------------------------

## General technical specifications

Coding	D	Connection thread	M12
Contact surface	Gold-plated	Housing main material	PA 66
Number of poles	4	Protection degree	IP67
Version	straight		

## Classifications

ETIM 6.0	EC000313	ETIM 7.0	EC000313
ETIM 8.0	EC000313	ECLASS 9.0	27-44-03-20
ECLASS 9.1	19-17-01-25	ECLASS 10.0	27-44-03-20
ECLASS 11.0	27-44-03-20		

**IE-M12-ADAP S**

**Weidmüller Interface GmbH & Co. KG**  
 Klingenbergstraße 26  
 D-32758 Detmold  
 Germany

www.weidmueller.com

**Technical data**

**Approvals**

Approvals



ROHS	Conform
UL File Number Search	E471884

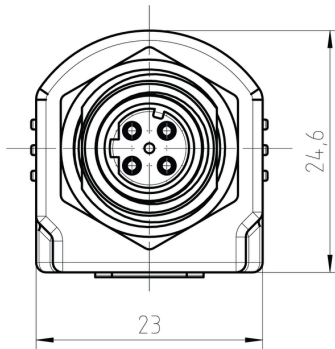
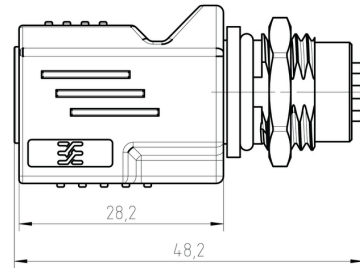
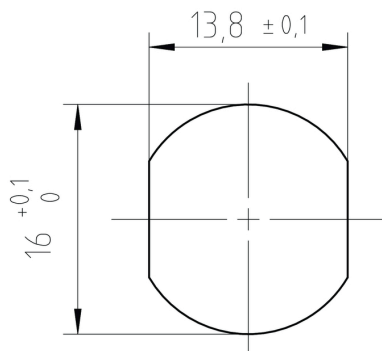
**Downloads**

Approval/Certificate/Document of Conformity	<a href="#">GOST Approval</a> <a href="#">PROFINET Manufacturer's Declaration</a>
Engineering Data	<a href="#">CAD data – STEP</a>
User Documentation	<a href="#">MAN IE GUIDE DE</a> <a href="#">MAN IE GUIDE EN</a>
Catalogues	<a href="#">Catalogues in PDF-format</a>
Brochures	<a href="#">FL FIELDWIRING EN</a> <a href="#">PI PROFINET CABLING EN</a> <a href="#">PI PROFINET CABLING EN</a>

**IE-M12-ADAP S**

**Weidmüller Interface GmbH & Co. KG**  
Klingenbergstraße 26  
D-32758 Detmold  
Germany

[www.weidmueller.com](http://www.weidmueller.com)

**Drawings****Dimensioned drawing****Dimensioned drawing****Installation cut-out**

## X-ON Electronics

Largest Supplier of Electrical and Electronic Components

*Click to view similar products for [Modular Connectors](#) / [Ethernet Connectors](#) category:*

*Click to view products by [Weidmuller](#) manufacturer:*

Other Similar products are found below :

[8949-H88/06BLKA/SN](#) [74441-0010/BKN](#) [PHP-6P6C-5](#) [GAX-3-66](#) [GAX-8-62](#) [GDCX-PN-66](#) [GLX-A-44](#) [GLX-N-1010M-BLK](#) [GMX-SMT4-N-88](#) [GSGX-N-2-88](#) [GSGX-N-4-88](#) [GSX-NS2-88-3.05](#) [GSX-NS-88-3.68](#) [PT-108A-8C-UL](#) [PTS-J531-8CS-50UL](#) [A-2014-0-4](#) [GWLX-S9-88-YG](#) [DC-1021-8-WH-6](#) [1300530003](#) [1324640-4](#) [RJ11FTVC2G](#) [RJ11FTVC2N](#) [RJFTVX2SA1G](#) [132764-001](#) [1413235](#) [MPS88RX-5000](#) [E5288-S000K3-L](#) [155302-001](#) [AX101050](#) [AX101063](#) [AX101065](#) [AX101072](#) [AX101307](#) [AX101315](#) [AX101318](#) [AX102271](#) [AX102288](#) [AX102651](#) [AX102660](#) [AX104024](#) [J0012D21NL](#) [J0026D01ENL](#) [PC4D0018P](#) [8949-B88/6](#) [2-6609208-5](#) [937-SP-3088-2PC-A192](#) [303066VFL](#) [303068V](#) [303088LFLSA](#) [303088SBL](#)