

IE-TO-RJ45-C**Weidmüller Interface GmbH & Co. KG**

Klingenbergstraße 26

D-32758 Detmold

Germany

www.weidmueller.com



Mounting rail outlet, RJ45 junction design according to IEC 60603-7-51

General ordering data

Version	Mounting rail outlet, RJ45, Coupling, IP20, Cat.6A / Class E _A (ISO/IEC 11801 2010)
Order No.	8946920000
Type	IE-TO-RJ45-C
GTIN (EAN)	4032248734801
Qty.	10 pc(s).

Creation date March 26, 2022 2:51:42 AM CET

Catalogue status 11.03.2022 / We reserve the right to make technical changes.

IE-TO-RJ45-C

Weidmüller Interface GmbH & Co. KG

Klingenbergstraße 26

D-32758 Detmold

Germany

www.weidmueller.com

Technical data

Dimensions and weights

Net weight	52.1 g
------------	--------

Temperatures

Operating temperature	-40 °C...70 °C	Humidity	0...93 % rel. humidity
-----------------------	----------------	----------	------------------------

General data

Connection 1	RJ45	Connection 2	RJ45
Configuration	Switchable volt. connection from module/ coupling to mounting rail	Wiring	Coupling
Colour	Light Grey	Shock resistance acc. to IEC 60512-4	250 ms ⁻²
Vibration resistance acc. to IEC 60512-4	50 ms ⁻² sinusoidal (9...500 Hz)	Humidity	0...93 % rel. humidity
Housing main material	PA UL 94 V0	Category	Cat.6 _A / Class E _A (ISO/IEC 11801 2010)
Contact material	Spring steel, Ni 1.2 µm	Contact surface	Au ≥ 0.8 µm
Type of mounting	TS 35	Protection degree	IP20
Plugging cycles	750 (RJ45)		

Electrical properties

Contact resistance	≤ 20 mΩ	Current-carrying capacity at 50 °C	1 A
Dielectric strength, contact / contact	≥ 1000 V DC	Dielectric strength, contact / shield	≥ 1500 V DC
Insulation strength	500 MΩ	PoE / PoE+	conforming to IEEE 802.3af

General standards

Connector standard	IEC 60603-7-51
--------------------	----------------

Classifications

ETIM 6.0	EC000313	ETIM 7.0	EC000313
ETIM 8.0	EC000313	ECLASS 9.0	27-44-03-20
ECLASS 9.1	19-17-01-25	ECLASS 10.0	27-44-03-20
ECLASS 11.0	27-44-03-20		

Approvals

Approvals



ROHS

Conform

IE-TO-RJ45-C

Weidmüller Interface GmbH & Co. KG
Klingenbergstraße 26
D-32758 Detmold
Germany

www.weidmueller.com

Technical data**Downloads**

Approval/Certificate/Document of Conformity	ISO/IEC and TIA/EIA DE ISO/IEC EN and TIA/EIA Screened Class E Category 6, 3 connector permanent link ISO/IEC EN and TIA/EIA Screened Class E Category 6, 4 connector channel ISO/IEC EN and TIA/EIA Screened Class EA Category 6A, 2 connector channel PROFINET Manufacturer's Declaration
Engineering Data	CAD data – STEP
Engineering Data	EPLAN, WSCAD, Zuken E3.S
User Documentation	MAN IE GUIDE DE MAN IE GUIDE EN Manual
Catalogues	Catalogues in PDF-format
Brochures	MB FREECONTACT EN FL FIELDWIRING EN PI PROFINET CABLING EN PI PROFINET CABLING EN

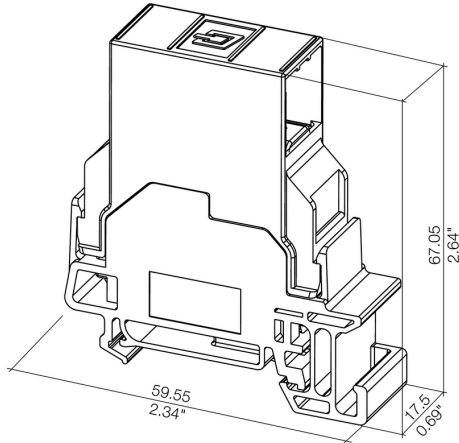
IE-TO-RJ45-C

Weidmüller Interface GmbH & Co. KG
Klingenbergstraße 26
D-32758 Detmold
Germany

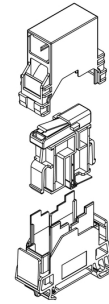
www.weidmueller.com

Drawings

Dimensioned drawing



Drawing



IE-TO-RJ45-C

Weidmüller Interface GmbH & Co. KG
 Klingenbergstraße 26
 D-32758 Detmold
 Germany

www.weidmueller.com

Accessories

Blank



ESG is the tried-and-tested marker in MultiCard format for use on many well-known electrical devices. The result is high-quality device marking with a high-contrast appearance.

Various types are available for devices from manufacturers like Siemens, ABB, Beckhoff etc. Advantages at a glance:

- Tags for universal usage, self-adhesive or clip-on tags, depending on type
- For aligned equipment, e.g. circuit breakers, we supply ESG markers for clipping onto tag rails
- Individual laser-quality printing according to specifications

For custom printing: Please send us a file of our labeling software M-Print PRO or M-Print PRO Online (without installation) for your labeling specifications.

General ordering data

Type	ESG 9/11 K MC NE WS	Version
Order No.	1857440000	ESG, Device markers x 11 mm, PA 66, Colour: white, Self-adhesive
GTIN (EAN)	4032248402731	
Qty.	200 pc(s).	

X-ON Electronics

Largest Supplier of Electrical and Electronic Components

Click to view similar products for [Modular Connectors / Ethernet Connectors](#) category:

Click to view products by [Weidmuller](#) manufacturer:

Other Similar products are found below :

[8949-H88/06BLKA/SN](#) [74441-0010/BKN](#) [MP1010RX-1000](#) [MP44RX-1000](#) [PHJ-4P4C-1-V-4](#) [PHP-6P6C-5](#) [GAX-3-66](#) [GAX-8-62](#) [GDCX-PA-66-50](#) [GDCX-PN-64](#) [GDCX-PN-66](#) [GDCX-PN-66-50](#) [GDLX-A-66](#) [GDLX-N-66](#) [GDLX-S-66](#) [GDLX-S-88K](#) [GDLX-SMT-S-88](#) [GDTX-S-88-50](#) [GDX-PA-1010](#) [GLX-N-1010M-BLK](#) [GLX-S-88M-BLK](#) [GMX-N-1010](#) [GMX-S-1010](#) [GMX-S-66](#) [GMX-SMT4-N-88](#) [GPX-2-64](#) [GSGX-N-2-88](#) [GSGX-N-4-88](#) [GSX-NS2-88-3.05](#) [GSX-NS2-88-3.05-50](#) [GSX-NS-88-3.05-50](#) [PT-108A-8C-UL](#) [PT-J951-8C](#) [PTS-J531-8CS-50UL](#) [1-1775629-2](#) [A-2014-0-4](#) [GWLX-S-88-GR](#) [GWLX-S9-88-YG](#) [DC-1021-8-WH-6](#) [1300530003](#) [1324640-4](#) [RJ11FTVC2G](#) [RJ11FTVC2N](#) [RJFTVX2SA1G](#) [132764-001](#) [1413235](#) [MP88X-1000](#) [MPS88RX-5000](#) [E5288-S000K3-L](#) [E5908-15A242-L](#)