

**PZ 50****Weidmüller Interface GmbH & Co. KG**

Klingenbergstraße 26

D-32758 Detmold

Germany

www.weidmueller.com

**Crimping tools for wire end ferrules, with and without plastic collars**

- Ratchet guarantees precise crimping
- Release option in the event of incorrect operation

**General ordering data**

Version	Pressing tool, Crimping tool for wire-end ferrules, 25mm <sup>2</sup> , 50mm <sup>2</sup> , Indent crimp
Order No.	<a href="#">9006450000</a>
Type	PZ 50
GTIN (EAN)	4008 190095796
Qty.	1 pc(s).

Creation date March 26, 2022 8:13:05 AM CET

Catalogue status 11.03.2022 / We reserve the right to make technical changes.

## PZ 50

Weidmüller Interface GmbH &amp; Co. KG

Klingenbergstraße 26

D-32758 Detmold

Germany

www.weidmueller.com

## Technical data

## Dimensions and weights

Width	250 mm	Width (inches)	9.842 inch
Weight	730 g	Net weight	595.3 g

## Environmental Product Compliance

REACH SVHC	Lead 7439-92-1
------------	----------------

## Technical data

Description of article	(1)Crimping tool	Version	Mechanical, without interchangeable inserts
------------------------	------------------	---------	---

## Description of contact

Conductor cross-section, max. AWG	AWG 0	Conductor cross-section, min. AWG	AWG 4
Crimping range, max.	50 mm <sup>2</sup>	Crimping range, min.	25 mm <sup>2</sup>
Type of contact	Wire-end ferrules with/without plastic collars		

## tool data crimping

Crimping profile 1, min.	25 mm <sup>2</sup>	Crimping profile 2, min.	35 mm <sup>2</sup>
Crimping profile 3, min.	50 mm <sup>2</sup>	Crimping type/profile	Indent crimp
Wire end ferrules cross-section, max.	50 mm <sup>2</sup>	Wire end ferrules cross-section, min.	25 mm <sup>2</sup>

## Classifications

ETIM 6.0	EC000168	ETIM 7.0	EC000168
ETIM 8.0	EC000168	ECLASS 9.0	21-04-38-11
ECLASS 9.1	21-04-38-11	ECLASS 10.0	21-04-38-11
ECLASS 11.0	21-04-38-11		

## Approvals

Approvals



## Downloads

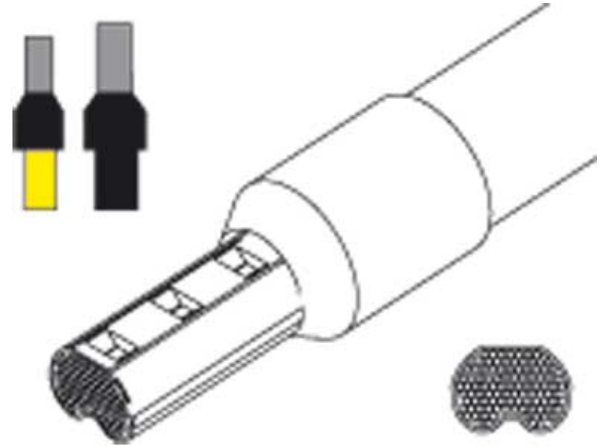
Engineering Data	<a href="#">CAD data – STEP</a>
Engineering Data	<a href="#">WSCAD</a>
User Documentation	<a href="#">Manual</a>
Catalogues	<a href="#">Catalogues in PDF-format</a>
Brochures	

**PZ 50**

**Weidmüller Interface GmbH & Co. KG**  
Klingenbergstraße 26  
D-32758 Detmold  
Germany

[www.weidmueller.com](http://www.weidmueller.com)

**Drawings**



**Example of use**



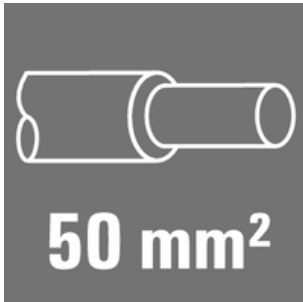
## PZ 50

**Weidmüller Interface GmbH & Co. KG**  
 Klingenbergstraße 26  
 D-32758 Detmold  
 Germany

www.weidmueller.com

# Accessories

### Conductor nom. cross-section 50mm<sup>2</sup>



- supplied loose in poly-bag
- Weidmüller colour code
- DIN colour code

#### General ordering data

Type	H50,0/36D BL	Version	Packaging
Order No.	<a href="#">9019340000</a>	Wire-end ferrule, Standard, 26 mm, 20 mm, blue	loose
GTIN (EAN)	4008190067632		
Qty.	50 pc(s).		
Type	H50,0/36 OLIV	Version	Packaging
Order No.	<a href="#">0444200000</a>	Wire-end ferrule, Standard, 26 mm, 20 mm, Olive green	loose
GTIN (EAN)	4008190110284		
Qty.	50 pc(s).		
Type	H50,0/41D BL	Version	Packaging
Order No.	<a href="#">9019350000</a>	Wire-end ferrule, Standard, 31 mm, 25 mm, blue	loose
GTIN (EAN)	4008190049263		
Qty.	50 pc(s).		

### Nominal conductor cross-section 10.0 mm<sup>2</sup> - 185.0 mm<sup>2</sup>



- For conductors from 10.0 to 185.0 mm<sup>2</sup> (AWG 7 - 350 MCM)  
 tin-plated copper  
 dimensional tolerances to DIN 46228 part 1
- supplied loose in poly-bag

#### General ordering data

Type	H35,0/25	Version	Packaging
Order No.	<a href="#">9004190000</a>	Wire-end ferrule, Standard, 25 mm, 25 mm, No	loose
GTIN (EAN)	4008190096083		
Qty.	100 pc(s).		
Type	H35,0/32	Version	Packaging
Order No.	<a href="#">9004200000</a>	Wire-end ferrule, Standard, 32 mm, 32 mm, No	loose
GTIN (EAN)	4008190077303		
Qty.	100 pc(s).		
Type	H50,0/22S	Version	Packaging
Order No.	<a href="#">9025880000</a>	Wire-end ferrule, Standard, 22 mm, 22 mm, No	loose
GTIN (EAN)	4008190180430		
Qty.	100 pc(s).		

## PZ 50

**Weidmüller Interface GmbH & Co. KG**  
 Klingenbergstraße 26  
 D-32758 Detmold  
 Germany

www.weidmueller.com

## Accessories

Type	H50,0/32	Version	Packaging
Order No.	<a href="#">9004220000</a>	Wire-end ferrule, Standard, 32 mm, 32 mm, No	loose
GTIN (EAN)	4008190059606		
Qty.	100 pc(s).		
Type	H25,0/32	Version	Packaging
Order No.	<a href="#">9004180000</a>	Wire-end ferrule, Standard, 32 mm, 32 mm, No	loose
GTIN (EAN)	4008190113162		
Qty.	100 pc(s).		
Type	H35,0/18	Version	Packaging
Order No.	<a href="#">0368900000</a>	Wire-end ferrule, Standard, 18 mm, 18 mm, No	loose
GTIN (EAN)	4008190145675		
Qty.	100 pc(s).		
Type	H35,0/30S	Version	Packaging
Order No.	<a href="#">9451000000</a>	Wire-end ferrule, Standard, 30 mm, 30 mm, No	loose
GTIN (EAN)	4008190071516		
Qty.	100 pc(s).		
Type	H25,0/25	Version	Packaging
Order No.	<a href="#">9004170000</a>	Wire-end ferrule, Standard, 25 mm, 25 mm, No	loose
GTIN (EAN)	4008190021863		
Qty.	250 pc(s).		
Type	H50,0/18	Version	Packaging
Order No.	<a href="#">9004210000</a>	Wire-end ferrule, Standard, 18 mm, 18 mm, No	loose
GTIN (EAN)	4008190123383		
Qty.	100 pc(s).		
Type	H25,0/18	Version	Packaging
Order No.	<a href="#">0375300000</a>	Wire-end ferrule, Standard, 18 mm, 18 mm, No	loose
GTIN (EAN)	4008190145378		
Qty.	100 pc(s).		

Conductor nom. cross-section 35mm<sup>2</sup>

- supplied loose in poly-bag
- Weidmüller colour code
- DIN colour code

## General ordering data

Type	H35,0/32D R	Version	Packaging
Order No.	<a href="#">9019320000</a>	Wire-end ferrule, Standard, 19 mm, 18 mm, red	loose
GTIN (EAN)	4008190111847		
Qty.	50 pc(s).		
Type	H35,0/30 BE	Version	Packaging
Order No.	<a href="#">0317200000</a>	Wire-end ferrule, Standard, 19 mm, 16 mm, beige	loose
GTIN (EAN)	4008190023904		
Qty.	50 pc(s).		

Creation date March 26, 2022 8:13:05 AM CET

Catalogue status 11.03.2022 / We reserve the right to make technical changes.

## PZ 50

Weidmüller Interface GmbH &amp; Co. KG

Klingenbergstraße 26

D-32758 Detmold

Germany

www.weidmueller.com

## Accessories

Type	H35,0/30D 16 R	Version		Packaging
Order No.	<a href="#">9019310000</a>	Wire-end ferrule, Standard, 19 mm, 16 mm, red		loose
GTIN (EAN)	4008190102234			
Qty.	50 pc(s).			
Type	H35,0/39 BE	Version		Packaging
Order No.	<a href="#">0317300000</a>	Wire-end ferrule, Standard, 28 mm, 25 mm, beige		loose
GTIN (EAN)	4008190151294			
Qty.	50 pc(s).			
Type	H35,0/39D R	Version		Packaging
Order No.	<a href="#">9019330000</a>	Wire-end ferrule, Standard, 28 mm, 25 mm, red		loose
GTIN (EAN)	4008190048365			
Qty.	50 pc(s).			

## Accessories / replacement parts



## Crimping tools for wire end ferrules, with and without plastic collars

- Ratchet guarantees precise crimping
- Release option in the event of incorrect operation

## General ordering data

Type	ERTE ES PZ 50
Order No.	<a href="#">9006280000</a>
GTIN (EAN)	4008190114619
Qty.	1 pc(s).

Conductor nom. cross-section 25mm<sup>2</sup>

- supplied loose in poly-bag
- Weidmüller colour code
- DIN colour code
- other colour code

## General ordering data

Type	H25,0/30D 16 GE	Version		Packaging
Order No.	<a href="#">9019280000</a>	Wire-end ferrule, Standard, 18 mm, 16 mm, yellow		loose
GTIN (EAN)	4008190038380			
Qty.	50 pc(s).			
Type	H25,0/30T SW	Version		Packaging
Order No.	<a href="#">9021190000</a>	Wire-end ferrule, Standard, 18 mm, 16 mm, black		loose
GTIN (EAN)	4008190115166			
Qty.	50 pc(s).			

Creation date March 26, 2022 8:13:05 AM CET

Catalogue status 11.03.2022 / We reserve the right to make technical changes.

## PZ 50

**Weidmüller Interface GmbH & Co. KG**  
 Klingenbergstraße 26  
 D-32758 Detmold  
 Germany

www.weidmueller.com

## Accessories

Type	H25,0/36 BR	Version	Packaging
Order No.	<a href="#">0317100000</a>	Wire-end ferrule, Standard, 24 mm, 22 mm, brown	loose
GTIN (EAN)	4008190049751		
Qty.	50 pc(s).		
Type	H25,0/30 BR	Version	Packaging
Order No.	<a href="#">0317000000</a>	Wire-end ferrule, Standard, 18 mm, 16 mm, brown	loose
GTIN (EAN)	4008190158231		
Qty.	50 pc(s).		
Type	H25,0/36D GE	Version	Packaging
Order No.	<a href="#">9019300000</a>	Wire-end ferrule, Standard, 24 mm, 22 mm, yellow	loose
GTIN (EAN)	4008190054984		
Qty.	50 pc(s).		
Type	H25,0/36T SW	Version	Packaging
Order No.	<a href="#">9021200000</a>	Wire-end ferrule, Standard, 24 mm, 22 mm, black	loose
GTIN (EAN)	4008190055400		
Qty.	50 pc(s).		

## Replacement parts



After stripping the insulation, a suitable contact or wire end ferrule can be crimped onto the end of the cable. Crimping forms a secure connection between conductor and contact and has largely replaced soldering. Crimping denotes the creation of a homogeneous, permanent connection between conductor and connecting element. The connection can be made only with high-quality precision tools. The result is a secure and reliable connection both in mechanical and electrical terms. Weidmüller offers a wide range of mechanical crimping tools. Integral ratchets with release mechanisms guarantee optimum crimping. Crimped connections made with Weidmüller tools comply with international standards and regulations.

## General ordering data

Type	ERTE GRIFFE PZ	Version	
Order No.	<a href="#">9202810000</a>	Pressing tool, Replacement part	
GTIN (EAN)	4032248512577		
Qty.	1 pc(s).		

## X-ON Electronics

Largest Supplier of Electrical and Electronic Components

*Click to view similar products for [Crimpers / Crimping Tools](#) category:*

*Click to view products by [Weidmuller](#) manufacturer:*

Other Similar products are found below :

[010-0096](#) [M225201-06](#) [M225202-37](#) [6-1579015-5](#) [CT150-6-RH07](#) [622-6441LF](#) [M322](#) [6-304052-1](#) [63456-0054](#) [63484-3701](#) [63800-8355](#)  
[63819-1875](#) [63819-2875](#) [63819-4475](#) [63823-3475](#) [63827-5375](#) [64001-0975](#) [64001-4175](#) [64005-0175](#) [662903-2](#) [690602-6](#) [7-1579001-9](#) [7-](#)  
[23471-1](#) [762637-1](#) [808714-1](#) [811242-5](#) [999-50-020083](#) [1-21002-3](#) [1-21002-7](#) [12085270](#) [1-21002-6](#) [1-21113-6](#) [1-22548-4](#) [125442-1](#)  
[DCE.91.073.BVC](#) [DCE.91.090.3MVM](#) [DCE.91.130.5MVU](#) [DCE.91.202.BVCM](#) [1338300-1](#) [1-354003-0](#) [1338301-1](#) [DF62/RE-MD](#) [142321](#)  
[1456088-1](#) [1490794-1](#) [1-45804-6](#) [1490357-2](#) [1490357-3](#) [AX100749](#) [1-59619-7](#)