

**PZ 4****Weidmüller Interface GmbH & Co. KG**

Klingenbergstraße 26

D-32758 Detmold

Germany

www.weidmueller.com

**Crimping tools for wire end ferrules, with and without plastic collars**

- Ratchet guarantees precise crimping
- Release option in the event of incorrect operation

**General ordering data**

Version	Pressing tool, Crimping tool for wire-end ferrules, 0.5mm <sup>2</sup> , 4mm <sup>2</sup> , Trapezoidal crimp
Order No.	<a href="#">9012500000</a>
Type	PZ 4
GTIN (EAN)	4008 190090920
Qty.	1 pc(s).
Replacement parts	<a href="#">9012540000</a> <a href="#">9202810000</a>

Creation date March 26, 2022 3:30:49 PM CET

Catalogue status 11.03.2022 / We reserve the right to make technical changes.

## PZ 4

Weidmüller Interface GmbH &amp; Co. KG

Klingenbergstraße 26

D-32758 Detmold

Germany

www.weidmueller.com

## Technical data

## Dimensions and weights

Width	200 mm	Width (inches)	7.874 inch
Weight	448 g	Net weight	425.6 g

## Environmental Product Compliance

REACH SVHC	Lead 7439-92-1
------------	----------------

## Technical data

Description of article	(1)Crimping tool	Version	Mechanical, without interchangeable inserts
------------------------	------------------	---------	---

## Description of contact

Conductor cross-section, max. AWG	AWG 12	Conductor cross-section, min. AWG	AWG 21
Crimping range, max.	4 mm <sup>2</sup>	Crimping range, min.	0.5 mm <sup>2</sup>
Type of contact	Wire-end ferrules with/without plastic collars		

## tool data crimping

Crimping type/profile	Trapezoidal crimp	Wire end ferrules cross-section, max.	4 mm <sup>2</sup>
Wire end ferrules cross-section, min.	0.5 mm <sup>2</sup>		

## Classifications

ETIM 6.0	EC000168	ETIM 7.0	EC000168
ETIM 8.0	EC000168	ECLASS 9.0	21-04-38-11
ECLASS 9.1	21-04-38-11	ECLASS 10.0	21-04-38-11
ECLASS 11.0	21-04-38-11		

## Approvals

Approvals



## Downloads

Engineering Data	<a href="#">WSCAD</a>
User Documentation	<a href="#">Manual</a>
Catalogues	<a href="#">Catalogues in PDF-format</a>
Brochures	

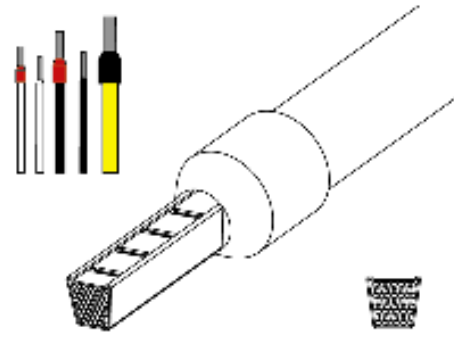
**Data sheet**

**PZ 4**

**Weidmüller Interface GmbH & Co. KG**  
Klingenbergstraße 26  
D-32758 Detmold  
Germany

[www.weidmueller.com](http://www.weidmueller.com)

**Drawings**



## PZ 4

Weidmüller Interface GmbH &amp; Co. KG

Klingenbergstraße 26

D-32758 Detmold

Germany

www.weidmueller.com

## Replacement parts

## Replacement parts



After stripping the insulation, a suitable contact or wire end ferrule can be crimped onto the end of the cable. Crimping forms a secure connection between conductor and contact and has largely replaced soldering. Crimping denotes the creation of a homogeneous, permanent connection between conductor and connecting element. The connection can be made only with high-quality precision tools. The result is a secure and reliable connection both in mechanical and electrical terms. Weidmüller offers a wide range of mechanical crimping tools. Integral ratchets with release mechanisms guarantee optimum crimping. Crimped connections made with Weidmüller tools comply with international standards and regulations.

## General ordering data

Type	ERTE GRIFFE PZ	Version
Order No.	<a href="#">9202810000</a>	Pressing tool, Replacement part
GTIN (EAN)	4032248512577	
Qty.	1 pc(s).	

## Accessories / replacement parts


**Crimping tools for wire end ferrules, with and without plastic collars**

- Ratchet guarantees precise crimping
- Release option in the event of incorrect operation

## General ordering data

Type	ERTE ES PZ 4
Order No.	<a href="#">9012540000</a>
GTIN (EAN)	4008190106454
Qty.	1 pc(s).

## PZ 4

**Weidmüller Interface GmbH & Co. KG**  
 Klingenbergstraße 26  
 D-32758 Detmold  
 Germany

www.weidmueller.com

# Accessories

## Strip of wire end ferrules on reel



- Linked wire-end ferrules on reel (5,000 pcs.)
- Weidmüller colour code
- DIN colour code
- other colour code

### General ordering data

Type	H1,5/14 R BD GSP	Version	Packaging
Order No.	<a href="#">9005840000</a>	Wire-end ferrule, Standard, 10 mm, 8 mm, red	Reel
GTIN (EAN)	4008190275907		
Qty.	5,000 pc(s).		
Type	H1,5/14S GN BD GSP	Version	Packaging
Order No.	<a href="#">9028370000</a>	Wire-end ferrule, Standard, 10 mm, 8 mm, green	Reel
GTIN (EAN)	4032248318537		
Qty.	5,000 pc(s).		
Type	H1,5/14D SW BD GSP	Version	Packaging
Order No.	<a href="#">9005890000</a>	Wire-end ferrule, Standard, 10 mm, 8 mm, black	Reel
GTIN (EAN)	4008190275952		
Qty.	5,000 pc(s).		

## Accessories / replacement parts



### Crimping tools for wire end ferrules, with and without plastic collars

- Ratchet guarantees precise crimping
- Release option in the event of incorrect operation

### General ordering data

Type	ERTE ES PZ 4
Order No.	<a href="#">9012540000</a>
GTIN (EAN)	4008190106454
Qty.	1 pc(s).

## PZ 4

Weidmüller Interface GmbH &amp; Co. KG

Klingenbergstraße 26

D-32758 Detmold

Germany

www.weidmueller.com

## Accessories

## supplied loose in polybag



- Polypropylene conical cable entry funnel
- Heat-resistant up to 105°C

For conductors from 0.5 – 10.0 mm<sup>2</sup> (AWG 20-7)

Material: E-Cu, tin galvanised

Dimensional tolerance acc. to DIN 46228 sect. 4

## General ordering data

Type	H0,75/14TS HBL	Version	Packaging
Order No.	<a href="#">9018550000</a>	Wire-end ferrule, Standard, 10 mm, 8 mm, Light Blue	loose
GTIN (EAN)	4008190207991		
Qty.	500 pc(s).		
Type	H0,75/19S ZH W	Version	Packaging
Order No.	<a href="#">9202820000</a>	Wire-end ferrule, Twin wire-end ferrule, 21 mm, 12 mm, white	loose
GTIN (EAN)	4032248515769		
Qty.	500 pc(s).		
Type	H0,75/15S W	Version	Packaging
Order No.	<a href="#">9204240000</a>	Wire-end ferrule, Standard, 10 mm, 9 mm, Light Blue	loose
GTIN (EAN)	4032248621545		
Qty.	500 pc(s).		
Type	H0,75/19TS ZH HBL	Version	Packaging
Order No.	<a href="#">9202840000</a>	Wire-end ferrule, Twin wire-end ferrule, 16 mm, 12 mm, Light Blue	loose
GTIN (EAN)	4032248515783		
Qty.	500 pc(s).		
Type	H0,75/14S W	Version	Packaging
Order No.	<a href="#">9025960000</a>	Wire-end ferrule, Standard, 10 mm, 8 mm, white	loose
GTIN (EAN)	4008190009878		
Qty.	500 pc(s).		
Type	H0,75/19DS ZH GR	Version	Packaging
Order No.	<a href="#">9202830000</a>	Wire-end ferrule, Twin wire-end ferrule, 21 mm, 12 mm, grey	loose
GTIN (EAN)	4032248515776		
Qty.	500 pc(s).		
Type	H0,75/14DS GR	Version	Packaging
Order No.	<a href="#">9028580000</a>	Wire-end ferrule, Standard, 10 mm, 8 mm, grey	loose
GTIN (EAN)	4032248159475		
Qty.	500 pc(s).		

## PZ 4

**Weidmüller Interface GmbH & Co. KG**  
 Klingenbergstraße 26  
 D-32758 Detmold  
 Germany

www.weidmueller.com

# Accessories

### in multipack bag



- supplied loose in polybag
- Weidmüller colour code

### General ordering data

Type	H2,5/17,5X BL SV	Version	Packaging
Order No.	<a href="#">9006670000</a>	Wire-end ferrule, Standard, 14 mm, 8 mm, blue	Multipack bag
GTIN (EAN)	4008190332273		
Qty.	100 pc(s).		
Type	H2,5/21,5X BL SV	Version	Packaging
Order No.	<a href="#">9006710000</a>	Wire-end ferrule, Standard, 17 mm, 12 mm, blue	Multipack bag
GTIN (EAN)	4008190332280		
Qty.	100 pc(s).		

### in multipack bag



- Polypropylene conical cable entry
- Heat-resistant up to 105°C

for conductors from 1.5 to 16 mm<sup>2</sup> (AWG 16-6)  
 tin-plated copper  
 dimensional tolerances to DIN 46228 part 4

### General ordering data

Type	H6,0/23X GE SV	Version	Packaging
Order No.	<a href="#">9006790000</a>	Wire-end ferrule, Standard, 17 mm, 12 mm, yellow	Multipack bag
GTIN (EAN)	4008190332303		
Qty.	100 pc(s).		

## PZ 4

**Weidmüller Interface GmbH & Co. KG**  
 Klingenbergstraße 26  
 D-32758 Detmold  
 Germany

www.weidmueller.com

## Accessories

### supplied loose in polybag



- Polypropylene conical cable entry funnel
- Heat-resistant up to 105°C

For conductors from 0.5 – 10.0 mm<sup>2</sup> (AWG 20-7)  
 Material: E-Cu, tin galvanised  
 Dimensional tolerance acc. to DIN 46228 sect. 4

### General ordering data

Type	H1,5/12S R	Version	Packaging
Order No.	<a href="#">9025690000</a>	Wire-end ferrule, Standard, 8 mm, 6 mm, red	loose
GTIN (EAN)	4008190059439		
Qty.	500 pc(s).		
Type	H1,5/14S R	Version	Packaging
Order No.	<a href="#">9025980000</a>	Wire-end ferrule, Standard, 10 mm, 8 mm, red	loose
GTIN (EAN)	4008190080730		
Qty.	500 pc(s).		
Type	H1,5/14DS SW	Version	Packaging
Order No.	<a href="#">9025240000</a>	Wire-end ferrule, Standard, 10 mm, 8 mm, black	loose
GTIN (EAN)	4008190085599		
Qty.	500 pc(s).		

### Multi-bag



- in multipack bag (5 x 100 pcs.)
- Weidmüller colour code
- DIN colour code
- other colour code

### General ordering data

Type	H0,75/14 ZH W SV	Version	Packaging
Order No.	<a href="#">9018510000</a>	Wire-end ferrule, Twin wire-end ferrule, 11 mm, 8 mm, white	Multipack bag
GTIN (EAN)	4008190019914		
Qty.	500 pc(s).		
Type	H0,75/16T ZH HBL SV	Version	Packaging
Order No.	<a href="#">9005140000</a>	Wire-end ferrule, Twin wire-end ferrule, 13 mm, 10 mm, Light Blue	Multipack bag
GTIN (EAN)	4008190482725		
Qty.	500 pc(s).		
Type	H0,75/15T ZH BL SV	Version	Packaging
Order No.	<a href="#">9018570000</a>	Wire-end ferrule, Twin wire-end ferrule, 11 mm, 8 mm, Light Blue	Multipack bag
GTIN (EAN)	4008190272630		
Qty.	500 pc(s).		

Creation date March 26, 2022 3:30:49 PM CET



## PZ 4

**Weidmüller Interface GmbH & Co. KG**  
 Klingenbergstraße 26  
 D-32758 Detmold  
 Germany

www.weidmueller.com

## Accessories

Type	H0,75/14D ZH GR SV	Version	Packaging
Order No.	<a href="#">9018520000</a>	Wire-end ferrule, Twin wire-end ferrule, 11 mm, 8 mm, grey	Multipack bag
GTIN (EAN)	4008190097998		
Qty.	500 pc(s).		
Type	H0,75/16 ZH W SV	Version	Packaging
Order No.	<a href="#">9004900000</a>	Wire-end ferrule, Twin wire-end ferrule, 13 mm, 10 mm, white	Multipack bag
GTIN (EAN)	4008190482671		
Qty.	500 pc(s).		
Type	H0,75/16D ZH GR SV	Version	Packaging
Order No.	<a href="#">9004770000</a>	Wire-end ferrule, Twin wire-end ferrule, 13 mm, 10 mm, grey	Multipack bag
GTIN (EAN)	4008190038816		
Qty.	500 pc(s).		

## supplied loose in polybag



- Polypropylene conical cable entry funnel
- Heat-resistant up to 105°C

For conductors from 0.5 – 10.0 mm<sup>2</sup> (AWG 20-7)  
 Material: E-Cu, tin galvanised  
 Dimensional tolerance acc. to DIN 46228 sect. 4

## General ordering data

Type	H2,5/14TS GR	Version	Packaging
Order No.	<a href="#">9426770000</a>	Wire-end ferrule, Standard, 10 mm, 8 mm, grey	loose
GTIN (EAN)	4032248160693		
Qty.	500 pc(s).		
Type	H2,5/12TS GR	Version	Packaging
Order No.	<a href="#">9036200000</a>	Wire-end ferrule, Standard, 8 mm, 6 mm, grey	loose
GTIN (EAN)	4032248067992		
Qty.	500 pc(s).		
Type	H2,5/16DS BL	Version	Packaging
Order No.	<a href="#">9036220000</a>	Wire-end ferrule, Standard, 13 mm, 10 mm, blue	loose
GTIN (EAN)	4032248068012		
Qty.	500 pc(s).		
Type	H2,5/14DS BL	Version	Packaging
Order No.	<a href="#">1333100000</a>	Wire-end ferrule, Standard, 10 mm, 8 mm, blue	loose
GTIN (EAN)	4008190160364		
Qty.	500 pc(s).		
Type	H2,5/12DS BL	Version	Packaging
Order No.	<a href="#">9028490000</a>	Wire-end ferrule, Standard, 8 mm, 6 mm, blue	loose
GTIN (EAN)	4032248049028		
Qty.	500 pc(s).		
Type	H2,5/16 TS GR	Version	Packaging
Order No.	<a href="#">9036210000</a>	Wire-end ferrule, Standard, 12 mm, 10 mm, grey	loose
GTIN (EAN)	4032248068005		
Qty.	500 pc(s).		

Creation date March 26, 2022 3:30:49 PM CET

Catalogue status 11.03.2022 / We reserve the right to make technical changes.

## PZ 4

**Weidmüller Interface GmbH & Co. KG**  
 Klingenbergstraße 26  
 D-32758 Detmold  
 Germany

www.weidmueller.com

## Accessories

## packed loose in polythene bag



- supplied loose in polybag
- Weidmüller colour code
- DIN colour code

## General ordering data

Type	H0,5/18 ZH OR	Version	Packaging
Order No.	<a href="#">9037220000</a>	Wire-end ferrule, Twin wire-end ferrule, 15 mm, 12 mm, orange	loose
GTIN (EAN)	4008190492694		
Qty.	500 pc(s).		
Type	H0,5/16D ZH W	Version	Packaging
Order No.	<a href="#">9037390000</a>	Wire-end ferrule, Twin wire-end ferrule, 13 mm, 10 mm, white	loose
GTIN (EAN)	4008190492878		
Qty.	500 pc(s).		
Type	H0,5/18D ZH W	Version	Packaging
Order No.	<a href="#">9037400000</a>	Wire-end ferrule, Twin wire-end ferrule, 15 mm, 12 mm, white	loose
GTIN (EAN)	4008190492892		
Qty.	500 pc(s).		
Type	H0,5/16 ZH OR	Version	Packaging
Order No.	<a href="#">9037210000</a>	Wire-end ferrule, Twin wire-end ferrule, 13 mm, 10 mm, orange	loose
GTIN (EAN)	4008190492687		
Qty.	500 pc(s).		
Type	H0,5/14 ZH OR	Version	Packaging
Order No.	<a href="#">9037200000</a>	Wire-end ferrule, Twin wire-end ferrule, 11 mm, 8 mm, orange	loose
GTIN (EAN)	4008190492397		
Qty.	500 pc(s).		
Type	H0,5/14D ZH W	Version	Packaging
Order No.	<a href="#">9037380000</a>	Wire-end ferrule, Twin wire-end ferrule, 11 mm, 8 mm, white	loose
GTIN (EAN)	4008190492861		
Qty.	500 pc(s).		

## PZ 4

**Weidmüller Interface GmbH & Co. KG**  
 Klingenbergstraße 26  
 D-32758 Detmold  
 Germany

www.weidmueller.com

## Accessories

## packed loose in polythene bag



- supplied loose in polybag
- Weidmüller colour code
- DIN colour code

## General ordering data

Type	H1,0/12 GE	Version	Packaging
Order No.	<a href="#">0409700000</a>	Wire-end ferrule, Standard, 8 mm, 6 mm, yellow	loose
GTIN (EAN)	4008190152222		
Qty.	500 pc(s).		
Type	H1,0/16 GE	Version	Packaging
Order No.	<a href="#">9025950000</a>	Wire-end ferrule, Standard, 12 mm, 10 mm, yellow	loose
GTIN (EAN)	4008190037291		
Qty.	500 pc(s).		
Type	H1,0/18 GE	Version	Packaging
Order No.	<a href="#">9025930000</a>	Wire-end ferrule, Standard, 15 mm, 12 mm, yellow	loose
GTIN (EAN)	4008190101497		
Qty.	500 pc(s).		
Type	H1,0/12D R	Version	Packaging
Order No.	<a href="#">9019070000</a>	Wire-end ferrule, Standard, 8 mm, 6 mm, red	loose
GTIN (EAN)	4008190029074		
Qty.	500 pc(s).		
Type	H1,0/14 GE	Version	Packaging
Order No.	<a href="#">0463000000</a>	Wire-end ferrule, Standard, 10 mm, 8 mm, yellow	loose
GTIN (EAN)	4008190024697		
Qty.	500 pc(s).		
Type	H1,0/16D R	Version	Packaging
Order No.	<a href="#">9019100000</a>	Wire-end ferrule, Standard, 12 mm, 10 mm, red	loose
GTIN (EAN)	4008190159986		
Qty.	500 pc(s).		
Type	H1,0/14D R	Version	Packaging
Order No.	<a href="#">9019080000</a>	Wire-end ferrule, Standard, 10 mm, 8 mm, red	loose
GTIN (EAN)	4008190090623		
Qty.	500 pc(s).		
Type	H1,0/18D R	Version	Packaging
Order No.	<a href="#">9019110000</a>	Wire-end ferrule, Standard, 15 mm, 12 mm, red	loose
GTIN (EAN)	4008190174828		
Qty.	500 pc(s).		

## PZ 4

**Weidmüller Interface GmbH & Co. KG**  
 Klingenbergstraße 26  
 D-32758 Detmold  
 Germany

www.weidmueller.com

# Accessories

## Multi-bag



- in multi-pack bag (5 x 100 pcs.)
- DIN colour code
- other colour code

### General ordering data

Type	H4,0/22T ZH OR SV	Version	Packaging
Order No.	<a href="#">9018590000</a>	Wire-end ferrule, Twin wire-end ferrule, 15 mm, 12 mm, orange	Multipack bag
GTIN (EAN)	4008190272654		
Qty.	100 pc(s).		
Type	H4,0/22D ZH GR SV	Version	Packaging
Order No.	<a href="#">9004730000</a>	Wire-end ferrule, Twin wire-end ferrule, 15 mm, 12 mm, grey	Multipack bag
GTIN (EAN)	4008190161811		
Qty.	100 pc(s).		

## Strip of wire end ferrules on reel



- Linked wire-end ferrules on reel (5,000 pcs.)
- Weidmüller colour code
- DIN colour code
- other colour code

### General ordering data

Type	H0,75/14 W BD GSP	Version	Packaging
Order No.	<a href="#">9005820000</a>	Wire-end ferrule, Standard, 10 mm, 8 mm, white	Reel
GTIN (EAN)	4008190275884		
Qty.	5,000 pc(s).		
Type	H0,75/14D GR BD GSP	Version	Packaging
Order No.	<a href="#">9005870000</a>	Wire-end ferrule, Standard, 10 mm, 8 mm, grey	Reel
GTIN (EAN)	4008190275938		
Qty.	5,000 pc(s).		
Type	H0,75/14T BL BD GSP	Version	Packaging
Order No.	<a href="#">9005900000</a>	Wire-end ferrule, Standard, 10 mm, 8 mm, Light Blue	Reel
GTIN (EAN)	4008190275969		
Qty.	5,000 pc(s).		

## PZ 4

**Weidmüller Interface GmbH & Co. KG**  
 Klingenbergstraße 26  
 D-32758 Detmold  
 Germany

www.weidmueller.com

## Accessories

## supplied loose in polybag



- Polypropylene conical cable entry funnel
- Heat-resistant up to 105°C

For conductors from 0.5 – 10.0 mm<sup>2</sup> (AWG 20-7)  
 Material: E-Cu, tin galvanised  
 Dimensional tolerance acc. to DIN 46228 sect. 4

## General ordering data

Type	H1,0/15S ZH GE	Version	Packaging
Order No.	<a href="#">9018690000</a>	Wire-end ferrule, Twin wire-end ferrule, 12 mm, 8 mm, yellow	loose
GTIN (EAN)	4032248017720		
Qty.	500 pc(s).		
Type	H1,0/14S R	Version	Packaging
Order No.	<a href="#">9018560000</a>	Wire-end ferrule, Standard, 10 mm, 8 mm, red	loose
GTIN (EAN)	4008190207984		
Qty.	500 pc(s).		
Type	H1,0/14S GE	Version	Packaging
Order No.	<a href="#">9025970000</a>	Wire-end ferrule, Standard, 10 mm, 8 mm, yellow	loose
GTIN (EAN)	4008190063733		
Qty.	500 pc(s).		
Type	H1,0/22DS R ZH	Version	Packaging
Order No.	<a href="#">9036330000</a>	Wire-end ferrule, Twin wire-end ferrule, 21 mm, 14 mm, red, Dark Blue	loose
GTIN (EAN)	4032248338566		
Qty.	500 pc(s).		

## Strip of wire end ferrules on reel



- Linked wire-end ferrules on reel (5,000 pcs.)
- Weidmüller colour code
- DIN colour code

## General ordering data

Type	H0,5/14D W BD GSP	Version	Packaging
Order No.	<a href="#">9005860000</a>	Wire-end ferrule, Standard, 10 mm, 8 mm, white	Reel
GTIN (EAN)	4008190275921		
Qty.	5,000 pc(s).		
Type	H0,5/14 OR BD GSP	Version	Packaging
Order No.	<a href="#">9005810000</a>	Wire-end ferrule, Standard, 10 mm, 8 mm, orange	Reel
GTIN (EAN)	4008190275877		
Qty.	5,000 pc(s).		

## PZ 4

**Weidmüller Interface GmbH & Co. KG**  
 Klingenbergstraße 26  
 D-32758 Detmold  
 Germany

www.weidmueller.com

# Accessories

### Strip of wire end ferrules



- Linked of wire-end ferrule strips (50 pcs.)
- Weidmüller colour code
- DIN colour code

### General ordering data

Type	H0,5/14 OR BD	Version	Packaging
Order No.	<a href="#">9004270000</a>	Wire-end ferrule, Standard, 10 mm, 8 mm, orange	Reel
GTIN (EAN)	4008190091774		packaged
Qty.	500 pc(s).		
Type	H0,5/14D W BD	Version	Packaging
Order No.	<a href="#">9004280000</a>	Wire-end ferrule, Standard, 10 mm, 8 mm, white	Reel
GTIN (EAN)	4008190162627		packaged
Qty.	500 pc(s).		
Type	H0,5/14T W BD	Version	Packaging
Order No.	<a href="#">9021930000</a>	Wire-end ferrule, Standard, 10 mm, 8 mm, white	Reel
GTIN (EAN)	4008190262402		packaged
Qty.	500 pc(s).		

### Strip of wire end ferrules



- Linked of wire-end ferrule strips (50 pcs.)
- DIN colour code
- other colour code

### General ordering data

Type	H2,5/14D BL BD	Version	Packaging
Order No.	<a href="#">9004360000</a>	Wire-end ferrule, Standard, 10 mm, 8 mm, blue	Reel
GTIN (EAN)	4008190083397		packaged
Qty.	500 pc(s).		
Type	H2,5/14T GR BD	Version	Packaging
Order No.	<a href="#">9004370000</a>	Wire-end ferrule, Standard, 11 mm, 8 mm, grey	Reel
GTIN (EAN)	4008190052508		packaged
Qty.	500 pc(s).		

## PZ 4

**Weidmüller Interface GmbH & Co. KG**  
 Klingenbergstraße 26  
 D-32758 Detmold  
 Germany

www.weidmueller.com

## Accessories

## Multi-bag



- in multi-pack bag (5 x 100 pcs.)
- Weidmüller colour code
- DIN colour code

## General ordering data

Type	H1,5/14 R SV	Version	Packaging
Order No.	<a href="#">9026090000</a>	Wire-end ferrule, Standard, 10 mm, 8 mm, red	Multipack bag
GTIN (EAN)	4008190137168		
Qty.	500 pc(s).		
Type	H1,5/14D SW SV	Version	Packaging
Order No.	<a href="#">9019430000</a>	Wire-end ferrule, Standard, 10 mm, 8 mm, black	Multipack bag
GTIN (EAN)	4008190107420		
Qty.	500 pc(s).		
Type	H1,5/16 R SV	Version	Packaging
Order No.	<a href="#">9028350000</a>	Wire-end ferrule, Standard, 12 mm, 10 mm, red	Multipack bag
GTIN (EAN)	4008190902117		
Qty.	500 pc(s).		

## Strip of wire end ferrules



- Linked of wire-end ferrule strips (50 pcs.)
- Weidmüller colour code
- DIN colour code

## General ordering data

Type	H1,5/14 R BD	Version	Packaging
Order No.	<a href="#">9004340000</a>	Wire-end ferrule, Standard, 10 mm, 8 mm, red	Reel
GTIN (EAN)	4008190080723		packaged
Qty.	500 pc(s).		
Type	H1,5/14D SW BD	Version	Packaging
Order No.	<a href="#">9004350000</a>	Wire-end ferrule, Standard, 10 mm, 8 mm, black	Reel
GTIN (EAN)	4008190005474		packaged
Qty.	500 pc(s).		
Type	H1,5/14T SW BD	Version	Packaging
Order No.	<a href="#">9021960000</a>	Wire-end ferrule, Standard, 10 mm, 8 mm, black	Reel
GTIN (EAN)	4008190262389		packaged
Qty.	500 pc(s).		

Creation date March 26, 2022 3:30:49 PM CET

Catalogue status 11.03.2022 / We reserve the right to make technical changes.

## PZ 4

**Weidmüller Interface GmbH & Co. KG**  
 Klingenbergstraße 26  
 D-32758 Detmold  
 Germany

www.weidmueller.com

# Accessories

### Strip of wire end ferrules on reel



- Linked wire-end ferrules on reel (5,000 pcs.)
- DIN colour code
- other colour code

#### General ordering data

Type	H2,5/14D BL BD GSP	Version	Packaging
Order No.	<a href="#">9005850000</a>	Wire-end ferrule, Standard, 10 mm, 8 mm, blue	Reel
GTIN (EAN)	4008190275914		
Qty.	3,000 pc(s).		
Type	H2,5/14T GR BD GSP	Version	Packaging
Order No.	<a href="#">9005910000</a>	Wire-end ferrule, Standard, 10 mm, 8 mm, grey	Reel
GTIN (EAN)	4008190275976		
Qty.	3,000 pc(s).		

### supplied loose in polybag



- supplied loose in polybag
- Weidmüller colour code

#### General ordering data

Type	H2,5/24 XS BL	Version	Packaging
Order No.	<a href="#">9202880000</a>	Wire-end ferrule, Standard, 18 mm, 14.5 mm, blue	loose
GTIN (EAN)	4032248517954		
Qty.	100 pc(s).		



## PZ 4

**Weidmüller Interface GmbH & Co. KG**  
 Klingenbergstraße 26  
 D-32758 Detmold  
 Germany

www.weidmueller.com

## Accessories

## Multi-bag



- in multi-pack bag (5 x 100 pcs.)
- Weidmüller colour code
- DIN colour code

## General ordering data

Type	H1,5/16D ZH SW SV	Version	Packaging
Order No.	<a href="#">9004420000</a>	Wire-end ferrule, Twin wire-end ferrule, 11 mm, 8 mm, black	Multipack bag
GTIN (EAN)	4008190167455		
Qty.	500 pc(s).		
Type	H1,5/20 ZH R SV	Version	Packaging
Order No.	<a href="#">9004920000</a>	Wire-end ferrule, Twin wire-end ferrule, 15 mm, 12 mm, red	Multipack bag
GTIN (EAN)	4008190482695		
Qty.	500 pc(s).		
Type	H1,5/20D SW ZH SV	Version	Packaging
Order No.	<a href="#">9004750000</a>	Wire-end ferrule, Twin wire-end ferrule, 15 mm, 12 mm, black	Multipack bag
GTIN (EAN)	4008190055431		
Qty.	500 pc(s).		
Type	H1,5/16 ZH R SV	Version	Packaging
Order No.	<a href="#">9004410000</a>	Wire-end ferrule, Twin wire-end ferrule, 11 mm, 8 mm, red	Multipack bag
GTIN (EAN)	4008190009397		
Qty.	500 pc(s).		

## Replacement parts



After stripping the insulation, a suitable contact or wire end ferrule can be crimped onto the end of the cable. Crimping forms a secure connection between conductor and contact and has largely replaced soldering. Crimping denotes the creation of a homogeneous, permanent connection between conductor and connecting element. The connection can be made only with high-quality precision tools. The result is a secure and reliable connection both in mechanical and electrical terms. Weidmüller offers a wide range of mechanical crimping tools. Integral ratchets with release mechanisms guarantee optimum crimping. Crimped connections made with Weidmüller tools comply with international standards and regulations.

## General ordering data

Type	ERTE GRIFFE PZ	Version	
Order No.	<a href="#">9202810000</a>	Pressing tool, Replacement part	
GTIN (EAN)	4032248512577		
Qty.	1 pc(s).		

## PZ 4

**Weidmüller Interface GmbH & Co. KG**  
 Klingenbergstraße 26  
 D-32758 Detmold  
 Germany

www.weidmueller.com

## Accessories

## Assortment of wire end ferrules with plastic collar



Box filled with wire end ferrules with plastic collar:

- in Weidmüller colour code
- DIN colour code

## General ordering data

Type	H-BOX 0,5-2,5QMM DIN	Version	Packaging
Order No.	<a href="#">9025430000</a>	Assortment of wire end ferrules, Box, Colour code: DIN	Box
GTIN (EAN)	4008190337162		
Qty.	1 pc(s).		
Type	H-BOX 4,0-16,0QMM	Version	Packaging
Order No.	<a href="#">9025920000</a>	Assortment of wire end ferrules, Box, Colour code: Weidmüller	Box
GTIN (EAN)	4008190101442		
Qty.	1 pc(s).		
Type	H-BOX 0,14-0,75QMM	Version	Packaging
Order No.	<a href="#">9025410000</a>	Assortment of wire end ferrules, Box, Colour code: Weidmüller	Box
GTIN (EAN)	4008190341602		
Qty.	1 pc(s).		
Type	H-BOX 0,5-2,5QMM	Version	Packaging
Order No.	<a href="#">9025900000</a>	Assortment of wire end ferrules, Box, Colour code: Weidmüller	Box
GTIN (EAN)	4008190109202		
Qty.	1 pc(s).		
Type	H-BOX 4,0-16,0QMM DIN	Version	Packaging
Order No.	<a href="#">9025400000</a>	Assortment of wire end ferrules, Box, Colour code: DIN	Box
GTIN (EAN)	4008190341596		
Qty.	1 pc(s).		

## packed loose in polythene bag



- supplied loose in polybag
- Weidmüller colour code
- DIN colour code

## General ordering data

Type	H0,5/16 OR	Version	Packaging
Order No.	<a href="#">9025870000</a>	Wire-end ferrule, Standard, 12 mm, 10 mm, orange	loose
GTIN (EAN)	4008190025045		
Qty.	500 pc(s).		

Creation date March 26, 2022 3:30:49 PM CET

Catalogue status 11.03.2022 / We reserve the right to make technical changes.

18

## PZ 4

**Weidmüller Interface GmbH & Co. KG**  
 Klingenbergstraße 26  
 D-32758 Detmold  
 Germany

www.weidmueller.com

## Accessories

Type	H0,5/12D W	Version	Packaging
Order No.	<a href="#">9019000000</a>	Wire-end ferrule, Standard, 8 mm, 6 mm, white	loose
GTIN (EAN)	4008190085728		
Qty.	500 pc(s).		
Type	H0,5/14 OR	Version	Packaging
Order No.	<a href="#">0690700000</a>	Wire-end ferrule, Standard, 10 mm, 8 mm, orange	loose
GTIN (EAN)	4008190015770		
Qty.	500 pc(s).		
Type	H0,5/14D W	Version	Packaging
Order No.	<a href="#">9019010000</a>	Wire-end ferrule, Standard, 10 mm, 8 mm, white	loose
GTIN (EAN)	4008190120931		
Qty.	500 pc(s).		
Type	H0,5/16D W	Version	Packaging
Order No.	<a href="#">9019020000</a>	Wire-end ferrule, Standard, 12 mm, 10 mm, white	loose
GTIN (EAN)	4008190047108		
Qty.	500 pc(s).		
Type	H0,5/18D W	Version	Packaging
Order No.	<a href="#">1076990000</a>	Wire-end ferrule, Standard, 14 mm, 12 mm, white	loose
GTIN (EAN)	4032248834624		
Qty.	500 pc(s).		
Type	H0,5/12 OR	Version	Packaging
Order No.	<a href="#">0409500000</a>	Wire-end ferrule, Standard, 8 mm, 6 mm, orange	loose
GTIN (EAN)	4008190090456		
Qty.	500 pc(s).		
Type	H0,5/18 OR	Version	Packaging
Order No.	<a href="#">1076980000</a>	Wire-end ferrule, Standard, 14 mm, 12 mm, orange	loose
GTIN (EAN)	4032248834631		
Qty.	500 pc(s).		

## Multi-bag



- in multi-pack bag (5 x 100 pcs.)
- Weidmüller colour code
- DIN colour code

## General ordering data

Type	H0,5/14D W SV	Version	Packaging
Order No.	<a href="#">9019400000</a>	Wire-end ferrule, Standard, 10 mm, 8 mm, white	Multipack bag
GTIN (EAN)	4008190066024		
Qty.	500 pc(s).		
Type	H0,5/14 OR SV	Version	Packaging
Order No.	<a href="#">9026060000</a>	Wire-end ferrule, Standard, 10 mm, 8 mm, orange	Multipack bag
GTIN (EAN)	4008190122201		
Qty.	500 pc(s).		

Creation date March 26, 2022 3:30:49 PM CET

Catalogue status 11.03.2022 / We reserve the right to make technical changes.

## PZ 4

Weidmüller Interface GmbH &amp; Co. KG

Klingenbergstraße 26

D-32758 Detmold

Germany

www.weidmueller.com

## Accessories

Type	H0,5/12 OR SV	Version	Packaging
Order No.	<a href="#">9028260000</a>	Wire-end ferrule, Standard, 8 mm, 6 mm, orange	Multipack bag
GTIN (EAN)	4008190902025		
Qty.	500 pc(s).		
Type	H0,5/16 OR SV	Version	Packaging
Order No.	<a href="#">9028270000</a>	Wire-end ferrule, Standard, 12 mm, 10 mm, orange	Multipack bag
GTIN (EAN)	4008190902049		
Qty.	500 pc(s).		

## Multi-bag



- in multipack bag (5 x 100 pcs.)
- Weidmüller colour code
- DIN colour code

## General ordering data

Type	H0,5/14 ZH OR SV	Version	Packaging
Order No.	<a href="#">9004440000</a>	Wire-end ferrule, Twin wire-end ferrule, 11 mm, 8 mm, orange	Multipack bag
GTIN (EAN)	4008190198473		
Qty.	500 pc(s).		
Type	H0,5/14D ZH W SV	Version	Packaging
Order No.	<a href="#">9004780000</a>	Wire-end ferrule, Twin wire-end ferrule, 11 mm, 8 mm, white	Multipack bag
GTIN (EAN)	4008190188481		
Qty.	500 pc(s).		

## in multipack bag



- In multi-pack bag
- Weidmüller colour code

## General ordering data

Type	H1,5/17,5X SW SV	Version	Packaging
Order No.	<a href="#">9006590000</a>	Wire-end ferrule, Standard, 13 mm, 8 mm, black	Multipack bag
GTIN (EAN)	4008190332259		
Qty.	100 pc(s).		

## PZ 4

Weidmüller Interface GmbH &amp; Co. KG

Klingenbergstraße 26

D-32758 Detmold

Germany

www.weidmueller.com

## Accessories

Type	H1,5/19,5X SW SV	Version	Packaging
Order No.	<a href="#">9006630000</a>	Wire-end ferrule, Standard, 15 mm, 10 mm, black	Multipack bag
GTIN (EAN)	4008190332266		
Qty.	100 pc(s).		

## Multi-bag



- in multi-pack bag (5 x 100 pcs.)
- Weidmüller colour code
- DIN colour code
- other colour code

## General ordering data

Type	H1,0/16 GE SV	Version	Packaging
Order No.	<a href="#">9028320000</a>	Wire-end ferrule, Standard, 12 mm, 10 mm, yellow	Multipack bag
GTIN (EAN)	4008190902087		
Qty.	500 pc(s).		
Type	H1,0/18 GE SV	Version	Packaging
Order No.	<a href="#">9028340000</a>	Wire-end ferrule, Standard, 15 mm, 12 mm, yellow	Multipack bag
GTIN (EAN)	4008190902100		
Qty.	500 pc(s).		
Type	H1,0/14 GE SV	Version	Packaging
Order No.	<a href="#">9026080000</a>	Wire-end ferrule, Standard, 10 mm, 8 mm, yellow	Multipack bag
GTIN (EAN)	4008190026158		
Qty.	500 pc(s).		
Type	H1,0/12 GE SV	Version	Packaging
Order No.	<a href="#">9028310000</a>	Wire-end ferrule, Standard, 8 mm, 6 mm, yellow	Multipack bag
GTIN (EAN)	4008190902070		
Qty.	500 pc(s).		
Type	H1,0/14D R SV	Version	Packaging
Order No.	<a href="#">9019420000</a>	Wire-end ferrule, Standard, 10 mm, 8 mm, red	Multipack bag
GTIN (EAN)	4008190189099		
Qty.	500 pc(s).		

## PZ 4

**Weidmüller Interface GmbH & Co. KG**  
 Klingenbergstraße 26  
 D-32758 Detmold  
 Germany

www.weidmueller.com

## Accessories

## Strip of wire end ferrules



- Linked of wire-end ferrule strips (50 pcs.)
- Weidmüller colour code
- DIN colour code
- other colour code

## General ordering data

Type	H0,75/14 W BD	Version	Packaging
Order No.	<a href="#">9004290000</a>	Wire-end ferrule, Standard, 10 mm, 8 mm, white	Reel
GTIN (EAN)	4008190006778		packaged
Qty.	500 pc(s).		
Type	H0,75/14D GR BD	Version	Packaging
Order No.	<a href="#">9004300000</a>	Wire-end ferrule, Standard, 10 mm, 8 mm, grey	Reel
GTIN (EAN)	4008190154837		packaged
Qty.	500 pc(s).		
Type	H0,75/14T HBL BD	Version	Packaging
Order No.	<a href="#">9004310000</a>	Wire-end ferrule, Standard, 10 mm, 8 mm, Light Blue	Reel
GTIN (EAN)	4008190179298		packaged
Qty.	500 pc(s).		

## Multi-bag



- Polypropylene conical cable entry funnel
- Heat-resistant up to 105°C

For conductors from 0.5 – 10.0 mm<sup>2</sup> (AWG 20-7)  
 Material: E-Cu, tin galvanised  
 Dimensional tolerance acc. to DIN 46228 sect. 4

## General ordering data

Type	H1,5/14S R SV	Version	Packaging
Order No.	<a href="#">9025720000</a>	Wire-end ferrule, Standard, 10 mm, 8 mm, red	Multipack bag
GTIN (EAN)	4008190072681		bag
Qty.	500 pc(s).		

## PZ 4

**Weidmüller Interface GmbH & Co. KG**  
 Klingenbergstraße 26  
 D-32758 Detmold  
 Germany

www.weidmueller.com

## Accessories

## Assortment of twin wire end ferrules



Box filled with twin wire end ferrules with plastic collar:  
 • in Weidmüller colour code

## General ordering data

Type	ZH-BOX 0,5-2,5QMM	Version	Packaging
Order No.	<a href="#">9025390000</a>	Assortment of wire end ferrules, Box, Colour code: Weidmüller	Box
GTIN (EAN)	4008190341015		
Qty.	1 pc(s).		

## Strip of wire end ferrules



- Linked of wire-end ferrule strips (50 pcs.)
- Weidmüller colour code
- DIN colour code
- other colour code

## General ordering data

Type	H1,0/14D R BD	Version	Packaging
Order No.	<a href="#">9004330000</a>	Wire-end ferrule, Standard, 10 mm, 8 mm, red	Reel packaged
GTIN (EAN)	4008190047498		
Qty.	500 pc(s).		
Type	H1,0/14T R BD	Version	Packaging
Order No.	<a href="#">9021950000</a>	Wire-end ferrule, Standard, 10 mm, 8 mm, red	Reel packaged
GTIN (EAN)	4008190262747		
Qty.	500 pc(s).		
Type	H1,0/14 GE BD	Version	Packaging
Order No.	<a href="#">9004320000</a>	Wire-end ferrule, Standard, 10 mm, 8 mm, yellow	Reel packaged
GTIN (EAN)	4008190167523		
Qty.	500 pc(s).		

## PZ 4

**Weidmüller Interface GmbH & Co. KG**  
 Klingenbergstraße 26  
 D-32758 Detmold  
 Germany

www.weidmueller.com

# Accessories

## Multi-bag



- Polypropylene conical cable entry funnel
- Heat-resistant up to 105°C

For conductors from 0.5 – 10.0 mm<sup>2</sup> (AWG 20-7)  
 Material: E-Cu, tin galvanised  
 Dimensional tolerance acc. to DIN 46228 sect. 4

### General ordering data

Type	H1,0/14S GE SV	Version	Packaging
Order No.	<a href="#">9025710000</a>	Wire-end ferrule, Standard, 10 mm, 8 mm, yellow	Multipack bag
GTIN (EAN)	4008190031442		
Qty.	500 pc(s).		
Type	H1,0/15S ZH GE SV	Version	Packaging
Order No.	<a href="#">9018650000</a>	Wire-end ferrule, Twin wire-end ferrule, 12 mm, 8 mm, yellow	Multipack bag
GTIN (EAN)	4032248011407		
Qty.	500 pc(s).		

## packed loose in polythene bag



For the following conductors: 2 No. 0.75 mm<sup>2</sup> (2 No. AWG 18)

- supplied loose in poly-bag
- Weidmüller colour code
- DIN colour code
- other colour code

### General ordering data

Type	H0,75/16 ZH W	Version	Packaging
Order No.	<a href="#">9037240000</a>	Wire-end ferrule, Twin wire-end ferrule, 13 mm, 10 mm, white	loose
GTIN (EAN)	4008190492717		
Qty.	500 pc(s).		
Type	H0,75/24T ZH HBL	Version	Packaging
Order No.	<a href="#">9037630000</a>	Wire-end ferrule, Twin wire-end ferrule, 21 mm, 18 mm, Light Blue	loose
GTIN (EAN)	4008190493271		
Qty.	500 pc(s).		
Type	H0,75/24D ZH GR	Version	Packaging
Order No.	<a href="#">9037430000</a>	Wire-end ferrule, Twin wire-end ferrule, 21 mm, 18 mm, grey	loose
GTIN (EAN)	4008190493004		
Qty.	500 pc(s).		
Type	H0,75/16T ZH HBL	Version	Packaging
Order No.	<a href="#">9037620000</a>	Wire-end ferrule, Twin wire-end ferrule, 13 mm, 10 mm, Light Blue	loose
GTIN (EAN)	4008190493264		
Qty.	500 pc(s).		



## PZ 4

**Weidmüller Interface GmbH & Co. KG**  
 Klingenbergstraße 26  
 D-32758 Detmold  
 Germany

www.weidmueller.com

## Accessories

Type	H0,75/14 ZH W	Version	Packaging
Order No.	<a href="#">9037230000</a>	Wire-end ferrule, Twin wire-end ferrule, 11 mm, 8 mm, white	loose
GTIN (EAN)	4008190853976		
Qty.	500 pc(s).		
Type	H0,75/16D ZH GR	Version	Packaging
Order No.	<a href="#">9037420000</a>	Wire-end ferrule, Twin wire-end ferrule, 13 mm, 10 mm, grey	loose
GTIN (EAN)	4008190492991		
Qty.	500 pc(s).		
Type	H0,75/24 ZH W	Version	Packaging
Order No.	<a href="#">9037250000</a>	Wire-end ferrule, Twin wire-end ferrule, 21 mm, 18 mm, white	loose
GTIN (EAN)	4008190492724		
Qty.	500 pc(s).		
Type	H0,75/14T ZH HBL	Version	Packaging
Order No.	<a href="#">9037610000</a>	Wire-end ferrule, Twin wire-end ferrule, 11 mm, 8 mm, Light Blue	loose
GTIN (EAN)	4008190493233		
Qty.	500 pc(s).		
Type	H0,75/14D ZH GR	Version	Packaging
Order No.	<a href="#">9037410000</a>	Wire-end ferrule, Twin wire-end ferrule, 11 mm, 8 mm, grey	loose
GTIN (EAN)	4008190492984		
Qty.	500 pc(s).		

## Multi-bag



- in multi-pack bag (5 x 100 pcs.)
- Weidmüller colour code
- DIN colour code
- other colour code

## General ordering data

Type	H2,5/15 BL SV	Version	Packaging
Order No.	<a href="#">9026100000</a>	Wire-end ferrule, Standard, 10 mm, 8 mm, blue	Multipack bag
GTIN (EAN)	4008190141141		
Qty.	500 pc(s).		
Type	H2,5/14S BL SV	Version	Packaging
Order No.	<a href="#">9046230000</a>	Wire-end ferrule, Standard, 10 mm, 8 mm, blue	Multipack bag
GTIN (EAN)	4032248298631		
Qty.	500 pc(s).		
Type	H2,5/15T GR SV	Version	Packaging
Order No.	<a href="#">9021240000</a>	Wire-end ferrule, Standard, 10 mm, 8 mm, grey	Multipack bag
GTIN (EAN)	4008190115302		
Qty.	500 pc(s).		

## PZ 4

**Weidmüller Interface GmbH & Co. KG**  
 Klingenbergstraße 26  
 D-32758 Detmold  
 Germany

www.weidmueller.com

# Accessories

### supplied loose in polybag



- Polypropylene conical cable entry funnel
- Heat-resistant up to 105°C

For conductors from 0.5 – 10.0 mm<sup>2</sup> (AWG 20-7)  
 Material: E-Cu, tin galvanised  
 Dimensional tolerance acc. to DIN 46228 sect. 4

### General ordering data

Type	H4,0/14DS GR	Version	Packaging
Order No.	<a href="#">9028520000</a>	Wire-end ferrule, Standard, 10 mm, 8 mm, grey	loose
GTIN (EAN)	4032248049035		
Qty.	500 pc(s).		
Type	H4,0/20DS GR	Version	Packaging
Order No.	<a href="#">9203630000</a>	Wire-end ferrule, Standard, 15 mm, 12 mm, grey	loose
GTIN (EAN)	4032248565078		
Qty.	500 pc(s).		
Type	H4,0/15TS OR	Version	Packaging
Order No.	<a href="#">9036230000</a>	Wire-end ferrule, Standard, 10 mm, 8 mm, orange	loose
GTIN (EAN)	4032248068029		
Qty.	500 pc(s).		

### packed loose in polythene bag



- supplied loose in polybag
- DIN colour code
- other colour code

### General ordering data

Type	H2,5/19T GR	Version	Packaging
Order No.	<a href="#">9021080000</a>	Wire-end ferrule, Standard, 14 mm, 12 mm, grey	loose
GTIN (EAN)	4008190149345		
Qty.	500 pc(s).		
Type	H2,5/25D BL	Version	Packaging
Order No.	<a href="#">9019180000</a>	Wire-end ferrule, Standard, 20 mm, 18 mm, blue	loose
GTIN (EAN)	4008190101145		
Qty.	500 pc(s).		
Type	H2,5/15D BL	Version	Packaging
Order No.	<a href="#">9019160000</a>	Wire-end ferrule, Standard, 10 mm, 8 mm, blue	loose
GTIN (EAN)	4008190028732		
Qty.	500 pc(s).		

## PZ 4

**Weidmüller Interface GmbH & Co. KG**  
 Klingenbergstraße 26  
 D-32758 Detmold  
 Germany

www.weidmueller.com

## Accessories

Type	H2,5/19D BL	Version	Packaging
Order No.	<a href="#">9019170000</a>	Wire-end ferrule, Standard, 14 mm, 12 mm, blue	loose
GTIN (EAN)	4008190178024		
Qty.	500 pc(s).		
Type	H2,5/15T GR	Version	Packaging
Order No.	<a href="#">9021070000</a>	Wire-end ferrule, Standard, 10 mm, 8 mm, grey	loose
GTIN (EAN)	4008190128944		
Qty.	500 pc(s).		
Type	H2,5/25T GR	Version	Packaging
Order No.	<a href="#">9021090000</a>	Wire-end ferrule, Standard, 20 mm, 18 mm, grey	loose
GTIN (EAN)	4008190060916		
Qty.	500 pc(s).		

## supplied loose in polybag

- In multi-pack bag
- Weidmüller colour code



## General ordering data

Type	H1,5/24 XS SW	Version	Packaging
Order No.	<a href="#">9202870000</a>	Wire-end ferrule, Standard, 18 mm, 14.5 mm, black	loose
GTIN (EAN)	4032248517947		
Qty.	100 pc(s).		

## Multi-bag

- in multi-pack bag (5 x 100 pcs.)
- DIN colour code
- other colour code



## General ordering data

Type	H2,5/19T ZH GR SV	Version	Packaging
Order No.	<a href="#">9018580000</a>	Wire-end ferrule, Twin wire-end ferrule, 13 mm, 10 mm, grey	Multipack bag
GTIN (EAN)	4008190272647		
Qty.	250 pc(s).		
Type	H2,5/21 ZH GR SV	Version	Packaging
Order No.	<a href="#">9005150000</a>	Wire-end ferrule, Twin wire-end ferrule, 15 mm, 12 mm, grey	Multipack bag
GTIN (EAN)	4008190482732		
Qty.	250 pc(s).		

Creation date March 26, 2022 3:30:49 PM CET

## PZ 4

**Weidmüller Interface GmbH & Co. KG**  
 Klingenbergstraße 26  
 D-32758 Detmold  
 Germany

www.weidmueller.com

## Accessories

Type	H2,5/19D ZH BL SV	Version	Packaging
Order No.	<a href="#">9004430000</a>	Wire-end ferrule, Twin wire-end ferrule, 13 mm, 10 mm, blue	Multipack bag
GTIN (EAN)	4008190099367		
Qty.	250 pc(s).		
Type	H2,5/21D ZH BL SV	Version	Packaging
Order No.	<a href="#">9004740000</a>	Wire-end ferrule, Twin wire-end ferrule, 15 mm, 12 mm, blue	Multipack bag
GTIN (EAN)	4008190031923		
Qty.	250 pc(s).		

Nominal conductor cross-section 0.25 mm<sup>2</sup> - 6.0 mm<sup>2</sup>

For conductors from 0.25 to 6,0 mm<sup>2</sup> (AWG 24 - 10)  
 tin-plated copper  
 dimensional tolerances to DIN 46228 part 1  
 • supplied loose in polybag

## General ordering data

Type	H1,5/10	Version	Packaging
Order No.	<a href="#">0186500000</a>	Wire-end ferrule, Standard, 10 mm, 10 mm, No	loose
GTIN (EAN)	4008190039592		
Qty.	1,000 pc(s).		
Type	H1,0/6	Version	Packaging
Order No.	<a href="#">0372600000</a>	Wire-end ferrule, Standard, 6 mm, 6 mm, No	loose
GTIN (EAN)	4008190180263		
Qty.	1,000 pc(s).		
Type	H1,5/18	Version	Packaging
Order No.	<a href="#">9004070000</a>	Wire-end ferrule, Standard, 18 mm, 18 mm, No	loose
GTIN (EAN)	4008190105761		
Qty.	1,000 pc(s).		
Type	H0,75/10	Version	Packaging
Order No.	<a href="#">0542500000</a>	Wire-end ferrule, Standard, 10 mm, 10 mm, No	loose
GTIN (EAN)	4008190037482		
Qty.	1,000 pc(s).		
Type	H1,5/7	Version	Packaging
Order No.	<a href="#">0372700000</a>	Wire-end ferrule, Standard, 7 mm, 7 mm, No	loose
GTIN (EAN)	4008190064525		
Qty.	1,000 pc(s).		
Type	H1,0/10	Version	Packaging
Order No.	<a href="#">0282800000</a>	Wire-end ferrule, Standard, 10 mm, 10 mm, No	loose
GTIN (EAN)	4008190006662		
Qty.	1,000 pc(s).		
Type	H1,5/12	Version	Packaging
Order No.	<a href="#">9004060000</a>	Wire-end ferrule, Standard, 12 mm, 12 mm, No	loose
GTIN (EAN)	4008190147938		
Qty.	1,000 pc(s).		

Creation date March 26, 2022 3:30:49 PM CET

## PZ 4

Weidmüller Interface GmbH &amp; Co. KG

Klingenbergstraße 26

D-32758 Detmold

Germany

www.weidmueller.com

## Accessories

Type	H0,5/6	Version	Packaging
Order No.	<a href="#">0282600000</a>	Wire-end ferrule, Standard, 6 mm, 6 mm, No	loose
GTIN (EAN)	4008190184025		
Qty.	1,000 pc(s).		
Type	H2,5/7	Version	Packaging
Order No.	<a href="#">0373000000</a>	Wire-end ferrule, Standard, 7 mm, 7 mm, No	loose
GTIN (EAN)	4008190173463		
Qty.	1,000 pc(s).		
Type	H4,0/12	Version	Packaging
Order No.	<a href="#">0244100000</a>	Wire-end ferrule, Standard, 12 mm, 12 mm, No	loose
GTIN (EAN)	4008190179830		
Qty.	1,000 pc(s).		
Type	H2,5/12	Version	Packaging
Order No.	<a href="#">0186100000</a>	Wire-end ferrule, Standard, 12 mm, 12 mm, No	loose
GTIN (EAN)	4008190172954		
Qty.	1,000 pc(s).		
Type	H2,5/18	Version	Packaging
Order No.	<a href="#">9004090000</a>	Wire-end ferrule, Standard, 18 mm, 18 mm, No	loose
GTIN (EAN)	4008190147921		
Qty.	1,000 pc(s).		
Type	H4,0/18	Version	Packaging
Order No.	<a href="#">9004110000</a>	Wire-end ferrule, Standard, 18 mm, 18 mm, No	loose
GTIN (EAN)	4008190148348		
Qty.	500 pc(s).		
Type	H4,0/15	Version	Packaging
Order No.	<a href="#">9004100000</a>	Wire-end ferrule, Standard, 15 mm, 15 mm, No	loose
GTIN (EAN)	4008190119003		
Qty.	500 pc(s).		
Type	H0,75/6	Version	Packaging
Order No.	<a href="#">0282700000</a>	Wire-end ferrule, Standard, 6 mm, 6 mm, No	loose
GTIN (EAN)	4008190019013		
Qty.	1,000 pc(s).		
Type	H4,0/9	Version	Packaging
Order No.	<a href="#">0373100000</a>	Wire-end ferrule, Standard, 9 mm, 9 mm, No	loose
GTIN (EAN)	4008190164669		
Qty.	500 pc(s).		
Type	H0,5/10	Version	Packaging
Order No.	<a href="#">9004050000</a>	Wire-end ferrule, Standard, 10 mm, 10 mm, No	loose
GTIN (EAN)	4008190153052		
Qty.	1,000 pc(s).		
Type	H2,5/10	Version	Packaging
Order No.	<a href="#">9004080000</a>	Wire-end ferrule, Standard, 10 mm, 10 mm, No	loose
GTIN (EAN)	4008190145446		
Qty.	1,000 pc(s).		

**PZ 4**

**Weidmüller Interface GmbH & Co. KG**  
 Klingenbergstraße 26  
 D-32758 Detmold  
 Germany

www.weidmueller.com

**Accessories**

**Multi-bag**



- Polypropylene conical cable entry funnel
- Heat-resistant up to 105°C

For conductors from 0.5 – 10.0 mm<sup>2</sup> (AWG 20-7)  
 Material: E-Cu, tin galvanised  
 Dimensional tolerance acc. to DIN 46228 sect. 4

**General ordering data**

Type	H0,75/14S W SV	Version	Packaging
Order No.	<a href="#">9025700000</a>	Wire-end ferrule, Standard, 10 mm, 8 mm, white	Multipack bag
GTIN (EAN)	4008190144104		
Qty.	500 pc(s).		

**supplied loose in polybag**



- supplied loose in poly-bag
- Weidmüller colour code
- DIN colour code
- other colour code

**General ordering data**

Type	H0,5/16 DS W	Version	Packaging
Order No.	<a href="#">9202910000</a>	Wire-end ferrule, Standard, 12 mm, 10 mm, white	loose
GTIN (EAN)	4032248519019		
Qty.	500 pc(s).		
Type	H0,5/14S OR	Version	Packaging
Order No.	<a href="#">9004560000</a>	Wire-end ferrule, Standard, 10 mm, 8 mm, orange	loose
GTIN (EAN)	4008190286132		
Qty.	500 pc(s).		
Type	H0,5/14S W	Version	Packaging
Order No.	<a href="#">9004590000</a>	Wire-end ferrule, Standard, 10 mm, 8 mm, white	loose
GTIN (EAN)	4008190862060		
Qty.	500 pc(s).		
Type	H0,5/16S OR	Version	Packaging
Order No.	<a href="#">9202900000</a>	Wire-end ferrule, Standard, 12 mm, 10 mm, orange	loose
GTIN (EAN)	4032248519026		
Qty.	500 pc(s).		

## PZ 4

**Weidmüller Interface GmbH & Co. KG**  
 Klingenbergstraße 26  
 D-32758 Detmold  
 Germany

www.weidmueller.com

## Accessories

## packed loose in polythene bag



- supplied loose in polybag
- Weidmüller colour code
- DIN colour code
- other colour code

## General ordering data

Type	H0,75/18 W	Version	Packaging
Order No.	<a href="#">9025910000</a>	Wire-end ferrule, Standard, 14 mm, 12 mm, white	loose
GTIN (EAN)	4008190063702		
Qty.	500 pc(s).		
Type	H0,75/16 W	Version	Packaging
Order No.	<a href="#">9025860000</a>	Wire-end ferrule, Standard, 12 mm, 10 mm, white	loose
GTIN (EAN)	4008190141967		
Qty.	500 pc(s).		
Type	H0,75/16T HBL	Version	Packaging
Order No.	<a href="#">9021050000</a>	Wire-end ferrule, Standard, 12 mm, 10 mm, Light Blue	loose
GTIN (EAN)	4008190096175		
Qty.	500 pc(s).		
Type	H0,75/12T HBL	Version	Packaging
Order No.	<a href="#">9021030000</a>	Wire-end ferrule, Standard, 8 mm, 6 mm, Light Blue	loose
GTIN (EAN)	4008190152901		
Qty.	500 pc(s).		
Type	H0,75/16D GR	Version	Packaging
Order No.	<a href="#">9019050000</a>	Wire-end ferrule, Standard, 12 mm, 10 mm, grey	loose
GTIN (EAN)	4008190033002		
Qty.	500 pc(s).		
Type	H0,75/18T HBL	Version	Packaging
Order No.	<a href="#">9021060000</a>	Wire-end ferrule, Standard, 14 mm, 12 mm, Light Blue	loose
GTIN (EAN)	4008190071158		
Qty.	500 pc(s).		
Type	H0,75/12 W	Version	Packaging
Order No.	<a href="#">0409600000</a>	Wire-end ferrule, Standard, 8 mm, 6 mm, white	loose
GTIN (EAN)	4008190079826		
Qty.	500 pc(s).		
Type	H0,75/18D GR	Version	Packaging
Order No.	<a href="#">9019060000</a>	Wire-end ferrule, Standard, 14 mm, 12 mm, grey	loose
GTIN (EAN)	4008190049560		
Qty.	500 pc(s).		
Type	H0,75/14 W	Version	Packaging
Order No.	<a href="#">0462900000</a>	Wire-end ferrule, Standard, 10 mm, 8 mm, white	loose
GTIN (EAN)	4008190033248		
Qty.	500 pc(s).		
Type	H0,75/12D GR	Version	Packaging
Order No.	<a href="#">9019030000</a>	Wire-end ferrule, Standard, 8 mm, 6 mm, grey	loose
GTIN (EAN)	4008190127787		
Qty.	500 pc(s).		

Creation date March 26, 2022 3:30:49 PM CET

## PZ 4

Weidmüller Interface GmbH &amp; Co. KG

Klingenbergstraße 26

D-32758 Detmold

Germany

www.weidmueller.com

## Accessories

Type	H0,75/14T HBL	Version	Packaging
Order No.	<a href="#">9021040000</a>	Wire-end ferrule, Standard, 10 mm, 8 mm, Light Blue	loose
GTIN (EAN)	4008190083168		
Qty.	500 pc(s).		
Type	H0,75/14D GR	Version	Packaging
Order No.	<a href="#">9019040000</a>	Wire-end ferrule, Standard, 10 mm, 8 mm, grey	loose
GTIN (EAN)	4008190099077		
Qty.	500 pc(s).		

## Strip of wire end ferrules on reel



- Linked wire-end ferrules on reel (5,000 pcs.)
- Weidmüller colour code
- DIN colour code
- other colour code

## General ordering data

Type	H1,0/14D R BD GSP	Version	Packaging
Order No.	<a href="#">9005880000</a>	Wire-end ferrule, Standard, 10 mm, 8 mm, red	Reel
GTIN (EAN)	4008190275945		
Qty.	5,000 pc(s).		
Type	H1,0/14 GE BD GSP	Version	Packaging
Order No.	<a href="#">9005830000</a>	Wire-end ferrule, Standard, 10 mm, 8 mm, yellow	Reel
GTIN (EAN)	4008190275891		
Qty.	5,000 pc(s).		

## packed loose in polythene bag



- supplied loose in poly-bag
- Weidmüller colour code
- DIN colour code

## General ordering data

Type	H1,5/20 ZH R	Version	Packaging
Order No.	<a href="#">9037300000</a>	Wire-end ferrule, Twin wire-end ferrule, 15 mm, 12 mm, red	loose
GTIN (EAN)	4008190492779		
Qty.	500 pc(s).		
Type	H1,5/16D ZH SW	Version	Packaging
Order No.	<a href="#">9037470000</a>	Wire-end ferrule, Twin wire-end ferrule, 11 mm, 8 mm, black	loose
GTIN (EAN)	4008190493042		
Qty.	500 pc(s).		

Creation date March 26, 2022 3:30:49 PM CET

Catalogue status 11.03.2022 / We reserve the right to make technical changes.

32



## PZ 4

**Weidmüller Interface GmbH & Co. KG**  
 Klingenbergstraße 26  
 D-32758 Detmold  
 Germany

www.weidmueller.com

## Accessories

Type	H1,5/26D ZH SW	Version	Packaging
Order No.	<a href="#">9037490000</a>	Wire-end ferrule, Twin wire-end ferrule, 21 mm, 18 mm, black	loose
GTIN (EAN)	4008190493066		
Qty.	100 pc(s).		
Type	H1,5/16 ZH R	Version	Packaging
Order No.	<a href="#">9037290000</a>	Wire-end ferrule, Twin wire-end ferrule, 11 mm, 8 mm, red, Dark Blue	loose
GTIN (EAN)	4008190492762		
Qty.	500 pc(s).		
Type	H1,5/26 ZH R	Version	Packaging
Order No.	<a href="#">9037310000</a>	Wire-end ferrule, Twin wire-end ferrule, 21 mm, 18 mm, red	loose
GTIN (EAN)	4008190492786		
Qty.	100 pc(s).		
Type	H1,5/20D ZH SW	Version	Packaging
Order No.	<a href="#">9037480000</a>	Wire-end ferrule, Twin wire-end ferrule, 15 mm, 12 mm, black	loose
GTIN (EAN)	4008190493059		
Qty.	500 pc(s).		

## in multipack bag



- Polypropylene conical cable entry
- Heat-resistant up to 105°C

for conductors from 1.5 to 16 mm<sup>2</sup> (AWG 16-6)  
 tin-plated copper  
 dimensional tolerances to DIN 46228 part 4

## General ordering data

Type	H4,0/19,5X GR SV	Version	Packaging
Order No.	<a href="#">9006750000</a>	Wire-end ferrule, Standard, 14 mm, 10 mm, grey	Multipack bag
GTIN (EAN)	4008190332297		bag
Qty.	100 pc(s).		

## packed loose in polythene bag



- supplied loose in poly-bag
- Weidmüller colour code
- DIN colour code

## General ordering data

Type	H1,5/14 R	Version	Packaging
Order No.	<a href="#">0463100000</a>	Wire-end ferrule, Standard, 10 mm, 8 mm, red	loose
GTIN (EAN)	4008190065089		
Qty.	500 pc(s).		

Creation date March 26, 2022 3:30:49 PM CET

## PZ 4

**Weidmüller Interface GmbH & Co. KG**  
 Klingenbergstraße 26  
 D-32758 Detmold  
 Germany

www.weidmueller.com

## Accessories

Type	H1,5/16 R	Version	Packaging
Order No.	<a href="#">063510000</a>	Wire-end ferrule, Standard, 12 mm, 10 mm, red	loose
GTIN (EAN)	4008190141745		
Qty.	500 pc(s).		
Type	H1,5/18D SW	Version	Packaging
Order No.	<a href="#">901914000</a>	Wire-end ferrule, Standard, 15 mm, 12 mm, black	loose
GTIN (EAN)	4008190046026		
Qty.	500 pc(s).		
Type	H1,5/24D SW	Version	Packaging
Order No.	<a href="#">901915000</a>	Wire-end ferrule, Standard, 20 mm, 18 mm, black	loose
GTIN (EAN)	4008190151676		
Qty.	500 pc(s).		
Type	H1,5/24 R	Version	Packaging
Order No.	<a href="#">056560000</a>	Wire-end ferrule, Standard, 20 mm, 18 mm, red	loose
GTIN (EAN)	4008190187071		
Qty.	500 pc(s).		
Type	H1,5/14D SW	Version	Packaging
Order No.	<a href="#">901912000</a>	Wire-end ferrule, Standard, 10 mm, 8 mm, black	loose
GTIN (EAN)	4008190153793		
Qty.	500 pc(s).		
Type	H1,5/16D SW	Version	Packaging
Order No.	<a href="#">901913000</a>	Wire-end ferrule, Standard, 12 mm, 10 mm, black	loose
GTIN (EAN)	4008190023331		
Qty.	500 pc(s).		

## packed loose in polythene bag



- supplied loose in poly-bag
- DIN colour code
- other colour code

## General ordering data

Type	H2,5/21D ZH BL	Version	Packaging
Order No.	<a href="#">903751000</a>	Wire-end ferrule, Twin wire-end ferrule, 15 mm, 12 mm, blue	loose
GTIN (EAN)	4008190493080		
Qty.	100 pc(s).		
Type	H2,5/27D ZH BL	Version	Packaging
Order No.	<a href="#">903752000</a>	Wire-end ferrule, Twin wire-end ferrule, 21 mm, 18 mm, blue	loose
GTIN (EAN)	4008190493097		
Qty.	100 pc(s).		
Type	H2,5/19D ZH BL	Version	Packaging
Order No.	<a href="#">903750000</a>	Wire-end ferrule, Twin wire-end ferrule, 13 mm, 10 mm, blue	loose
GTIN (EAN)	4008190493073		
Qty.	500 pc(s).		

Creation date March 26, 2022 3:30:49 PM CET

## PZ 4

**Weidmüller Interface GmbH & Co. KG**  
 Klingenbergstraße 26  
 D-32758 Detmold  
 Germany

www.weidmueller.com

## Accessories

Type	H2,5/19T ZH GR	Version	Packaging
Order No.	<a href="#">9037640000</a>	Wire-end ferrule, Twin wire-end ferrule, 13 mm, 10 mm, grey	loose
GTIN (EAN)	4008190493325		
Qty.	500 pc(s).		
Type	H2,5/21T ZH GR	Version	Packaging
Order No.	<a href="#">9037650000</a>	Wire-end ferrule, Twin wire-end ferrule, 15 mm, 12 mm, grey	loose
GTIN (EAN)	4008190493356		
Qty.	100 pc(s).		
Type	H2,5/27T ZH GR	Version	Packaging
Order No.	<a href="#">9037660000</a>	Wire-end ferrule, Twin wire-end ferrule, 21 mm, 18 mm, grey	loose
GTIN (EAN)	4008190493387		
Qty.	100 pc(s).		

### Multi-bag



- In multi-pack bag
- Weidmüller colour code
- Other colour code

### General ordering data

Type	H4,0/18T OR SV	Version	Packaging
Order No.	<a href="#">9021250000</a>	Wire-end ferrule, Standard, 12 mm, 10 mm, orange	Multipack bag
GTIN (EAN)	4008190159313		
Qty.	250 pc(s).		
Type	H4,0/18 GR SV	Version	Packaging
Order No.	<a href="#">9026010000</a>	Wire-end ferrule, Standard, 12 mm, 10 mm, grey	Multipack bag
GTIN (EAN)	4008190117382		
Qty.	250 pc(s).		

### Multi-bag



- in multi-pack bag (5 x 100 pcs.)
- Weidmüller colour code
- DIN colour code
- other colour code

### General ordering data

Type	H0,75/18 W SV	Version	Packaging
Order No.	<a href="#">9028300000</a>	Wire-end ferrule, Standard, 14 mm, 12 mm, white	Multipack bag
GTIN (EAN)	4008190902063		
Qty.	500 pc(s).		

Creation date March 26, 2022 3:30:49 PM CET

## PZ 4

**Weidmüller Interface GmbH & Co. KG**  
 Klingenbergstraße 26  
 D-32758 Detmold  
 Germany

www.weidmueller.com

## Accessories

Type	H0,75/14 W SV	Version	Packaging
Order No.	<a href="#">9026070000</a>	Wire-end ferrule, Standard, 10 mm, 8 mm, white	Multipack bag
GTIN (EAN)	4008190187163		
Qty.	500 pc(s).		
Type	H0,75/14T HBL SV	Version	Packaging
Order No.	<a href="#">9021230000</a>	Wire-end ferrule, Standard, 10 mm, 8 mm, Light Blue	Multipack bag
GTIN (EAN)	4008190153106		
Qty.	500 pc(s).		
Type	H0,75/16 W SV	Version	Packaging
Order No.	<a href="#">9028290000</a>	Wire-end ferrule, Standard, 12 mm, 10 mm, white	Multipack bag
GTIN (EAN)	4008190902056		
Qty.	500 pc(s).		
Type	H0,75/14D GR SV	Version	Packaging
Order No.	<a href="#">9019410000</a>	Wire-end ferrule, Standard, 10 mm, 8 mm, grey	Multipack bag
GTIN (EAN)	4008190164096		
Qty.	500 pc(s).		
Type	H0,75/12 W SV	Version	Packaging
Order No.	<a href="#">9028280000</a>	Wire-end ferrule, Standard, 8 mm, 6 mm, white	Multipack bag
GTIN (EAN)	4008190902216		
Qty.	500 pc(s).		

## packed loose in polythene bag



- supplied loose in poly-bag
- DIN colour code
- other colour code

## General ordering data

Type	H4,0/22D ZH GR	Version	Packaging
Order No.	<a href="#">9037530000</a>	Wire-end ferrule, Twin wire-end ferrule, 15 mm, 12 mm, grey	loose
GTIN (EAN)	4008190493103		
Qty.	100 pc(s).		
Type	H4,0/28T ZH OR	Version	Packaging
Order No.	<a href="#">9037680000</a>	Wire-end ferrule, Twin wire-end ferrule, 21 mm, 18 mm, orange	loose
GTIN (EAN)	4008190493479		
Qty.	100 pc(s).		
Type	H4,0/28D ZH GR	Version	Packaging
Order No.	<a href="#">9037540000</a>	Wire-end ferrule, Twin wire-end ferrule, 21 mm, 18 mm, grey	loose
GTIN (EAN)	4008190493110		
Qty.	100 pc(s).		
Type	H4,0/22T ZH OR	Version	Packaging
Order No.	<a href="#">9037670000</a>	Wire-end ferrule, Twin wire-end ferrule, 15 mm, 12 mm, orange	loose
GTIN (EAN)	4008190493431		
Qty.	100 pc(s).		

Creation date March 26, 2022 3:30:49 PM CET

Catalogue status 11.03.2022 / We reserve the right to make technical changes.

## PZ 4

**Weidmüller Interface GmbH & Co. KG**  
 Klingenbergstraße 26  
 D-32758 Detmold  
 Germany

www.weidmueller.com

## Accessories

## Multi-bag



- in multi-pack bag (5 x 100 pcs.)
- Weidmüller colour code
- DIN colour code

## General ordering data

Type	H1,0/15D ZH R SV	Version	Packaging
Order No.	<a href="#">9018540000</a>	Wire-end ferrule, Twin wire-end ferrule, 12 mm, 8 mm, red	Multipack bag
GTIN (EAN)	4008190188832		
Qty.	500 pc(s).		
Type	H1,0/19D ZH R SV	Version	Packaging
Order No.	<a href="#">9004760000</a>	Wire-end ferrule, Twin wire-end ferrule, 16 mm, 12 mm, red	Multipack bag
GTIN (EAN)	4008190160951		
Qty.	500 pc(s).		
Type	H1,0/15 ZH GE SV	Version	Packaging
Order No.	<a href="#">9018530000</a>	Wire-end ferrule, Twin wire-end ferrule, 12 mm, 8 mm, yellow	Multipack bag
GTIN (EAN)	4008190066925		
Qty.	500 pc(s).		
Type	H1,0/19 ZH GE SV	Version	Packaging
Order No.	<a href="#">9004910000</a>	Wire-end ferrule, Twin wire-end ferrule, 16 mm, 12 mm, yellow	Multipack bag
GTIN (EAN)	4008190482688		
Qty.	500 pc(s).		

## packed loose in polythene bag



- supplied loose in poly-bag
- Weidmüller colour code
- DIN colour code

## General ordering data

Type	H1,0/25 ZH GE	Version	Packaging
Order No.	<a href="#">9037280000</a>	Wire-end ferrule, Twin wire-end ferrule, 22 mm, 18 mm, yellow	loose
GTIN (EAN)	4008190492755		
Qty.	500 pc(s).		
Type	H1,0/15 ZH GE	Version	Packaging
Order No.	<a href="#">9037260000</a>	Wire-end ferrule, Twin wire-end ferrule, 11 mm, 8 mm, yellow	loose
GTIN (EAN)	4008190492731		
Qty.	500 pc(s).		

Creation date March 26, 2022 3:30:49 PM CET

## PZ 4

**Weidmüller Interface GmbH & Co. KG**  
 Klingenbergstraße 26  
 D-32758 Detmold  
 Germany

www.weidmueller.com

## Accessories

Type	H1,0/19D ZH R	Version	Packaging
Order No.	<a href="#">9037450000</a>	Wire-end ferrule, Twin wire-end ferrule, 16 mm, 12 mm, red, Dark Blue	loose
GTIN (EAN)	4008190493028		
Qty.	500 pc(s).		
Type	H1,0/25D ZH R	Version	Packaging
Order No.	<a href="#">9037460000</a>	Wire-end ferrule, Twin wire-end ferrule, 22 mm, 18 mm, red, Dark Blue	loose
GTIN (EAN)	4008190493035		
Qty.	500 pc(s).		
Type	H1,0/15D ZH R	Version	Packaging
Order No.	<a href="#">9037440000</a>	Wire-end ferrule, Twin wire-end ferrule, 11 mm, 8 mm, red, Dark Blue	loose
GTIN (EAN)	4008190493011		
Qty.	500 pc(s).		
Type	H1,0/19 ZH GE	Version	Packaging
Order No.	<a href="#">9037270000</a>	Wire-end ferrule, Twin wire-end ferrule, 16 mm, 12 mm, yellow	loose
GTIN (EAN)	4008190492748		
Qty.	500 pc(s).		

## packed loose in polythene bag



- supplied loose in polybag
- DIN colour code
- other colour code

## General ordering data

Type	H4,0/26T OR	Version	Packaging
Order No.	<a href="#">9021120000</a>	Wire-end ferrule, Standard, 20 mm, 18 mm, orange	loose
GTIN (EAN)	4008190092825		
Qty.	100 pc(s).		
Type	H4,0/18D GR	Version	Packaging
Order No.	<a href="#">9019190000</a>	Wire-end ferrule, Standard, 12 mm, 10 mm, grey	loose
GTIN (EAN)	4008190141349		
Qty.	500 pc(s).		
Type	H4,0/20D GR	Version	Packaging
Order No.	<a href="#">9019200000</a>	Wire-end ferrule, Standard, 14 mm, 12 mm, grey	loose
GTIN (EAN)	4008190126575		
Qty.	500 pc(s).		
Type	H4,0/18T OR	Version	Packaging
Order No.	<a href="#">9021100000</a>	Wire-end ferrule, Standard, 12 mm, 10 mm, orange	loose
GTIN (EAN)	4008190061708		
Qty.	500 pc(s).		
Type	H4,0/26D GR	Version	Packaging
Order No.	<a href="#">9019210000</a>	Wire-end ferrule, Standard, 20 mm, 18 mm, grey	loose
GTIN (EAN)	4008190002336		
Qty.	100 pc(s).		

Creation date March 26, 2022 3:30:49 PM CET

**Data sheet****PZ 4**

**Weidmüller Interface GmbH & Co. KG**  
Klingenbergstraße 26  
D-32758 Detmold  
Germany

[www.weidmueller.com](http://www.weidmueller.com)

**Accessories**

Type	H4,0/20T OR	Version	Packaging
Order No.	<a href="#">9021110000</a>	Wire-end ferrule, Standard, 14 mm, 12 mm, orange	loose
GTIN (EAN)	4008190035754		
Qty.	500 pc(s).		

## X-ON Electronics

Largest Supplier of Electrical and Electronic Components

*Click to view similar products for [Crimpers / Crimping Tools](#) category:*

*Click to view products by [Weidmuller](#) manufacturer:*

Other Similar products are found below :

[010-0096](#) [M225201-06](#) [M225202-37](#) [6-1579015-5](#) [CT150-6-RH07](#) [622-6441LF](#) [M322](#) [6-304052-1](#) [63456-0054](#) [63484-3701](#) [63800-8355](#)  
[63819-1875](#) [63819-2875](#) [63819-4475](#) [63823-3475](#) [63827-5375](#) [64001-0975](#) [64001-4175](#) [64005-0175](#) [662903-2](#) [690602-6](#) [7-1579001-9](#) [7-](#)  
[23471-1](#) [762637-1](#) [808714-1](#) [811242-5](#) [999-50-020083](#) [1-21002-3](#) [1-21002-7](#) [12085270](#) [1-21002-6](#) [1-21113-6](#) [1-22548-4](#) [125442-1](#)  
[DCE.91.073.BVC](#) [DCE.91.090.3MVM](#) [DCE.91.130.5MVU](#) [DCE.91.202.BVCM](#) [1338300-1](#) [1-354003-0](#) [1338301-1](#) [DF62/RE-MD](#) [142321](#)  
[1456088-1](#) [1490794-1](#) [1-45804-6](#) [1490357-2](#) [1490357-3](#) [AX100749](#) [1-59619-7](#)