

**PZ 16****Weidmüller Interface GmbH & Co. KG**

Klingenbergstraße 26

D-32758 Detmold

Germany

www.weidmueller.com

**Crimping tools for wire end ferrules, with and without plastic collars**

- Ratchet guarantees precise crimping
- Release option in the event of incorrect operation

**General ordering data**

Version	Pressing tool, Crimping tool for wire-end ferrules, 6mm <sup>2</sup> , 16mm <sup>2</sup> , Indent crimp
Order No.	<a href="#">9012600000</a>
Type	PZ 16
GTIN (EAN)	4008 190035440
Qty.	1 pc(s).
Replacement parts	<a href="#">9012640000</a> <a href="#">9202810000</a>

Creation date March 26, 2022 4:48:31 AM CET

Catalogue status 11.03.2022 / We reserve the right to make technical changes.

## PZ 16

Weidmüller Interface GmbH &amp; Co. KG

Klingenbergstraße 26

D-32758 Detmold

Germany

www.weidmueller.com

## Technical data

## Dimensions and weights

Width	200 mm	Width (inches)	7.874 inch
Weight	418 g	Net weight	429.8 g

## Environmental Product Compliance

REACH SVHC	Lead 7439-92-1
------------	----------------

## Technical data

Description of article	(2)Crimping tool	Version	Mechanical, without interchangeable inserts
------------------------	------------------	---------	---

## Description of contact

Conductor cross-section, max. AWG	AWG 6	Conductor cross-section, min. AWG	AWG 10
Crimping range, max.	16 mm <sup>2</sup>	Crimping range, min.	6 mm <sup>2</sup>
Type of contact	Wire-end ferrules with/without plastic collars		

## tool data crimping

Crimping profile 1, min.	6 mm <sup>2</sup>	Crimping profile 2, min.	10 mm <sup>2</sup>
Crimping profile 3, min.	16 mm <sup>2</sup>	Crimping type/profile	Indent crimp
Wire end ferrules cross-section, max.	16 mm <sup>2</sup>	Wire end ferrules cross-section, min.	6 mm <sup>2</sup>

## Classifications

ETIM 6.0	EC000168	ETIM 7.0	EC000168
ETIM 8.0	EC000168	ECLASS 9.0	21-04-38-11
ECLASS 9.1	21-04-38-11	ECLASS 10.0	21-04-38-11
ECLASS 11.0	21-04-38-11		

## Approvals

Approvals



## Downloads

Engineering Data	<a href="#">CAD data – STEP</a>
Engineering Data	<a href="#">WSCAD</a>
Catalogues	<a href="#">Catalogues in PDF-format</a>
Brochures	

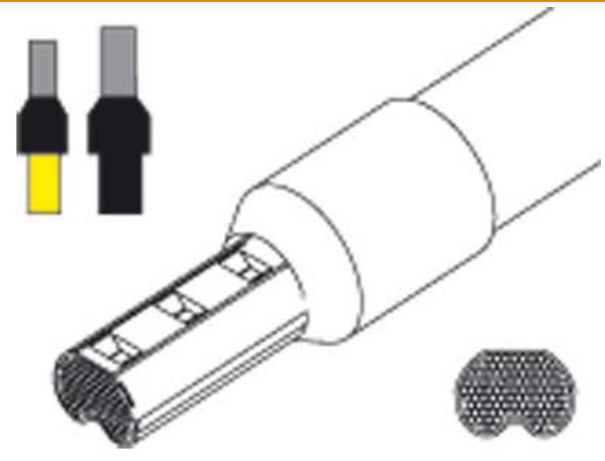
**Data sheet**

**PZ 16**

**Weidmüller Interface GmbH & Co. KG**  
Klingenbergstraße 26  
D-32758 Detmold  
Germany

[www.weidmueller.com](http://www.weidmueller.com)

**Drawings**



## PZ 16

**Weidmüller Interface GmbH & Co. KG**  
 Klingenbergstraße 26  
 D-32758 Detmold  
 Germany

[www.weidmueller.com](http://www.weidmueller.com)

## Replacement parts

### Accessories / replacement parts



#### Crimping tools for wire end ferrules, with and without plastic collars

- Ratchet guarantees precise crimping
- Release option in the event of incorrect operation

#### General ordering data

Type	EINSATZPAAR PZ 16E
Order No.	<a href="#">9012640000</a>
GTIN (EAN)	4008190114831
Qty.	1 pc(s).

### Replacement parts



After stripping the insulation, a suitable contact or wire end ferrule can be crimped onto the end of the cable. Crimping forms a secure connection between conductor and contact and has largely replaced soldering. Crimping denotes the creation of a homogeneous, permanent connection between conductor and connecting element. The connection can be made only with high-quality precision tools. The result is a secure and reliable connection both in mechanical and electrical terms. Weidmüller offers a wide range of mechanical crimping tools. Integral ratchets with release mechanisms guarantee optimum crimping. Crimped connections made with Weidmüller tools comply with international standards and regulations.

#### General ordering data

Type	ERTE GRIFFE PZ	Version
Order No.	<a href="#">9202810000</a>	Pressing tool, Replacement part
GTIN (EAN)	4032248512577	
Qty.	1 pc(s).	

## PZ 16

Weidmüller Interface GmbH &amp; Co. KG

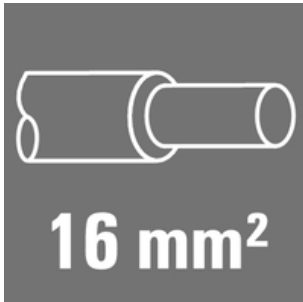
Klingenbergstraße 26

D-32758 Detmold

Germany

www.weidmueller.com

## Accessories

Conductor nom. cross-section 16mm<sup>2</sup>

- supplied loose in poly-bag
- Weidmüller colour code
- DIN colour code
- other colour code

## General ordering data

Type	H16,0/28D BL	Version	Packaging
Order No.	<a href="#">9019270000</a>	Wire-end ferrule, Standard, 21 mm, 18 mm, blue	loose
GTIN (EAN)	4008190100773		
Qty.	100 pc(s).		
Type	H16,0/28T W	Version	Packaging
Order No.	<a href="#">9021180000</a>	Wire-end ferrule, Standard, 21 mm, 18 mm, white	loose
GTIN (EAN)	4008190151980		
Qty.	100 pc(s).		
Type	H16,0/22D BL	Version	Packaging
Order No.	<a href="#">9019260000</a>	Wire-end ferrule, Standard, 15 mm, 12 mm, blue	loose
GTIN (EAN)	4008190125806		
Qty.	100 pc(s).		
Type	H16,0/22T W	Version	Packaging
Order No.	<a href="#">9021170000</a>	Wire-end ferrule, Standard, 15 mm, 12 mm, white	loose
GTIN (EAN)	4008190151478		
Qty.	100 pc(s).		
Type	H16,0/22 GN	Version	Packaging
Order No.	<a href="#">0565900000</a>	Wire-end ferrule, Standard, 15 mm, 12 mm, green	loose
GTIN (EAN)	4008190022181		
Qty.	100 pc(s).		
Type	H16,0/28 GN	Version	Packaging
Order No.	<a href="#">0566000000</a>	Wire-end ferrule, Standard, 21 mm, 18 mm, green	loose
GTIN (EAN)	4008190165406		
Qty.	100 pc(s).		

## PZ 16

Weidmüller Interface GmbH &amp; Co. KG

Klingenbergstraße 26

D-32758 Detmold

Germany

www.weidmueller.com

## Accessories

## in multipack bag

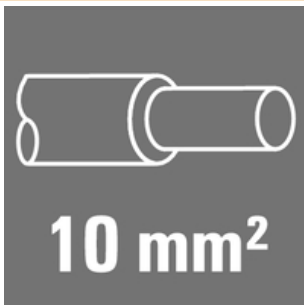


- Polypropylene conical cable entry
- Heat-resistant up to 105°C

for conductors from 1.5 to 16 mm<sup>2</sup> (AWG 16-6)  
tin-plated copper  
dimensional tolerances to DIN 46228 part 4

## General ordering data

Type	H6,0/23X GE SV	Version	Packaging
Order No.	<a href="#">9006790000</a>	Wire-end ferrule, Standard, 17 mm, 12 mm, yellow	Multipack bag
GTIN (EAN)	4008190332303		
Qty.	100 pc(s).		

Conductor nom. cross-section 10mm<sup>2</sup>

- supplied loose in polybag
- Weidmüller colour code
- DIN colour code
- other colour code

## General ordering data

Type	H10,0/28T BR	Version	Packaging
Order No.	<a href="#">9021160000</a>	Wire-end ferrule, Standard, 21 mm, 18 mm, brown	loose
GTIN (EAN)	4008190041915		
Qty.	100 pc(s).		
Type	H10,0/22T BR	Version	Packaging
Order No.	<a href="#">9021150000</a>	Wire-end ferrule, Standard, 15 mm, 12 mm, brown	loose
GTIN (EAN)	4008190086886		
Qty.	100 pc(s).		
Type	H10,0/22 EB	Version	Packaging
Order No.	<a href="#">0534200000</a>	Wire-end ferrule, Standard, 15 mm, 12 mm, Ivory	loose
GTIN (EAN)	4008190033460		
Qty.	100 pc(s).		
Type	H10,0/28 EB	Version	Packaging
Order No.	<a href="#">0565800000</a>	Wire-end ferrule, Standard, 21 mm, 18 mm, Ivory	loose
GTIN (EAN)	4008190138646		
Qty.	100 pc(s).		
Type	H10,0/22D R	Version	Packaging
Order No.	<a href="#">9019240000</a>	Wire-end ferrule, Standard, 15 mm, 12 mm, red	loose
GTIN (EAN)	4008190075385		
Qty.	100 pc(s).		

Creation date March 26, 2022 4:48:31 AM CET

Catalogue status 11.03.2022 / We reserve the right to make technical changes.

## PZ 16

Weidmüller Interface GmbH &amp; Co. KG

Klingenbergstraße 26

D-32758 Detmold

Germany

www.weidmueller.com

## Accessories

Type	H10,0/28D R	Version	Packaging
Order No.	<a href="#">9019250000</a>	Wire-end ferrule, Standard, 21 mm, 18 mm, red	loose
GTIN (EAN)	4008190041410		
Qty.	100 pc(s).		

Nominal conductor cross-section 10.0 mm<sup>2</sup> - 185.0 mm<sup>2</sup>

For conductors from 10.0 to 185.0 mm<sup>2</sup> (AWG 7 - 350 MCM)

tin-plated copper

dimensional tolerances to DIN 46228 part 1

- supplied loose in poly-bag

## General ordering data

Type	H16,0/25	Version	Packaging
Order No.	<a href="#">9004150000</a>	Wire-end ferrule, Standard, 25 mm, 25 mm, No	loose
GTIN (EAN)	4008190037253		
Qty.	100 pc(s).		
Type	H16,0/32	Version	Packaging
Order No.	<a href="#">9004160000</a>	Wire-end ferrule, Standard, 32 mm, 32 mm, No	loose
GTIN (EAN)	4008190084004		
Qty.	100 pc(s).		
Type	H10,0/15	Version	Packaging
Order No.	<a href="#">0124800000</a>	Wire-end ferrule, Standard, 15 mm, 15 mm, No	loose
GTIN (EAN)	4008190037475		
Qty.	500 pc(s).		
Type	H10,0/18	Version	Packaging
Order No.	<a href="#">0379300000</a>	Wire-end ferrule, Standard, 18 mm, 18 mm, No	loose
GTIN (EAN)	4008190156091		
Qty.	500 pc(s).		
Type	H16,0/12	Version	Packaging
Order No.	<a href="#">0492500000</a>	Wire-end ferrule, Standard, 12 mm, 12 mm, No	loose
GTIN (EAN)	4008190114190		
Qty.	500 pc(s).		
Type	H16,0/18	Version	Packaging
Order No.	<a href="#">0375200000</a>	Wire-end ferrule, Standard, 18 mm, 18 mm, No	loose
GTIN (EAN)	4008190077105		
Qty.	100 pc(s).		
Type	H16,0/15	Version	Packaging
Order No.	<a href="#">0124300000</a>	Wire-end ferrule, Standard, 15 mm, 15 mm, No	loose
GTIN (EAN)	4008190162993		
Qty.	500 pc(s).		
Type	H10,0/12	Version	Packaging
Order No.	<a href="#">0282900000</a>	Wire-end ferrule, Standard, 12 mm, 12 mm, No	loose
GTIN (EAN)	4008190075972		
Qty.	500 pc(s).		

## PZ 16

Weidmüller Interface GmbH &amp; Co. KG

Klingenbergstraße 26

D-32758 Detmold

Germany

www.weidmueller.com

## Accessories

Nominal conductor cross-section 0.25 mm<sup>2</sup> - 6.0 mm<sup>2</sup>

For conductors from 0.25 to 6,0 mm<sup>2</sup> (AWG 24 - 10)  
tin-plated copper  
dimensional tolerances to DIN 46228 part 1

- supplied loose in polybag

## General ordering data

Type	H6,0/10	Version	Packaging
Order No.	<a href="#">9004120000</a>	Wire-end ferrule, Standard, 10 mm, 10 mm, No	loose
GTIN (EAN)	4008190104795		
Qty.	500 pc(s).		
Type	H6,0/15	Version	Packaging
Order No.	<a href="#">0124700000</a>	Wire-end ferrule, Standard, 15 mm, 15 mm, No	loose
GTIN (EAN)	4008190003807		
Qty.	500 pc(s).		
Type	H6,0/12	Version	Packaging
Order No.	<a href="#">0191900000</a>	Wire-end ferrule, Standard, 12 mm, 12 mm, No	loose
GTIN (EAN)	4008190026851		
Qty.	500 pc(s).		
Type	H6,0/18	Version	Packaging
Order No.	<a href="#">9004130000</a>	Wire-end ferrule, Standard, 18 mm, 18 mm, No	loose
GTIN (EAN)	4008190143626		
Qty.	500 pc(s).		

Conductor nom. cross-section 6.0mm<sup>2</sup>

- supplied loose in poly-bag
- Weidmüller colour code
- DIN colour code
- other colour code

## General ordering data

Type	H6,0/26T GN	Version	Packaging
Order No.	<a href="#">9021140000</a>	Wire-end ferrule, Standard, 20 mm, 18 mm, green	loose
GTIN (EAN)	4008190022501		
Qty.	100 pc(s).		
Type	H6,0/20T GN	Version	Packaging
Order No.	<a href="#">9021130000</a>	Wire-end ferrule, Standard, 14 mm, 12 mm, green	loose
GTIN (EAN)	4008190111731		
Qty.	100 pc(s).		

Creation date March 26, 2022 4:48:31 AM CET

Catalogue status 11.03.2022 / We reserve the right to make technical changes.



## PZ 16

**Weidmüller Interface GmbH & Co. KG**  
 Klingenbergstraße 26  
 D-32758 Detmold  
 Germany

www.weidmueller.com

## Accessories

Type	H6,0/20 SW	Version	Packaging
Order No.	<a href="#">0533500000</a>	Wire-end ferrule, Standard, 14 mm, 12 mm, black	loose
GTIN (EAN)	4008190183905		
Qty.	100 pc(s).		
Type	H6,0/20D GE	Version	Packaging
Order No.	<a href="#">9019220000</a>	Wire-end ferrule, Standard, 14 mm, 12 mm, yellow	loose
GTIN (EAN)	4008190151607		
Qty.	100 pc(s).		
Type	H6,0/26 SW	Version	Packaging
Order No.	<a href="#">0565700000</a>	Wire-end ferrule, Standard, 20 mm, 18 mm, black	loose
GTIN (EAN)	4008190026837		
Qty.	100 pc(s).		
Type	H6,0/26D GE	Version	Packaging
Order No.	<a href="#">9019230000</a>	Wire-end ferrule, Standard, 20 mm, 18 mm, yellow	loose
GTIN (EAN)	4008190072117		
Qty.	100 pc(s).		

## Accessories / replacement parts



### Crimping tools for wire end ferrules, with and without plastic collars

- Ratchet guarantees precise crimping
- Release option in the event of incorrect operation

## General ordering data

Type	EINSATZPAAR PZ 16E
Order No.	<a href="#">9012640000</a>
GTIN (EAN)	4008190114831
Qty.	1 pc(s).

## Assortment of wire end ferrules with plastic collar



Box filled with wire end ferrules with plastic collar:

- in Weidmüller colour code
- DIN colour code

## General ordering data

Type	H-BOX 4,0-16,0QMM	Version	Packaging
Order No.	<a href="#">9025920000</a>	Assortment of wire end ferrules, Box, Colour code: Weidmüller	Box
GTIN (EAN)	4008190101442		
Qty.	1 pc(s).		

Creation date March 26, 2022 4:48:31 AM CET

**PZ 16**

**Weidmüller Interface GmbH & Co. KG**  
 Klingenbergstraße 26  
 D-32758 Detmold  
 Germany

www.weidmueller.com

**Accessories**

Type	H-BOX 4,0-16,0QMM DIN	Version		Packaging
Order No.	<a href="#">9025400000</a>	Assortment of wire end ferrules, Box, Colour code: DIN		Box
GTIN (EAN)	4008190341596			
Qty.	1 pc(s).			

**Replacement parts**



After stripping the insulation, a suitable contact or wire end ferrule can be crimped onto the end of the cable. Crimping forms a secure connection between conductor and contact and has largely replaced soldering. Crimping denotes the creation of a homogeneous, permanent connection between conductor and connecting element. The connection can be made only with high-quality precision tools. The result is a secure and reliable connection both in mechanical and electrical terms. Weidmüller offers a wide range of mechanical crimping tools. Integral ratchets with release mechanisms guarantee optimum crimping. Crimped connections made with Weidmüller tools comply with international standards and regulations.

**General ordering data**

Type	ERTE GRIFFE PZ	Version	
Order No.	<a href="#">9202810000</a>	Pressing tool, Replacement part	
GTIN (EAN)	4032248512577		
Qty.	1 pc(s).		

## X-ON Electronics

Largest Supplier of Electrical and Electronic Components

*Click to view similar products for [Crimpers / Crimping Tools](#) category:*

*Click to view products by [Weidmuller](#) manufacturer:*

Other Similar products are found below :

[010-0096](#) [M225201-06](#) [M225202-37](#) [6-1579015-5](#) [CT150-6-RH07](#) [622-6441LF](#) [M322](#) [6-304052-1](#) [63456-0054](#) [63484-3701](#) [63800-8355](#)  
[63819-1875](#) [63819-2875](#) [63819-4475](#) [63823-3475](#) [63827-5375](#) [64001-0975](#) [64001-4175](#) [64005-0175](#) [662903-2](#) [690602-6](#) [7-1579001-9](#) [7-](#)  
[23471-1](#) [762637-1](#) [808714-1](#) [811242-5](#) [999-50-020083](#) [1-21002-3](#) [1-21002-7](#) [12085270](#) [1-21002-6](#) [1-21113-6](#) [1-22548-4](#) [125442-1](#)  
[DCE.91.073.BVC](#) [DCE.91.090.3MVM](#) [DCE.91.130.5MVU](#) [DCE.91.202.BVCM](#) [1338300-1](#) [1-354003-0](#) [1338301-1](#) [DF62/RE-MD](#) [142321](#)  
[1456088-1](#) [1490794-1](#) [1-45804-6](#) [1490357-2](#) [1490357-3](#) [AX100749](#) [1-59619-7](#)