

STRIPAX PLUS 2.5**Weidmüller Interface GmbH & Co. KG**

Klingenbergstraße 26

D-32758 Detmold

Germany

www.weidmueller.com

**Cutting, stripping and crimping tools for connected wire-end ferrules strips**

- Cutting
- Stripping
- Crimping
- Automatic feeding of wire end ferrules
- Ratchet guarantees precise crimping
- Release option in the event of incorrect operation
- Efficient: only one tool needed for cable work, and thus significant time saved

General ordering data

Version	Cutting, stripping and crimping tool, Crimping tool for wire-end ferrules, 0.5mm ² , 2.5mm ² , Trapezoidal crimp
Order No.	9020000000
Type	STRIPAX PLUS 2.5
GTIN (EAN)	4008190067267
Qty.	1 pc(s).

Creation date March 26, 2022 10:23:36 AM CET

Catalogue status 11.03.2022 / We reserve the right to make technical changes.

STRIPAX PLUS 2.5**Weidmüller Interface GmbH & Co. KG**

Klingenbergstraße 26

D-32758 Detmold

Germany

www.weidmueller.com

Technical data**Dimensions and weights**

Width	210 mm	Width (inches)	8.268 inch
Weight	260 g	Net weight	250.91 g

Environmental Product Compliance

REACH SVHC	Lead 7439-92-1
------------	----------------

Technical data

Description of article	(1)Crimping tool	Version	Mechanical, without interchangeable inserts
------------------------	------------------	---------	---

Description of contact

Conductor cross-section, max. AWG	AWG 14	Conductor cross-section, min. AWG	AWG 20
Crimping range, max.	2.5 mm ²	Crimping range, min.	0.5 mm ²
Type of contact	Strips of linked wire-end ferrules		

tool data crimping

Crimping profile 1, max.	0.75 mm ²	Crimping profile 1, min.	0.5 mm ²
Crimping profile 2, max.	1.5 mm ²	Crimping profile 2, min.	1 mm ²
Crimping profile 3, min.	2.5 mm ²	Crimping type/profile	Trapezoidal crimp
Wire end ferrules cross-section, max.	2.5 mm ²	Wire end ferrules cross-section, min.	0.5 mm ²

Classifications

ETIM 6.0	EC002109	ETIM 7.0	EC002109
ETIM 8.0	EC002109	ECLASS 9.0	21-04-37-06
ECLASS 9.1	21-04-37-06	ECLASS 10.0	21-04-37-06
ECLASS 11.0	21-04-37-06		

Approvals

Approvals

**Downloads**

Engineering Data	CAD data – STEP
Engineering Data	WSCAD
User Documentation	Manual
Catalogues	Catalogues in PDF-format
Brochures	

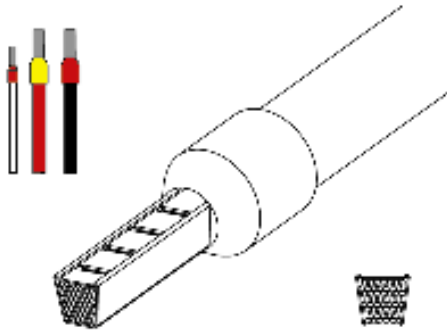
STRIPAX PLUS 2.5

Weidmüller Interface GmbH & Co. KG
Klingenbergstraße 26
D-32758 Detmold
Germany

www.weidmueller.com

Drawings

Example of use



Example of use



Example of use



STRIPAX PLUS 2.5

Weidmüller Interface GmbH & Co. KG
 Klingenbergstraße 26
 D-32758 Detmold
 Germany

www.weidmueller.com

Accessories**Strip of wire end ferrules**

- Linked of wire-end ferrule strips (50 pcs.)
- Weidmüller colour code
- DIN colour code

General ordering data

Type	H1,5/14T SW BD	Version	Packaging
Order No.	9021960000	Wire-end ferrule, Standard, 10 mm, 8 mm, black	Reel
GTIN (EAN)	4008190262389		packaged
Qty.	500 pc(s).		
Type	H1,5/14D SW BD	Version	Packaging
Order No.	9004350000	Wire-end ferrule, Standard, 10 mm, 8 mm, black	Reel
GTIN (EAN)	4008190005474		packaged
Qty.	500 pc(s).		
Type	H1,5/14 R BD	Version	Packaging
Order No.	9004340000	Wire-end ferrule, Standard, 10 mm, 8 mm, red	Reel
GTIN (EAN)	4008190080723		packaged
Qty.	500 pc(s).		

Strip of wire end ferrules

- Linked of wire-end ferrule strips (50 pcs.)
- Weidmüller colour code
- DIN colour code
- other colour code

General ordering data

Type	H1,0/14D R BD	Version	Packaging
Order No.	9004330000	Wire-end ferrule, Standard, 10 mm, 8 mm, red	Reel
GTIN (EAN)	4008190047498		packaged
Qty.	500 pc(s).		
Type	H1,0/14 GE BD	Version	Packaging
Order No.	9004320000	Wire-end ferrule, Standard, 10 mm, 8 mm, yellow	Reel
GTIN (EAN)	4008190167523		packaged
Qty.	500 pc(s).		
Type	H1,0/14T R BD	Version	Packaging
Order No.	9021950000	Wire-end ferrule, Standard, 10 mm, 8 mm, red	Reel
GTIN (EAN)	4008190262747		packaged
Qty.	500 pc(s).		

STRIPAX PLUS 2.5

Weidmüller Interface GmbH & Co. KG
 Klingenbergstraße 26
 D-32758 Detmold
 Germany

www.weidmueller.com

Accessories

Strip of wire end ferrules

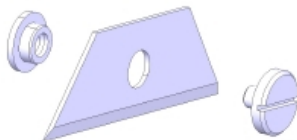


- Linked of wire-end ferrule strips (50 pcs.)
- DIN colour code
- other colour code

General ordering data

Type	H2,5/14T GR BD	Version	Packaging
Order No.	9004370000	Wire-end ferrule, Standard, 11 mm, 8 mm, grey	Reel
GTIN (EAN)	4008190052508		packaged
Qty.	500 pc(s).		
Type	H2,5/14D BL BD	Version	Packaging
Order No.	9004360000	Wire-end ferrule, Standard, 10 mm, 8 mm, blue	Reel
GTIN (EAN)	4008190083397		packaged
Qty.	500 pc(s).		

Accessories / replacement parts



Cutting, stripping and crimping tools for connected wire-end ferrules strips

- Cutting
- Stripping
- Crimping
- Automatic feeding of wire end ferrules
- Ratchet guarantees precise crimping
- Release option in the event of incorrect operation
- Efficient: only one tool needed for cable work, and thus significant time saved

General ordering data

Type	ERTE SLRD SPX P		
Order No.	9202700000		
GTIN (EAN)	4050118035094		
Qty.	1 pc(s).		
Type	ERSATZMESSER STRIPAX PL	Version	
Order No.	9050340000	Spare cutting blade	
GTIN (EAN)	4008190350949		
Qty.	5 pc(s).		
Type	ERTE MEHA SPX P	Version	
Order No.	9202680000	Cutter holder	
GTIN (EAN)	4050118035087		
Qty.	1 pc(s).		

STRIPAX PLUS 2.5

Weidmüller Interface GmbH & Co. KG
 Klingenbergstraße 26
 D-32758 Detmold
 Germany

www.weidmueller.com

Accessories

Strip of wire end ferrules



- Linked of wire-end ferrule strips (50 pcs.)
- Weidmüller colour code
- DIN colour code

General ordering data

Type	H0,5/14T W BD	Version	Packaging
Order No.	9021930000	Wire-end ferrule, Standard, 10 mm, 8 mm, white	Reel
GTIN (EAN)	4008190262402		packaged
Qty.	500 pc(s).		
Type	H0,5/14D W BD	Version	Packaging
Order No.	9004280000	Wire-end ferrule, Standard, 10 mm, 8 mm, white	Reel
GTIN (EAN)	4008190162627		packaged
Qty.	500 pc(s).		
Type	H0,5/14 OR BD	Version	Packaging
Order No.	9004270000	Wire-end ferrule, Standard, 10 mm, 8 mm, orange	Reel
GTIN (EAN)	4008190091774		packaged
Qty.	500 pc(s).		

Strip of wire end ferrules



- Linked of wire-end ferrule strips (50 pcs.)
- Weidmüller colour code
- DIN colour code
- other colour code

General ordering data

Type	H0,75/14T HBL BD	Version	Packaging
Order No.	9004310000	Wire-end ferrule, Standard, 10 mm, 8 mm, Light Blue	Reel
GTIN (EAN)	4008190179298		packaged
Qty.	500 pc(s).		
Type	H0,75/14 W BD	Version	Packaging
Order No.	9004290000	Wire-end ferrule, Standard, 10 mm, 8 mm, white	Reel
GTIN (EAN)	4008190006778		packaged
Qty.	500 pc(s).		
Type	H0,75/14D GR BD	Version	Packaging
Order No.	9004300000	Wire-end ferrule, Standard, 10 mm, 8 mm, grey	Reel
GTIN (EAN)	4008190154837		packaged
Qty.	500 pc(s).		

X-ON Electronics

Largest Supplier of Electrical and Electronic Components

Click to view similar products for [Wire Stripping & Cutting Tools](#) category:

Click to view products by [Weidmuller](#) manufacturer:

Other Similar products are found below :

[6-690504-4](#) [693855-1](#) [813066-2](#) [844764-5](#) [844765-5](#) [1-240642-7](#) [133900-001](#) [1-356885-4](#) [1424635-1](#) [1424649-1](#) [1424650-1](#) [1440-0013-84](#)
[1-458031-5](#) [1-458030-5](#) [MT10-250Q](#) [1755](#) [2-539783-7](#) [L-5211](#) [1633578-3](#) [F10-10Q](#) [1-844765-9](#) [251465-1](#) [R282066100](#) [313808-1](#)
[CST596711](#) [458031-9](#) [462839-1](#) [467281-1](#) [4-690504-2](#) [406339-3](#) [L-4994](#) [45-265](#) [453653-1](#) [45-418](#) [455177-1](#) [455671-4](#) [458144-8](#) [462007-](#)
[1](#) [462548-1](#) [464661-1](#) [224186-1](#) [679746-1](#) [809687-1](#) [852080-2](#) [856695-8](#) [11-40-4082](#) [458030-1](#) [679326-7](#) [605744-1](#) [690784-2](#)