

ACT20P
ACT20P-CI-CO

Weidmüller Interface GmbH & Co. KG
 Klingenbergstraße 16
 D-32758 Detmold
 Germany
 Fon: +49 5231 14-0
 Fax: +49 5231 14-292083
 www.weidmueller.com

Product image

ACT20P: The flexible solution

- Precise and highly functional signal converters
- Simple configuration via display (Pro DCDC II), FDT/DTM software or DIP switch
- Release levers simplify handling
- More space in the control cabinet, from 12.5 mm wide for two channels

General ordering data

Type	ACT20P-CI-CO
Order No.	7760054114
Version	Signal converter/isolator, Input : 0(4)-20 mA, Output : 0(4)-20 mA
GTIN (EAN)	6944 169656552
Qty.	1 pc(s).

ACT20P
ACT20P-CI-CO

Weidmüller Interface GmbH & Co. KG
Klingenbergstraße 16
D-32758 Detmold
Germany
Fon: +49 5231 14-0
Fax: +49 5231 14-292083
www.weidmueller.com

Technical data**Dimensions and weights**

Width	12.5 mm	Width (inches)	0.492 inch
Height	117.2 mm	Height (inches)	4.614 inch
Depth	113.7 mm	Depth (inches)	4.476 inch
Weight	110 g	Net weight	142 g

Temperatures

Humidity	5...95 %, no condensation	Operating temperature, max.	60 °C
Operating temperature, min.	-20 °C	Storage temperature, max.	85 °C
Storage temperature, min.	-40 °C	Operating temperature	-20 °C...60 °C
Storage temperature	-40 °C...85 °C		

Environmental Product Compliance

REACH SVHC	Lead 7439-92-1
------------	----------------

Input

Number of inputs	1	Sensor supply	> 17 V DC at 20 mA
Input signal	2-/3-wire transmitter, bi-directional HART [®] signal	Input current	0...20 mA, 4...20mA
Voltage drop	≤ 1 V		

Output

Number of outputs	1	Output current	0...20 mA, 4...20 mA, HART [®] digital signal
load impedance current	≤ 550 Ω		

General data

Accuracy	< 0.1 % of end value	Configuration	none
Current consumption	≤60 mA (24V power supply, 20mA output)	Galvanic isolation	3-way isolator, between input/output/supply
Rail	TS 35	Step response time	≤ 0,5 ms
Temperature coefficient	80 ppm/K	Voltage supply	20...30 V DC

Insulation coordination

EMC standards	EN 61010-1:2011, UL 61010-1, EN 61326-1	Galvanic isolation	3-way isolator, between input/output/supply
Impulse withstand voltage	4 kV (1.2/50 μs)	Insulation voltage	2 kV inputs / outputs / power supply
Pollution severity	2	Surge voltage category	III
Test voltage	300 V		

Connection data

Type of connection	Screw connection	Tightening torque, min.	0.4 Nm
Tightening torque, max.	0.6 Nm	Clamping range, rated connection	2.5 mm ²
Clamping range, min.	0.5 mm ²	Clamping range, max.	2.5 mm ²
Wire connection cross section AWG, min.	AWG 30	Wire connection cross section AWG, max.	AWG 14

ACT20P ACT20P-CI-CO

Weidmüller Interface GmbH & Co. KG
 Klingenbergstraße 16
 D-32758 Detmold
 Germany
 Fon: +49 5231 14-0
 Fax: +49 5231 14-292083
 www.weidmueller.com

Technical data

Classifications

ETIM 6.0	EC002653	eClass 6.2	27-21-01-07
eClass 7.1	27-21-01-07	eClass 8.1	27-21-01-07
eClass 9.0	27-21-01-20	eClass 9.1	27-21-01-20

Product information

Product information The non-adjustable DC isolating amplifier ACT20P-CI-CO isolates analogue standard current signals from a power source or from a 2- or 3-wire sensor. An analogue input current signal is linearly converted into an analogue output current signal and is galvanically isolated. The power supply is galvanically isolated from the input and output (3-way isolation).

Properties

- HART-compatible for 0.5 - 2.5 kHz
- The active or passive mA signal inputs are fully galvanically isolated.
- Operating status display on a front panel LED
- Galvanic 3-way isolation between input, output and supply.

Approvals

Approvals



Downloads

Approval/Certificate/Document of Conformity	Declaration of Conformity
Brochure/Catalogue	CAT 4.1 ELECTR 16/17 EN
Engineering Data	EPLAN, WSCAD, Zuken E3.S
Engineering Data	STEP
User Documentation	Instruction sheet

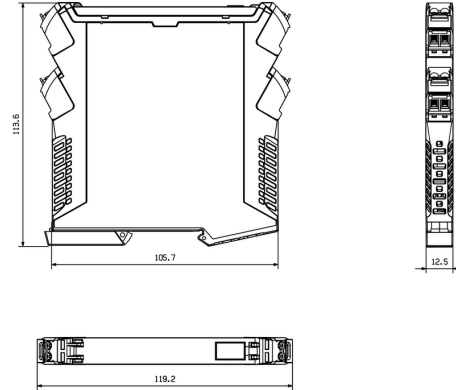
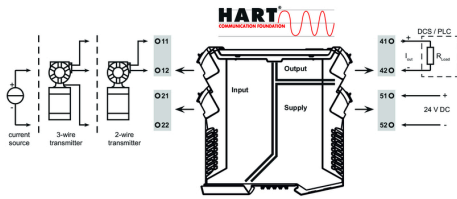
Data sheet

**ACT20P
ACT20P-CI-CO**

Weidmüller Interface GmbH & Co. KG
 Klingenbergstraße 16
 D-32758 Detmold
 Germany
 Fon: +49 5231 14-0
 Fax: +49 5231 14-292083
 www.weidmueller.com

Drawings

Dimensioned drawing



X-ON Electronics

Largest Supplier of Electrical and Electronic Components

Click to view similar products for [Measuring Tools](#) category:

Click to view products by [Weidmuller](#) manufacturer:

Other Similar products are found below :

[G336](#) [M225203-01](#) [G426](#) [G1333](#) [G1327](#) [G1154](#) [G1150](#) [G1152](#) [G1157](#) [G1153](#) [G1155](#) [G1009](#) [1051-03](#) [121010D](#) [121050D](#) [25541](#) [8255](#)
[NF-221200130](#) [20323](#) [20329](#) [20363](#) [20365](#) [20515](#) [20516](#) [G800](#) [G1229](#) [5205000](#) [5206000](#) [5223000](#) [6921000](#) [YT-30061](#) [W002900](#)
[W061008](#) [W061009](#) [W061010](#) [W062004](#) [W066005](#) [W066006](#) [15225](#) [16135](#) [16456](#) [17215](#) [17218](#) [17221](#) [17670](#) [17672](#) [17677](#) [17953](#)
[18115](#) [18879](#)