

## ACT20P ACT20P-VI1-CO-OLP

**Weidmüller Interface GmbH & Co. KG**  
 Klingenbergstraße 16  
 D-32758 Detmold  
 Germany  
 Fon: +49 5231 14-0  
 Fax: +49 5231 14-292083  
 www.weidmueller.com

### Similar to illustration



#### ACT20P: The flexible solution

- Precise and highly functional signal converters
- Simple configuration via display (Pro DCDC II), FDT/DTM software or DIP switch
- Release levers simplify handling
- More space in the control cabinet, from 12.5 mm wide for two channels

#### General ordering data

Type	ACT20P-VI1-CO-OLP
Order No.	<a href="#">7760054120</a>
Version	Signal converter/isolator, Output current loop powered, Input : 0-5 V, Output : 4-20 mA
GTIN (EAN)	6944 169656606
Qty.	1 pc(s).

**ACT20P**  
**ACT20P-VI1-CO-OLP**

**Weidmüller Interface GmbH & Co. KG**  
 Klingenbergstraße 16  
 D-32758 Detmold  
 Germany  
 Fon: +49 5231 14-0  
 Fax: +49 5231 14-292083  
 www.weidmueller.com

**Technical data****Dimensions and weights**

Width	12.5 mm	Width (inches)	0.492 inch
Height	117.2 mm	Height (inches)	4.614 inch
Depth	114 mm	Depth (inches)	4.488 inch
Weight	126 g	Net weight	100 g

**Temperatures**

Humidity	5...95 %, no condensation	Operating temperature, max.	60 °C
Operating temperature, min.	-20 °C	Storage temperature, max.	85 °C
Storage temperature, min.	-40 °C	Operating temperature	-20 °C...60 °C
Ambient temperature	-20 °C...+60 °C	Storage temperature	-40 °C...85 °C

**Environmental Product Compliance**

REACH SVHC Lead 7439-92-1

**Input**

Number of inputs	1	Sensor	Voltage source
Input voltage	0...5 V DC	Input resistance, voltage	≥ 300 kΩ

**Output**

Number of outputs	1	Output current	4...20 mA, loop-powered
load impedance current	≤ 600 Ω		

**General data**

Accuracy	< 0.1 % of end value	Configuration	none
Galvanic isolation	2-way isolator	Rail	TS 35
Step response time	≤ 1 ms	Temperature coefficient	≤ 100 ppm/K
Voltage supply	via output current loop, min. 12 V DC/ max. 30 V DC		

**Insulation coordination**

EMC standards	EN 61010-1:2011, UL 61010-1, IEC61000-6-2, IEC 61000-6-4	Galvanic isolation	2-way isolator
Impulse withstand voltage	4 kV (1.2/50 μs)	Insulation voltage	2 kV (Input /Output), 1 min, 50 Hz
Pollution severity	2	Rated voltage	300 V
Surge voltage category	III		

**Connection data**

Type of connection	Screw connection	Tightening torque, min.	0.4 Nm
Tightening torque, max.	0.6 Nm	Clamping range, rated connection	2.5 mm <sup>2</sup>
Clamping range, min.	0.5 mm <sup>2</sup>	Clamping range, max.	2.5 mm <sup>2</sup>
Wire connection cross section AWG, min.	AWG 30	Wire connection cross section AWG, max.	AWG 14

**Data sheet**

**ACT20P  
ACT20P-VI1-CO-OLP**

**Weidmüller Interface GmbH & Co. KG**  
 Klingenbergstraße 16  
 D-32758 Detmold  
 Germany  
 Fon: +49 5231 14-0  
 Fax: +49 5231 14-292083  
 www.weidmueller.com

**Technical data**

**Classifications**

ETIM 6.0	EC002653	eClass 6.2	27-21-01-07
eClass 9.0	27-21-01-20	eClass 9.1	27-21-01-20

**Product information**

Product information      The ACT20P-VIX-CO-OLP-S single-channel fixed passive isolator isolates and converts analogue standard signals. An analogue input voltage signal is linearly converted into an analogue output current signal and galvanically isolated. The device is powered via the output current loop.

Features

- 2-way galvanic isolation between input and output.

**Approvals**

Approvals



**Downloads**

Approval/Certificate/Document of Conformity	<a href="#">Declaration of Conformity</a>
Engineering Data	<a href="#">EPLAN</a>
Engineering Data	<a href="#">STEP</a>
User Documentation	<a href="#">Instruction sheet</a>

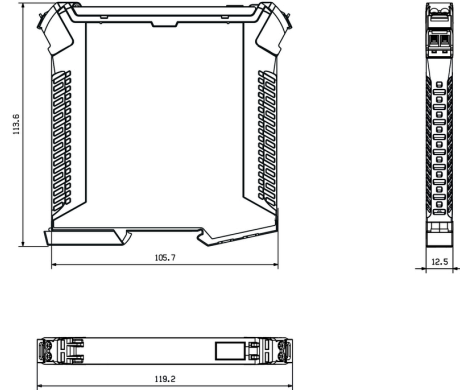
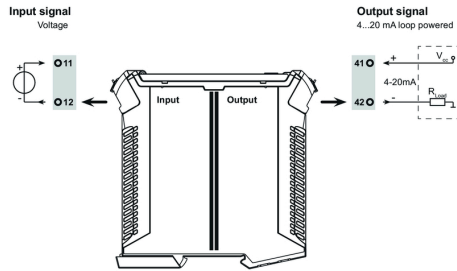
**Data sheet**

**ACT20P  
ACT20P-VI1-CO-OLP**

**Weidmüller Interface GmbH & Co. KG**  
 Klingenbergstraße 16  
 D-32758 Detmold  
 Germany  
 Fon: +49 5231 14-0  
 Fax: +49 5231 14-292083  
 www.weidmueller.com

**Drawings**

**Dimensioned drawing**



## X-ON Electronics

Largest Supplier of Electrical and Electronic Components

*Click to view similar products for [Measuring Tools](#) category:*

*Click to view products by [Weidmuller](#) manufacturer:*

Other Similar products are found below :

[G336](#) [M225203-01](#) [G426](#) [G1333](#) [G1327](#) [G1154](#) [G1150](#) [G1152](#) [G1157](#) [G1153](#) [G1155](#) [G1009](#) [1051-03](#) [121010D](#) [121050D](#) [25541](#) [8255](#)  
[NF-221200130](#) [20323](#) [20329](#) [20363](#) [20365](#) [20515](#) [20516](#) [G800](#) [G1229](#) [5205000](#) [5206000](#) [5223000](#) [6921000](#) [YT-30061](#) [W002900](#)  
[W061008](#) [W061009](#) [W061010](#) [W062004](#) [W066005](#) [W066006](#) [15225](#) [16135](#) [16456](#) [17215](#) [17218](#) [17221](#) [17670](#) [17672](#) [17677](#) [17953](#)  
[18115](#) [18879](#)