

ACT20P ACT20P-VI-CO-OLP

Weidmüller Interface GmbH & Co. KG
 Klingenbergstraße 16
 D-32758 Detmold
 Germany
 Fon: +49 5231 14-0
 Fax: +49 5231 14-292083
 www.weidmueller.com

Similar to illustration



ACT20P: The flexible solution

- Precise and highly functional signal converters
- Simple configuration via display (Pro DCDC II), FDT/DTM software or DIP switch
- Release levers simplify handling
- More space in the control cabinet, from 12.5 mm wide for two channels

General ordering data

Type	ACT20P-VI-CO-OLP
Order No.	7760054121
Version	Signal converter/isolator, Output current loop powered, Input : 0-10 V, Output : 4-20 mA
GTIN (EAN)	6944 169656613
Qty.	1 pc(s).

ACT20P
ACT20P-VI-CO-OLP

Weidmüller Interface GmbH & Co. KG
 Klingenbergstraße 16
 D-32758 Detmold
 Germany
 Fon: +49 5231 14-0
 Fax: +49 5231 14-292083
 www.weidmueller.com

Technical data
Dimensions and weights

Width	12.5 mm	Width (inches)	0.492 inch
Height	117.2 mm	Height (inches)	4.614 inch
Depth	114 mm	Depth (inches)	4.488 inch
Weight	126 g	Net weight	100 g

Temperatures

Humidity	5...95 %, no condensation	Operating temperature, max.	60 °C
Operating temperature, min.	-20 °C	Storage temperature, max.	85 °C
Storage temperature, min.	-40 °C	Operating temperature	-20 °C...60 °C
Ambient temperature	-20 °C...+60 °C	Storage temperature	-40 °C...85 °C

Environmental Product Compliance

REACH SVHC Lead 7439-92-1

Input

Number of inputs	1	Sensor	Voltage source
Input voltage	0...10 V	Input resistance, voltage	≥ 300 kΩ

Output

Number of outputs	1	Output current	4...20 mA, loop-powered
load impedance current	≤ 600 Ω		

General data

Accuracy	< 0.2 % of end value	Configuration	none
Galvanic isolation	2-way isolator	Rail	TS 35
Step response time	≤ 1 ms	Temperature coefficient	≤ 100 ppm/K
Voltage supply	via output current loop, min. 12 V DC/ max. 30 V DC		

Insulation coordination

EMC standards	EN 61010-1:2011, UL 61010-1, IEC61000-6-2, IEC 61000-6-4	Galvanic isolation	2-way isolator
Impulse withstand voltage	4 kV (1.2/50 μs)	Insulation voltage	2 kV (Input /Output), 1 min, 50 Hz
Pollution severity	2	Rated voltage	300 V
Surge voltage category	III		

Connection data

Type of connection	Screw connection	Tightening torque, min.	0.4 Nm
Tightening torque, max.	0.6 Nm	Clamping range, rated connection	2.5 mm ²
Clamping range, min.	0.5 mm ²	Clamping range, max.	2.5 mm ²
Wire connection cross section AWG, min.	AWG 30	Wire connection cross section AWG, max.	AWG 14

Data sheet

**ACT20P
ACT20P-VI-CO-OLP**

Weidmüller Interface GmbH & Co. KG
 Klingenbergstraße 16
 D-32758 Detmold
 Germany
 Fon: +49 5231 14-0
 Fax: +49 5231 14-292083
 www.weidmueller.com

Technical data

Classifications

ETIM 6.0	EC002653	eClass 6.2	27-21-01-07
eClass 9.0	27-21-01-20	eClass 9.1	27-21-01-20

Product information

Product information The ACT20P-VIX-CO-OLP-S single-channel fixed passive isolator isolates and converts analogue standard signals. An analogue input voltage signal is linearly converted into an analogue output current signal and galvanically isolated. The device is powered via the output current loop.

Features

- 2-way galvanic isolation between input and output.

Approvals

Approvals



Downloads

Approval/Certificate/Document of Conformity	Declaration of Conformity
Engineering Data	EPLAN
Engineering Data	STEP
User Documentation	Instruction sheet

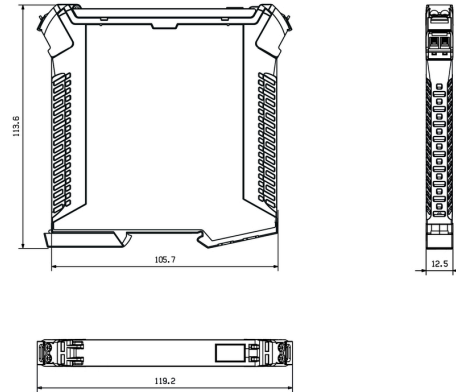
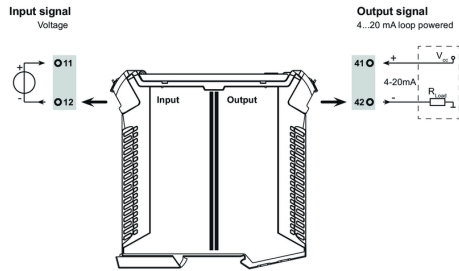
Data sheet

**ACT20P
ACT20P-VI-CO-OLP**

Weidmüller Interface GmbH & Co. KG
 Klingenbergstraße 16
 D-32758 Detmold
 Germany
 Fon: +49 5231 14-0
 Fax: +49 5231 14-292083
 www.weidmueller.com

Drawings

Dimensioned drawing



X-ON Electronics

Largest Supplier of Electrical and Electronic Components

Click to view similar products for [Measuring Tools](#) category:

Click to view products by [Weidmuller](#) manufacturer:

Other Similar products are found below :

[G336](#) [M225203-01](#) [G426](#) [G1333](#) [G1327](#) [G1154](#) [G1150](#) [G1152](#) [G1157](#) [G1153](#) [G1155](#) [G1009](#) [1051-03](#) [121010D](#) [121050D](#) [25541](#) [8255](#)
[NF-221200130](#) [20323](#) [20329](#) [20363](#) [20365](#) [20515](#) [20516](#) [G800](#) [G1229](#) [5205000](#) [5206000](#) [5223000](#) [6921000](#) [YT-30061](#) [W002900](#)
[W061008](#) [W061009](#) [W061010](#) [W062004](#) [W066005](#) [W066006](#) [15225](#) [16135](#) [16456](#) [17215](#) [17218](#) [17221](#) [17670](#) [17672](#) [17677](#) [17953](#)
[18115](#) [18879](#)