

Enclosure systems and accessories

Klippon® Protect

Let's connect.

Version 2020



Our Orange Selection

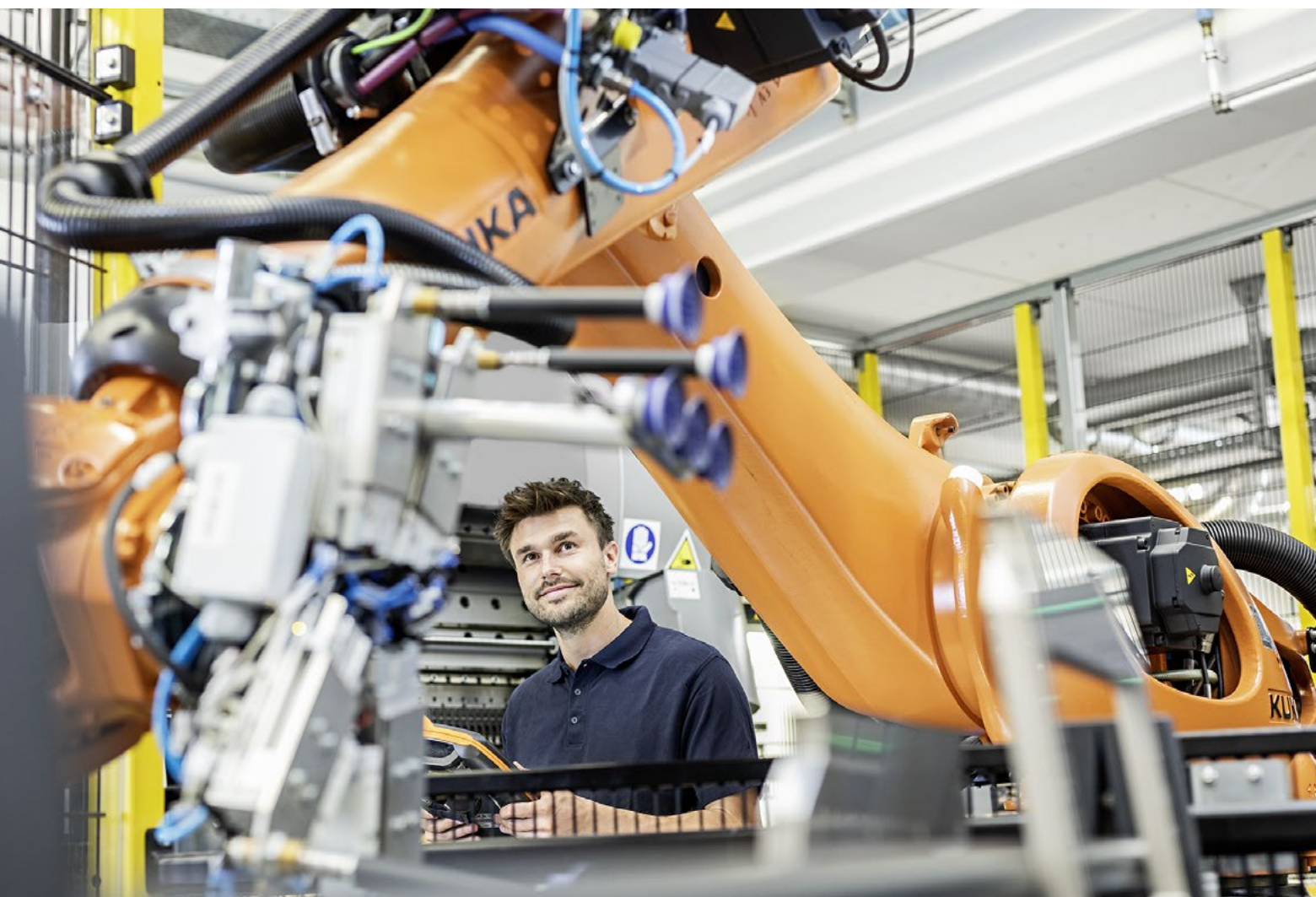
Quick and easy planning

To enable you to react quickly and easily to the requirements of your industrial environment, we have defined a core portfolio of more than 1,500 articles for you – our Orange Selection. The Orange Selection articles are tailored to one another and cover your standard requirements comprehensively.

All Orange Selection articles are "stock items": If you order by 3 p.m., your order will already be on the way the next working day! For even more efficient planning and production processes, we have marked all articles in our online product catalogue **catalog.weidmueller.com** as "always available" and stored the digital product data for the entire range.

By the way: the Orange Selection is of course also available in the Weidmüller Configurator **www.weidmueller.com/configurator**. Our powerful engineering software guides you intelligently and reliably through your selection and configuration process.

Further information and links to our services can be found at:
www.weidmueller.com/orange-selection



Dear Customers,

The PDF versions of our catalogues offer practical additional functions, helping you to find your way around our product range and simplifying the ordering process.

In addition to the catalogue, the PDF also contains:

- Internal page links
- Links to the online catalogue

Try it out for yourself. Click the order number to obtain more detailed information and close-up images via your web browser. The links in the PDF file also enable you to go directly to the next desired catalogue page.

Further Weidmüller product catalogues can be accessed by clicking the following:



Enclosure systems and accessories

Catalogue 5

Enclosure systems and accessories

Introduction

Klippon® Protect

Enclosures

Cable entries

Cable entry system

Tools

Appendix

Service and support

Technical appendix

Index

Search according to type or order number

Enclosures systems and accessories

Introduction
Page A.2



Klippon® Protect
Page B.2



Klippon® TB
Page C.10



Klippon® EBi
Page C.48



Klippon® STB
Page C.64



Klippon® K
Page C.92



Klippon® POK
Page C.128



TBF Range
Page C.168



MPC Range
Page C.176



FPC Range
Page C.184



Standard cable glands - Plastic
Page D.6



Standard cable glands - Brass
Page D.8



Cable glands for HDC RockStar®
Page D.10



EMC cable glands
Page D.11



Cable glands - stainless steel
Page D.13



Klippon® Cable glands 
Page D.27



Accessories - Lock nuts
Page D.40



Accessories - IP washer
Page D.45



Accessories - Shrouds
Page D.50



Blanking plugs
Page D.53



Compensating elements
Page D.59



Cable entry system
Page E.2



Tools
Page F.2



Introduction

| | | |
|---------------------|-------------------|-----|
| Introduction | Introduction | A.2 |
| | Klippon® | A.4 |
| | Klippon® Services | A.6 |

Digitalisation presents you with many new challenges

We will support you to master them

The social and economic changes being caused by digitalisation are also pushing industrial production towards new, data-based services that need to be integrated into the value creation chains in a profitable manner.

Our objective is to support you with the implementation of these new structures and processes right from the start, and to successfully accompany you on new paths in the Industry 4.0 era.

Thanks to the entire range of Weidmüller products, the use of our local production and assembly facilities, and our global sales network, we can lay the very best foundations for a successful partnership with you, our customer.



Whether decentralisation, modularisation, data consistency and transparency or the implementation of completely individual applications in the IoT environment: the factory of the future needs to be able to take on a wide variety of challenges.

With our Klippon® products and services, we have created innovative and future-oriented solutions while setting new standards for applications within a wide range of industries.



More information about our Klippon® products and services at www.weidmueller.com/KlipponProtect

Dive into the Klippon® world and discover our innovative products and services.

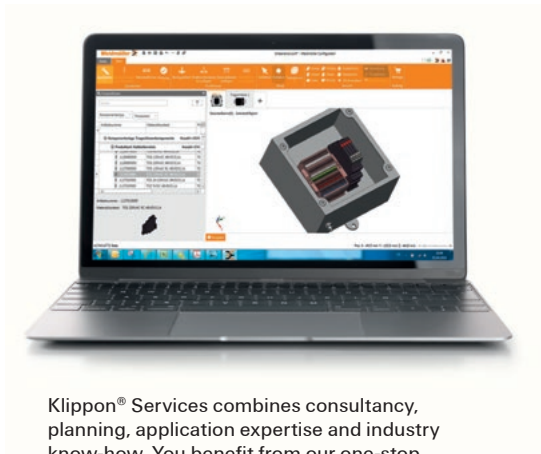


It's Klippon® Bringing excellence together

For more than 50 years, Klippon® has been synonymous with innovation, competence, and quality of products and services in the automation technology. Klippon® Services is the most recent extension to the well known, proven Klippon® Connect and Klippon® Protect products. Klippon® Services provides innovative software and assembly services. With Klippon® we are your reliable partner throughout the complete value creation process. Create your competitive advantage with Klippon®.

Your special advantages:

The flexible Klippon® Protect enclosure system is the perfect addition to our Klippon® Connect range of terminal blocks. You can rely on our mounted enclosures to offer a custom fit to your requirements and provide excellent protection. Klippon® Services completes our products range with optimal support for your processes.



Klippon® Services combines consultancy, planning, application expertise and industry know-how. You benefit from our one-stop production services. Thereby you will reduce costs, increase efficiency, and simplify quality management. We guarantee quick, quality-focused production and order-based availability. We deliver even individually assembled products anywhere within a short time.



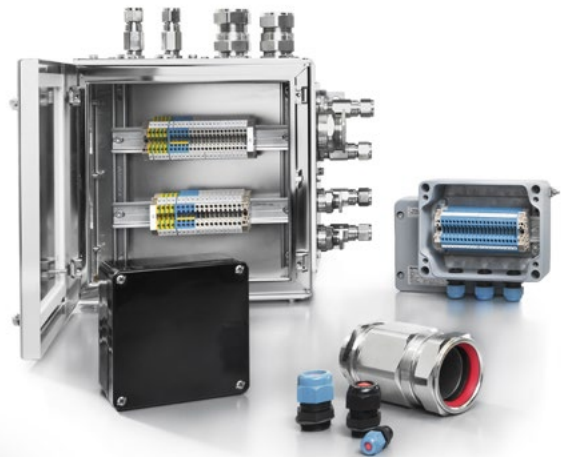
Klippon®
Services



Klippon® Connect offers a wide range of tailored application products, universal terminals and in-process services. A complete range of standard solutions and application-specific products, including all conventional connection technologies and functions for your individual application.

Klippon®
Connect

Klippon®
Protect



With Klippon® Protect, you can choose from a wide range of universal and application-specific enclosures. These products cover all relevant approvals required for use in industrial and explosive risk zones. They are flexible enough for optimal adaptation to your requirements.

Klippon® Services – expertise for your requirements

Our service connects worldwide

Planning, engineering, and production processes have to be completed with ever greater speed, precision, and efficiency. Such an increase in efficiency needs innovative tools and processes that optimally support the entire process of product creation and assembly.

With Klippon® Services, we offer a comprehensive, digitalised support for planning and developing, offering and ordering, and assembly and delivery of your distinct product.

By bringing together the entire value chain – backed by efficient software tools, extraordinary expertise, and a technologically leading production – we are answering your requirements concerning a future-orientated, ready-to-install assembly.

Your special advantages:

One-stop configuring, ordering, and delivery of the assembled product: With Klippon® Services you benefit from greater flexibility in your project business. Our services span from reliable planning and professional engineering to manufacturing in perfect quality.



An order will dispatch after just four days from Germany when a certain service level is selected. Order quantities start at one.



Configuration and ordering are simple with the Weidmüller Configurator www.weidmueller.de/wmc



Klippon® Services



Fast Delivery Service

Obtain offers 24/7 and within minutes, including directly orderable article numbers. The Weidmüller Configurator (WMC) for planning and configuration is key for consistent processes.



Engineer to Order

We offer highly qualified engineering service for standard or modified products.



Customised Solutions

Our extensive customer consulting, powerful project management, and flexible production enable individual, customised solutions.

Efficient digital engineering

Weidmüller Configurator (WMC) integrates CAE access and direct offer

The choice is yours

Within Klippon® Services the WMC supports you step-by-step as you select and configure your assembled terminal strips and an extensive range of enclosures, including accessories and further Weidmüller products. You decide whether you want to carry out the complete configuration in WMC or whether you want to import data sets from your CAE system and simply transfer them back again after making final adjustments in the WMC. Whichever way you decide to go, you will benefit from centralised documentation that is always up to date, you will avoid transmission errors and you will no longer have to share your sensitive data with a third party. Using STEP, the universal 3D CAD exchange format, you can now also export your WMC solution directly into your CAE system, ensuring complete data consistency in all your systems.

Your special advantages:

Configuration is simple, safe, and convenient because of user-friendly operation, distinct design, and integration in your engineering workflows from planning with CAE to documentation.

Three reasons to start using the Weidmüller Configurator now:

1. Proven configuration designs in real 3D

Digital product information is based on the classification standard eCI@ss advanced. An integrated plausibility and collision control with full digital documentation ensure that your configuration is 100 % reliable.

2. Seamless CAE integration

Integrated interfaces facilitate the simple import and export of product data between the WMC and all commonly-used engineering tools, such as Zuken E³ or EPLAN Electric P8.

3. Interfaces for automated manufacturing

The WMC provides all necessary digital information for a full automation, such as subsequent assembly, marking with M-Print® PRO, and wiring. This is the key for the fast delivery service.

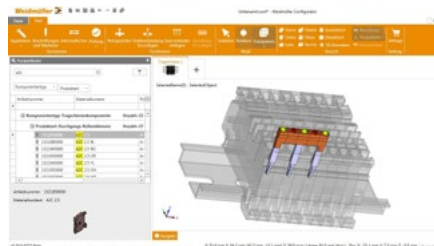


Configuration and ordering are simple with the Weidmüller Configurator
www.weidmueller.com/wmc



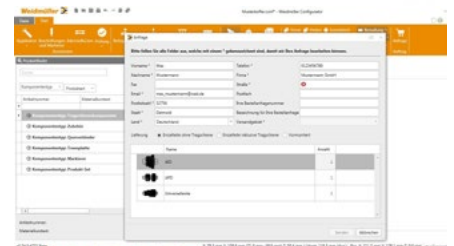
Full engineering support

The product data can be used in engineering systems such as EPLAN Electric P8 or Zuken E³ series. 3D models are available for panel set-up.



Helpful wizard system

The intelligent wizard function documents every step in which a component is assembled and only allows permissible configurations. Mistakes are corrected automatically.



Integrated request function

The selected components can be requested directly – as individual components, pre-installed on a terminal rail, or as an assembled enclosure.

Klippon® Services – focus on your core business

“Fast Delivery Service” enables short-term delivery of assembled products

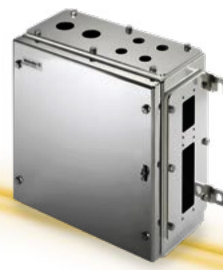
Today you are confronted with tough challenges in mechanical and plant engineering as well as in control cabinet production. On the one hand, the production of your products is becoming increasingly made to order/ custombuilt and a lot more complex. On the other hand, you have to deal with high price pressures, tight deadlines and short-term change requests. In addition, many products are requested in small quantities.

To meet these growing demands, you need ever more efficient planning and manufacturing processes - and you need to be able to rely on 100% fast and reliable delivery. With our Fast Delivery Service, we offer you both. The integrated concept simplifies your planning, accelerates your manufacturing processes and guarantees the delivery of individually assembled and ready-to-install terminal strips or enclosures within the shortest possible time. In this way, you reduce your costs, increase your flexibility and stay one step ahead of your competitors.



Klippon® Connect and Klippon® Protect

Assembled enclosures with terminal strip, add-on components and optional Ex approval.



Klippon® Protect

Individual empty enclosures with holes, threads or cut-outs according to your specifications – optionally unassembled, equipped or with add-on parts.



WMC – Digital Engineering

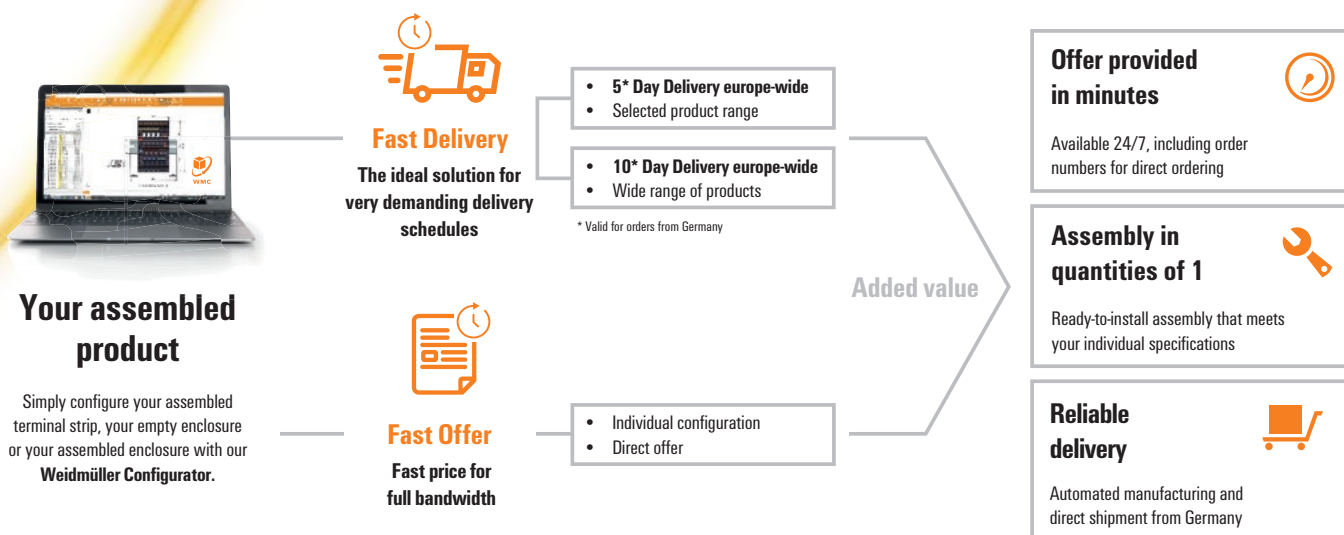
Our Weidmüller Configurator (WMC) gives you access to the “Fast Delivery Service”. You can import directly your CAE data.

Klippon® Connect

Ready-to-install assembled terminal strips including electronic components - individually manufactured according to your specifications.

Determine your own delivery time thanks to Fast Delivery Service

We offer the choice between 3 service levels



Your advantages at a glance with our Fast Delivery Service



Reduce your costs

Your plants are becoming more and more specific and complex. Therefore, you have to stock many required components in your warehouse. With Fast Delivery, you receive complete assembled products – and can significantly minimise your purchasing and storage costs.



Increase your flexibility

More and more often you have to manufacture small quantities of plants and be prepared for shortterm changes. With Fast Delivery, you get individual terminal strips and enclosures from batch size 1 – and you receive them ready for installation. This increases your flexibility.



Meet your delivery commitments

You must complete and deliver your individual plants within tight time frames. Otherwise, your customers face high costs due to delays and production downtimes. With Fast Delivery, you can speed up all your processes and reliably meet your delivery commitments.

With Klippon® Services you benefit from optimal support “Engineer to Order” – applications, based on your design

In a globally-orientated world, automation technology functions are becoming more complex by facing ambitious goals toward energy efficiency and smart production. We are your reliable partner for the best connections in Industrial Connectivity with our standard or customised products.



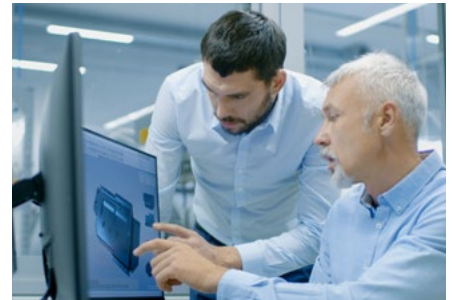
Planning

You can rely on the support of our worldwide network of industrial managers, who know the challenges you face and who can assist with your particular applications.



Engineering

After receiving your requirements, our experts analyse together with you the individual application and start the development process.



Worldwide engineering network

Within our global engineering network, we are combining our expertise with your requirements – worldwide. This expertise allows us to assist you with advice and planning support toward resolving together the everyday challenges of your applications.

Klippon® Services – plan, install, operate

Individual projects need “Customised Solutions”

Our drive is your efficiency. Therefore we accompany you in all phases of your individual project and continuously develop our Klippon® Services product range. Throughout the entire duration of the project, professional project management is at your side so that you know that your products are in good hands up to delivery and beyond. The result are tailor-made products that are precisely tailored to the specific requirements of your project.

Consulting

Our application experts advise you on the development of your individual project solution.



Designing and Prototyping

Engineers create design studies and prototypes together with our experienced designers.



Planning

A flexible, automatised production process ensures high quality products, whether standard or customised.



Operation

Count on our solution-orientated after sales service combined with a complete traceability of the assembled products.



Installation

Reduce your single part orders and stock while we focus on your final product.



Assembly

We combine excellent products for your individual solution. Bringing added value for you and your customers.

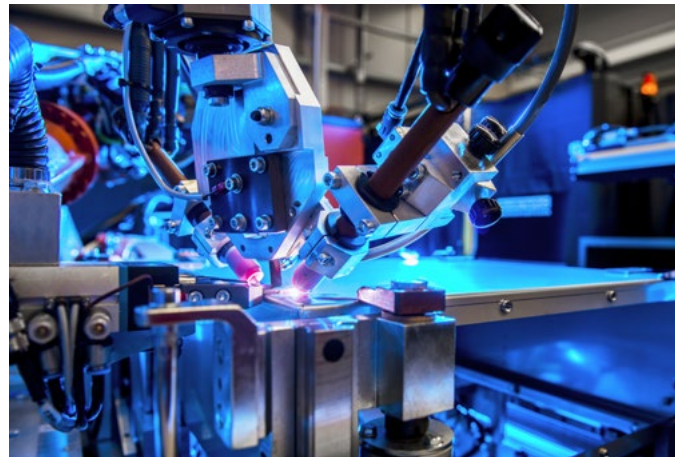
Manufacturing expertise at the highest level

Precision and reliability for your products

Our engineering and manufacturing expertise influences decisions in all areas of modern connection technology. It therefore plays an integral part of every solution. A variety of customised configurations can be constructed and produced at our worldwide assembly facilities according to individual requirements. All this based on maximum process and manufacturing reliability.



Continuous data management enables automated production and makes Industry 4.0 tangible.



Automated processes – here shown for our Klippon® TB enclosure range – ensures a reliable and consistent production process.



Whether you need modified products, pre-assembled terminal rails or complete devices for individual applications: we produce the solutions developed for your application quickly and flexibly.



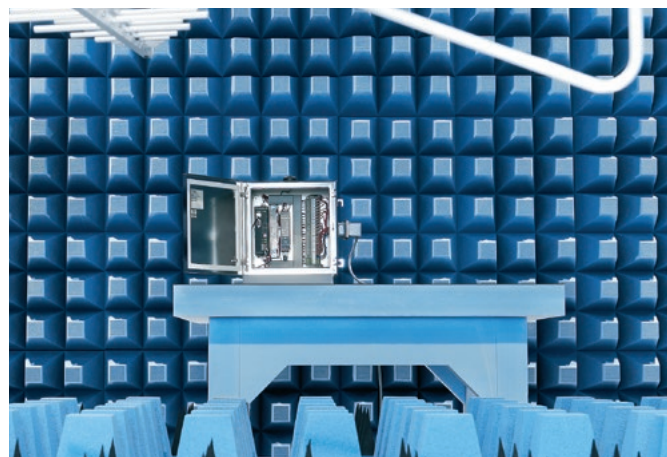
When quality is the key

You demand perfection – we take care of every detail

In the face of the international competition, you demand that all your equipment meets high safety, quality, and performance standards. Our products and services will support you to achieve these goals. We support you to advance new ideas that provide real value for your plant operation. After over 50 years of experience, we can determine the ideal combination of electrotechnical components which best suit your plant. We take into account your plant's specific conditions, including the local standards at its operation site. That's our definition of service.



Our laboratory assures the high quality and functionality of products.



Right from the start, we check exactly which components, materials, and systems are suitable for your application.



With our state-of-the-art processing technology, we ensure the highest quality during production and assembly.



We guarantee fast, quality-orientated production and order-ready product availability.

Klippon® Protect

| | | |
|-------------------------|-------------------------|-----|
| Klippon® Protect | Universal program | B.2 |
| | Application program | B.4 |
| | Industrial applications | B.6 |

Klippon® Protect

Safety and protection for connection solutions

B

We designed the Klippon® Protect enclosure ranges to satisfy the extraordinary protection requirements for field applications. They provide outstanding high-performance features that satisfy the toughest demands within every industry and every application. The universal enclosures Klippon® Protect are made of stainless steel, aluminium, or plastic. Either one guarantees excellent protection for your assembly. With these robust enclosures, you can implement various field applications to suit your requirements. The matching system accessories enable simple integration, expansion, and customisation.

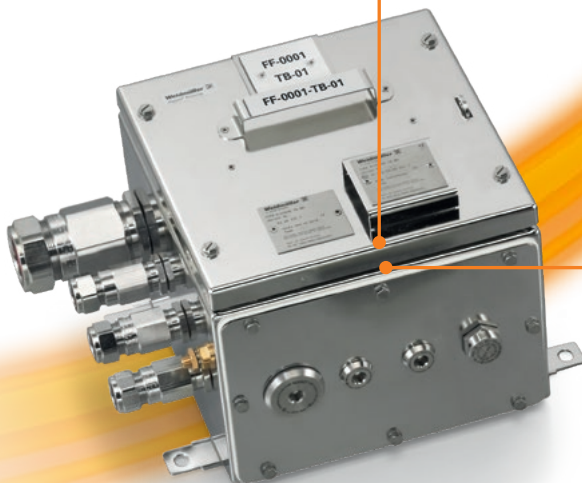
Your special advantages:

- Innovative enclosure concepts for outstanding performance even under extreme environmental conditions
- Robust and secure enclosure with optimised sealing system for the most stringent of protection requirements
- Klippon® Protect products are approved based on the most stringent international quality and safety standards



Reliable protection

The Klippon® TB has an integrated duct keeping contamination and moisture from penetrating when the enclosure is open. The outer earthing bolt is equipped with an IP67-certified seal mechanism and is protected against accidental rotation.



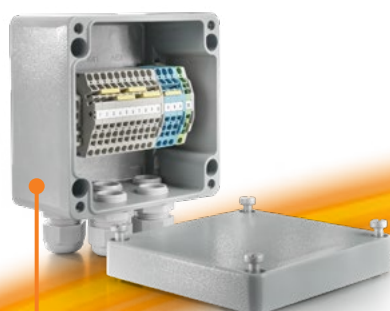
Temperature and sealing characteristics

All Klippon® TB and Klippon® STB enclosures are equipped with a silicone seal. It protects applications in extreme temperature conditions.

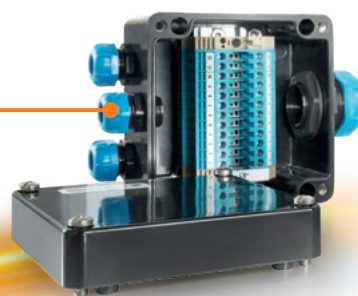




Versatile lid design
The TBF, FPC and MPC enclosures are available with either transparent or grey lids.



High IP protection
The Klippon® K aluminium enclosures are equipped with fully closed seals without adhesive points. The seal ensures an IP protection level from IP66 and up to IP68 – subject to use.



Closed moulded gaskets
The Klippon® POK polyester enclosures gaskets are made of either silicone or chloroprene. The robust and secure sealing enhances ingress protection and increases the performance of each enclosure.



Cable Glands and Cable Entry Systems: perfectly fulfilling your application needs

We offer a variety of add-on components such as cable glands for a multitude of purposes and applications in addition to our extensive Klippon® Protect range. The supplementary cable entry system Cabtite allows connecting a pre-assembled cable to an installation enclosure or cabinet.

Klippon® Protect

Proven solutions for your application

B

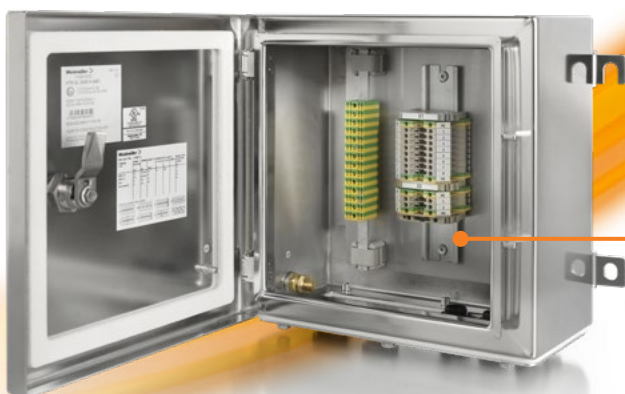
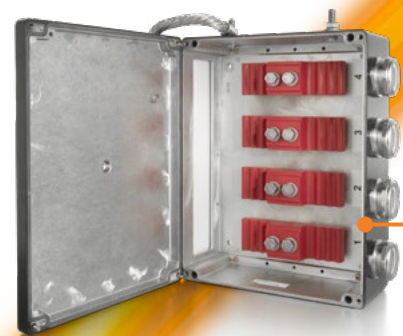
The Klippon® Protect solutions offer a wide range of standard industrial applications and explosive environments applications. The following overview of our Klippon® Protect range will give you an insight into its possibilities, including finding an individual solution.

Application range

Our Klippon® Protect application range provides solutions for monitoring and safety, measurement and control technology, and power distribution. These application solutions are based on high quality and comprehensive approvals for explosive risk zones.

Your special advantages:

- Terminal boxes, command and signalling devices as well as electronic boxes in a consistent enclosure design
- Extremely wide range of standard solutions for maximal safety, reliable functionality and low follow-up costs for maintenance, replacement and storage
- Certified to international standards for explosive risk zones and standard industrial applications such as automation, transportation and energy



Power distribution boxes and interfaces

In a complex environment, the efficient and reliable distribution of electrical energy requires optimally designed interface solutions that respond to the special features of the application. Our high-current terminal solutions offer an excellent interplay with our certified terminals with weather-resistant Klippon® Protect enclosures.

Monitoring and Safety

Through the assembly of units, we provide a myriad of monitoring and safety solutions; including proximeters for vibration measurement, temperature transmitters for monitoring of operating temperature, and eddy current sensors for non-contact distance measurement chains.



Klippon® Protect

B

Measurement and Control systems

Tailored to your respective requirements, the Klippon® Control Station combines control devices and status displays with various electronic components. You receive a turnkey plug-and-play solution – including all required approvals.



Harmonisation – the key to market success

Klippon® Protect is individually tailored to meet the changing and extremely harsh environments of the different industries. Certified to international standards, they also meet the latest ATEX and IECEX regulations for potentially explosive atmospheres in process industries. They have certifications for use in various standard industrial applications, such as automation, railway, transportation, and energy.

Benefit from innovative automation concepts as a success factor Klippon® products for better performance and more efficient processes

B

The advancing digitalisation of industrial manufacturing processes places ever higher demands on automation technology. Decentralised systems with high flexibility and easy operation are trend. System design, installation process, and plant operation are becoming more complex.

Klippon® products and services are optimally adapted to the requirements of modern automation concepts. They combine highest quality with excellent flexibility and performance – and thus become an integral part of your automation solutions. In the versatile Klippon® product portfolio you will find everything you need to optimise your production systems. The choice is yours.

Your special advantages:

- Wide range of products and services for every application
- Optimised for convenient planning, simple installation and efficient maintenance
- Highest product quality for reliable function and high durability
- Tested safety and conformity to standards
- Perfectly suited for flexible, decentralised automation concepts





Klippon® K

Klippon® K aluminium enclosures ensure a high level of system availability as well as the quick commissioning of your machines. Excellent shock, vibration, and temperature resistance combined with corrosion-resistant materials and surfaces make these enclosures particularly secure and long-lasting.



Klippon® EBi

Klippon® EBi stainless steel enclosures are suitable for both indoor and outdoor use, and can be combined with Klippon® Connect and Klippon® Protect components. They are extremely corrosion resistant and insensitive to dust and spray water. Ideally suited to the decentralised control of your system.



Cabtite

The Cabtite cable management system allows for quick cabling adjustment in the event of system modifications or during service and maintenance work. Modular components guarantee maximum flexibility while simultaneously ensuring a high level of protection.

Increase efficiency and reliability in transportation

Klippon® Protect enclosure solutions for the mobility of the future

B

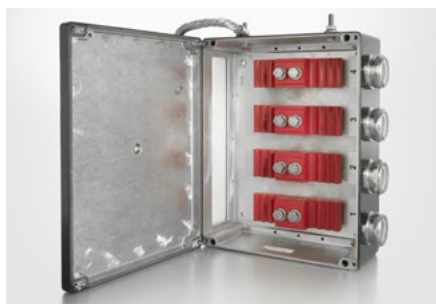
Mobility is becoming more and more important within our society. Increasing globalisation is also bringing rapid growth in the transportation of people and goods between continents. As a result, there is demand for particularly efficient and reliable solutions in the transportation sector.

With secure connection solutions and tailor-made, individually configurable components, we are making a decisive contribution to the transport of the future. Our solutions are certified to the latest industry standards. They are produced using state-of-the-art manufacturing methods and stand for quality, durability and reliability.

Your special advantages:

- Particularly robust and long-lasting solutions
- Future-proof thanks to certification to the latest industry standards
- Resistant to an extremely wide range of external influences
- Optimally suited to the harsh environments typical of the rail and shipping industries
- Versatile use in the entire transport sector





High-current terminal solutions

Our high-current terminals are resistant to vibration, shock, and climatic conditions, making them ideal for use in engine compartments or on train bogies, for example. They can withstand large mechanical stresses and are characterised by their high electromagnetic compatibility.



Klippon® K

Our robust and resistant enclosures feature IP protection from IP66 to IP68, according to requirements. The customer-specific production in our Application Centers ensures quick assembly and a low risk of failure.



Klippon® STB

Extreme stability and corrosion resistance ensure the secure protection of devices and control components even in the harsh environments that are typical of the rail and shipping industries. Optimal sealing properties allow for use in extreme temperature ranges of between -60°C and +100°C.

Comply with international standards in the energy supply sector

Efficient and safe solutions with Klippon®

B

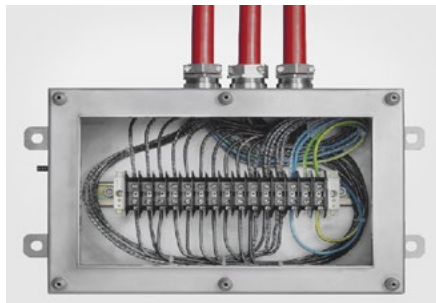
Alongside renewable energies such as wind and solar, the generation of energy from gas, coal and nuclear power will remain a key part of the world's energy mix for a long time to come. Our range of products therefore also features solutions for the specific requirements of the traditional energy sector.

With our complete solutions for all types of energy generation and supply, we can help you to guarantee the safe and reliable operation of your systems while also ensuring maximum availability. We provide you with the right Klippon® products for industrial solutions, harsh environments, explosive risk zones and safety-relevant applications – naturally with all of the market-specific certifications and approvals.

Your special advantages:

- International approvals and certifications
- Modified products for industry-specific requirements
- High resistance to weathering and corrosion
- Resistance to vibration, shock, and climatic conditions
- Compliance with explosion protection guidelines





Customer-specific solutions

Klippon® products are modified, assembled and approved in line with the respective sector. They comply with all of the required standards and guidelines on explosion protection and are resistant to vibrations, shock, and climatic conditions. For safe use in containment or non-containment areas.



Robust plastic enclosure

Klippon® plastic enclosures are extremely resistant to weather and corrosion, making them perfectly suited for use in the photovoltaic sector. International approvals and standards guarantee maximum security.



Intelligent accessories

Cable glands in protection classes IP54 to IP66, IP67 and IP69k are available as accessories. These cable glands are suitable for the most diverse applications and also cover high temperature ranges.

Safely control work processes in hazardous areas on site Certified Klippon® Protect control and display elements

B

Global demand for energy sources is on the rise. This presents a range of new challenges for the process industry: from research into new energy sources through to their processing and consumption.

Klippon® products satisfy these requirements with innovative technologies and active safety concepts. They ensure secure connections between the interfaces for different areas and guarantee safe, effective, and sustainable operation within the processes. Klippon® Protect control and display elements support all areas of automation within the process industry.

Your special advantages:

- Innovative control and display elements for an extremely wide range of automation applications
- Robust enclosure solutions with comprehensive protection for the assembled components
- Convenient independent engineering with the Weidmüller Configurator
- Professional advice during the engineering process on request
- Certified products that comply with the latest local and international standards including ATEX and IECEx.





Klippon® Control Station
 The robust "on-site control station" is available in customer-specific optimised versions, with different enclosure materials and assembled components. Perfect for individual project solutions with international approvals for explosive risk zones.



Klippon® TB
 The robust enclosures with electro-polished surfaces are perfectly suited to harsh environments, e.g. for use as distributor enclosures in offshore, food and beverage applications. The sealing system can withstand high operating temperatures and offers IP66/67 protection against moisture and dust.



Klippon® Services
 Order specific enclosure solutions with explosion protection for your application, and make the most of the professional consulting and engineering services offered by our advisors – or carry out the engineering work yourself using the Weidmüller Configurator.

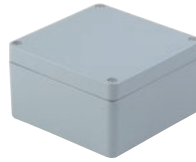
Enclosures

| | | |
|-------------------|--|-------|
| Enclosures | Introduction | C.2 |
| | Klippon® TB enclosure series | C.10 |
| | Klippon® TB MH - Multi Hinge | C.12 |
| | Klippon® TB QL - Quarter Lock | C.38 |
| | Klippon® TB FS - Fixing Screw | C.40 |
| | Klippon® Protect - Terminal Boxes Steel - Klippon® TB | C.42 |
| | Klippon® EBi QL - Quarter Lock | C.48 |
| | Klippon® STB - Sheet steel enclosures | C.64 |
| | Klippon® Protect - Terminal Boxes Steel - Klippon® STB | C.76 |
| | Klippon® Control Station - Steel enclosures - Klippon® STB | C.82 |
| | Klippon® K - Aluminium enclosures | C.92 |
| | Klippon® Protect - Terminal Boxes Aluminium - Klippon® K | C.116 |
| | Klippon® Control Station - Aluminium enclosures - Klippon® K | C.118 |
| | Klippon® PDK - Polyester enclosures | C.128 |
| | Klippon® Protect - Terminal Boxes Polyester - Klippon® PDK | C.150 |
| | Klippon® Control Station - Polyester enclosures - Klippon® PDK | C.158 |
| | TBF - Polyester enclosures | C.168 |
| | MPC - Polycarbonate enclosures | C.176 |
| | FPC - Polycarbonate enclosures | C.184 |

Metal enclosures




| | Klippon® TB MH | Klippon® TB QL | Klippon® TB FS | Klippon® EBi QL |
|---------------------------------|--|---|---|--|
| | | | | |
| Material | Stainless steel | Stainless steel | Stainless steel | Stainless steel |
| Material Specification | Stainless steel 1.4404 (316L), enclosure 1.50 mm | Stainless steel 1.4404 (316L), enclosure 1.50 mm | Stainless steel 1.4404 (316L), enclosure 1.50 mm | Stainless steel 1.4301 (304), enclosure 1.50 mm, (1.25 mm) |
| Sea water resistance | very good | very good | very good | very good |
| UV resistance | very good | very good | very good | very good |
| Halogen free / cadmium free | x / x | x / x | x / x | x / x |
| Surface finish | electropolished | electropolished | electropolished | Brushed - grain size 240 |
| Intended use | Explosive hazard areas, offshore, oil and gas industry, chemical industry, process industry | Explosive hazard areas, offshore, oil and gas industry, chemical industry, process industry | Explosive hazard areas, offshore, oil and gas industry, chemical industry, process industry | Machine construction, transport, power |
| Dimensions | | | | |
| H x W x D (min.) in mm | 229x152x133 | 229x152x133 | 229x152x133 | 300x200x150 |
| H x W x D (max.) in mm | 980x740x200 | 980x740x200 | 980x740x200 | 800x600x220 |
| Geometry | 3 standard depths | 3 standard depths | 3 standard depths | 2 standard depths |
| Specific characteristics | | | | |
| Gland plates | 0,1,2,3,4 | 0,1,2,3,4 | 0,1,2,3,4 | 0,1 |
| Type of gasket | Flat gasket | Flat gasket | Flat gasket | Flat gasket and foam seal |
| Seal material | Silicone | Silicone | Silicone | EPDM, polyurethane (PUR) foam |
| Enclosure attachment | 4 or 6 mounting feet with 11 mm hole size | 4 or 6 mounting feet with 11 mm hole size | 4 or 6 mounting feet with 11 mm hole size | Direct mounting (9 mm mounting holes on rear wall) or via mounting feet (optionally available) |
| Installation mounting | 4 or 6 mounting bolts with M6 threaded holes | 4 or 6 mounting bolts with M6 threaded holes | 4 or 6 mounting bolts with M6 threaded holes | Welded mounting bracket |
| Temperature range | -60 °C...+135 °C (IP66) -60 °C...+105 °C (IP67) | -60 °C...+135 °C | -60 °C...+135 °C (IP66) -60 °C...+105 °C (IP67) | -40 °C...+85 °C |
| Impact resistance | IK 09 (10J) in accordance with DIN EN 50102 / 7J in accordance with IEC 60079-0 | IK 09 (10J) in accordance with DIN EN 50102 / 7J in accordance with IEC 60079-0 | IK 09 (10J) in accordance with DIN EN 50102 / 7J in accordance with IEC 60079-0 | IK 09 (10J) in accordance with IEC 62208 |
| IP - protection class | IP66, IP67 / | IP66 / | IP66, IP67 / | IP66 / |
| NEMA protection class | Nema 3, Nema 4x, Nema 12 | Nema 3, Nema 4x, Nema 12 | Nema 3, Nema 4x, Nema 12 | Nema 3, Nema 4x, Nema 5 |
| Flammability rating | | | | |
| Surface resistance (in ohms) | | | | |
| Approvals | | | | |
| ATEX | x | x | x | |
| AEx | x | x | x | |
| CCOE / INMETRO | In preparation / x | In preparation / x | In preparation / x | |
| cULus | x | x | x | x |
| EAC | x | x | x | |
| IECEX | x | x | x | |
| NEPSI / KOSHA | x / x | x / x | x / x | |
| RMR / LR / DNV GL | x / - / x | x / - / x | x / - / x | - / - / x |
| Configuration | Lid hinges Removable lid Gland plates Welded mounting feet Fitting for a padlock | Lid hinges Gland plates Welded mounting feet Quarter lock | Removable lid Gland plates Welded mounting feet | Lid hinges Gland plates Direct mounting, Optional mounting feet Quarter lock |



| | Klippon® STB | | Klippon® K | |
|---------------------------------|--|--|---|---|
| | | | | |
| Material | Stainless steel | Sheet steel | Aluminium | |
| Material Specification | Stainless steel 1.4404 (316L) 1.50 mm | Powder-coated steel sheet 1.0330 | High quality aluminium alloy (Al-Si12) | |
| Sea water resistance | very good | good | good | |
| UV resistance | very good | insufficient | very good | |
| Halogen free / cadmium free | x / x | x / x | x / x | |
| Surface finish | electropolished, Mirror-polish | powder-coated | neutral, powder-coated | |
| Intended use | Ex areas, packing industry, railways, shipping, process industry | Packing industry, railways, shipping, process industry | Ex-areas, process industry, transport, railways, shipping, port facilities, packaging, mechanical engineering | |
| Dimensions | | | | |
| H x W x D (min.) in mm | 120x120x80 | | 50x45x30 | |
| H x W x D (max.) in mm | 250x400x130 | | 230x280x111 | |
| Geometry | 5 standard depths | | 11 standard depths | |
| Specific characteristics | Ex-version | Industrial version | Ex-version | Industrial version |
| Gland plates | none | none | none | none |
| Type of gasket | Flat gasket | Flat gasket | Shaped gasket | Shaped gasket |
| Seal material | Silicone | Silicone | Silicone | Chloroprene, Silicone |
| Enclosure attachment | External holders with 8 mm holes | External holders with 8 mm holes | 4 holes for M4 to M6 screws | 4 holes for M4 to M6 screws |
| Installation mounting | 20 mm C-rail welded to the enclosure | 20 mm C-rail welded to the enclosure | M4 to M6 threaded holes | M4 to M6 threaded holes |
| Temperature range | -60 °C...+100 °C | -60 °C...+120 °C | -60 °C...+135 °C | -40 °C...+80 °C (CR); -60 °C...+135 °C (VMQ) |
| Impact resistance | 7J in accordance with IEC 60079-0 | IK 09 (10J) in accordance with DIN EN 50102 | 7J in accordance with IEC 60079-0 | IK 09 (10J) in accordance with DIN EN 50102 |
| IP - protection class | IP66 / | IP66 | IP66, IP67 / | IP66, IP67, IP68 / |
| NEMA protection class | Nema 4, 4x | | Nema 4x | Nema 4x |
| Flammability rating | | | | |
| Surface resistance (in ohms) | | | | |
| Approvals | | | | |
| ATEX | x | | x | |
| AEx | x | | | |
| CCOE / INMETRO | - / x | | | |
| cULus | x | | | x |
| EAC | x | | x | x |
| IECEX | x | | x | |
| NEPSI / KOSHA | - / x | | | |
| RMR / LR / DNV GL | x / x / x | x / x / - | x / - / x | x / - / x |
| Configuration | TAS 20 C-profile rail Welded mounting feet Earth studs in enclosure lid and base | | Internal earthing screw in the enclosure base an external earth stud | internal earthing screw in the enclosure base |

Plastic enclosures



| | Klippon® POK | | TBF | MPC | FPC |
|---------------------------------|---|--|--|--|--|
| |  | | | | |
| Material | Polyester | | Polyester | Polycarbonate | Polycarbonate |
| Material Specification | Glass-fibre reinforced polyester in accordance with DIN 16913 | | Glass-fibre reinforced polyester, polycarbonate transparent cover | | |
| Sea water resistance | very good | | very good | very good | very good |
| UV resistance | good | | good | good | good |
| Halogen free / cadmium free | x / x | | x / x | x / x | x / x |
| Surface finish | Grey (industrial version), Black (Ex version) | | grey | grey | grey |
| Intended use | Ex-areas, energy production, transportation, process industries, port facilities | | Building installation, transportation, energy production, building sites, manufacturing industry, packaging industry | Building installation, transportation, energy production, building sites, manufacturing industry, packaging industry | Building installation, transportation, energy production, building sites, manufacturing industry, packaging industry |
| Dimensions | | | | | |
| H x W x D (min.) in mm | 75x80x55 | | 186x151x140 | 125x75x75 | 200x200x132 |
| H x W x D (max.) in mm | 250x600x120 | | 603x603x175/210 | 250x175x150 | 600x400x132 |
| Geometry | 5 standard depths | | 3 standard depths | 4 standard depths | 1 standard depth |
| Specific characteristics | Ex version (Black) | Industrial version (grey) | | | |
| Gland plates | none | none | none | none | none |
| Type of gasket | Shaped seal | Shaped seal | O-ring | Foam seal | Foam seal |
| Seal material | Silicone | Chloroprene | Polyurethane | Polyurethane | Polyurethane |
| Enclosure attachment | 4 holes for M4 to M6 screws | 4 holes for M4 to M6 screws | 4 holes or external mounting brackets (accessory) | 4 holes or external mounting brackets (accessory) | 4 holes or external mounting brackets (accessory) |
| Installation mounting | M4 to M6 threaded holes | M4 to M6 threaded holes | 4 or 6 clamping screws M4 | Self-tapping screws | Self-tapping screws |
| Temperature range | -55 °C...+100 °C | -40 °C...+100 °C | -50 °C...+130 °C (Continuous temperature max. 70 °C) (grey); -35 °C ...+120 °C ((Continuous temperature max. 70 °C) (transparent) | -50 °C...+100 °C (grey); -40 °C...+60 °C (transparent) | -50 °C...+100 °C (grey); -40 °C...+60 °C (transparent) |
| Impact resistance | 7J in accordance with IEC 60079-0 | IK 08 (5J) in accordance with DIN EN 50102 | IK08 (5J) in accordance with IEC 62208, IK10 (20J) in accordance with IEC 62262 | IK 08 (grey), IK 06 (transparent) | IK 08 (grey), IK 06 (transparent) |
| IP - protection class | IP66 | IP66 | IP66 (transparent lid) IP67 (grey lid) | IP66, IP67 | IP66, IP67 |
| Flammability rating | UL94 V0 | UL94 V0 | UL94 HB (grey), V2 (transparent) | V2 | V2 |
| Surface resistance (in ohms) | <10 ⁹ | 10 ¹² | 10 ¹² | 10 ¹⁶ | 10 ¹⁶ |
| Approvals | | | | | |
| ATEX | x | | | | |
| AEx | x | | | | |
| CCOE / INMETRO | | | | | |
| EAC | x | x | | | |
| cULus | x | x | | | |
| IECEX | x | | | | |
| NEPSI / KOSHA | - / x | | | | |
| RMR / LR / DNV GL | x / x / x | - / x / x | | | |
| Configuration | Fastening screws for the mounting plate | | grey or transparent lid | grey or transparent lid | grey or transparent lid |

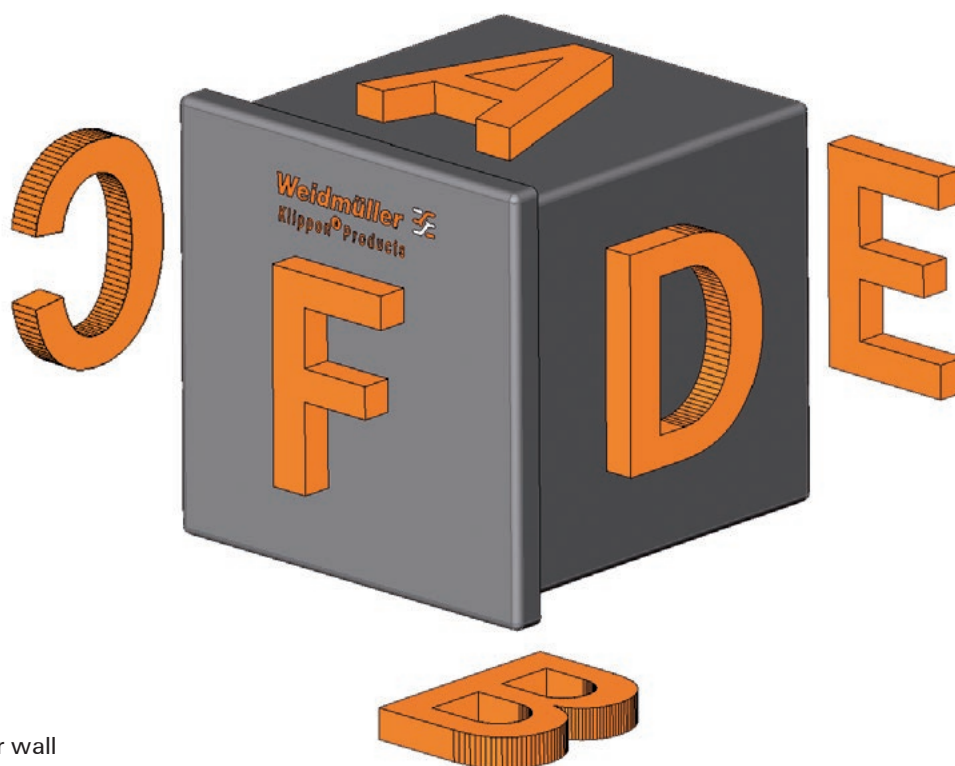
Drawing design – For chapter C

The drawings contained in chapter C are constructed in the following way.

To identify the enclosure side views, these are marked with the letters A, B, C, D, E, and F. The schematic 3D representations shown underneath are of an enclosure that has been wall mounted.

- F** shows the view of the enclosure lid (front aspect),
- E** shows the interior surface of the enclosure (rear wall of the enclosure with the cover removed).
- A** shows the view of the enclosure from above and
- B** the view of the enclosure from underneath.
- C** shows the left and
- D** the right side of the enclosure.
- E** is the front view of the enclosure interior with the cover removed (enclosure rear wall).









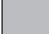
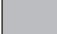
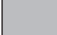



You can find the dimensions of the enclosure sides for all enclosure sizes in each drawing.



- A** = Top
- B** = Bottom
- C** = Left
- D** = Right
- E** = Enclosure rear wall
- F** = Enclosure lid



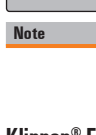
Overview of dimensions

**Klippon® TB MH – Multi Hinge /
Klippon® TB QL – Quarter Lock / Klippon® TB FS – Fixing Screw** Page C.10

| | | Dimensions in mm Height x width x depth |
|---|--|--|
|  | Klippon® TB MH Klippon® TB QL Klippon® TB FS | 229 x 152 x 133 |
|  | Klippon® TB MH Klippon® TB QL Klippon® TB FS | 260 x 260 x 150 |
|  | Klippon® TB MH Klippon® TB QL Klippon® TB FS | 260 x 260 x 200 |
|  | Klippon® TB MH Klippon® TB QL Klippon® TB FS | 306 x 306 x 150 |
|  | Klippon® TB MH Klippon® TB QL Klippon® TB FS | 306 x 306 x 200 |
|  | Klippon® TB MH Klippon® TB QL Klippon® TB FS | 350 x 260 x 150 |
|  | Klippon® TB MH Klippon® TB QL Klippon® TB FS | 350 x 260 x 200 |
|  | Klippon® TB MH Klippon® TB QL Klippon® TB FS | 400 x 300 x 150 |
|  | Klippon® TB MH Klippon® TB QL Klippon® TB FS | 400 x 300 x 200 |
|  | Klippon® TB MH Klippon® TB QL Klippon® TB FS | 458 x 382 x 150 |
|  | Klippon® TB MH Klippon® TB QL Klippon® TB FS | 458 x 382 x 200 |
|  | Klippon® TB MH Klippon® TB QL Klippon® TB FS | 480 x 480 x 150 |
|  | Klippon® TB MH Klippon® TB QL Klippon® TB FS | 480 x 480 x 200 |
|  | Klippon® TB MH Klippon® TB QL Klippon® TB FS | 550 x 350 x 150 |
| | Klippon® TB MH Klippon® TB QL Klippon® TB FS | 550 x 350 x 200 |
| | Klippon® TB MH Klippon® TB QL Klippon® TB FS | 620 x 450 x 150 |
| | Klippon® TB MH Klippon® TB QL Klippon® TB FS | 620 x 450 x 200 |
| | Klippon® TB MH Klippon® TB QL Klippon® TB FS | 762 x 508 x 150 |
| | Klippon® TB MH Klippon® TB QL Klippon® TB FS | 762 x 508 x 200 |



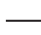








Note Additional enclosure sizes available on request.

**Klippon® TB MH – Multi Hinge /
Klippon® TB QL – Quarter Lock / Klippon® TB FS – Fixing Screw** Page C.10

| | | Dimensions in mm Height x width x depth |
|---|--|--|
|  | Klippon® TB MH Klippon® TB QL Klippon® TB FS | 914 x 610 x 150 |
|  | Klippon® TB MH Klippon® TB QL Klippon® TB FS | 914 x 610 x 200 |
|  | Klippon® TB MH Klippon® TB QL Klippon® TB FS | 980 x 740 x 200 |

Note Additional enclosure sizes available on request.









Klippon® EBi QL – Quarter Lock Page C.48

| | | Dimensions in mm Height x width x depth |
|---|-----------------|--|
|  | Klippon® EBi QL | 300 x 200 x 150 |
|  | Klippon® EBi QL | 300 x 300 x 150 |
|  | Klippon® EBi QL | 300 x 300 x 220 |
|  | Klippon® EBi QL | 400 x 300 x 150 |
|  | Klippon® EBi QL | 400 x 300 x 220 |
|  | Klippon® EBi QL | 400 x 400 x 220 |
|  | Klippon® EBi QL | 500 x 400 x 220 |
|  | Klippon® EBi QL | 500 x 500 x 220 |
|  | Klippon® EBi QL | 600 x 400 x 220 |
|  | Klippon® EBi QL | 600 x 600 x 220 |
|  | Klippon® EBi QL | 800 x 600 x 220 |

Note Additional enclosure sizes available on request.

Klippon® STB






Page C.64

| | | Dimensions in mm Height x width x depth |
|---|---|--|
|  | 1.4404 (316L), mirror polished 1.4404 (316L), electropolished MS RAL 7032 | 120 x 120 x 80 |
|  | 1.4404 (316L), mirror polished 1.4404 (316L), electropolished MS RAL 7032 | 150 x 120 x 80 |
|  | 1.4404 (316L), mirror polished 1.4404 (316L), electropolished MS RAL 7032 | 150 x 150 x 90 |
|  | 1.4404 (316L), mirror polished 1.4404 (316L), electropolished MS RAL 7032 | 190 x 150 x 90 |
|  | 1.4404 (316L), mirror polished 1.4404 (316L), electropolished MS RAL 7032 | 190 x 190 x 100 |
|  | 1.4404 (316L), mirror polished 1.4404 (316L), electropolished MS RAL 7032 | 250 x 250 x 120 |
|  | 1.4404 (316L), mirror polished 1.4404 (316L), electropolished MS RAL 7032 | 160 x 380 x 120 |
|  | 1.4404 (316L), mirror polished 1.4404 (316L), electropolished MS RAL 7032 | 250 x 400 x 130 |

Information on the net weight of the enclosures can be found in the online catalogue. MS: Mild steel

Klippon® K











Page C.92

| | | Dimensions in mm Height x width x depth |
|---|---|--|
|  | unpainted (S) unpainted (CR) RAL 7001 (CR) RAL 7001 (S) | 45 x 50 x 30 |
|  | unpainted (S) unpainted (CR) RAL 7001 (CR) RAL 7001 (S) | 64 x 58 x 34 |
|  | unpainted (S) unpainted (CR) RAL 7001 (CR) RAL 7001 (S) | 64 x 98 x 34 |
|  | unpainted Ex (S) unpainted (CR) unpainted (S) RAL 7001 Ex (S) RAL 7001 (CR) RAL 7001 (S) | 70 x 70 x 45 |
|  | unpainted Ex (S) unpainted (CR) unpainted (S) RAL 7001 Ex (S) RAL 7001 (CR) RAL 7001 (S) | 80 x 75 x 57 |

Information on the net weight of the enclosures can be found in the online catalogue.

Klippon® K

Page C.92

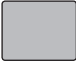


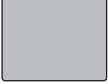
| | | Dimensions in mm Height x width x depth |
|---|---|--|
|  | unpainted Ex (S) unpainted (CR) unpainted (S) RAL 7001 Ex (S) RAL 7001 (CR) RAL 7001 (S) | 70 x 100 x 45 |
|  | unpainted Ex (S) unpainted (CR) unpainted (S) RAL 7001 Ex (S) RAL 7001 (CR) RAL 7001 (S) | 80 x 125 x 57 |
|  | unpainted Ex (S) unpainted (CR) unpainted (S) RAL 7001 Ex (S) RAL 7001 (CR) RAL 7001 (S) | 70 x 165 x 45 |
|  | unpainted Ex (S) unpainted (CR) unpainted (S) RAL 7001 Ex (S) RAL 7001 (CR) RAL 7001 (S) | 80 x 175 x 57 |
|  | unpainted Ex (S) unpainted (CR) unpainted (S) RAL 7001 Ex (S) RAL 7001 (CR) RAL 7001 (S) | 80 x 250 x 55 |
|  | unpainted Ex (S) unpainted (CR) unpainted (S) RAL 7001 Ex (S) RAL 7001 (CR) RAL 7001 (S) | 82 x 130 x 72 |
|  | unpainted Ex (S) unpainted (CR) unpainted (S) RAL 7001 Ex (S) RAL 7001 (CR) RAL 7001 (S) | 120 x 122 x 81 |
|  | unpainted Ex (S) unpainted (CR) unpainted (S) RAL 7001 Ex (S) RAL 7001 (CR) RAL 7001 (S) | 130 x 170 x 90 |
|  | unpainted Ex (S) unpainted (CR) unpainted (S) RAL 7001 Ex (S) RAL 7001 (CR) RAL 7001 (S) | 120 x 220 x 81 |
|  | unpainted Ex (S) unpainted (CR) unpainted (S) RAL 7001 Ex (S) RAL 7001 (CR) RAL 7001 (S) | 160 x 160 x 91 |

Information on the net weight of the enclosures can be found in the online catalogue.

Overview of dimensions

Klippon® K






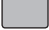

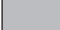
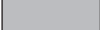
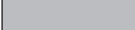
Page C.92

| | | Dimensions in mm Height x width x depth |
|--|---|--|
|  | unpainted Ex (S) unpainted (CR) unpainted (S) RAL 7001 Ex (S) RAL 7001 (CR) RAL 7001 (S) | 160 x 200 x 100 |
|  | unpainted Ex (S) unpainted (CR) unpainted (S) RAL 7001 Ex (S) RAL 7001 (CR) RAL 7001 (S) | 160 x 260 x 91 |
|  | unpainted Ex (S) unpainted (CR) unpainted (S) RAL 7001 Ex (S) RAL 7001 (CR) RAL 7001 (S) | 160 x 350 x 100 |
|  | unpainted Ex (S) unpainted (CR) unpainted (S) RAL 7001 Ex (S) RAL 7001 (CR) RAL 7001 (S) | 230 x 280 x 111 |

Information on the net weight of the enclosures can be found in the online catalogue.

Klippon® POK

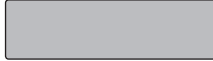






Page C.128

| | | Dimensions in mm Height x width x depth |
|---|----------------------|--|
|  | RAL 7001 RAL 9011 | 75 x 80 x 56 |
|  | RAL 7001 RAL 9011 | 75 x 110 x 55 |
|  | RAL 7001 RAL 9011 | 75 x 160 x 55 |
|  | RAL 7001 RAL 9011 | 75 x 190 x 55 |
|  | RAL 7001 RAL 9011 | 75 x 230 x 55 |
|  | RAL 7001 RAL 9011 | 120 x 122 x 91 |
|  | RAL 7001 RAL 9011 | 120 x 220 x 91 |
|  | RAL 7001 RAL 9011 | 160 x 160 x 91 |
|  | RAL 7001 RAL 9011 | 160 x 260 x 91 |
|  | RAL 7001 RAL 9011 | 160 x 360 x 91 |

Information on the net weight of the enclosures can be found in the online catalogue.

Klippon® POK





Page C.128

| | | Maße [mm] Höhe x Breite x Tiefe | Gewicht [g] |
|---|----------------------|------------------------------------|-------------|
|  | RAL 7001 RAL 9011 | 160 x 560 x 91 | |
|  | RAL 7001 RAL 9011 | 250 x 255 x 121 | |
|  | RAL 7001 RAL 9011 | 250 x 400 x 121 | |
|  | RAL 7001 RAL 9011 | 250 x 600 x 121 | |
|  | RAL 7001 RAL 9011 | 405 x 400 x 121 | |
|  | RAL 7001 RAL 9011 | 250 x 255 x 161 | |
|  | RAL 7001 RAL 9011 | 250 x 400 x 161 | |

Information on the net weight of the enclosures can be found in the online catalogue.





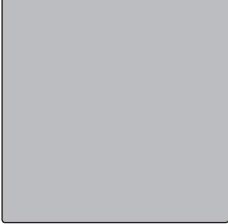
TBF

Page C.168

| | | Dimensions in mm Height x width x depth |
|---|---------------------------------------|--|
|  | grey lid (RAL7035) transparent lid | 186 x 151 x 140 |
|  | grey lid (RAL7035) transparent lid | 302 x 186 x 175 |
|  | grey lid (RAL7035) transparent lid | 302 x 302 x 175 |
|  | grey lid (RAL7035) transparent lid | 372 x 302 x 175 |








Information on the net weight of the enclosures can be found in the online catalogue.

TBF Page C.168


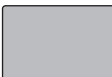
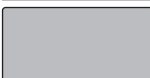



| | | Dimensions in mm Height x width x depth |
|---|---------------------------------------|--|
|  | grey lid (RAL7035) transparent lid | 488 x 302 x 175 488 x 302 x 210 |
|  | grey lid (RAL7035) transparent lid | 558 x 302 x 175 558 x 302 x 210 |
|  | grey lid (RAL7035) transparent lid | 603 x 302 x 175 603 x 302 x 210 |
|  | grey lid (RAL7035) transparent lid | 603 x 372 x 175 603 x 372 x 210 |
|  | grey lid (RAL7035) transparent lid | 603 x 605 x 175 603 x 605 x 210 |

Information on the net weight of the enclosures can be found in the online catalogue.

MPC Page C.176

| | | Dimensions in mm Height x width x depth |
|---|---------------------------------------|--|
|  | grey lid (RAL7035) transparent lid | 75 x 125 x 75 |
|  | grey lid (RAL7035) transparent lid | 75 x 125 x 100/120 |
|  | grey lid (RAL7035) transparent lid | 120 x 120 x 75/100/120 |
|  | grey lid (RAL7035) transparent lid | 120 x 175 x 75/100/120/150 |
|  | grey lid (RAL7035) transparent lid | 175 x 175 x 75 /100/120/150 |
|  | grey lid (RAL7035) transparent lid | 175 x 250 x 100 |
|  | grey lid (RAL7035) transparent lid | 180 x 250 x 75/150 |

FPC Page C.184

| | | Dimensions in mm Height x width x depth |
|--|---------------------------------------|--|
|  | grey lid (RAL7035) transparent lid | 200 x 200 x 132 |
|  | grey lid (RAL7035) transparent lid | 200 x 300 x 132 |
|  | grey lid (RAL7035) transparent lid | 200 x 400 x 132 |
|  | grey lid (RAL7035) transparent lid | 300 x 300 x 132 |
|  | grey lid (RAL7035) transparent lid | 300 x 400 x 132 |
|  | grey lid (RAL7035) transparent lid | 400 x 600 x 132 |

Information on the net weight of the enclosures can be found in the online catalogue.

Klippon® TB enclosure series

Stainless steel enclosures for use within hazardous areas

The Klippon® TB enclosure series offers excellent performance characteristics and meets the stricter requirements of hazardous areas.

The enclosures are available in twelve sizes and three standard depths. They consist of 1.4404 (316L) stainless steel and meet the requirements of the IP66 and IP67 protection classes. The enclosures are tested with this equipment to the latest international standards, including EN 62208 and EN 60079.

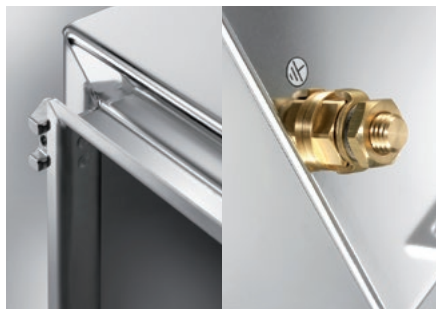
Temperature and sealing characteristics

The enclosures come standard with a silicone seal for use under extreme temperatures.



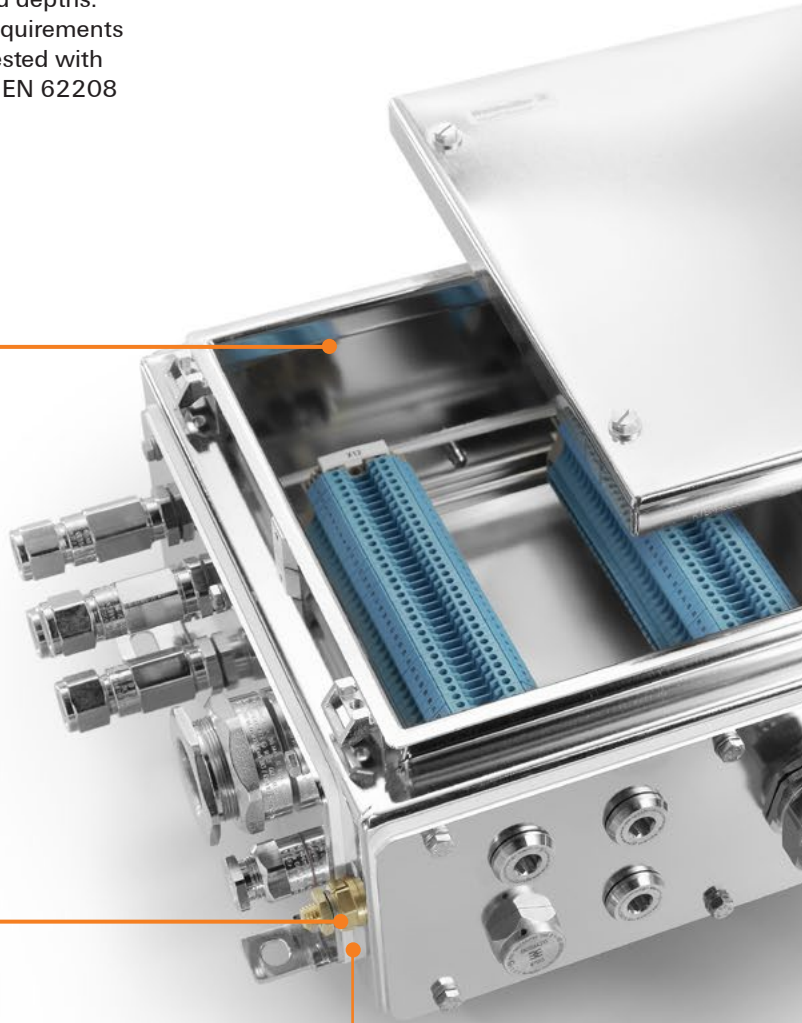
Safe protection

An integrated dust and moisture channel prevents dirt and moisture from penetrating when the enclosure is opened. The external earthing stud is equipped with an IP66/67 certified sealing mechanism and is protected against twisting.



Versatile installation options

Mounting bolts are located within the enclosure for installing rails and mounting plates. Welded-on mounting feet provide for a fast, secure and stable wall mounting.



Safety and stability

The different sealing systems prevents unauthorized access to the enclosure. Welded on inner thread sockets provide a stable attachment mechanism for gland plates and protect against leaks.



Easy installation

The enclosures are delivered with up to four gland plates so that cable glands can be easily and quickly installed and attached.



Klippon® cable glands

Our complete series of IP66 and IP68 cable glands and accessories are an excellent compliment to the Klippon® TB enclosure series. Cable glands enable the connection of armoured and unarmoured cables from M20 to M75.



Approvals

The Klippon® TB range of enclosures has been awarded international approvals.



Industrial segments

The enclosures are designed for use in a variety of applications and for use in hazardous areas in particular. Typical applications include the process industry, the petrochemicals and power generation. All enclosures are tested and approved in compliance with the latest international standards, including ATEX and IECEx according to EN 60079.



Customer-specific solutions

Weidmüller's customer-specific-service provides comprehensive consultation, engineering and installation for modified enclosures. The enclosures can be modified during the production process according to customer demands and completed with various accessory components. There is a wide range of customer specific options available, such as enclosures with pre drilled holes and cutouts, various surfaces and materials, locking options and alternative sizes. Holders for documents and rating labels, door retainers, rain shields and many more accessories can also be installed on the enclosures per customer request.



Klippon® TB MH – Multi Hinge

Steel enclosures for use in industrial and in potentially explosive atmospheres

The Klippon® TB enclosure range features excellent performance characteristics, even under the most difficult environmental conditions, and also comply with the stricter requirements of potentially explosive atmospheres found in the process or power generation industries. The Klippon® TB MH enclosure range offers further improvements to a product line that is already successfully leading the market.

Weidmüller manufactures and supplies the enclosures to match customer specifications – fully fitted with terminals, electronics and cable glands.

Features:

- Available in 12 sizes and 3 standard depths, with customer-specific sizes on request
- The gasket is protected against compression
- Completely removable padlock tab
- Cover lock outside the sealed zone
- Improved temperature performance
- IP66/IP67 protection
- Lid can be removed without a tool
- Welded mounting feet
- International approvals



i Use our online catalogue to find additional product details, technical information and additional services:
www.weidmueller.com/KlipponTB

Overview of enclosures

Ordering data

| Description | Height x width x depth in mm | 0 Gland Plates | 1 Gland Plate (below) | 2 Gland Plates (above + below) | 3 Gland plates (below + sides) | 4 Gland plates (all sides) | Reference product |
|---------------------|------------------------------|----------------|-----------------------|--------------------------------|--------------------------------|----------------------------|-------------------|
| KTB MH 221513 S4E_* | 229 x 152 x 133 | 1194550000 | 1194560000 | 1194570000 | 1194580000 | 1194590000 | Klippon® TB10 |
| KTB MH 262615 S4E_* | 260 x 260 x 150 | 1194600000 | 1194610000 | 1194620000 | 1194630000 | 1194640000 | Klippon® TB10A |
| KTB MH 262620 S4E_* | 260 x 260 x 200 | 1194650000 | 1194660000 | 1194670000 | 1194680000 | 1194690000 | Klippon® TB10A |
| KTB MH 303015 S4E_* | 306 x 306 x 150 | 1194700000 | 1194710000 | 1194720000 | 1194730000 | 1194740000 | Klippon® TB11 |
| KTB MH 303020 S4E_* | 306 x 306 x 200 | 1194750000 | 1194760000 | 1194770000 | 1194780000 | 1194790000 | Klippon® TB11 |
| KTB MH 352615 S4E_* | 350 x 260 x 150 | 1194800000 | 1194810000 | 1194820000 | 1194830000 | 1194840000 | Klippon® TB11A |
| KTB MH 352620 S4E_* | 350 x 260 x 200 | 1194850000 | 1194860000 | 1194870000 | 1194880000 | 1194890000 | Klippon® TB11A |
| KTB MH 403015 S4E_* | 400 x 300 x 150 | 1194900000 | 1194910000 | 1194920000 | 1194930000 | 1194940000 | - |
| KTB MH 403020 S4E_* | 400 x 300 x 200 | 1194950000 | 1194960000 | 1194970000 | 1194980000 | 1194990000 | - |
| KTB MH 453815 S4E_* | 458 x 382 x 150 | 1195000000 | 1195010000 | 1195020000 | 1195030000 | 1195040000 | Klippon® TB12 |
| KTB MH 453820 S4E_* | 458 x 382 x 200 | 1195050000 | 1195060000 | 1195070000 | 1195080000 | 1195090000 | Klippon® TB12 |
| KTB MH 484815 S4E_* | 480 x 480 x 150 | 1195100000 | 1195110000 | 1195120000 | 1195130000 | 1195140000 | Klippon® TB12A |
| KTB MH 484820 S4E_* | 480 x 480 x 200 | 1195150000 | 1195160000 | 1195170000 | 1195180000 | 1195190000 | Klippon® TB12A |
| KTB MH 553515 S4E_* | 550 x 350 x 150 | 1195200000 | 1195210000 | 1195220000 | 1195230000 | 1195240000 | Klippon® TB12B |
| KTB MH 553520 S4E_* | 550 x 350 x 200 | 1195250000 | 1195260000 | 1195270000 | 1195280000 | 1195290000 | Klippon® TB12B |
| KTB MH 624515 S4E_* | 620 x 450 x 150 | 1195300000 | 1195310000 | 1195320000 | 1195330000 | 1195340000 | Klippon® TB12D |
| KTB MH 624520 S4E_* | 620 x 450 x 200 | 1195350000 | 1195360000 | 1195370000 | 1195380000 | 1195390000 | Klippon® TB12D |
| KTB MH 765015 S4E_* | 762 x 508 x 150 | 1195400000 | 1195410000 | 1195420000 | 1195430000 | 1195440000 | Klippon® TB13 |
| KTB MH 765020 S4E_* | 762 x 508 x 200 | 1195450000 | 1195460000 | 1195470000 | 1195480000 | 1195490000 | Klippon® TB13 |
| KTB MH 916115 S4E_* | 914 x 610 x 150 | 1195500000 | 1195510000 | 1195520000 | 1195530000 | 1195540000 | Klippon® TB14 |
| KTB MH 916120 S4E_* | 914 x 610 x 200 | 1195550000 | 1195560000 | 1195570000 | 1195580000 | 1195590000 | Klippon® TB14 |
| KTB MH 987420 S4E_* | 980 x 740 x 200 | 1195600000 | 1195610000 | 1195620000 | 1195630000 | 1195640000 | - |

Note * Placeholder for the number of gland plates (0, 1, 2, 3, 4). The Klippon® TB enclosures with 2 and 4 gland plates are subject to minimum order quantities.

Technical Overview

Technical data

| | |
|-------------------------------------|---|
| Enclosure material* | Stainless steel 1.4404 (316L) 1.5 mm |
| Surface finish | electropolished |
| IP protection class | IP66 / IP67 to DIN EN 60529 |
| NEMA protection classes | 3, 4x, 12 |
| Gland plates | 1 – 4 (fixed with M6 hexagon head screws with 10 mm heads), optionally without a gland plate |
| Gland plate thickness | 3 mm (other thickness are available on request) |
| Earthing inside | Enclosure base and lid: welded M6 stainless steel earth studs |
| Earthing outside | Continuous M10 brass earth stud (optionally with stainless-steel earth stud) |
| Installation mounting | 4 or 9 mounting bolts with M6 threaded holes to attach the mounting plate or mounting rail |
| Enclosure attachment | 4 or 6 welded mounting feet with 11-mm holes (2 slotted and 2 cross-shaped openings) |
| Lid opening | Lid can be fully removed without the use of tools, can be fitted on both sides, lid opening angle: 130° |
| Cover attachment | 4 hinges and M6 hex-head screws (AF 10) with slot |
| Equipped for a padlock | Removable padlock fitting, for additional product security |
| Impact resistance | 7 J to IEC 60079-0, IK 09 (10J) to DIN EN 50102 |
| Gasket material | Silicone |
| Operating temperature range | -60 °C...+105 °C (IP66/IP67), -60 °C...+135 °C (IP66) |
| Torque – lid and gland plate screws | 2.5 Nm |
| Note | * Painted enclosures are available on request. |

Approvals for empty enclosures

| | | | |
|----------------------|--|---------------------------|--------------------------------|
| ATEX certificate | IBExU14ATEX1028 U | EAC | RU-DE.08.B.00472 |
| ATEX marking | II 2G Ex eb IIC Gb II 2D Ex tb IIIC Db | cULus DNV GL | E243298 TAE000013S |
| IECEX certificate | IECEX IBE 14.0004U | Russian Maritime Register | 15.40073.250 |
| IECEX marking | Ex eb IIC Gb Ex tb IIIC Db | CCOE INMETRO | In preparation IEx 17.0020U |
| Nepsi Ex certificate | GYJ14.1308U | AEx | E223792 |
| Nepsi Ex marking | Ex e IIC Gb, DIP A21 | Miscellaneous | EN 45545, DIN EN 15085-2/CL2 |
| Note | The Klippon® TB enclosure range can be pre-fitted in our customer specific production department according to your wishes. | | |

Approvals for control and distribution box

| | | | |
|----------------------|--|---------------------|--|
| ATEX certificate | IBExU14ATEX1050 | IECEX certificate | IECEX IBE 14.0013 |
| ATEX marking | ⊕ II 2G Ex eb IIC/IIA T6/T5/T4 Gb ⊕ II 1G Ex ia IIC/IIA T6/T5/T4 Ga ⊕ II 2G Ex eb ia IIC/IIA T6/T5/T4 Gb ⊕ II 2D Ex tb IIIC T80°C/T95°C/T135°C Db ⊕ II 1D Ex ia IIC T80°C/T95°C/T135°C Da -60 °C ≤ Ta ≤ +40/+55/+90 °C | IECEX marking | Ex eb IIC/IIA T6/T5/T4 Gb Ex ia IIC/IIA T6/T5/T4 Ga Ex eb ia IIC/IIA T6/T5/T4 Gb Ex tb IIIC T80°C/T95°C/T135°C Db Ex ia IIC T80°C/T95°C/T135°C Da -60 °C...+40/+55/+90 °C |
| Nepsi Ex certificate | GYJ14.1309 | INMETRO certificate | IEx 17.0021 |
| Nepsi marking | Ex e IIC T4...T6 Gb Ex ia IIC T4...T6 Ga Ex e ia IIC T4...T6 Gb DIP A21 Ta 85°C...Ta 135°C Ex ia D20 T85 °C... T135 °C | INMETRO marking | Ex eb IIC T6/T5/T4 Gb Ex ia IIC T6/T5/T4 Ga Ex eb ia IIC T6/T5/T4 Gb Ex tb IIIC T85°C/T100°C/T135°C Db IP66/IP67 Ex ia IIC T85°C/T100°C/T135°C Da |
| EAC certificate | RUC-DE.08.B.01328 | AEx certificate | E223792 |
| EAC marking | II 2 G Ex eb IIC T6...T4 II 2 G Ex e IIC T6...T4 Gb II 1 G Ex ia IIC T6...T4 II 1 G Ex ia IIC T6...T4 Ga II 2(1) G Ex eb ia IIC T6...T4 II 2(1) G Ex e ia IIC T6...T4 Gb II 2 D Ex tb IIIC T85°C...T135°C II 2 D Ex tb IIIC T85°C...T135°C Db | AEx marking | Class I, Zone 1, AEx e IIC Gb T6...T4 Class I, Zone 2, AEx e IIC Gc T6...T4 Class I Div.2 Group A,B,C,D T6...T4 Class II Div.2 Group F,G Zone 21, AEx tb IIIC Db |
| KOSHA certificate | 16-AV4B0-0245X | | |
| KOSHA marking | Ex eb IIC/IIA T6/T5/T4 Gb Ex ia IIC/IIA T6/T5/T4 Ga Ex eb ia IIC/IIA T6/T5/T4 Gb Ex tb IIIC T80°C/T95°C/T135°C Db Ex ia IIC T80°C/T95°C/T135°C Da 60 °C...+40/+55/+90 °C | | |
| Note | Labelling depends on the application layout. Limited to IP66 protection when used in temperatures greater than 105 °C. For details of power dissipation, please contact your Weidmüller representative. Additional approvals available on request. | | |

Integrate, expand, and customise: the perfect supplement to every application

The fully structured range of system accessories for the Klippon® TB enclosure range allows you to easily adapt the enclosure to meet the specific requirements of every application.

The following options are available:

1 Document holder

Document holders for storage of important documents in the enclosure.

2 Earthing studs

Earthing studs are replaceable. Available in two versions – brass and stainless steel.

3 Gland plates

Gland plates are available as spares and also in various material thicknesses.

4 Mounting plates

Mounting plates with and without a drilling pattern, for horizontal and vertical mounting of rails, or components fitted directly.

5 Mounting hardware kits

Mounting hardware kits are available for quick and easy installation of label holders, mounting plates, gland plates, document holders, and rain hoods.

6 Door stay

A door stay prevent the door from being closed unintentionally, regardless of the mounting position of the enclosure. This item is **only** available Ex-works.

7 Locking systems

Various locking systems are available for the safe securing of the enclosure. There are padlocks for the Klippon® TB MH enclosures and a range of lock inserts for the Klippon® TB QL enclosures.

8 Type label holder

A range of label holders are available for product identification.

9 Rain hoods

The rain hood provides an ideal, additional level of protection for the enclosure. Particularly useful against heavy rainfall or extreme levels of direct sunlight.



Klippon® TB MH 221513

Depth 133 mm



Height / Width / Depth 229 / 152 / 133 mm

Ordering data

| Stainless steel 1.4404 316L, electropolished | Order No. |
|---|------------|
| 0 gland plates | 1194550000 |
| 1 gland plate - positioned at the bottom (B) | 1194560000 |
| 2 gland plates - positioned at top and bottom (A & B)* | 1194570000 |
| 3 gland plates - positioned at bottom, left and right (B, C & D) | 1194580000 |
| 4 gland plates - positioned at top, bottom, left and right (A, B, C & D)* | 1194590000 |

Note *Minimum order quantity (20 pieces)

Accessories

| Mounting plates and fastening screws | Order No. |
|---|------------|
| Steel sheet, zinc plated | 1193930000 |
| With hole pattern, sheet steel, galvanised | 2022050000 |
| Stainless steel 1.4301 natural | 1193810000 |
| With hole pattern, natural stainless steel 1.4301 | 1257650000 |
| Fastening screws for mounting plates | 0642600000 |
| Fastening screws for terminal rails* | 1274150000 |

| Mounting rails**, TS35x7.5 | Order No. |
|----------------------------|------------|
| Horizontally | 8000006720 |
| Vertical | 8000006708 |

| Stainless steel spacer M6 x 8, Set of 4 | Order No. |
|---|------------|
| 10 mm length | 0935110000 |
| 15 mm length | 0935120000 |
| 20 mm length | 0935130000 |
| 30 mm length | 0935140000 |

| Gland plates - 3 mm with M6 earth studs | Order No. |
|--|------------|
| Top and bottom sides (A & B), electropolished stainless steel 1.4404 | 2022770000 |
| Left and right sides (C & D), electropolished stainless steel 1.4404 | 2022900000 |

| Gland plates and screws - 6 mm | Order No. |
|--|------------|
| Top and bottom sides (A & B), electropolished stainless steel 1.4404 | 1256270000 |
| Left and right sides (C & D), electropolished stainless steel 1.4404 | 1256280000 |
| Mounting screw, stainless steel 1.4404 | 1253230000 |

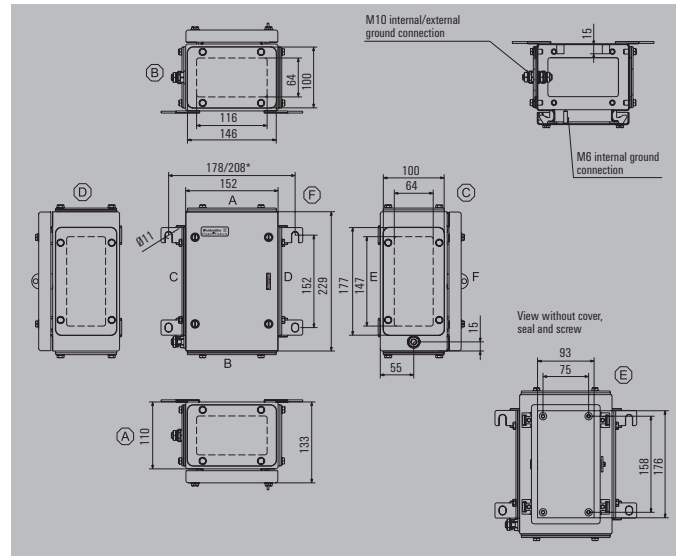
| Rain hoods | Order No. |
|--|------------|
| Stainless steel 1.4301, mirror-polished | 1281360000 |
| Stainless steel 1.4404, electro-polished | 1314090000 |

| Label holder | Order No. |
|---------------------------------------|------------|
| 70 x 70 angled stainless steel 1.4301 | 1279320000 |

| Set of fixings* | Order No. |
|--|------------|
| For label holders, rain hoods and document holders (rivet) | 1252190000 |
| For plastic (Trafolyte), identification plate (screw) | 1285200000 |

| Earthing stud | Order No. |
|-----------------------------|------------|
| Stainless steel 1.4404, M10 | 1192690000 |

Note *Packing unit (PU) = 20 pcs., sufficient for 10 fixtures
**Packing unit (PU) = 20 pcs., fixing screws 1274150000 available separately



Guide value for max. number of terminals (industry)

| Assembly with terminal | vertical | horizontal |
|------------------------|----------|------------|
| 2.5 mm ² | 1x26 | 1x10 |
| 4 mm ² | 1x21 | 1x8 |
| 6 mm ² | 1x16 | 1x6 |
| 10 mm ² | 1x13 | 1x4 |
| 16 mm ² | 1x10 | 1x3 |
| 35 mm ² | 1x7 | 1x2 |

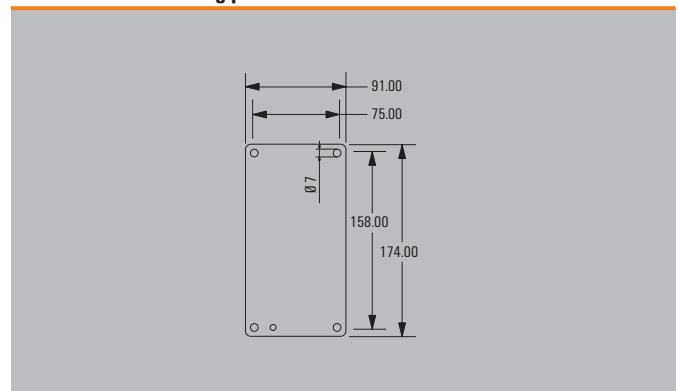
Note *For the enclosure versions with no, one or two gland plates, the horizontal distance of the mounting feet is reduced by 30 mm. When mounting modular terminals please leave a distance of 10 mm to the ends of the DIN rail. Ordering recommendations: TS 35 Mounting rail with clamping yoke technology WDU, spring-cage terminal ZDU or PUSH IN technology AZC TS 32 Mounting rail with clamping yoke technology SAK TS 15 Mounting rail with clamping yoke technology AKZ Order information for terminal blocks, please refer to online catalogue

Guide value for max. number of cable entries

| Cable entries | A / B | C / D |
|---------------|-------|-------|
| M12 | 6 | 8 |
| M16 | 5 | 6 |
| M20 | 2 | 3 |
| M25 | 2 | 2 |
| M32 | 1 | 2 |
| M40 | 1 | 2 |
| M50 | 0 | 0 |
| M63 | 0 | 0 |
| M75 | 0 | 0 |

Note Our IP 68 brass cable glands serve as a reference for these recommended values.

Dimensions of mounting plate





Height / Width / Depth 260 / 260 / 150 mm

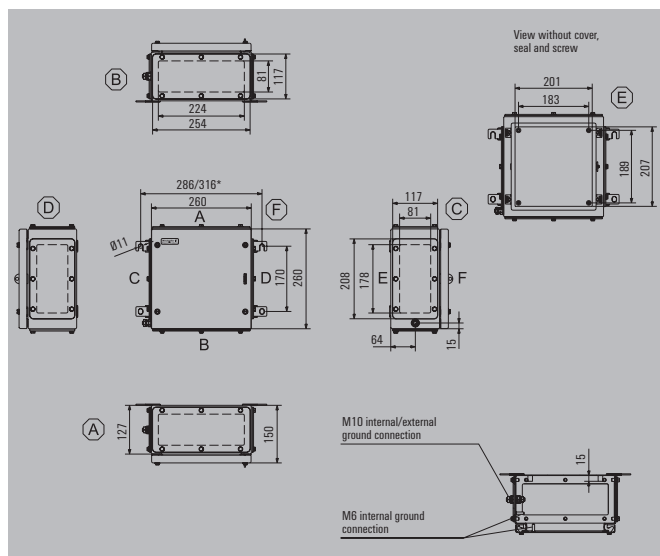
Ordering data

| Stainless steel 1.4404 316L, electropolished | Order No. |
|---|-------------------------------------|
| 0 gland plates | 1194600000 |
| 1 gland plate - positioned at the bottom (B) | 1194610000 |
| 2 gland plates - positioned at top and bottom (A & B)* | 1194620000 |
| 3 gland plates - positioned at bottom, left and right (B, C & D) | 1194630000 |
| 4 gland plates - positioned at top, bottom, left and right (A, B, C & D)* | 1194640000 |
| Note | *Minimum order quantity (20 pieces) |

Accessories

| Mounting plates and fastening screws | Order No. |
|--|------------|
| Steel sheet, zinc plated | 1193950000 |
| With hole pattern, sheet steel, galvanised | 2022060000 |
| Stainless steel 1.4301 natural | 1193820000 |
| With hole pattern, natural stainless steel 1.4301 | 1257660000 |
| Fastening screws for mounting plates | 0642600000 |
| Fastening screws for terminal rails* | 1274150000 |
| Mounting rails**, TS35x7.5 | |
| Horizontally | 8000006721 |
| Vertical | 8000006709 |
| Stainless steel spacer M6 x 8, Set of 4 | |
| 10 mm length | 0935110000 |
| 15 mm length | 0935120000 |
| 20 mm length | 0935130000 |
| 30 mm length | 0935140000 |
| Gland plates - 3 mm with M6 earth studs | |
| Top and bottom sides (A & B), electropolished stainless steel 1.4404 | 2022930000 |
| Left and right sides (C & D), electropolished stainless steel 1.4404 | 2023090000 |
| Gland plates and screws - 6 mm | |
| Top and bottom sides (A & B), electropolished stainless steel 1.4404 | 1256290000 |
| Left and right sides (C & D), electropolished stainless steel 1.4404 | 1256310000 |
| Mounting screw, stainless steel 1.4404 | 1253230000 |
| Rain hoods | |
| Stainless steel 1.4301, mirror-polished | 1281370000 |
| Stainless steel 1.4404, electro-polished | 1314100000 |
| Label holder | |
| 70 x 70 angled stainless steel 1.4301 | 1279320000 |
| 130x50 stainless steel 1.4301 | 1283450000 |
| 100x25 stainless steel 1.4301 | 1257640000 |
| Document holders | |
| For DIN A6 size documents | 1252780000 |
| Set of fixings* | |
| For label holders, rain hoods and document holders (rivet) | 1252190000 |
| For plastic (Trafolyte), identification plate (screw) | 1285200000 |
| Earthing stud | |
| Stainless steel 1.4404, M10 | 1192690000 |

Note *Packing unit (PU) = 20 pcs., sufficient for 10 fixtures
**Packing unit (PU) = 20 pcs., fixing screws 1274150000 available separately



Guide value for max. number of terminals (industry)

| Assembly with terminal | vertical | horizontal |
|------------------------|----------|------------|
| 2.5 mm ² | 2x31 | 2x31 |
| 4 mm ² | 1x26 | 1x26 |
| 6 mm ² | 1x19 | 1x19 |
| 10 mm ² | 1x15 | 1x15 |
| 16 mm ² | 1x12 | 1x12 |
| 35 mm ² | 1x9 | 1x9 |

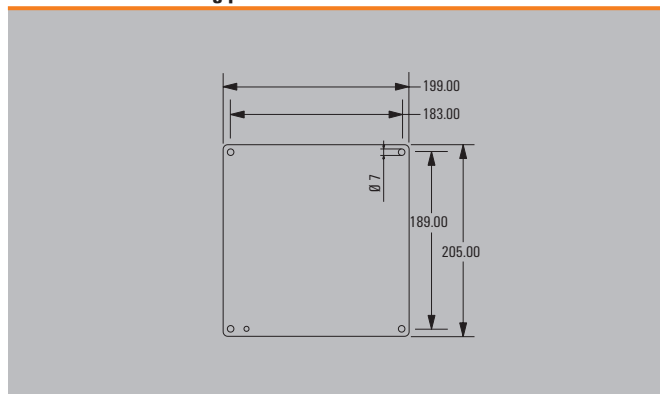
Note *For the enclosure versions with no, one or two gland plates, the horizontal distance of the mounting feet is reduced by 30 mm. When mounting modular terminals please leave a distance of 10 mm to the ends of the DIN rail. Ordering recommendations: TS 35 Mounting rail with clamping yoke technology WDU, spring-cage terminal ZDU or PUSH IN technology AZC TS 32 Mounting rail with clamping yoke technology SAK TS 15 Mounting rail with clamping yoke technology AKZ Order information for terminal blocks, please refer to online catalogue

Guide value for max. number of cable entries

| Cable entries | A / B | C / D |
|---------------|-------|-------|
| M12 | 20 | 15 |
| M16 | 11 | 8 |
| M20 | 9 | 7 |
| M25 | 4 | 3 |
| M32 | 3 | 2 |
| M40 | 3 | 2 |
| M50 | 2 | 2 |
| M63 | 0 | 0 |
| M75 | 0 | 0 |

Note Our IP 68 brass cable glands serve as a reference for these recommended values.

Dimensions of mounting plate





Height / Width / Depth 260 / 260 / 200 mm

Ordering data

| Stainless steel 1.4404 316L, electropolished | Order No. |
|---|------------|
| 0 gland plates | 1194650000 |
| 1 gland plate - positioned at the bottom (B) | 1194660000 |
| 2 gland plates - positioned at top and bottom (A & B)* | 1194670000 |
| 3 gland plates - positioned at bottom, left and right (B, C & D) | 1194680000 |
| 4 gland plates - positioned at top, bottom, left and right (A, B, C & D)* | 1194690000 |

Note *Minimum order quantity (20 pieces)

Accessories

| Mounting plates and fastening screws | Order No. |
|---|------------|
| Steel sheet, zinc plated | 1193950000 |
| With hole pattern, sheet steel, galvanised | 2022060000 |
| Stainless steel 1.4301 natural | 1193820000 |
| With hole pattern, natural stainless steel 1.4301 | 1257660000 |
| Fastening screws for mounting plates | 0642600000 |
| Fastening screws for terminal rails* | 1274150000 |

| Mounting rails**, TS35x7.5 | Order No. |
|----------------------------|------------|
| Horizontally | 8000006721 |
| Vertical | 8000006709 |

| Stainless steel spacer M6 x 8, Set of 4 | Order No. |
|---|------------|
| 10 mm length | 0935110000 |
| 15 mm length | 0935120000 |
| 20 mm length | 0935130000 |
| 30 mm length | 0935140000 |

| Gland plates - 3 mm with M6 earth studs | Order No. |
|--|------------|
| Top and bottom sides (A & B), electropolished stainless steel 1.4404 | 2023100000 |
| Left and right sides (C & D), electropolished stainless steel 1.4404 | 2023110000 |

| Gland plates and screws - 6 mm | Order No. |
|--|------------|
| Top and bottom sides (A & B), electropolished stainless steel 1.4404 | 1256320000 |
| Left and right sides (C & D), electropolished stainless steel 1.4404 | 1256330000 |
| Mounting screw, stainless steel 1.4404 | 1253230000 |

| Rain hoods | Order No. |
|--|------------|
| Stainless steel 1.4301, mirror-polished | 1281380000 |
| Stainless steel 1.4404, electro-polished | 1314110000 |

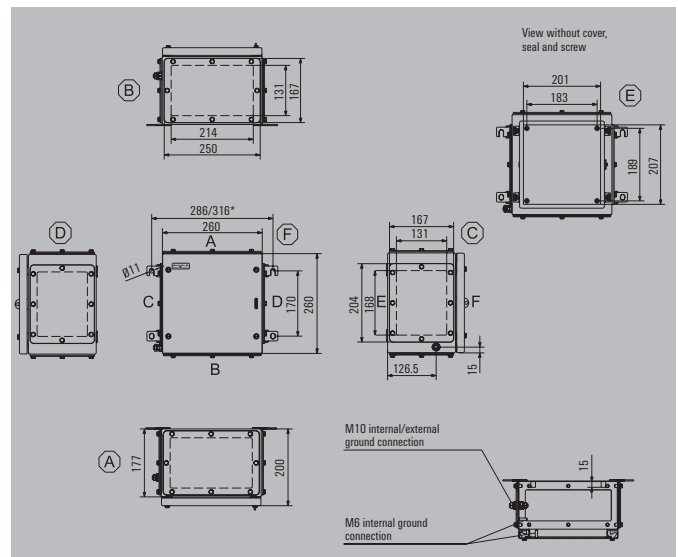
| Label holder | Order No. |
|---------------------------------------|------------|
| 70 x 70 angled stainless steel 1.4301 | 1279320000 |
| 130x50 stainless steel 1.4301 | 1283450000 |
| 100x25 stainless steel 1.4301 | 1257640000 |

| Document holders | Order No. |
|---------------------------|------------|
| For DIN A6 size documents | 1252780000 |

| Set of fixings* | Order No. |
|--|------------|
| For label holders, rain hoods and document holders (rivet) | 1252190000 |
| For plastic (Trafolyte), identification plate (screw) | 1285200000 |

| Earthing stud | Order No. |
|-----------------------------|------------|
| Stainless steel 1.4404, M10 | 1192690000 |

Note *Packing unit (PU) = 20 pcs., sufficient for 10 fixtures
**Packing unit (PU) = 20 pcs., fixing screws 1274150000 available separately



Guide value for max. number of terminals (industry)

| Assembly with terminal | vertical | horizontal |
|------------------------|----------|------------|
| 2.5 mm ² | 2x31 | 2x31 |
| 4 mm ² | 1x26 | 1x26 |
| 6 mm ² | 1x19 | 1x19 |
| 10 mm ² | 1x15 | 1x15 |
| 16 mm ² | 1x12 | 1x12 |
| 35 mm ² | 1x9 | 1x9 |

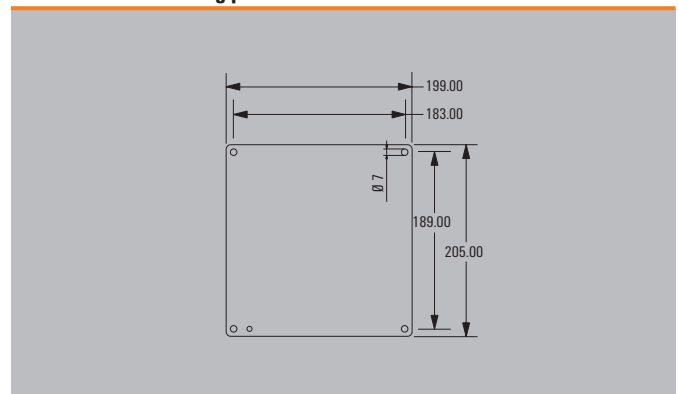
Note *For the enclosure versions with no, one or two gland plates, the horizontal distance of the mounting feet is reduced by 30 mm. When mounting modular terminals please leave a distance of 10 mm to the ends of the DIN rail. Ordering recommendations: TS 35 Mounting rail with clamping yoke technology WDU, spring-cage terminal ZDU or PUSH IN technology AZC TS 32 Mounting rail with clamping yoke technology SAK TS 15 Mounting rail with clamping yoke technology AKZ Order information for terminal blocks, please refer to online catalogue

Guide value for max. number of cable entries

| Cable entries | A / B | C / D |
|---------------|-------|-------|
| M12 | 33 | 25 |
| M16 | 22 | 16 |
| M20 | 14 | 11 |
| M25 | 12 | 9 |
| M32 | 6 | 4 |
| M40 | 5 | 4 |
| M50 | 2 | 2 |
| M63 | 2 | 1 |
| M75 | 1 | 1 |

Note Our IP 68 brass cable glands serve as a reference for these recommended values.

Dimensions of mounting plate





Height / Width / Depth 306 / 306 / 150 mm

Ordering data

| Stainless steel 1.4404 316L, electropolished | Order No. |
|---|------------|
| 0 gland plates | 1194700000 |
| 1 gland plate - positioned at the bottom (B) | 1194710000 |
| 2 gland plates - positioned at top and bottom (A & B)* | 1194720000 |
| 3 gland plates - positioned at bottom, left and right (B, C & D) | 1194730000 |
| 4 gland plates - positioned at top, bottom, left and right (A, B, C & D)* | 1194740000 |

Note *Minimum order quantity (20 pieces)

Accessories

| Mounting plates and fastening screws | Order No. |
|---|------------|
| Steel sheet, zinc plated | 1193960000 |
| With hole pattern, sheet steel, galvanised | 2022190000 |
| Stainless steel 1.4301 natural | 1193830000 |
| With hole pattern, natural stainless steel 1.4301 | 1257670000 |
| Fastening screws for mounting plates | 0642600000 |
| Fastening screws for terminal rails* | 1274150000 |

| Mounting rails**, TS35x7.5 | Order No. |
|----------------------------|------------|
| Horizontally | 8000006722 |
| Vertical | 8000006710 |

| Stainless steel spacer M6 x 8, Set of 4 | Order No. |
|---|------------|
| 10 mm length | 0935110000 |
| 15 mm length | 0935120000 |
| 20 mm length | 0935130000 |
| 30 mm length | 0935140000 |

| Gland plates - 3 mm with M6 earth studs | Order No. |
|--|------------|
| Top and bottom sides (A & B), electropolished stainless steel 1.4404 | 2023120000 |
| Left and right sides (C & D), electropolished stainless steel 1.4404 | 2023130000 |

| Gland plates and screws - 6 mm | Order No. |
|--|------------|
| Top and bottom sides (A & B), electropolished stainless steel 1.4404 | 1256340000 |
| Left and right sides (C & D), electropolished stainless steel 1.4404 | 1256350000 |
| Mounting screw, stainless steel 1.4404 | 1253230000 |

| Rain hoods | Order No. |
|--|------------|
| Stainless steel 1.4301, mirror-polished | 1281390000 |
| Stainless steel 1.4404, electro-polished | 1314120000 |

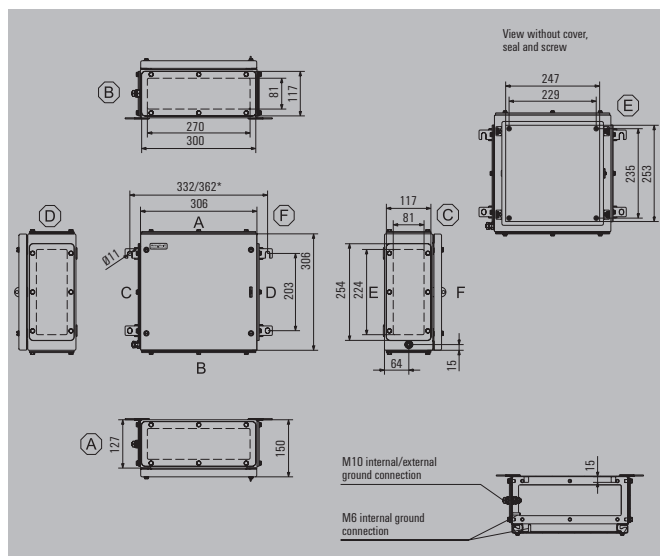
| Label holder | Order No. |
|---------------------------------------|------------|
| 70 x 70 angled stainless steel 1.4301 | 1279320000 |
| 130x50 stainless steel 1.4301 | 1283450000 |
| 100x25 stainless steel 1.4301 | 1257640000 |

| Document holders | Order No. |
|---------------------------|------------|
| For DIN A6 size documents | 1252780000 |

| Set of fixings* | Order No. |
|--|------------|
| For label holders, rain hoods and document holders (rivet) | 1252190000 |
| For plastic (Trafolyte), identification plate (screw) | 1285200000 |

| Earthing stud | Order No. |
|-----------------------------|------------|
| Stainless steel 1.4404, M10 | 1192690000 |

Note *Packing unit (PU) = 20 pcs., sufficient for 10 fixtures
**Packing unit (PU) = 20 pcs., fixing screws 1274150000 available separately



Guide value for max. number of terminals (industry)

| Assembly with terminal | vertical | horizontal |
|------------------------|----------|------------|
| 2.5 mm ² | 1x41 | 2x40 |
| 4 mm ² | 1x34 | 2x33 |
| 6 mm ² | 1x25 | 2x25 |
| 10 mm ² | 1x20 | 1x20 |
| 16 mm ² | 1x17 | 1x16 |
| 35 mm ² | 1x12 | 1x12 |

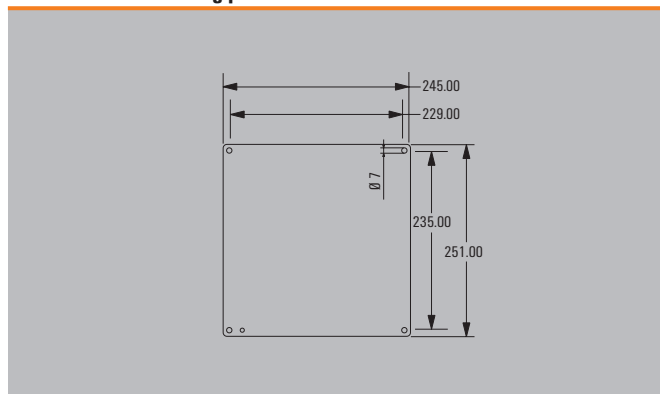
Note *For the enclosure versions with no, one or two gland plates, the horizontal distance of the mounting feet is reduced by 30 mm. When mounting modular terminals please leave a distance of 10 mm to the ends of the DIN rail. Ordering recommendations: TS 35 Mounting rail with clamping yoke technology WDU, spring-cage terminal ZDU or PUSH IN technology AZC TS 32 Mounting rail with clamping yoke technology SAK TS 15 Mounting rail with clamping yoke technology AKZ Order information for terminal blocks, please refer to online catalogue

Guide value for max. number of cable entries

| Cable entries | A / B | C / D |
|---------------|-------|-------|
| M12 | 24 | 20 |
| M16 | 13 | 11 |
| M20 | 11 | 9 |
| M25 | 5 | 4 |
| M32 | 4 | 3 |
| M40 | 3 | 3 |
| M50 | 3 | 2 |
| M63 | 0 | 0 |
| M75 | 0 | 0 |

Note Our IP 68 brass cable glands serve as a reference for these recommended values.

Dimensions of mounting plate



Klippon® TB MH 303020

Depth 200 mm



Height / Width / Depth 306 / 306 / 200 mm

Ordering data

| Stainless steel 1.4404 316L, electropolished | Order No. |
|---|------------|
| 0 gland plates | 1194750000 |
| 1 gland plate - positioned at the bottom (B) | 1194760000 |
| 2 gland plates - positioned at top and bottom (A & B)* | 1194770000 |
| 3 gland plates - positioned at bottom, left and right (B, C & D) | 1194780000 |
| 4 gland plates - positioned at top, bottom, left and right (A, B, C & D)* | 1194790000 |

Note *Minimum order quantity (20 pieces)

Accessories

| Mounting plates and fastening screws | Order No. |
|---|------------|
| Steel sheet, zinc plated | 1193960000 |
| With hole pattern, sheet steel, galvanised | 2022190000 |
| Stainless steel 1.4301 natural | 1193830000 |
| With hole pattern, natural stainless steel 1.4301 | 1257670000 |
| Fastening screws for mounting plates | 0642600000 |
| Fastening screws for terminal rails* | 1274150000 |

| Mounting rails**, TS35x7.5 | Order No. |
|----------------------------|------------|
| Horizontally | 8000006722 |
| Vertical | 8000006710 |

| Stainless steel spacer M6 x 8, Set of 4 | Order No. |
|---|------------|
| 10 mm length | 0935110000 |
| 15 mm length | 0935120000 |
| 20 mm length | 0935130000 |
| 30 mm length | 0935140000 |

| Gland plates - 3 mm with M6 earth studs | Order No. |
|--|------------|
| Top and bottom sides (A & B), electropolished stainless steel 1.4404 | 2023140000 |
| Left and right sides (C & D), electropolished stainless steel 1.4404 | 2023150000 |

| Gland plates and screws - 6 mm | Order No. |
|--|------------|
| Top and bottom sides (A & B), electropolished stainless steel 1.4404 | 1256360000 |
| Left and right sides (C & D), electropolished stainless steel 1.4404 | 1256370000 |
| Mounting screw, stainless steel 1.4404 | 1253230000 |

| Rain hoods | Order No. |
|--|------------|
| Stainless steel 1.4301, mirror-polished | 1281400000 |
| Stainless steel 1.4404, electro-polished | 1314130000 |

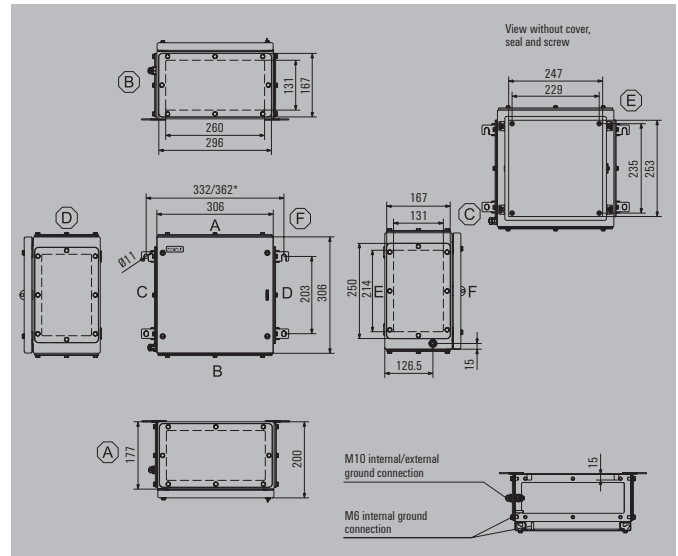
| Label holder | Order No. |
|---------------------------------------|------------|
| 70 x 70 angled stainless steel 1.4301 | 1279320000 |
| 130x50 stainless steel 1.4301 | 1283450000 |
| 100x25 stainless steel 1.4301 | 1257640000 |

| Document holders | Order No. |
|---------------------------|------------|
| For DIN A6 size documents | 1252780000 |

| Set of fixings* | Order No. |
|--|------------|
| For label holders, rain hoods and document holders (rivet) | 1252190000 |
| For plastic (Trafolyte), identification plate (screw) | 1285200000 |

| Earthing stud | Order No. |
|-----------------------------|------------|
| Stainless steel 1.4404, M10 | 1192690000 |

Note *Packing unit (PU) = 20 pcs., sufficient for 10 fixtures
**Packing unit (PU) = 20 pcs., fixing screws 1274150000 available separately



Guide value for max. number of terminals (industry)

| Assembly with terminal | vertical | horizontal |
|------------------------|----------|------------|
| 2.5 mm ² | 1x41 | 2x40 |
| 4 mm ² | 1x34 | 2x33 |
| 6 mm ² | 1x25 | 2x25 |
| 10 mm ² | 1x20 | 1x20 |
| 16 mm ² | 1x17 | 1x16 |
| 35 mm ² | 1x12 | 1x12 |

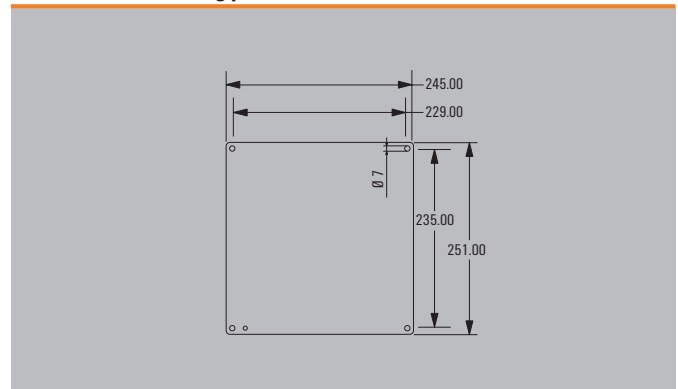
Note *For the enclosure versions with no, one or two gland plates, the horizontal distance of the mounting feet is reduced by 30 mm. When mounting modular terminals please leave a distance of 10 mm to the ends of the DIN rail. Ordering recommendations: TS 35 Mounting rail with clamping yoke technology WDU, spring-cage terminal ZDU or PUSH IN technology AZC TS 32 Mounting rail with clamping yoke technology SAK TS 15 Mounting rail with clamping yoke technology AKZ Order information for terminal blocks, please refer to online catalogue

Guide value for max. number of cable entries

| Cable entries | A / B | C / D |
|---------------|-------|-------|
| M12 | 40 | 33 |
| M16 | 26 | 22 |
| M20 | 17 | 14 |
| M25 | 14 | 12 |
| M32 | 8 | 6 |
| M40 | 6 | 5 |
| M50 | 3 | 2 |
| M63 | 2 | 2 |
| M75 | 2 | 1 |

Note Our IP 68 brass cable glands serve as a reference for these recommended values.

Dimensions of mounting plate





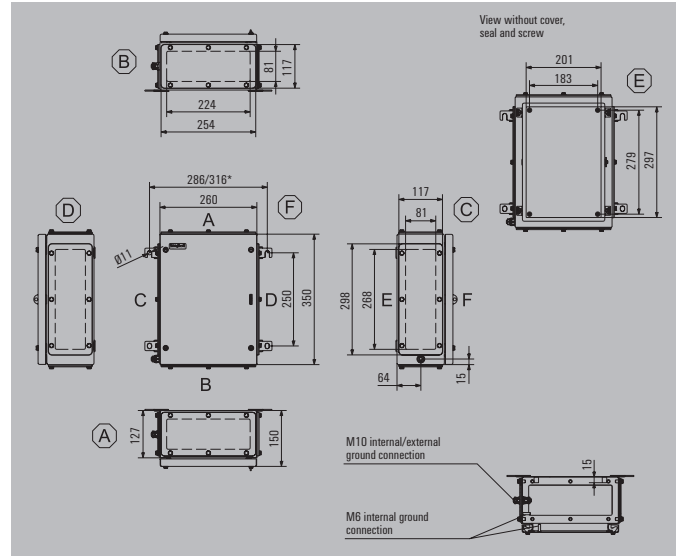
Height / Width / Depth 350 / 260 / 150 mm

Ordering data

| Stainless steel 1.4404 316L, electropolished | Order No. |
|---|-------------------------------------|
| 0 gland plates | 1194800000 |
| 1 gland plate - positioned at the bottom (B) | 1194810000 |
| 2 gland plates - positioned at top and bottom (A & B)* | 1194820000 |
| 3 gland plates - positioned at bottom, left and right (B, C & D) | 1194830000 |
| 4 gland plates - positioned at top, bottom, left and right (A, B, C & D)* | 1194840000 |
| Note | *Minimum order quantity (20 pieces) |

Accessories

| Mounting plates and fastening screws | Order No. |
|--|--|
| Steel sheet, zinc plated | 1193970000 |
| With hole pattern, sheet steel, galvanised | 2022310000 |
| Stainless steel 1.4301 natural | 1193840000 |
| With hole pattern, natural stainless steel 1.4301 | 1257680000 |
| Fastening screws for mounting plates | 0642600000 |
| Fastening screws for terminal rails* | 1274150000 |
| Mounting rails**, TS35x7.5 | |
| Horizontally | 8000006721 |
| Vertical | 8000006711 |
| Stainless steel spacer M6 x 8, Set of 4 | |
| 10 mm length | 0935110000 |
| 15 mm length | 0935120000 |
| 20 mm length | 0935130000 |
| 30 mm length | 0935140000 |
| Gland plates - 3 mm with M6 earth studs | |
| Top and bottom sides (A & B), electropolished stainless steel 1.4404 | 2023160000 |
| Left and right sides (C & D), electropolished stainless steel 1.4404 | 2023210000 |
| Gland plates and screws - 6 mm | |
| Top and bottom sides (A & B), electropolished stainless steel 1.4404 | 1256380000 |
| Left and right sides (C & D), electropolished stainless steel 1.4404 | 1256390000 |
| Mounting screw, stainless steel 1.4404 | 1253230000 |
| Rain hoods | |
| Stainless steel 1.4301, mirror-polished | 1281410000 |
| Stainless steel 1.4404, electro-polished | 1314140000 |
| Label holder | |
| 70 x 70 angled stainless steel 1.4301 | 1279320000 |
| 130x50 stainless steel 1.4301 | 1283450000 |
| 100x25 stainless steel 1.4301 | 1257640000 |
| Document holders | |
| For DIN A6 size documents | 1252780000 |
| Set of fixings* | |
| For label holders, rain hoods and document holders (rivet) | 1252190000 |
| For plastic (Trafolyte), identification plate (screw) | 1285200000 |
| Earthing stud | |
| Stainless steel 1.4404, M10 | 1192690000 |
| Note | *Packing unit (PU) = 20 pcs., sufficient for 10 fixtures **Packing unit (PU) = 20 pcs., fixing screws 1274150000 available separately |



Guide value for max. number of terminals (industry)

| Assembly with terminal | vertical | horizontal |
|------------------------|----------|------------|
| 2.5 mm ² | 2x49 | 2x31 |
| 4 mm ² | 1x41 | 2x26 |
| 6 mm ² | 1x31 | 2x19 |
| 10 mm ² | 1x25 | 2x15 |
| 16 mm ² | 1x20 | 1x12 |
| 35 mm ² | 1x15 | 1x9 |

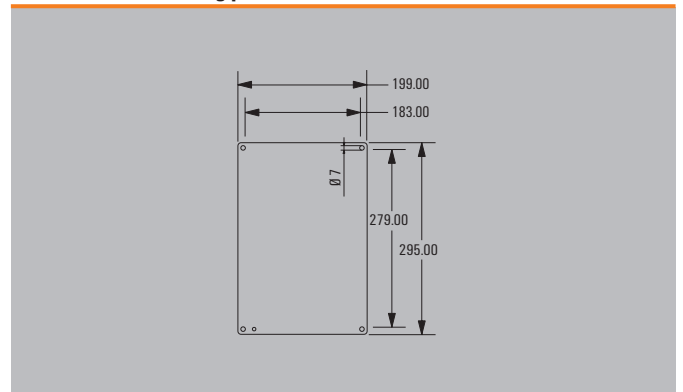
Note *For the enclosure versions with no, one or two gland plates, the horizontal distance of the mounting feet is reduced by 30 mm. When mounting modular terminals please leave a distance of 10 mm to the ends of the DIN rail. Ordering recommendations: TS 35 Mounting rail with clamping yoke technology WDU, spring-cage terminal ZDU or PUSH IN technology AZC TS 32 Mounting rail with clamping yoke technology SAK TS 15 Mounting rail with clamping yoke technology AKZ Order information for terminal blocks, please refer to online catalogue

Guide value for max. number of cable entries

| Cable entries | A / B | C / D |
|---------------|-------|-------|
| M12 | 20 | 23 |
| M16 | 11 | 13 |
| M20 | 9 | 11 |
| M25 | 4 | 5 |
| M32 | 3 | 4 |
| M40 | 3 | 3 |
| M50 | 2 | 3 |
| M63 | 0 | 0 |
| M75 | 0 | 0 |

Note Our IP 68 brass cable glands serve as a reference for these recommended values.

Dimensions of mounting plate





Height / Width / Depth 350 / 260 / 200 mm

Ordering data

| Stainless steel 1.4404 316L, electropolished | Order No. |
|---|------------|
| 0 gland plates | 1194850000 |
| 1 gland plate - positioned at the bottom (B) | 1194860000 |
| 2 gland plates - positioned at top and bottom (A & B)* | 1194870000 |
| 3 gland plates - positioned at bottom, left and right (B, C & D) | 1194880000 |
| 4 gland plates - positioned at top, bottom, left and right (A, B, C & D)* | 1194890000 |

Note *Minimum order quantity (20 pieces)

Accessories

| Mounting plates and fastening screws | Order No. |
|---|------------|
| Steel sheet, zinc plated | 1193970000 |
| With hole pattern, sheet steel, galvanised | 2022310000 |
| Stainless steel 1.4301 natural | 1193840000 |
| With hole pattern, natural stainless steel 1.4301 | 1257680000 |
| Fastening screws for mounting plates | 0642600000 |
| Fastening screws for terminal rails* | 1274150000 |

| Mounting rails**, TS35x7.5 | Order No. |
|----------------------------|------------|
| Horizontally | 8000006721 |
| Vertical | 8000006711 |

| Stainless steel spacer M6 x 8, Set of 4 | Order No. |
|---|------------|
| 10 mm length | 0935110000 |
| 15 mm length | 0935120000 |
| 20 mm length | 0935130000 |
| 30 mm length | 0935140000 |

| Gland plates - 3 mm with M6 earth studs | Order No. |
|--|------------|
| Top and bottom sides (A & B), electropolished stainless steel 1.4404 | 2023230000 |
| Left and right sides (C & D), electropolished stainless steel 1.4404 | 2023280000 |

| Gland plates and screws - 6 mm | Order No. |
|--|------------|
| Top and bottom sides (A & B), electropolished stainless steel 1.4404 | 1256410000 |
| Left and right sides (C & D), electropolished stainless steel 1.4404 | 1256420000 |
| Mounting screw, stainless steel 1.4404 | 1253230000 |

| Rain hoods | Order No. |
|--|------------|
| Stainless steel 1.4301, mirror-polished | 1281420000 |
| Stainless steel 1.4404, electro-polished | 1314150000 |

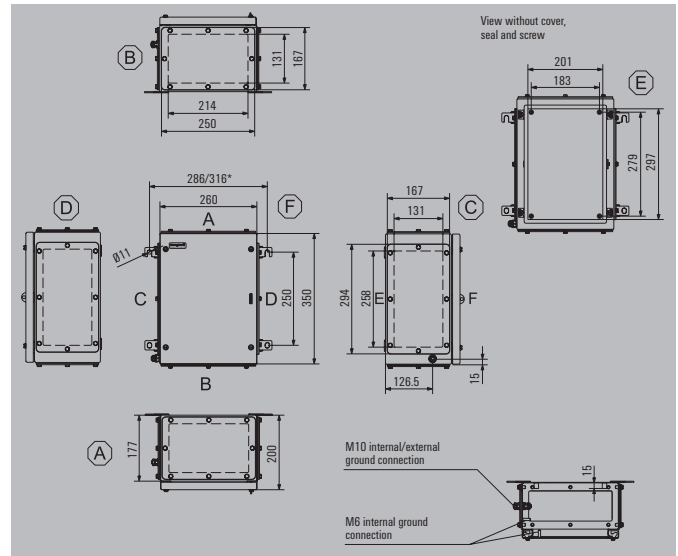
| Label holder | Order No. |
|---------------------------------------|------------|
| 70 x 70 angled stainless steel 1.4301 | 1279320000 |
| 130x50 stainless steel 1.4301 | 1283450000 |
| 100x25 stainless steel 1.4301 | 1257640000 |

| Document holders | Order No. |
|---------------------------|------------|
| For DIN A6 size documents | 1252780000 |

| Set of fixings* | Order No. |
|--|------------|
| For label holders, rain hoods and document holders (rivet) | 1252190000 |
| For plastic (Trafolyte), identification plate (screw) | 1285200000 |

| Earthing stud | Order No. |
|-----------------------------|------------|
| Stainless steel 1.4404, M10 | 1192690000 |

Note *Packing unit (PU) = 20 pcs., sufficient for 10 fixtures
**Packing unit (PU) = 20 pcs., fixing screws 1274150000 available separately



Guide value for max. number of terminals (industry)

| Assembly with terminal | vertical | horizontal |
|------------------------|----------|------------|
| 2.5 mm ² | 2x49 | 2x31 |
| 4 mm ² | 1x41 | 2x26 |
| 6 mm ² | 1x31 | 2x19 |
| 10 mm ² | 1x25 | 2x15 |
| 16 mm ² | 1x20 | 1x12 |
| 35 mm ² | 1x15 | 1x9 |

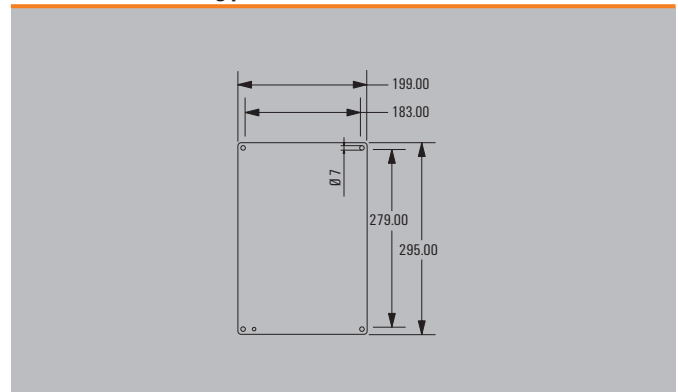
Note *For the enclosure versions with no, one or two gland plates, the horizontal distance of the mounting feet is reduced by 30 mm. When mounting modular terminals please leave a distance of 10 mm to the ends of the DIN rail. Ordering recommendations: TS 35 Mounting rail with clamping yoke technology WDU, spring-cage terminal ZDU or PUSH IN technology AZC TS 32 Mounting rail with clamping yoke technology SAK TS 15 Mounting rail with clamping yoke technology AKZ Order information for terminal blocks, please refer to online catalogue

Guide value for max. number of cable entries

| Cable entries | A / B | C / D |
|---------------|-------|-------|
| M12 | 33 | 38 |
| M16 | 22 | 26 |
| M20 | 14 | 17 |
| M25 | 12 | 14 |
| M32 | 6 | 7 |
| M40 | 5 | 6 |
| M50 | 2 | 3 |
| M63 | 2 | 2 |
| M75 | 1 | 2 |

Note Our IP 68 brass cable glands serve as a reference for these recommended values.

Dimensions of mounting plate





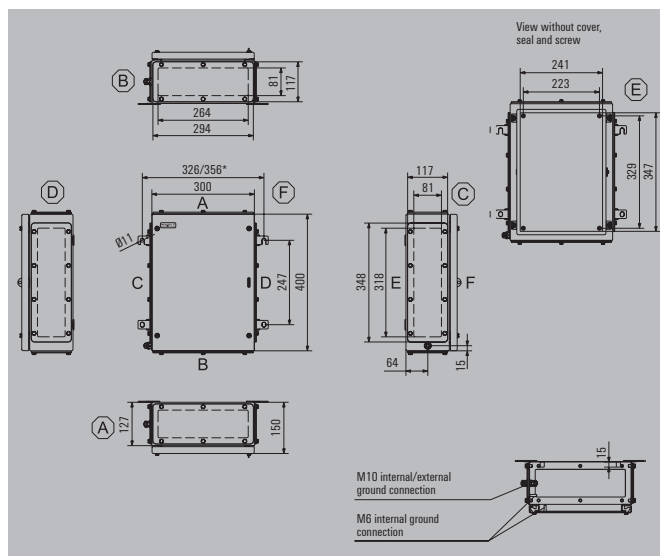
Height / Width / Depth 400 / 300 / 150 mm

Ordering data

| Stainless steel 1.4404 316L, electropolished | | Order No. |
|--|---|------------|
| | 0 gland plates | 1194900000 |
| | 1 gland plate - positioned at the bottom (B) | 1194910000 |
| | 2 gland plates - positioned at top and bottom (A & B)* | 1194920000 |
| | 3 gland plates - positioned at bottom, left and right (B, C & D) | 1194930000 |
| | 4 gland plates - positioned at top, bottom, left and right (A, B, C & D)* | 1194940000 |
| Note | *Minimum order quantity (10 pieces) | |

Accessories

| Mounting plates and fastening screws | | Order No. |
|---|--|------------|
| | Steel sheet, zinc plated | 1193980000 |
| | With hole pattern, sheet steel, galvanised | 2022420000 |
| | Stainless steel 1.4301 natural | 1193850000 |
| | With hole pattern, natural stainless steel 1.4301 | 1257690000 |
| | Fastening screws for mounting plates | 0642600000 |
| | Fastening screws for terminal rails* | 1274150000 |
| Mounting rails**, TS35x7.5 | | |
| | Horizontally | 800006723 |
| | Vertical | 800006712 |
| Stainless steel spacer M6 x 8, Set of 4 | | |
| | 10 mm length | 0935110000 |
| | 15 mm length | 0935120000 |
| | 20 mm length | 0935130000 |
| | 30 mm length | 0935140000 |
| Gland plates - 3 mm with M6 earth studs | | |
| | Top and bottom sides (A & B), electropolished stainless steel 1.4404 | 2023320000 |
| | Left and right sides (C & D), electropolished stainless steel 1.4404 | 2023330000 |
| Gland plates and screws - 6 mm | | |
| | Top and bottom sides (A & B), electropolished stainless steel 1.4404 | 1256430000 |
| | Left and right sides (C & D), electropolished stainless steel 1.4404 | 1256440000 |
| | Mounting screw, stainless steel 1.4404 | 1253230000 |
| Rain hoods | | |
| | Stainless steel 1.4301, mirror-polished | 1281430000 |
| | Stainless steel 1.4404, electro-polished | 1314170000 |
| Label holder | | |
| | 70 x 70 angled stainless steel 1.4301 | 1279320000 |
| | 130x50 stainless steel 1.4301 | 1283450000 |
| | 100x25 stainless steel 1.4301 | 1257640000 |
| Document holders | | |
| | For DIN A6 size documents | 1252780000 |
| Set of fixings* | | |
| | For label holders, rain hoods and document holders (rivet) | 1252190000 |
| | For plastic (Trafolyte), identification plate (screw) | 1285200000 |
| Earthing stud | | |
| | Stainless steel 1.4404, M10 | 1192690000 |
| Note | *Packing unit (PU) = 20 pcs., sufficient for 10 fixtures **Packing unit (PU) = 20 pcs., fixing screws 1274150000 available separately | |



Guide value for max. number of terminals (industry)

| Assembly with terminal | vertical | horizontal | |
|------------------------|---------------------|------------|------|
| | 2.5 mm ² | 2x59 | 3x39 |
| | 4 mm ² | 2x49 | 3x32 |
| | 6 mm ² | 1x37 | 2x24 |
| | 10 mm ² | 1x30 | 2x19 |
| | 16 mm ² | 1x24 | 2x16 |
| | 35 mm ² | 1x18 | 1x11 |

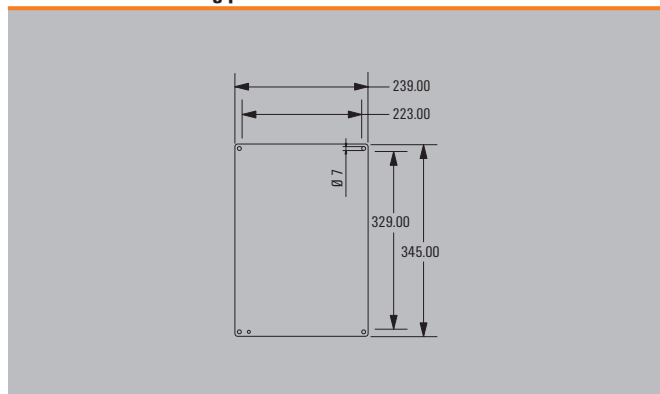
Note *For the enclosure versions with no, one or two gland plates, the horizontal distance of the mounting feet is reduced by 30 mm. When mounting modular terminals please leave a distance of 10 mm to the ends of the DIN rail. Ordering recommendations: TS 35 Mounting rail with clamping yoke technology WDU, spring-cage terminal ZDU or PUSH IN technology AZC TS 32 Mounting rail with clamping yoke technology SAK TS 15 Mounting rail with clamping yoke technology AKZ Order information for terminal blocks, please refer to online catalogue

Guide value for max. number of cable entries

| Cable entries | A / B | C / D | |
|---------------|-------|-------|----|
| | M12 | 23 | 29 |
| | M16 | 13 | 16 |
| | M20 | 11 | 13 |
| | M25 | 5 | 6 |
| | M32 | 4 | 5 |
| | M40 | 3 | 4 |
| | M50 | 3 | 3 |
| | M63 | 0 | 0 |
| | M75 | 0 | 0 |

Note Our IP 68 brass cable glands serve as a reference for these recommended values.

Dimensions of mounting plate





Height / Width / Depth 400 / 300 / 200 mm

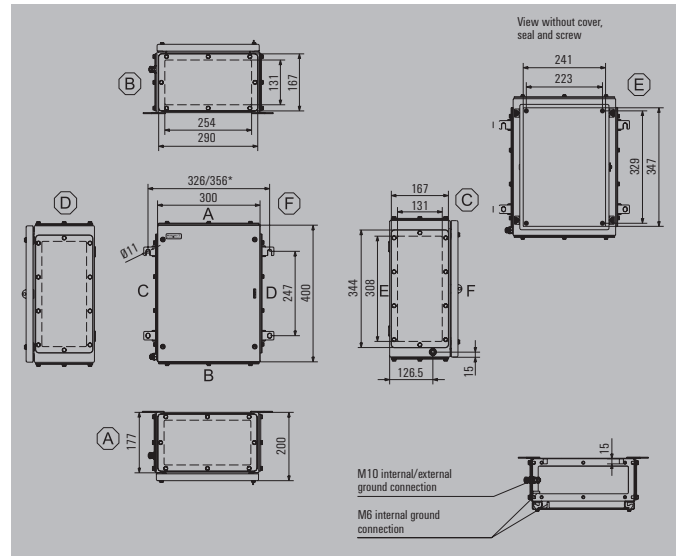
Ordering data

| Stainless steel 1.4404 316L, electropolished | | Order No. |
|--|---|------------|
| | 0 gland plates | 1194950000 |
| | 1 gland plate - positioned at the bottom (B) | 1194960000 |
| | 2 gland plates - positioned at top and bottom (A & B)* | 1194970000 |
| | 3 gland plates - positioned at bottom, left and right (B, C & D) | 1194980000 |
| | 4 gland plates - positioned at top, bottom, left and right (A, B, C & D)* | 1194990000 |
| Note | *Minimum order quantity (10 pieces) | |

Accessories

| Mounting plates and fastening screws | | Order No. |
|---|--|------------|
| | Steel sheet, zinc plated | 1193980000 |
| | With hole pattern, sheet steel, galvanised | 2022420000 |
| | Stainless steel 1.4301 natural | 1193850000 |
| | With hole pattern, natural stainless steel 1.4301 | 1257690000 |
| | Fastening screws for mounting plates | 0642600000 |
| | Fastening screws for terminal rails* | 1274150000 |
| Mounting rails**, TS35x7.5 | | |
| | Horizontally | 8000006723 |
| | Vertical | 8000006712 |
| Stainless steel spacer M6 x 8, Set of 4 | | |
| | 10 mm length | 0935110000 |
| | 15 mm length | 0935120000 |
| | 20 mm length | 0935130000 |
| | 30 mm length | 0935140000 |
| Gland plates - 3 mm with M6 earth studs | | |
| | Top and bottom sides (A & B), electropolished stainless steel 1.4404 | 2023450000 |
| | Left and right sides (C & D), electropolished stainless steel 1.4404 | 2023480000 |
| Gland plates and screws - 6 mm | | |
| | Top and bottom sides (A & B), electropolished stainless steel 1.4404 | 1256450000 |
| | Left and right sides (C & D), electropolished stainless steel 1.4404 | 1256470000 |
| | Mounting screw, stainless steel 1.4404 | 1253230000 |
| Rain hoods | | |
| | Stainless steel 1.4301, mirror-polished | 1281440000 |
| | Stainless steel 1.4404, electro-polished | 1314180000 |
| Label holder | | |
| | 70 x 70 angled stainless steel 1.4301 | 1279320000 |
| | 130x50 stainless steel 1.4301 | 1283450000 |
| | 100x25 stainless steel 1.4301 | 1257640000 |
| Document holders | | |
| | For DIN A6 size documents | 1252780000 |
| Set of fixings* | | |
| | For label holders, rain hoods and document holders (rivet) | 1252190000 |
| | For plastic (Trafolyte), identification plate (screw) | 1285200000 |
| Earthing stud | | |
| | Stainless steel 1.4404, M10 | 1192690000 |

Note *Packing unit (PU) = 20 pcs., sufficient for 10 fixtures
**Packing unit (PU) = 20 pcs., fixing screws 1274150000 available separately



Guide value for max. number of terminals (industry)

| Assembly with terminal | vertical | horizontal | |
|------------------------|---------------------|------------|------|
| | 2.5 mm ² | 2x59 | 3x39 |
| | 4 mm ² | 2x49 | 3x32 |
| | 6 mm ² | 1x37 | 2x24 |
| | 10 mm ² | 1x30 | 2x19 |
| | 16 mm ² | 1x24 | 2x16 |
| | 35 mm ² | 1x18 | 1x11 |

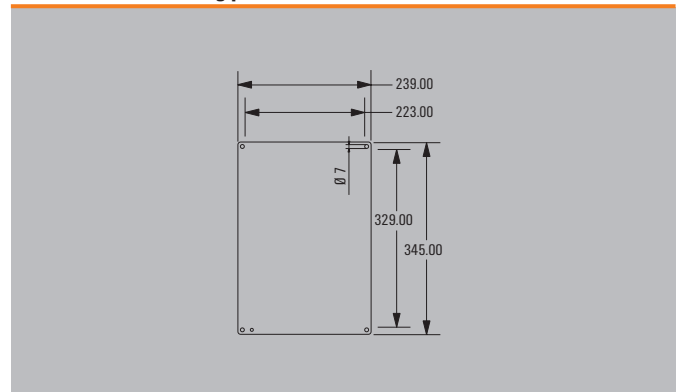
Note *For the enclosure versions with no, one or two gland plates, the horizontal distance of the mounting feet is reduced by 30 mm. When mounting modular terminals please leave a distance of 10 mm to the ends of the DIN rail. Ordering recommendations: TS 35 Mounting rail with clamping yoke technology WDU, spring-cage terminal ZDU or PUSH IN technology AZC TS 32 Mounting rail with clamping yoke technology SAK TS 15 Mounting rail with clamping yoke technology AKZ Order information for terminal blocks, please refer to online catalogue

Guide value for max. number of cable entries

| Cable entries | A / B | C / D | |
|---------------|-------|-------|----|
| | M12 | 38 | 48 |
| | M16 | 26 | 32 |
| | M20 | 17 | 20 |
| | M25 | 14 | 17 |
| | M32 | 7 | 9 |
| | M40 | 6 | 7 |
| | M50 | 3 | 3 |
| | M63 | 2 | 3 |
| | M75 | 2 | 2 |

Note Our IP 68 brass cable glands serve as a reference for these recommended values.

Dimensions of mounting plate





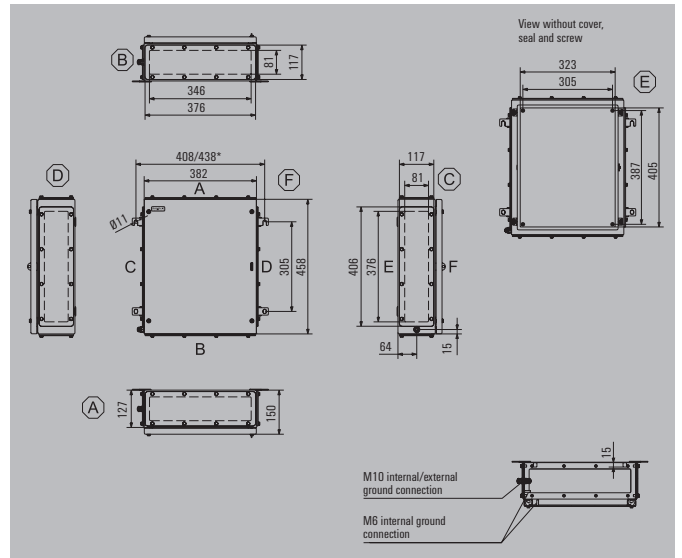
Height / Width / Depth 458 / 382 / 150 mm

Ordering data

| Stainless steel 1.4404 316L, electropolished | Order No. |
|---|-------------------------------------|
| 0 gland plates | 1195000000 |
| 1 gland plate - positioned at the bottom (B) | 1195010000 |
| 2 gland plates - positioned at top and bottom (A & B)* | 1195020000 |
| 3 gland plates - positioned at bottom, left and right (B, C & D) | 1195030000 |
| 4 gland plates - positioned at top, bottom, left and right (A, B, C & D)* | 1195040000 |
| Note | *Minimum order quantity (10 pieces) |

Accessories

| Mounting plates and fastening screws | Order No. |
|--|--|
| Steel sheet, zinc plated | 1193990000 |
| With hole pattern, sheet steel, galvanised | 2022590000 |
| Stainless steel 1.4301 natural | 1193860000 |
| With hole pattern, natural stainless steel 1.4301 | 1257700000 |
| Fastening screws for mounting plates | 0642600000 |
| Fastening screws for terminal rails* | 1274150000 |
| Mounting rails**, TS35x7.5 | |
| Horizontally | 8000006724 |
| Vertical | 8000006713 |
| Stainless steel spacer M6 x 8, Set of 4 | |
| 10 mm length | 0935110000 |
| 15 mm length | 0935120000 |
| 20 mm length | 0935130000 |
| 30 mm length | 0935140000 |
| Gland plates - 3 mm with M6 earth studs | |
| Top and bottom sides (A & B), electropolished stainless steel 1.4404 | 2023490000 |
| Left and right sides (C & D), electropolished stainless steel 1.4404 | 2023500000 |
| Gland plates and screws - 6 mm | |
| Top and bottom sides (A & B), electropolished stainless steel 1.4404 | 1256480000 |
| Left and right sides (C & D), electropolished stainless steel 1.4404 | 1256490000 |
| Mounting screw, stainless steel 1.4404 | 1253230000 |
| Rain hoods | |
| Stainless steel 1.4301, mirror-polished | 1281450000 |
| Stainless steel 1.4404, electro-polished | 1314190000 |
| Label holder | |
| 70 x 70 angled stainless steel 1.4301 | 1279320000 |
| 130x50 stainless steel 1.4301 | 1283450000 |
| 100x25 stainless steel 1.4301 | 1257640000 |
| Document holders | |
| For DIN A6 size documents | 1252780000 |
| For DIN A5 size documents | 1252750000 |
| Set of fixings* | |
| For label holders, rain hoods and document holders (rivet) | 1252190000 |
| For plastic (Trafolyte), identification plate (screw) | 1285200000 |
| Earthing stud | |
| Stainless steel 1.4404, M10 | 1192690000 |
| Note | *Packing unit (PU) = 20 pcs., sufficient for 10 fixtures **Packing unit (PU) = 20 pcs., fixing screws 1274150000 available separately |



Guide value for max. number of terminals (industry)

| Assembly with terminal | vertical | horizontal |
|------------------------|----------|------------|
| 2.5 mm ² | 3x71 | 4x54 |
| 4 mm ² | 2x59 | 3x46 |
| 6 mm ² | 2x44 | 3x34 |
| 10 mm ² | 2x36 | 2x27 |
| 16 mm ² | 2x29 | 2x22 |
| 35 mm ² | 1x22 | 1x17 |

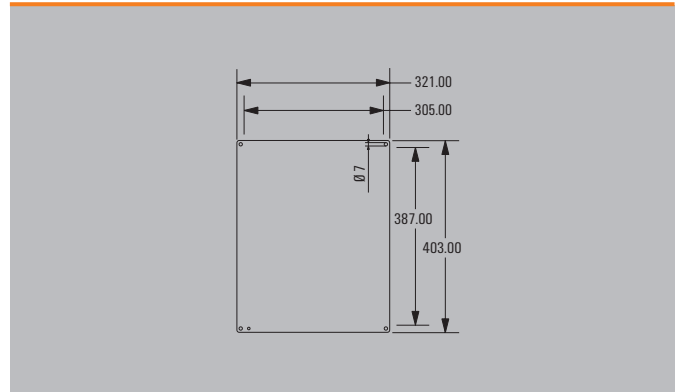
Note *For the enclosure versions with no, one or two gland plates, the horizontal distance of the mounting feet is reduced by 30 mm. When mounting modular terminals please leave a distance of 10 mm to the ends of the DIN rail. Ordering recommendations: TS 35 Mounting rail with clamping yoke technology WDU, spring-cage terminal ZDU or PUSH IN technology AZC TS 32 Mounting rail with clamping yoke technology SAK TS 15 Mounting rail with clamping yoke technology AKZ Order information for terminal blocks, please refer to online catalogue

Guide value for max. number of cable entries

| Cable entries | A / B | C / D |
|---------------|-------|-------|
| M12 | 30 | 33 |
| M16 | 17 | 19 |
| M20 | 15 | 16 |
| M25 | 6 | 7 |
| M32 | 5 | 6 |
| M40 | 4 | 5 |
| M50 | 4 | 4 |
| M63 | 0 | 0 |
| M75 | 0 | 0 |

Note Our IP 68 brass cable glands serve as a reference for these recommended values.

Dimensions of mounting plate





Height / Width / Depth 458 / 382 / 200 mm

Ordering data

| Stainless steel 1.4404 316L, electropolished | Order No. |
|---|------------|
| 0 gland plates | 1195050000 |
| 1 gland plate - positioned at the bottom (B) | 1195060000 |
| 2 gland plates - positioned at top and bottom (A & B)* | 1195070000 |
| 3 gland plates - positioned at bottom, left and right (B, C & D) | 1195080000 |
| 4 gland plates - positioned at top, bottom, left and right (A, B, C & D)* | 1195090000 |

Note *Minimum order quantity (10 pieces)

Accessories

| Mounting plates and fastening screws | Order No. |
|---|------------|
| Steel sheet, zinc plated | 1193990000 |
| With hole pattern, sheet steel, galvanised | 2022590000 |
| Stainless steel 1.4301 natural | 1193860000 |
| With hole pattern, natural stainless steel 1.4301 | 1257700000 |
| Fastening screws for mounting plates | 0642600000 |
| Fastening screws for terminal rails* | 1274150000 |

| Mounting rails**, TS35x7.5 | Order No. |
|----------------------------|------------|
| Horizontally | 8000006724 |
| Vertical | 8000006713 |

| Stainless steel spacer M6 x 8, Set of 4 | Order No. |
|---|------------|
| 10 mm length | 0935110000 |
| 15 mm length | 0935120000 |
| 20 mm length | 0935130000 |
| 30 mm length | 0935140000 |

| Gland plates - 3 mm with M6 earth studs | Order No. |
|--|------------|
| Top and bottom sides (A & B), electropolished stainless steel 1.4404 | 2023510000 |
| Left and right sides (C & D), electropolished stainless steel 1.4404 | 2023520000 |

| Gland plates and screws - 6 mm | Order No. |
|--|------------|
| Top and bottom sides (A & B), electropolished stainless steel 1.4404 | 1256510000 |
| Left and right sides (C & D), electropolished stainless steel 1.4404 | 1256520000 |
| Mounting screw, stainless steel 1.4404 | 1253230000 |

| Rain hoods | Order No. |
|--|------------|
| Stainless steel 1.4301, mirror-polished | 1281460000 |
| Stainless steel 1.4404, electro-polished | 1314200000 |

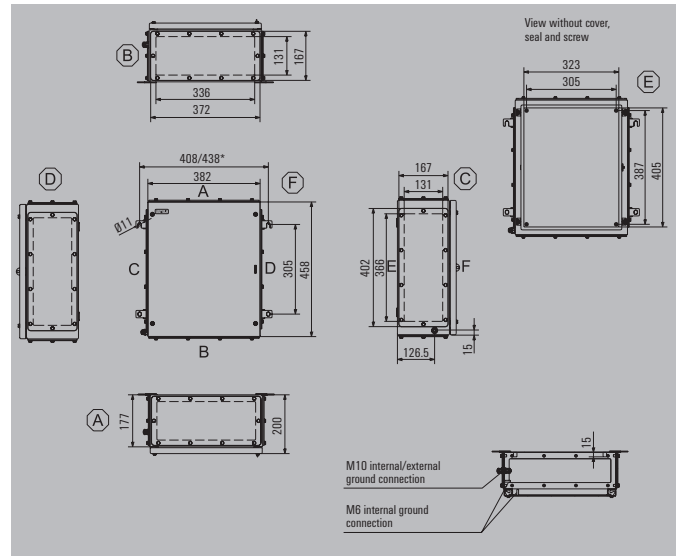
| Label holder | Order No. |
|---------------------------------------|------------|
| 70 x 70 angled stainless steel 1.4301 | 1279320000 |
| 130x50 stainless steel 1.4301 | 1283450000 |
| 100x25 stainless steel 1.4301 | 1257640000 |

| Document holders | Order No. |
|---------------------------|------------|
| For DIN A6 size documents | 1252780000 |
| For DIN A5 size documents | 1252750000 |

| Set of fixings* | Order No. |
|--|------------|
| For label holders, rain hoods and document holders (rivet) | 1252190000 |
| For plastic (Trafolyte), identification plate (screw) | 1285200000 |

| Earthing stud | Order No. |
|-----------------------------|------------|
| Stainless steel 1.4404, M10 | 1192690000 |

Note *Packing unit (PU) = 20 pcs., sufficient for 10 fixtures
**Packing unit (PU) = 20 pcs., fixing screws 1274150000 available separately



Guide value for max. number of terminals (industry)

| Assembly with terminal | vertical | horizontal |
|------------------------|----------|------------|
| 2.5 mm ² | 3x71 | 4x54 |
| 4 mm ² | 2x59 | 3x46 |
| 6 mm ² | 2x44 | 3x34 |
| 10 mm ² | 2x36 | 2x27 |
| 16 mm ² | 2x29 | 2x22 |
| 35 mm ² | 1x22 | 1x17 |

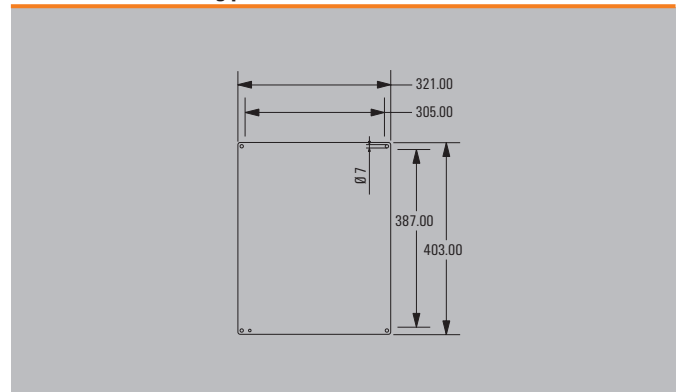
Note *For the enclosure versions with no, one or two gland plates, the horizontal distance of the mounting feet is reduced by 30 mm. When mounting modular terminals please leave a distance of 10 mm to the ends of the DIN rail. Ordering recommendations: TS 35 Mounting rail with clamping yoke technology WDU, spring-cage terminal ZDU or PUSH IN technology AZC TS 32 Mounting rail with clamping yoke technology SAK TS 15 Mounting rail with clamping yoke technology AKZ Order information for terminal blocks, please refer to online catalogue

Guide value for max. number of cable entries

| Cable entries | A / B | C / D |
|---------------|-------|-------|
| M12 | 50 | 55 |
| M16 | 34 | 38 |
| M20 | 23 | 24 |
| M25 | 18 | 21 |
| M32 | 10 | 11 |
| M40 | 8 | 9 |
| M50 | 4 | 4 |
| M63 | 3 | 3 |
| M75 | 2 | 3 |

Note Our IP 68 brass cable glands serve as a reference for these recommended values.

Dimensions of mounting plate





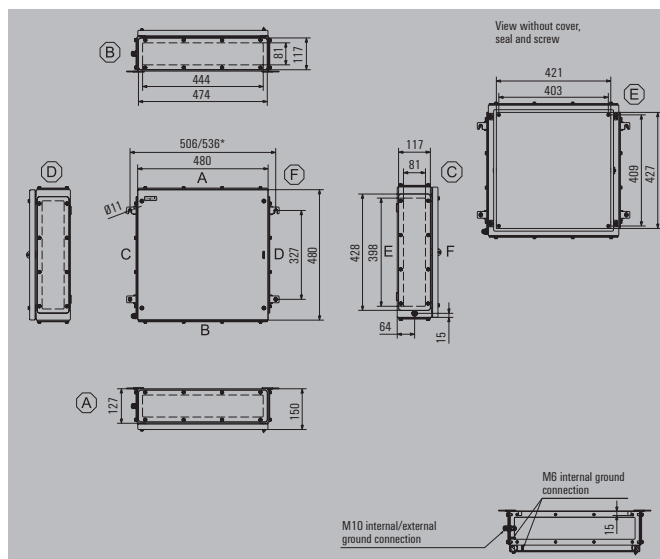
Height / Width / Depth 480 / 480 / 150 mm

Ordering data

| Stainless steel 1.4404 316L, electropolished | Order No. |
|---|-------------------------------------|
| 0 gland plates | 1195100000 |
| 1 gland plate - positioned at the bottom (B) | 1195110000 |
| 2 gland plates - positioned at top and bottom (A & B)* | 1195120000 |
| 3 gland plates - positioned at bottom, left and right (B, C & D) | 1195130000 |
| 4 gland plates - positioned at top, bottom, left and right (A, B, C & D)* | 1195140000 |
| Note | *Minimum order quantity (10 pieces) |

Accessories

| Mounting plates and fastening screws | Order No. |
|--|--|
| Steel sheet, zinc plated | 1194000000 |
| With hole pattern, sheet steel, galvanised | 2022610000 |
| Stainless steel 1.4301 natural | 1193870000 |
| With hole pattern, natural stainless steel 1.4301 | 1257710000 |
| Fastening screws for mounting plates | 0642600000 |
| Fastening screws for terminal rails* | 1274150000 |
| Mounting rails**, TS35x7.5 | |
| Vertical | 8000006714 |
| Horizontally | 8000006725 |
| Stainless steel spacer M6 x 8, Set of 4 | |
| 10 mm length | 0935110000 |
| 15 mm length | 0935120000 |
| 20 mm length | 0935130000 |
| 30 mm length | 0935140000 |
| Gland plates - 3 mm with M6 earth studs | |
| Top and bottom sides (A & B), electropolished stainless steel 1.4404 | 2023530000 |
| Left and right sides (C & D), electropolished stainless steel 1.4404 | 2023540000 |
| Gland plates and screws - 6 mm | |
| Top and bottom sides (A & B), electropolished stainless steel 1.4404 | 1256530000 |
| Left and right sides (C & D), electropolished stainless steel 1.4404 | 1256540000 |
| Mounting screw, stainless steel 1.4404 | 1253230000 |
| Rain hoods | |
| Stainless steel 1.4301, mirror-polished | 1281470000 |
| Stainless steel 1.4404, electro-polished | 1314220000 |
| Label holder | |
| 70 x 70 angled stainless steel 1.4301 | 1279320000 |
| 130x50 stainless steel 1.4301 | 1283450000 |
| 100x25 stainless steel 1.4301 | 1257640000 |
| Document holders | |
| For DIN A6 size documents | 1252780000 |
| For DIN A5 size documents | 1252750000 |
| For DIN A4 size documents | 1252730000 |
| Set of fixings* | |
| For label holders, rain hoods and document holders (rivet) | 1252190000 |
| For plastic (Trafolyte), identification plate (screw) | 1285200000 |
| Earthing stud | |
| Stainless steel 1.4404, M10 | 1192690000 |
| Note | *Packing unit (PU) = 20 pcs., sufficient for 10 fixtures **Packing unit (PU) = 20 pcs., fixing screws 1274150000 available separately |



Guide value for max. number of terminals (industry)

| Assembly with terminal | vertical | horizontal |
|------------------------|----------|------------|
| 2.5 mm ² | 4x75 | 4x74 |
| 4 mm ² | 3x62 | 3x62 |
| 6 mm ² | 3x47 | 3x46 |
| 10 mm ² | 2x38 | 3x37 |
| 16 mm ² | 2x31 | 2x31 |
| 35 mm ² | 1x23 | 2x23 |

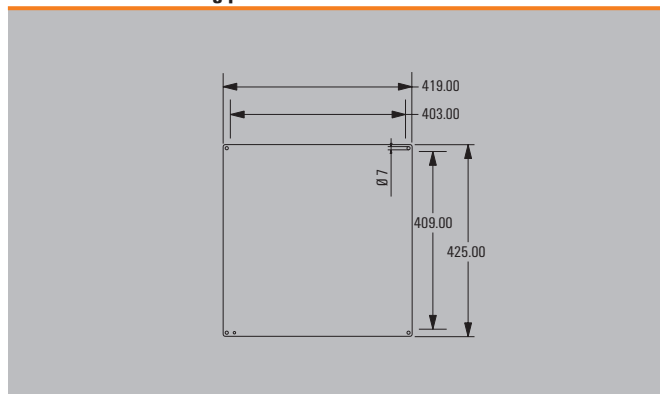
Note *For the enclosure versions with no, one or two gland plates, the horizontal distance of the mounting feet is reduced by 30 mm. When mounting modular terminals please leave a distance of 10 mm to the ends of the DIN rail. Ordering recommendations: TS 35 Mounting rail with clamping yoke technology WDU, spring-cage terminal ZDU or PUSH IN technology AZC TS 32 Mounting rail with clamping yoke technology SAK TS 15 Mounting rail with clamping yoke technology AKZ Order information for terminal blocks, please refer to online catalogue

Guide value for max. number of cable entries

| Cable entries | A / B | C / D |
|---------------|-------|-------|
| M12 | 39 | 36 |
| M16 | 22 | 20 |
| M20 | 19 | 17 |
| M25 | 8 | 7 |
| M32 | 7 | 6 |
| M40 | 6 | 5 |
| M50 | 5 | 4 |
| M63 | 0 | 0 |
| M75 | 0 | 0 |

Note Our IP 68 brass cable glands serve as a reference for these recommended values.

Dimensions of mounting plate





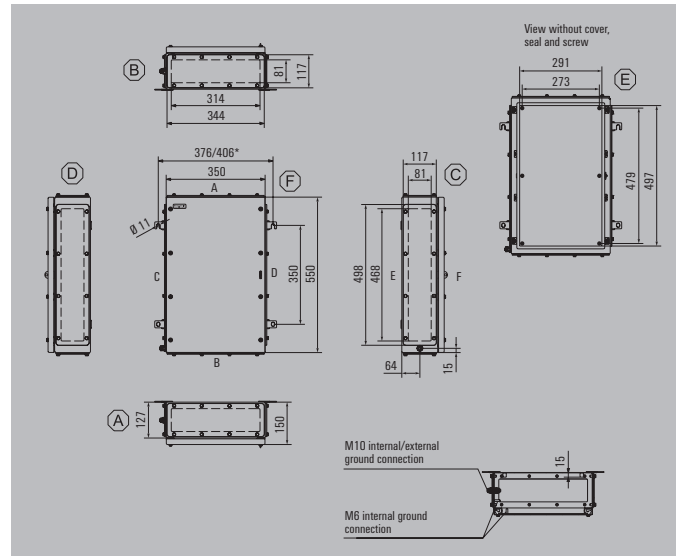
Height / Width / Depth 550 / 350 / 150 mm

Ordering data

| Stainless steel 1.4404 316L, electropolished | Order No. |
|---|-------------------------------------|
| 0 gland plates | 1195200000 |
| 1 gland plate - positioned at the bottom (B) | 1195210000 |
| 2 gland plates - positioned at top and bottom (A & B)* | 1195220000 |
| 3 gland plates - positioned at bottom, left and right (B, C & D) | 1195230000 |
| 4 gland plates - positioned at top, bottom, left and right (A, B, C & D)* | 1195240000 |
| Note | *Minimum order quantity (10 pieces) |

Accessories

| Mounting plates and fastening screws | Order No. |
|--|--|
| Steel sheet, zinc plated | 1194010000 |
| With hole pattern, sheet steel, galvanised | 2022650000 |
| Stainless steel 1.4301 natural | 1193880000 |
| With hole pattern, natural stainless steel 1.4301 | 1257720000 |
| Fastening screws for mounting plates | 0642600000 |
| Fastening screws for terminal rails* | 1274150000 |
| Mounting rails**, TS35x7.5 | |
| Horizontally | 8000006726 |
| Vertical | 8000006715 |
| Stainless steel spacer M6 x 8, Set of 4 | |
| 10 mm length | 0935110000 |
| 15 mm length | 0935120000 |
| 20 mm length | 0935130000 |
| 30 mm length | 0935140000 |
| Gland plates - 3 mm with M6 earth studs | |
| Top and bottom sides (A & B), electropolished stainless steel 1.4404 | 2023660000 |
| Left and right sides (C & D), electropolished stainless steel 1.4404 | 2023670000 |
| Gland plates and screws - 6 mm | |
| Top and bottom sides (A & B), electropolished stainless steel 1.4404 | 1256570000 |
| Left and right sides (C & D), electropolished stainless steel 1.4404 | 1256580000 |
| Mounting screw, stainless steel 1.4404 | 1253230000 |
| Rain hoods | |
| Stainless steel 1.4301, mirror-polished | 1281490000 |
| Stainless steel 1.4404, electro-polished | 1314240000 |
| Label holder | |
| 70 x 70 angled stainless steel 1.4301 | 1279320000 |
| 130x50 stainless steel 1.4301 | 1283450000 |
| 100x25 stainless steel 1.4301 | 1257640000 |
| Document holders | |
| For DIN A6 size documents | 1252780000 |
| For DIN A5 size documents | 1252750000 |
| For DIN A4 size documents | 1252730000 |
| Set of fixings* | |
| For label holders, rain hoods and document holders (rivet) | 1252190000 |
| For plastic (Trafolyte), identification plate (screw) | 1285200000 |
| Earthing stud | |
| Stainless steel 1.4404, M10 | 1192690000 |
| Note | *Packing unit (PU) = 20 pcs., sufficient for 10 fixtures **Packing unit (PU) = 20 pcs., fixing screws 1274150000 available separately |



Guide value for max. number of terminals (industry)

| Assembly with terminal | vertical | horizontal |
|------------------------|----------|------------|
| 2.5 mm ² | 2x89 | 4x48 |
| 4 mm ² | 2x73 | 4x40 |
| 6 mm ² | 2x55 | 4x30 |
| 10 mm ² | 2x45 | 3x24 |
| 16 mm ² | 1x37 | 3x20 |
| 35 mm ² | 1x28 | 2x15 |

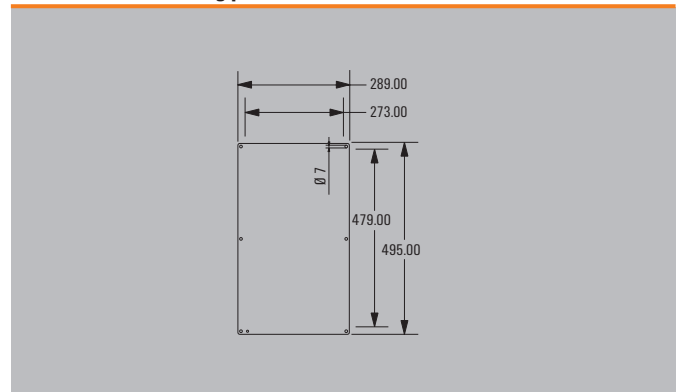
Note *For the enclosure versions with no, one or two gland plates, the horizontal distance of the mounting feet is reduced by 30 mm. When mounting modular terminals please leave a distance of 10 mm to the ends of the DIN rail. Ordering recommendations: TS 35 Mounting rail with clamping yoke technology WDU, spring-cage terminal ZDU or PUSH IN technology AZC TS 32 Mounting rail with clamping yoke technology SAK TS 15 Mounting rail with clamping yoke technology AKZ Order information for terminal blocks, please refer to online catalogue

Guide value for max. number of cable entries

| Cable entries | A / B | C / D |
|---------------|-------|-------|
| M12 | 27 | 42 |
| M16 | 15 | 24 |
| M20 | 13 | 20 |
| M25 | 6 | 9 |
| M32 | 5 | 7 |
| M40 | 4 | 6 |
| M50 | 3 | 5 |
| M63 | 0 | 0 |
| M75 | 0 | 0 |

Note Our IP 68 brass cable glands serve as a reference for these recommended values.

Dimensions of mounting plate





Height / Width / Depth 550 / 350 / 200 mm

Ordering data

| Stainless steel 1.4404 316L, electropolished | Order No. |
|---|------------|
| 0 gland plates | 1195250000 |
| 1 gland plate - positioned at the bottom (B) | 1195260000 |
| 2 gland plates - positioned at top and bottom (A & B)* | 1195270000 |
| 3 gland plates - positioned at bottom, left and right (B, C & D) | 1195280000 |
| 4 gland plates - positioned at top, bottom, left and right (A, B, C & D)* | 1195290000 |

Note *Minimum order quantity (10 pieces)

Accessories

| Mounting plates and fastening screws | Order No. |
|---|------------|
| Steel sheet, zinc plated | 1194010000 |
| With hole pattern, sheet steel, galvanised | 2022650000 |
| Stainless steel 1.4301 natural | 1193880000 |
| With hole pattern, natural stainless steel 1.4301 | 1257720000 |
| Fastening screws for mounting plates | 0642600000 |
| Fastening screws for terminal rails* | 1274150000 |

| Mounting rails**, TS35x7.5 | Order No. |
|----------------------------|------------|
| Horizontally | 8000006726 |
| Vertical | 8000006715 |

| Stainless steel spacer M6 x 8, Set of 4 | Order No. |
|---|------------|
| 10 mm length | 0935110000 |
| 15 mm length | 0935120000 |
| 20 mm length | 0935130000 |
| 30 mm length | 0935140000 |

| Gland plates - 3 mm with M6 earth studs | Order No. |
|--|------------|
| Top and bottom sides (A & B), electropolished stainless steel 1.4404 | 2023740000 |
| Left and right sides (C & D), electropolished stainless steel 1.4404 | 2023790000 |

| Gland plates and screws - 6 mm | Order No. |
|--|------------|
| Top and bottom sides (A & B), electropolished stainless steel 1.4404 | 1256590000 |
| Left and right sides (C & D), electropolished stainless steel 1.4404 | 1256610000 |
| Mounting screw, stainless steel 1.4404 | 1253230000 |

| Rain hoods | Order No. |
|--|------------|
| Stainless steel 1.4301, mirror-polished | 1281500000 |
| Stainless steel 1.4404, electro-polished | 1314250000 |

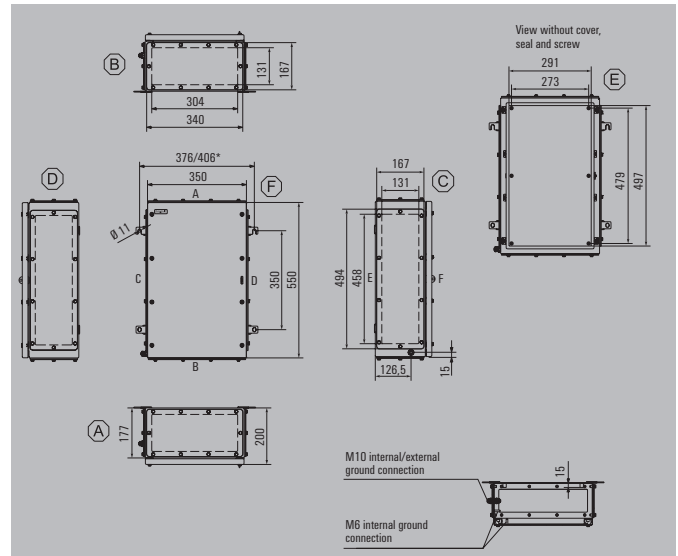
| Label holder | Order No. |
|---------------------------------------|------------|
| 70 x 70 angled stainless steel 1.4301 | 1279320000 |
| 130x50 stainless steel 1.4301 | 1283450000 |
| 100x25 stainless steel 1.4301 | 1257640000 |

| Document holders | Order No. |
|---------------------------|------------|
| For DIN A6 size documents | 1252780000 |
| For DIN A5 size documents | 1252750000 |
| For DIN A4 size documents | 1252730000 |

| Set of fixings* | Order No. |
|--|------------|
| For label holders, rain hoods and document holders (rivet) | 1252190000 |
| For plastic (Trafolyte), identification plate (screw) | 1285200000 |

| Earthing stud | Order No. |
|-----------------------------|------------|
| Stainless steel 1.4404, M10 | 1192690000 |

Note *Packing unit (PU) = 20 pcs., sufficient for 10 fixtures
**Packing unit (PU) = 20 pcs., fixing screws 1274150000 available separately



Guide value for max. number of terminals (industry)

| Assembly with terminal | vertical | horizontal |
|------------------------|----------|------------|
| 2.5 mm ² | 2x89 | 4x48 |
| 4 mm ² | 2x73 | 4x40 |
| 6 mm ² | 2x55 | 4x30 |
| 10 mm ² | 2x45 | 3x24 |
| 16 mm ² | 1x37 | 3x20 |
| 35 mm ² | 1x28 | 2x15 |

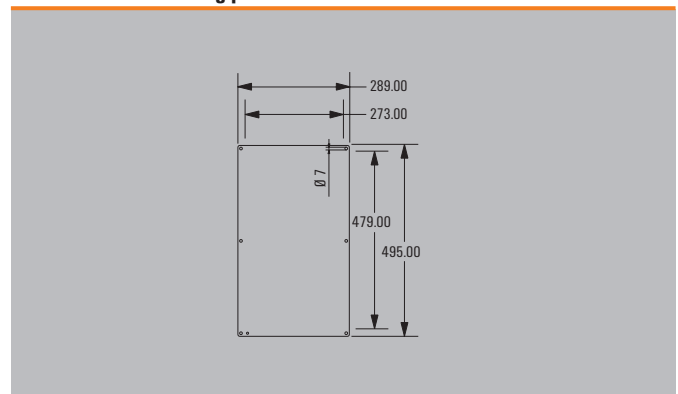
Note *For the enclosure versions with no, one or two gland plates, the horizontal distance of the mounting feet is reduced by 30 mm. When mounting modular terminals please leave a distance of 10 mm to the ends of the DIN rail. Ordering recommendations: TS 35 Mounting rail with clamping yoke technology WDU, spring-cage terminal ZDU or PUSH IN technology AZC TS 32 Mounting rail with clamping yoke technology SAJ TS 15 Mounting rail with clamping yoke technology AKZ Order information for terminal blocks, please refer to online catalogue

Guide value for max. number of cable entries

| Cable entries | A / B | C / D |
|---------------|-------|-------|
| M12 | 45 | 70 |
| M16 | 30 | 48 |
| M20 | 20 | 30 |
| M25 | 17 | 26 |
| M32 | 9 | 14 |
| M40 | 7 | 12 |
| M50 | 3 | 5 |
| M63 | 3 | 4 |
| M75 | 2 | 3 |

Note Our IP 68 brass cable glands serve as a reference for these recommended values.

Dimensions of mounting plate





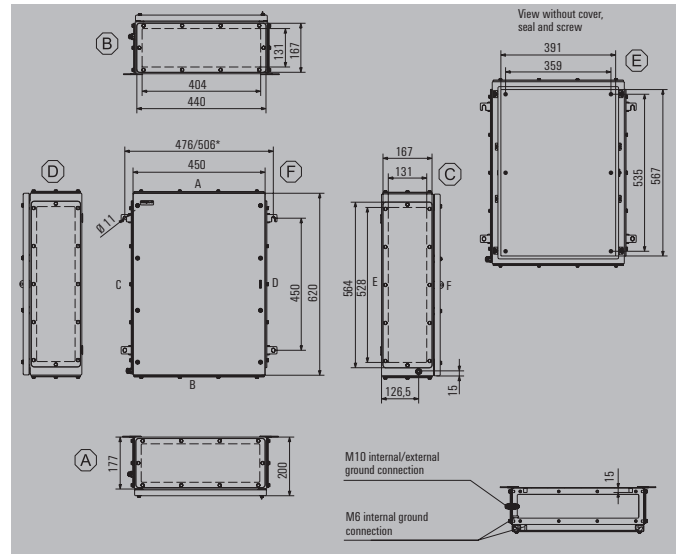
Height / Width / Depth 620 / 450 / 200 mm

Ordering data

| Stainless steel 1.4404 316L, electropolished | | Order No. |
|--|---|------------|
| | 0 gland plates | 1195350000 |
| | 1 gland plate - positioned at the bottom (B) | 1195360000 |
| | 2 gland plates - positioned at top and bottom (A & B)* | 1195370000 |
| | 3 gland plates - positioned at bottom, left and right (B, C & D) | 1195380000 |
| | 4 gland plates - positioned at top, bottom, left and right (A, B, C & D)* | 1195390000 |
| Note | *Minimum order quantity (5 pieces) | |

Accessories

| Mounting plates and fastening screws | | Order No. |
|---|--|------------|
| | Steel sheet, zinc plated | 1194020000 |
| | With hole pattern, sheet steel, galvanised | 2022670000 |
| | Stainless steel 1.4301 natural | 1193890000 |
| | With hole pattern, natural stainless steel 1.4301 | 1257740000 |
| | Fastening screws for mounting plates | 0642600000 |
| | Fastening screws for terminal rails* | 1274150000 |
| Mounting rails**, TS35x7.5 | | |
| | Horizontally | 8000006727 |
| | Vertical | 8000006716 |
| Stainless steel spacer M6 x 8, Set of 4 | | |
| | 10 mm length | 0935110000 |
| | 15 mm length | 0935120000 |
| | 20 mm length | 0935130000 |
| | 30 mm length | 0935140000 |
| Gland plates - 3 mm with M6 earth studs | | |
| | Top and bottom sides (A & B), electropolished stainless steel 1.4404 | 2023880000 |
| | Left and right sides (C & D), electropolished stainless steel 1.4404 | 2023930000 |
| Gland plates and screws - 6 mm | | |
| | Top and bottom sides (A & B), electropolished stainless steel 1.4404 | 1256640000 |
| | Left and right sides (C & D), electropolished stainless steel 1.4404 | 1256650000 |
| | Mounting screw, stainless steel 1.4404 | 1253230000 |
| Rain hoods | | |
| | Stainless steel 1.4301, mirror-polished | 1281520000 |
| | Stainless steel 1.4404, electro-polished | 1314280000 |
| Label holder | | |
| | 70 x 70 angled stainless steel 1.4301 | 1279320000 |
| | 130x50 stainless steel 1.4301 | 1283450000 |
| | 100x25 stainless steel 1.4301 | 1257640000 |
| Document holders | | |
| | For DIN A6 size documents | 1252780000 |
| | For DIN A5 size documents | 1252750000 |
| | For DIN A4 size documents | 1252730000 |
| Set of fixings* | | |
| | For label holders, rain hoods and document holders (rivet) | 1252190000 |
| | For plastic (Trafolyte), identification plate (screw) | 1285200000 |
| Earthing stud | | |
| | Stainless steel 1.4404, M10 | 1192690000 |
| Note | *Packing unit (PU) = 20 pcs., sufficient for 10 fixtures **Packing unit (PU) = 20 pcs., fixing screws 1274150000 available separately | |



Guide value for max. number of terminals (industry)

| Assembly with terminal | vertical | horizontal |
|------------------------|----------|------------|
| 2.5 mm ² | 3x101 | 5x65 |
| 4 mm ² | 3x83 | 5x54 |
| 6 mm ² | 3x62 | 4x41 |
| 10 mm ² | 2x49 | 4x33 |
| 16 mm ² | 2x42 | 3x26 |
| 35 mm ² | 1x31 | 2x20 |

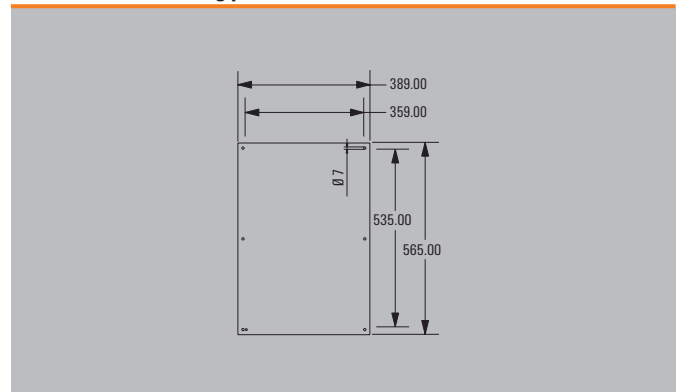
Note *For the enclosure versions with no, one or two gland plates, the horizontal distance of the mounting feet is reduced by 30 mm. When mounting modular terminals please leave a distance of 10 mm to the ends of the DIN rail. Ordering recommendations: TS 35 Mounting rail with clamping yoke technology WDU, spring-cage terminal ZDU or PUSH IN technology AZC TS 32 Mounting rail with clamping yoke technology SAK TS 15 Mounting rail with clamping yoke technology AKZ Order information for terminal blocks, please refer to online catalogue

Guide value for max. number of cable entries

| Cable entries | A / B | C / D |
|---------------|-------|-------|
| M12 | 63 | 80 |
| M16 | 42 | 54 |
| M20 | 27 | 36 |
| M25 | 23 | 30 |
| M32 | 12 | 17 |
| M40 | 10 | 14 |
| M50 | 4 | 6 |
| M63 | 4 | 5 |
| M75 | 3 | 4 |

Note Our IP 68 brass cable glands serve as a reference for these recommended values.

Dimensions of mounting plate





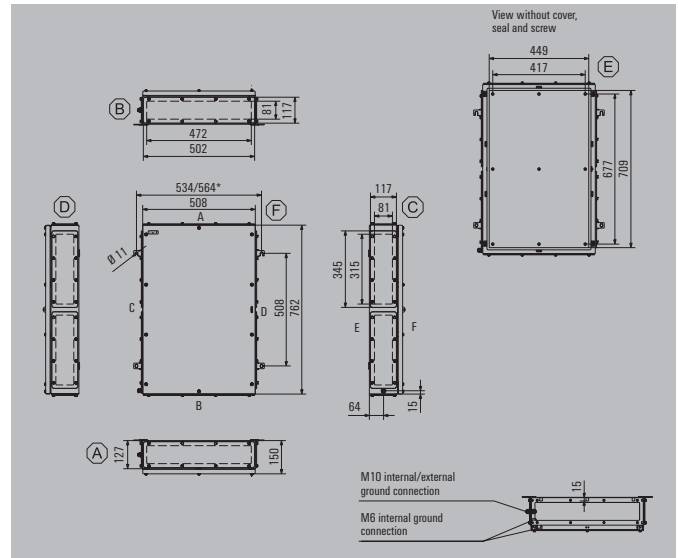
Height / Width / Depth 762 / 508 / 150 mm

Ordering data

| Stainless steel 1.4404 316L, electropolished | | Order No. |
|---|------------------------------------|------------|
| 0 gland plates | | 1195400000 |
| 1 gland plate - positioned at the bottom (B) | | 1195410000 |
| 2 gland plates - positioned at top and bottom (A & B)* | | 1195420000 |
| 3 gland plates - positioned at bottom, left and right (B, C & D) | | 1195430000 |
| 4 gland plates - positioned at top, bottom, left and right (A, B, C & D)* | | 1195440000 |
| Note | *Minimum order quantity (5 pieces) | |

Accessories

| | | |
|--|--|------------------|
| Mounting plates and fastening screws | | Order No. |
| Steel sheet, zinc plated | | 1194030000 |
| With hole pattern, sheet steel, galvanised | | 2022680000 |
| Stainless steel 1.4301 natural | | 1193900000 |
| With hole pattern, natural stainless steel 1.4301 | | 1257750000 |
| Fastening screws for mounting plates | | 0642600000 |
| Fastening screws for terminal rails* | | 1274150000 |
| Mounting rails** , TS35x7.5 | | |
| Horizontally | | 8000006728 |
| Vertical | | 8000006717 |
| Stainless steel spacer M6 x 8, Set of 4 | | |
| 10 mm length | | 0935110000 |
| 15 mm length | | 0935120000 |
| 20 mm length | | 0935130000 |
| 30 mm length | | 0935140000 |
| Gland plates - 3 mm with M6 earth studs | | |
| Top and bottom sides (A & B), electropolished stainless steel 1.4404 | | 2024040000 |
| Left and right sides (C & D), electropolished stainless steel 1.4404 | | 2024090000 |
| Gland plates and screws - 6 mm | | |
| Top and bottom sides (A & B), electropolished stainless steel 1.4404 | | 1256660000 |
| Left and right sides (C & D), electropolished stainless steel 1.4404 | | 1256670000 |
| Mounting screw, stainless steel 1.4404 | | 1253230000 |
| Rain hoods | | |
| Stainless steel 1.4301, mirror-polished | | 1281530000 |
| Stainless steel 1.4404, electro-polished | | 1314290000 |
| Label holder | | |
| 70 x 70 angled stainless steel 1.4301 | | 1279320000 |
| 130x50 stainless steel 1.4301 | | 1283450000 |
| 100x25 stainless steel 1.4301 | | 1257640000 |
| Document holders | | |
| For DIN A6 size documents | | 1252780000 |
| For DIN A5 size documents | | 1252750000 |
| For DIN A4 size documents | | 1252730000 |
| Set of fixings* | | |
| For label holders, rain hoods and document holders (rivet) | | 1252190000 |
| For plastic (Trafolyte), identification plate (screw) | | 1285200000 |
| Earthing stud | | |
| Stainless steel 1.4404, M10 | | 1192690000 |
| Note | *Packing unit (PU) = 20 pcs., sufficient for 10 fixtures **Packing unit (PU) = 20 pcs., fixing screws 1274150000 available separately | |



Guide value for max. number of terminals (industry)

| Assembly with terminal | vertical | horizontal |
|------------------------|----------|------------|
| 2.5 mm ² | 4x128 | 7x78 |
| 4 mm ² | 4x107 | 6x64 |
| 6 mm ² | 3x80 | 5x48 |
| 10 mm ² | 3x65 | 5x39 |
| 16 mm ² | 2x53 | 4x32 |
| 35 mm ² | 2x40 | 3x24 |

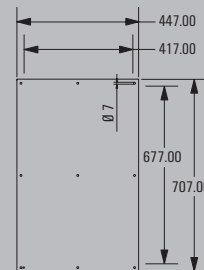
Note *For the enclosure versions with no, one or two gland plates, the horizontal distance of the mounting feet is reduced by 30 mm. When mounting modular terminals please leave a distance of 10 mm to the ends of the DIN rail. Ordering recommendations: TS 35 Mounting rail with clamping yoke technology WDU, spring-cage terminal ZDU or PUSH IN technology AZC TS 32 Mounting rail with clamping yoke technology SAK TS 15 Mounting rail with clamping yoke technology AKZ Order information for terminal blocks, please refer to online catalogue

Guide value for max. number of cable entries

| Cable entries | A / B | C / D |
|---------------|-------|-------|
| M12 | 42 | 58 |
| M16 | 24 | 32 |
| M20 | 21 | 26 |
| M25 | 9 | 12 |
| M32 | 7 | 10 |
| M40 | 6 | 8 |
| M50 | 5 | 6 |
| M63 | 0 | 0 |
| M75 | 0 | 0 |

Note Our IP 68 brass cable glands serve as a reference for these recommended values.

Dimensions of mounting plate



Klippon® TB MH 765020

Depth 200 mm



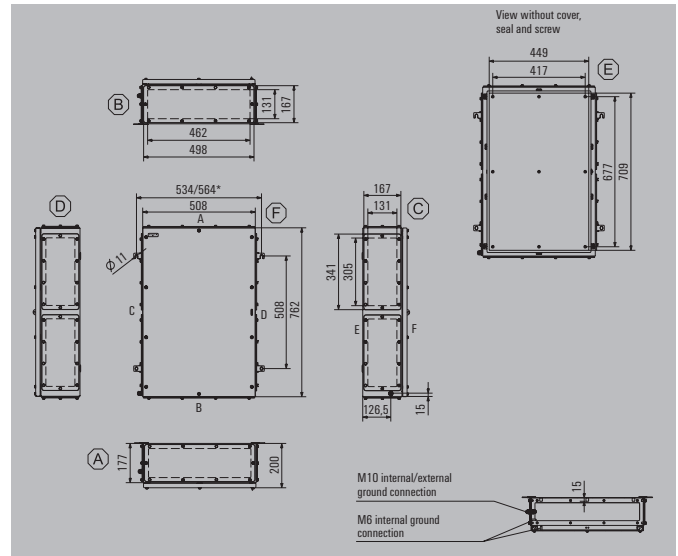
Height / Width / Depth 762 / 508 / 200 mm

Ordering data

| Stainless steel 1.4404 316L, electropolished | | Order No. |
|--|---|------------|
| | 0 gland plates | 1195450000 |
| | 1 gland plate - positioned at the bottom (B) | 1195460000 |
| | 2 gland plates - positioned at top and bottom (A & B)* | 1195470000 |
| | 3 gland plates - positioned at bottom, left and right (B, C & D) | 1195480000 |
| | 4 gland plates - positioned at top, bottom, left and right (A, B, C & D)* | 1195490000 |
| Note | *Minimum order quantity (5 pieces) | |

Accessories

| Mounting plates and fastening screws | | Order No. |
|---|--|------------|
| | Steel sheet, zinc plated | 1194030000 |
| | With hole pattern, sheet steel, galvanised | 2022680000 |
| | Stainless steel 1.4301 natural | 1193900000 |
| | With hole pattern, natural stainless steel 1.4301 | 1257750000 |
| | Fastening screws for mounting plates | 0642600000 |
| | Fastening screws for terminal rails* | 1274150000 |
| Mounting rails**, TS35x7.5 | | |
| | Horizontally | 8000006728 |
| | Vertical | 8000006717 |
| Stainless steel spacer M6 x 8, Set of 4 | | |
| | 10 mm length | 0935110000 |
| | 15 mm length | 0935120000 |
| | 20 mm length | 0935130000 |
| | 30 mm length | 0935140000 |
| Gland plates - 3 mm with M6 earth studs | | |
| | Top and bottom sides (A & B), electropolished stainless steel 1.4404 | 2024100000 |
| | Left and right sides (C & D), electropolished stainless steel 1.4404 | 2024140000 |
| Gland plates and screws - 6 mm | | |
| | Top and bottom sides (A & B), electropolished stainless steel 1.4404 | 1256680000 |
| | Left and right sides (C & D), electropolished stainless steel 1.4404 | 1256690000 |
| | Mounting screw, stainless steel 1.4404 | 1253230000 |
| Rain hoods | | |
| | Stainless steel 1.4301, mirror-polished | 1281540000 |
| | Stainless steel 1.4404, electro-polished | 1314300000 |
| Label holder | | |
| | 70 x 70 angled stainless steel 1.4301 | 1279320000 |
| | 130x50 stainless steel 1.4301 | 1283450000 |
| | 100x25 stainless steel 1.4301 | 1257640000 |
| Document holders | | |
| | For DIN A6 size documents | 1252780000 |
| | For DIN A5 size documents | 1252750000 |
| | For DIN A4 size documents | 1252730000 |
| Set of fixings* | | |
| | For label holders, rain hoods and document holders (rivet) | 1252190000 |
| | For plastic (Trafolyte), identification plate (screw) | 1285200000 |
| Earthing stud | | |
| | Stainless steel 1.4404, M10 | 1192690000 |
| Note | *Packing unit (PU) = 20 pcs., sufficient for 10 fixtures **Packing unit (PU) = 20 pcs., fixing screws 1274150000 available separately | |



Guide value for max. number of terminals (industry)

| Assembly with terminal | vertical | horizontal |
|------------------------|----------|------------|
| 2.5 mm ² | 4x128 | 7x78 |
| 4 mm ² | 4x107 | 6x64 |
| 6 mm ² | 3x80 | 5x48 |
| 10 mm ² | 3x65 | 5x39 |
| 16 mm ² | 2x53 | 4x32 |
| 35 mm ² | 2x40 | 3x24 |

Note

*For the enclosure versions with no, one or two gland plates, the horizontal distance of the mounting feet is reduced by 30 mm. When mounting modular terminals please leave a distance of 10 mm to the ends of the DIN rail. Ordering recommendations: TS 35 Mounting rail with clamping yoke technology WDU, spring-cage terminal ZDU or PUSH IN technology AZC TS 32 Mounting rail with clamping yoke technology SAK TS 15 Mounting rail with clamping yoke technology AKZ Order information for terminal blocks, please refer to online catalogue

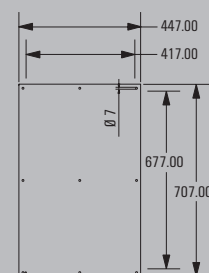
Guide value for max. number of cable entries

| Cable entries | A / B | C / D |
|---------------|-------|-------|
| M12 | 70 | 96 |
| M16 | 48 | 64 |
| M20 | 32 | 40 |
| M25 | 26 | 34 |
| M32 | 14 | 18 |
| M40 | 12 | 14 |
| M50 | 5 | 6 |
| M63 | 4 | 6 |
| M75 | 3 | 4 |

Note

Our IP 68 brass cable glands serve as a reference for these recommended values.

Dimensions of mounting plate





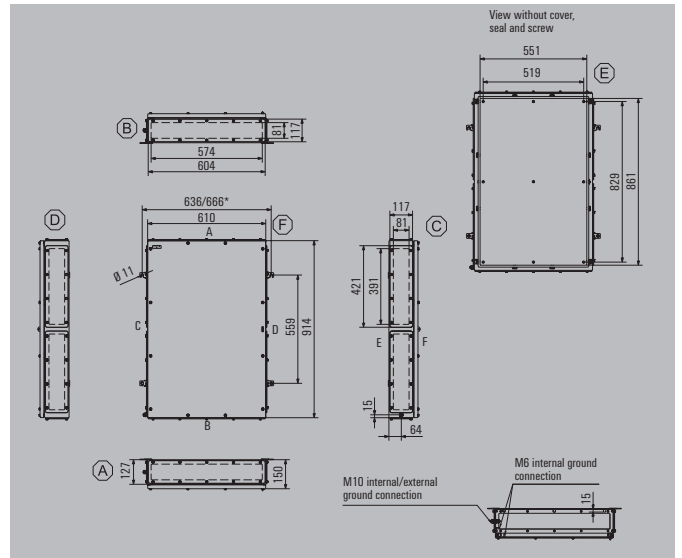
Height / Width / Depth 914 / 610 / 150 mm

Ordering data

| Stainless steel 1.4404 316L, electropolished | | Order No. |
|---|------------------------------------|------------|
| 0 gland plates | | 1195500000 |
| 1 gland plate - positioned at the bottom (B) | | 1195510000 |
| 2 gland plates - positioned at top and bottom (A & B)* | | 1195520000 |
| 3 gland plates - positioned at bottom, left and right (B, C & D) | | 1195530000 |
| 4 gland plates - positioned at top, bottom, left and right (A, B, C & D)* | | 1195540000 |
| Note | *Minimum order quantity (5 pieces) | |

Accessories

| Mounting plates and fastening screws | | Order No. |
|--|--|------------|
| Steel sheet, zinc plated | | 1194040000 |
| With hole pattern, sheet steel, galvanised | | 2022740000 |
| Stainless steel 1.4301 natural | | 1193910000 |
| With hole pattern, natural stainless steel 1.4301 | | 1257760000 |
| Fastening screws for mounting plates | | 0642600000 |
| Fastening screws for terminal rails* | | 1274150000 |
| Mounting rails** , TS35x7.5 | | |
| | Horizontally | 8000006729 |
| | Vertical | 8000006718 |
| Stainless steel spacer M6 x 8, Set of 4 | | |
| | 10 mm length | 0935110000 |
| | 15 mm length | 0935120000 |
| | 20 mm length | 0935130000 |
| | 30 mm length | 0935140000 |
| Gland plates - 3 mm with M6 earth studs | | |
| Top and bottom sides (A & B), electropolished stainless steel 1.4404 | | 2024150000 |
| Left and right sides (C & D), electropolished stainless steel 1.4404 | | 2024300000 |
| Gland plates and screws - 6 mm | | |
| Top and bottom sides (A & B), electropolished stainless steel 1.4404 | | 1256710000 |
| Left and right sides (C & D), electropolished stainless steel 1.4404 | | 1256720000 |
| Mounting screw, stainless steel 1.4404 | | 1253230000 |
| Rain hoods | | |
| Stainless steel 1.4301, mirror-polished | | 1281550000 |
| Stainless steel 1.4404, electro-polished | | 1314320000 |
| Label holder | | |
| 70 x 70 angled stainless steel 1.4301 | | 1279320000 |
| 130x50 stainless steel 1.4301 | | 1283450000 |
| 100x25 stainless steel 1.4301 | | 1257640000 |
| Document holders | | |
| For DIN A6 size documents | | 1252780000 |
| For DIN A5 size documents | | 1252750000 |
| For DIN A4 size documents | | 1252730000 |
| Set of fixings* | | |
| For label holders, rain hoods and document holders (rivet) | | 1252190000 |
| For plastic (Trafolyte), identification plate (screw) | | 1285200000 |
| Earthing stud | | |
| Stainless steel 1.4404, M10 | | 1192690000 |
| Note | *Packing unit (PU) = 20 pcs., sufficient for 10 fixtures **Packing unit (PU) = 20 pcs., fixing screws 1274150000 available separately | |



Guide value for max. number of terminals (industry)

| Assembly with terminal | vertical | horizontal |
|------------------------|----------|------------|
| 2.5 mm ² | 5x157 | 8x99 |
| 4 mm ² | 4x132 | 7x80 |
| 6 mm ² | 4x100 | 7x62 |
| 10 mm ² | 3x85 | 6x50 |
| 16 mm ² | 3x66 | 5x40 |
| 35 mm ² | 2x49 | 4x30 |

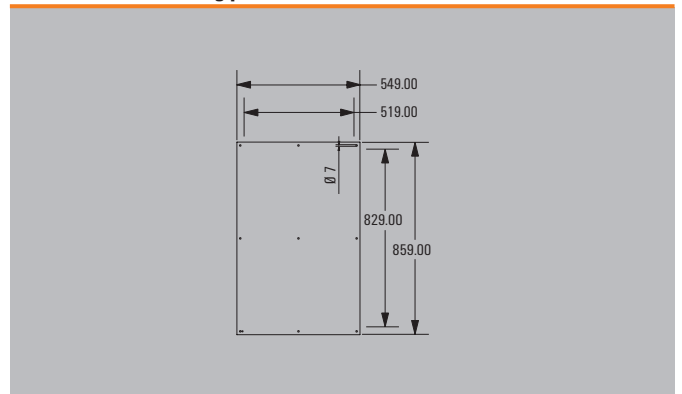
Note *For the enclosure versions with no, one or two gland plates, the horizontal distance of the mounting feet is reduced by 30 mm. When mounting modular terminals please leave a distance of 10 mm to the ends of the DIN rail. Ordering recommendations: TS 35 Mounting rail with clamping yoke technology WDU, spring-cage terminal ZDU or PUSH IN technology AZC TS 32 Mounting rail with clamping yoke technology SAK TS 15 Mounting rail with clamping yoke technology AKZ Order information for terminal blocks, please refer to online catalogue

Guide value for max. number of cable entries

| Cable entries | A / B | C / D |
|---------------|-------|-------|
| M12 | 53 | 70 |
| M16 | 29 | 40 |
| M20 | 25 | 34 |
| M25 | 11 | 14 |
| M32 | 9 | 12 |
| M40 | 8 | 10 |
| M50 | 6 | 8 |
| M63 | 0 | 0 |
| M75 | 0 | 0 |

Note Our IP 68 brass cable glands serve as a reference for these recommended values.

Dimensions of mounting plate





Height / Width / Depth 914 / 610 / 200 mm

Ordering data

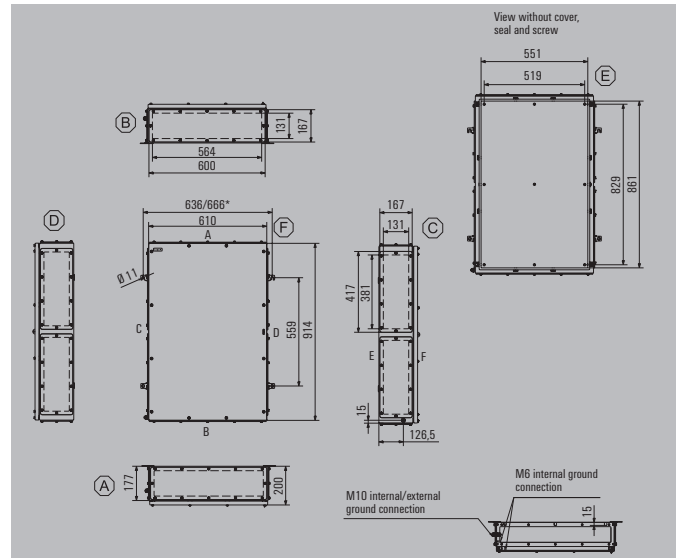
| Stainless steel 1.4404 316L, electropolished | Order No. |
|---|------------|
| 0 gland plates | 119550000 |
| 1 gland plate - positioned at the bottom (B) | 1195560000 |
| 2 gland plates - positioned at top and bottom (A & B)* | 1195570000 |
| 3 gland plates - positioned at bottom, left and right (B, C & D) | 1195580000 |
| 4 gland plates - positioned at top, bottom, left and right (A, B, C & D)* | 1195590000 |

Note *Minimum order quantity (5 pieces)

Accessories

| Mounting plates and fastening screws | Order No. |
|--|------------|
| Steel sheet, zinc plated | 1194040000 |
| With hole pattern, sheet steel, galvanised | 2022740000 |
| Stainless steel 1.4301 natural | 1193910000 |
| With hole pattern, natural stainless steel 1.4301 | 1257760000 |
| Fastening screws for mounting plates | 0642600000 |
| Fastening screws for terminal rails* | 1274150000 |
| Mounting rails**, TS35x7.5 | |
| Horizontally | 8000006729 |
| Vertical | 8000006718 |
| Stainless steel spacer M6 x 8, Set of 4 | |
| 10 mm length | 0935110000 |
| 15 mm length | 0935120000 |
| 20 mm length | 0935130000 |
| 30 mm length | 0935140000 |
| Gland plates - 3 mm with M6 earth studs | |
| Top and bottom sides (A & B), electropolished stainless steel 1.4404 | 2024470000 |
| Left and right sides (C & D), electropolished stainless steel 1.4404 | 2024490000 |
| Gland plates and screws - 6 mm | |
| Top and bottom sides (A & B), electropolished stainless steel 1.4404 | 1256730000 |
| Left and right sides (C & D), electropolished stainless steel 1.4404 | 1256740000 |
| Mounting screw, stainless steel 1.4404 | 1253230000 |
| Rain hoods | |
| Stainless steel 1.4301, mirror-polished | 1281570000 |
| Stainless steel 1.4404, electro-polished | 1314330000 |
| Label holder | |
| 70 x 70 angled stainless steel 1.4301 | 1279320000 |
| 130x50 stainless steel 1.4301 | 1283450000 |
| 100x25 stainless steel 1.4301 | 1257640000 |
| Document holders | |
| For DIN A6 size documents | 1252780000 |
| For DIN A5 size documents | 1252750000 |
| For DIN A4 size documents | 1252730000 |
| Set of fixings* | |
| For label holders, rain hoods and document holders (rivet) | 1252190000 |
| For plastic (Trafolyte), identification plate (screw) | 1285200000 |
| Earthing stud | |
| Stainless steel 1.4404, M10 | 1192690000 |

Note *Packing unit (PU) = 20 pcs., sufficient for 10 fixtures
**Packing unit (PU) = 20 pcs., fixing screws 1274150000 available separately



Guide value for max. number of terminals (industry)

| Assembly with terminal | vertical | horizontal |
|------------------------|----------|------------|
| 2.5 mm ² | 5x157 | 8x99 |
| 4 mm ² | 4x132 | 7x80 |
| 6 mm ² | 4x100 | 7x62 |
| 10 mm ² | 3x85 | 6x50 |
| 16 mm ² | 3x66 | 5x40 |
| 35 mm ² | 2x49 | 4x30 |

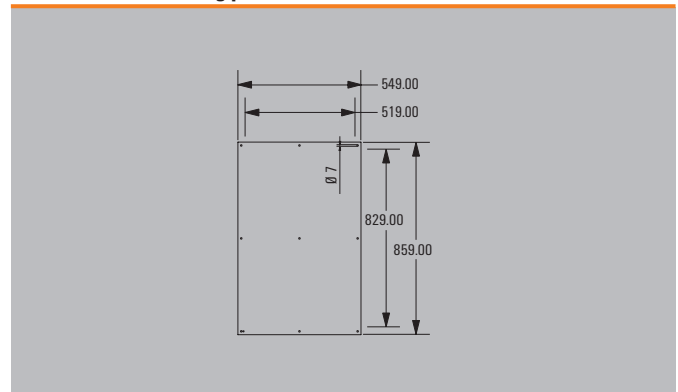
Note *For the enclosure versions with no, one or two gland plates, the horizontal distance of the mounting feet is reduced by 30 mm. When mounting modular terminals please leave a distance of 10 mm to the ends of the DIN rail. Ordering recommendations: TS 35 Mounting rail with clamping yoke technology WDU, spring-cage terminal ZDU or PUSH IN technology AZC TS 32 Mounting rail with clamping yoke technology SAK TS 15 Mounting rail with clamping yoke technology AKZ Order information for terminal blocks, please refer to online catalogue

Guide value for max. number of cable entries

| Cable entries | A / B | C / D |
|---------------|-------|-------|
| M12 | 88 | 116 |
| M16 | 58 | 80 |
| M20 | 38 | 52 |
| M25 | 33 | 42 |
| M32 | 18 | 24 |
| M40 | 15 | 20 |
| M50 | 6 | 8 |
| M63 | 5 | 6 |
| M75 | 4 | 6 |

Note Our IP 68 brass cable glands serve as a reference for these recommended values.

Dimensions of mounting plate





980 / 740 / 200 mm

Ordering data

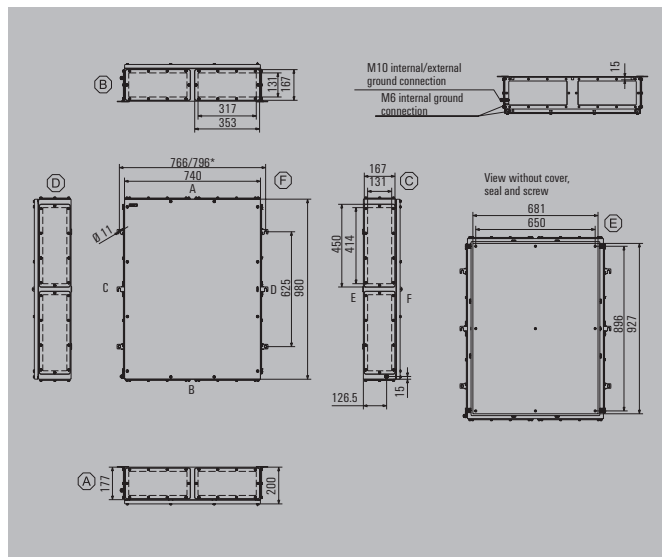
| Stainless steel 1.4404 316L, electropolished | Order No. |
|---|------------|
| 0 gland plates | 1195600000 |
| 1 gland plate - positioned at the bottom (B) | 1195610000 |
| 2 gland plates - positioned at top and bottom (A & B)* | 1195620000 |
| 3 gland plates - positioned at bottom, left and right (B, C & D) | 1195630000 |
| 4 gland plates - positioned at top, bottom, left and right (A, B, C & D)* | 1195640000 |

Note *Minimum order quantity (5 pieces)

Accessories

| Mounting plates and fastening screws | Order No. |
|--|------------|
| Steel sheet, zinc plated | 1194050000 |
| With hole pattern, sheet steel, galvanised | 2022760000 |
| Stainless steel 1.4301 natural | 1193920000 |
| With hole pattern, natural stainless steel 1.4301 | 1257770000 |
| Fastening screws for mounting plates | 0642600000 |
| Fastening screws for terminal rails* | 1274150000 |
| Mounting rails**, TS35x7.5 | |
| Horizontally | 8000006730 |
| Vertical | 8000006719 |
| Stainless steel spacer M6 x 8, Set of 4 | |
| 10 mm length | 0935110000 |
| 15 mm length | 0935120000 |
| 20 mm length | 0935130000 |
| 30 mm length | 0935140000 |
| Gland plates - 3 mm with M6 earth studs | |
| Top and bottom sides (A & B), electropolished stainless steel 1.4404 | 2024560000 |
| Left and right sides (C & D), electropolished stainless steel 1.4404 | 2024590000 |
| Gland plates and screws - 6 mm | |
| Top and bottom sides (A & B), electropolished stainless steel 1.4404 | 1256750000 |
| Left and right sides (C & D), electropolished stainless steel 1.4404 | 1256760000 |
| Mounting screw, stainless steel 1.4404 | 1253230000 |
| Rain hoods | |
| Stainless steel 1.4301, mirror-polished | 1281580000 |
| Stainless steel 1.4404, electro-polished | 1314340000 |
| Label holder | |
| 70 x 70 angled stainless steel 1.4301 | 1279320000 |
| 130x50 stainless steel 1.4301 | 1283450000 |
| 100x25 stainless steel 1.4301 | 1257640000 |
| Document holders | |
| For DIN A6 size documents | 1252780000 |
| For DIN A5 size documents | 1252750000 |
| For DIN A4 size documents | 1252730000 |
| Set of fixings* | |
| For label holders, rain hoods and document holders (rivet) | 1252190000 |
| For plastic (Trafolyte), identification plate (screw) | 1285200000 |
| Earthing stud | |
| Stainless steel 1.4404, M10 | 1192690000 |

Note *Packing unit (PU) = 20 pcs., sufficient for 10 fixtures
**Packing unit (PU) = 20 pcs., fixing screws 1274150000 available separately



Guide value for max. number of terminals (industry)

| Assembly with terminal | vertical | horizontal |
|------------------------|----------|------------|
| 2.5 mm ² | 6x174 | 9x127 |
| 4 mm ² | 6x146 | 8x99 |
| 6 mm ² | 5x108 | 7x78 |
| 10 mm ² | 4x85 | 6x63 |
| 16 mm ² | 4x72 | 5x51 |
| 35 mm ² | 3x54 | 4x38 |

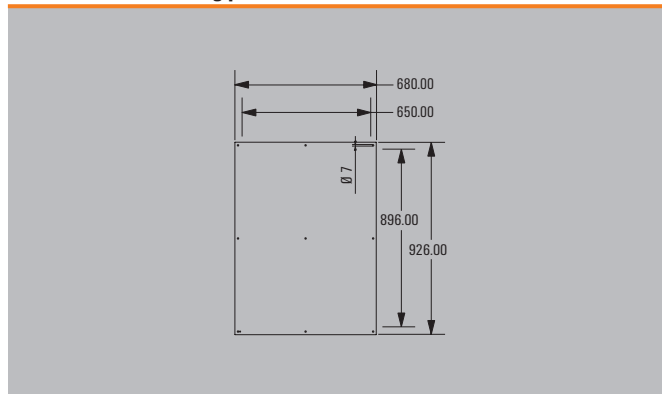
Note *For the enclosure versions with no, one or two gland plates, the horizontal distance of the mounting feet is reduced by 30 mm. When mounting modular terminals please leave a distance of 10 mm to the ends of the DIN rail. Ordering recommendations: TS 35 Mounting rail with clamping yoke technology WDU, spring-cage terminal ZDU or PUSH IN technology AZC TS 32 Mounting rail with clamping yoke technology SAK TS 15 Mounting rail with clamping yoke technology AKZ Order information for terminal blocks, please refer to online catalogue

Guide value for max. number of cable entries

| Cable entries | A / B | C / D |
|---------------|-------|-------|
| M12 | 96 | 126 |
| M16 | 64 | 84 |
| M20 | 42 | 54 |
| M25 | 36 | 48 |
| M32 | 20 | 26 |
| M40 | 16 | 22 |
| M50 | 6 | 10 |
| M63 | 6 | 8 |
| M75 | 4 | 6 |

Note Our IP 68 brass cable glands serve as a reference for these recommended values.

Dimensions of mounting plate



Klippon® TB QL – Quarter Lock

Steel enclosures

for use in industrial and in explosive hazard areas

The Klippon® TB enclosure range features excellent performance characteristics, even under the most difficult environmental conditions, and comply with the stricter requirements of explosive hazard areas found in the process or power generation industries. The Klippon® TB QL enclosure range offers further improvements to a product line that is already successfully leading the market.

Weidmüller manufactures and supplies the enclosures to match customer specifications – fully fitted with terminals, electronics and cable glands.

Features:

- Available in 12 sizes and 3 standard depths, with customer-specific sizes on request
- Equipped with up to 4 gland plates
- The gasket is protected against compression
- Quick-locking lid, comes with a slot as standard
- Improved temperature performance
- IP66 protection class
- Earth studs in enclosure cover and bottom section
- Welded mounting feet



i Use our online catalogue to find additional product details, technical information and additional services:
www.weidmueller.com/KlipponTB

Overview of enclosures

Ordering data

| Description | Height x width x depth in mm | 0 Gland Plates | 1 Gland Plate (below) | 2 Gland Plates (above + below) | 3 Gland Plates (below + sides) | 4 Gland Plates (all sides) |
|---------------------|------------------------------|----------------|-----------------------|--------------------------------|--------------------------------|----------------------------|
| KTB QL 221513 S4E_* | 229 x 152 x 133 | 1199850000 | 1199860000 | 1199870000 | 1199880000 | 1199890000 |
| KTB QL 262615 S4E_* | 260 x 260 x 150 | 1199900000 | 1199910000 | 1199920000 | 1199930000 | 1199940000 |
| KTB QL 262620 S4E_* | 260 x 260 x 200 | 1199950000 | 1199960000 | 1199970000 | 1199980000 | 1199990000 |
| KTB QL 303015 S4E_* | 306 x 306 x 150 | 1200010000 | 1200020000 | 1200030000 | 1200040000 | 1200050000 |
| KTB QL 303020 S4E_* | 306 x 306 x 200 | 1200060000 | 1200070000 | 1200080000 | 1200090000 | 1200100000 |
| KTB QL 352615 S4E_* | 350 x 260 x 150 | 1200110000 | 1200120000 | 1200130000 | 1200140000 | 1200150000 |
| KTB QL 352620 S4E_* | 350 x 260 x 200 | 1200160000 | 1200170000 | 1200180000 | 1200190000 | 1200210000 |
| KTB QL 403015 S4E_* | 400 x 300 x 150 | 1200220000 | 1200230000 | 1200240000 | 1200250000 | 1200260000 |
| KTB QL 403020 S4E_* | 400 x 300 x 200 | 1200270000 | 1200280000 | 1200290000 | 1200310000 | 1200320000 |
| KTB QL 453815 S4E_* | 458 x 382 x 150 | 1200330000 | 1200340000 | 1200350000 | 1200360000 | 1200370000 |
| KTB QL 453820 S4E_* | 458 x 382 x 200 | 1200380000 | 1200390000 | 1200410000 | 1200420000 | 1200430000 |
| KTB QL 484815 S4E_* | 480 x 480 x 150 | 1200440000 | 1200450000 | 1200460000 | 1200470000 | 1200480000 |
| KTB QL 484820 S4E_* | 480 x 480 x 200 | 1200490000 | 1200510000 | 1200520000 | 1200530000 | 1200540000 |
| KTB QL 553515 S4E_* | 550 x 350 x 150 | 1200550000 | 1200560000 | 1200570000 | 1200580000 | 1200590000 |
| KTB QL 553520 S4E_* | 550 x 350 x 200 | 1200610000 | 1200620000 | 1200630000 | 1200640000 | 1200650000 |
| KTB QL 624515 S4E_* | 620 x 450 x 150 | 1200660000 | 1200670000 | 1200680000 | 1200690000 | 1200710000 |
| KTB QL 624520 S4E_* | 620 x 450 x 200 | 1200720000 | 1200730000 | 1200740000 | 1200750000 | 1200760000 |
| KTB QL 765015 S4E_* | 762 x 508 x 150 | 1200770000 | 1200780000 | 1200790000 | 1200810000 | 1200820000 |
| KTB QL 765020 S4E_* | 762 x 508 x 200 | 1200830000 | 1200840000 | 1200850000 | 1200860000 | 1200870000 |
| KTB QL 916115 S4E_* | 914 x 610 x 150 | 1200940000 | 1200950000 | 1200910000 | 1200920000 | 1200930000 |
| KTB QL 916120 S4E_* | 914 x 610 x 200 | 1200980000 | 1200990000 | 1200960000 | 1200970000 | 1200980000 |
| KTB QL 987420 S4E_* | 980 x 740 x 200 | 1200990000 | 1201010000 | 1201020000 | 1201030000 | 1201040000 |

Note * Placeholder for the number of gland plates (0, 1, 2, 3, 4). The Klippon® TB QL enclosures are subject to a minimum order quantity.

Technical Overview

Technical data

| | |
|--------------------------------|---|
| Enclosure material* | Stainless steel 1.4404 (316L) 1.5 mm |
| Surface finish | Electropolished |
| IP protection class | IP66 to IEC EN 60079-0 |
| NEMA protection classes | 3, 4x, 12 |
| Gland plates | 1 - 4 (fixed with M6 hexagon head screws and 10 mm heads), optionally without a gland plate |
| Gland plate thickness | 3 mm (other thickness of up to 20 mm are available on request) |
| Earthing inside | Enclosure base and lid: welded M6 stainless steel earth studs |
| Earthing outside | Continuous M10 brass earth stud (optionally with stainless-steel earth stud) |
| Installation mounting | 4 or 9 mounting bolts with M6 threaded holes to attach the mounting plate or mounting rails |
| Enclosure attachment | 4 or 6 welded mounting feet with 11-mm holes (2 slotted and 2 cross-shaped openings) |
| Lid opening | Can be removed completely, lid opening angle 130 ° |
| Cover attachment | Quarter-turn lock with slotted insert (other inserts available on request) |
| Impact resistance | 7 J in accordance with IEC 60079-0, IK 09 (10J) in accordance with DIN EN 50102 |
| Gasket material | Silicone |
| Operating temperature range | -60 °C...+135 °C |
| Torque for flange plate screws | 2.5 Nm |
| Note | * Painted steel enclosures are available on request. |

Approvals for empty enclosures

| | | | |
|----------------------|--|---------------------------|------------------|
| ATEX certificate | IBExU14ATEX1028 U | EAC | RU-DE.08.B.00472 |
| ATEX marking | II 2G Ex eb IIC Gb II 2D Ex tb IIIC Db | cULus | E243298 |
| IECEX certificate | IECEX IBE 14.0004U | DNV GL | TAE000013S |
| IECEX marking | Ex eb IIC Gb Ex tb IIIC Db | Russian Maritime Register | 15.40075.250 |
| Nepsi Ex certificate | GYJ14.1308U | CCOE | In preparation |
| Nepsi Ex marking | Ex e IIC Gb, DIP A21 | INMETRO | IEx 17.0020U |
| | | AEx | E223792 |
| Note | The Klippon® TB enclosure range can be pre-fitted in our customer specific production department according to your wishes. | | |

Approvals for control and distribution box

| | | | |
|----------------------|--|---------------------|--|
| ATEX certificate | IBExU14ATEX1050 | IECEX certificate | IECEX IBE 14.0013 |
| ATEX marking | ⊕ II 2G Ex eb IIC/IIA T6/T5/T4 Gb ⊕ II 1G Ex ia IIC/IIA T6/T5/T4 Ga ⊕ II 2G Ex eb ia IIC/IIA T6/T5/T4 Gb ⊕ II 2D Ex tb IIIC T80°C/T95°C/T135°C Db ⊕ II 1D Ex ia IIC T80°C/T95°C/T135°C Da -60 °C ≤ Ta ≤ +40/+55/+90 °C | IECEX marking | Ex eb IIC/IIA T6/T5/T4 Gb Ex ia IIC/IIA T6/T5/T4 Ga Ex eb ia IIC/IIA T6/T5/T4 Gb Ex tb IIIC T80°C/T95°C/T135°C Db Ex ia IIC T80°C/T95°C/T135°C Da -60 °C...+40/+55/+90 °C |
| Nepsi Ex certificate | GYJ14.1309 | INMETRO certificate | IEx 17.0021 |
| Nepsi marking | Ex e IIC T4...T6 Gb Ex ia IIC T4...T6 Ga Ex e ia IIC T4...T6 Gb DIP A21 Ta 85°C...Ta 135°C Ex ia D20 T85 °C... T135 °C | INMETRO marking | Ex eb IIC T6/T5/T4 Gb Ex ia IIC T6/T5/T4 Ga Ex eb ia IIC T6/T5/T4 Gb Ex tb IIIC 85°C/100°C/135°C Db IP66/IP67 Ex ia IIC 85°C/100°C/135°C Da |
| EAC certificate | RUC-DE.08.B.01328 | AEx certificate | E223792 |
| EAC marking | II 2 G Ex eb IIC T6...T4 II 2 G Ex e IIC T6...T4 Gb II 1 G Ex ia IIC T6...T4 II 1 G Ex ia IIC T6...T4 Ga II 2(1) G Ex eb ia IIC T6...T4 II 2(1) G Ex e ia IIC T6...T4 Gb II 2 D Ex tb IIIC T85°C...T135°C II 2 D Ex tb IIIC T85°C...T135°C Db | AEx marking | Class I, Zone 1, AEx e IIC Gb T6...T4 Class I, Zone 2, AEx e IIC Gc T6...T4 Class I Div.2 Group A,B,C,D T6...T4 Class II Div.2 Group F,G Zone 21, AEx tb IIIC Db |
| KOSHA certificate | 16-AV4B0-0245X | | |
| KOSHA marking | Ex eb IIC/IIA T6/T5/T4 Gb Ex ia IIC/IIA T6/T5/T4 Ga Ex eb ia IIC/IIA T6/T5/T4 Gb Ex tb IIIC T80°C/T95°C/T135°C Db Ex ia IIC T80°C/T95°C/T135°C Da -60 °C...+40/+55/+90 °C | | |
| Note | Labelling depends on the application layout. For details of power dissipation, please contact your Weidmüller representative. Additional approvals available on request. | | |

Klippon® TB FS – Fixing Screw

Steel enclosures for use in industrial and in explosive hazard areas

The Klippon® TB enclosure range features superior performance characteristics, even under the most extreme environmental conditions. The Klippon® TB FS enclosure range complements our Klippon® TB MH and Klippon® TB QL standard enclosures.

Weidmüller manufactures and supplies the enclosures to match customer specifications – fully fitted with terminals, electronics and cable glands.

Features:

- Available in 12 sizes and 3 standard depths
- Equipped with up to 4 gland plates
- The gasket is protected against compression
- Cover lock outside the sealed zone
- Improved temperature performance
- IP66/IP67 protection class
- Earth studs in enclosure cover and bottom section
- Welded mounting feet



i Use our online catalogue to find additional product details, technical information and additional services:

www.weidmuller.com/KlipponTB

Overview of enclosures

Ordering data

| Description | Length x width x depth in mm | 0 Gland Plate | 1 Gland Plate (below) | 2 Gland Plates (above + below) | 3 Gland Plates (below + sides) | 4 Gland Plates (all sides) |
|---------------------|---------------------------------|---------------|--------------------------|-----------------------------------|-----------------------------------|-------------------------------|
| KTB FS 221513 S4E_* | 229 x 152 x 133 | 1195650000 | 1195660000 | 1195670000 | 1195680000 | 1195690000 |
| KTB FS 262615 S4E_* | 260 x 260 x 150 | 1195700000 | 1195710000 | 1195720000 | 1195730000 | 1195740000 |
| KTB FS 262620 S4E_* | 260 x 260 x 200 | 1195750000 | 1195760000 | 1195770000 | 1195780000 | 1195790000 |
| KTB FS 303015 S4E_* | 306 x 306 x 150 | 1195800000 | 1195810000 | 1195820000 | 1195830000 | 1195840000 |
| KTB FS 303020 S4E_* | 306 x 306 x 200 | 1195850000 | 1195860000 | 1195870000 | 1195880000 | 1195890000 |
| KTB FS 352615 S4E_* | 350 x 260 x 150 | 1195900000 | 1195910000 | 1195920000 | 1195930000 | 1195940000 |
| KTB FS 352620 S4E_* | 350 x 260 x 200 | 1195950000 | 1195960000 | 1195970000 | 1195980000 | 1195990000 |
| KTB FS 403015 S4E_* | 400 x 300 x 150 | 1196000000 | 1196010000 | 1196020000 | 1196030000 | 1196040000 |
| KTB FS 403020 S4E_* | 400 x 300 x 200 | 1196050000 | 1196060000 | 1196070000 | 1196080000 | 1196090000 |
| KTB FS 453815 S4E_* | 458 x 382 x 150 | 1196100000 | 1196110000 | 1196120000 | 1196130000 | 1196140000 |
| KTB FS 453820 S4E_* | 458 x 382 x 200 | 1196150000 | 1196160000 | 1196170000 | 1196180000 | 1196190000 |
| KTB FS 484815 S4E_* | 480 x 480 x 150 | 1196200000 | 1196210000 | 1196220000 | 1196230000 | 1196240000 |
| KTB FS 484820 S4E_* | 480 x 480 x 200 | 1196250000 | 1196260000 | 1196270000 | 1196280000 | 1196290000 |
| KTB FS 553515 S4E_* | 550 x 350 x 150 | 1196300000 | 1196310000 | 1196320000 | 1196330000 | 1196340000 |
| KTB FS 553520 S4E_* | 550 x 350 x 200 | 1196350000 | 1196360000 | 1196370000 | 1196380000 | 1196390000 |
| KTB FS 624515 S4E_* | 620 x 450 x 150 | 1196400000 | 1196410000 | 1196420000 | 1196430000 | 1196440000 |
| KTB FS 624520 S4E_* | 620 x 450 x 200 | 1196450000 | 1196460000 | 1196470000 | 1196480000 | 1196490000 |
| KTB FS 765015 S4E_* | 762 x 508 x 150 | 1196500000 | 1196510000 | 1196520000 | 1196530000 | 1196540000 |
| KTB FS 765020 S4E_* | 762 x 508 x 200 | 1196550000 | 1196560000 | 1196570000 | 1196580000 | 1196590000 |
| KTB FS 916115 S4E_* | 914 x 610 x 150 | 1196600000 | 1196610000 | 1196620000 | 1196630000 | 1196640000 |
| KTB FS 916120 S4E_* | 914 x 610 x 200 | 1196650000 | 1196660000 | 1196670000 | 1196680000 | 1196690000 |
| KTB FS 987420 S4E_* | 980 x 740 x 200 | 1196700000 | 1196710000 | 1196720000 | 1196730000 | 1196740000 |

Note * Placeholder for the number of gland plates (0, 1, 2, 3, 4). The Klippon® TB FS enclosures are subject to a minimum order quantity.

Technical Overview

Technical data

| | |
|--|---|
| Enclosure material* | Stainless steel 1.4404 (316L) 1.5 mm |
| Surface | Electroplished |
| IP protection class | IP66 / IP67 (IP66 to IEC EN 60079-0) |
| NEMA Rating | 3, 4x, 12 |
| Gland plates | 1 - 4 (fixed with M6 hexagon head screws with a slot and 10 mm heads), optionally without a gland plate |
| Gland plate thickness | 3 mm (other thickness are available on request) |
| Earthing inside | Enclosure base part and enclosure cover: welded M6 stainless steel earth studs |
| Earthing outside | Continuous M10 brass earth stud (optionally with stainless-steel earth stud) |
| Installation mounting | 4 or 9 mounting bolts with M6 threaded holes to attach the mounting plate or mounting rails |
| Enclosure attachment | 4 or 6 welded-on mounting feet with 11-mm holes (2 slotted and 2 cross-shaped openings) |
| Lid opening | Fully removable lid |
| Lid fixing | M6 hexagon head slotted screws SW10 |
| Impact resistance | 7J in accordance with IEC 60079-0, IK 09 (10J) in accordance with DIN EN 50102 |
| Gasket material | Silicone |
| Operating temperature range | -60 °C...+105 °C (IP66/IP67), -60 °C...+135 °C (IP66) |
| Torque - cover and flange plate screws | 2.5 Nm |
| Note | * Lacquered enclosures available on request. |

Approvals for empty enclosures

| | | | |
|----------------------|--|---------------------------|------------------|
| ATEX certificate | IBExU14ATEX1028 U | EAC | RU-DE.08.B.00472 |
| ATEX marking | II 2G Ex eb IIC Gb II 2D Ex tb IIIC Db | cULus | E256877 |
| IECEX certificate | IECEX IBE 14.0004U | DNV GL | TAE000013S |
| IECEX marking | Ex eb IIC Gb Ex tb IIIC Db | Russian Maritime Register | 15.40074.250 |
| Nepsi Ex certificate | GYJ14.1308U | CCOE | In preparation |
| Nepsi Ex marking | Ex e IIC Gb, DIP A21 | INMETRO | IEx 17.0020U |
| Note | The Klippon® TB enclosure range can be pre-fitted in our customer specific production department according to your wishes. | | |

Approvals for control and distribution box

| | | | |
|----------------------|--|---------------------|--|
| ATEX certificate | IBExU14ATEX1050 | IECEX certificate | IECEX IBE 14.0013 |
| ATEX marking | ⊕ II 2G Ex eb IIC/IIA T6/T5/T4 Gb ⊕ II 1G Ex ia IIC/IIA T6/T5/T4 Ga ⊕ II 2G Ex eb ia IIC/IIA T6/T5/T4 Gb ⊕ II 2D Ex tb IIIC T80°C/T95°C/T135°C Db ⊕ II 1D Ex ia IIC T80°C/T95°C/T135°C Da -60 °C ≤ Ta ≤ +40/+55/+90 °C | IECEX marking | Ex eb IIC/IIA T6/T5/T4 Gb Ex ia IIC/IIA T6/T5/T4 Ga Ex eb ia IIC/IIA T6/T5/T4 Gb Ex tb IIIC T80°C/T95°C/T135°C Db Ex ia IIC T80°C/T95°C/T135°C Da -60 °C...+40/+55/+90 °C |
| Nepsi Ex certificate | GYJ14.1309 | INMETRO certificate | IEx 17.0021 |
| Nepsi marking | Ex e IIC T4...T6 Gb Ex ia IIC T4...T6 Ga Ex e ia IIC T4...T6 Gb DIP A21 Ta 85°C...Ta 135°C Ex ia D20 T85 °C... T135 °C | INMETRO marking | Ex eb IIC T6/T5/T4 Gb Ex ia IIC T6/T5/T4 Ga Ex eb ia IIC T6/T5/T4 Gb Ex tb IIIC 85°C/100°C/135°C Db IP66/IP67 Ex ia IIC 85°C/100°C/135°C Da |
| EAC certificate | RUC-DE.08.B.01328 | AEx certificate | E223792 |
| EAC marking | II 2 G Ex eb IIC T6...T4 II 2 G Ex e IIC T6...T4 Gb II 1 G Ex ia IIC T6...T4 II 1 G Ex ia IIC T6...T4 Ga II 2(1) G Ex eb ia IIC T6...T4 II 2(1) G Ex e ia IIC T6...T4 Gb II 2 D Ex tb IIIC T85°C...T135°C II 2 D Ex tb IIIC T85°C...T135°C Db | AEx marking | Class I, Zone 1, AEx e IIC Gb T6..T4 Class I, Zone 2, AEx e IIC Gc T6..T4 Class I Div.2 Group A,B,C,D T6...T4 Class II Div.2 Group F,G Zone 21, AEx tb IIIC Db |
| KOSHA certificate | 16-AV4B0-0245X | | |
| KOSHA marking | Ex eb IIC/IIA T6/T5/T4 Gb Ex ia IIC/IIA T6/T5/T4 Ga Ex eb ia IIC/IIA T6/T5/T4 Gb Ex tb IIIC T80°C/T95°C/T135°C Db Ex ia IIC T80°C/T95°C/T135°C Da -60 °C...+40/+55/+90 °C | | |
| Note | Labelling depends on the application layout. For details of power dissipation, please contact your Weidmüller representative. Additional approvals available on request. | | |

Klippon® Protect – Terminal Boxes – Product overview Steel enclosures

Various types of terminal boxes are available for installing signal / power supplies or distributors in explosive risk zones.

The terminal boxes are explosion-protected equipment approved for use in Ex areas in zones 0, 1, 2 and 20, 21, 22.

They are certified in accordance with the latest international standards Ex e, Ex ia and Ex tb. Customer-specific configuration means these terminal boxes are the optimum solution for all applications. Use the product overview to find the right solution for you!

Combine the enclosure, with or without threaded holes, a suitable mounting rail or pre-fitted strip terminals.

We have put together a small selection for you, but we are happy to configure a bespoke solution for you.

Features:

- Available in a wide range of versions to meet customer requirements
- Additional international approvals alongside IECEx, ATEX and EAC also available
- Increased quality thanks to the use of established basic products in the Klippon® brand



Overview of enclosures

Terminal boxes based on the Klippon® TB range of enclosures

| Description | Height x width x depth in mm | Marking | Approval | Order No. |
|--------------------|------------------------------|-----------------|------------------|------------|
| KTb MH 221513 Exia | 229 x 152 x 133 | Ex ia IIC T4 Ga | IECEX, ATEX, EAC | 8000028398 |
| KTb MH 262615 Exia | 260 x 260 x 150 | Ex ia IIC T4 Ga | IECEX, ATEX, EAC | 8000028399 |
| KTb QL 303020 Exe | 306 x 306 x 200 | Ex eb IIC T6 Gb | IECEX, ATEX, EAC | 8000028400 |
| KTb QL 484820 Exe | 480 x 480 x 200 | Ex eb IIC T6 Gb | IECEX, ATEX, EAC | 8000028401 |
| Note | | | | |

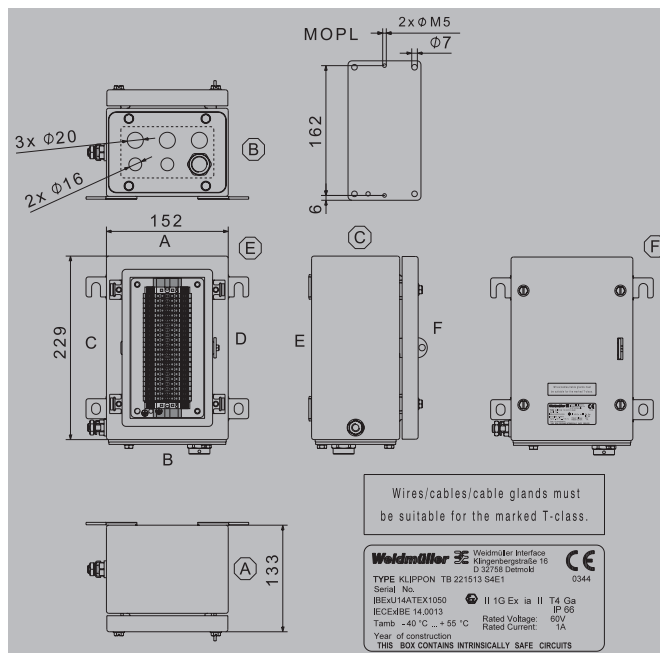
Technical Overview

Technical data

| Enclosures | |
|-----------------------------|---|
| Material | Stainless steel 1.4404 (316L) 1.5 mm |
| Surface finish | Electropolished (Klippon® TB) |
| IP protection class | IP66 / IP67 to DIN EN 60529 |
| Gasket material | Silicone |
| Terminal block | |
| Material | Wemid |
| Colour | beige, blue or green/yellow |
| Connection system | screw connection |
| Clampable wires (H05V/H07V) | solid, flexible and flexible with ferrule |
| Note | |

Approvals for Klippon® TB

| | |
|-------------------|---|
| ATEX certificate | IBExU14ATEX1050 |
| IECEx certificate | IECEx IBE 14.0013 |
| EAC certificate | RUC-DE.08.B.01328 |
| Note | Labelling depends on the application layout. For details of power dissipation, please contact your Weidmüller representative. |



| | |
|------------------------|--------------------|
| Height / Width / Depth | 229 / 152 / 133 mm |
|------------------------|--------------------|

Ordering data

| | Order No. |
|--------------------|-------------------|
| KTB MH 221513 Exia | 8000028398 |

Note

Technical data

| | |
|--|---|
| Article - short description | Klippon® Klippon TB (Terminal Box)-Enclosures, Terminal Box |
| Identification | Ex ia IIC T4 Ga |
| Certificate no. assembled enclosure (ATEX) | IBEXU14ATEX1050 |
| Certificate no. assembled enclosure (IECEX) | IECEX IBE 14.0013 |
| Standards | IEC 60079-0, IEC 60079-7, IEC 60079-11, IEC 60079-31, EN 60079-0, EN 60079-7, EN 60079-11, EN 60079-31, EN/IEC 60079-26 |
| Ambient temperature | Tamb -40°C...+55°C |
| Type label material | Polyester coated with aluminium |
| Protection class | IP66 |
| Assembly | |
| Modular terminal blocks | 1x22 |
| Rated cross-section | 4 mm² |
| Rated voltage | 60 V |
| Rated current | 1.00 A |
| Drill holes side A | none |
| Drill holes side B | 2 x M16, 3 x M20, 1 x BDX |
| Technical data, enclosure | |
| Material | Stainless steel 1.4404 (316L) |
| Surface finish | electropolished |
| Material thickness | 1.5 mm |
| Material thickness of flange | 3 mm |
| Gland plates | Bottom |
| Seal material | Silicone |
| Enclosure attachment | 4 welded-on mounting feet with 11 mm hole size |
| Mounting dimension - height / -width | 152 mm / 178 mm |
| Lid attachment | 4 hinges and M6 hex-head slotted screws SW10 |
| Access opening: height / Access opening: width | 176 mm / 93 mm |
| Earth, enclosure, external | Continuous M10 earth stud in body enclosure |
| Earth, enclosure, internal | Welded-on M6 stainless-steel earth stud in enclosure body and lid. |

Note

Accessories

| Mounting plates and fastening screws | Order No. |
|--|-------------------|
| Stainless steel 1.4301 natural | 1193810000 |
| Fastening screws for mounting plates | 0642600000 |
| Gland plate 3 mm | |
| Top and bottom sides (A & B), electropolished stainless steel 1.4404 | 1280890000 |
| Gland plates and screws - 6 mm | |
| Top and bottom sides (A & B), electropolished stainless steel 1.4404 | 1256270000 |
| Mounting screw, stainless steel 1.4404 | 1253230000 |
| Rain hoods | |
| Stainless steel 1.4301, mirror-polished | 1281360000 |
| Label holder | |
| 70 x 70 angled stainless steel 1.4301 | 1279320000 |
| Earthing stud | |
| Stainless steel 1.4404, M10 | 1192690000 |
| Pressure compensating element with drainage function | |
| M20, brass | 2519520000 |
| Cable glands | |
| Nickel-plated brass, Ex e, M16, 3-12 mm | 1460040000 |
| Nickel-plated brass, Ex e, M20, 3-12 mm | 1460050000 |
| Blanking plugs | |
| Stainless steel 1.4404 (316L), Ex e, M16 | 1477820000 |
| Stainless steel 1.4404 (316L), Ex e, M20 | 1477840000 |
| Locknuts | |
| Nickel-plated brass, M16 | 1736990000 |
| Nickel-plated brass, M20 | 1737000000 |
| Grounding strap | |
| green-yellow, 6 mm² for M6 bolt | 2475490000 |
| Note | |

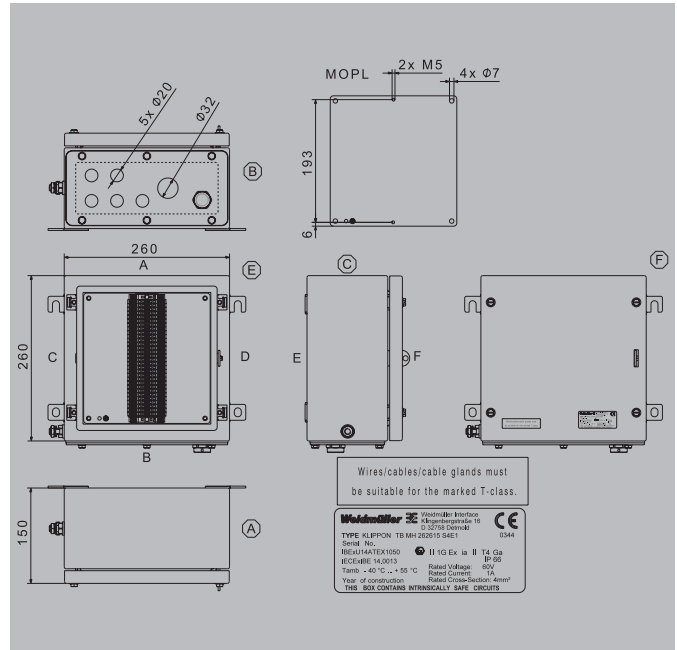
Reference products

| | Order No. |
|--------------------|-------------------|
| KTB MH 221513 S4E1 | 1194560000 |
| WDU 4 BL | 1020180000 |
| KLIPPON BDX M20 S | 2519550000 |

Note

Klippon® TB MH 262615 Ex ia terminal box

Depth 150 mm



Height / Width / Depth 260 / 260 / 150 mm

Ordering data

| | Order No. |
|--------------------|-------------------|
| KTB MH 262615 Exia | 8000028399 |

Note

Technical data

| | |
|--|---|
| Article - short description | Klippon® Klippon TB (Terminal Box)-Enclosures, Terminal Box |
| Identification | Ex ia IIC T4 Ga |
| Certificate no. assembled enclosure (ATEX) | IBEXU14ATEX1050 |
| Certificate no. assembled enclosure (IECEX) | IECEX IBE 14.0013 |
| Standards | IEC 60079-0, IEC 60079-7, IEC 60079-11, IEC 60079-31, EN 60079-0, EN 60079-7, EN 60079-11, EN 60079-31, EN/IEC 60079-26 |
| Ambient temperature | Tamb -40°C...+55°C |
| Type label material | Polyester coated with aluminium |
| Protection class | IP66 |
| Assembly | |
| Modular terminal blocks | 1x30 |
| Rated cross-section | 4 mm² |
| Rated voltage | 60 V |
| Rated current | 1.00 A |
| Drill holes side A | none |
| Drill holes side B | 5 x M20, 1 x M32, 1 x BDX |
| Technical data, enclosure | |
| Material | Stainless steel 1.4404 (316L) |
| Surface finish | electropolished |
| Material thickness | 1.5 mm |
| Material thickness of flange | 3 mm |
| Gland plates | Bottom |
| Seal material | Silicone |
| Enclosure attachment | 4 welded-on mounting feet with 11 mm hole size |
| Mounting dimension - height / -width | 170 mm / 286 mm |
| Lid attachment | 4 hinges and M6 hex-head slotted screws SW10 |
| Access opening: height / Access opening: width | 207 mm / 201 mm |
| Earth, enclosure, external | Continuous M10 earth stud in body enclosure |
| Earth, enclosure, internal | Welded-on M6 stainless-steel earth stud in enclosure body and lid. |

Note

Accessories

| Mounting plates and fastening screws | Order No. |
|--|-------------------|
| Stainless steel 1.4301 natural | 1193820000 |
| Fastening screws for mounting plates | 0642600000 |
| Gland plate 3 mm | |
| Top and bottom sides (A & B), electropolished stainless steel 1.4404 | 1280910000 |
| Gland plates and screws - 6 mm | |
| Top and bottom sides (A & B), electropolished stainless steel 1.4404 | 1256290000 |
| Mounting screw, stainless steel 1.4404 | 1253230000 |
| Rain hoods | |
| Stainless steel 1.4301, mirror-polished | 1281370000 |
| Label holder | |
| 100x25 stainless steel 1.4301 | 1257640000 |
| 130x50 stainless steel 1.4301 | 1283450000 |
| 70 x 70 angled stainless steel 1.4301 | 1279320000 |
| Earthing stud | |
| Stainless steel 1.4404, M10 | 1192690000 |
| Document holders | |
| For DIN A6 size documents | 1252780000 |
| Pressure compensating element with drainage function | |
| M20, brass | 2519520000 |
| Cable glands | |
| Nickel-plated brass, Ex e, M20, 3-12 mm | 1460050000 |
| Nickel-plated brass, Ex e, M32, 14-24 mm | 1460080000 |
| Blanking plugs | |
| Stainless steel 1.4404 (316L), Ex e, M20 | 1477840000 |
| Stainless steel 1.4404 (316L), Ex e, M32 | 1477890000 |
| Locknuts | |
| Nickel-plated brass, M20 | 1737000000 |
| Nickel-plated brass, M32 | 1737020000 |
| Grounding strap | |
| green-yellow, 6 mm² for M6 bolt | 2475490000 |
| Note | |

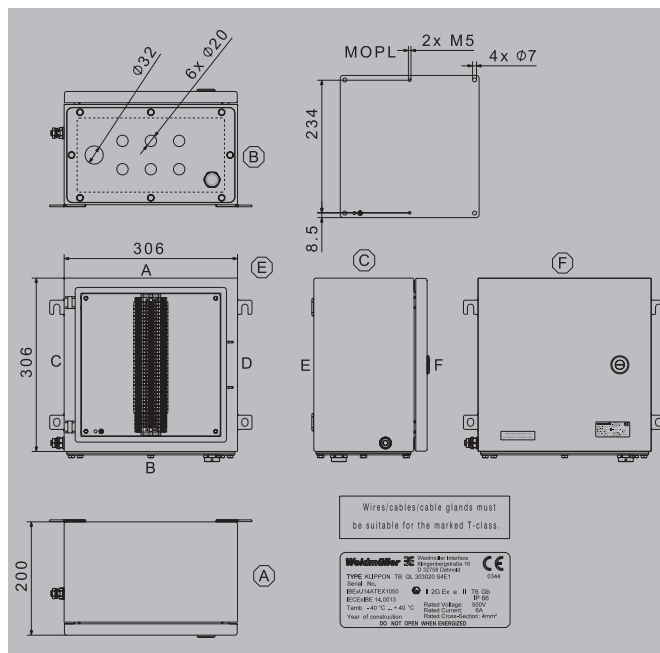
Reference products

| | Order No. |
|--------------------|-------------------|
| KTB MH 262615 S4E1 | 1194610000 |
| WDU 4 BL | 1020180000 |
| KLIPPON BDX M20 S | 2519550000 |

Note

Klippon® TB QL 303020 Ex e terminal box

Depth 200 mm



Height / Width / Depth 306 / 306 / 200 mm

Ordering data

| | Order No. |
|--------------------|------------|
| KTBL QL 303020 EXE | 8000028400 |

Note

Technical data

| | |
|--|---|
| Article - short description | Klippon® Klippon TB (Terminal Box)-Enclosures, Terminal Box |
| Identification | Ex eb IIC T6 Gb |
| Certificate no. assembled enclosure (ATEX) | IBEXU14ATEX1050 |
| Certificate no. assembled enclosure (IECEX) | IECEX IBE 14.0013 |
| Standards | IEC 60079-0, IEC 60079-7, IEC 60079-31, EN 60079-0, EN 60079-7, EN 60079-31 |
| Ambient temperature | Tamb -40°C...+40°C |
| Type label material | Polyester coated with aluminium |
| Protection class | IP66 |
| Assembly | |
| Modular terminal blocks | 1x32, 4 x PE |
| Rated cross-section | 4 mm² |
| Rated voltage | 550 V |
| Rated current | 6.00 A |
| Drill holes side A | none |
| Drill holes side B | 6 x M20, 1 x M32, 1 x BDX |
| Technical data, enclosure | |
| Material | Stainless steel 1.4404 (316L) |
| Surface finish | electropolished |
| Material thickness | 1.5 mm |
| Material thickness of flange | 3 mm |
| Gland plates | Bottom |
| Seal material | Silicone |
| Enclosure attachment | 4 welded-on mounting feet with 11 mm hole size |
| Mounting dimension - height / -width | 203 mm / 332 mm |
| Lid attachment | Quarter-turn fastener with slotted insert |
| Access opening: height / Access opening: width | 253 mm / 247 mm |
| Earth, enclosure, external | Continuous M10 earth stud in body enclosure |
| Earth, enclosure, internal | Welded-on M6 stainless-steel earth stud in enclosure body and lid. |

Note

Accessories

| Mounting plates and fastening screws | Order No. |
|--|------------|
| Stainless steel 1.4301 natural | 1193830000 |
| Fastening screws for mounting plates | 0642600000 |
| Gland plate 3 mm | |
| Top and bottom sides (A & B), electropolished stainless steel 1.4404 | 1280970000 |
| Gland plates and screws - 6 mm | |
| Top and bottom sides (A & B), electropolished stainless steel 1.4404 | 1256360000 |
| Mounting screw, stainless steel 1.4404 | 1253230000 |
| Rain hoods | |
| Stainless steel 1.4301, mirror-polished | 1281400000 |
| Label holder | |
| 100x25 stainless steel 1.4301 | 1257640000 |
| 130x50 stainless steel 1.4301 | 1283450000 |
| 70 x 70 angled stainless steel 1.4301 | 1279320000 |
| Document holders | |
| For DIN A6 size documents | 1252780000 |
| Earthing stud | |
| Stainless steel 1.4404, M10 | 1192690000 |
| Pressure compensating element with drainage function | |
| M20, brass | 2519520000 |
| Cable glands | |
| Nickel-plated brass, Ex e, M20, 3-12 mm | 1460050000 |
| Nickel-plated brass, Ex e, M32, 14-24 mm | 1460080000 |
| Blanking plugs | |
| Stainless steel 1.4404 (316L), Ex e, M20 | 1477840000 |
| Stainless steel 1.4404 (316L), Ex e, M32 | 1477890000 |
| Locknuts | |
| Nickel-plated brass, M20 | 1737000000 |
| Nickel-plated brass, M32 | 1737020000 |
| Grounding strap | |
| green-yellow, 6 mm² for M6 bolt | 2475490000 |

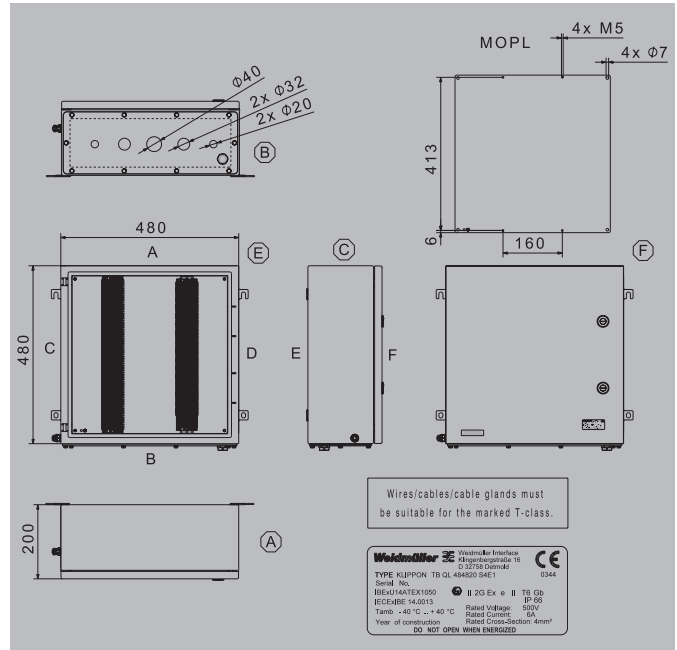
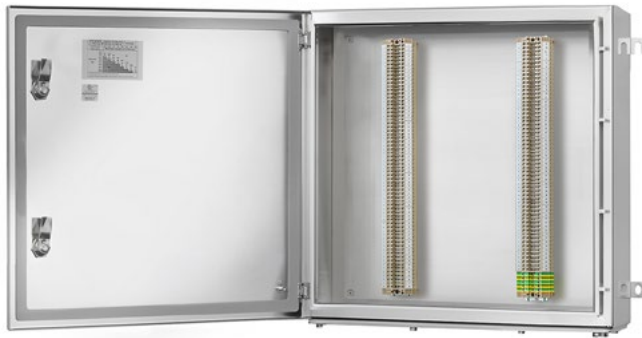
Reference products

| | Order No. |
|---------------------|------------|
| KTBL QL 303020 S4E1 | 1200070000 |
| WDU 4 | 1020100000 |
| WPE 4 | 1010100000 |
| KLIPPON BDX M20 S | 2519550000 |

Note

Klippon® TB QL 484820 Ex e terminal box

Depth 200 mm



Height / Width / Depth 480 / 480 / 200 mm

Ordering data

| | Order No. |
|-------------------|-------------------|
| KTB QL 484820 Exe | 8000028401 |

Note

Technical data

| | |
|--|---|
| Article - short description | Klippon® Klippon TB (Terminal Box)-Enclosures, Terminal Box |
| Identification | Ex eb IIC T6 Gb |
| Certificate no. assembled enclosure (ATEX) | IBExU14ATEX1050 |
| Certificate no. assembled enclosure (IECEx) | IECEX IBE 14.0013 |
| Standards | IEC 60079-0, IEC 60079-7, IEC 60079-31, EN 60079-0, EN 60079-7, EN 60079-31 |
| Ambient temperature | Tamb -40°C...+40°C |
| Type label material | Polyester coated with aluminium |
| Protection class | IP66 |
| Assembly | |
| Modular terminal blocks | 1x66, 1x59, 5 x PE |
| Rated cross-section | 4 mm² |
| Rated voltage | 550 V |
| Rated current | 6.00 A |
| Drill holes side A | none |
| Drill holes side B | 2 x M20, 2 x M25, 1 x M40 |
| Technical data, enclosure | |
| Material | Stainless steel 1.4404 (316L) |
| Surface finish | electropolished |
| Material thickness | 1.5 mm |
| Material thickness of flange | 3 mm |
| Gland plates | Bottom |
| Seal material | Silicone |
| Enclosure attachment | 4 welded-on mounting feet with 11 mm hole size |
| Mounting dimension - height / -width | 327 mm / 506 mm |
| Lid attachment | Quarter-turn fastener with slotted insert |
| Access opening: height / Access opening: width | 427 mm / 421 mm |
| Earth, enclosure, external | Continuous M10 earth stud in body enclosure |
| Earth, enclosure, internal | Welded-on M6 stainless-steel earth stud in enclosure body and lid. |
| Note | |

Accessories

| Mounting plates and fastening screws | Order No. |
|--|-------------------|
| Stainless steel 1.4301 natural | 1193870000 |
| Fastening screws for mounting plates | 0642600000 |
| Gland plate 3 mm | |
| Top and bottom sides (A & B), electropolished stainless steel 1.4404 | 1281130000 |
| Gland plates and screws - 6 mm | |
| Top and bottom sides (A & B), electropolished stainless steel 1.4404 | 1256550000 |
| Mounting screw, stainless steel 1.4404 | 1253230000 |
| Rain hoods | |
| Stainless steel 1.4301, mirror-polished | 1281480000 |
| Label holder | |
| 100x25 stainless steel 1.4301 | 1257640000 |
| 130x50 stainless steel 1.4301 | 1283450000 |
| 70 x 70 angled stainless steel 1.4301 | 1279320000 |
| Document holders | |
| For DIN A6 size documents | 1252780000 |
| For DIN A4 size documents | 1252730000 |
| Earthing stud | |
| Stainless steel 1.4404, M10 | 1192690000 |
| Pressure compensating element with drainage function | |
| M20, brass | 2519520000 |
| Cable glands | |
| Nickel-plated brass, Ex e, M20, 3-12 mm | 1460050000 |
| Nickel-plated brass, Ex e, M25, 10-18 mm | 1460070000 |
| Nickel-plated brass, Ex e, M40, 22-32 mm | 1460090000 |
| Blanking plugs | |
| Stainless steel 1.4404 (316L), Ex e, M20 | 1477840000 |
| Stainless steel 1.4404 (316L), Ex e, M25 | 1477870000 |
| Stainless steel 1.4404 (316L), Ex e, M40 | 1477910000 |
| Locknuts | |
| Nickel-plated brass, M20 | 1737000000 |
| Nickel-plated brass, M25 | 1737010000 |
| Nickel-plated brass, M40 | 1737030000 |
| Grounding strap | |
| green-yellow, 6 mm² for M6 bolt | 2475490000 |
| Note | |

Reference products

| | Order No. |
|--------------------|-------------------|
| KTB QL 484820 S4E1 | 1200510000 |
| WDU 4 | 1020100000 |
| WPE 4 | 1010100000 |
| KLIPPON BDX M20 S | 2519550000 |
| Note | |

Perfect protection for your components

Klippon® EBi stainless steel enclosures for industrial applications

C Industrial environments place high demands on the enclosures. Even moderate environmental conditions require sophisticated measures for protecting the internal components from dust and moisture to ensure trouble-free operation.

Klippon® EBi stainless steel enclosures provide perfect protection for instrumentation, distribution, and control applications. All versions are dust- and water ingress-proof to IP66 or NEMA 4X and impact-resistant to IK09. They are made of durable 1.4301 stainless steel and comply with the latest international standards. The Klippon® EBi enclosures are available with or without a bottom gland plate. Lid fixing options include either a quarter lock (QL) as standard or a fixing screw (FS) version which is available on a request basis.

Your special advantages:

- Protection class IP66 / NEMA 4X
- Impact resistance according to IK09
- International conformity according to EN 62208, DNV GL and UL
- Operating temperatures from -40 °C to +85 °C
- PUR cover gasket for protection and safety
- Flexible wall assembly thanks to rear mounting holes or mounting feet (optional)
- Individual configuration supported by the Weidmüller Configurator (WMC)



Use our online catalogue to find additional product details, technical information and additional services:

www.weidmueller.com/KlipponEBi



Quarter Lock Insert

Hinged door with a quarter lock facility ensures safe and easy accessibility. If required, hinges can be placed on either side of the enclosure to support side by side placement.



Gland plate with Torx® screws

Torx® screws (M5/T20) are used for gland plate mounting to facilitate compliance with the required torque.



Flexible mounting

A dedicated mounting profile facilitates the flexible, simple and secure installation of mounting rails or mounting plates for component installation within the enclosure.

Klippon® EBi QL – Quarter Lock

Stainless steel enclosures for use within harsh industrial environments

Even under moderate environmental conditions, there is an increasing need for complex, individual automated solutions. A harsh industrial environment places additional, heavy demands on applications and determines the design of the industrial enclosures to meet these demands. With complete protection and excellent durability, our Klippon® EBi stainless steel enclosures offer the best protection for the components inside them.

- Available in 11 sizes and 2 depths
- Impact resistance IK09 (10J) in accordance with DIN EN 50102 for industrial applications
- Dedicated internal mounting support bracket for fixing terminal rail or mounting plates with self forming screws
- Concealed hinges
- Supplied in 0 or 1 gland plate version
- Direct enclosure mounting is provided via the fixing positions placed into the rear of the enclosure
- Mounting feet in stainless steel are optionally available and can be rotated 90°
- Dust and moisture channel
- Double-bit locking system

Our assembly service can supply these enclosure preassembled with terminals, electronics and cable glands.



i Use our online catalogue to find additional product details, technical information and additional services:
www.weidmueller.com/KlipponEBi

Overview of enclosures

Ordering data

| Description | Height x width x depth in mm | 0 Gland Plate | 1 Gland Plate (below) |
|------------------------|---------------------------------|---------------|--------------------------|
| KEBi QL 302015 S2B_*** | 300 x 200 x 150 | 2470690000 | 2470800000 |
| KEBi QL 303015 S2B_*** | 300 x 300 x 150 | 2470700000 | 2470810000 |
| KEBi QL 303022 S2B_*** | 300 x 300 x 220 | 2470710000 | 2470820000 |
| KEBi QL 403015 S2B_* | 400 x 300 x 150 | 2470720000 | 2470830000 |
| KEBi QL 403022 S2B_* | 400 x 300 x 220 | 2470730000 | 2470840000 |
| KEBi QL 404022 S2B_* | 400 x 400 x 220 | 2470740000 | 2470850000 |
| KEBi QL 504022 S2B_* | 500 x 400 x 220 | 2470750000 | 2470860000 |
| KEBi QL 505022 S2B_* | 500 x 500 x 220 | 2470760000 | 2470870000 |
| KEBi QL 604022 S2B_* | 600 x 400 x 220 | 2470770000 | 2470880000 |
| KEBi QL 606022 S2B_* | 600 x 600 x 220 | 2470780000 | 2470890000 |
| KEBi QL 806022 S2B_* | 800 x 600 x 220 | 2470790000 | 2470900000 |

Note *Placeholder for the number of gland plates (0 or 1), **smaller reference size for material thickness

Technical Overview

Features

- Available in 11 sizes and 2 standard depths
- Welded mounting bracket for securing the mounting plate or mounting rail by means of self-tapping screws
- External earth - M6 earth rivet
- Concealed hinges
- M6 earthing bolt welded in the cover and base of the enclosure
- Available with 0 or 1 gland plates
- Optimised laser welding, high quality standard
- Direct mounting of the enclosure with rear mounting holes
- Mounting feet in stainless steel are optionally available, and can be rotated by 90°
- Moisture and dust channel
- Double-bit locking system
- Permanent labelling of items
- Key included for sash lock
- Packaging optimally designed for enclosure

Note

Technical data

| | |
|---|---|
| Material | Stainless steel 1.4301 (304) 1.5 mm (1.25 mm for smaller sizes**) |
| Surface | Brushed – grain size 240 |
| IP protection class | IP 66 to DIN EN 60529 |
| NEMA Rating | 3, 4x, 5 |
| Gland plates | Stainless steel 1.4301 (304) 2 mm, fitted with M5 Torx T20 screws |
| Earthing inside | Welded-on M6 stainless-steel earth stud in enclosure lid and base |
| Earthing outside | External earth position – suitable for M6 threaded screw |
| Installation mounting | Welded mounting bracket for flexible mounting of the mounting plate, rails or TAS 20 rails. They contain 4.51 mm drill holes for accommodating the mounting plate or TS/TAS by means of self-tapping screws (1274150000) |
| Enclosure attachment | Direct mounting (9 mm mounting holes on rear wall) or via mounting feet (optionally available), adjustable by 90° |
| Lid opening | 125° |
| Lid fixing | Quarter lock with double bit |
| Impact resistance | IK09 (10J) to DIN EN 50102 |
| Gasket material | Polyurethane (PUR) foam (cover), EPDM flat gasket (gland plate) |
| Operating temperature range | -40 °C ... +85 °C |
| Tightening torque of gland plates screws* | 2.5 Nm |
| Note | *SD TH20 screwdriver (9009160000) optionally available |

Approvals for empty enclosures

| | |
|--------------------------|--|
| Empty enclosure standard | DIN EN 62208 |
| DNV GL | TAE00002RN |
| cULus | E 243298 |
| Note | For details of power dissipation, please contact your Weidmüller representative. |



Height / Width / Depth 300 / 200 / 150 mm

Ordering data

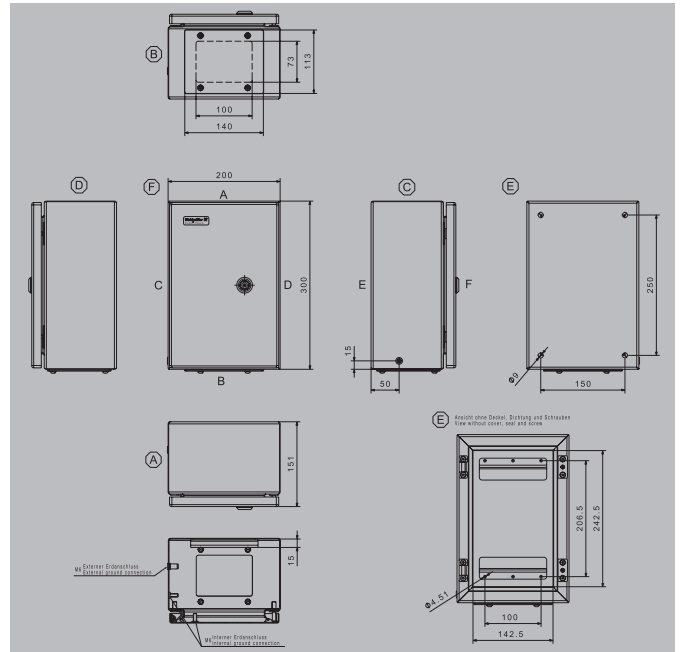
| Stainless steel 1.4301 (304), brushed | Order No. |
|--|------------|
| 0 gland plates | 2470690000 |
| 1 gland plate - positioned at the bottom (B) | 2470800000 |

Note

Accessories

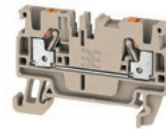
| Mounting plates and fastening screws | Order No. |
|--|------------|
| Steel sheet, zinc plated | 1309690000 |
| Stainless steel 1.4301 natural | 1309700000 |
| Fastening screws for terminal rails* | 1274150000 |
| Mounting rails**, TS35x7.5 | |
| Vertical | 8000037556 |
| Stainless steel spacer M6 x 8, Set of 4 | |
| 10 mm length | 0935110000 |
| 15 mm length | 0935120000 |
| 20 mm length | 0935130000 |
| 30 mm length | 0935140000 |
| Mild steel nickel plated Spacer M6 x 8, set of 2 | |
| 15 mm length | 3896100000 |
| 20 mm length | 3896200000 |
| 30 mm length | 3896300000 |
| Mounting feet, set containing 4 pieces each | |
| Stainless steel 1.4301 natural | 1289180000 |
| Lock inserts | |
| Slot | 1191600000 |
| Pressure compensation elements | |
| Polyamide 6, M12 | 1868570000 |
| Stainless steel 1.4305, M12 | 1868550000 |
| Double-bit key | 2473930000 |

Note *Packing unit (PU) = 20 pcs., sufficient for 10 fixtures
**Packing unit (PU) = 20 pcs., fixing screws 1274150000 available separately



Guide value for max. number of terminals (industry)

| Assembly with terminal | vertical | horizontal |
|------------------------|----------|------------|
| 2.5 mm ² | 1x36 | 3x17 |
| 4 mm ² | 1x30 | 3x14 |
| 6 mm ² | 1x23 | 3x11 |
| 10 mm ² | 1x18 | 3x9 |
| 16 mm ² | 1x15 | 3x7 |
| 35 mm ² | 1x11 | 3x5 |



Note The assembly with modular terminals gives consideration to a distance of 10 mm from the end of each mounting rail. Order recommendations:
TS 35 Mounting rail with clamping yoke technology WDU, spring-cage terminal ZDU or PUSH IN technology AZC
TS 32 Mounting rail with clamping yoke technology SAK
TS 15 Mounting rail with clamping yoke technology AKZ
Order information for terminal blocks, please refer to online catalogue

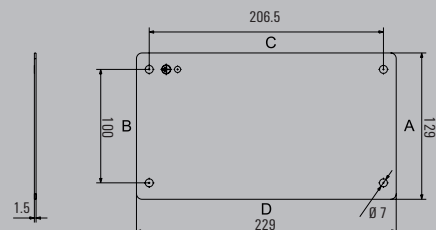
Guide value for max. number of cable entries

| Cable entries | A / B | C / D |
|---------------|-------|-------|
| M12 | 21 | 33 |
| M16 | 15 | 27 |
| M20 | 8 | 14 |
| M25 | 6 | 12 |
| M32 | 3 | 5 |
| M40 | 2 | 4 |
| M50 | 2 | 3 |
| M63 | 1 | 2 |
| M75 | | |



Note Our IP 68 brass cable glands are used as the reference for these guideline values.

Dimensions of mounting plate





Height / Width / Depth 300 / 300 / 150 mm

Ordering data

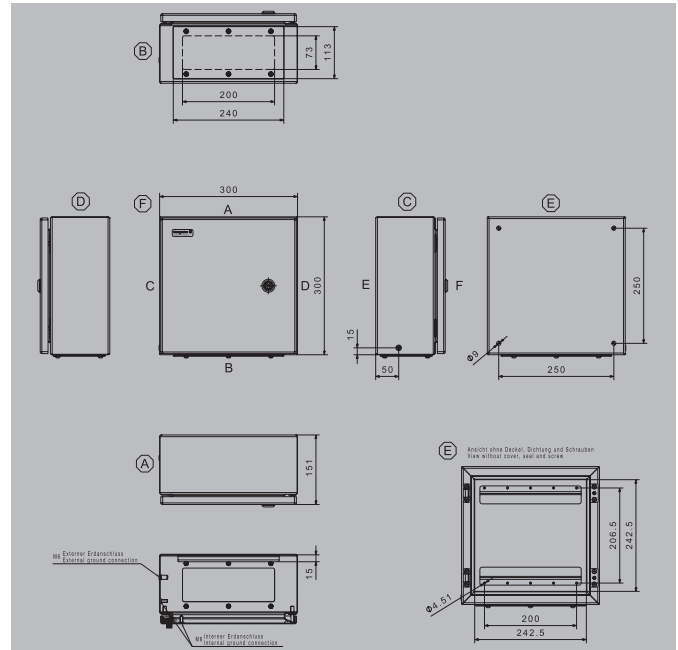
| Stainless steel 1.4301 (304), brushed | Order No. |
|--|------------|
| 0 gland plates | 2470700000 |
| 1 gland plate - positioned at the bottom (B) | 2470810000 |

Note

Accessories

| Mounting plates and fastening screws | Order No. | |
|--|--------------------------------|------------|
| Steel sheet, zinc plated | 1310410000 | |
| Stainless steel 1.4301 natural | 1310320000 | |
| Fastening screws for terminal rails* | 1274150000 | |
| Mounting rails**, TS35x7.5 | Vertical | 8000037556 |
| Stainless steel spacer M6 x 8, Set of 4 | 10 mm length | 0935110000 |
| 15 mm length | 0935120000 | |
| 20 mm length | 0935130000 | |
| 30 mm length | 0935140000 | |
| Mild steel nickel plated Spacer M6 x 8, set of 2 | 15 mm length | 3896100000 |
| 20 mm length | 3896200000 | |
| 30 mm length | 3896300000 | |
| Mounting feet, set containing 4 pieces each | Stainless steel 1.4301 natural | 1289180000 |
| Lock inserts | Slot | 1191600000 |
| Pressure compensation elements | Polyamide 6, M12 | 1868570000 |
| Stainless steel 1.4305, M12 | 1868550000 | |
| Double-bit key | | 2473930000 |

Note *Packing unit (PU) = 20 pcs., sufficient for 10 fixtures
**Packing unit (PU) = 20 pcs., fixing screws 1274150000 available separately



Guide value for max. number of terminals (industry)

| Assembly with terminal | vertical | horizontal |
|------------------------|----------|------------|
| 2.5 mm ² | 3x36 | 3x36 |
| 4 mm ² | 3x30 | 3x30 |
| 6 mm ² | 3x23 | 3x23 |
| 10 mm ² | 3x18 | 3x18 |
| 16 mm ² | 3x15 | 3x15 |
| 35 mm ² | 3x11 | 3x11 |

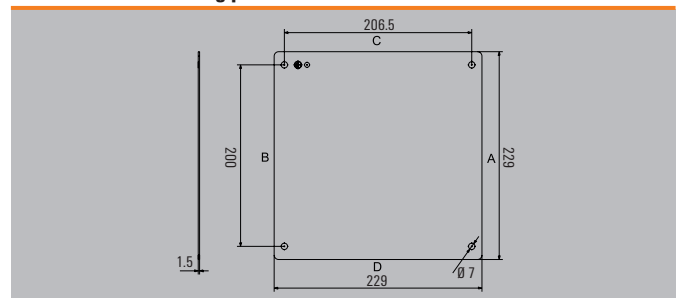
Note The assembly with modular terminals gives consideration to a distance of 10 mm from the end of each mounting rail. Order recommendations:
TS 35 Mounting rail with clamping yoke technology WDU, spring-cage terminal ZDU or PUSH IN technology AZC
TS 32 Mounting rail with clamping yoke technology SAK
TS 15 Mounting rail with clamping yoke technology AKZ
Order information for terminal blocks, please refer to online catalogue

Guide value for max. number of cable entries

| Cable entries | A / B | C / D |
|---------------|-------|-------|
| M12 | 33 | 33 |
| M16 | 27 | 27 |
| M20 | 14 | 14 |
| M25 | 12 | 12 |
| M32 | 5 | 5 |
| M40 | 4 | 4 |
| M50 | 3 | 3 |
| M63 | 2 | 2 |
| M75 | | |

Note Our IP 68 brass cable glands are used as the reference for these guideline values.

Dimensions of mounting plate





Height / Width / Depth 300 / 300 / 220 mm

Ordering data

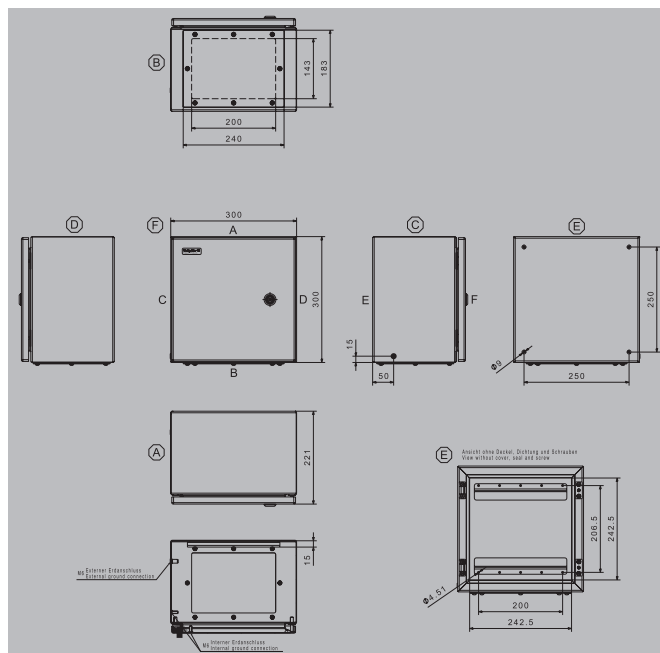
| Stainless steel 1.4301 (304), brushed | Order No. |
|--|------------|
| 0 gland plates | 2470710000 |
| 1 gland plate - positioned at the bottom (B) | 2470820000 |

Note

Accessories

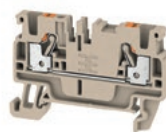
| Mounting plates and fastening screws | Order No. |
|--|------------|
| Steel sheet, zinc plated | 1310410000 |
| Stainless steel 1.4301 natural | 1310320000 |
| Fastening screws for terminal rails* | 1274150000 |
| Mounting rails**, TS35x7.5 | |
| Vertical | 8000037556 |
| Stainless steel spacer M6 x 8, Set of 4 | |
| 10 mm length | 0935110000 |
| 15 mm length | 0935120000 |
| 20 mm length | 0935130000 |
| 30 mm length | 0935140000 |
| Mild steel nickel plated Spacer M6 x 8, set of 2 | |
| 15 mm length | 3896100000 |
| 20 mm length | 3896200000 |
| 30 mm length | 3896300000 |
| Mounting feet, set containing 4 pieces each | |
| Stainless steel 1.4301 natural | 1289180000 |
| Lock inserts | |
| Slot | 1191600000 |
| Pressure compensation elements | |
| Polyamide 6, M12 | 1868570000 |
| Stainless steel 1.4305, M12 | 1868550000 |
| Double-bit key | 2473930000 |

Note *Packing unit (PU) = 20 pcs., sufficient for 10 fixtures
**Packing unit (PU) = 20 pcs., fixing screws 1274150000 available separately



Guide value for max. number of terminals (industry)

| Assembly with terminal | vertical | horizontal |
|------------------------|----------|------------|
| 2.5 mm ² | 3x36 | 3x36 |
| 4 mm ² | 3x30 | 3x30 |
| 6 mm ² | 3x23 | 3x23 |
| 10 mm ² | 3x18 | 3x18 |
| 16 mm ² | 3x15 | 3x15 |
| 35 mm ² | 3x11 | 3x11 |



Note The assembly with modular terminals gives consideration to a distance of 10 mm from the end of each mounting rail. Order recommendations:
TS 35 Mounting rail with clamping yoke technology WDU, spring-cage terminal ZDU or PUSH IN technology AZC
TS 32 Mounting rail with clamping yoke technology SAK
TS 15 Mounting rail with clamping yoke technology AKZ
Order information for terminal blocks, please refer to online catalogue

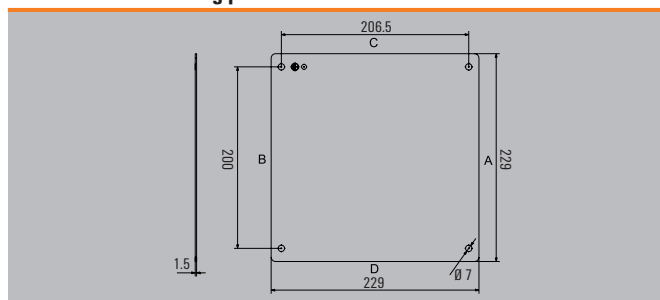
Guide value for max. number of cable entries

| Cable entries | A / B | C / D |
|---------------|-------|-------|
| M12 | 76 | 76 |
| M16 | 45 | 45 |
| M20 | 28 | 28 |
| M25 | 18 | 18 |
| M32 | 15 | 15 |
| M40 | 8 | 8 |
| M50 | 6 | 6 |
| M63 | 2 | 2 |
| M75 | 2 | 2 |



Note Our IP 68 brass cable glands are used as the reference for these guideline values.

Dimensions of mounting plate





Height / Width / Depth 400 / 300 / 150 mm

Ordering data

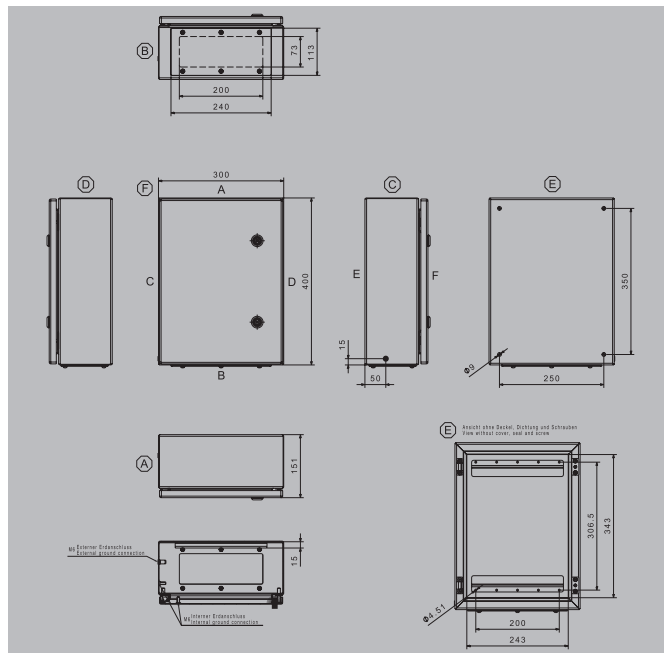
| Stainless steel 1.4301 (304), brushed | Order No. |
|--|------------|
| 0 gland plates | 2470720000 |
| 1 gland plate - positioned at the bottom (B) | 2470830000 |

Note

Accessories

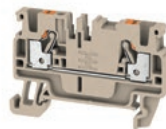
| Mounting plates and fastening screws | Order No. |
|--|------------|
| Steel sheet, zinc plated | 1310420000 |
| Stainless steel 1.4301 natural | 1310330000 |
| Fastening screws for terminal rails* | 1274150000 |
| Mounting rails**, TS35x7.5 | |
| Vertical | 8000037555 |
| Stainless steel spacer M6 x 8, Set of 4 | |
| 10 mm length | 0935110000 |
| 15 mm length | 0935120000 |
| 20 mm length | 0935130000 |
| 30 mm length | 0935140000 |
| Mild steel nickel plated Spacer M6 x 8, set of 2 | |
| 15 mm length | 3896100000 |
| 20 mm length | 3896200000 |
| 30 mm length | 3896300000 |
| Mounting feet, set containing 4 pieces each | |
| Stainless steel 1.4301 natural | 1289180000 |
| Lock inserts | |
| Slot | 1191600000 |
| Pressure compensation elements | |
| Polyamide 6, M12 | 1868570000 |
| Stainless steel 1.4305, M12 | 1868550000 |
| Double-bit key | 2473930000 |

Note *Packing unit (PU) = 20 pcs., sufficient for 10 fixtures
**Packing unit (PU) = 20 pcs., fixing screws 1274150000 available separately



Guide value for max. number of terminals (industry)

| Assembly with terminal | vertical | horizontal |
|------------------------|----------|------------|
| 2.5 mm ² | 3x56 | 4x36 |
| 4 mm ² | 3x47 | 4x30 |
| 6 mm ² | 3x35 | 4x23 |
| 10 mm ² | 3x28 | 4x18 |
| 16 mm ² | 3x23 | 4x15 |
| 35 mm ² | 3x18 | 4x11 |



Note The assembly with modular terminals gives consideration to a distance of 10 mm from the end of each mounting rail. Order recommendations: TS 35 Mounting rail with clamping yoke technology WDU, spring-cage terminal ZDU or PUSH IN technology AZC
TS 32 Mounting rail with clamping yoke technology SAJ
TS 15 Mounting rail with clamping yoke technology AKZ
Order information for terminal blocks, please refer to online catalogue

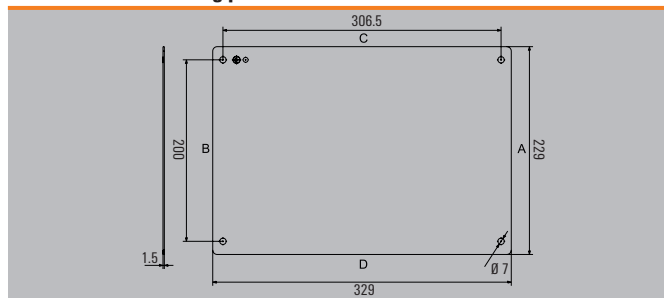
Guide value for max. number of cable entries

| Cable entries | A / B | C / D |
|---------------|-------|-------|
| M12 | 33 | 48 |
| M16 | 27 | 39 |
| M20 | 14 | 20 |
| M25 | 12 | 16 |
| M32 | 5 | 7 |
| M40 | 4 | 5 |
| M50 | 3 | 4 |
| M63 | 2 | 3 |
| M75 | | |



Note Our IP 68 brass cable glands are used as the reference for these guideline values.

Dimensions of mounting plate





Height / Width / Depth 400 / 300 / 220 mm

Ordering data

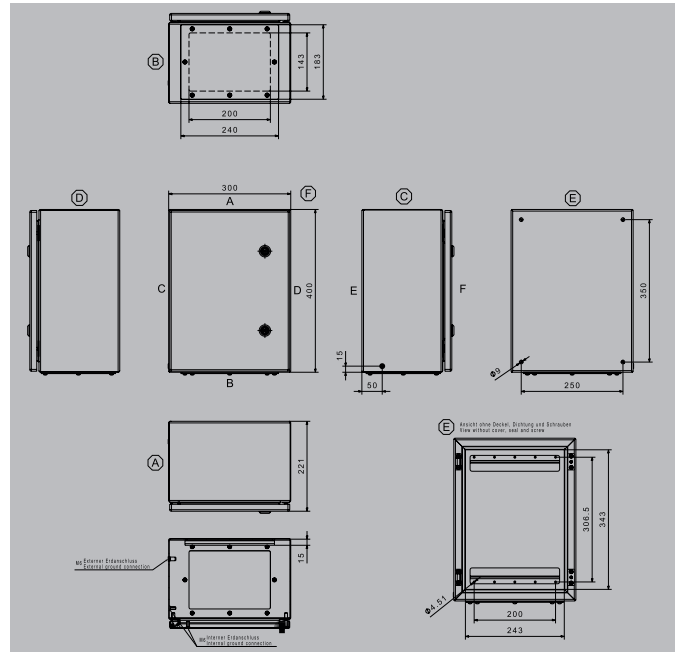
| Stainless steel 1.4301 (304), brushed | Order No. |
|--|------------|
| 0 gland plates | 2470730000 |
| 1 gland plate - positioned at the bottom (B) | 2470840000 |

Note

Accessories

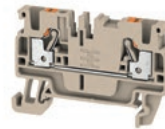
| Mounting plates and fastening screws | Order No. |
|--|------------|
| Steel sheet, zinc plated | 1310420000 |
| Stainless steel 1.4301 natural | 1310330000 |
| Fastening screws for terminal rails* | 1274150000 |
| Mounting rails**, TS35x7.5 | |
| Vertical | 8000037555 |
| Stainless steel spacer M6 x 8, Set of 4 | |
| 10 mm length | 0935110000 |
| 15 mm length | 0935120000 |
| 20 mm length | 0935130000 |
| 30 mm length | 0935140000 |
| Mild steel nickel plated Spacer M6 x 8, set of 2 | |
| 15 mm length | 3896100000 |
| 20 mm length | 3896200000 |
| 30 mm length | 3896300000 |
| Mounting feet, set containing 4 pieces each | |
| Stainless steel 1.4301 natural | 1289180000 |
| Lock inserts | |
| Slot | 1191600000 |
| Pressure compensation elements | |
| Polyamide 6, M12 | 1868570000 |
| Stainless steel 1.4305, M12 | 1868550000 |
| Double-bit key | 2473930000 |

Note *Packing unit (PU) = 20 pcs., sufficient for 10 fixtures
**Packing unit (PU) = 20 pcs., fixing screws 1274150000 available separately



Guide value for max. number of terminals (industry)

| Assembly with terminal | vertical | horizontal |
|------------------------|----------|------------|
| 2.5 mm ² | 3x56 | 4x36 |
| 4 mm ² | 3x47 | 4x30 |
| 6 mm ² | 3x35 | 4x23 |
| 10 mm ² | 3x28 | 4x18 |
| 16 mm ² | 3x23 | 4x15 |
| 35 mm ² | 3x18 | 4x11 |



Note The assembly with modular terminals gives consideration to a distance of 10 mm from the end of each mounting rail. Order recommendations: TS 35 Mounting rail with clamping yoke technology WDU, spring-cage terminal ZDU or PUSH IN technology AZC
TS 32 Mounting rail with clamping yoke technology SAK
TS 15 Mounting rail with clamping yoke technology AKZ
Order information for terminal blocks, please refer to online catalogue

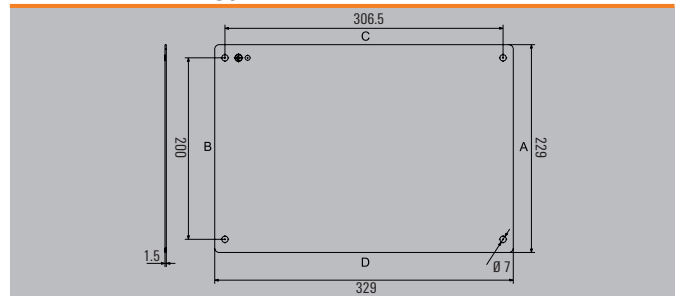
Guide value for max. number of cable entries

| Cable entries | A / B | C / D |
|---------------|-------|-------|
| M12 | 76 | 112 |
| M16 | 45 | 65 |
| M20 | 28 | 40 |
| M25 | 18 | 24 |
| M32 | 15 | 21 |
| M40 | 8 | 10 |
| M50 | 6 | 8 |
| M63 | 2 | 3 |
| M75 | 2 | 2 |



Note Our IP 68 brass cable glands are used as the reference for these guideline values.

Dimensions of mounting plate





Height / Width / Depth 400 / 400 / 220 mm

Ordering data

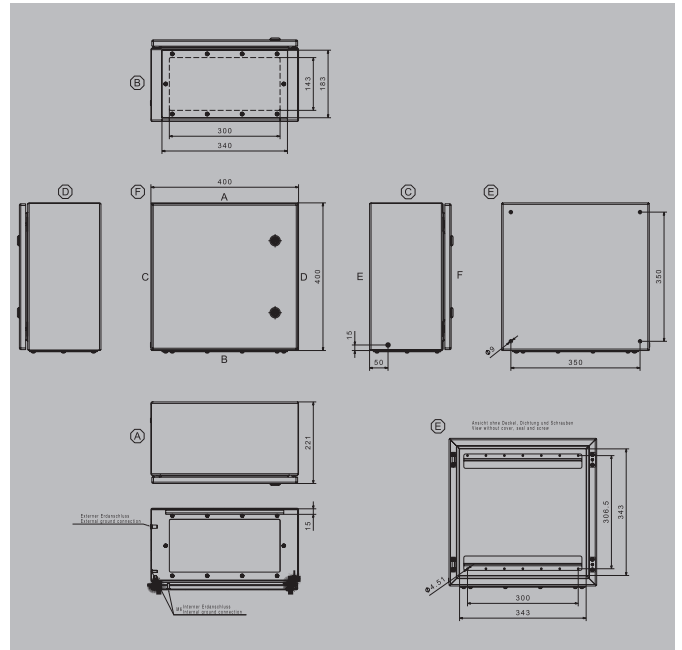
| Stainless steel 1.4301 (304), brushed | Order No. |
|--|------------|
| 0 gland plates | 2470740000 |
| 1 gland plate - positioned at the bottom (B) | 2470850000 |

Note

Accessories

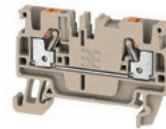
| Mounting plates and fastening screws | Order No. |
|--|------------|
| Steel sheet, zinc plated | 1310430000 |
| Stainless steel 1.4301 natural | 1310340000 |
| Fastening screws for terminal rails* | 1274150000 |
| Mounting rails**, TS35x7.5 | |
| Vertical | 8000037555 |
| Stainless steel spacer M6 x 8, Set of 4 | |
| 10 mm length | 0935110000 |
| 15 mm length | 0935120000 |
| 20 mm length | 0935130000 |
| 30 mm length | 0935140000 |
| Mild steel nickel plated Spacer M6 x 8, set of 2 | |
| 15 mm length | 3896100000 |
| 20 mm length | 3896200000 |
| 30 mm length | 3896300000 |
| Mounting feet, set containing 4 pieces each | |
| Stainless steel 1.4301 natural | 1289180000 |
| Lock inserts | |
| Slot | 1191600000 |
| Pressure compensation elements | |
| Polyamide 6, M12 | 1868570000 |
| Stainless steel 1.4305, M12 | 1868550000 |
| Double-bit key | 2473930000 |

Note *Packing unit (PU) = 20 pcs., sufficient for 10 fixtures
**Packing unit (PU) = 20 pcs., fixing screws 1274150000 available separately



Guide value for max. number of terminals (industry)

| Assembly with terminal | vertical | horizontal |
|------------------------|----------|------------|
| 2.5 mm ² | 4x56 | 4x56 |
| 4 mm ² | 4x47 | 4x47 |
| 6 mm ² | 4x35 | 4x35 |
| 10 mm ² | 4x28 | 4x28 |
| 16 mm ² | 4x23 | 4x23 |
| 35 mm ² | 4x18 | 4x18 |



Note The assembly with modular terminals gives consideration to a distance of 10 mm from the end of each mounting rail. Order recommendations:
TS 35 Mounting rail with clamping yoke technology WDU, spring-cage terminal ZDU or PUSH IN technology AZC
TS 32 Mounting rail with clamping yoke technology SAK
TS 15 Mounting rail with clamping yoke technology AKZ
Order information for terminal blocks, please refer to online catalogue

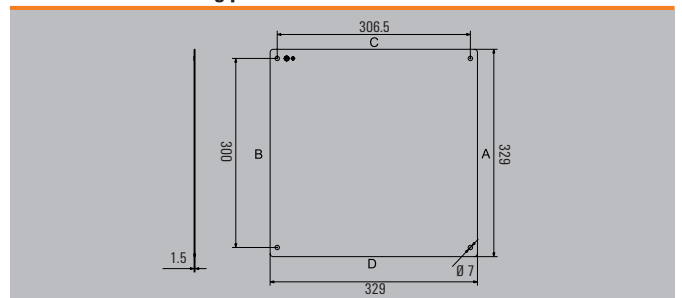
Guide value for max. number of cable entries

| Cable entries | A / B | C / D |
|---------------|-------|-------|
| M12 | 112 | 112 |
| M16 | 65 | 65 |
| M20 | 40 | 40 |
| M25 | 24 | 24 |
| M32 | 21 | 21 |
| M40 | 10 | 10 |
| M50 | 8 | 8 |
| M63 | 3 | 3 |
| M75 | 2 | 2 |



Note Our IP 68 brass cable glands are used as the reference for these guideline values.

Dimensions of mounting plate





Height / Width / Depth 500 / 400 / 220 mm

Ordering data

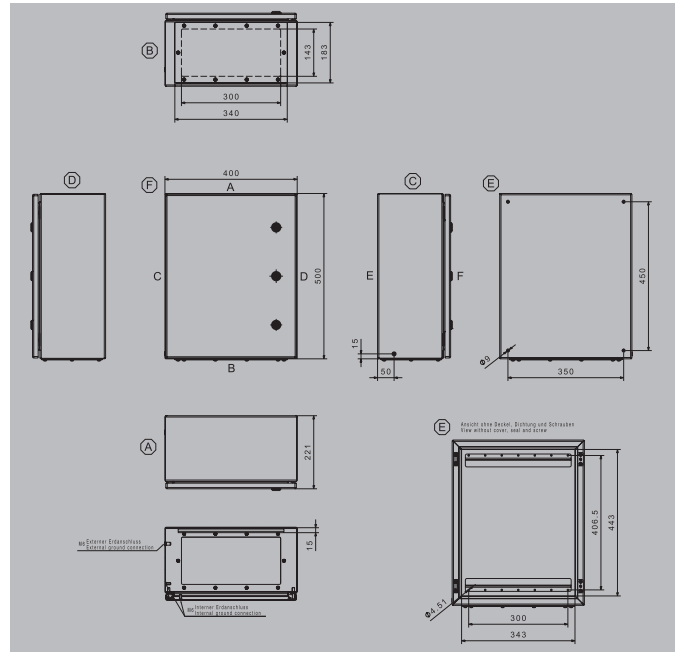
| Stainless steel 1.4301 (304), brushed | Order No. |
|--|------------|
| 0 gland plates | 2470750000 |
| 1 gland plate - positioned at the bottom (B) | 2470860000 |

Note

Accessories

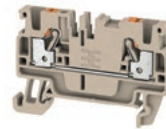
| Mounting plates and fastening screws | Order No. |
|--|------------|
| Steel sheet, zinc plated | 1310440000 |
| Stainless steel 1.4301 natural | 1310350000 |
| Fastening screws for terminal rails* | 1274150000 |
| Mounting rails**, TS35x7.5 | |
| Vertical | 8000037554 |
| Stainless steel spacer M6 x 8, Set of 4 | |
| 10 mm length | 0935110000 |
| 15 mm length | 0935120000 |
| 20 mm length | 0935130000 |
| 30 mm length | 0935140000 |
| Mild steel nickel plated Spacer M6 x 8, set of 2 | |
| 15 mm length | 3896100000 |
| 20 mm length | 3896200000 |
| 30 mm length | 3896300000 |
| Mounting feet, set containing 4 pieces each | |
| Stainless steel 1.4301 natural | 1289180000 |
| Lock inserts | |
| Slot | 1191600000 |
| Pressure compensation elements | |
| Polyamide 6, M12 | 1868570000 |
| Stainless steel 1.4305, M12 | 1868550000 |
| Double-bit key | 2473930000 |

Note *Packing unit (PU) = 20 pcs., sufficient for 10 fixtures
**Packing unit (PU) = 20 pcs., fixing screws 1274150000 available separately



Guide value for max. number of terminals (industry)

| Assembly with terminal | vertical | horizontal |
|------------------------|----------|------------|
| 2.5 mm ² | 4x75 | 6x56 |
| 4 mm ² | 4x63 | 6x47 |
| 6 mm ² | 4x47 | 6x35 |
| 10 mm ² | 4x38 | 6x28 |
| 16 mm ² | 4x32 | 6x23 |
| 35 mm ² | 4x24 | 6x18 |



Note The assembly with modular terminals gives consideration to a distance of 10 mm from the end of each mounting rail. Order recommendations:
TS 35 Mounting rail with clamping yoke technology WDU, spring-cage terminal ZDU or PUSH IN technology AZC
TS 32 Mounting rail with clamping yoke technology SAK
TS 15 Mounting rail with clamping yoke technology AKZ
Order information for terminal blocks, please refer to online catalogue

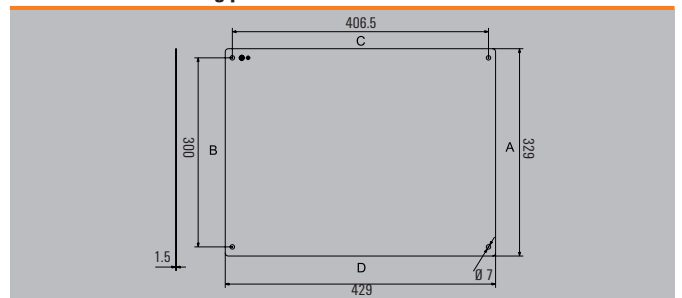
Guide value for max. number of cable entries

| Cable entries | A / B | C / D |
|---------------|-------|-------|
| M12 | 112 | 140 |
| M16 | 65 | 85 |
| M20 | 40 | 52 |
| M25 | 24 | 33 |
| M32 | 21 | 27 |
| M40 | 10 | 14 |
| M50 | 8 | 10 |
| M63 | 3 | 4 |
| M75 | 2 | 3 |



Note Our IP 68 brass cable glands are used as the reference for these guideline values.

Dimensions of mounting plate





Height / Width / Depth 500 / 500 / 220 mm

Ordering data

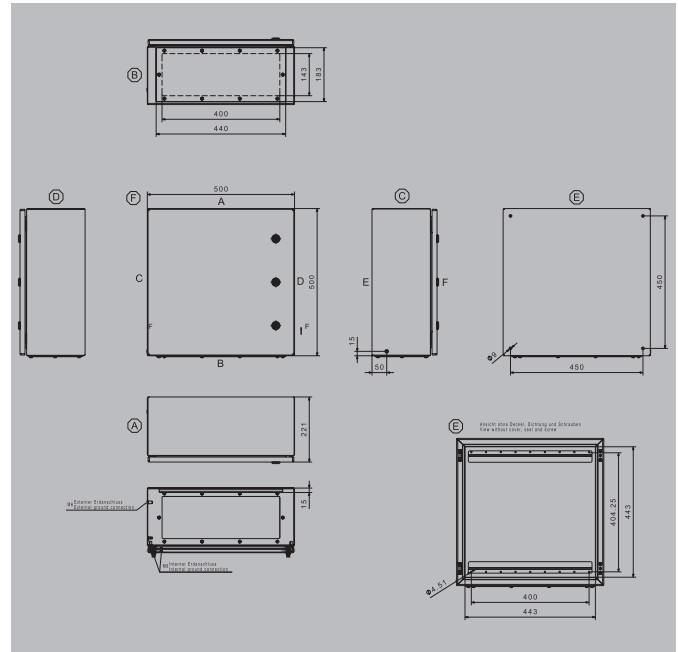
| Stainless steel 1.4301 (304), brushed | Order No. |
|--|------------|
| 0 gland plates | 2470760000 |
| 1 gland plate - positioned at the bottom (B) | 2470870000 |

Note

Accessories

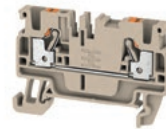
| Mounting plates and fastening screws | Order No. |
|--|------------|
| Steel sheet, zinc plated | 1310450000 |
| Stainless steel 1.4301 natural | 1310360000 |
| Fastening screws for terminal rails* | 1274150000 |
| Mounting rails**, TS35x7.5 | |
| Vertical | 8000037554 |
| Stainless steel spacer M6 x 8, Set of 4 | |
| 10 mm length | 0935110000 |
| 15 mm length | 0935120000 |
| 20 mm length | 0935130000 |
| 30 mm length | 0935140000 |
| Mild steel nickel plated Spacer M6 x 8, set of 2 | |
| 15 mm length | 3896100000 |
| 20 mm length | 3896200000 |
| 30 mm length | 3896300000 |
| Mounting feet, set containing 4 pieces each | |
| Stainless steel 1.4301 natural | 1289180000 |
| Lock inserts | |
| Slot | 1191600000 |
| Pressure compensation elements | |
| Polyamide 6, M12 | 1868570000 |
| Stainless steel 1.4305, M12 | 1868550000 |
| Double-bit key | 2473930000 |

Note *Packing unit (PU) = 20 pcs., sufficient for 10 fixtures
**Packing unit (PU) = 20 pcs., fixing screws 1274150000 available separately



Guide value for max. number of terminals (industry)

| Assembly with terminal | vertical | horizontal |
|------------------------|----------|------------|
| 2.5 mm ² | 6x75 | 6x75 |
| 4 mm ² | 6x63 | 6x63 |
| 6 mm ² | 6x47 | 6x47 |
| 10 mm ² | 6x38 | 6x38 |
| 16 mm ² | 6x32 | 6x32 |
| 35 mm ² | 6x24 | 6x24 |



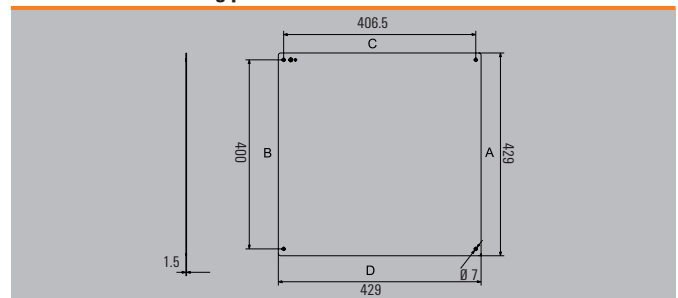
Note The assembly with modular terminals gives consideration to a distance of 10 mm from the end of each mounting rail. Order recommendations: TS 35 Mounting rail with clamping yoke technology WDU, spring-cage terminal ZDU or PUSH IN technology AZC
TS 32 Mounting rail with clamping yoke technology SAK
TS 15 Mounting rail with clamping yoke technology AKZ
Order information for terminal blocks, please refer to online catalogue

Guide value for max. number of cable entries

| Cable entries | A / B | C / D |
|---------------|-------|-------|
| M12 | 140 | 140 |
| M16 | 85 | 85 |
| M20 | 52 | 52 |
| M25 | 33 | 33 |
| M32 | 27 | 27 |
| M40 | 14 | 14 |
| M50 | 10 | 10 |
| M63 | 4 | 4 |
| M75 | 3 | 3 |

Note Our IP 68 brass cable glands are used as the reference for these guideline values.

Dimensions of mounting plate





Height / Width / Depth 600 / 400 / 220 mm

Ordering data

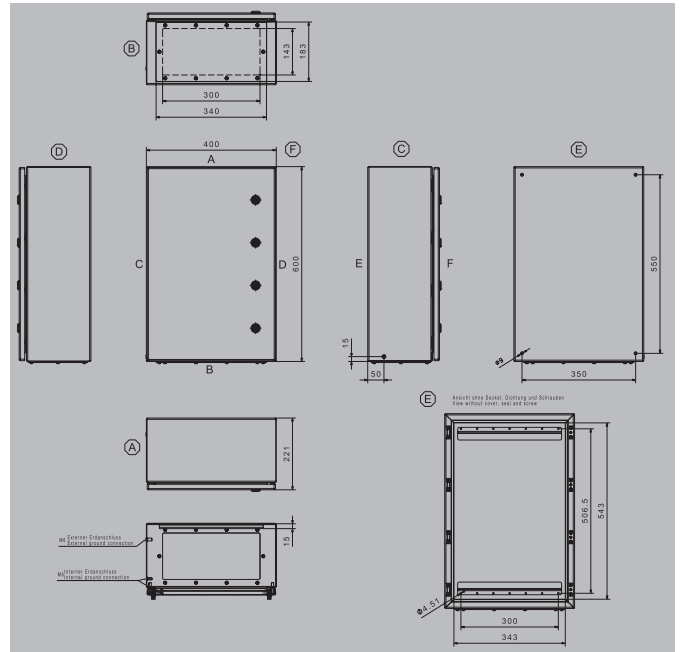
| Stainless steel 1.4301 (304), brushed | Order No. |
|--|------------|
| 0 gland plates | 2470770000 |
| 1 gland plate - positioned at the bottom (B) | 2470880000 |

Note

Accessories

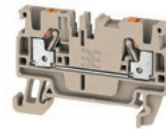
| Mounting plates and fastening screws | Order No. |
|--|------------|
| Steel sheet, zinc plated | 1310460000 |
| Stainless steel 1.4301 natural | 1310370000 |
| Fastening screws for terminal rails* | 1274150000 |
| Mounting rails**, TS35x7.5 | |
| Vertical | 8000037553 |
| Stainless steel spacer M6 x 8, Set of 4 | |
| 10 mm length | 0935110000 |
| 15 mm length | 0935120000 |
| 20 mm length | 0935130000 |
| 30 mm length | 0935140000 |
| Mild steel nickel plated Spacer M6 x 8, set of 2 | |
| 15 mm length | 3896100000 |
| 20 mm length | 3896200000 |
| 30 mm length | 3896300000 |
| Mounting feet, set containing 4 pieces each | |
| Stainless steel 1.4301 natural | 1289180000 |
| Lock inserts | |
| Slot | 1191600000 |
| Pressure compensation elements | |
| Polyamide 6, M12 | 1868570000 |
| Stainless steel 1.4305, M12 | 1868550000 |
| Double-bit key | 2473930000 |

Note *Packing unit (PU) = 20 pcs., sufficient for 10 fixtures
**Packing unit (PU) = 20 pcs., fixing screws 1274150000 available separately



Guide value for max. number of terminals (industry)

| Assembly with terminal | vertical | horizontal |
|------------------------|----------|------------|
| 2.5 mm ² | 4x94 | 8x56 |
| 4 mm ² | 4x79 | 8x47 |
| 6 mm ² | 4x60 | 8x35 |
| 10 mm ² | 4x48 | 8x28 |
| 16 mm ² | 4x40 | 8x23 |
| 35 mm ² | 4x30 | 8x18 |



Note The assembly with modular terminals gives consideration to a distance of 10 mm from the end of each mounting rail. Order recommendations:
TS 35 Mounting rail with clamping yoke technology WDU, spring-cage terminal ZDU or PUSH IN technology AZC
TS 32 Mounting rail with clamping yoke technology SAK
TS 15 Mounting rail with clamping yoke technology AKZ
Order information for terminal blocks, please refer to online catalogue

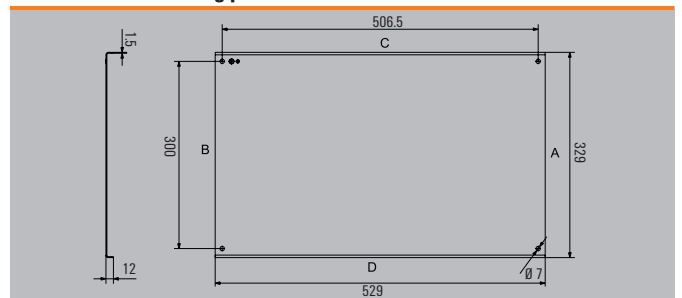
Guide value for max. number of cable entries

| Cable entries | A / B | C / D |
|---------------|-------|-------|
| M12 | 112 | 176 |
| M16 | 65 | 96 |
| M20 | 40 | 64 |
| M25 | 24 | 39 |
| M32 | 21 | 33 |
| M40 | 10 | 16 |
| M50 | 8 | 14 |
| M63 | 3 | 5 |
| M75 | 2 | 4 |



Note Our IP 68 brass cable glands are used as the reference for these guideline values.

Dimensions of mounting plate





Height / Width / Depth 600 / 600 / 220 mm

Ordering data

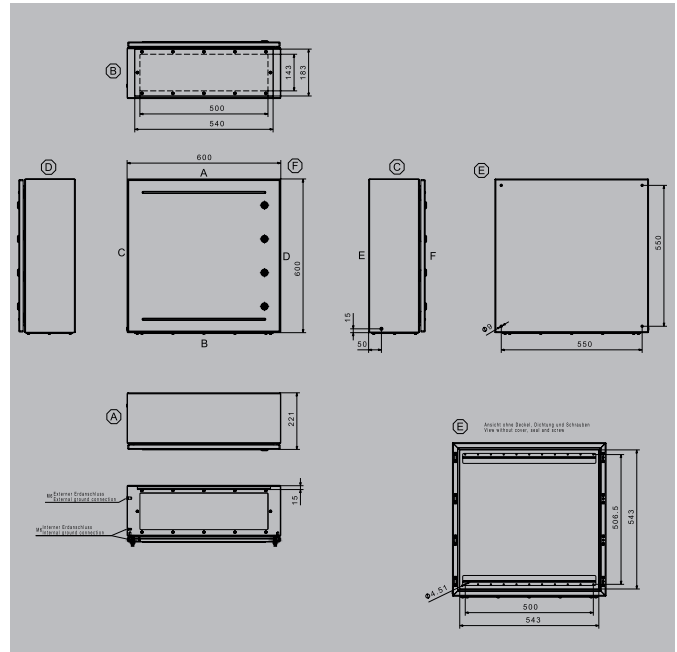
| Stainless steel 1.4301 (304), brushed | Order No. |
|--|------------|
| 0 gland plates | 2470780000 |
| 1 gland plate - positioned at the bottom (B) | 2470890000 |

Note

Accessories

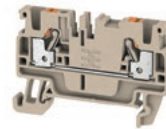
| Mounting plates and fastening screws | Order No. |
|--|------------|
| Steel sheet, zinc plated | 1310470000 |
| Stainless steel 1.4301 natural | 1310380000 |
| Fastening screws for terminal rails* | 1274150000 |
| Mounting rails**, TS35x7.5 | |
| Vertical | 8000037553 |
| Stainless steel spacer M6 x 8, Set of 4 | |
| 10 mm length | 0935110000 |
| 15 mm length | 0935120000 |
| 20 mm length | 0935130000 |
| 30 mm length | 0935140000 |
| Mild steel nickel plated Spacer M6 x 8, set of 2 | |
| 15 mm length | 3896100000 |
| 20 mm length | 3896200000 |
| 30 mm length | 3896300000 |
| Mounting feet, set containing 4 pieces each | |
| Stainless steel 1.4301 natural | 1289180000 |
| Lock inserts | |
| Slot | 1191600000 |
| Pressure compensation elements | |
| Polyamide 6, M12 | 1868570000 |
| Stainless steel 1.4305, M12 | 1868550000 |
| Double-bit key | 2473930000 |

Note *Packing unit (PU) = 20 pcs., sufficient for 10 fixtures
**Packing unit (PU) = 20 pcs., fixing screws 1274150000 available separately



Guide value for max. number of terminals (industry)

| Assembly with terminal | vertical | horizontal |
|------------------------|----------|------------|
| 2.5 mm ² | 8x94 | 8x94 |
| 4 mm ² | 8x79 | 8x79 |
| 6 mm ² | 8x60 | 8x60 |
| 10 mm ² | 8x48 | 8x48 |
| 16 mm ² | 8x40 | 8x40 |
| 35 mm ² | 8x30 | 8x30 |



Note The assembly with modular terminals gives consideration to a distance of 10 mm from the end of each mounting rail. Order recommendations:
TS 35 Mounting rail with clamping yoke technology WDU, spring-cage terminal ZDU or PUSH IN technology AZC
TS 32 Mounting rail with clamping yoke technology SAK
TS 15 Mounting rail with clamping yoke technology AKZ
Order information for terminal blocks, please refer to online catalogue

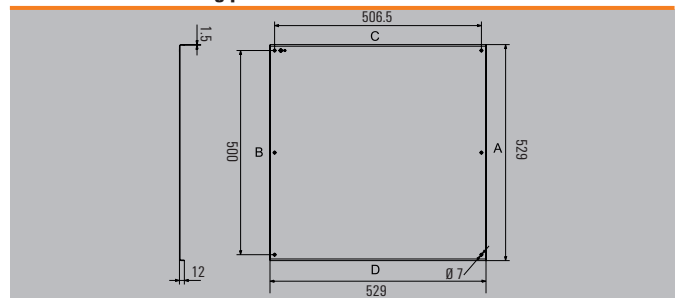
Guide value for max. number of cable entries

| Cable entries | A / B | C / D |
|---------------|-------|-------|
| M12 | 165 | 176 |
| M16 | 96 | 96 |
| M20 | 64 | 64 |
| M25 | 39 | 39 |
| M32 | 33 | 33 |
| M40 | 16 | 16 |
| M50 | 14 | 14 |
| M63 | 5 | 5 |
| M75 | 4 | 4 |



Note Our IP 68 brass cable glands are used as the reference for these guideline values.

Dimensions of mounting plate





800 / 600 / 220 mm

Ordering data

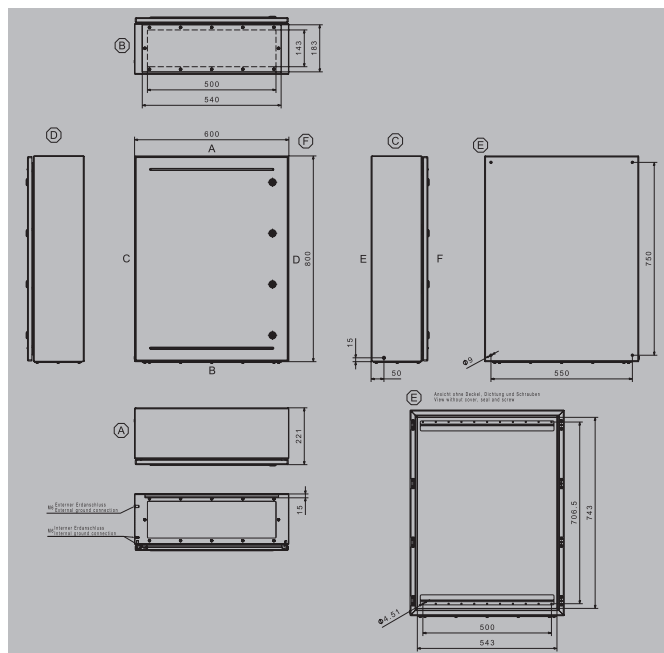
| | |
|--|------------|
| Stainless steel 1.4301 (304), brushed | Order No. |
| 0 gland plates | 2470790000 |
| 1 gland plate - positioned at the bottom (B) | 2470900000 |

Note

Accessories

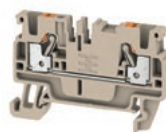
| | |
|---|--------------------------------|
| Mounting plates and fastening screws | Order No. |
| Steel sheet, zinc plated | 1310480000 |
| Stainless steel 1.4301 natural | 1310390000 |
| Fastening screws for terminal rails* | 1274150000 |
| Mounting rails**, TS35x7.5 | Vertical |
| | 8000037552 |
| Stainless steel spacer M6 x 8, Set of 4 | |
| 10 mm length | 0935110000 |
| 15 mm length | 0935120000 |
| 20 mm length | 0935130000 |
| 30 mm length | 0935140000 |
| Mild steel nickel plated Spacer M6 x 8, set of 2 | |
| 15 mm length | 3896100000 |
| 20 mm length | 3896200000 |
| 30 mm length | 3896300000 |
| Mounting feet, set containing 4 pieces each | Stainless steel 1.4301 natural |
| | 1289180000 |
| Lock inserts | Slot |
| | 1191600000 |
| Pressure compensation elements | |
| | Polyamide 6, M12 |
| | 1868570000 |
| | Stainless steel 1.4305, M12 |
| | 1868550000 |
| Double-bit key | |
| | 2473930000 |

Note *Packing unit (PU) = 20 pcs., sufficient for 10 fixtures
 **Packing unit (PU) = 20 pcs., fixing screws 1274150000 available separately



Guide value for max. number of terminals (industry)

| Assembly with terminal | vertical | horizontal |
|------------------------|----------|------------|
| 2.5 mm ² | 8x133 | 11x94 |
| 4 mm ² | 8x111 | 11x79 |
| 6 mm ² | 8x84 | 11x60 |
| 10 mm ² | 8x67 | 11x48 |
| 16 mm ² | 8x56 | 11x40 |
| 35 mm ² | 8x42 | 11x30 |



Note The assembly with modular terminals gives consideration to a distance of 10 mm from the end of each mounting rail. Order recommendations:
 TS 35 Mounting rail with clamping yoke technology WDU, spring-cage terminal ZDU or PUSH IN technology AZC
 TS 32 Mounting rail with clamping yoke technology SAK
 TS 15 Mounting rail with clamping yoke technology AKZ
 Order information for terminal blocks, please refer to online catalogue

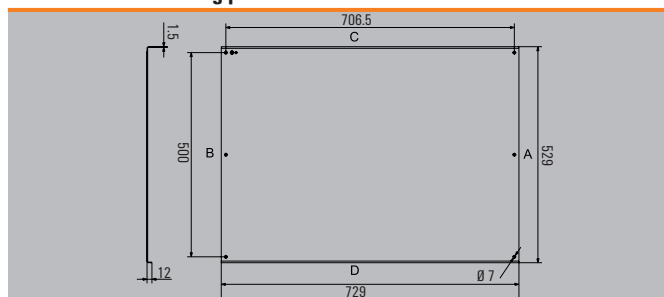
Guide value for max. number of cable entries

| Cable entries | A / B | C / D |
|---------------|-------|-------|
| M12 | 165 | 222 |
| M16 | 96 | 140 |
| M20 | 64 | 88 |
| M25 | 39 | 54 |
| M32 | 33 | 45 |
| M40 | 16 | 22 |
| M50 | 14 | 18 |
| M63 | 5 | 7 |
| M75 | 4 | 5 |



Note Our IP 68 brass cable glands are used as the reference for these guideline values.

Dimensions of mounting plate



Klippon® STB stainless and sheet steel enclosures

Protection for industrial standard applications and potentially explosive atmospheres

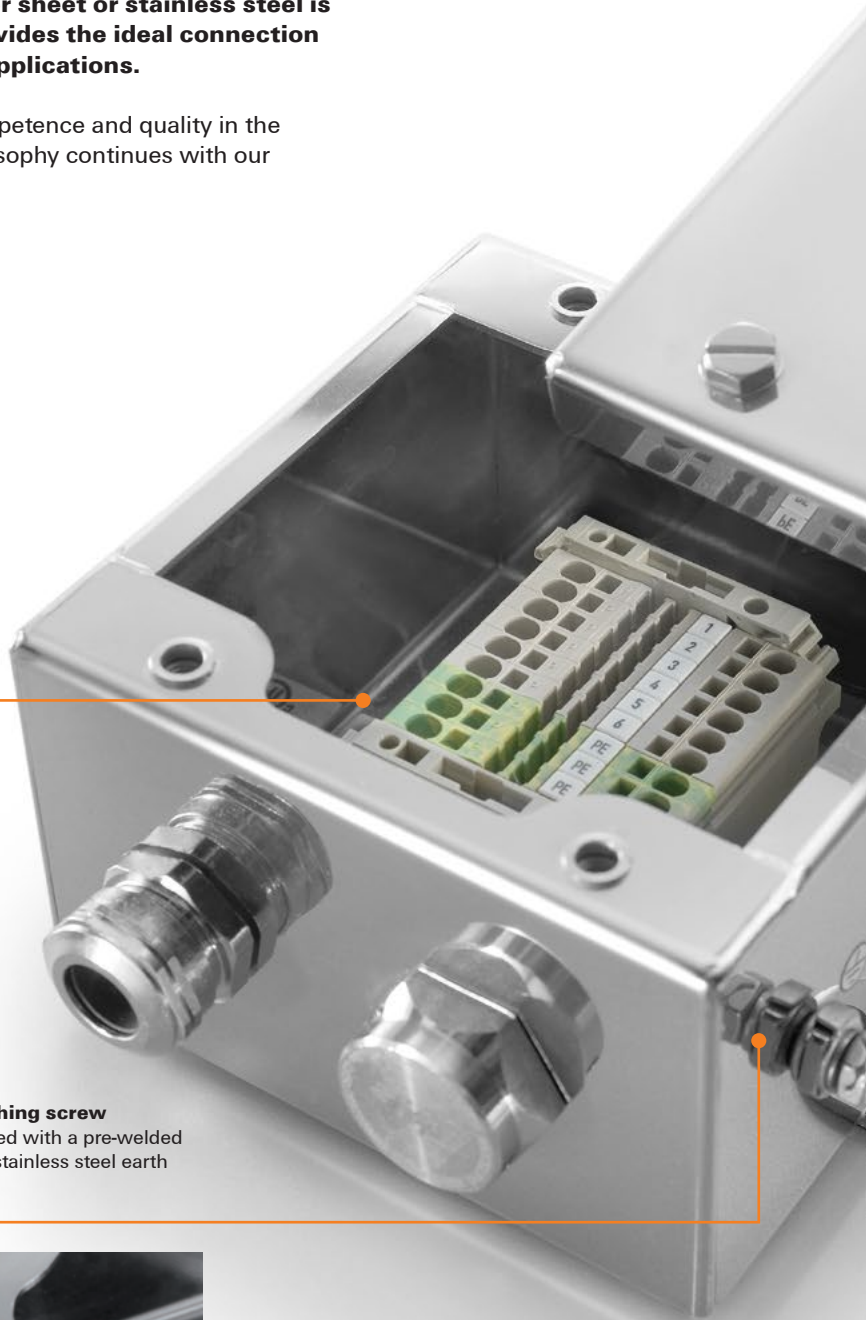
C

The Klippon® STB range manufactured from either sheet or stainless steel is the perfectly designed Small Terminal Box. It provides the ideal connection point for either industrial or harsh environment applications.

The name Klippon® has long been synonymous for competence and quality in the supply of enclosures and customer solutions. This philosophy continues with our Klippon® STB range of enclosures.

Flexible, internal mounting options

Terminal rails can be installed on the industry standard mounting rails using the provided fixing set with welded C-profile (TAS 20). A maximum possible internal working area is provided while ensuring a stable and flexible area for the rail assembly.



Internal / external earthing screw

The enclosures are supplied with a pre-welded internal and external M6 stainless steel earth stud.



Approvals

Klippon® STB enclosures have the latest international approvals.



Enhanced sealing performance

The new silicon seal has impressive thermal properties and can withstand temperatures from -60 °C to +120 °C. Compression protection ensures the complete functionality of the seal.



Mounting lugs

Mounting lugs are pre-fitted as standard. They are vibration and shock resistant and designed to be secure in operation.



Industries

Klippon® STB enclosures can be used in a variety of applications. For example, they are ideal for use in standard applications such as machine construction or transportation. They can also be used in explosive risk zones in the process and petrochemical industry.



Customised solutions

Weidmüller delivers enclosures in the Klippon® STB series connection ready. With Klippon Services, Weidmüller offers extensive consultation, engineering and installation services for modified enclosures. Depending on the customer- and industry-specific application, the enclosures can be modified and, subject to international specifications and regulations, sent worldwide together with a wide range of accessories.



Klippon® STB – Small Terminal Box

Steel enclosures

Ideally suited for the energy and process industry and transportation, the Klippon® STB range is the perfect complement to our existing Klippon® enclosure product line. Enclosures of this range comply with international standards.

Some of the many advantages of these cases are:

- Available in stainless steel or in steel sheet
- Higher temperature resistant seals than the standard
- Flexible options when mounting the internal rail
- The gasket is protected against compression; this ensures that a permanent and secure seal is maintained.
- Earth studs in the lid and in the enclosure base
- Lasered welding seams offer improved quality
- Delivered with welded mounting feet to ensure an sturdy enclosure installation

Weidmüller can manufacture and supply this enclosure to match customer specifications and fitted with all necessary terminals and cable glands.



Use our online catalogue to find additional product details, technical information and additional services:

www.weidmueller.com/KlipponSTB

Overview of enclosures

Ordering data

| Description | Height x width x depth in mm | Mirror-polish | Electropolished | Powder-coated (RAL7032) |
|------------------|------------------------------|---------------|-----------------|-------------------------|
| Klippon® STB 1 | 120 x 120 x 80 | 1002690000 | 1058810000 | 1024970000 |
| Klippon® STB 1.1 | 150 x 120 x 80 | 1002750000 | 1058820000 | 1024980000 |
| Klippon® STB 2 | 150 x 150 x 90 | 1002740000 | 1058830000 | 1024990000 |
| Klippon® STB 2.1 | 190 x 150 x 90 | 1002730000 | 1058840000 | 1025010000 |
| Klippon® STB 3 | 190 x 190 x 100 | 1002720000 | 1058850000 | 1025020000 |
| Klippon® STB 4 | 250 x 250 x 120 | 1002710000 | 1058860000 | 1025030000 |
| Klippon® STB 5 | 160 x 380 x 120 | 1002700000 | 1058880000 | 1025040000 |
| Klippon® STB 6 | 250 x 400 x 130 | 1002760000 | 1058870000 | 1025050000 |

Note

Technical Overview

Features

- Mirror-polished or electropolished stainless steel 1.4404 (316L) or powder coated steel sheet 1.0330
- Fitted with a welded, internal C-profile rail (TAS 20) and mounting feet
- Laser cut weld seams
- Approved according to the latest international standards

Note We deliver enclosures through our assembly service which are ready to be connected and suitable for every application

Technical data

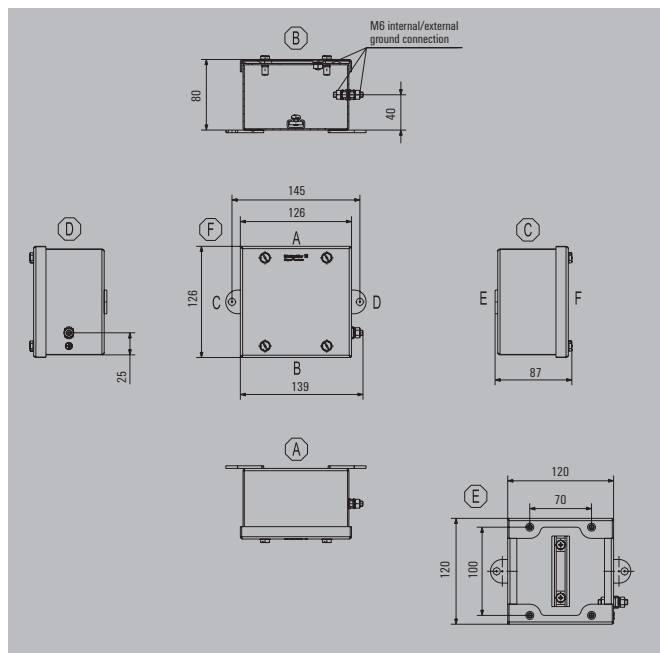
| | Stainless steel | Sheet steel |
|-----------------------|---|---|
| Enclosure material | Stainless steel 1.4404 (316L) in 1.50 mm | Steel sheet 1.0330 in 1.50 mm |
| Surface finish | Mirror-polished, electropolished | Powder-coated RAL 7032 |
| IP protection class | IP 66 | IP 66 |
| NEMA Rating | 4, 4x | |
| Earthing | Enclosure base part: internal / external M6 stainless steel Lid: M6 x 10 stainless steel | Enclosure base part: internal / external M6 stainless steel Lid: M6 x 10 stainless steel |
| Installation mounting | Welded C-profile rail | Welded C-profile rail |
| Enclosure attachment | 2 external mounting feet with 8 mm holes | 2 external mounting feet with 8 mm holes |
| Lid opening | Completely removable lid with 4 x M5 screws | Completely removable lid with 4 x M5 screws |
| Impact resistance | 7J in accordance with IEC 60079-0 | 10J industrial version in accordance with DIN EN 50102 |
| Gasket material | Silicone -60 °C...+100 °C * | Silicone -60 °C...+120 °C |
| Lid screws, torque | 2.5 Nm | 2.5 Nm |
| Note | * +120 °C only for industrial applications | |

Approvals for empty enclosures

| | Stainless steel | Sheet steel |
|---------------------------|---|--------------|
| ATEX certificate | IBExU07ATEX1147 U | |
| ATEX marking | Ⓜ II 2G Ex eb IIC Gb , Ⓜ II 1G Ex ia IIC Ga, Ⓜ II 2D Ex tb IIIC Db | |
| IECEX certificate | IECEX IBE 09.0018U | |
| IECEX marking | Ex eb IIC Gb, Ex ia IIC Ga, Ex tb IIIC Db | |
| AEx | E223792 | |
| cULus | E197061 and E256877 | |
| Lloyds Register | 08/20032 | 08/20032 |
| DNV GL | 59 358 - 08 HH | |
| Russian Maritime Register | 15.40041.250 | 15.40041.250 |
| INMETRO | IEEx 13.0002U | |
| EAC | RUC-DE.BE02.B.00173 | |
| Note | This enclosure range is component certified. If other electrical components are inserted into the case, additional certification is required. | |

Approvals for control and distribution box

| | Stainless steel | | |
|-------------------|--|---------------------|---|
| ATEX certificate | IBExU07ATEX1148 | INMETRO certificate | IEEx 13.0003 |
| ATEX marking | Ⓜ II 2G Ex eb IIC T6/T5/T4 Gb Ⓜ II 2(1)G Ex eb ia [Ga] IIC T6/T5/T4 Gb Ⓜ II 1G Ex ia IIC T6/T5/T4 Ga Ⓜ II 2D Ex tb IIIC T80°C/T95°C/T100°C Db -60°C ≤ Ta ≤ +40/+55/+60 °C | INMETRO marking | Ex eb IIC T6/T5/T4 Gb Ex e [ia Ga] IIC T6/T5/T4 Gb Ex ia IIC T6/T5/T4 Ga Ex tb IIIC T80°C/95°C/120°C Db IP66 |
| IECEX certificate | IECEX IBE 09.0019 | EAC certificate | RUC-DE.08.B.01328 |
| IECEX marking | Ex eb IIC T6/T5/T4 Gb Ex eb ia [Ga] IIC T6/T5/T4 Gb Ex ia IIC T6/T5/T4 Ga Ex tb IIIC T80°C/T95°C/T100°C Db -60°C ≤ Ta ≤ +40/+55/+60 °C | EAC marking | II 2 G Ex e IIC T6...T4 Gb, II 2(1) G Ex e [ia Ga] IIC T6...T4 Gb, II 1 G Ex ia IIC T6...T4 Ga, II 2 D Ex tb IIIC T80°C...T130°C Db |
| KOSHA certificate | 16-AV4B0-247X | AEx certificate | E223792 |
| KOSHA marking | Ex eb IIC T6/T5/T4 Gb Ex eb ia [Ga] IIC T6/T5/T4 Gb Ex ia IIC T6/T5/T4 Ga Ex tb IIIC T80°C/T95°C/T100°C Db -60°C ≤ Ta ≤ +40/+55/+60 °C | AEx marking | Class I, Zone 1, AEx e IIC Gb T6..T4 Class I, Zone 2, AEx e IIC Gc T6..T4 Class I Div.2 Group A,B,C,D T6...T4 Class II Div.2 Group F,G Zone 21, AEx tb IIC Db |
| Note | If you have specific requirements for equipment operating in explosive hazard areas, please contact us at Weidmüller to receive a full copy of the certification. For details of power dissipation, please contact your Weidmüller representative. | | |



Height / Width / Depth 120 / 120 / 80 mm

Ordering data

| Stainless steel 1.4404 (316L) | Order No. |
|---------------------------------------|------------|
| mirror-polished | 1002690000 |
| electro-polished | 1058810000 |
| Sheet steel, powder-coated (RAL 7032) | Order No. |
| powder-coated | 1024970000 |

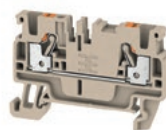
Note The colours of painted enclosures may vary under certain circumstances.

Accessories

| Mounting rails, TS35x7.5 | Order No. |
|--|------------|
| Vertical | 8683740000 |
| Sliding fixing nut with screw | Order No. |
| M5 | 0433500000 |
| Pressure compensation elements | Order No. |
| Polyamide 6, M12 | 1868570000 |
| Stainless steel 1.4305, M12 | 1868550000 |
| Pressure compensating element with drainage function | Order No. |
| M20, stainless steel 1.4404 (316L) | 2519550000 |

Guide value for max. number of terminals (industry)

| Assembly with terminal | vertical | horizontal |
|------------------------|----------|------------|
| 2.5 mm ² | 1x17 | |
| 4 mm ² | 1x14 | |
| 6 mm ² | 1x11 | |
| 10 mm ² | 1x8 | |
| 16 mm ² | 1x7 | |



Note The mounting rails are designed to be installed directly. Assembly with terminals provides for 10 mm clearance to the ends of the mounting rail. Recommended order: TS 35 Mounting rail with clamping yoke technology WDU, spring-cage terminal ZDU or PUSH IN technology AZC TS 32 Mounting rail with clamping yoke technology SAK TS 15 Mounting rail with clamping yoke technology AKZ Order information for terminal blocks, please refer to online catalogue

Guide value for max. number of cable entries

| Cable entries | A / B | C / D |
|---------------|-------|-------|
| M12 | 10 | 8 |
| M16 | 6 | 4 |
| M20 | 6 | 4 |
| M25 | 3 | 2 |
| M32 | 2 | 1 |
| M40 | 2 | 1 |
| M50 | | |
| M63 | | |

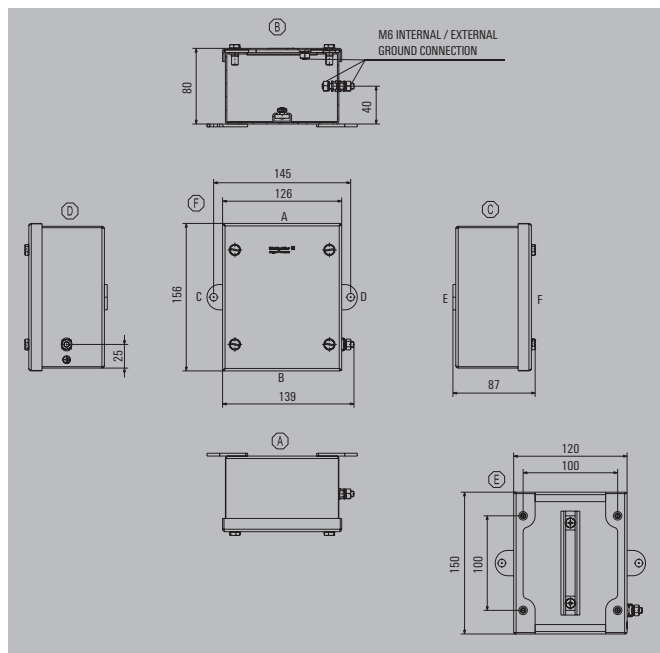


Note

Note The enclosure is supplied with a set of sliding fixing nuts, washer, screws M5, to fix the mounting rail TS 35 or TS 32 into the C-Profile.

Klippon® STB 1.1

Depth **80 mm**



Height / Width / Depth 150 / 120 / 80 mm

Ordering data

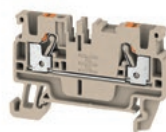
| Stainless steel 1.4404 (316L) | | Order No. |
|---------------------------------------|---|------------|
| | mirror-polished | 1002750000 |
| | electro-polished | 1058820000 |
| Sheet steel, powder-coated (RAL 7032) | | |
| | powder-coated | 1024980000 |
| Note | The colours of painted enclosures may vary under certain circumstances. | |

Accessories

| Mounting rails, TS35x7.5 | | Order No. |
|--|------------------------------------|------------|
| | Vertical | 8683740000 |
| Sliding fixing nut with screw | | |
| | M5 | 0433500000 |
| Pressure compensation elements | | |
| | Polyamide 6, M12 | 1868570000 |
| | Stainless steel 1.4305, M12 | 1868550000 |
| Pressure compensating element with drainage function | | |
| | M20, stainless steel 1.4404 (316L) | 2519550000 |

Guide value for max. number of terminals (industry)

| Assembly with terminal | vertical | horizontal |
|------------------------|---------------------|------------|
| | 2.5 mm ² | 1x23 |
| | 4 mm ² | 1x19 |
| | 6 mm ² | 1x14 |
| | 10 mm ² | 1x11 |
| | 16 mm ² | 1x9 |



Note The mounting rails are designed to be installed directly. Assembly with terminals provides for 10 mm clearance to the ends of the mounting rail. Recommended order: TS 35 Mounting rail with clamping yoke technology WDU, spring-cage terminal ZDU or PUSH IN technology AZC TS 32 Mounting rail with clamping yoke technology SAK TS 15 Mounting rail with clamping yoke technology AKZ Order information for terminal blocks, please refer to online catalogue

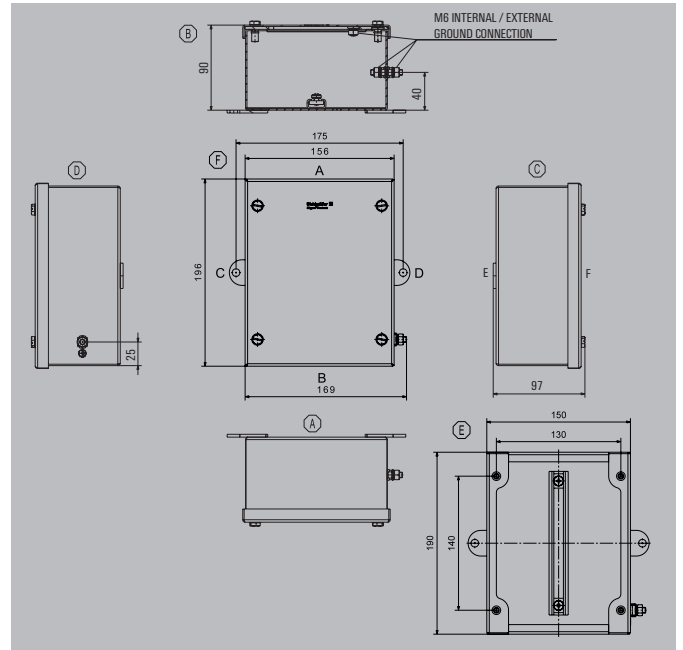
Guide value for max. number of cable entries

| Cable entries | A / B | C / D |
|---------------|-------|-------|
| | M12 | 10 |
| | M16 | 6 |
| | M20 | 6 |
| | M25 | 3 |
| | M32 | 2 |
| | M40 | 2 |
| | M50 | 1 |
| | M63 | |



Note

Note The enclosure is supplied with a set of sliding fixing nuts, washer, screws M5, to fix the mounting rail TS 35 or TS 32 into the C-Profile.



Height / Width / Depth 150 / 150 / 90 mm

Ordering data

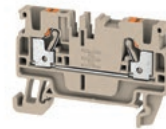
| Stainless steel 1.4404 (316L) | | Order No. |
|---|------------------|------------|
| | mirror-polished | 1002740000 |
| | electro-polished | 1058830000 |
| Sheet steel, powder-coated (RAL 7032) | | |
| | powder-coated | 1024990000 |
| Note The colours of painted enclosures may vary under certain circumstances. | | |

Accessories

| Mounting rails, TS35x7.5 | | Order No. |
|--|------------------------------------|------------|
| | Vertical | 8683740000 |
| Sliding fixing nut with screw | | |
| | M5 | 0433500000 |
| Pressure compensation elements | | |
| | Polyamide 6, M12 | 1868570000 |
| | Stainless steel 1.4305, M12 | 1868550000 |
| Pressure compensating element with drainage function | | |
| | M20, stainless steel 1.4404 (316L) | 2519550000 |

Guide value for max. number of terminals (industry)

| Assembly with terminal | vertical | horizontal |
|------------------------|---------------------|------------|
| | 2.5 mm ² | 1x23 |
| | 4 mm ² | 1x19 |
| | 6 mm ² | 1x14 |
| | 10 mm ² | 1x11 |
| | 16 mm ² | 1x9 |



Note The mounting rails are designed to be installed directly. Assembly with terminals provides for 10 mm clearance to the ends of the mounting rail. Recommended order: TS 35 Mounting rail with clamping yoke technology WDU, spring-cage terminal ZDU or PUSH IN technology AZC TS 32 Mounting rail with clamping yoke technology SAK TS 15 Mounting rail with clamping yoke technology AKZ Order information for terminal blocks, please refer to online catalogue

Guide value for max. number of cable entries

| Cable entries | A / B | C / D |
|---------------|-------|-------|
| | M12 | 15 |
| | M16 | 10 |
| | M20 | 8 |
| | M25 | 6 |
| | M32 | 3 |
| | M40 | 2 |
| | M50 | 1 |
| | M63 | 1 |



Note

Note The enclosure is supplied with a set of sliding fixing nuts, washer, screws M5, to fix the mounting rail TS 35 or TS 32 into the C-Profile.

Klippon® STB 2.1

Depth **90 mm**



Height / Width / Depth 190 / 150 / 90 mm

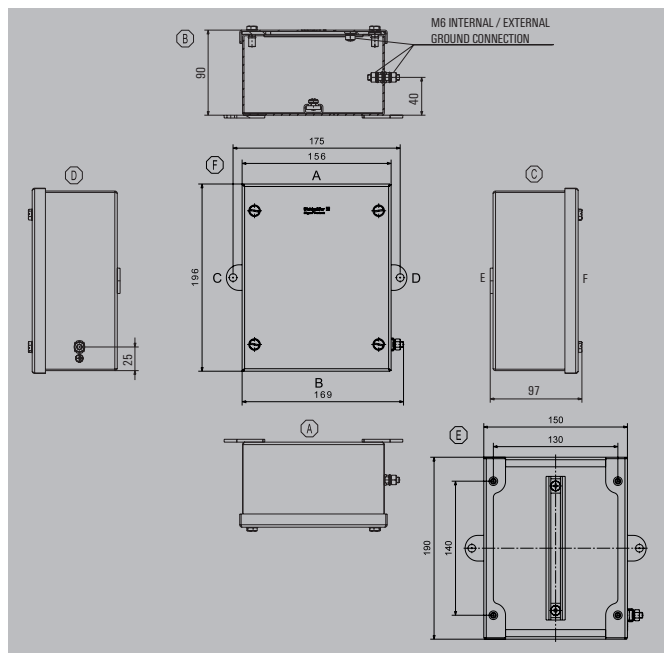
Ordering data

| Stainless steel 1.4404 (316L) | | Order No. |
|---------------------------------------|---|------------|
| | mirror-polished | 1002730000 |
| | electro-polished | 1058840000 |
| Sheet steel, powder-coated (RAL 7032) | | |
| | powder-coated | 1025010000 |
| Note | The colours of painted enclosures may vary under certain circumstances. | |

Accessories

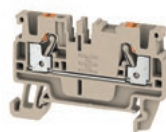
| Mounting rails, TS35x7.5 | | Order No. |
|--|------------------------------------|------------|
| | Vertical | 1567660000 |
| Sliding fixing nut with screw | | |
| | M5 | 0433500000 |
| Pressure compensation elements | | |
| | Polyamide 6, M12 | 1868570000 |
| | Stainless steel 1.4305, M12 | 1868550000 |
| Pressure compensating element with drainage function | | |
| | M20, stainless steel 1.4404 (316L) | 2519550000 |

Note The enclosure is supplied with a set of sliding fixing nuts, washer, screws M5, to fix the mounting rail TS 35 or TS 32 into the C-Profile.



Guide value for max. number of terminals (industry)

| Assembly with terminal | vertical | horizontal |
|------------------------|---------------------|------------|
| | 2.5 mm ² | 1x30 |
| | 4 mm ² | 1x25 |
| | 6 mm ² | 1x20 |
| | 10 mm ² | 1x15 |
| | 16 mm ² | 1x13 |



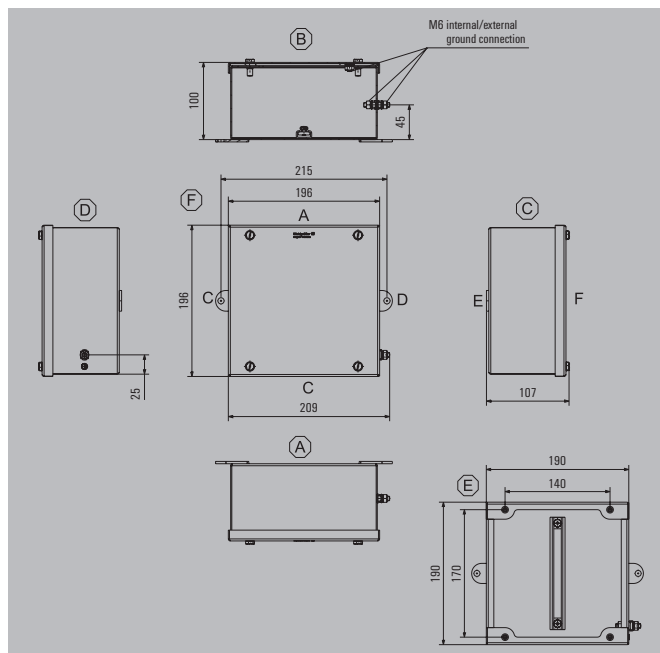
Note The mounting rails are designed to be installed directly. Assembly with terminals provides for 10 mm clearance to the ends of the mounting rail. Recommended order: TS 35 Mounting rail with clamping yoke technology WDU, spring-cage terminal ZDU or PUSH IN technology AZC TS 32 Mounting rail with clamping yoke technology SAK TS 15 Mounting rail with clamping yoke technology AKZ Order information for terminal blocks, please refer to online catalogue

Guide value for max. number of cable entries

| Cable entries | A / B | C / D |
|---------------|-------|-------|
| | M12 | 15 |
| | M16 | 10 |
| | M20 | 8 |
| | M25 | 3 |
| | M32 | 3 |
| | M40 | 2 |
| | M50 | 1 |
| | M63 | |



Note



Height / Width / Depth 190 / 190 / 100 mm

Ordering data

| Stainless steel 1.4404 (316L) | | Order No. |
|---|------------------|------------|
| | mirror-polished | 1002720000 |
| | electro-polished | 1058850000 |
| Sheet steel, powder-coated (RAL 7032) | | |
| | powder-coated | 1025020000 |
| Note The colours of painted enclosures may vary under certain circumstances. | | |

Accessories

| Mounting rails, TS35x7.5 | | Order No. |
|--|------------------------------------|------------|
| | Vertical | 1567660000 |
| Sliding fixing nut with screw | | |
| | M5 | 0433500000 |
| Pressure compensation elements | | |
| | Polyamide 6, M12 | 1868570000 |
| | Stainless steel 1.4305, M12 | 1868550000 |
| Pressure compensating element with drainage function | | |
| | M20, stainless steel 1.4404 (316L) | 2519550000 |

Guide value for max. number of terminals (industry)

| Assembly with terminal | vertical | horizontal |
|------------------------|---------------------|------------|
| | 2.5 mm ² | 1x30 |
| | 4 mm ² | 1x25 |
| | 6 mm ² | 1x20 |
| | 10 mm ² | 1x15 |
| | 16 mm ² | 1x13 |



Note The mounting rails are designed to be installed directly. Assembly with terminals provides for 10 mm clearance to the ends of the mounting rail. Recommended order: TS 35 Mounting rail with clamping yoke technology WDU, spring-cage terminal ZDU or PUSH IN technology AZC TS 32 Mounting rail with clamping yoke technology SAK TS 15 Mounting rail with clamping yoke technology AKZ Order information for terminal blocks, please refer to online catalogue

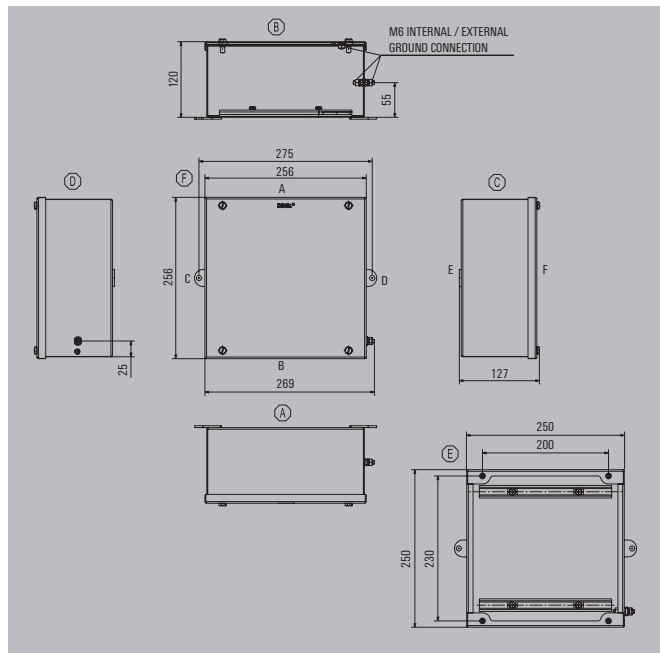
Guide value for max. number of cable entries

| Cable entries | A / B | C / D |
|---------------|-------|-------|
| | M12 | 21 |
| | M16 | 15 |
| | M20 | 10 |
| | M25 | 8 |
| | M32 | 3 |
| | M40 | 3 |
| | M50 | 2 |
| | M63 | 1 |



Note

Note The enclosure is supplied with a set of sliding fixing nuts, washer, screws M5, to fix the mounting rail TS 35 or TS 32 into the C-Profile.



Height / Width / Depth 250 / 250 / 120 mm

Ordering data

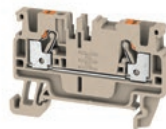
| Stainless steel 1.4404 (316L) | | Order No. |
|---|------------------|------------|
| | mirror-polished | 1002710000 |
| | electro-polished | 1058860000 |
| Sheet steel, powder-coated (RAL 7032) | | |
| | powder-coated | 1025030000 |
| Note The colours of painted enclosures may vary under certain circumstances. | | |

Accessories

| Mounting rails, TS35x7.5 | | Order No. |
|--|------------------------------------|------------|
| | Horizontally | 8563410000 |
| | Vertical | 8803610000 |
| Sliding fixing nut with screw | | |
| | M5 | 0433500000 |
| Pressure compensation elements | | |
| | Polyamide 6, M12 | 1868570000 |
| | Stainless steel 1.4305, M12 | 1868550000 |
| Pressure compensating element with drainage function | | |
| | M20, stainless steel 1.4404 (316L) | 2519550000 |

Guide value for max. number of terminals (industry)

| Assembly with terminal | vertical | horizontal |
|------------------------|----------|------------|
| 2.5 mm ² | 2x42 | 2x42 |
| 4 mm ² | 2x35 | 2x35 |
| 6 mm ² | 2x27 | 2x27 |
| 10 mm ² | 2x22 | 2x22 |
| 16 mm ² | 2x18 | 2x18 |



Note The mounting rails are designed to be installed directly. Assembly with terminals provides for 10 mm clearance to the ends of the mounting rail. Recommended order: TS 35 Mounting rail with clamping yoke technology WDU, spring-cage terminal ZDU or PUSH IN technology AZC TS 32 Mounting rail with clamping yoke technology SAK TS 15 Mounting rail with clamping yoke technology AKZ Order information for terminal blocks, please refer to online catalogue

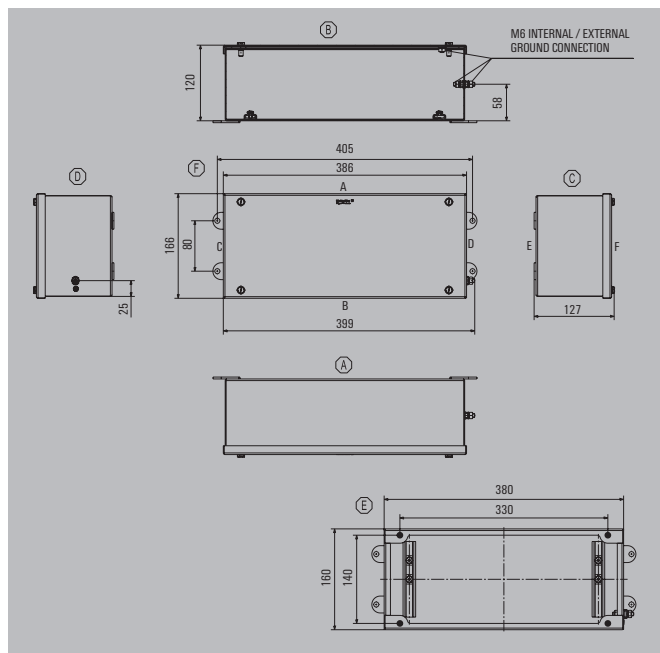
Guide value for max. number of cable entries

| Cable entries | A / B | C / D |
|---------------|-------|-------|
| M12 | 24 | 24 |
| M16 | 21 | 21 |
| M20 | 12 | 12 |
| M25 | 10 | 10 |
| M32 | 8 | 8 |
| M40 | 3 | 3 |
| M50 | 3 | 2 |
| M63 | 2 | 1 |



Note

Note The enclosure is supplied with a set of sliding fixing nuts, washer, screws M5, to fix the mounting rail TS 35 or TS 32 into the C-Profile.



Height / Width / Depth 160 / 380 / 120 mm

Ordering data

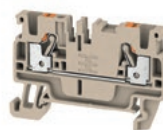
| Stainless steel 1.4404 (316L) | | Order No. |
|---------------------------------------|---|------------|
| | mirror-polished | 1002700000 |
| | electro-polished | 1058880000 |
| Sheet steel, powder-coated (RAL 7032) | | |
| | powder-coated | 1025040000 |
| Note | The colours of painted enclosures may vary under certain circumstances. | |

Accessories

| Mounting rails, TS35x7.5 | | Order No. |
|--|------------------------------------|------------|
| | Horizontally | 8563410000 |
| | Vertical | 8803610000 |
| Sliding fixing nut with screw | | |
| | M5 | 0433500000 |
| Pressure compensation elements | | |
| | Polyamide 6, M12 | 1868570000 |
| | Stainless steel 1.4305, M12 | 1868550000 |
| Pressure compensating element with drainage function | | |
| | M20, stainless steel 1.4404 (316L) | 2519550000 |

Guide value for max. number of terminals (industry)

| Assembly with terminal | vertical | horizontal |
|------------------------|----------|------------|
| 2.5 mm ² | 3x25 | 1x68 |
| 4 mm ² | 3x21 | 1x57 |
| 6 mm ² | 3x16 | 1x44 |
| 10 mm ² | 3x12 | 1x35 |
| 16 mm ² | 3x10 | 1x29 |



Note The mounting rails are designed to be installed directly. Assembly with terminals provides for 10 mm clearance to the ends of the mounting rail. Recommended order: TS 35 Mounting rail with clamping yoke technology WDU, spring-cage terminal ZDU or PUSH IN technology AZC TS 32 Mounting rail with clamping yoke technology SAK TS 15 Mounting rail with clamping yoke technology AKZ Order information for terminal blocks, please refer to online catalogue

Guide value for max. number of cable entries

| Cable entries | A / B | C / D |
|---------------|-------|-------|
| M12 | 64 | 20 |
| M16 | 33 | 12 |
| M20 | 30 | 12 |
| M25 | 16 | 6 |
| M32 | 10 | 4 |
| M40 | 6 | 2 |
| M50 | 4 | 1 |
| M63 | 2 | 1 |

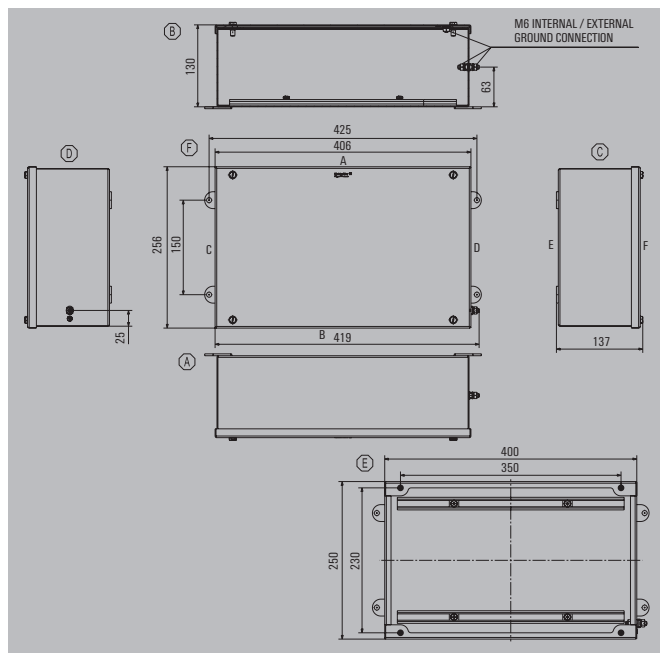


Note

Note The enclosure is supplied with a set of sliding fixing nuts, washer, screws M5, to fix the mounting rail TS 35 or TS 32 into the C-Profile.

Klippon® STB 6

Depth 130 mm



Height / Width / Depth 250 / 400 / 130 mm

Ordering data

| Stainless steel 1.4404 (316L) | Order No. |
|---------------------------------------|------------|
| mirror-polished | 1002760000 |
| electro-polished | 1058870000 |
| Sheet steel, powder-coated (RAL 7032) | Order No. |
| powder-coated | 1025050000 |

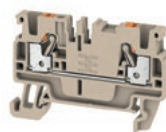
Note The colours of painted enclosures may vary under certain circumstances.

Accessories

| Mounting rails, TS35x7.5 | Order No. |
|--|------------|
| Vertical | 8803610000 |
| Horizontally | 8563410000 |
| Sliding fixing nut with screw | Order No. |
| M5 | 0433500000 |
| Pressure compensation elements | Order No. |
| Polyamide 6, M12 | 1868570000 |
| Stainless steel 1.4305, M12 | 1868550000 |
| Pressure compensating element with drainage function | Order No. |
| M20, stainless steel 1.4404 (316L) | 2519550000 |

Guide value for max. number of terminals (industry)

| Assembly with terminal | vertical | horizontal |
|------------------------|----------|------------|
| 2.5 mm ² | 3x42 | 2x72 |
| 4 mm ² | 3x35 | 2x60 |
| 6 mm ² | 3x27 | 2x46 |
| 10 mm ² | 3x22 | 2x37 |
| 16 mm ² | 3x18 | 2x30 |



Note The mounting rails are designed to be installed directly. Assembly with terminals provides for 10 mm clearance to the ends of the mounting rail. Recommended order: TS 35 Mounting rail with clamping yoke technology WDU, spring-cage terminal ZDU or PUSH IN technology AZC TS 32 Mounting rail with clamping yoke technology SAK TS 15 Mounting rail with clamping yoke technology AKZ Order information for terminal blocks, please refer to online catalogue

Guide value for max. number of cable entries

| Cable entries | A / B | C / D |
|---------------|-------|-------|
| M12 | 64 | 36 |
| M16 | 33 | 21 |
| M20 | 30 | 18 |
| M25 | 16 | 10 |
| M32 | 10 | 8 |
| M40 | 6 | 3 |
| M50 | 4 | 2 |
| M63 | 2 | 2 |



Note

Note The enclosure is supplied with a set of sliding fixing nuts, washer, screws M5, to fix the mounting rail TS 35 or TS 32 into the C-Profile.

Enclosures C

Klippon® Protect – Terminal Boxes – Product overview Steel enclosures

Various types of terminal boxes are available for installing signal / power supplies or distributors in explosive risk zones.

The terminal boxes are explosion-protected equipment approved for use in Ex areas in zones 0, 1, 2 and 20, 21, 22.

C

They are certified in accordance with the latest international standards Ex e, Ex ia and Ex tb. Customer-specific configuration means these terminal boxes are the optimum solution for all applications. Use the product overview to find the right solution for you!

Combine the enclosure, with or without threaded holes, a suitable mounting rail or pre-fitted strip terminals.

We have put together a small selection for you, but we are happy to configure a bespoke solution for you.

Features:

- Available in a wide range of versions to meet customer requirements
- Additional international approvals alongside IECEx, ATEX and EAC also available
- Increased quality thanks to the use of established basic products in the Klippon® brand



Overview of enclosures

Terminal boxes based on the Klippon® STB range of enclosures

| Description | Height x width x depth in mm | Marking | Approval | Order No. |
|-------------|------------------------------|-----------------|------------------|------------|
| STB 1 Exia | 120 x 120 x 80 | Ex ia IIC T4 Ga | IECEX, ATEX, EAC | 8000028394 |
| STB 2 Exe | 150 x 150 x 90 | Ex eb IIC T6 Gb | IECEX, ATEX, EAC | 8000028395 |
| STB 3 Exe | 190 x 190 x 100 | Ex eb IIC T6 Gb | IECEX, ATEX, EAC | 8000028396 |
| STB 4 Exe | 250 x 250 x 120 | Ex eb IIC T6 Gb | IECEX, ATEX, EAC | 8000028397 |
| Note | | | | |

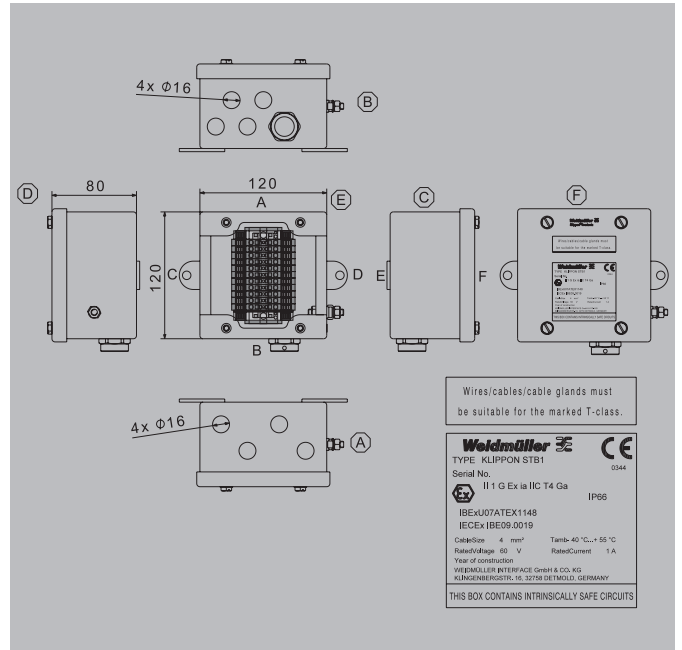
Technical Overview

Technical data

| Enclosures | |
|-----------------------------|---|
| Material | Stainless steel 1.4404 (316L) 1.5 mm |
| Surface finish | Mirror-polished (Klippon® STB) |
| IP protection class | IP66 to DIN EN 60529 |
| Gasket material | Silicone |
| Terminal block | |
| Material | Wemid |
| Colour | beige, blue or green/yellow |
| Connection system | screw connection |
| Clampable wires (H05V/H07V) | solid, flexible and flexible with ferrule |
| Note | |

Approvals for Klippon® STB

| | |
|---|-------------------|
| ATEX certificate | IBExU07ATEX1148 |
| IECEX certificate | IECEX IBE 09.0019 |
| EAC certificate | RUC-DE.08.B.01328 |
| Note | |
| Labelling depends on the application layout. For details of power dissipation, please contact your Weidmüller representative. | |



Height / Width / Depth 120 / 120 / 80 mm

Ordering data

| | Order No. |
|------------|------------|
| STB 1 EXIA | 8000028394 |

Note

Technical data

| | |
|--|--|
| Article - short description | Klippon® Klippon STB (Small Terminal Box)- Enclosures, Terminal Box |
| Identification | Ex ia IIC T4 Ga |
| Certificate no. assembled enclosure (ATEX) | IBEXU 07ATEX1148 |
| Certificate no. assembled enclosure (IECEX) | IECEX IBE09.0019 |
| Standards | IEC 60079-0, IEC 60079-7, IEC 60079-11, IEC 60079-31, EN 60079-0, EN 60079-7, EN 60079-11, EN 60079-31 |
| Ambient temperature | Tamb -40°C...+55°C |
| Type label material | Polyester coated with aluminium |
| Protection class | IP66 |
| Assembly | |
| Modular terminal blocks | 1x11 |
| Rated cross-section | 4 mm ² |
| Rated voltage | 60 V |
| Rated current | 1.00 A |
| Drill holes side A | 4 x M16 |
| Drill holes side B | 4 x M16, 1 x BDX |
| Technical data, enclosure | |
| Material | Stainless steel 1.4404 (316L) |
| Surface finish | Mirror polished |
| Material thickness | 1.5 mm |
| Seal material | Silicone |
| Enclosure attachment | Welded-on mounting foot with 8-mm holes |
| Mounting dimension - height / -width | 60 mm / 145 mm |
| Lid attachment | M5 hex-head slotted screws SW10 |
| Access opening: width / Access opening: height | 100 mm / 99.4 mm |
| Earth, enclosure, external | Welded-on M6 x 16 stainless-steel bolts |
| Earth, enclosure, internal | Welded-on M6 x 16 stainless-steel bolts |

Note

Accessories

| Pressure compensating element with drainage function | Order No. |
|--|------------|
| M20, brass | 2519520000 |
| Cable glands | |
| Nickel-plated brass, Ex e, M16, 3-12 mm | 1460040000 |
| Blanking plugs | |
| Stainless steel 1.4404 (316L), Ex e, M16 | 1477820000 |
| Locknuts | |
| Nickel-plated brass, M16 | 1736990000 |
| Grounding strap | |
| green-yellow, 6 mm ² for M6 bolt | 2475490000 |

Note

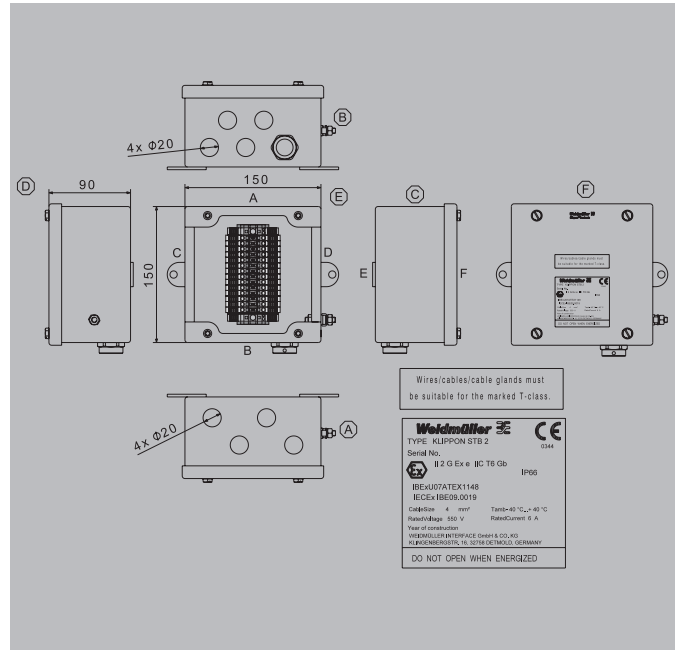
Reference products

| | Order No. |
|-------------------|------------|
| KLIPPON STB 1 SS | 1002690000 |
| WDU 4 BL | 1020180000 |
| KLIPPON BDX M20 S | 2519550000 |

Note

Klippon® STB 2 Ex e terminal box

Depth 90 mm



Height / Width / Depth 150 / 150 / 90 mm

Ordering data

| | Order No. |
|------------|------------|
| STB 2 Ex e | 8000028395 |

Note

Technical data

| | |
|--|--|
| Article - short description | Klippon® Klippon STB (Small Terminal Box)- Enclosures, Terminal Box |
| Identification | Ex eb IIC T6 Gb |
| Certificate no. assembled enclosure (ATEX) | IBExU 07ATEX1148 |
| Certificate no. assembled enclosure (IECEx) | IECEX IBE09.0019 |
| Standards | IEC 60079-0, IEC 60079-7, IEC 60079-11, IEC 60079-31, EN 60079-0, EN 60079-7, EN 60079-11, EN 60079-31 |
| Ambient temperature | Tamb -40°C...+40°C |
| Type label material | Polyester coated with aluminium |
| Protection class | IP66 |
| Assembly | |
| Modular terminal blocks | 1x14 |
| Rated cross-section | 4 mm² |
| Rated voltage | 550 V |
| Rated current | 6.00 A |
| Drill holes side A | 4 x M20 |
| Drill holes side B | 4 x M20, 1 x BDX |
| Technical data, enclosure | |
| Material | Stainless steel 1.4404 (316L) |
| Surface finish | Mirror polished |
| Material thickness | 1.5 mm |
| Seal material | Silicone |
| Enclosure attachment | Welded-on mounting foot with 8-mm holes |
| Mounting dimension - height / -width | 75 mm / 175 mm |
| Lid attachment | M5 hex-head slotted screws SW10 |
| Access opening: width / Access opening: height | 130 mm / 130 mm |
| Earth, enclosure, external | Welded-on M6 x 16 stainless-steel bolts |
| Earth, enclosure, internal | Welded-on M6 x 16 stainless-steel bolts |

Note

Accessories

| Pressure compensating element with drainage function | Order No. |
|--|------------|
| M20, brass | 2519520000 |
| Cable glands | |
| Nickel-plated brass, Ex e, M20, 3-12 mm | 1460050000 |
| Blanking plugs | |
| Stainless steel 1.4404 (316L), Ex e, M20 | 1477840000 |
| Locknuts | |
| Plastic, M20 | 1736930000 |
| Nickel-plated brass, M20 | 1737000000 |
| Grounding strap | |
| green-yellow, 6 mm² for M6 bolt | 2475490000 |
| Note | |

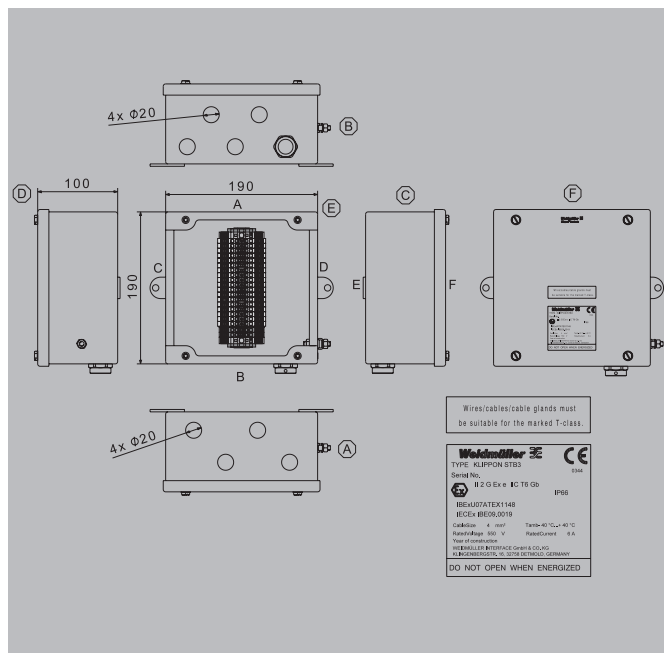
Reference products

| | Order No. |
|-------------------|------------|
| KLIPPON STB 2 SS | 1002740000 |
| WDU 4 | 1020100000 |
| KLIPPON BDX M20 S | 2519550000 |

Note

Klippon® STB 3 Ex e terminal box

Depth 100 mm



Height / Width / Depth 190 / 190 / 100 mm

Ordering data

| | Order No. |
|------------|------------|
| STB 3 Ex e | 8000028396 |

Note

Technical data

| | |
|--|--|
| Article - short description | Klippon® Klippon STB (Small Terminal Box)- Enclosures, Terminal Box |
| Identification | Ex eb IIC T6 Gb |
| Certificate no. assembled enclosure (ATEX) | IBEXU 07ATEX1148 |
| Certificate no. assembled enclosure (IECEx) | IECEX IBE09.0019 |
| Standards | IEC 60079-0, IEC 60079-7, IEC 60079-11, IEC 60079-31, EN 60079-0, EN 60079-7, EN 60079-11, EN 60079-31 |
| Ambient temperature | Tamb -40°C...+40°C |
| Type label material | Polyester coated with aluminium |
| Protection class | IP66 |
| Assembly | |
| Modular terminal blocks | 1x18, 2 x PE |
| Rated cross-section | 4 mm² |
| Rated voltage | 550 V |
| Rated current | 6.00 A |
| Drill holes side A | 4 x M20 |
| Drill holes side B | 4 x M20, 1 x BDX |
| Technical data, enclosure | |
| Material | Stainless steel 1.4404 (316L) |
| Surface finish | Mirror polished |
| Material thickness | 1.5 mm |
| Seal material | Silicone |
| Enclosure attachment | Welded-on mounting foot with 8-mm holes |
| Mounting dimension - height / -width | 95 mm / 215 mm |
| Lid attachment | M5 hex-head slotted screws SW10 |
| Access opening: width / Access opening: height | 170 mm / 170 mm |
| Earth, enclosure, external | Welded-on M6 x 16 stainless-steel bolts |
| Earth, enclosure, internal | Welded-on M6 x 16 stainless-steel bolts |

Note

Accessories

| | | |
|--|--|----------------------|
| Pressure compensating element with drainage function | M20, brass | Order No. 2519520000 |
| Cable glands | Nickel-plated brass, Ex e, M20, 3-12 mm | 1460050000 |
| Blanking plugs | Stainless steel 1.4404 (316L), Ex e, M20 | 1477840000 |
| Locknuts | Plastic, M20 | 1736930000 |
| | Nickel-plated brass, M20 | 1737000000 |
| Grounding strap | green-yellow, 6 mm² for M6 bolt | 2475490000 |

Note

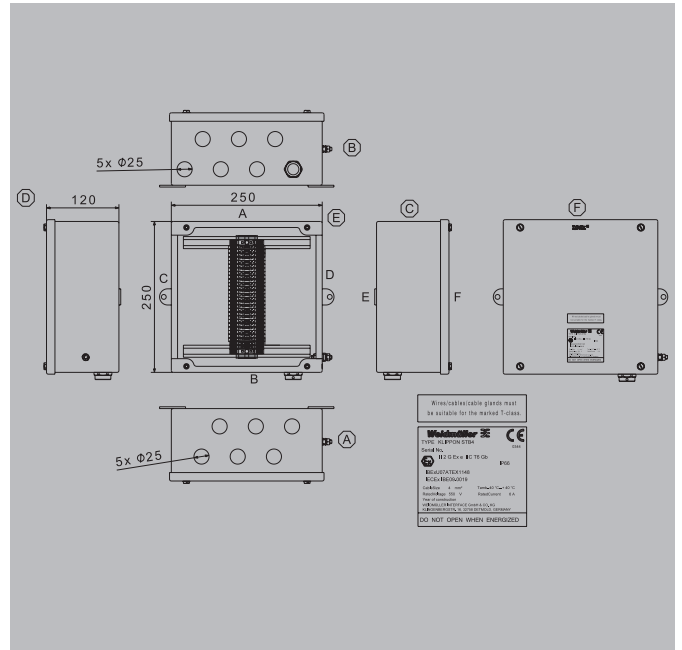
Reference products

| | Order No. |
|-------------------|------------|
| KLIPPON STB 3 SS | 1002720000 |
| WDU 4 | 1020100000 |
| WPE 4 | 1010100000 |
| KLIPPON BDX M20 S | 2519550000 |

Note

Klippon® STB 4 Ex e terminal box

Depth 120 mm



250 / 250 / 120 mm

Ordering data

| | Order No. |
|-----------|------------|
| STB 4 Exe | 8000028397 |

Note

Technical data

| | |
|--|--|
| Article - short description | Klippon® Klippon STB (Small Terminal Box)- Enclosures, Terminal Box |
| Identification | Ex eb IIC T6 Gb |
| Certificate no. assembled enclosure (ATEX) | IBExU 07ATEX1148 |
| Certificate no. assembled enclosure (IECEX) | IECEX IBE09.0019 |
| Standards | IEC 60079-0, IEC 60079-7, IEC 60079-11, IEC 60079-31, EN 60079-0, EN 60079-7, EN 60079-11, EN 60079-31 |
| Ambient temperature | Tamb -40°C...+40°C |
| Type label material | Polyester coated with aluminium |
| Protection class | IP66 |
| Assembly | |
| Modular terminal blocks | 1x26, 2 x PE |
| Rated cross-section | 4 mm² |
| Rated voltage | 550 V |
| Rated current | 6.00 A |
| Drill holes side A | 6 x M25 |
| Drill holes side B | 6 x M25, 1 x BDX |
| Technical data, enclosure | |
| Material | Stainless steel 1.4404 (316L) |
| Surface finish | Mirror polished |
| Material thickness | 1.5 mm |
| Seal material | Silicone |
| Enclosure attachment | Welded-on mounting foot with 8-mm holes |
| Mounting dimension - height / -width | 125 mm / 275 mm |
| Lid attachment | M5 hex-head slotted screws SW10 |
| Access opening: width / Access opening: height | 230 mm / 230 mm |
| Earth, enclosure, external | Welded-on M6 x 16 stainless-steel bolts |
| Earth, enclosure, internal | Welded-on M6 x 16 stainless-steel bolts |

Note

Accessories

| Pressure compensating element with drainage function | Order No. |
|--|------------|
| M20, brass | 2519520000 |
| Cable glands | |
| Nickel-plated brass, Ex e, M25, 10-18 mm | 1460070000 |
| Blanking plugs | |
| Stainless steel 1.4404 (316L), Ex e, M25 | 1477870000 |
| Locknuts | |
| Plastic, M25 | 1736940000 |
| Nickel-plated brass, M25 | 1737010000 |
| Grounding strap | |
| green-yellow, 6 mm² for M6 bolt | 2475490000 |
| Note | |

Reference products

| | Order No. |
|-------------------|------------|
| KLIPPON STB 4 SS | 1002710000 |
| WDU 4 | 1020100000 |
| WPE 4 | 1010100000 |
| KLIPPON BDX M20 S | 2519550000 |

Note

Safely control work processes in hazardous areas on site

With certified enclosure solutions with control and display elements

C

Harsh industrial environments and hazardous areas, such as in the oil and gas industry, place extreme demands on the safety, the robustness and quality of products and devices.

We meet these challenges with the Klippon® Control Station, the addition to our range of customised enclosure solutions. More than 50 years of expertise have made us market leader in this area with global competence centres. The basis of our enclosure solutions is provided by the usual Weidmüller quality and comprehensive approvals for explosion hazard areas. Based on this, our sturdy “on-site control station” is available in two standard sizes and with up to four control and display elements and provides a flexible solution to meet your specific needs.

Order your distributor enclosure as well as control and signaling units from a single source and from one enclosure design – for reliable security and reduced storage costs for maintenance and repair operations.

Your special advantages:

Ideal for urgent service calls

We have prepared moduls of the proven Klippon® enclosure series STB available for you for further processing. This means we manufacture a control solution suitable for your application at short notice.



Predestined for emergency shutdown applications: Klippon® Control Stations score when it comes to the safe shutdown of plant sections, such as in the process industry

Project solutions from a single source

Obtain command/signaling units and distribution and control boxes as a complete solution – tailored to the individual requirements of your projects in hazardous areas.

Customised assembly

In addition to standard types from stock, you can obtain enclosure solutions from us that are completely assembled and equipped according to customer requirements.



A variety of sizes and materials

Enclosures in stainless steel, aluminium or polyester are available for different environmental conditions. Depending on the size of the enclosure, it provides space for the integration of up to four control and display elements.

International certificates

The Klippon® Control Station is tested and certified among others according to ATEX and IECEx.



Durability for maximum requirements

Klippon® Protect sets the highest standards with stainless steel enclosures

The enclosure ranges Klippon® TB and Klippon® STB are offered in stainless steel and boost market leading performance characteristics, which even allow them to meet the demanding requirements for use with the harshest environments. The enclosures are certified and comply with the latest international standards – including ATEX and IECEx.

Additional features:

- Standard silicone seals for use in extreme temperature environments
- High Ingress Performance - IP66
- Welded-on mounting feet for wall mounting



Technical data

| Technical data | Stainless steel |
|---|---|
| Material | Stainless steel 1.4404 (316L) 1.50 mm |
| Surface finish | Mirror-polished |
| Colour | Natural |
| IP protection class | IP 54; IP 66 |
| Ambient temperature | -55 °C to 55 °C |
| Seal material of enclosure | Silicone |
| Seal material of command and signalling units | EPDM |
| Flammability rating | - |
| Impact resistance IK | 7 joules in acc. with IEC60079-0 4 joules in acc. with IEC60079-0 with integrated illuminated pushbutton or light module |
| Cable gland material | Nickel-plated brass |
| Cable gland clamping area min. - max. in mm | |
| M20 | 3-12 mm |
| M25 | 10-18 mm |
| Max. rated cross-section | 2.5 mm ² |
| Max. operating voltage with integrated illuminated pushbutton or light module | 400 V |
| Maximum operating current at 40 °C ambient temperature | 250 V |
| 1.5 mm ² - T6 | 10 A |
| 1.5 mm ² - T5 | 16 A |
| 2.5 mm ² - T6 | 16 A |
| Maximum operating current at 55 °C ambient temperature | |
| 1.5 mm ² - T4 | 16 A |
| 1.5 mm ² - T5 | 10 A |
| 2.5 mm ² - T5 | 16 A |
| Temperature class | T4, T5, T6 |
| Type of mounting | Wall mounting |
| Earthing inside | M6x10 earthing studs integrated in the cover, stainless steel |
| Lid attachment | Hexagonal slothead screws SW10 |
| Lid screw torque | 2.5 Nm |
| Earthing torque | 7.5 Nm |
| Earthing outside | M6 earthing studs, stainless steel |
| Approvals | IECExITA14.0013X TUEV14ATEX7606X MARITREG 15.40082.250 |
| Marking | 2G Ex e d IIC T* Gb 2G Ex ib d [ia] IIC T* Gb 2D Ex tb IIC T80/100 °C Db |
| Mounting feet | 2 welded-on mounting feet with 8 mm holes |



| | Number of built-in components | | | Emergency stop pushbutton red | Key switch I – 0 – II | Pushbutton | | Illuminated push button | | Light module | | Dimensions with built-in components HxWxD in mm | Designation | Cable gland | Order number | |
|-----------------|-------------------------------|----|-----|----------------------------------|--------------------------|------------|-------|-------------------------|-------|--------------|-------|--|----------------------|-------------|--------------|--|
| | • | •• | ••• | | | red | green | red | green | red | green | | | | | |
| Stainless steel | • | | | 1 | | | | | | | | 150x120x119 | KLIPPON CS STB 1-1 | VG M20 | 1537200000 | |
| | • | | | | | | 1 | | | | | 150x120x95 | KLIPPON CS STB 1-1 | VG M20 | 1537210000 | |
| | • | | | | 1 | | | | | | | 150x120x109 | KLIPPON CS STB 1-1 | VG M20 | 1537220000 | |
| | • | | | | | | | | 1 | | | 150x120x96 | KLIPPON CS STB 1-1 | VG M20 | 1537230000 | |
| | • | | | 1 | | | | | | | | 153x120x119 | KLIPPON CS STB 1-2 | VG M25 | 1537240000 | |
| | • | | | | | | | 1 | | | | 153x120x95 | KLIPPON CS STB 1-2 | VG M25 | 1537250000 | |
| | • | | | | 1 | | | | | | | 153x120x109 | KLIPPON CS STB 1-2 | VG M25 | 1537280000 | |
| | • | | | | | | | | | | | 153x120x96 | KLIPPON CS STB 1-2 | VG M25 | 1537290000 | |
| | • | • | | | | | 1 | 1 | | | | 223x150x95 | KLIPPON CS STB 2.1-2 | VG M25 | 1537300000 | |
| | • | • | | | | | | | 1 | | 1 | 223x150x103 | KLIPPON CS STB 2.1-2 | VG M25 | 1537310000 | |
| | • | • | | 1 | | | | | | | 1 | 223x150x119 | KLIPPON CS STB 2.1-2 | VG M25 | 1537320000 | |
| | • | • | • | | | | 1 | 2 | | | | 223x150x95 | KLIPPON CS STB 2.1-6 | VG M25 | 1537330000 | |
| | • | • | • | | | | 1 | 1 | | 1 | | 223x150x103 | KLIPPON CS STB 2.1-7 | VG M25 | 1537340000 | |
| | • | • | • | 1 | | | 1 | 1 | | | | 220x150x119 | KLIPPON CS STB 2.1-7 | VG M20 | 1537370000 | |

Klippon® CS STB 1-1



Klippon® CS STB 1-1



Technical data

| | |
|--|--|
| Enclosure | |
| Dimensions with installation (HxBxD) | |
| Material | |
| General characteristics | |
| Surface finish / Colour | |
| Protection class | |
| Ambient temperature | |
| Impact resistance | |
| Enclosure seal material | |
| Seal material of operating and display elements | |
| Type of mounting | |
| Internal earth | |
| External earth | |
| Lid attachment | |
| Torque for lid screws | |
| Earth stud torque | |
| Electrical properties* | |
| Wire connection cross section, finely stranded, max. | |
| Operating voltage, max. | |
| Temperature class | |
| Enclosure assembly | |
| 1 Position in enclosure | |
| 2 Position in enclosure | |
| 3 Position in enclosure | |
| 4 Position in enclosure | |
| Contact design | |
| Actuators | |
| Actuator colour | |
| Illumination module colour | |
| Illuminated button actuator colour | |
| Cable entries | |
| Drill holes side B | |
| Cable gland | |
| Clamping range min. / max. | |
| Approval and Marking | |
| Standards | |
| Certificate No. (IECEX) | |
| Certificate No. (ATEX) | |
| Certificate No. (EAC) | |
| Certificate No. (MARITREG) | |
| Marking | |

| | |
|--|---|
| Dimensions with installation (HxBxD) | 150 / 120 / 119 mm |
| Material | Stainless steel 1.4404 (316L) |
| Surface finish / Colour | Mirror polished / Natural |
| Protection class | IP54, IP66 |
| Ambient temperature | -55 °C...+55 °C |
| Impact resistance | 7 joules in acc. with IEC 60079-0 |
| Enclosure seal material | Silicone (VMQ) |
| Seal material of operating and display elements | EPDM |
| Type of mounting | Wall mounting |
| Internal earth | M6 x 10 earthing studs integrated in the lid, stainless steel |
| External earth | M6 earthing studs, stainless steel |
| Lid attachment | M5 hexagonal screw with slot and 10mm distance across flats |
| Torque for lid screws | 2.5 Nm |
| Earth stud torque | 7.5 Nm |
| Wire connection cross section, finely stranded, max. | 2.5 mm ² |
| Operating voltage, max. | 400 V |
| Temperature class | T4, T5, T6 |
| 1 Position in enclosure | EMERGENCY-STOP pushbutton with yellow, contrasting label |
| 2 Position in enclosure | |
| 3 Position in enclosure | |
| 4 Position in enclosure | |
| Contact design | 2 NC contact, positive opening contacts |
| Actuators | EMERGENCY STOP pushbutton |
| Actuator colour | red |
| Illumination module colour | |
| Illuminated button actuator colour | |
| Drill holes side B | 1 x M20 |
| Cable gland | 1460050000 - VG M20 EXE MS |
| Clamping range min. / max. | 3 mm / 12 mm |
| Standards | IEC 60079-0, IEC 60079-7, IEC 60079-31 |
| Certificate No. (IECEX) | IECEXITA14.0013X |
| Certificate No. (ATEX) | TUEV14ATEX7606X |
| Certificate No. (EAC) | RUC-DE.TB08.B.01838 |
| Certificate No. (MARITREG) | 15.40082.250 |
| Marking | II 2 G Ex d e IIC T* Gb II 2 D Ex tb IIIC T*°C Db |

| | |
|--|---|
| Dimensions with installation (HxBxD) | 150 / 120 / 95 mm |
| Material | Stainless steel 1.4404 (316L) |
| Surface finish / Colour | Mirror polished / Natural |
| Protection class | IP54, IP66 |
| Ambient temperature | -55 °C...+55 °C |
| Impact resistance | 7 joules in acc. with IEC 60079-0 |
| Enclosure seal material | Silicone (VMQ) |
| Seal material of operating and display elements | EPDM |
| Type of mounting | Wall mounting |
| Internal earth | M6 x 10 earthing studs integrated in the lid, stainless steel |
| External earth | M6 earthing studs, stainless steel |
| Lid attachment | M5 hexagonal screw with slot and 10mm distance across flats |
| Torque for lid screws | 2.5 Nm |
| Earth stud torque | 7.5 Nm |
| Wire connection cross section, finely stranded, max. | 2.5 mm ² |
| Operating voltage, max. | 400 V |
| Temperature class | T4, T5, T6 |
| 1 Position in enclosure | Pushbutton - green |
| 2 Position in enclosure | |
| 3 Position in enclosure | |
| 4 Position in enclosure | |
| Contact design | 1 NC contact, 1 NO contacts |
| Actuators | Pushbutton |
| Actuator colour | green |
| Illumination module colour | |
| Illuminated button actuator colour | |
| Drill holes side B | 1 x M20 |
| Cable gland | 1460050000 - VG M20 EXE MS |
| Clamping range min. / max. | 3 mm / 12 mm |
| Standards | IEC 60079-0, IEC 60079-7, IEC 60079-31 |
| Certificate No. (IECEX) | IECEXITA14.0013X |
| Certificate No. (ATEX) | TUEV14ATEX7606X |
| Certificate No. (EAC) | RUC-DE.BE02.B.00173 |
| Certificate No. (MARITREG) | 15.40082.250 |
| Marking | II 2 G Ex d e IIC T* Gb II 2 D Ex tb IIIC T*°C Db |

| | |
|-------------|--|
| Note | |
|-------------|--|

Ordering data

| | | |
|--------------------|-------------|------------------|
| Type | Qty. | Order No. |
| KLIPPON CS STB 1-1 | 1 | 1537200000 |

| | | |
|--------------------|-------------|------------------|
| Type | Qty. | Order No. |
| KLIPPON CS STB 1-1 | 1 | 1537210000 |

| | |
|-------------|--|
| Note | *Other temperature classes and connection values on request, or see "Notice to Installer". |
|-------------|--|

| | |
|-------------|--|
| Note | *Other temperature classes and connection values on request, or see "Notice to Installer". |
|-------------|--|

Klippon® CS STB 1-1



| |
|---|
| 150 / 120 / 109 mm |
| Stainless steel 1.4404 (316L) |
| Mirror polished / Natural |
| IP54, IP66 |
| -55 °C...+55 °C |
| 7 joules in acc. with IEC 60079-0 |
| Silicone (VMQ) |
| EPDM |
| Wall mounting |
| M6 x 10 earthing studs integrated in the lid, stainless steel |
| M6 earthing studs, stainless steel |
| M5 hexagonal screw with slot and 10mm distance across flats |
| 2.5 Nm |
| 7.5 Nm |
| 2.5 mm ² |
| 400 V |
| T4, T5, T6 |
| Key-operated switch |
| 1 NC contact, 1 NO contacts |
| Key-operated switch, 3 switching positions, I - 0 - II, (I + II), latching, Key retractable |
| 1 x M20 |
| 1460050000 - VG M20 EXE MS |
| 3 mm / 12 mm |
| IEC 60079-0, IEC 60079-7, IEC 60079-31 |
| IECEXITA14.0013X |
| TUEV14ATEX7606X |
| RUC-DE.BE02.B.00173 |
| 15.40082.250 |
| II 2 G Ex d e IIC T* Gb |
| II 2 D Ex tb IIIC T**C Db |

| Type | Qty. | Order No. |
|--------------------|------|------------|
| KLIPPON CS STB 1-1 | 1 | 1537220000 |

*Other temperature classes and connection values on request, or see "Notice to Installer".

Klippon® CS STB 1-1



| |
|---|
| 150 / 120 / 96 mm |
| Stainless steel 1.4404 (316L) |
| Mirror polished / Natural |
| IP54, IP66 |
| -55 °C...+55 °C |
| 4 joules in acc. with IEC 60079-0 |
| Silicone (VMQ) |
| EPDM |
| Wall mounting |
| M6 x 10 earthing studs integrated in the lid, stainless steel |
| M6 earthing studs, stainless steel |
| M5 hexagonal screw with slot and 10mm distance across flats |
| 2.5 Nm |
| 7.5 Nm |
| 2.5 mm ² |
| 250 V |
| T4, T5, T6 |
| Illuminated pushbutton - green |
| 2 NO contacts |
| Pushbutton |
| green |
| green |
| 1 x M20 |
| 1460050000 - VG M20 EXE MS |
| 3 mm / 12 mm |
| IEC 60079-0, IEC 60079-7, IEC 60079-31 |
| IECEXITA14.0013X |
| TUEV14ATEX7606X |
| RUC-DE.BE02.B.00173 |
| 15.40082.250 |
| II 2 G Ex d e IIC T* Gb |
| II 2 D Ex tb IIIC T**C Db |

| Type | Qty. | Order No. |
|--------------------|------|------------|
| KLIPPON CS STB 1-1 | 1 | 1537230000 |

*Other temperature classes and connection values on request, or see "Notice to Installer".

Klippon® CS STB 1-2



| |
|---|
| 153 / 120 / 119 mm |
| Stainless steel 1.4404 (316L) |
| Mirror polished / Natural |
| IP54, IP66 |
| -55 °C...+55 °C |
| 7 joules in acc. with IEC 60079-0 |
| Silicone (VMQ) |
| EPDM |
| Wall mounting |
| M6 x 10 earthing studs integrated in the lid, stainless steel |
| M6 earthing studs, stainless steel |
| M5 hexagonal screw with slot and 10mm distance across flats |
| 2.5 Nm |
| 7.5 Nm |
| 2.5 mm ² |
| 400 V |
| T4, T5, T6 |
| EMERGENCY-STOP pushbutton with yellow, contrasting label |
| 2 NC contact, positive opening contacts |
| EMERGENCY STOP pushbutton |
| red |
| 1 x M25 |
| 1460070000 - VG M25 EXE MS |
| 10 mm / 18 mm |
| IEC 60079-0, IEC 60079-7, IEC 60079-31 |
| IECEXITA14.0013X |
| TUEV14ATEX7606X |
| RUC-DE.TB08.B.01838 |
| 15.40082.250 |
| II 2 G Ex d e IIC T* Gb |
| II 2 D Ex tb IIIC T**C Db |

| Type | Qty. | Order No. |
|--------------------|------|------------|
| KLIPPON CS STB 1-2 | 1 | 1537240000 |

*Other temperature classes and connection values on request, or see "Notice to Installer".

Klippon® CS STB 1-2



Klippon® CS STB 1-2



Technical data

| | |
|--|--|
| Enclosure | |
| Dimensions with installation (HxBxD) | |
| Material | |
| General characteristics | |
| Surface finish / Colour | |
| Protection class | |
| Ambient temperature | |
| Impact resistance | |
| Enclosure seal material | |
| Seal material of operating and display elements | |
| Type of mounting | |
| Internal earth | |
| External earth | |
| Lid attachment | |
| Torque for lid screws | |
| Earth stud torque | |
| Electrical properties* | |
| Wire connection cross section, finely stranded, max. | |
| Operating voltage, max. | |
| Temperature class | |
| Enclosure assembly | |
| 1 Position in enclosure | |
| 2 Position in enclosure | |
| 3 Position in enclosure | |
| 4 Position in enclosure | |
| Contact design | |
| Actuators | |
| Actuator colour | |
| Illumination module colour | |
| Illuminated button actuator colour | |
| Cable entries | |
| Drill holes side B | |
| Cable gland | |
| Clamping range min. / max. | |
| Approval and Marking | |
| Standards | |
| Certificate No. (IECEX) | |
| Certificate No. (ATEX) | |
| Certificate No. (EAC) | |
| Certificate No. (MARITREG) | |
| Marking | |

| | |
|--|---|
| Dimensions with installation (HxBxD) | 153 / 120 / 95 mm |
| Material | Stainless steel 1.4404 (316L) |
| Surface finish / Colour | Mirror polished / Natural |
| Protection class | IP54, IP66 |
| Ambient temperature | -55 °C...+55 °C |
| Impact resistance | 7 joules in acc. with IEC 60079-0 |
| Enclosure seal material | Silicone (VMQ) |
| Seal material of operating and display elements | EPDM |
| Type of mounting | Wall mounting |
| Internal earth | M6 x 10 earthing studs integrated in the lid, stainless steel |
| External earth | M6 earthing studs, stainless steel |
| Lid attachment | M5 hexagonal screw with slot and 10mm distance across flats |
| Torque for lid screws | 2.5 Nm |
| Earth stud torque | 7.5 Nm |
| Wire connection cross section, finely stranded, max. | 2.5 mm ² |
| Operating voltage, max. | 400 V |
| Temperature class | T4, T5, T6 |
| 1 Position in enclosure | Pushbutton - green |
| 2 Position in enclosure | |
| 3 Position in enclosure | |
| 4 Position in enclosure | |
| Contact design | 1 NC contact, 1 NO contacts |
| Actuators | Pushbutton |
| Actuator colour | green |
| Illumination module colour | |
| Illuminated button actuator colour | |
| Drill holes side B | 1 x M25 |
| Cable gland | 1460070000 - VG M25 EXE MS |
| Clamping range min. / max. | 10 mm / 18 mm |
| Standards | IEC 60079-0, IEC 60079-7, IEC 60079-31 |
| Certificate No. (IECEX) | IECEXITA14.0013X |
| Certificate No. (ATEX) | TUEV14ATEX7606X |
| Certificate No. (EAC) | RUC-DE.BE02.B.00173 |
| Certificate No. (MARITREG) | 15.40082.250 |
| Marking | II 2 G Ex d e IIC T* Gb II 2 D Ex tb IIIC T*°C Db |

| | |
|--|---|
| Dimensions with installation (HxBxD) | 153 / 120 / 109 mm |
| Material | Stainless steel 1.4404 (316L) |
| Surface finish / Colour | Mirror polished / Natural |
| Protection class | IP54, IP66 |
| Ambient temperature | -55 °C...+55 °C |
| Impact resistance | 7 joules in acc. with IEC 60079-0 |
| Enclosure seal material | Silicone (VMQ) |
| Seal material of operating and display elements | EPDM |
| Type of mounting | Wall mounting |
| Internal earth | M6 x 10 earthing studs integrated in the lid, stainless steel |
| External earth | M6 earthing studs, stainless steel |
| Lid attachment | M5 hexagonal screw with slot and 10mm distance across flats |
| Torque for lid screws | 2.5 Nm |
| Earth stud torque | 7.5 Nm |
| Wire connection cross section, finely stranded, max. | 2.5 mm ² |
| Operating voltage, max. | 400 V |
| Temperature class | T4, T5, T6 |
| 1 Position in enclosure | Key-operated switch |
| 2 Position in enclosure | |
| 3 Position in enclosure | |
| 4 Position in enclosure | |
| Contact design | 1 NC contact, 1 NO contacts |
| Actuators | Key-operated switch, 3 switching positions, I - 0 - II, (I + II), latching, Key retractable |
| Actuator colour | |
| Illumination module colour | |
| Illuminated button actuator colour | |
| Drill holes side B | 1 x M25 |
| Cable gland | 1460070000 - VG M25 EXE MS |
| Clamping range min. / max. | 10 mm / 18 mm |
| Standards | IEC 60079-0, IEC 60079-7, IEC 60079-31 |
| Certificate No. (IECEX) | IECEXITA14.0013X |
| Certificate No. (ATEX) | TUEV14ATEX7606X |
| Certificate No. (EAC) | RUC-DE.TB08.B.01838 |
| Certificate No. (MARITREG) | 15.40082.250 |
| Marking | II 2 G Ex d e IIC T* Gb II 2 D Ex tb IIIC T*°C Db |

| | |
|-------------|--|
| Note | |
|-------------|--|

Ordering data

| | | |
|--------------------|-------------|------------------|
| Type | Qty. | Order No. |
| KLIPPON CS STB 1-2 | 1 | 1537250000 |

| | | |
|--------------------|-------------|------------------|
| Type | Qty. | Order No. |
| KLIPPON CS STB 1-2 | 1 | 1537280000 |

| | |
|-------------|--|
| Note | *Other temperature classes and connection values on request, or see "Notice to Installer". |
|-------------|--|

| | |
|-------------|--|
| Note | *Other temperature classes and connection values on request, or see "Notice to Installer". |
|-------------|--|

Klippon® CS STB 1-2



| |
|---|
| 153 / 120 / 96 mm |
| Stainless steel 1.4404 (316L) |
| Mirror polished / Natural |
| IP54, IP66 |
| -55 °C...+55 °C |
| 4 joules in acc. with IEC 60079-0 |
| Silicone (VMQ) |
| EPDM |
| Wall mounting |
| M6 x 10 earthing studs integrated in the lid, stainless steel |
| M6 earthing studs, stainless steel |
| M5 hexagonal screw with slot and 10mm distance across flats |
| 2.5 Nm |
| 7.5 Nm |
| 2.5 mm ² |
| 250 V |
| T4, T5, T6 |
| Illuminated pushbutton - green |
| 2 NO contacts |
| Pushbutton |
| green |
| green |
| 1 x M25 |
| 1460070000 - VG M25 EXE MS |
| 3 mm / 12 mm |
| IEC 60079-0, IEC 60079-7, IEC 60079-31 |
| IECEXITA14.0013X |
| TUEV14ATEX7606X |
| RUC-DE.BE02.B.00173 |
| 15.40082.250 |
| II 2 G Ex d e IIC T* Gb |
| II 2 D Ex tb IIIC T**C Db |

| Type | Qty. | Order No. |
|--------------------|------|------------|
| KLIPPON CS STB 1-2 | 1 | 1537290000 |

*Other temperature classes and connection values on request, or see "Notice to Installer".

Klippon® CS STB 2.1-2



| |
|---|
| 223 / 150 / 95 mm |
| Stainless steel 1.4404 (316L) |
| Mirror polished / Natural |
| IP54, IP66 |
| -55 °C...+55 °C |
| 7 joules in acc. with IEC 60079-0 |
| Silicone (VMQ) |
| EPDM |
| Wall mounting |
| M6 x 10 earthing studs integrated in the lid, stainless steel |
| M6 earthing studs, stainless steel |
| M5 hexagonal screw with slot and 10mm distance across flats |
| 2.5 Nm |
| 7.5 Nm |
| 2.5 mm ² |
| 400 V |
| T4, T5, T6 |
| Pushbutton - red |
| Pushbutton - green |
| 2 NC contact, 2 NO contacts |
| Pushbutton |
| red, green |
| green |
| 1 x M25 |
| 1460070000 - VG M25 EXE MS |
| 10 mm / 18 mm |
| IEC 60079-0, IEC 60079-7, IEC 60079-31 |
| IECEXITA14.0013X |
| TUEV14ATEX7606X |
| RUC-DE.BE02.B.00173 |
| 15.40082.250 |
| II 2 G Ex d e IIC T* Gb |
| II 2 D Ex tb IIIC T**C Db |

| Type | Qty. | Order No. |
|----------------------|------|------------|
| KLIPPON CS STB 2.1-2 | 1 | 1537300000 |

*Other temperature classes and connection values on request, or see "Notice to Installer".

Klippon® CS STB 2.1-2



| |
|---|
| 223 / 150 / 103 mm |
| Stainless steel 1.4404 (316L) |
| Mirror polished / Natural |
| IP54, IP66 |
| -55 °C...+55 °C |
| 4 joules in acc. with IEC 60079-0 |
| Silicone (VMQ) |
| EPDM |
| Wall mounting |
| M6 x 10 earthing studs integrated in the lid, stainless steel |
| M6 earthing studs, stainless steel |
| M5 hexagonal screw with slot and 10mm distance across flats |
| 2.5 Nm |
| 7.5 Nm |
| 2.5 mm ² |
| 250 V |
| T4, T5, T6 |
| Light module - green |
| Pushbutton - green |
| 1 NC contact, 1 NO contacts |
| Pushbutton |
| green |
| green |
| 1 x M25 |
| 1460070000 - VG M25 EXE MS |
| 10 mm / 18 mm |
| IEC 60079-0, IEC 60079-7, IEC 60079-31 |
| IECEXITA14.0013X |
| TUEV14ATEX7606X |
| RUC-DE.BE02.B.00173 |
| 15.40082.250 |
| II 2 G Ex d e IIC T* Gb |
| II 2 D Ex tb IIIC T**C Db |

| Type | Qty. | Order No. |
|----------------------|------|------------|
| KLIPPON CS STB 2.1-2 | 1 | 1537310000 |

*Other temperature classes and connection values on request, or see "Notice to Installer".

Klippon® CS STB 2.1-2



Klippon® CS STB 2.1-6



Technical data

| | |
|--|--|
| Enclosure | |
| Dimensions with installation (HxBxD) | |
| Material | |
| General characteristics | |
| Surface finish / Colour | |
| Protection class | |
| Ambient temperature | |
| Impact resistance | |
| Enclosure seal material | |
| Seal material of operating and display elements | |
| Type of mounting | |
| Internal earth | |
| External earth | |
| Lid attachment | |
| Torque for lid screws | |
| Earth stud torque | |
| Electrical properties* | |
| Wire connection cross section, finely stranded, max. | |
| Operating voltage, max. | |
| Temperature class | |
| Enclosure assembly | |
| 1 Position in enclosure | |
| 2 Position in enclosure | |
| 3 Position in enclosure | |
| 4 Position in enclosure | |
| Contact design | |
| Actuators | |
| Actuator colour | |
| Illumination module colour | |
| Illuminated button actuator colour | |
| Cable entries | |
| Drill holes side B | |
| Cable gland | |
| Clamping range min. / max. | |
| Approval and Marking | |
| Standards | |
| Certificate No. (IECEX) | |
| Certificate No. (ATEX) | |
| Certificate No. (EAC) | |
| Certificate No. (MARITREG) | |
| Marking | |

| |
|---|
| 223 / 150 / 119 mm |
| Stainless steel 1.4404 (316L) |
| Mirror polished / Natural |
| IP54, IP66 |
| -55 °C...+55 °C |
| 4 joules in acc. with IEC 60079-0 |
| Silicone (VMQ) |
| EPDM |
| Wall mounting |
| M6 x 10 earthing studs integrated in the lid, stainless steel |
| M6 earthing studs, stainless steel |
| M5 hexagonal screw with slot and 10mm distance across flats |
| 2.5 Nm |
| 7.5 Nm |
| 2.5 mm ² |
| 250 V |
| T4, T5, T6 |
| Light module - red |
| EMERGENCY-STOP pushbutton with yellow, contrasting label |
| |
| 2 NC contact, positive opening contacts |
| EMERGENCY STOP pushbutton |
| |
| red |
| |
| 1 x M25 |
| 1460070000 - VG M25 EXE MS |
| 10 mm / 18 mm |
| IEC 60079-0, IEC 60079-7, IEC 60079-31 |
| IECEXITA14.0013X |
| TUEV14ATEX7606X |
| RUC-DE.08.B.00472 |
| 15.40082.250 |
| II 2 G Ex d e IIC T* Gb |
| II 2 D Ex tb IIIC T*°C Db |

| |
|---|
| 223 / 150 / 95 mm |
| Stainless steel 1.4404 (316L) |
| Mirror polished / Natural |
| IP54, IP66 |
| -55 °C...+55 °C |
| 7 joules in acc. with IEC 60079-0 |
| Silicone (VMQ) |
| EPDM |
| Wall mounting |
| M6 x 10 earthing studs integrated in the lid, stainless steel |
| M6 earthing studs, stainless steel |
| M5 hexagonal screw with slot and 10mm distance across flats |
| 2.5 Nm |
| 7.5 Nm |
| 2.5 mm ² |
| 400 V |
| T4, T5, T6 |
| Pushbutton - green |
| Pushbutton - red |
| Pushbutton - green |
| |
| 3 NC contact, 3 NO contacts |
| Pushbutton |
| |
| green, red |
| |
| 1 x M25 |
| 1460070000 - VG M25 EXE MS |
| 10 mm / 18 mm |
| IEC 60079-0, IEC 60079-7, IEC 60079-31 |
| IECEXITA14.0013X |
| TUEV14ATEX7606X |
| RUC-DE.BE02.B.00173 |
| 15.40082.250 |
| II 2 G Ex d e IIC T* Gb |
| II 2 D Ex tb IIIC T*°C Db |

| |
|-------------|
| Note |
|-------------|

Ordering data

| |
|--|
| |
|--|

| Type | Qty. | Order No. |
|----------------------|------|------------|
| KLIPPON CS STB 2.1-2 | 1 | 1537320000 |

| Type | Qty. | Order No. |
|----------------------|------|------------|
| KLIPPON CS STB 2.1-6 | 1 | 1537330000 |

| |
|-------------|
| Note |
|-------------|

| |
|--|
| *Other temperature classes and connection values on request, or see "Notice to Installer". |
|--|

| |
|--|
| *Other temperature classes and connection values on request, or see "Notice to Installer". |
|--|

Klippon® CS STB 2.1-7



| |
|---|
| 223 / 150 / 103 mm |
| Stainless steel 1.4404 (316L) |
| Mirror polished / Natural |
| IP54, IP66 |
| -55 °C...+55 °C |
| 4 joules in acc. with IEC 60079-0 |
| Silicone (VMQ) |
| EPDM |
| Wall mounting |
| M6 x 10 earthing studs integrated in the lid, stainless steel |
| M6 earthing studs, stainless steel |
| M5 hexagonal screw with slot and 10mm distance across flats |
| 2.5 Nm |
| 7.5 Nm |
| 2.5 mm ² |
| 250 V |
| T4, T5, T6 |
| Pushbutton - red |
| Light module - green |
| Pushbutton - green |
| 2 NC contact, 2 NO contacts |
| Pushbutton |
| red, green |
| green |
| 1 x M25 |
| 1460070000 - VG M25 EXE MS |
| 10 mm / 18 mm |
| IEC 60079-0, IEC 60079-7, IEC 60079-31 |
| IECEXITA14.0013X |
| TUEV14ATEX7606X |
| RUC-DE.BE02.B.00173 |
| 15.40082.250 |
| II 2 G Ex d e IIC T* Gb |
| II 2 D Ex tb IIIC T**C Db |

| Type | Qty. | Order No. |
|----------------------|------|------------|
| KLIPPON CS STB 2.1-7 | 1 | 1537340000 |

*Other temperature classes and connection values on request, or see "Notice to Installer".

Klippon® CS STB 2.1-7



| |
|---|
| 220 / 150 / 119 mm |
| Stainless steel 1.4404 (316L) |
| Mirror polished / Natural |
| IP54, IP66 |
| -55 °C...+55 °C |
| 7 joules in acc. with IEC 60079-0 |
| Silicone (VMQ) |
| EPDM |
| Wall mounting |
| M6 x 10 earthing studs integrated in the lid, stainless steel |
| M6 earthing studs, stainless steel |
| M5 hexagonal screw with slot and 10mm distance across flats |
| 2.5 Nm |
| 7.5 Nm |
| 2.5 mm ² |
| 400 V |
| T4, T5, T6 |
| Pushbutton - green |
| Pushbutton - red |
| EMERGENCY-STOP pushbutton with yellow, contrasting label |
| 2 NO contacts, 2 NC contact, positive opening contacts |
| Pushbutton, EMERGENCY STOP pushbutton |
| green, red |
| 2 x M20 |
| 1460050000 - VG M20 EXE MS |
| 3 mm / 12 mm |
| IEC 60079-0, IEC 60079-7, IEC 60079-31 |
| IECEXITA14.0013X |
| TUEV14ATEX7606X |
| RUC-DE.BE02.B.00173 |
| 15.40082.250 |
| II 2 G Ex d e IIC T* Gb |
| II 2 D Ex tb IIIC T**C Db |

| Type | Qty. | Order No. |
|----------------------|------|------------|
| KLIPPON CS STB 2.1-7 | 1 | 1537370000 |

*Other temperature classes and connection values on request, or see "Notice to Installer".

Klippon® K – aluminium enclosure

Robust enclosure for industrial applications

C

The aluminium Klippon® K enclosures are suitable for use in an extremely wide range of different areas. Various components can be installed inside the enclosures, and will benefit in particular from the high temperature resistance, the excellent IP protection and the good impact resistance.



Standardised closure system

The cover is attached using captive Torx slotted screws. The highly functional screw connection with coated stainless steel screws allows for use even in corrosive atmospheres. Working with the enclosures requires just one single tool, as only Torx slotted screws are used.



Earth studs

M6 brass earth studs and M10 stainless steel earth studs are available as accessories. Klippon® K Ex enclosures are fitted with an M4 earth stud as standard, and are available on request.



High IP protection

There are no glued areas on the moulded seal of the enclosure, which helps ensure optimal leak-tightness. The seal guarantees an IP protection of IP66 to IP68 (depending on the use).



Mounting options

The matching terminal rails or mounting plates are available as accessories and can be used to install a wide range of different components inside the enclosure.



Versatile attachment options

The enclosure can be attached directly using the designated attachment holes. Alternatively, it can be attached from the outside using the assembly feet that are available as accessories.



Ex applications

Klippon® K enclosures with explosion protection for use in explosive risk zones are optionally available.



Customer-specific assembly

Enjoy more flexibility in your project business with Klippon® Services. We combine reliable planning, professional engineering and production in the perfect quality to create your customised product.



Klippon® K – Aluminium enclosures

Klippon® K-Series aluminium enclosures can be used in a variety of applications, e.g. for the assembly of modular terminal blocks, switches, power supplies, operational and display elements or electronic modules.

The extensive Klippon® K enclosure range has the following advantages:

- More flexibility – 19 different sizes
- Available in two surface finishes – powder-coated and natural
- Mounting holes not within the sealed area
- Fastening thread to attach mounting rails and plates
- Closed moulded gasket (no glue seam)

Weidmüller manufactures and supplies the enclosures to match customer specifications – fully fitted with terminals, electronics and cable glands.



C

i Use our online catalogue to find additional product details, technical information and additional services:
www.weidmuller.com/KlipponK

Overview of enclosures

Ordering data

| Description | Height x width x depth in mm | Powder-coated (RAL 7001)* | | | Unpainted | | |
|---------------|------------------------------|---------------------------|-------------------------|-----------------------|-----------------|-------------------------|-----------------------|
| | | Standard | | Ex enclosure** | Standard | | Ex enclosure** |
| | | CR moulded seal | Silicone moulded seal** | Silicone moulded seal | CR moulded seal | Silicone moulded seal** | Silicone moulded seal |
| Klippon® K 0 | 45 x 50 x 30 | 9529090000 | 1937920000 | | 0573200000 | 1939760000 | |
| Klippon® K 01 | 64 x 58 x 34 | 9529100000 | 1937850000 | | 1565240000 | 1939540000 | |
| Klippon® K 02 | 64 x 98 x 34 | 9529110000 | 1937840000 | | 1565250000 | 1939550000 | |
| Klippon® K 1 | 70 x 70 x 45 | 9529120000 | 1937630000 | 1329630000 | 0342000000 | 1939560000 | 9526840000 |
| Klippon® K 11 | 80 x 75 x 57 | 9529130000 | 1937910000 | 1329640000 | 0573300000 | 1939570000 | 9526850000 |
| Klippon® K 2 | 70 x 100 x 45 | 9529140000 | 1937930000 | 1329650000 | 0342100000 | 1939580000 | 9526860000 |
| Klippon® K 21 | 80 x 125 x 57 | 9529150000 | 1937830000 | 1328120000 | 0573400000 | 1939590000 | 9526870000 |
| Klippon® K 3 | 70 x 165 x 45 | 9529160000 | 1937900000 | 1329670000 | 0342200000 | 1939600000 | 9526880000 |
| Klippon® K 31 | 80 x 175 x 57 | 9529170000 | 1937820000 | 1329680000 | 0573500000 | 1939610000 | 9526890000 |
| Klippon® K 32 | 80 x 250 x 55 | 9529180000 | 1937810000 | 1329690000 | 1565260000 | 1939620000 | 9526900000 |
| Klippon® K 4 | 82 x 130 x 72 | 9529190000 | 1937890000 | 1329700000 | 0342300000 | 1939630000 | 9526910000 |
| Klippon® K 41 | 120 x 122 x 81 | 9529200000 | 1937800000 | 1329710000 | 1565270000 | 1939640000 | 9526920000 |
| Klippon® K 5 | 130 x 170 x 90 | 9529210000 | 1937860000 | 1329720000 | 0342400000 | 1939650000 | 9526930000 |
| Klippon® K 51 | 120 x 220 x 81 | 9529220000 | 1937750000 | 1328130000 | 1565280000 | 1939660000 | 9526940000 |
| Klippon® K 52 | 160 x 160 x 91 | 9529230000 | 1937740000 | 1329730000 | 1565290000 | 1939670000 | 9526950000 |
| Klippon® K 6 | 160 x 200 x 100 | 9529240000 | 1937870000 | 1329740000 | 0342500000 | 1939690000 | 9526960000 |
| Klippon® K 61 | 160 x 260 x 91 | 9529250000 | 1937730000 | 1328140000 | 0573600000 | 1939700000 | 9526970000 |
| Klippon® K 7 | 160 x 350 x 100 | 9529260000 | 1937880000 | 1329750000 | 0342600000 | 1939710000 | 9526980000 |
| Klippon® K 71 | 230 x 280 x 111 | 9529270000 | 1937720000 | 1329770000 | 0573700000 | 1939730000 | 9526990000 |

Note *Colour variations may occur under certain circumstances, **Delivery time on request, Ex enclosures available on request

Technical Overview

Features

- Two surfaces: natural and powder-coated
- High IP protection up to IP68
- Moulded silicone gasket for applications with high temperatures
- A uniform Torx®-slotted screw head is used for over 19 different enclosure sizes.
- Alloy is resistant to salt water
- Approved according to the latest international standards

Note We deliver enclosures through our assembly service which are ready to be connected and suitable for every application

Technical data

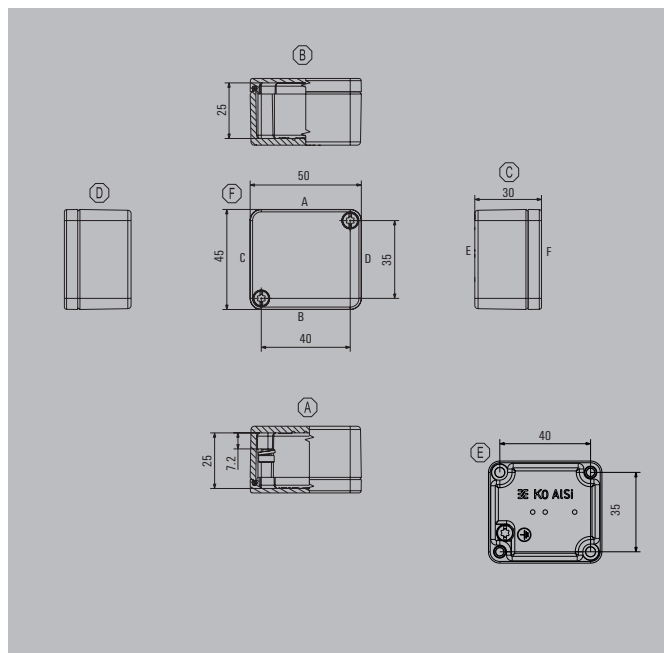
| | Ex | Standard |
|-----------------------|---|---|
| Enclosure material | High quality aluminium alloy (Al-Si12) | High quality aluminium alloy (Al-Si12) |
| Surface, untreated | Smooth | Smooth |
| Surface, painted | Silver grey, textured, similar to RAL 7001 | Silver grey, textured, similar to RAL 7001 |
| Painting | 50-90 µm paint thickness | 50-90 µm paint thickness |
| IP protection class | IP66, IP67 to DIN EN 60529 | IP66, IP67 and IP68* to DIN EN 60529 |
| NEMA | | 4, 4x |
| Earthing outside | Earthing studs, M4 | |
| Installation mounting | Flexible DIN rail mounting | Flexible DIN rail mounting |
| Enclosure mounting | Direct mounting with optional mounting brackets (from a size of 120 x 122 x 81 Klippon® K 41) | Direct mounting with optional mounting brackets (from a size of 120 x 122 x 81 Klippon® K 41) |
| Lid fixing | Captive stainless steel Torx® 20 or slotted screws. | Captive stainless steel Torx® 20 or slotted screws. |
| Impact resistance | 7J to IEC 60079-0 | IK 09 (10J) to DIN EN 50102 |
| Gasket material | Silicone (VMQ) | Chloroprene / Silicone (VMQ) |
| Temperature range | -60 °C...+135 °C | -40 °C...+80 °C with chloroprene gasket / -60 °C...+135 °C with silicone gasket |
| Lid screws, torque** | 2.5 Nm | 2.5 Nm |
| Note | * (t=72h; h=1m) ** To secure the lid we recommend the use of our Torx® TH20 screwdriver (9009160000) Depending on the screw head size, our slotted screwdriver may also be used as an alternative, Ex enclosures available on request | |

Approvals for empty enclosures

| | Ex | Standard |
|---------------------------|---|--------------|
| ATEX certificate | IBExU12ATEX1144 U | |
| ATEX marking | II 2G Ex e IIC Gb or II 2G Ex eb IIC II 2D Ex t IIIC Db or II 2D Ex tb IIIC | |
| IECEX certificate | IECEX IBE 13.0001U | |
| IECEX marking | Ex e IIC Gb or Ex eb IIC Ex tb IIIC Db or Ex tb IIIC | |
| EAC | E197061 (Ord.Loc.) | |
| cULus | | E197061 |
| Russian Maritime Register | 19.00108.272 | 19.00108.272 |
| DNV GL | TAE00002SM | TAE00002SM |
| Installation | The Klippon® K enclosure range can be pre-fitted in our customer specific production department according to your wishes. | |
| Note | This enclosure range is component certified. If other electrical components are inserted into the case, additional certification is required. | |

Approvals for control and distribution box

| | Ex | | |
|-------------------|---|-----------------|--|
| ATEX certificate | IBExU12ATEX1145 X | EAC certificate | RUC-DE.08.B.01328 |
| ATEX marking | II 2G Ex e IIC T6...T4 Gb or II 2G Ex eb IIC T6...T4 II 2G Ex ia IIC T6...T4 Gb or II 2 Ex ia IIC T6...T4 II 2(1)G Ex e ia IIC T6...T4 Gb or II 2(1)G Ex eb ia IIC T6...T4 II 2D Ex t IIIC T85°C...135°C Db or II 2 D Ex tb IIIC T85°C...135°C | EAC marking | II 2 G Ex eb IIC T6... T4 II 2 G Ex e IIC T6... T4 Gb II 2 G Ex ia IIC T6... T4 II 2 G Ex ia IIC T6... T4 Gb II 2(1) G Ex eb ia IIC T6... T4 II 2(1) G Ex e ia IIC T6... T4 Gb II 2 D Ex tb IIIC T85°C...T135°C II 2 D Ex tb IIIC T85°C...T135°C Db |
| IECEX certificate | IECEX IBE 13.0002X | | |
| IECEX marking | Ex e IIC T6...T4 Gb or Ex eb IIC T6...T4 Ex ia IIC T6...T4 Gb Ex e ia IIC T6...T4 Gb Ex tb IIIC T85°C...135°C Db or Ex tb IIIC T85°C...135°C | | |
| Note | If you have specific requirements for equipment operating in explosive hazard areas, please contact us at Weidmüller to receive a full copy of the certification. For details of power dissipation, please contact your Weidmüller representative. | | |



Height / Width / Depth 45 / 50 / 30 mm

Ordering data

| powder-coated (RAL 7001) | Order No. |
|---------------------------|------------|
| Standard (CR seal) | 9529090000 |
| Standard (silicone seal)* | 1937920000 |
| unpainted | Order No. |
| Standard (CR seal) | 0573200000 |
| Standard (silicone seal)* | 1939760000 |

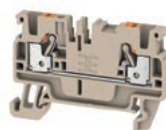
Note The colours of painted enclosures may vary under certain circumstances. *Delivery time on request

Accessories

| Torx® screw driver | Order No. |
|--------------------------------|------------|
| not insulated, Torx® TH20 | 9009160000 |
| Pressure compensation elements | Order No. |
| Polyamide 6, M12 | 1868570000 |
| Stainless steel 1.4305, M12 | 1868550000 |

Guide value for max. number of terminals (industry)

| Assembly with terminal | vertical | horizontal |
|------------------------|----------|------------|
| 2.5 mm ² | 1x1* | 1x1* |
| 4 mm ² | 1x1* | 1x1* |
| 6 mm ² | | |
| 10 mm ² | | |
| 16 mm ² | | |



Note *Please refer to the Terminal Block catalogue or the SAK Series for more information about assembling the enclosures with terminal blocks. There are no prescribed possible attachment points in the enclosure.

Guide value for max. number of cable entries

| Guide value for max. number of cable entries | A / B | C / D |
|--|-------|-------|
| M12 | 1 | 1 |
| M16 | 1 | 1 |
| M20 | | |
| M25 | | |
| M32 | | |
| M40 | | |
| M50 | | |
| M63 | | |

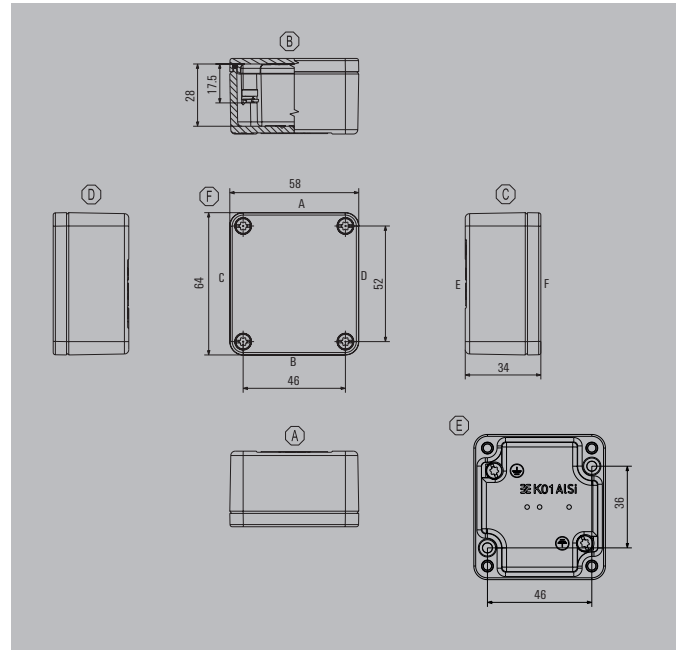


Note Our IP68 brass cable glands are used as the reference for these guideline values.

Note Helicoil for outdoor applications, available ex-works.

Klippon® K 01

Depth **34 mm**



Height / Width / Depth 64 / 58 / 34 mm

Ordering data

| powder-coated (RAL 7001) | Order No. |
|---------------------------|-------------------|
| Standard (CR seal) | 9529100000 |
| Standard (silicone seal)* | 1937850000 |
| unpainted | Order No. |
| Standard (CR seal) | 1565240000 |
| Standard (silicone seal)* | 1939540000 |

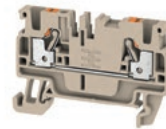
Note The colours of painted enclosures may vary under certain circumstances. *Delivery time on request

Accessories

| Torx® screw driver | Order No. |
|--------------------------------|-------------------|
| not insulated, Torx® TH20 | 9009160000 |
| Pressure compensation elements | Order No. |
| Polyamide 6, M12 | 1868570000 |
| Stainless steel 1.4305, M12 | 1868550000 |

Guide value for max. number of terminals (industry)

| Assembly with terminal | vertical | horizontal |
|------------------------|----------|------------|
| 2.5 mm ² | 1x1* | 1x1* |
| 4 mm ² | 1x1* | 1x1* |
| 6 mm ² | | |
| 10 mm ² | | |
| 16 mm ² | | |



Note *Please refer to the Terminal Block catalogue or the SAK Series for more information about assembling the enclosures with terminal blocks. There are no prescribed possible attachment points in the enclosure.

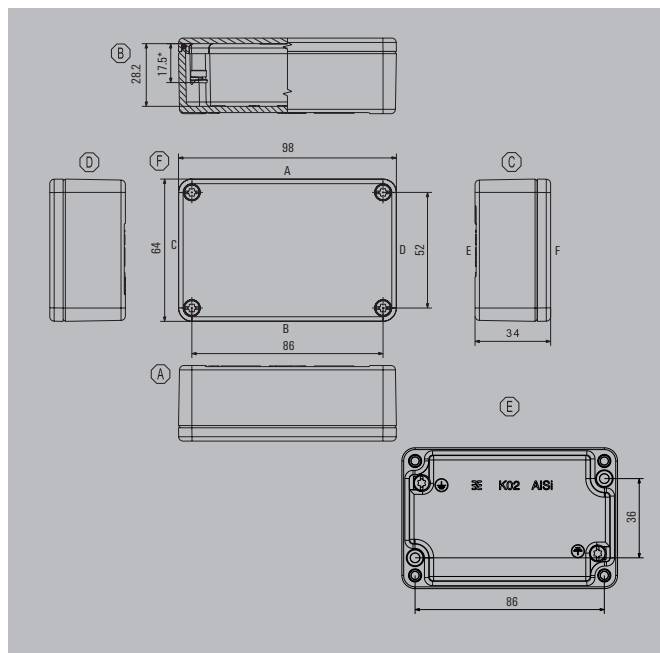
Guide value for max. number of cable entries

| Guide value for max. number of cable entries | A / B | C / D |
|--|-------|-------|
| M12 | 1 | 1 |
| M16 | 1 | 1 |
| M20 | | |
| M25 | | |
| M32 | | |
| M40 | | |
| M50 | | |
| M63 | | |



Note Our IP68 brass cable glands are used as the reference for these guideline values.

Note Helicoil for outdoor applications, available ex-works.



Height / Width / Depth 64 / 98 / 34 mm

Ordering data

| powder-coated (RAL 7001) | | Order No. |
|--------------------------|---|------------|
| | Standard (CR seal) | 9529110000 |
| | Standard (silicone seal)* | 1937840000 |
| unpainted | | |
| | Standard (CR seal) | 1565250000 |
| | Standard (silicone seal)* | 1939550000 |
| Note | The colours of painted enclosures may vary under certain circumstances. *Delivery time on request | |

Accessories

| Torx® screw driver | | Order No. |
|--------------------------------|-----------------------------|------------|
| | not insulated, Torx® TH20 | 9009160000 |
| Pressure compensation elements | | |
| | Polyamide 6, M12 | 1868570000 |
| | Stainless steel 1.4305, M12 | 1868550000 |

Guide value for max. number of terminals (industry)

| Assembly with terminal | vertical | horizontal |
|------------------------|---------------------|------------|
| | 2.5 mm ² | 1x1* |
| | 4 mm ² | 1x1* |
| | 6 mm ² | |
| | 10 mm ² | |
| | 16 mm ² | |



Note *Please refer to the Terminal Block catalogue or the SAK Series for more information about assembling the enclosures with terminal blocks. There are no prescribed possible attachment points in the enclosure.

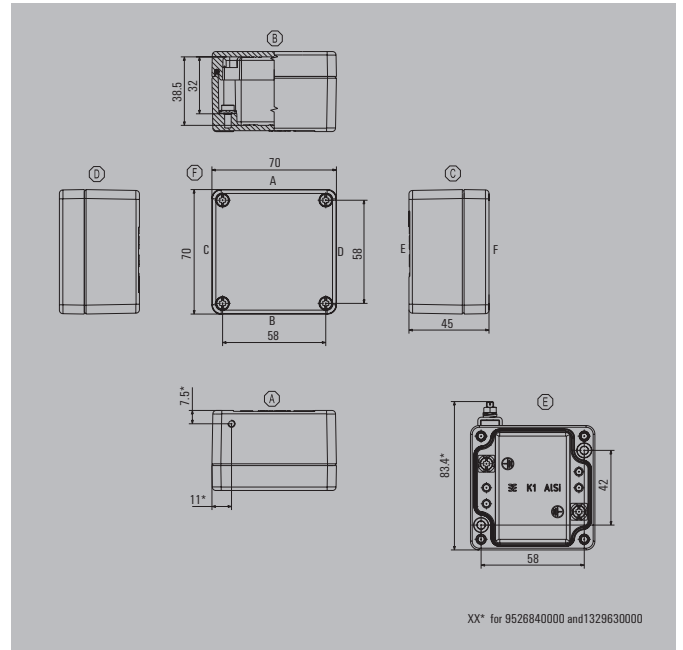
Guide value for max. number of cable entries

| Guide value for max. number of cable entries | A / B | C / D |
|--|-------|-------|
| M12 | 3 | 1 |
| M16 | 3 | 1 |
| M20 | 2 | |
| M25 | | |
| M32 | | |
| M40 | | |
| M50 | | |
| M63 | | |



Note Our IP68 brass cable glands are used as the reference for these guideline values.

Note Helicoil for outdoor applications, available ex-works.



Height / Width / Depth 70 / 70 / 45 mm

Ordering data

| powder-coated (RAL 7001) | Order No. |
|---------------------------|------------|
| Standard (CR seal) | 9529120000 |
| Standard (silicone seal)* | 1937630000 |
| unpainted | Order No. |
| Standard (CR seal) | 0342000000 |
| Standard (silicone seal)* | 1939560000 |

Note The colours of painted enclosures may vary under certain circumstances. Ex-enclosures are available on request. *Delivery time on request

Accessories

| Terminal rail, Set | Order No. |
|--------------------------------|------------|
| 15 mm width | 1909980000 |
| Mounting plate | Order No. |
| Steel sheet, zinc plated | 1905280000 |
| Torx® screw driver | Order No. |
| not insulated, Torx® TH20 | 9009160000 |
| Earthing stud | Order No. |
| Brass, M6 | 1277250000 |
| Stainless steel 1.4404, M6 | 1283430000 |
| Pressure compensation elements | Order No. |
| Polyamide 6, M12 | 1868570000 |
| Stainless steel 1.4305, M12 | 1868550000 |

Guide value for max. number of terminals (industry)

| Assembly with terminal | vertical | horizontal |
|------------------------|----------|------------|
| 2.5 mm ² | 1x1* | 1x5 |
| 4 mm ² | 1x1* | 1x1* |
| 6 mm ² | | |
| 10 mm ² | | |
| 16 mm ² | | |



Note *Please refer to the Terminal Block Catalogue or the SAK Series for more information about populating the enclosures with terminal blocks. For vertical installations, we recommend using not more than one BK 4 or BK 4 CRN (0625120000). For horizontal installations with 2.5mm² 1x5 AKZ terminal blocks (only possible on a TS 15) for 4mm², use not more than one BK 4. There are no pre-defined mounting points set within this enclosure for installing internal equipment in a vertical position.

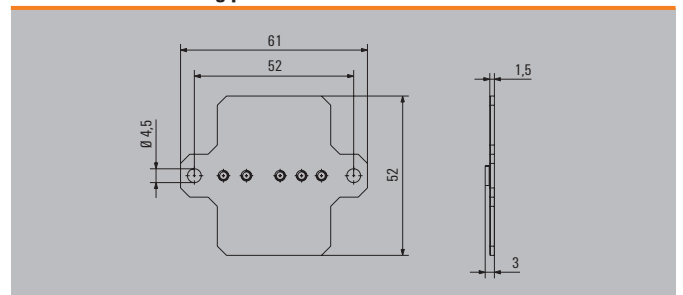
Guide value for max. number of cable entries

| Guide value for max. number of cable entries | A / B | C / D |
|--|-------|-------|
| M12 | 2 | 1 |
| M16 | 2 | 1 |
| M20 | 1 | |
| M25 | | |
| M32 | | |
| M40 | | |
| M50 | | |
| M63 | | |

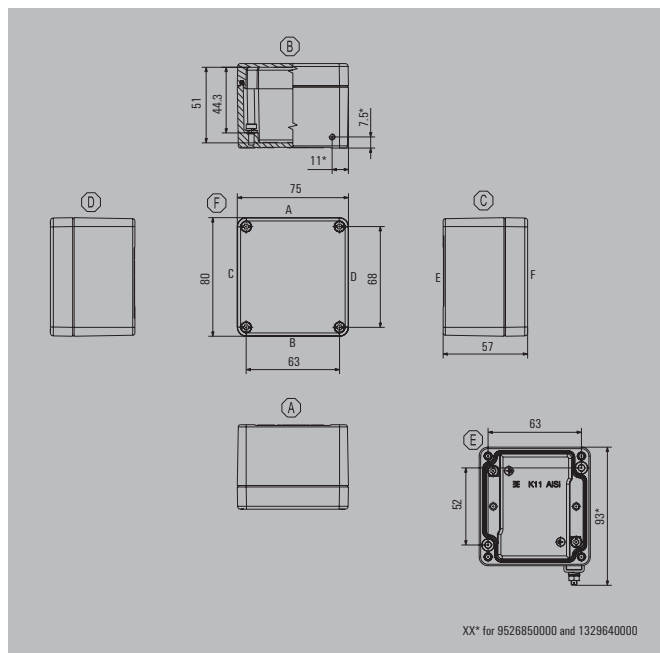


Note Our IP68 brass cable glands are used as the reference for these guideline values.

Dimensions of mounting plate



Note The accessory sets contain the necessary mounting materials. Helicoil for outdoor applications, available ex-works.



XX* for 9526850000 and 1329640000

| | |
|------------------------|-----------------|
| Height / Width / Depth | 80 / 75 / 57 mm |
|------------------------|-----------------|

Ordering data

| powder-coated (RAL 7001) | Order No. |
|---------------------------|------------|
| Standard (CR seal) | 9529130000 |
| Standard (silicone seal)* | 1937910000 |
| unpainted | Order No. |
| Standard (CR seal) | 0573300000 |
| Standard (silicone seal)* | 1939570000 |

Note The colours of painted enclosures may vary under certain circumstances. Ex-enclosures are available on request. *Delivery time on request

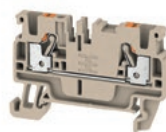
Accessories

| | |
|---------------------------------------|------------|
| Terminal rail, Set | Order No. |
| 15 mm width | 1909990000 |
| Mounting plate | Order No. |
| Steel sheet, zinc plated | 3073000000 |
| Hinge, diecast zinc, Set | 1580360000 |
| Torx®screw driver | Order No. |
| not insulated, Torx® TH20 | 9009160000 |
| Earthing stud | Order No. |
| Brass, M6 | 1277250000 |
| Stainless steel 1.4404, M6 | 1283430000 |
| Pressure compensation elements | Order No. |
| Polyamide 6, M12 | 1868570000 |
| Stainless steel 1.4305, M12 | 1868550000 |

Note The accessory sets contain the necessary mounting materials. Necessary on use of 1 hinge per longitudinal side. Helicoil for outdoor applications, available ex-works.

Guide value for max. number of terminals (industry)

| Assembly with terminal | vertical | horizontal |
|------------------------|----------|------------|
| 2.5 mm ² | 1x1* | 1x5 |
| 4 mm ² | 1x1* | 1x4 |
| 6 mm ² | | |
| 10 mm ² | | |
| 16 mm ² | | |



Note *Please refer to the Terminal Block Catalogue or the SAK Series for more information about populating the enclosures with terminal blocks. We recommend at most one BK 6 or BK 6 CRN (0625220000) in vertical installations. There are no pre-defined mounting points set within this enclosure for installing internal equipment in a vertical position.

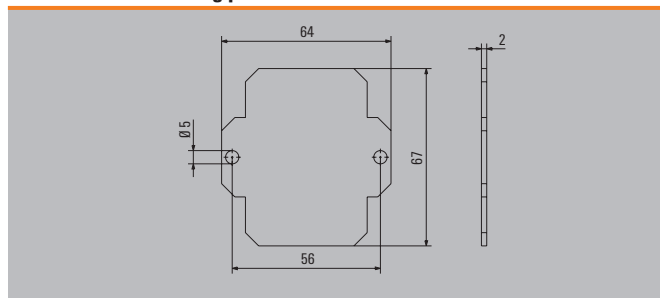
Guide value for max. number of cable entries

| Guide value for max. number of cable entries | A / B | C / D |
|--|-------|-------|
| M12 | 2 | 2 |
| M16 | 2 | 2 |
| M20 | 1 | 1 |
| M25 | 1 | |
| M32 | | |
| M40 | | |
| M50 | | |
| M63 | | |



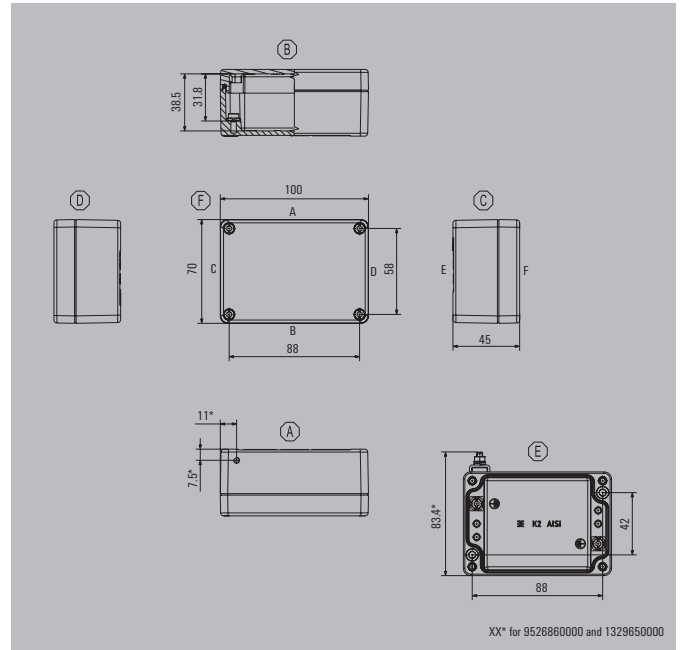
Note Our IP68 brass cable glands are used as the reference for these guideline values.

Dimensions of mounting plate



Klippon® K 2

Depth 45 mm



Height / Width / Depth 70 / 100 / 45 mm

Ordering data

| powder-coated (RAL 7001) | Standard (CR seal) | Order No. |
|--------------------------|---------------------------|------------|
| | Standard (silicone seal)* | 1937930000 |
| unpainted | Standard (CR seal) | 0342100000 |
| | Standard (silicone seal)* | 1939580000 |

Note The colours of painted enclosures may vary under certain circumstances. Ex-enclosures are available on request. *Delivery time on request

Accessories

| Terminal rail, Set | 15 mm width | Order No. |
|--------------------------------|-----------------------------|------------|
| | Steel sheet, zinc plated | 1905270000 |
| Torx® screw driver | not insulated, Torx® TH20 | 9009160000 |
| Earthing stud | Brass, M6 | 1277250000 |
| | Stainless steel 1.4404, M6 | 1283430000 |
| Pressure compensation elements | Polyamide 6, M12 | 1868570000 |
| | Stainless steel 1.4305, M12 | 1868550000 |

Guide value for max. number of terminals (industry)

| Assembly with terminal | vertical | horizontal |
|------------------------|---------------------|------------|
| | 2.5 mm ² | * |
| | 4 mm ² | * |
| | 6 mm ² | |
| | 10 mm ² | |
| | 16 mm ² | |

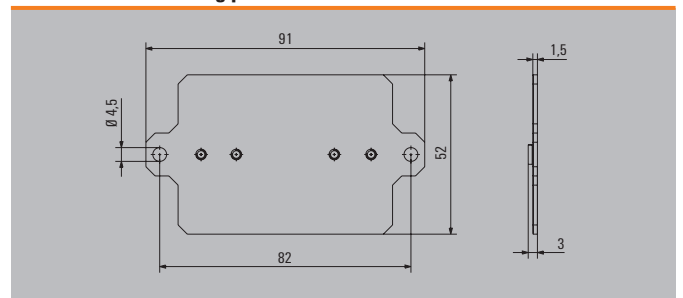
Note *Please refer to the Terminal Block Catalogue or the SAK Series for more information about populating the enclosures with terminal blocks. We recommend at most one BK 6 or BK 6 CRN (0625220000) for vertical installations. There are no pre-defined mounting points set within this enclosure for installing internal equipment in a vertical position.

Guide value for max. number of cable entries

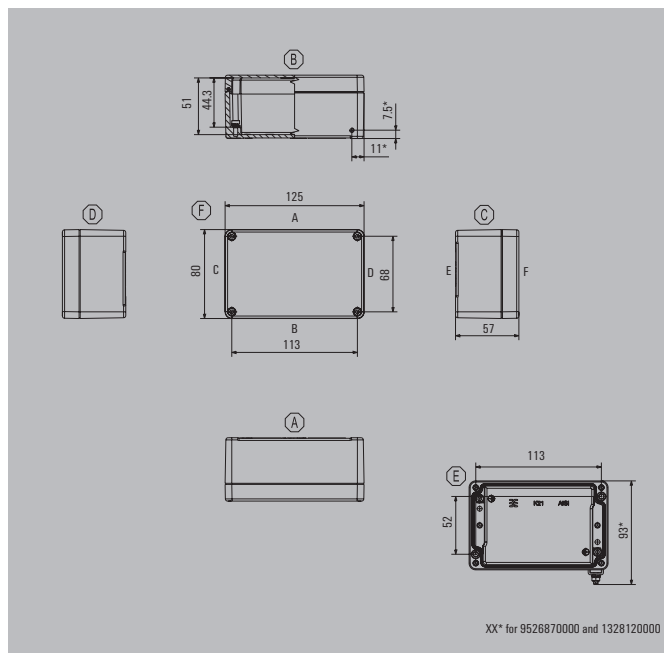
| Guide value for max. number of cable entries | A / B | C / D |
|--|-------|-------|
| M12 | 3 | 1 |
| M16 | 3 | 1 |
| M20 | 2 | |
| M25 | | |
| M32 | | |
| M40 | | |
| M50 | | |
| M63 | | |

Note Our IP68 brass cable glands are used as the reference for these guideline values.

Dimensions of mounting plate



Note The accessory sets contain the necessary mounting materials. Helicoil for outdoor applications, available ex-works.



Height / Width / Depth 80 / 125 / 57 mm

Ordering data

| powder-coated (RAL 7001) | Order No. |
|---------------------------|------------|
| Standard (CR seal) | 9529150000 |
| Standard (silicone seal)* | 1937830000 |
| unpainted | Order No. |
| Standard (CR seal) | 0573400000 |
| Standard (silicone seal)* | 1939590000 |

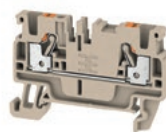
Note The colours of painted enclosures may vary under certain circumstances. Ex-enclosures are available on request. *Delivery time on request

Accessories

| | |
|---------------------------------------|------------|
| Terminal rail, Set | Order No. |
| 15 mm width | 1910020000 |
| Mounting plate | |
| Steel sheet, zinc plated | 3073020000 |
| Hinge, diecast zinc, Set | 1580360000 |
| Torx®screw driver | |
| not insulated, Torx® TH20 | 9009160000 |
| Earthing stud | |
| Brass, M6 | 1277250000 |
| Stainless steel 1.4404, M6 | 1283430000 |
| Pressure compensation elements | |
| Stainless steel 1.4305, M12 | 1868550000 |
| Polyamide 6, M12 | 1868570000 |

Guide value for max. number of terminals (industry)

| Assembly with terminal | vertical | horizontal |
|------------------------|----------|------------|
| 2.5 mm ² | * | 1x15 |
| 4 mm ² | * | 1x12 |
| 6 mm ² | | |
| 10 mm ² | | |
| 16 mm ² | | |



Note *Please refer to the Terminal Block Catalogue or the SAK Series for more information about populating the enclosures with terminal blocks. We recommend BK 6 or BK 6 CRN (0625220000) for vertical installations. There are no pre-defined mounting points set within this enclosure for installing internal equipment in a vertical position.

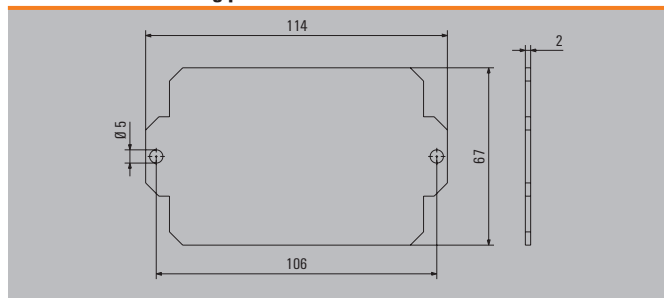
Guide value for max. number of cable entries

| Guide value for max. number of cable entries | A / B | C / D |
|--|-------|-------|
| M12 | 6 | 2 |
| M16 | 4 | 2 |
| M20 | 3 | 1 |
| M25 | 2 | |
| M32 | | |
| M40 | | |
| M50 | | |
| M63 | | |

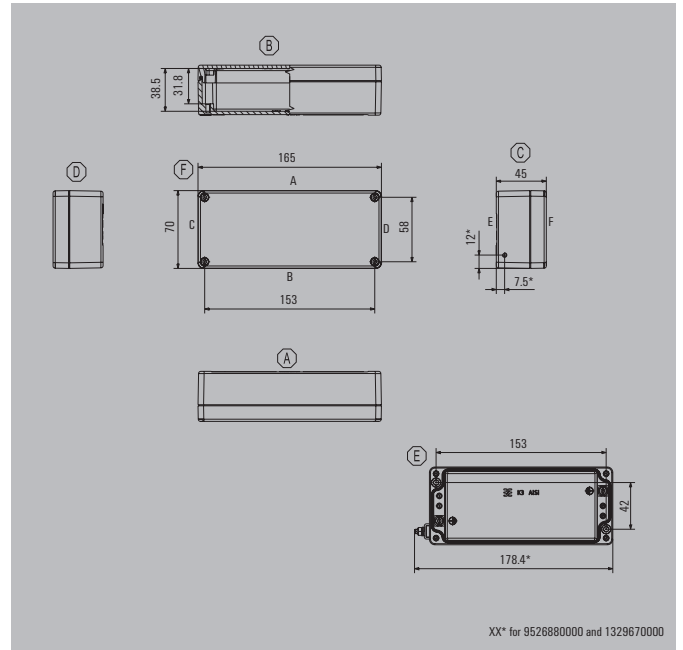


Note Our IP68 brass cable glands are used as the reference for these guideline values.

Dimensions of mounting plate



Note The accessory sets contain the necessary mounting materials. Necessary on use of 1 hinge per longitudinal side. Helicoil for outdoor applications, available ex-works.



Height / Width / Depth 70 / 165 / 45 mm

Ordering data

| powder-coated (RAL 7001) | Order No. |
|---------------------------|------------|
| Standard (CR seal) | 9529160000 |
| Standard (silicone seal)* | 1937900000 |
| unpainted | Order No. |
| Standard (CR seal) | 0342200000 |
| Standard (silicone seal)* | 1939600000 |

Note The colours of painted enclosures may vary under certain circumstances. Ex-enclosures are available on request. *Delivery time on request

Accessories

| | |
|---------------------------------------|------------|
| Terminal rail, Set | Order No. |
| 15 mm width | 1910030000 |
| Mounting plate | Order No. |
| Steel sheet, zinc plated | 1898210000 |
| Torx® screw driver | Order No. |
| not insulated, Torx® TH20 | 9009160000 |
| Earthing stud | Order No. |
| Brass, M6 | 1277250000 |
| Stainless steel 1.4404, M6 | 1283430000 |
| Pressure compensation elements | Order No. |
| Stainless steel 1.4305, M12 | 1868550000 |
| Polyamide 6, M12 | 1868570000 |

Guide value for max. number of terminals (industry)

| Assembly with terminal | vertical | horizontal |
|------------------------|----------|------------|
| 2.5 mm ² | * | 1x22 |
| 4 mm ² | * | |
| 6 mm ² | | |
| 10 mm ² | | |
| 16 mm ² | | |



Note *Please refer to the Terminal Block Catalogue or the SAK Series for more information about populating the enclosures with terminal blocks. We recommend BK 6 or BK 6 CRN (0625220000) for vertical installations. There are no pre-defined mounting points set within this enclosure for installing internal equipment in a vertical position.

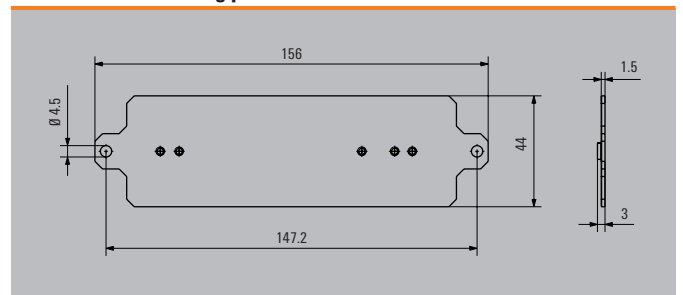
Guide value for max. number of cable entries

| Guide value for max. number of cable entries | A / B | C / D |
|--|-------|-------|
| M12 | 6 | 1 |
| M16 | 5 | 1 |
| M20 | 4 | |
| M25 | | |
| M32 | | |
| M40 | | |
| M50 | | |
| M63 | | |

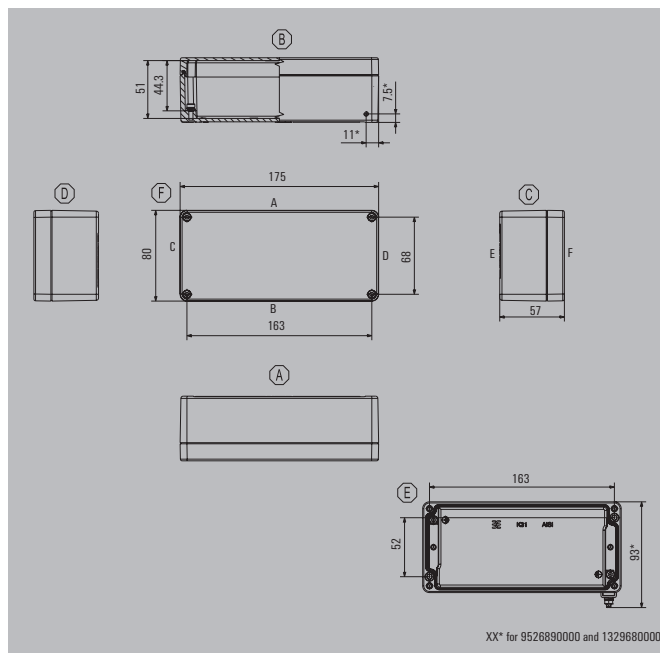


Note Our IP68 brass cable glands are used as the reference for these guideline values.

Dimensions of mounting plate



Note The accessory sets contain the necessary mounting materials. Helicoil for outdoor applications, available ex-works.



Height / Width / Depth 80 / 175 / 57 mm

Ordering data

| powder-coated (RAL 7001) | | Order No. |
|--------------------------|---------------------------|------------|
| | Standard (CR seal) | 9529170000 |
| | Standard (silicone seal)* | 1937820000 |
| unpainted | | |
| | Standard (CR seal) | 0573500000 |
| | Standard (silicone seal)* | 1939610000 |

Note The colours of painted enclosures may vary under certain circumstances. Ex-enclosures are available on request. *Delivery time on request

Accessories

| Terminal rail, Set | | Order No. |
|--------------------------------|-----------------------------|------------|
| | 15 mm width | 1910040000 |
| Mounting plate | | |
| | Steel sheet, zinc plated | 3073040000 |
| Hinge, diecast zinc, Set | | 1580360000 |
| Torx®screw driver | | |
| | not insulated, Torx® TH20 | 9009160000 |
| Earthing stud | | |
| | Brass, M6 | 1277250000 |
| | Stainless steel 1.4404, M6 | 1283430000 |
| Pressure compensation elements | | |
| | Stainless steel 1.4305, M12 | 1868550000 |
| | Polyamide 6, M12 | 1868570000 |

Guide value for max. number of terminals (industry)

| Assembly with terminal | vertical | horizontal |
|------------------------|---------------------|------------|
| | 2.5 mm ² | * 1x23 |
| | 4 mm ² | * 1x19 |
| | 6 mm ² | |
| | 10 mm ² | |
| | 16 mm ² | |



Note *Please refer to the Terminal Block Catalogue or the SAK Series for more information about populating the enclosures with terminal blocks. We recommend BK 6 or BK 6 CRN (0625220000) for vertical installations. There are no pre-defined mounting points set within this enclosure for installing internal equipment in a vertical position.

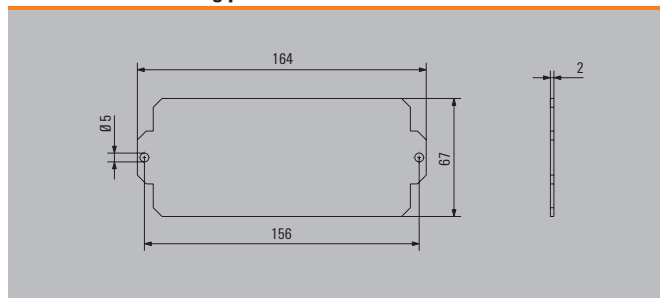
Guide value for max. number of cable entries

| Guide value for max. number of cable entries | A / B | C / D |
|--|-------|-------|
| | M12 | 9 |
| | M16 | 6 |
| | M20 | 4 |
| | M25 | 3 |
| | M32 | |
| | M40 | |
| | M50 | |
| | M63 | |



Note Our IP68 brass cable glands are used as the reference for these guideline values.

Dimensions of mounting plate



Note The accessory sets contain the necessary mounting materials. Necessary on use of 1 hinge per longitudinal side. Helicoil for outdoor applications, available ex-works.



Height / Width / Depth 80 / 250 / 55 mm

Ordering data

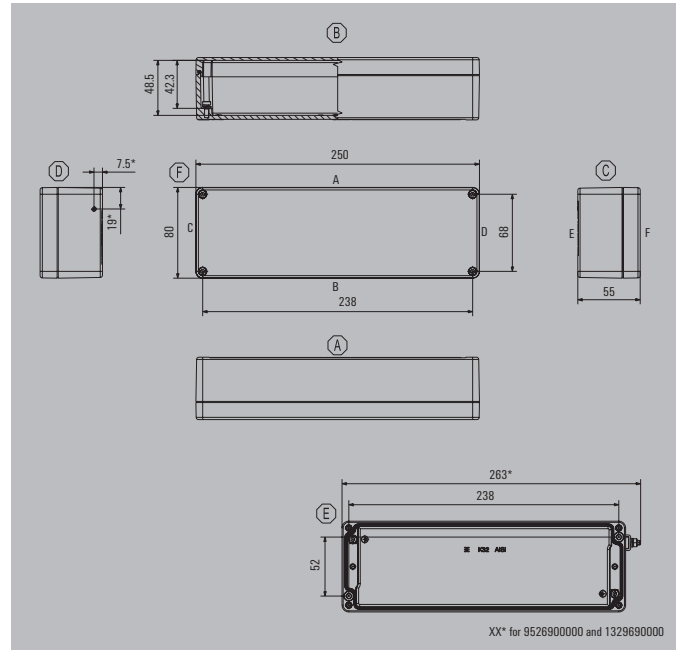
| powder-coated (RAL 7001) | | Order No. |
|--------------------------|---------------------------|------------|
| | Standard (CR seal) | 9529180000 |
| | Standard (silicone seal)* | 1937810000 |
| unpainted | | |
| | Standard (CR seal) | 1565260000 |
| | Standard (silicone seal)* | 1939620000 |

Note The colours of painted enclosures may vary under certain circumstances. Ex-enclosures are available on request. *Delivery time on request

Accessories

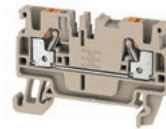
| Mounting plate | | Order No. |
|--------------------------------|-----------------------------|------------|
| | Steel sheet, zinc plated | 3073050000 |
| Torx® screw driver | | |
| | not insulated, Torx® TH20 | 9009160000 |
| Earthing stud | | |
| | Brass, M6 | 1277250000 |
| | Stainless steel 1.4404, M6 | 1283430000 |
| Pressure compensation elements | | |
| | Stainless steel 1.4305, M12 | 1868550000 |
| | Polyamide 6, M12 | 1868570000 |

Note The accessory sets contain the necessary mounting materials. Helicoil for outdoor applications, available ex-works.



Guide value for max. number of terminals (industry)

| Assembly with terminal | vertical | horizontal |
|------------------------|---------------------|------------|
| | 2.5 mm ² | * 1x38 |
| | 4 mm ² | * 1x32 |
| | 6 mm ² | |
| | 10 mm ² | |
| | 16 mm ² | |



Note *Please refer to the Terminal Block Catalogue or the SAK Series for more information about populating the enclosures with terminal blocks. We recommend BK 6 or BK 6 CRN (0625220000) for vertical installations. There are no pre-defined mounting points set within this enclosure for installing internal equipment in a vertical position.

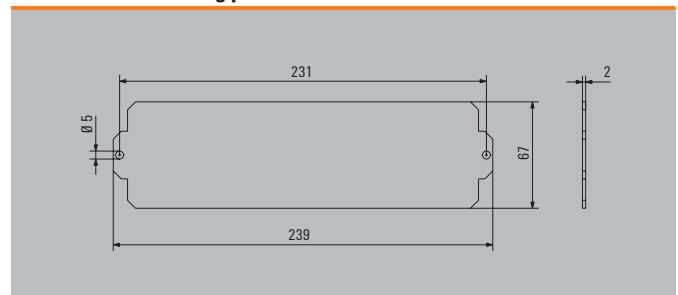
Guide value for max. number of cable entries

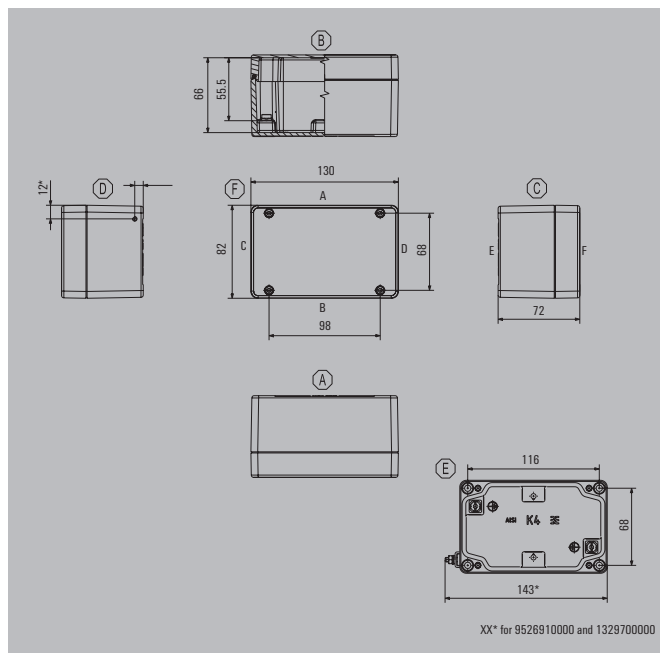
| Guide value for max. number of cable entries | A / B | C / D |
|--|-------|-------|
| M12 | 15 | 2 |
| M16 | 9 | 2 |
| M20 | 7 | 1 |
| M25 | 6 | |
| M32 | | |
| M40 | | |
| M50 | | |
| M63 | | |



Note Our IP68 brass cable glands are used as the reference for these guideline values.

Dimensions of mounting plate





Height / Width / Depth 82 / 130 / 72 mm

Ordering data

| powder-coated (RAL 7001) | Order No. |
|---------------------------|------------|
| Standard (CR seal) | 9529190000 |
| Standard (silicone seal)* | 1937890000 |
| unpainted | Order No. |
| Standard (CR seal) | 0342300000 |
| Standard (silicone seal)* | 1939630000 |

Note The colours of painted enclosures may vary under certain circumstances. Ex-enclosures are available on request. *Delivery time on request

Accessories

| | |
|---------------------------------------|------------|
| Terminal rail, Set | Order No. |
| 35 mm width | 1910060000 |
| Mounting plate | Order No. |
| Steel sheet, zinc plated | 3073060000 |
| Hinge, diecast zinc, Set | 1580360000 |
| Torx® screw driver | Order No. |
| not insulated, Torx® TH20 | 9009160000 |
| Earthing stud | Order No. |
| Brass, M6 | 1277250000 |
| Stainless steel 1.4404, M6 | 1283430000 |
| Brass, M10 | 1277220000 |
| Stainless steel 1.4404, M10 | 1283440000 |
| Pressure compensation elements | Order No. |
| Stainless steel 1.4305, M12 | 1868550000 |
| Polyamide 6, M12 | 1868570000 |

Note Sets also contain the mounting material, if necessary. 1 hinge per longitudinal side. Helicoil for outdoor applications, available ex-works.

Guide value for max. number of terminals (industry)

| Assembly with terminal | vertical | horizontal |
|------------------------|----------|------------|
| 2.5 mm ² | 1x5 | * |
| 4 mm ² | 1x4 | * |
| 6 mm ² | 1x3 | |
| 10 mm ² | 1x2 | |
| 16 mm ² | | |

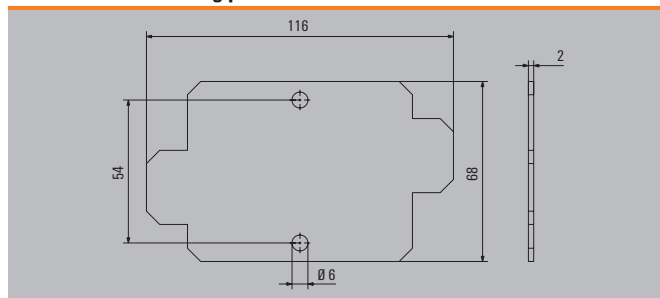
Note The mounting rails are designed to be installed directly. Assembly with terminals provides for 10 mm clearance to the ends of the mounting rail. Ordering recommendations: TS 35 mounting rail (screw-type terminals) WDU 2.5 1020000000 / (tension clamp terminals) ZDU 2.5 1608510000 *For fitting the enclosures with terminal blocks, please refer to the Terminal block catalogue or the SAK series. We recommend BK 6 or BK 6 CRN (0825220000) for horizontal installations. There are no pre-defined mounting points set within this enclosure for installing internal equipment in a horizontal position.

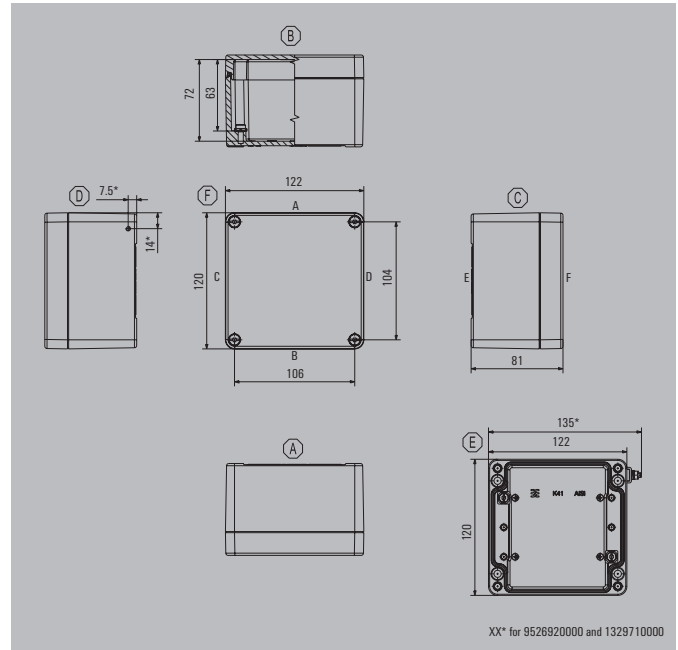
Guide value for max. number of cable entries

| Guide value for max. number of cable entries | A / B | C / D |
|--|-------|-------|
| M12 | 5 | 2 |
| M16 | 3 | 2 |
| M20 | 2 | 1 |
| M25 | 2 | 1 |
| M32 | | 1 |
| M40 | | |
| M50 | | |
| M63 | | |

Note Our IP68 brass cable glands are used as the reference for these guideline values.

Dimensions of mounting plate





Height / Width / Depth 120 / 122 / 81 mm

Ordering data

| powder-coated (RAL 7001) | Order No. |
|---------------------------|------------|
| Standard (CR seal) | 9529200000 |
| Standard (silicone seal)* | 1937800000 |
| unpainted | Order No. |
| Standard (CR seal) | 1565270000 |
| Standard (silicone seal)* | 1939640000 |

Note The colours of painted enclosures may vary under certain circumstances. Ex-enclosures are available on request. *Delivery time on request

Accessories

| | |
|---|------------|
| Terminal rail, Set | Order No. |
| 35 mm width | 1910070000 |
| Mounting plate | Order No. |
| Steel sheet, zinc plated | 3073070000 |
| Hinge, diecast zinc, Set | 1580360000 |
| External mounting feet, set of 4 | Order No. |
| Stainless steel 1.4301 natural | 9527590000 |
| Torx® screw driver | Order No. |
| not insulated, Torx® TH20 | 9009160000 |
| Earthing stud | Order No. |
| Brass, M6 | 1277250000 |
| Stainless steel 1.4404, M6 | 1283430000 |
| Brass, M10 | 1277220000 |
| Stainless steel 1.4404, M10 | 1283440000 |
| Pressure compensation elements | Order No. |
| Stainless steel 1.4305, M12 | 1868550000 |
| Polyamide 6, M12 | 1868570000 |

Guide value for max. number of terminals (industry)

| Assembly with terminal | vertical | horizontal |
|------------------------|----------|------------|
| 2.5 mm ² | * | 1x13 |
| 4 mm ² | * | 1x11 |
| 6 mm ² | | 1x8 |
| 10 mm ² | | 1x6 |
| 16 mm ² | | |

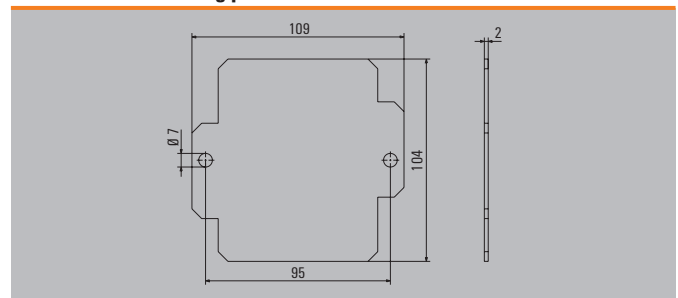
Note *Please refer to the Terminal Block Catalogue or the SAK Series for more information about populating the enclosures with terminal blocks. We recommend BK 6 or BK 6 CRN (0625220000) for vertical installations. There are no specified mounting options available for mounting the enclosure in a vertical position. There are no pre-defined mounting points set within this enclosure for installing internal equipment in a vertical position.

Guide value for max. number of cable entries

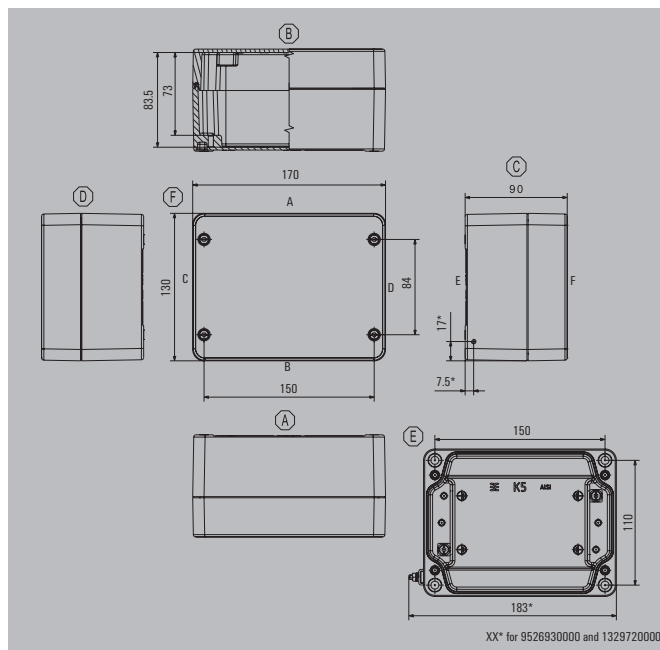
| Guide value for max. number of cable entries | A / B | C / D |
|--|-------|-------|
| M12 | 6 | 4 |
| M16 | 6 | 4 |
| M20 | 3 | 2 |
| M25 | 2 | 1 |
| M32 | 1 | 1 |
| M40 | | |
| M50 | | |
| M63 | | |

Note Our IP68 brass cable glands are used as the reference for these guideline values.

Dimensions of mounting plate



Note The accessory sets contain the necessary mounting materials. Necessary on use of 1 hinge per longitudinal side. Helicoil for outdoor applications, available ex-works.



Height / Width / Depth 130 / 170 / 90 mm

Ordering data

| powder-coated (RAL 7001) | Order No. |
|---------------------------|------------|
| Standard (CR seal) | 9529210000 |
| Standard (silicone seal)* | 1937860000 |
| unpainted | Order No. |
| Standard (CR seal) | 0342400000 |
| Standard (silicone seal)* | 1939650000 |

Note The colours of painted enclosures may vary under certain circumstances. Ex-enclosures are available on request. *Delivery time on request

Accessories

| Terminal rail, Set | Order No. |
|----------------------------------|------------|
| 35 mm width | 1910080000 |
| Mounting plate | Order No. |
| Steel sheet, zinc plated | 3073080000 |
| Hinge, diecast zinc, Set | Order No. |
| | 1580360000 |
| External mounting feet, set of 4 | Order No. |
| Stainless steel 1.4301 natural | 9529080000 |
| Torx® screw driver | Order No. |
| not insulated, Torx® TH20 | 9009160000 |
| Earthing stud | Order No. |
| Brass, M6 | 1277250000 |
| Stainless steel 1.4404, M6 | 1283430000 |
| Brass, M10 | 1277220000 |
| Stainless steel 1.4404, M10 | 1283440000 |
| Pressure compensation elements | Order No. |
| Stainless steel 1.4305, M12 | 1868550000 |
| Polyamide 6, M12 | 1868570000 |

Note The accessory sets contain the necessary mounting materials. Necessary on use of 1 hinge per longitudinal side. Helicoil for outdoor applications, available ex-works.

Guide value for max. number of terminals (industry)

| Assembly with terminal | vertical | horizontal |
|------------------------|----------|------------|
| 2.5 mm ² | * | 1x20 |
| 4 mm ² | * | 1x17 |
| 6 mm ² | | 1x12 |
| 10 mm ² | | 1x10 |
| 16 mm ² | | 1x8 |

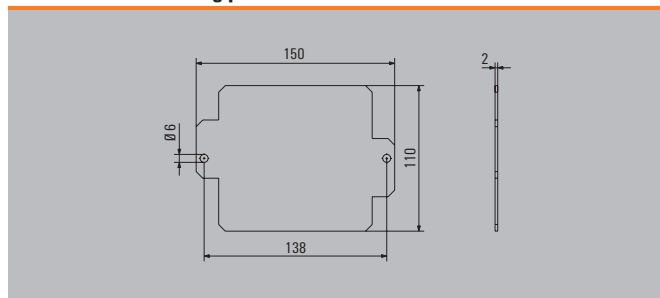
Note The mounting rails are designed to be installed directly. Assembly with terminals provides for 10 mm clearance to the ends of the mounting rail. Order recommendations: TS 35 mounting rail with WDU clamping yoke technology, ZDU spring-cage terminal block or A2C PUSH IN technology. Ordering information for the terminal blocks, please refer to the online catalogue. *For fitting the enclosures with terminal blocks, please refer to the Terminal block catalogue or the SAK series. We recommend BK 6 or BK 6 CRN (0625220000) for vertical installations. There are no specified mounting options available for mounting the enclosure in a vertical position. There are no pre-defined mounting points set within this enclosure for installing internal equipment in a vertical position.

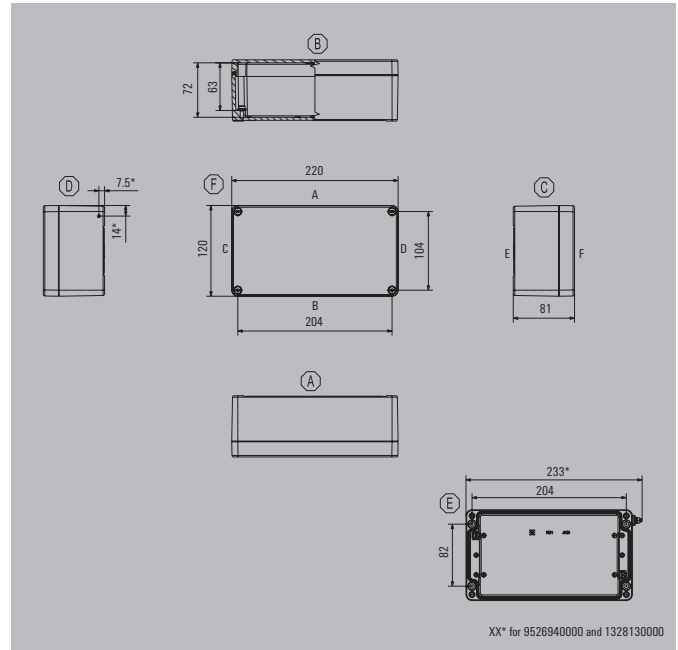
Guide value for max. number of cable entries

| Guide value for max. number of cable entries | A / B | C / D |
|--|-------|-------|
| M12 | 11 | 4 |
| M16 | 8 | 2 |
| M20 | 4 | 1 |
| M25 | 3 | 1 |
| M32 | 2 | 1 |
| M40 | | |
| M50 | | |
| M63 | | |

Note Our IP68 brass cable glands are used as the reference for these guideline values.

Dimensions of mounting plate





Height / Width / Depth 120 / 220 / 81 mm

Ordering data

| powder-coated (RAL 7001) | Order No. |
|---------------------------|------------|
| Standard (CR seal) | 9529220000 |
| Standard (silicone seal)* | 1937750000 |
| unpainted | Order No. |
| Standard (CR seal) | 1565280000 |
| Standard (silicone seal)* | 1939660000 |

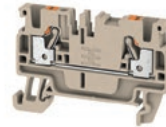
Note The colours of painted enclosures may vary under certain circumstances. Ex-enclosures are available on request. *Delivery time on request

Accessories

| | |
|---|------------|
| Terminal rail, Set | Order No. |
| 35 mm width | 1910090000 |
| Mounting plate | Order No. |
| Steel sheet, zinc plated | 3073090000 |
| Hinge, diecast zinc, Set | 1580360000 |
| External mounting feet, set of 4 | Order No. |
| Stainless steel 1.4301 natural | 9527590000 |
| Torx® screw driver | Order No. |
| not insulated, Torx® TH20 | 9009160000 |
| Earthing stud | Order No. |
| Brass, M6 | 1277250000 |
| Stainless steel 1.4404, M6 | 1283430000 |
| Brass, M10 | 1277220000 |
| Stainless steel 1.4404, M10 | 1283440000 |
| Pressure compensation elements | Order No. |
| Stainless steel 1.4305, M12 | 1868550000 |
| Polyamide 6, M12 | 1868570000 |

Guide value for max. number of terminals (industry)

| Assembly with terminal | vertical | horizontal |
|------------------------|----------|------------|
| 2.5 mm ² | * | 1x31 |
| 4 mm ² | * | 1x26 |
| 6 mm ² | | 1x19 |
| 10 mm ² | | 1x16 |
| 16 mm ² | | |



Note The mounting rails are designed to be installed directly. Assembly with terminals provides for 10 mm clearance to the ends of the mounting rail. Order recommendations: TS 35 mounting rail with WDU clamping yoke technology, ZDU spring-cage terminal block or A2C PUSH IN technology. Ordering information for the terminal blocks, please refer to the online catalogue. *For fitting the enclosures with terminal blocks, please refer to the Terminal block catalogue or the SAK series. We recommend BK 6 or BK 6 CRN (0625220000) for vertical installations. There are no specified mounting options available for mounting the enclosure in a vertical position. There are no pre-defined mounting points set within this enclosure for installing internal equipment in a vertical position.

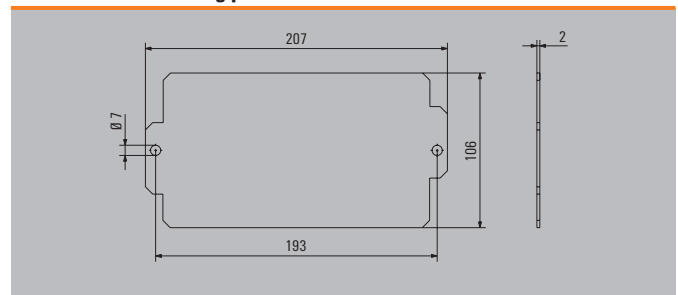
Guide value for max. number of cable entries

| Guide value for max. number of cable entries | A / B | C / D |
|--|-------|-------|
| M12 | 23 | 6 |
| M16 | 14 | 3 |
| M20 | 8 | 2 |
| M25 | 5 | 1 |
| M32 | 3 | 1 |
| M40 | 3 | |
| M50 | | |
| M63 | | |

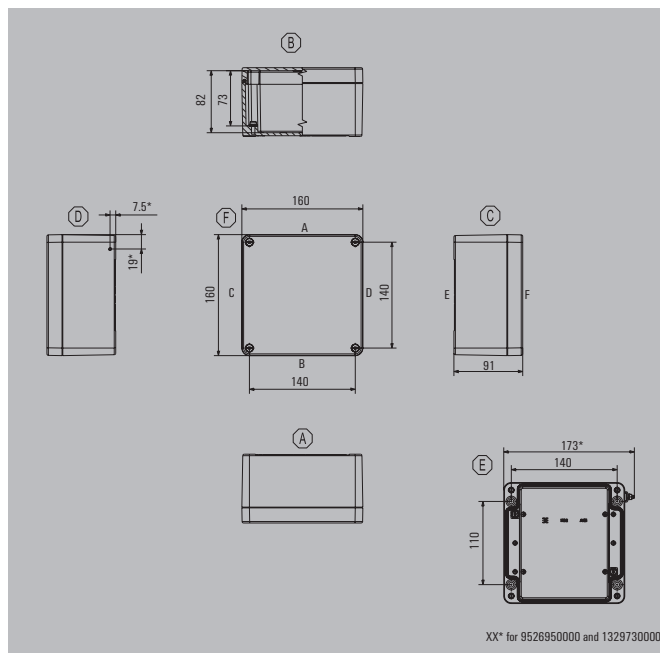


Note Our IP68 brass cable glands are used as the reference for these guideline values.

Dimensions of mounting plate



Note The accessory sets contain the necessary mounting materials. Necessary on use of 2 hinges per longitudinal side. Helicoil for outdoor applications, available ex-works.



Height / Width / Depth 160 / 160 / 91 mm

Ordering data

| powder-coated (RAL 7001) | Order No. |
|---------------------------|------------|
| Standard (CR seal) | 9529230000 |
| Standard (silicone seal)* | 1937740000 |
| unpainted | Order No. |
| Standard (CR seal) | 1565290000 |
| Standard (silicone seal)* | 1939670000 |

Note The colours of painted enclosures may vary under certain circumstances. Ex-enclosures are available on request. *Delivery time on request

Accessories

| | |
|---|------------|
| Terminal rail, Set | Order No. |
| 35 mm width | 1910100000 |
| Mounting plate | Order No. |
| Steel sheet, zinc plated | 3073100000 |
| Hinge, diecast zinc, Set | Order No. |
| | 1580360000 |
| External mounting feet, set of 4 | Order No. |
| Stainless steel 1.4301 natural | 9527590000 |
| Torx®screw driver | Order No. |
| not insulated, Torx® TH20 | 9009160000 |
| Earthing stud | Order No. |
| Brass, M6 | 1277250000 |
| Stainless steel 1.4404, M6 | 1283430000 |
| Brass, M10 | 1277220000 |
| Stainless steel 1.4404, M10 | 1283440000 |
| Pressure compensation elements | Order No. |
| Stainless steel 1.4305, M12 | 1868550000 |
| Polyamide 6, M12 | 1868570000 |

Guide value for max. number of terminals (industry)

| Assembly with terminal | vertical | horizontal |
|------------------------|----------|------------|
| 2.5 mm ² | * | 1x16 |
| 4 mm ² | * | 1x13 |
| 6 mm ² | | 1x10 |
| 10 mm ² | | 1x8 |
| 16 mm ² | | 1x6 |

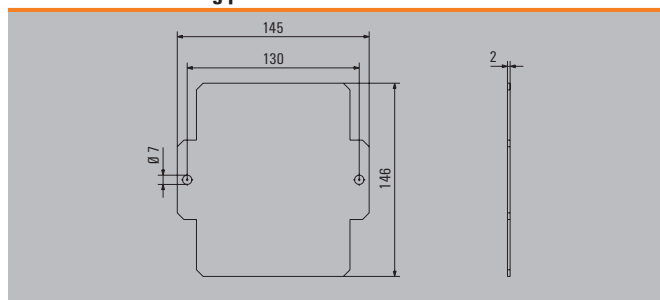
Note The mounting rails are designed to be installed directly. Assembly with terminals provides for 10 mm clearance to the ends of the mounting rail. Order recommendations: TS 35 mounting rail with WDU clamping yoke technology, ZDU spring-cage terminal block or A2C PUSH IN technology. Ordering information for the terminal blocks, please refer to the online catalogue. *For fitting the enclosures with terminal blocks, please refer to the Terminal block catalogue or the SAK series. We recommend BK 6 or BK 6 CRN (0625220000) for vertical installations. There are no specified mounting options available for mounting the enclosure in a vertical position. There are no pre-defined mounting points set within this enclosure for installing internal equipment in a vertical position.

Guide value for max. number of cable entries

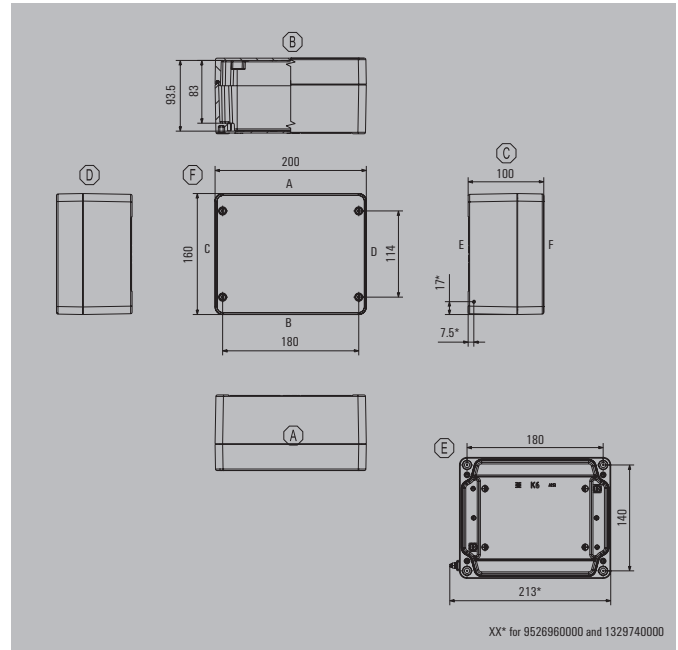
| Guide value for max. number of cable entries | A / B | C / D |
|--|-------|-------|
| M12 | 14 | 8 |
| M16 | 8 | 5 |
| M20 | 5 | 3 |
| M25 | 3 | 2 |
| M32 | 2 | 1 |
| M40 | 1 | |
| M50 | | |
| M63 | | |

Note Our IP68 brass cable glands are used as the reference for these guideline values.

Dimensions of mounting plate



Note The accessory sets contain the necessary mounting materials. Necessary on use of 1 hinge per longitudinal side. Helicoil for outdoor applications, available ex-works.



Height / Width / Depth 160 / 200 / 100 mm

Ordering data

| powder-coated (RAL 7001) | | Order No. |
|--------------------------|---------------------------|------------|
| | Standard (CR seal) | 9529240000 |
| | Standard (silicone seal)* | 1937870000 |
| unpainted | | |
| | Standard (CR seal) | 0342500000 |
| | Standard (silicone seal)* | 1939690000 |

Note The colours of painted enclosures may vary under certain circumstances. Ex-enclosures are available on request. *Delivery time on request

Accessories

| | | |
|---|--------------------------------|------------------|
| Terminal rail, Set | | Order No. |
| | 35 mm width | 1910110000 |
| Mounting plate | | |
| | Steel sheet, zinc plated | 3073110000 |
| Hinge, diecast zinc, Set | | 1580360000 |
| External mounting feet, set of 4 | | |
| | Stainless steel 1.4301 natural | 9529080000 |
| Torx® screw driver | | |
| | not insulated, Torx® TH20 | 9009160000 |
| Earthing stud | | |
| | Brass, M6 | 1277250000 |
| | Stainless steel 1.4404, M6 | 1283430000 |
| | Brass, M10 | 1277220000 |
| | Stainless steel 1.4404, M10 | 1283440000 |
| Pressure compensation elements | | |
| | Stainless steel 1.4305, M12 | 1868550000 |
| | Polyamide 6, M12 | 1868570000 |

Guide value for max. number of terminals (industry)

| Assembly with terminal | vertical | horizontal |
|------------------------|---------------------|------------|
| | 2.5 mm ² | * 1x25 |
| | 4 mm ² | * 1x21 |
| | 6 mm ² | 1x16 |
| | 10 mm ² | 1x12 |
| | 16 mm ² | 1x10 |



Note The mounting rails are designed to be installed directly. Assembly with terminals provides for 10 mm clearance to the ends of the mounting rail. Order recommendations: TS 35 mounting rail with WDU clamping yoke technology, ZDU spring-cage terminal block or A2C PUSH IN technology. Ordering information for the terminal blocks, please refer to the online catalogue. *For fitting the enclosures with terminal blocks, please refer to the Terminal block catalogue or the SAK series. We recommend BK 6 or BK 6 CRN (0625220000) for vertical installations. There are no specified mounting options available for mounting the enclosure in a vertical position. There are no pre-defined mounting points set within this enclosure for installing internal equipment in a vertical position.

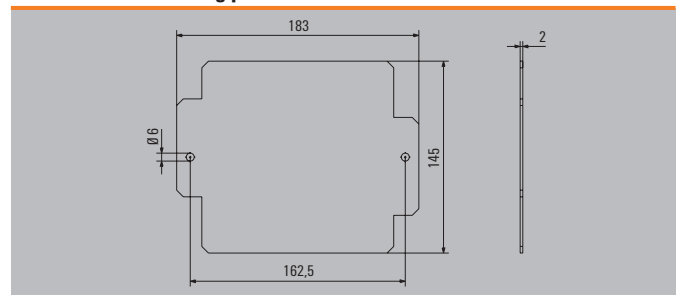
Guide value for max. number of cable entries

| Guide value for max. number of cable entries | A / B | C / D |
|--|-------|-------|
| | M12 | 17 |
| | M16 | 12 |
| | M20 | 7 |
| | M25 | 4 |
| | M32 | 3 |
| | M40 | 2 |
| | M50 | 1 |
| | M63 | |

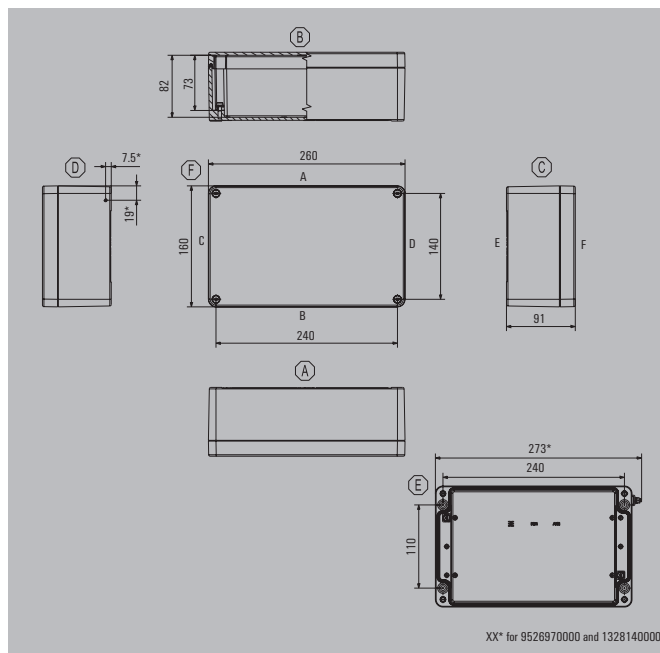


Note Our IP68 brass cable glands are used as the reference for these guideline values.

Dimensions of mounting plate



Note The accessory sets contain the necessary mounting materials. Necessary on use of 2 hinges per longitudinal side. Helicoil for outdoor applications, available ex-works.



Height / Width / Depth 160 / 260 / 91 mm

Ordering data

| powder-coated (RAL 7001) | Order No. |
|---------------------------|------------|
| Standard (CR seal) | 9529250000 |
| Standard (silicone seal)* | 1937730000 |
| unpainted | Order No. |
| Standard (CR seal) | 0573600000 |
| Standard (silicone seal)* | 1939700000 |

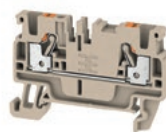
Note The colours of painted enclosures may vary under certain circumstances. Ex-enclosures are available on request. *Delivery time on request

Accessories

| | |
|---|------------|
| Terminal rail, Set | Order No. |
| 35 mm width | 1910120000 |
| Mounting plate | Order No. |
| Steel sheet, zinc plated | 3073120000 |
| Hinge, diecast zinc, Set | 1580360000 |
| External mounting feet, set of 4 | Order No. |
| Stainless steel 1.4301 natural | 9527590000 |
| Torx® screw driver | Order No. |
| not insulated, Torx® TH20 | 9009160000 |
| Earthing stud | Order No. |
| Brass, M6 | 1277250000 |
| Stainless steel 1.4404, M6 | 1283430000 |
| Brass, M10 | 1277220000 |
| Stainless steel 1.4404, M10 | 1283440000 |
| Pressure compensation elements | Order No. |
| Stainless steel 1.4305, M12 | 1868550000 |
| Polyamide 6, M12 | 1868570000 |

Guide value for max. number of terminals (industry)

| Assembly with terminal | vertical | horizontal |
|------------------------|----------|------------|
| 2.5 mm ² | * | 1x39 |
| 4 mm ² | * | 1x33 |
| 6 mm ² | | 1x24 |
| 10 mm ² | | 1x20 |
| 16 mm ² | | 1x16 |



Note The mounting rails are designed to be installed directly. Assembly with terminals provides for 10 mm clearance to the ends of the mounting rail. Order recommendations: TS 35 mounting rail with WDU clamping yoke technology, ZDU spring-cage terminal block or A2C PUSH IN technology. Ordering information for the terminal blocks, please refer to the online catalogue. *For fitting the enclosures with terminal blocks, please refer to the Terminal block catalogue or the SAK series. We recommend BK 6 or BK 6 CRN (0625220000) for vertical installations. There are no specified mounting options available for mounting the enclosure in a vertical position. There are no pre-defined mounting points set within this enclosure for installing internal equipment in a vertical position.

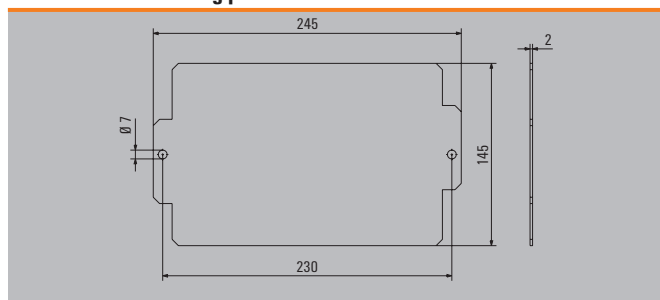
Guide value for max. number of cable entries

| Guide value for max. number of cable entries | A / B | C / D |
|--|-------|-------|
| M12 | 27 | 8 |
| M16 | 23 | 6 |
| M20 | 13 | 3 |
| M25 | 8 | 2 |
| M32 | 4 | 1 |
| M40 | 3 | 1 |
| M50 | | |
| M63 | | |

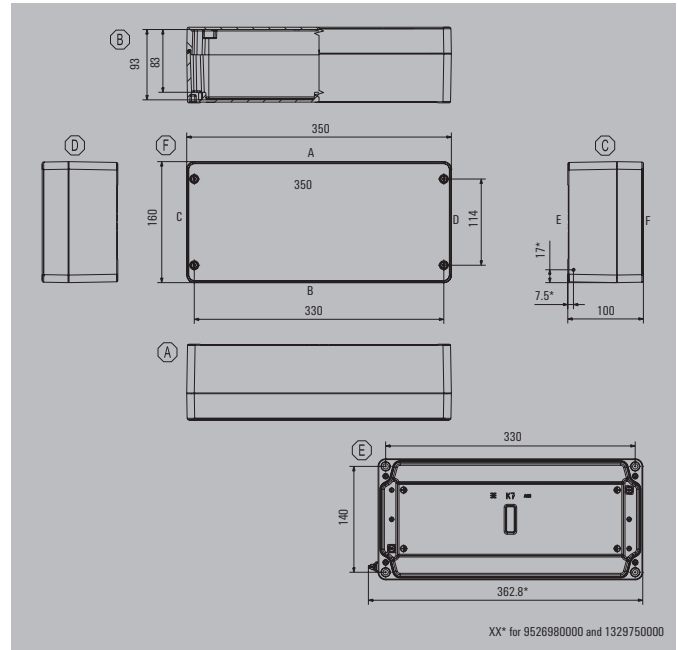


Note Our IP68 brass cable glands are used as the reference for these guideline values.

Dimensions of mounting plate



Note The accessory sets contain the necessary mounting materials. Necessary on use of 2 hinges per longitudinal side. Helicoil for outdoor applications, available ex-works.



Height / Width / Depth 160 / 350 / 100 mm

Ordering data

| powder-coated (RAL 7001) | Order No. |
|---------------------------|------------|
| Standard (CR seal) | 9529260000 |
| Standard (silicone seal)* | 1937880000 |
| unpainted | Order No. |
| Standard (CR seal) | 0342600000 |
| Standard (silicone seal)* | 1939710000 |

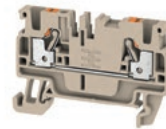
Note The colours of painted enclosures may vary under certain circumstances. Ex-enclosures are available on request. *Delivery time on request

Accessories

| | |
|---|------------|
| Terminal rail, Set | Order No. |
| 35 mm width | 1910130000 |
| Mounting plate | Order No. |
| Steel sheet, zinc plated | 3073130000 |
| Hinge, diecast zinc, Set | 1580360000 |
| External mounting feet, set of 4 | Order No. |
| Stainless steel 1.4301 natural | 9529080000 |
| Torx® screw driver | Order No. |
| not insulated, Torx® TH20 | 9009160000 |
| Earthing stud | Order No. |
| Brass, M6 | 1277250000 |
| Stainless steel 1.4404, M6 | 1283430000 |
| Brass, M10 | 1277220000 |
| Stainless steel 1.4404, M10 | 1283440000 |
| Pressure compensation elements | Order No. |
| Stainless steel 1.4305, M12 | 1868550000 |
| Polyamide 6, M12 | 1868570000 |

Guide value for max. number of terminals (industry)

| Assembly with terminal | vertical | horizontal |
|------------------------|----------|------------|
| 2.5 mm ² | * | 1x55 |
| 4 mm ² | * | 1x46 |
| 6 mm ² | | 1x34 |
| 10 mm ² | | 1x28 |
| 16 mm ² | | 1x23 |



Note The mounting rails are designed to be installed directly. Assembly with terminals provides for 10 mm clearance to the ends of the mounting rail. Order recommendations: TS 35 mounting rail with WDU clamping yoke technology, ZDU spring-cage terminal block or A2C PUSH IN technology. Ordering information for the terminal blocks, please refer to the online catalogue. *For fitting the enclosures with terminal blocks, please refer to the Terminal block catalogue or the SAK series. We recommend BK 6 or BK 6 CRN (0625220000) for vertical installations. There are no specified mounting options available for mounting the enclosure in a vertical position. There are no pre-defined mounting points set within this enclosure for installing internal equipment in a vertical position.

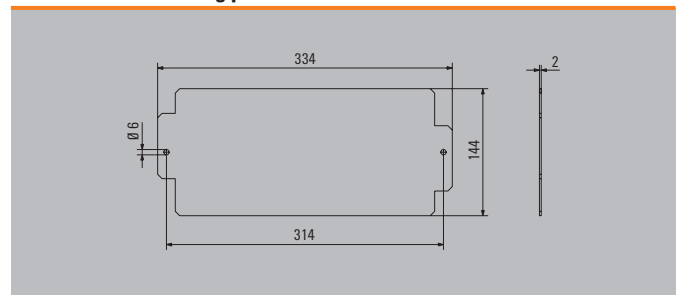
Guide value for max. number of cable entries

| Guide value for max. number of cable entries | A / B | C / D |
|--|-------|-------|
| M12 | 42 | 8 |
| M16 | 26 | 6 |
| M20 | 17 | 3 |
| M25 | 10 | 2 |
| M32 | 6 | 2 |
| M40 | 5 | 1 |
| M50 | | |
| M63 | | |



Note Our IP68 brass cable glands are used as the reference for these guideline values.

Dimensions of mounting plate



Note The accessory sets contain the necessary mounting materials. Necessary on use of 2 hinges per longitudinal side. Helicoil for outdoor applications, available ex-works.



230 / 280 / 111 mm

Ordering data

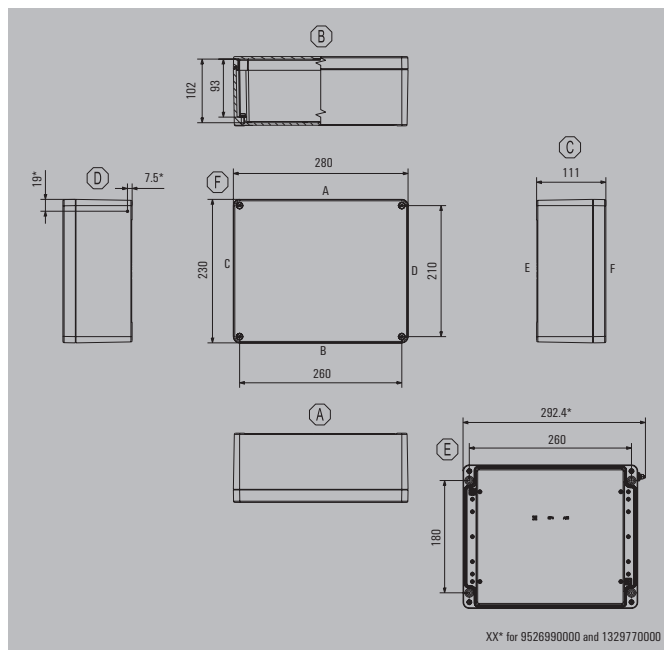
| powder-coated (RAL 7001) | Order No. |
|---------------------------|------------|
| Standard (CR seal) | 9529270000 |
| Standard (silicone seal)* | 1937720000 |
| unpainted | Order No. |
| Standard (CR seal) | 0573700000 |
| Standard (silicone seal)* | 1939730000 |

Note The colours of painted enclosures may vary under certain circumstances. Ex-enclosures are available on request. *Delivery time on request

Accessories

| Terminal rail, Set | Order No. |
|----------------------------------|------------|
| 35 mm width | 1910140000 |
| Mounting plate | Order No. |
| Steel sheet, zinc plated | 3073140000 |
| Hinge, diecast zinc, Set | Order No. |
| | 1580360000 |
| External mounting feet, set of 4 | Order No. |
| Stainless steel 1.4301 natural | 9527590000 |
| Torx®screw driver | Order No. |
| not insulated, Torx® TH20 | 9009160000 |
| Earthing stud | Order No. |
| Brass, M6 | 1277250000 |
| Stainless steel 1.4404, M6 | 1283430000 |
| Brass, M10 | 1277220000 |
| Stainless steel 1.4404, M10 | 1283440000 |
| Pressure compensation elements | Order No. |
| Stainless steel 1.4305, M12 | 1868550000 |
| Polyamide 6, M12 | 1868570000 |

Note The accessory sets contain the necessary mounting materials. Necessary on use of 2 hinges per longitudinal side. Helicoil for outdoor applications, available ex-works.



Guide value for max. number of terminals (industry)

| Assembly with terminal | vertical | horizontal |
|------------------------|----------|------------|
| 2.5 mm ² | * | 2x43 |
| 4 mm ² | * | 2x36 |
| 6 mm ² | | 2x26 |
| 10 mm ² | | 2x21 |
| 16 mm ² | | 2x17 |

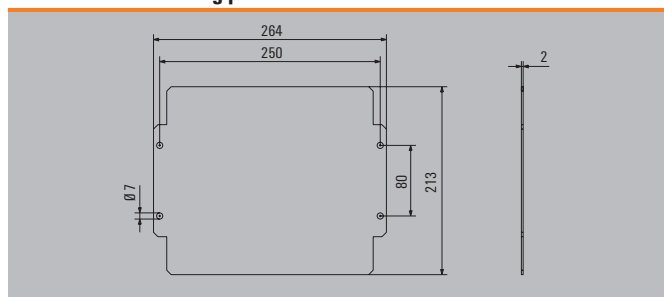
Note The mounting rails are designed to be installed directly. Assembly with terminals provides for 10 mm clearance to the ends of the mounting rail. Order recommendations: TS 35 mounting rail with WDU clamping yoke technology, ZDU spring-cage terminal block or A2C PUSH IN technology. Ordering information for the terminal blocks, please refer to the online catalogue. *For fitting the enclosures with terminal blocks, please refer to the Terminal block catalogue or the SAK series. We recommend BK 6 or BK 6 CRN (0625220000) for vertical installations. There are no specified mounting options available for mounting the enclosure in a vertical position. There are no pre-defined mounting points set within this enclosure for installing internal equipment in a vertical position.

Guide value for max. number of cable entries

| Guide value for max. number of cable entries | A / B | C / D |
|--|-------|-------|
| M12 | 42 | 28 |
| M16 | 30 | 18 |
| M20 | 21 | 10 |
| M25 | 12 | 8 |
| M32 | 10 | 3 |
| M40 | 4 | 2 |
| M50 | 3 | 2 |
| M63 | | |

Note Our IP68 brass cable glands are used as the reference for these guideline values.

Dimensions of mounting plate








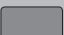





Klippon® Protect – Terminal Boxes – Product overview: Aluminium enclosure

Use the product overview to find the right solution for you! Combine your own industrial version consisting of an enclosure, with or without threaded holes, a suitable mounting rail or pre-fitted terminal strips. The compatible components are always shown in a row.

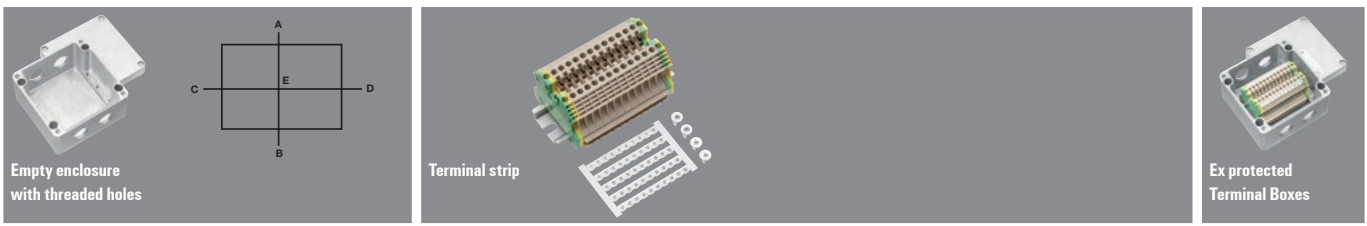
Klippon Protect enclosures with explosion protection for use in explosive risk zones are available on request.

C

Aluminium enclosure, uncoated

| Dimensions of the enclosure height x width x depth in mm | Enclosure type | Empty enclosure without threaded holes | | Mounting rail (TS) Mounting plate (MOPL) | | | Order No. | Qty. |
|--|----------------|--|------|--|--------------|-------------------------------------|------------|------|
| | | Order No. | Qty. | Type | Length in mm | Rail mounting slot dimensions in mm | | |
| Aluminium, uncoated | | | | | | | | |
| 64 x 58 x 34  | Klippon® K01 | 1565240000 | 10 | - | - | - | - | - |
| 70 x 70 x 45  | Klippon® K1 | 0342000000 | 10 | TS15 | 60 | 4.5 x 20 | 1909980000 | 1 |
| 80 x 75 x 57  | Klippon® K11 | 0573300000 | 10 | TS15 | 64 | 4.5 x 20 | 1909990000 | 1 |
| 70 x 100 x 45  | Klippon® K2 | 0342100000 | 10 | TS15 | 90 | 4.5 x 20 | 1910010000 | 1 |
| 80 x 125 x 57  | Klippon® K21 | 0573400000 | 5 | TS15 | 114 | 4.5 x 20 | 1910020000 | 1 |
| 70 x 165 x 45  | Klippon® K3 | 0342200000 | 5 | TS15 | 155 | 4.5 x 20 | 1910030000 | 1 |
| 80 x 175 x 57  | Klippon® K31 | 0573500000 | 5 | MOPL | 154 | 4.2 x 14 | 8000004497 | 1 |
| 82 x 130 x 72  | Klippon® K4 | 0342300000 | 1 | TS15 | 164 | 4.5 x 20 | 1910040000 | 1 |
| 120 x 122 x 81  | Klippon® K41 | 1565270000 | 1 | TS35 | 64 | 5.5 x 20 | 1910060000 | 1 |
| 130 x 170 x 90  | Klippon® K5 | 0342400000 | 1 | TS35 | 105 | 6.3 x 20 | 1910070000 | 1 |
| 160 x 160 x 91  | Klippon® K52 | 1565290000 | 1 | TS35 | 148 | 5.5 x 20 | 1910080000 | 1 |
| | | protection class IP 66 | | suitable for the enclosures of the respective line | | | | |

¹⁾ Multi-pole terminal strip (terminal block BK 4, BK 6 or BK 12), mounted on mounting plate
²⁾ Space for further threaded holes up to M40



| Threaded hole Side A | Threaded hole Side B | Order No. | Qty. | Connection technology | Cross-section mm ² | Number of DU* | Number of PE* | Order No. | Qty. | Order No. |
|----------------------|----------------------|-----------|------|-----------------------|-------------------------------|---------------|---------------|-----------|------|-----------|
|----------------------|----------------------|-----------|------|-----------------------|-------------------------------|---------------|---------------|-----------|------|-----------|

| | | | | | | | | | | | |
|--------|--------|------------|---|--------------------------|--|-----|----|---|--------------------------|-----|------------|
| 1x M16 | 1x M16 | 8000004184 | 1 | Screw connection | | 4 | 4 | 0 | 7906080000 | 100 | - |
| 1x M16 | 2x M16 | 8000004147 | 1 | Screw connection | | 4 | 4 | 0 | 8000004129 ¹⁾ | 1 | 8000004202 |
| 1x M20 | 1x M20 | 8000004148 | 1 | | | | | | | | 8000004203 |
| 2x M16 | 2x M16 | 8000004149 | 1 | | | | | | | | 8000004207 |
| 2x M20 | 2x M20 | 8000004150 | 1 | Tension clamp connection | | 2.5 | 5 | 1 | 8000004130 | 1 | 8000004208 |
| 2x M16 | 2x M16 | | | Tension clamp connection | | 2.5 | 5 | 1 | | | 8000004204 |
| 2x M20 | 2x M20 | | | Screw connection | | 4 | 5 | 2 | | | 8000004209 |
| 2x M20 | 2x M20 | 8000004151 | 1 | Screw connection | | 4 | 6 | 0 | 8000004132 ¹⁾ | 1 | 8000004210 |
| 3x M16 | 3x M16 | 8000004152 | 1 | Screw connection | | 4 | 13 | 2 | 8000004134 | 1 | 8000004212 |
| 3x M16 | 3x M16 | | | Tension clamp connection | | 2.5 | 14 | 2 | 8000004133 | 1 | 8000004211 |
| 4x M20 | 4x M20 | 8000004153 | 1 | Screw connection | | 4 | 12 | 0 | 8000004135 ¹⁾ | 1 | 8000004213 |
| 4x M20 | 4x M20 | 8000004154 | 1 | Screw connection | | 4 | 21 | 2 | 8000004137 | 1 | |
| 4x M20 | 4x M20 | | | Tension clamp connection | | 2.5 | 24 | 2 | 8000004136 | 1 | 8000004214 |
| 2x M20 | 2x M20 | 8000004155 | 1 | Screw connection | | 4 | 5 | 2 | 8000004138 | 1 | |
| 2x M20 | 2x M20 | | | Tension clamp connection | | 4 | 4 | 1 | 8000004139 | 1 | |
| 2x M25 | 2x M25 | 8000003446 | 1 | Screw connection | | 4 | 12 | 2 | 8000003444 | 1 | 8000003589 |
| 3x M20 | 3x M20 | 8000003447 | 1 | | | | | | | | |
| 2x M25 | 2x M25 | | | | | | | | | | |
| 3x M20 | 3x M20 | | | | | | | | | | 8000003591 |
| 4x M20 | 4x M20 | 8000004158 | 1 | Screw connection | | 4 | 17 | 2 | 8000004140 | 1 | 8000004218 |
| 4x M20 | 4x M20 | | | Tension clamp connection | | 4 | 15 | 2 | | 1 | 8000004219 |
| 4x M20 | 4x M20 | | 1 | Screw connection | | 4 | 16 | 2 | 8000004142 | 1 | 8000004220 |
| 4x M20 | 4x M20 | | | Tension clamp connection | | 2.5 | 19 | 2 | 8000004143 | 1 | 8000004221 |

suitable for the enclosure of the respective line
 *DU = feed-through terminals, PE = PE terminals

Ex-enclosure with threaded holes and terminal strip according to the respective line

Safely control work processes in harsh environments on site

With certified enclosure solutions with control and display elements

C

Harsh industrial environments, such as those in the water treatment industry, place extreme demands on the safety, robustness and quality of products and devices.

We meet these challenges with the Klippon® Control Station, the addition to our range of customised enclosure solutions. More than 50 years of expertise have made us market leader in this area with global competence centres. The basis of our enclosure solutions is provided by the usual Weidmüller quality and comprehensive approvals for explosion hazard areas. Based on this, our sturdy “on-site control station” is available in two standard sizes and with up to four control and display elements and provides a flexible solution to meet your specific needs.

Order your distributor enclosure as well as control and signaling units from a single source and from one enclosure design – for reliable security and reduced storage costs for maintenance and repair operations.

Your special advantages: Ideal for urgent service calls

We have prepared modules of the proven Klippon® enclosure series K available for you for further processing. This means we manufacture a control solution suitable for your application at short notice.



Predestined for emergency shutdown applications:
Klippon® Control Stations score when it comes to the safe shutdown of plant sections, such as in the process industry

Project solutions from a single source

Obtain command/signaling units and distribution and control boxes as a complete solution – tailored to the individual requirements of your projects in hazardous areas.



Customised assembly

In addition to standard types from stock, you can obtain enclosure solutions from us that are completely assembled and equipped according to customer requirements.

A variety of sizes and materials

Enclosures in stainless steel, aluminium or polyester are available for different environmental conditions. Depending on the size of the enclosure, it provides space for the integration of up to four control and display elements.

International certificates

The Klippon® Control Station is tested and certified among others according to ATEX and IECEx.





| | Number of built-in components | | | | Emergency stop pushbutton red | Key switch I – 0 – II | Pushbutton | | Illuminated pushbutton | | Light module | | Dimensions with built-in components HxWxD in mm | Designation | Cable gland | Order number | |
|-----------|-------------------------------|---|---|---|----------------------------------|--------------------------|------------|-------|------------------------|-------|--------------|-------|--|------------------|-------------|--------------|--|
| | • | • | • | • | | | red | green | red | green | red | green | | | | | |
| Aluminium | • | | | | 1 | | | | | | | | 149x120x119 | KLIPPON CS K41-1 | VG M20 | 1537470000 | |
| | • | | | | | | 1 | | | | | | 149x120x94 | KLIPPON CS K41-1 | VG M20 | 1537480000 | |
| | • | | | | | 1 | | | | | | | 149x120x108 | KLIPPON CS K41-1 | VG M20 | 1537490000 | |
| | • | | | | | | | | | 1 | | | 149x120x96 | KLIPPON CS K41-1 | VG M20 | 1537500000 | |
| | • | | | | | | | 1 | 1 | | | | 152x120x119 | KLIPPON CS K41-4 | VG M25 | 1537510000 | |
| | • | | | | | | | | 1 | | 1 | | 152x120x103 | KLIPPON CS K41-4 | VG M25 | 1537520000 | |
| | • | | | | 1 | | | | | | | 1 | 152x120x119 | KLIPPON CS K41-4 | VG M25 | 1537530000 | |
| | | • | | | | | | 1 | 1 | | | 1 | 250x120x103 | KLIPPON CS K51-2 | VG M25 | 1537540000 | |
| | | | • | | | | | 1 | 2 | | | | 250x120x94 | KLIPPON CS K51-2 | VG M25 | 1537550000 | |
| | | | | • | 1 | | | 1 | 1 | | | | 250x120x119 | KLIPPON CS K51-2 | VG M25 | 1537570000 | |
| | | | | | | | | 1 | 1 | | 1 | 1 | 250x120x103 | KLIPPON CS K51-4 | VG M25 | 1537580000 | |

Klippon® CS K41-1



Klippon® CS K41-1



Technical data

| | |
|--|--|
| Enclosure | |
| Dimensions with installation (HxBxD) | 149 / 120 / 119 mm |
| Material | Aluminium AlSi12 |
| General characteristics | |
| Surface finish / Colour | Powder-coated / Silver grey |
| Protection class | IP54, IP66 |
| Ambient temperature | -55 °C...+55 °C |
| Impact resistance | 7 joules in acc. with IEC 60079-0 |
| Enclosure seal material | Silicone (VMQ) |
| Seal material of operating and display elements | EPDM |
| Type of mounting | Wall mounting |
| Internal earth | Earth terminal |
| External earth | M4 earthing studs, stainless steel |
| Lid attachment | Torx®-20 slothead screws |
| Torque for lid screws | 2.5 Nm |
| Earth stud torque | 2.5 Nm |
| Electrical properties* | |
| Wire connection cross section, finely stranded, max. | 2.5 mm ² |
| Operating voltage, max. | 400 V |
| Temperature class | T4, T5, T6 |
| Enclosure assembly | |
| 1 Position in enclosure | EMERGENCY-STOP pushbutton with yellow, contrasting label |
| 2 Position in enclosure | |
| 3 Position in enclosure | |
| 4 Position in enclosure | |
| Contact design | 2 NC contact, positive opening contacts |
| Actuators | EMERGENCY STOP pushbutton |
| Actuator colour | red |
| Illumination module colour | |
| Illuminated button actuator colour | |
| Cable entries | |
| Drill holes side B | 1 x M20 |
| Cable gland | 1460050000 - VG M20 EXE MS |
| Clamping range min. / max. | 3 mm / 12 mm |
| Approval and Marking | |
| Standards | IEC 60079-0, IEC 60079-7, IEC 60079-31 |
| Certificate No. (IECEX) | IECEXITA14.0013X |
| Certificate No. (ATEX) | TUEV14ATEX7606X |
| Certificate No. (EAC) | RUC-DE.BE02.B.00173 |
| Certificate No. (MARITREG) | 15.40082.250 |
| Marking | II 2 G Ex d e IIC T* Gb II 2 D Ex tb IIIC T*°C Db |
| Accessories | |
| Mounting feet | 9527590000 - KLIPPON K MF KIT 25 |

| | |
|--|--|
| Enclosure | |
| Dimensions with installation (HxBxD) | 149 / 120 / 94 mm |
| Material | Aluminium AlSi12 |
| General characteristics | |
| Surface finish / Colour | Powder-coated / Silver grey |
| Protection class | IP54, IP66 |
| Ambient temperature | -55 °C...+55 °C |
| Impact resistance | 7 joules in acc. with IEC 60079-0 |
| Enclosure seal material | Silicone (VMQ) |
| Seal material of operating and display elements | EPDM |
| Type of mounting | Wall mounting |
| Internal earth | Earth terminal |
| External earth | M4 earthing studs, stainless steel |
| Lid attachment | Torx®-20 slothead screws |
| Torque for lid screws | 2.5 Nm |
| Earth stud torque | 2.5 Nm |
| Electrical properties* | |
| Wire connection cross section, finely stranded, max. | 2.5 mm ² |
| Operating voltage, max. | 400 V |
| Temperature class | T4, T5, T6 |
| Enclosure assembly | |
| 1 Position in enclosure | Pushbutton - green |
| 2 Position in enclosure | |
| 3 Position in enclosure | |
| 4 Position in enclosure | |
| Contact design | 1 NC contact, 1 NO contacts |
| Actuators | Pushbutton |
| Actuator colour | green |
| Illumination module colour | |
| Illuminated button actuator colour | |
| Cable entries | |
| Drill holes side B | 1 x M20 |
| Cable gland | 1460050000 - VG M20 EXE MS |
| Clamping range min. / max. | 3 mm / 12 mm |
| Approval and Marking | |
| Standards | IEC 60079-0, IEC 60079-7, IEC 60079-31 |
| Certificate No. (IECEX) | IECEXITA14.0013X |
| Certificate No. (ATEX) | TUEV14ATEX7606X |
| Certificate No. (EAC) | RUC-DE.TB08.B.01838 |
| Certificate No. (MARITREG) | 15.40082.250 |
| Marking | II 2 G Ex d e IIC T* Gb II 2 D Ex tb IIIC T*°C Db |
| Accessories | |
| Mounting feet | 9527590000 - KLIPPON K MF KIT 25 |

| | |
|--|--|
| Enclosure | |
| Dimensions with installation (HxBxD) | 149 / 120 / 94 mm |
| Material | Aluminium AlSi12 |
| General characteristics | |
| Surface finish / Colour | Powder-coated / Silver grey |
| Protection class | IP54, IP66 |
| Ambient temperature | -55 °C...+55 °C |
| Impact resistance | 7 joules in acc. with IEC 60079-0 |
| Enclosure seal material | Silicone (VMQ) |
| Seal material of operating and display elements | EPDM |
| Type of mounting | Wall mounting |
| Internal earth | Earth terminal |
| External earth | M4 earthing studs, stainless steel |
| Lid attachment | Torx®-20 slothead screws |
| Torque for lid screws | 2.5 Nm |
| Earth stud torque | 2.5 Nm |
| Electrical properties* | |
| Wire connection cross section, finely stranded, max. | 2.5 mm ² |
| Operating voltage, max. | 400 V |
| Temperature class | T4, T5, T6 |
| Enclosure assembly | |
| 1 Position in enclosure | Pushbutton - green |
| 2 Position in enclosure | |
| 3 Position in enclosure | |
| 4 Position in enclosure | |
| Contact design | 1 NC contact, 1 NO contacts |
| Actuators | Pushbutton |
| Actuator colour | green |
| Illumination module colour | |
| Illuminated button actuator colour | |
| Cable entries | |
| Drill holes side B | 1 x M20 |
| Cable gland | 1460050000 - VG M20 EXE MS |
| Clamping range min. / max. | 3 mm / 12 mm |
| Approval and Marking | |
| Standards | IEC 60079-0, IEC 60079-7, IEC 60079-31 |
| Certificate No. (IECEX) | IECEXITA14.0013X |
| Certificate No. (ATEX) | TUEV14ATEX7606X |
| Certificate No. (EAC) | RUC-DE.TB08.B.01838 |
| Certificate No. (MARITREG) | 15.40082.250 |
| Marking | II 2 G Ex d e IIC T* Gb II 2 D Ex tb IIIC T*°C Db |
| Accessories | |
| Mounting feet | 9527590000 - KLIPPON K MF KIT 25 |

| | |
|-------------|--|
| Note | |
|-------------|--|

Ordering data

| Type | Qty. | Order No. |
|------------------|------|------------|
| KLIPPON CS K41-1 | 1 | 1537470000 |

| Type | Qty. | Order No. |
|------------------|------|------------|
| KLIPPON CS K41-1 | 1 | 1537480000 |

| | |
|-------------|--|
| Note | *Other temperature classes and connection values on request, or see "Notice to Installer". |
|-------------|--|

| | |
|-------------|--|
| Note | *Other temperature classes and connection values on request, or see "Notice to Installer". |
|-------------|--|

Klippon® CS K41-1



| |
|---|
| 149 / 120 / 108 mm |
| Aluminium AlSi12 |
| Powder-coated / Silver grey |
| IP54, IP66 |
| -55 °C...+55 °C |
| 7 joules in acc. with IEC 60079-0 |
| Silicone (VMQ) |
| EPDM |
| Wall mounting |
| Earth terminal |
| M4 earthing studs, stainless steel |
| Torx®-20 slothead screws |
| 2.5 Nm |
| 2.5 Nm |
| 2.5 mm ² |
| 400 V |
| T4, T5, T6 |
| Key-operated switch |
| 1 NC contact, 1 NO contacts |
| Key-operated switch, 3 switching positions, I - 0 - II, (I + II), latching, Key retractable |
| 1 x M20 |
| 1460050000 - VG M20 EXE MS |
| 3 mm / 12 mm |
| IEC 60079-0, IEC 60079-7, IEC 60079-31 |
| IECEXITA14.0013X |
| TUEV14ATEX7606X |
| RUC-DE.BE02.B.00173 |
| 15.40082.250 |
| II 2 G Ex d e IIC T* Gb |
| II 2 D Ex tb IIIC T**C Db |
| 9527590000 - KLIPPON K MF KIT 25 |

| Type | Qty. | Order No. |
|------------------|------|------------|
| KLIPPON CS K41-1 | 1 | 1537490000 |

*Other temperature classes and connection values on request, or see "Notice to Installer".

Klippon® CS K41-1



| |
|--|
| 149 / 120 / 96 mm |
| Aluminium AlSi12 |
| Powder-coated / Silver grey |
| IP54, IP66 |
| -55 °C...+55 °C |
| 4 joules in acc. with IEC 60079-0 |
| Silicone (VMQ) |
| EPDM |
| Wall mounting |
| Earth terminal |
| M4 earthing studs, stainless steel |
| Torx®-20 slothead screws |
| 2.5 Nm |
| 2.5 Nm |
| 2.5 mm ² |
| 250 V |
| T4, T5, T6 |
| Illuminated pushbutton - green |
| 2 NO contacts |
| Pushbutton |
| green |
| green |
| 1 x M20 |
| 1460050000 - VG M20 EXE MS |
| 3 mm / 12 mm |
| IEC 60079-0, IEC 60079-7, IEC 60079-31 |
| IECEXITA14.0013X |
| TUEV14ATEX7606X |
| RUC-DE.BE02.B.00173 |
| 15.40082.250 |
| II 2 G Ex d e IIC T* Gb |
| II 2 D Ex tb IIIC T**C Db |
| 9527590000 - KLIPPON K MF KIT 25 |

| Type | Qty. | Order No. |
|------------------|------|------------|
| KLIPPON CS K41-1 | 1 | 1537500000 |

*Other temperature classes and connection values on request, or see "Notice to Installer".

Klippon® CS K41-4



| |
|--|
| 152 / 120 / 119 mm |
| Aluminium AlSi12 |
| Powder-coated / Silver grey |
| IP54, IP66 |
| -55 °C...+55 °C |
| 7 joules in acc. with IEC 60079-0 |
| Silicone (VMQ) |
| EPDM |
| Wall mounting |
| Earth terminal |
| M4 earthing studs, stainless steel |
| Torx®-20 slothead screws |
| 2.5 Nm |
| 2.5 Nm |
| 2.5 mm ² |
| 400 V |
| T4, T5, T6 |
| Pushbutton - red |
| Pushbutton - green |
| 2 NC contact, 2 NO contacts |
| Pushbutton |
| red, green |
| 1 x M25 |
| 1460070000 - VG M25 EXE MS |
| 10 mm / 18 mm |
| IEC 60079-0, IEC 60079-7, IEC 60079-31 |
| IECEXITA14.0013X |
| TUEV14ATEX7606X |
| RUC-DE.BE02.B.00173 |
| 15.40082.250 |
| II 2 G Ex d e IIC T* Gb |
| II 2 D Ex tb IIIC T**C Db |
| 9527590000 - KLIPPON K MF KIT 25 |

| Type | Qty. | Order No. |
|------------------|------|------------|
| KLIPPON CS K41-4 | 1 | 1537510000 |

*Other temperature classes and connection values on request, or see "Notice to Installer".

Klippon® CS K41-4



Klippon® CS K41-4



Technical data

| | |
|--|--|
| Enclosure | |
| Dimensions with installation (HxBxD) | 152 / 120 / 103 mm |
| Material | Aluminium AlSi12 |
| General characteristics | |
| Surface finish / Colour | Powder-coated / Silver grey |
| Protection class | IP54, IP66 |
| Ambient temperature | -55 °C...+55 °C |
| Impact resistance | 4 joules in acc. with IEC 60079-0 |
| Enclosure seal material | Silicone (VMQ) |
| Seal material of operating and display elements | EPDM |
| Type of mounting | Wall mounting |
| Internal earth | Earth terminal |
| External earth | M4 earthing studs, stainless steel |
| Lid attachment | Torx®-20 slothead screws |
| Torque for lid screws | 2.5 Nm |
| Earth stud torque | 2.5 Nm |
| Electrical properties* | |
| Wire connection cross section, finely stranded, max. | 2.5 mm² |
| Operating voltage, max. | 250 V |
| Temperature class | T4, T5, T6 |
| Enclosure assembly | |
| 1 Position in enclosure | Light module - green |
| 2 Position in enclosure | Pushbutton - green |
| 3 Position in enclosure | |
| 4 Position in enclosure | |
| Contact design | 1 NC contact, 1 NO contacts |
| Actuators | Pushbutton |
| Actuator colour | green |
| Illumination module colour | green |
| Illuminated button actuator colour | |
| Cable entries | |
| Drill holes side B | 1 x M25 |
| Cable gland | 1460070000 - VG M25 EXE MS |
| Clamping range min. / max. | 10 mm / 18 mm |
| Approval and Marking | |
| Standards | IEC 60079-0, IEC 60079-7, IEC 60079-31 |
| Certificate No. (IECEX) | IECEXITA14.0013X |
| Certificate No. (ATEX) | TUEV14ATEX7606X |
| Certificate No. (EAC) | RUC-DE-BE02.B.00173 |
| Certificate No. (MARITREG) | 15.40082.250 |
| Marking | II 2 G Ex d e IIC T* Gb II 2 D Ex tb IIIC T*°C Db |
| Accessories | |
| Mounting feet | 9527590000 - KLIPPON K MF KIT 25 |

| | |
|--|--|
| Enclosure | |
| Dimensions with installation (HxBxD) | 152 / 120 / 103 mm |
| Material | Aluminium AlSi12 |
| General characteristics | |
| Surface finish / Colour | Powder-coated / Silver grey |
| Protection class | IP54, IP66 |
| Ambient temperature | -55 °C...+55 °C |
| Impact resistance | 4 joules in acc. with IEC 60079-0 |
| Enclosure seal material | Silicone (VMQ) |
| Seal material of operating and display elements | EPDM |
| Type of mounting | Wall mounting |
| Internal earth | Earth terminal |
| External earth | M4 earthing studs, stainless steel |
| Lid attachment | Torx®-20 slothead screws |
| Torque for lid screws | 2.5 Nm |
| Earth stud torque | 2.5 Nm |
| Electrical properties* | |
| Wire connection cross section, finely stranded, max. | 2.5 mm² |
| Operating voltage, max. | 250 V |
| Temperature class | T4, T5, T6 |
| Enclosure assembly | |
| 1 Position in enclosure | Light module - green |
| 2 Position in enclosure | Pushbutton - green |
| 3 Position in enclosure | |
| 4 Position in enclosure | |
| Contact design | 1 NC contact, 1 NO contacts |
| Actuators | Pushbutton |
| Actuator colour | green |
| Illumination module colour | green |
| Illuminated button actuator colour | |
| Cable entries | |
| Drill holes side B | 1 x M25 |
| Cable gland | 1460070000 - VG M25 EXE MS |
| Clamping range min. / max. | 10 mm / 18 mm |
| Approval and Marking | |
| Standards | IEC 60079-0, IEC 60079-7, IEC 60079-31 |
| Certificate No. (IECEX) | IECEXITA14.0013X |
| Certificate No. (ATEX) | TUEV14ATEX7606X |
| Certificate No. (EAC) | RUC-DE-BE02.B.00173 |
| Certificate No. (MARITREG) | 15.40082.250 |
| Marking | II 2 G Ex d e IIC T* Gb II 2 D Ex tb IIIC T*°C Db |
| Accessories | |
| Mounting feet | 9527590000 - KLIPPON K MF KIT 25 |

| | |
|--|--|
| Enclosure | |
| Dimensions with installation (HxBxD) | 152 / 120 / 119 mm |
| Material | Aluminium AlSi12 |
| General characteristics | |
| Surface finish / Colour | Powder-coated / Silver grey |
| Protection class | IP54, IP66 |
| Ambient temperature | -55 °C...+55 °C |
| Impact resistance | 4 joules in acc. with IEC 60079-0 |
| Enclosure seal material | Silicone (VMQ) |
| Seal material of operating and display elements | EPDM |
| Type of mounting | Wall mounting |
| Internal earth | Earth terminal |
| External earth | M4 earthing studs, stainless steel |
| Lid attachment | Torx®-20 slothead screws |
| Torque for lid screws | 2.5 Nm |
| Earth stud torque | 2.5 Nm |
| Electrical properties* | |
| Wire connection cross section, finely stranded, max. | 2.5 mm² |
| Operating voltage, max. | 250 V |
| Temperature class | T4, T5, T6 |
| Enclosure assembly | |
| 1 Position in enclosure | Light module - red |
| 2 Position in enclosure | EMERGENCY-STOP pushbutton with yellow, contrasting label |
| 3 Position in enclosure | |
| 4 Position in enclosure | |
| Contact design | 2 NC contact, positive opening contacts |
| Actuators | EMERGENCY STOP pushbutton |
| Actuator colour | red |
| Illumination module colour | |
| Illuminated button actuator colour | |
| Cable entries | |
| Drill holes side B | 1 x M25 |
| Cable gland | 1460070000 - VG M25 EXE MS |
| Clamping range min. / max. | 10 mm / 18 mm |
| Approval and Marking | |
| Standards | IEC 60079-0, IEC 60079-7, IEC 60079-31 |
| Certificate No. (IECEX) | IECEXITA14.0013X |
| Certificate No. (ATEX) | TUEV14ATEX7606X |
| Certificate No. (EAC) | RUC-DE-BE02.B.00173 |
| Certificate No. (MARITREG) | 15.40082.250 |
| Marking | II 2 G Ex d e IIC T* Gb II 2 D Ex tb IIIC T*°C Db |
| Accessories | |
| Mounting feet | 9527590000 - KLIPPON K MF KIT 25 |

| | |
|-------------|--|
| Note | |
|-------------|--|

Ordering data

| | | |
|------------------|-------------|------------------|
| Type | Qty. | Order No. |
| KLIPPON CS K41-4 | 1 | 1537520000 |

| | | |
|------------------|-------------|------------------|
| Type | Qty. | Order No. |
| KLIPPON CS K41-4 | 1 | 1537530000 |

| | |
|-------------|--|
| Note | *Other temperature classes and connection values on request, or see "Notice to Installer". |
|-------------|--|

| | |
|-------------|--|
| Note | *Other temperature classes and connection values on request, or see "Notice to Installer". |
|-------------|--|

Klippon® CS K51-2



| |
|--|
| 250 / 120 / 103 mm |
| Aluminium AISI12 |
| Powder-coated / Silver grey |
| IP54, IP66 |
| -55 °C...+55 °C |
| 4 joules in acc. with IEC 60079-0 |
| Silicone (VMQ) |
| EPDM |
| Wall mounting |
| Earth terminal |
| M4 earthing studs, stainless steel |
| Torx®-20 slothead screws |
| 2.5 Nm |
| 2.5 Nm |
| 2.5 mm ² |
| 250 V |
| T4, T5, T6 |
| Pushbutton - red |
| Light module - green |
| Pushbutton - green |
| 2 NC contact, 2 NO contacts |
| Pushbutton |
| red, green |
| green |
| 1 x M25 |
| 1460070000 - VG M25 EXE MS |
| 10 mm / 18 mm |
| IEC 60079-0, IEC 60079-7, IEC 60079-31 |
| IECEXITA14.0013X |
| TUEV14ATEX7606X |
| RUC-DE.BE02.B.00173 |
| 15.40082.250 |
| II 2 G Ex d e IIC T* Gb |
| II 2 D Ex tb IIIC T**C Db |
| 9527590000 - KLIPPON K MF KIT 25 |

Klippon® CS K51-2



| |
|--|
| 250 / 120 / 94 mm |
| Aluminium AISI12 |
| Powder-coated / Silver grey |
| IP54, IP66 |
| -55 °C...+55 °C |
| 7 joules in acc. with IEC 60079-0 |
| Silicone (VMQ) |
| EPDM |
| Wall mounting |
| Earth terminal |
| M4 earthing studs, stainless steel |
| Torx®-20 slothead screws |
| 2.5 Nm |
| 2.5 Nm |
| 2.5 mm ² |
| 400 V |
| T4, T5, T6 |
| Pushbutton - green |
| Pushbutton - red |
| Pushbutton - green |
| 3 NC contact, 3 NO contacts |
| Pushbutton |
| green, red |
| 1 x M25 |
| 1460070000 - VG M25 EXE MS |
| 10 mm / 18 mm |
| IEC 60079-0, IEC 60079-7, IEC 60079-31 |
| IECEXITA14.0013X |
| TUEV14ATEX7606X |
| RUC-DE.BE02.B.00173 |
| 15.40082.250 |
| II 2 G Ex d e IIC T* Gb |
| II 2 D Ex tb IIIC T**C Db |
| 9527590000 - KLIPPON K MF KIT 25 |

Klippon® CS K51-2



| |
|--|
| 250 / 120 / 119 mm |
| Aluminium AISI12 |
| Powder-coated / Silver grey |
| IP54, IP66 |
| -55 °C...+55 °C |
| 7 joules in acc. with IEC 60079-0 |
| Silicone (VMQ) |
| EPDM |
| Wall mounting |
| Earth terminal |
| M4 earthing studs, stainless steel |
| Torx®-20 slothead screws |
| 2.5 Nm |
| 2.5 Nm |
| 2.5 mm ² |
| 400 V |
| T4, T5, T6 |
| Pushbutton - green |
| Pushbutton - red |
| EMERGENCY-STOP pushbutton with yellow, contrasting label |
| 2 NO contacts, 2 NC contact, positive opening contacts |
| Pushbutton, EMERGENCY STOP pushbutton |
| green, red |
| 1 x M25 |
| 1460070000 - VG M25 EXE MS |
| 10 mm / 18 mm |
| IEC 60079-0, IEC 60079-7, IEC 60079-31 |
| IECEXITA14.0013X |
| TUEV14ATEX7606X |
| RUC-DE.TB08.B.01838 |
| 15.40082.250 |
| II 2 G Ex d e IIC T* Gb |
| II 2 D Ex tb IIIC T**C Db |
| 9527590000 - KLIPPON K MF KIT 25 |

| Type | Qty. | Order No. |
|------------------|------|------------|
| KLIPPON CS K51-2 | 1 | 1537540000 |

| Type | Qty. | Order No. |
|------------------|------|------------|
| KLIPPON CS K51-2 | 1 | 1537550000 |

| Type | Qty. | Order No. |
|------------------|------|------------|
| KLIPPON CS K51-2 | 1 | 1537570000 |

*Other temperature classes and connection values on request, or see "Notice to Installer".

*Other temperature classes and connection values on request, or see "Notice to Installer".

*Other temperature classes and connection values on request, or see "Notice to Installer".

Klippon® CS K51-4



Technical data

| | |
|--|---|
| Enclosure | |
| Dimensions with installation (HxBxD) | 250 / 120 / 103 mm |
| Material | Aluminium AlSi12 |
| General characteristics | |
| Surface finish / Colour | Powder-coated / Silver grey |
| Protection class | IP54, IP66 |
| Ambient temperature | -55 °C...+55 °C |
| Impact resistance | 4 joules in acc. with IEC 60079-0 |
| Enclosure seal material | Silicone (VMQ) |
| Seal material of operating and display elements | EPDM |
| Type of mounting | Wall mounting |
| Internal earth | Earth terminal |
| External earth | M4 earthing studs, stainless steel |
| Lid attachment | Torx®-20 s槽head screws |
| Torque for lid screws | 2.5 Nm |
| Earth stud torque | 2.5 Nm |
| Electrical properties* | |
| Wire connection cross section, finely stranded, max. | 2.5 mm² |
| Operating voltage, max. | 250 V |
| Temperature class | T4, T5, T6 |
| Enclosure assembly | |
| 1 Position in enclosure | Light module - red |
| 2 Position in enclosure | Pushbutton - red |
| 3 Position in enclosure | Light module - green |
| 4 Position in enclosure | Pushbutton - green |
| Contact design | 2 NC contact, 2 NO contacts |
| Actuators | Pushbutton |
| Actuator colour | green, red |
| Illumination module colour | red, green |
| Illuminated button actuator colour | |
| Cable entries | |
| Drill holes side B | 1 x M25 |
| Cable gland | 1460070000 - VG M25 EXE MS |
| Clamping range min. / max. | 10 mm / 18 mm |
| Approval and Marking | |
| Standards | IEC 60079-0, IEC 60079-7, IEC 60079-31 |
| Certificate No. (IECEX) | IECEXITA14.0013X |
| Certificate No. (ATEX) | TUEV14ATEX7606X |
| Certificate No. (EAC) | RUC-DE.BED2.B.00173 |
| Certificate No. (MARITREG) | 15.40082.250 |
| Marking | II 2 G Ex d e IIC T+ Gb II 2 D Ex tb IIC T+°C Db |
| Accessories | |
| Mounting feet | 9527590000 - KLIPPON K MF KIT 25 |

| | |
|-------------|--|
| Note | |
|-------------|--|

Ordering data

| Type | Qty. | Order No. |
|------------------|------|------------|
| KLIPPON CS K51-4 | 1 | 1537580000 |

| | |
|-------------|--|
| Note | *Other temperature classes and connection values on request, or see "Notice to Installer". |
|-------------|--|

Klippon® POK – Polyester Enclosures

Universal terminal boxes for standard industrial applications and for potentially explosive atmospheres in Zones 1 and 2, 21 and 22

C

The Klippon® POK enclosure range is made from a high-quality glass fibre reinforced polyester and is ideal for applications and environments where corrosion resistance, impact resistance and a high IP protection class is a requirement.

Key Features:

- Manufactured from glass fibre reinforced polyester
- Available in 17 sizes
- Two standard finishes (colours)
 - Grey, similar to RAL 7001 (industrial use)
 - Black, similar to RAL 9011 (harsh environments, Ex)
- Captive lid fixing screws are stainless steel
- Fixing holes are located outside of the lid sealing area to ensure high ingress protection of IP66
- Threaded holes for internal component mounting
- Silicone sealing for extreme temperature environments
- Impact resistance up to 7 Joules
- Approved to the latest international standards, including EN 62208 and IEC EN 60079

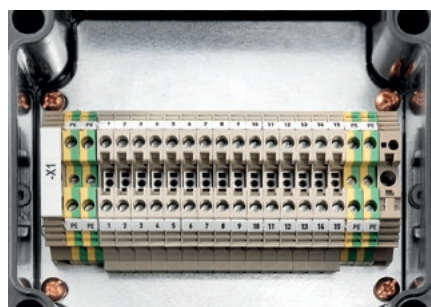
Cross-head screws

The enclosure lid is secured with stainless steel captive cross-head screws. Handling the enclosure is made simple. A single tool is the only requirement for quick and easy installation.



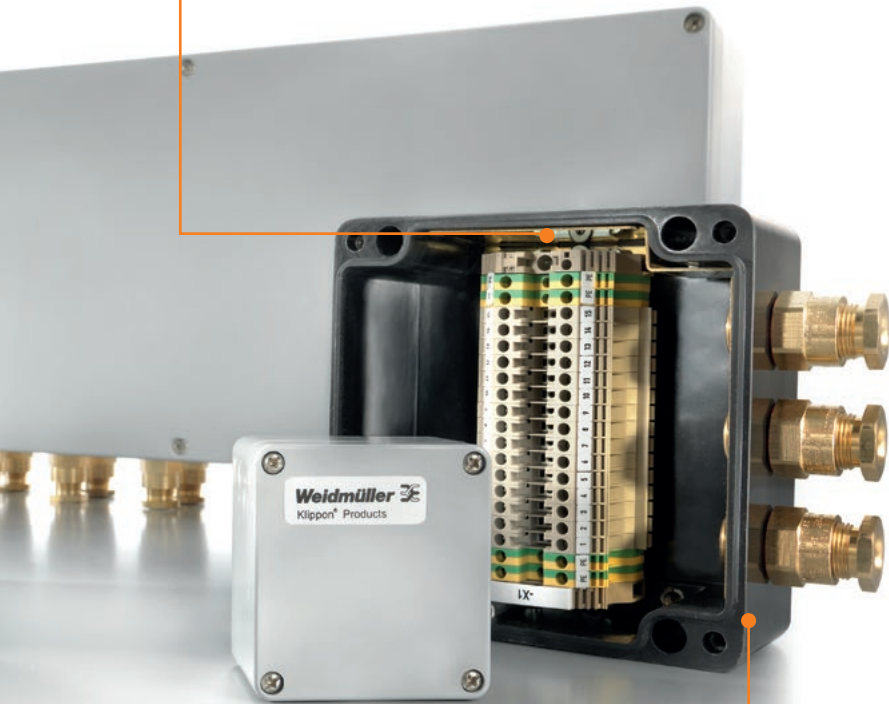
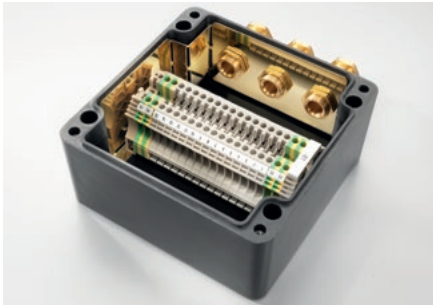
Mounting plates

Internal mounting plates for the installation of terminal rails, terminal blocks or other equipment are available.



Brass Earth Continuity Plate

An angled design made to complement the Klippon® POK enclosures installed in potentially explosive atmospheres. The brass earth continuity plate is available as an optional accessory.



Earth kit

The Klippon® POK Ex enclosures are designed for applications installed in potentially explosive atmospheres. An M6 or M10 internal/external earth kit is available as an optional accessory.



Other Colour

Grey, similar to RAL7001
 Black, similar to RAL 9011
 Other colours are available on request (subject to a minimum order quantity).



Enclosure wall fixing (direct or via mounting lugs)

The fixing positions of each enclosure are located outside of the sealing area. The enclosure can be fastened directly via fixing holes found on the rear side of the enclosure or alternatively, it is possible to secure the enclosure from the outside by means of mounting lugs that are separately available.



Closed moulded sealing

Robust and secure sealing increases the performance of each enclosure with enhanced ingress protection.

The Klippon® POK enclosures are supplied as standard with a removable and replaceable moulded gasket.

Available in either silicone or chloroprene material and depending upon the enclosure type they are adapted to the contour of each enclosure to ensure ingress performance is maintained.



Klippon® POK – Polyester enclosures

The Klippon® POK range of polyester enclosures are designed to protect and integrate with general purpose electrical and electronic equipment as well as control components in harsh environments or potentially explosive atmospheres.

Designed to meet the rigorous demands of industrial automation or process control and energy industries and with signal and component protection in mind, the Klippon POK enclosure range is designed to meet the customers' application needs.

Our customer specific assembly service can provide a fully customised enclosure solution, designed to meet the customer requirements.

Features:

- For use in potentially explosive atmospheres and industrial applications
- Extremely robust with a high impact resistance
- Approved to the latest international standards
- M4 or M6 mounting elements integrated into enclosure body for installation of mounting plates, mounting rails, printed circuit boards etc.

Note: The enclosure range Klippon® POK can be assembled with terminals or other approved equipment by our locally available Application-Specific Solutions service. Please ask us for more details.



Use our online catalogue to find additional product details, technical information and additional services:

www.weidmueller.com/KlipponPOK

Overview of enclosures

Ordering data

| Description | Hight x width x depth in mm | Standard (grey finish) | Ex Enclosures (black finish) | Reference product |
|---------------------|--------------------------------|---------------------------|---------------------------------|----------------------|
| Klippon® POK 080806 | 75 x 80 x 55 | 1305810000 | 1306000000 | Klippon® POK 1 |
| Klippon® POK 081106 | 75 x 110 x 56 | 1305820000 | 1306010000 | Klippon® POK 2 |
| Klippon® POK 081606 | 75 x 160 x 56 | 1305830000 | 1306020000 | Klippon® POK 3 |
| Klippon® POK 081906 | 75 x 190 x 55 | 1305840000 | 1306030000 | Klippon® POK 31 |
| Klippon® POK 082306 | 75 x 230 x 56 | 1305850000 | 1306040000 | Klippon® POK 32 |
| Klippon® POK 121209 | 120 x 122 x 90 | 1305870000 | 1306050000 | Klippon® POK 4 |
| Klippon® POK 122209 | 120 x 220 x 90 | 1305880000 | 1306070000 | Klippon® POK 5 |
| Klippon® POK 161609 | 160 x 160 x 90 | 1305890000 | 1306080000 | Klippon® POK 51 |
| Klippon® POK 162609 | 160 x 260 x 90 | 1305900000 | 1306090000 | Klippon® POK 6 |
| Klippon® POK 163609 | 160 x 360 x 90 | 1305910000 | 1306100000 | Klippon® POK 7 |
| Klippon® POK 165609 | 160 x 560 x 90 | 1305920000 | 1306110000 | Klippon® POK 71 |
| Klippon® POK 252512 | 250 x 255 x 120 | 1305930000 | 1306120000 | Klippon® POK 8 |
| Klippon® POK 252516 | 250 x 255 x 160.5 | 1305980000 | 1306170000 | Klippon® POK 9 |
| Klippon® POK 254012 | 250 x 400 x 120 | 1305940000 | 1306130000 | Klippon® POK 91 |
| Klippon® POK 254016 | 250 x 400 x 160.5 | 1305990000 | 1306180000 | Klippon® POK 10 |
| Klippon® POK 256012 | 250 x 600 x 120 | 1305950000 | 1306140000 | Klippon® POK 11 |
| Klippon® POK 404012 | 405 x 400 x 120 | 1305970000 | 1306150000 | Klippon® POK 12 |

Hinweis

Technical Overview

Technical data

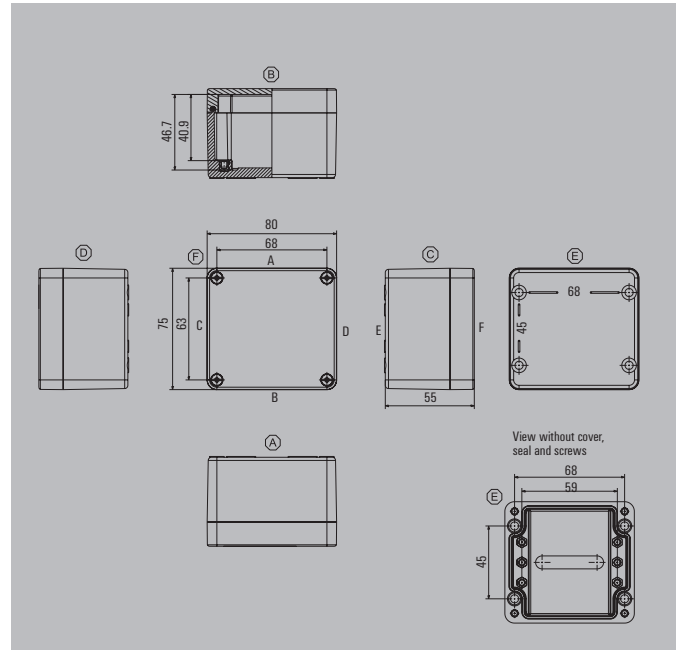
| | Ex | Standard |
|------------------------------|---|--|
| Enclosure material | Glass fibre-reinforced polyester to DIN 16913 with added graphite | Glass fibre-reinforced polyester to DIN 16913 |
| Surface | Black, similar to RAL 9011 | Grey, similar to RAL7001 |
| IP Rating | IP 66 to DIN EN 60529 | IP 66 to DIN EN 60529 |
| NEMA Rating | 4, 4x | 4, 4x |
| Equipment mounting | M4 to M6 threaded bushes | M4 to M6 threaded bushes |
| Enclosure mounting | 4 holes for M4 to M6 screw | 4 holes for M4 to M6 screw |
| Lid fixing | M4/M6 slothead / crosshead screws from stainless steel | M4/M6 slothead / crosshead screws from stainless steel |
| Impact Resistance | 7J to IEC 60029-0 | IK08 (5J) to DIN EN 50102 |
| Gasket material | Silicone (VMQ) | Chloroprene |
| Temperature range | -55 °C...+100 °C | -40 °C...+100 °C |
| Torque screws of lid M4 | 2.0 - 2.5 Nm | 2.0 - 2.5 Nm |
| Torque screws of lid M6 | 2.5 - 3.0 Nm | 2.5 - 3.0 Nm |
| Surface resistance (in ohms) | < 10 ⁹ Ohm | 10 ¹² Ohm |
| Flammability | UL 94 V0, self extinguishing | UL 94 V0, self extinguishing |
| Toxicity | Halogen and cadmium-free | Halogen and cadmium-free |
| Note | | |

Approvals for empty enclosures

| | Ex | Standard |
|---------------------------|---|-------------------|
| ATEX certificate | IBExU13ATEX1003 U | |
| ATEX marking | ⊕ II 2G Ex e IIC Gb or ⊕ II 2G Ex eb IIC ⊕ II 2D Ex tb IIIC Db or ⊕ II 2D Ex tb IIIC | |
| IECEX certificate | IECEX IBE 13.0003U | |
| IECEX marking | Ex e IIC Gb or Ex eb IIC Ex tb IIIC Db or Ex tb IIIC | |
| EAC | RUC-DE.08.B.00472 | RUC-DE.08.B.00472 |
| cULus | E 256877 | E 256877 |
| Lloyd's Register | 14/20001 | 14/20001 |
| Russian Maritime Register | 19.00109.272 | |
| DNV GL | TAE00002R2 | TAE00002R2 |
| AEx | E223792 | |
| Note | | |

Approvals terminal enclosures

| | | | |
|-------------------|--|-----------------|--|
| ATEX certificate | IBExU13ATEX1004 X | | |
| ATEX marking | ⊕ II 2G Ex e IIC T6...T5 Gb or ⊕ II 2G Ex eb IIC T6...T5 ⊕ II 1G Ex ia IIC T6...T5 Ga or ⊕ II 1G Ex ia IIC T6...T5 ⊕ II 2(1)G Ex e ia IIC T6...T5 Gb or ⊕ II 2(1)G Ex eb ia IIC T6...T5 ⊕ II 2D Ex tb IIIC T 85 °C...100 °C Db or ⊕ II 2D Ex tb IIIC T 85 °C...100 °C | | |
| IECEX certificate | IECEX IBE 13.0004X | | |
| IECEX marking | Ex e IIC T6...T5 Gb or Ex eb IIC T6...T5 Ex ia IIC T6...T5 Ga or Ex ia IIC T6...T5 Ex e ia IIC T6...T5 Gb or Ex eb ia IIC T6...T5 Ex tb IIIC T 85 °C...100 °C Db or Ex tb IIIC T 85 °C...100 °C | | |
| EAC certificate | RUC-DE.08.B.01328 | AEx certificate | E223792 |
| EAC marking | II 2 G Ex eb IIC T6/T5 II 2 G Ex e IIC T6/T5 Gb II 1 G Ex ia IIC T6/T5 II 1 G Ex ia IIC T6/T5 Ga II 2(1) G Ex eb ia IIC T6/T5 II 2(1) G Ex e ia IIC T6/T5 Gb II 2 D Ex tb IIIC T 85 °C...100 °C II 2 D Ex tb IIIC T 85 °C...100 °C Db | AEx marking | Class I, Zone 1, AEx e IIC Gb T6..T4 Class I, Zone 2, AEx e IIC Gc T6..T4 Class I Div.2 Group A,B,C,D T6...T4 Class II Div.2 Group F,G Zone 21, AEx tb IIIC Db |
| KOSHA certificate | 16-AV4B0-246X | | |
| KOSHA marking | Ex e IIC T6...T5 Gb or Ex eb IIC T6...T5 Ex ia IIC T6...T5 Ga or Ex ia IIC T6...T5 Ex e ia IIC T6...T5 Gb or Ex eb ia IIC T6...T5 Ex tb IIIC T 85 °C...100 °C Db or Ex tb IIIC T 85 °C...100 °C | | |
| Note | If you have specific requirements for installations within potentially explosive atmospheres, please contact Weidmüller for a copy of the approval certificates. For details of power dissipation, please contact your Weidmüller representative. | | |



Height / Width / Depth 75 / 80 / 55 mm

Ordering data

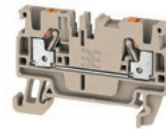
| RAL 7001 | Standard | Order No. |
|-------------|---|------------|
| | | 1305810000 |
| RAL 9011 | Ex enclosure | Order No. |
| | | 1306000000 |
| Note | The overview page lists the ambient temperatures. | |

Accessories

| Mounting plates and fastening screws | Order No. |
|--|------------|
| Steel sheet, zinc plated | 9510570000 |
| Steel sheet, galvanized for applications with earthing plate | 1534280000 |
| Fastening screws for mounting plates | 0642600000 |
| Mounting rails, TS15x5 | Order No. |
| Horizontally | 8000003889 |
| Brass Earth Continuity Plate | Order No. |
| Brass | 1390910000 |
| External mounting feet, set of 4 | Order No. |
| Stainless steel 1.4301 natural | 9510900000 |
| Earthing stud | Order No. |
| Brass, M10 | 1277220000 |
| Stainless steel 1.4404, M10 | 1283440000 |
| Brass, M6 | 1277250000 |
| Stainless steel 1.4404, M6 | 1283430000 |
| Pressure compensation elements | Order No. |
| Polyamide 6, M12 | 1868570000 |
| Stainless steel 1.4305, M12 | 1868550000 |
| Stainless steel 1.4404, M20 for Ex applications | 2519570000 |

Guide value for max. number of terminals (industry)

| Assembly with terminal | vertical | horizontal |
|------------------------|----------|------------|
| 2.5 mm ² | 1x1* | 1x5 |
| 4 mm ² | 1x1* | 1x4 |
| 6 mm ² | | |
| 10 mm ² | | |
| 16 mm ² | | |



Note * Please refer to the Terminal Block catalogue or the SAK Series for more information about assembling the enclosures with terminal blocks. We recommend a maximum of one BK 6, e.g. BK 6 CRN (0625220000), for vertical installation. There are no specified mounting options available for mounting the enclosure in a vertical position.
 Order recommendations:
 TS 35 mounting rail with WDU clamping yoke technology, ZDU spring-cage terminal block or A2C PUSH IN technology
 TS 32 mounting rail with clamping yoke technology SAK
 TS 15 mounting rail with clamping yoke technology AKZ
 Ordering information for the terminal blocks, please refer to the online catalogue.

Guide value for max. number of cable entries

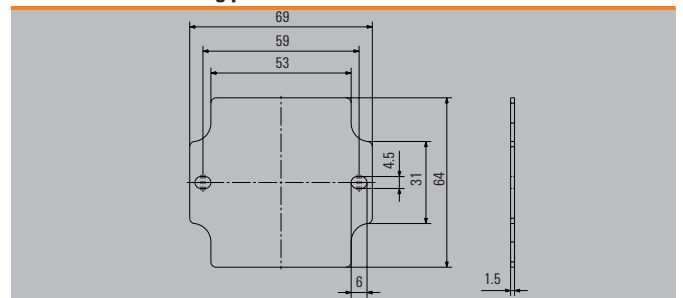
| Guide value for max. number of cable entries | A / B | C / D |
|--|-------|-------|
| M12 | 4 | 1 |
| M16 | 2 | 1 |
| M20 | 1 | 1 |
| M25 | 1 | |
| M32 | | |
| M40 | | |
| M50 | | |
| M63 | | |

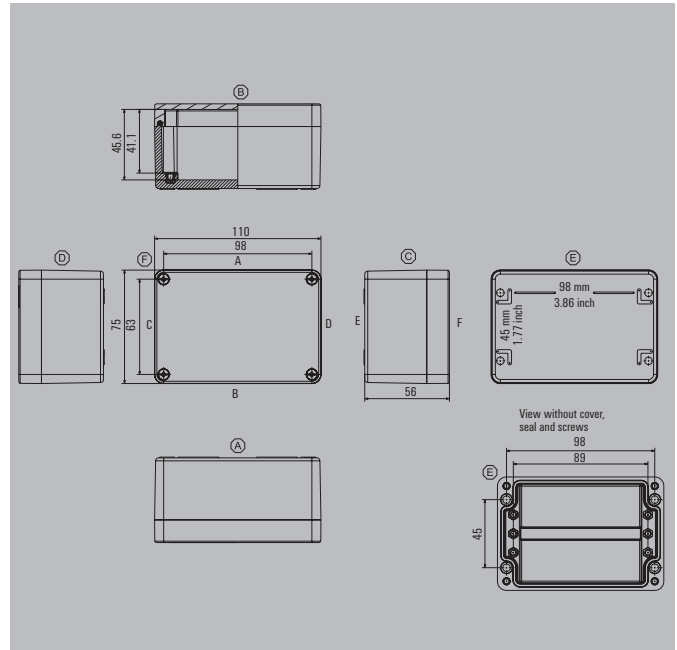


Note ** Our IP 68 plastic cable glands are used as the reference for these guideline values.

Note

Dimensions of mounting plate





Height / Width / Depth 75 / 110 / 56 mm

Ordering data

| RAL 7001 | Standard | Order No. |
|----------|--------------|------------|
| | | 1305820000 |
| RAL 9011 | Ex enclosure | Order No. |
| | | 1306010000 |

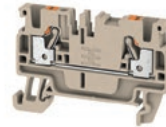
Note The overview page lists the ambient temperatures.

Accessories

| Mounting plates and fastening screws | Order No. |
|--|------------|
| Steel sheet, zinc plated | 9510580000 |
| Steel sheet, galvanized for applications with earthing plate | 1534290000 |
| Fastening screws for mounting plates | 0642600000 |
| Mounting rails, TS15x5 | Order No. |
| Horizontally | 8000003890 |
| Brass Earth Continuity Plate | Order No. |
| Brass | 1390920000 |
| External mounting feet, set of 4 | Order No. |
| Stainless steel 1.4301 natural | 9510900000 |
| Earthing stud | Order No. |
| Brass, M10 | 1277220000 |
| Stainless steel 1.4404, M10 | 1283440000 |
| Brass, M6 | 1277250000 |
| Stainless steel 1.4404, M6 | 1283430000 |
| Pressure compensation elements | Order No. |
| Polyamide 6, M12 | 1868570000 |
| Stainless steel 1.4305, M12 | 1868550000 |
| Stainless steel 1.4404, M20 for Ex applications | 2519570000 |

Guide value for max. number of terminals (industry)

| Assembly with terminal | vertical | horizontal |
|------------------------|----------|------------|
| 2.5 mm ² | 1x1* | 1x10 |
| 4 mm ² | 1x1* | 1x9 |
| 6 mm ² | | |
| 10 mm ² | | |
| 16 mm ² | | |



Note

* Please refer to the Terminal Block catalogue or the SAK Series for more information about assembling the enclosures with terminal blocks. We recommend a maximum of one BK 6, e.g. BK 6 CRN (0625220000), for vertical installation. There are no specified mounting options available for mounting the enclosure in a vertical position.
 Order recommendations:
 TS 35 mounting rail with WDU clamping yoke technology, ZDU spring-cage terminal block or A2C PUSH IN technology
 TS 32 mounting rail with clamping yoke technology SAK
 TS 15 mounting rail with clamping yoke technology AKZ
 Ordering information for the terminal blocks, please refer to the online catalogue.

Guide value for max. number of cable entries

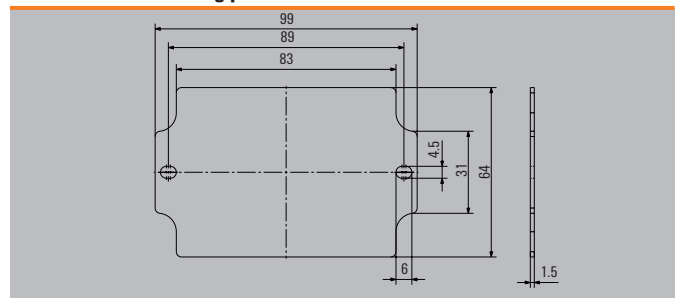
| Guide value for max. number of cable entries | A / B | C / D |
|--|-------|-------|
| M12 | 7 | 1 |
| M16 | 3 | 1 |
| M20 | 2 | 1 |
| M25 | 2 | |
| M32 | | |
| M40 | | |
| M50 | | |
| M63 | | |



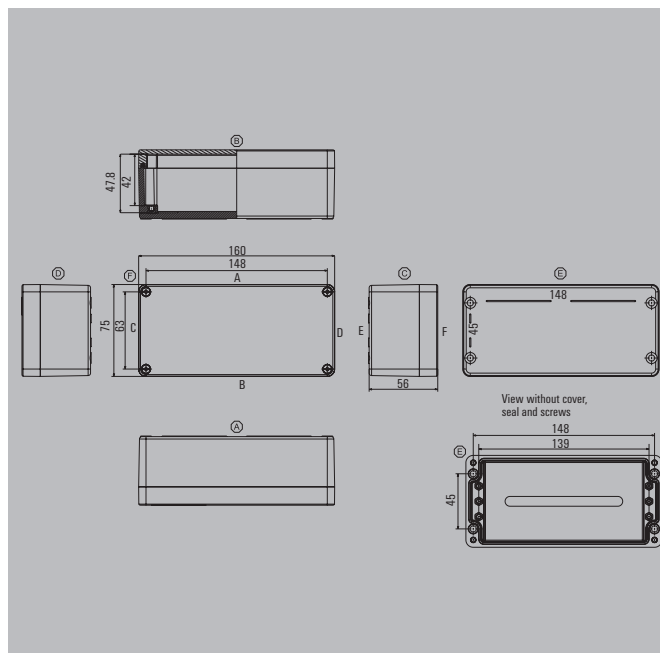
Note

** Our IP 68 plastic cable glands are used as the reference for these guideline values.

Dimensions of mounting plate



Note



Height / Width / Depth 75 / 160 / 56 mm

Ordering data

| RAL 7001 | Standard | Order No. |
|----------|--------------|------------|
| | | 1305830000 |
| RAL 9011 | Ex enclosure | Order No. |
| | | 1306020000 |

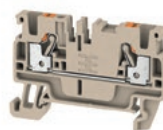
Note The overview page lists the ambient temperatures.

Accessories

| Mounting plates and fastening screws | Order No. |
|--|------------|
| Steel sheet, zinc plated | 9510680000 |
| Steel sheet, galvanized for applications with earthing plate | 1534310000 |
| Fastening screws for mounting plates | 0642600000 |
| Mounting rails, TS15x5 | Order No. |
| Horizontally | 8000003891 |
| Brass Earth Continuity Plate | Order No. |
| Brass | 1390930000 |
| External mounting feet, set of 4 | Order No. |
| Stainless steel 1.4301 natural | 9510900000 |
| Earthing stud | Order No. |
| Brass, M10 | 1277220000 |
| Stainless steel 1.4404, M10 | 1283440000 |
| Brass, M6 | 1277250000 |
| Stainless steel 1.4404, M6 | 1283430000 |
| Pressure compensation elements | Order No. |
| Polyamide 6, M12 | 1868570000 |
| Stainless steel 1.4305, M12 | 1868550000 |
| Stainless steel 1.4404, M20 for Ex applications | 2519570000 |

Guide value for max. number of terminals (industry)

| Assembly with terminal | vertical | horizontal |
|------------------------|----------|------------|
| 2.5 mm ² | * | 1x20 |
| 4 mm ² | * | 1x17 |
| 6 mm ² | | |
| 10 mm ² | | |
| 16 mm ² | | |



Note * Please refer to the Terminal Block catalogue or the SAK Series for more information about assembling the enclosures with terminal blocks. We recommend a maximum of one BK 6, e.g. BK 6 CRN (0625220000), for vertical installation. There are no specified mounting options available for mounting the enclosure in a vertical position.
 Order recommendations:
 TS 35 mounting rail with WDU clamping yoke technology, ZDU spring-cage terminal block or A2C PUSH IN technology
 TS 32 mounting rail with clamping yoke technology SAK
 TS 15 mounting rail with clamping yoke technology AKZ
 Ordering information for the terminal blocks, please refer to the online catalogue.

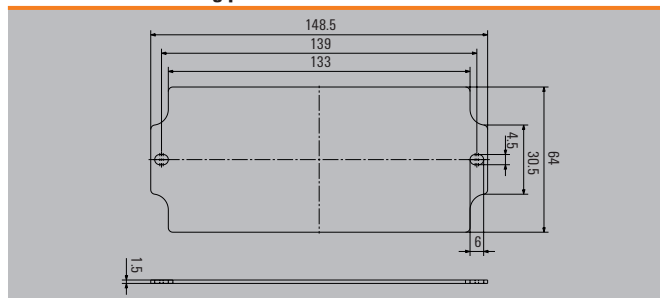
Guide value for max. number of cable entries

| Guide value for max. number of cable entries | A / B | C / D |
|--|-------|-------|
| M12 | 11 | 1 |
| M16 | 5 | 1 |
| M20 | 4 | 1 |
| M25 | 3 | |
| M32 | | |
| M40 | | |
| M50 | | |
| M63 | | |



Note ** Our IP 68 plastic cable glands are used as the reference for these guideline values.

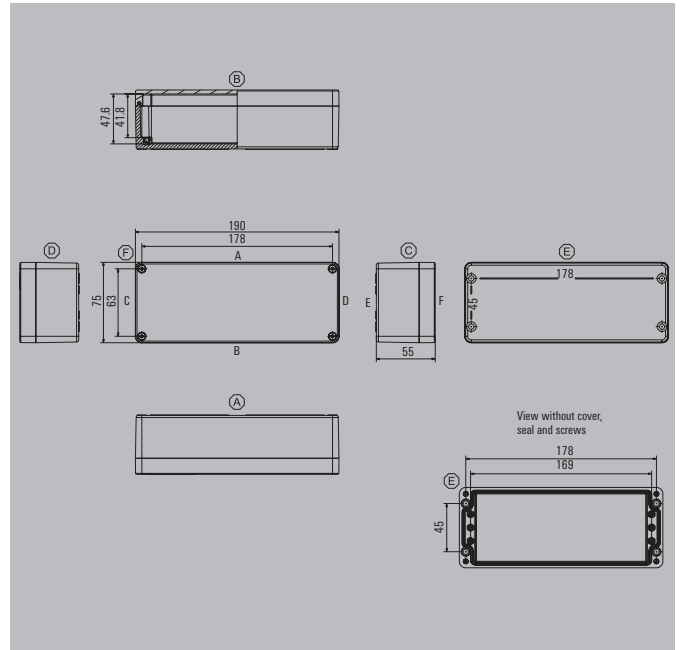
Dimensions of mounting plate



Note

Klippon® POK 081906

Depth 55 mm



Height / Width / Depth 75 / 190 / 55 mm

Ordering data

| RAL 7001 | Standard | Order No. |
|----------|--------------|------------|
| | | 1305840000 |
| RAL 9011 | Ex enclosure | Order No. |
| | | 1306030000 |

Note The overview page lists the ambient temperatures.

Accessories

| Mounting plates and fastening screws | Order No. |
|--|------------|
| Steel sheet, zinc plated | 9510690000 |
| Steel sheet, galvanized for applications with earthing plate | 1534320000 |
| Fastening screws for mounting plates | 0642600000 |
| Mounting rails, TS15x5 | Order No. |
| Horizontally | 8000003892 |
| Brass Earth Continuity Plate | Order No. |
| Brass | 1390940000 |
| External mounting feet, set of 4 | Order No. |
| Stainless steel 1.4301 natural | 9510900000 |
| Earthing stud | Order No. |
| Brass, M10 | 1277220000 |
| Stainless steel 1.4404, M10 | 1283440000 |
| Brass, M6 | 1277250000 |
| Stainless steel 1.4404, M6 | 1283430000 |
| Pressure compensation elements | Order No. |
| Polyamide 6, M12 | 1868570000 |
| Stainless steel 1.4305, M12 | 1868550000 |
| Stainless steel 1.4404, M20 for Ex applications | 2519570000 |

Guide value for max. number of terminals (industry)

| Assembly with terminal | vertical | horizontal |
|------------------------|----------|------------|
| 2.5 mm ² | * | 1x26 |
| 4 mm ² | * | 1x22 |
| 6 mm ² | | |
| 10 mm ² | | |
| 16 mm ² | | |



Note * Please refer to the Terminal Block catalogue or the SAK Series for more information about assembling the enclosures with terminal blocks. We recommend a maximum of one BK 6, e.g. BK 6 CRN (0625220000), for vertical installation. There are no specified mounting options available for mounting the enclosure in a vertical position.
 Order recommendations:
 TS 35 mounting rail with WDU clamping yoke technology, ZDU spring-cage terminal block or A2C PUSH IN technology
 TS 32 mounting rail with clamping yoke technology SAK
 TS 15 mounting rail with clamping yoke technology AKZ
 Ordering information for the terminal blocks, please refer to the online catalogue.

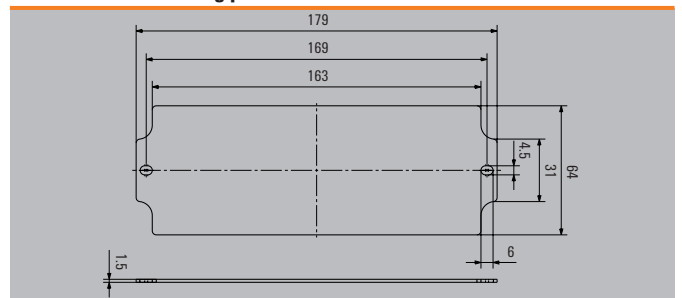
Guide value for max. number of cable entries

| Guide value for max. number of cable entries | A / B | C / D |
|--|-------|-------|
| M12 | 14 | 1 |
| M16 | 6 | 1 |
| M20 | 5 | 1 |
| M25 | 4 | |
| M32 | | |
| M40 | | |
| M50 | | |
| M63 | | |

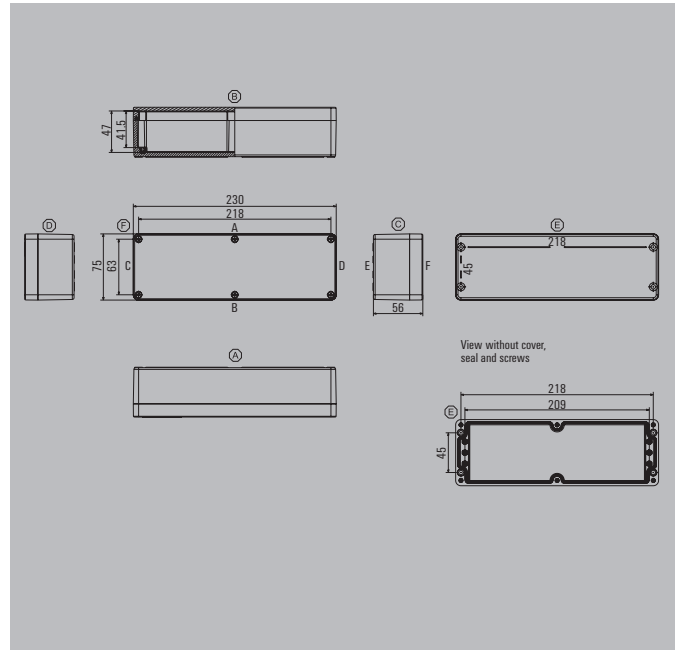


Note ** Our IP 68 plastic cable glands are used as the reference for these guideline values.

Dimensions of mounting plate



Note



View without cover, seal and screws

Height / Width / Depth 75 / 230 / 56 mm

Ordering data

| RAL 7001 | Standard | Order No. |
|----------|--------------|------------|
| | | 1305850000 |
| RAL 9011 | Ex enclosure | Order No. |
| | | 1306040000 |

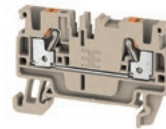
Note The overview page lists the ambient temperatures.

Accessories

| Mounting plates and fastening screws | Order No. |
|--|------------|
| Steel sheet, galvanized for applications with earthing plate | 1534330000 |
| Fastening screws for mounting plates | 0642600000 |
| Mounting rails, TS15x5 | Order No. |
| Horizontally | 8000032382 |
| Brass Earth Continuity Plate | Order No. |
| Brass | 1390950000 |
| External mounting feet, set of 4 | Order No. |
| Stainless steel 1.4301 natural | 9510900000 |
| Earthing stud | Order No. |
| Brass, M10 | 1277220000 |
| Stainless steel 1.4404, M10 | 1283440000 |
| Brass, M6 | 1277250000 |
| Stainless steel 1.4404, M6 | 1283430000 |
| Pressure compensation elements | Order No. |
| Polyamide 6, M12 | 1868570000 |
| Stainless steel 1.4305, M12 | 1868550000 |
| Stainless steel 1.4404, M20 for Ex applications | 2519570000 |

Guide value for max. number of terminals (industry)

| Assembly with terminal | vertical | horizontal |
|------------------------|----------|------------|
| 2.5 mm ² | * | 1x33 |
| 4 mm ² | * | 1x28 |
| 6 mm ² | | |
| 10 mm ² | | |
| 16 mm ² | | |



Note * Please refer to the Terminal Block catalogue or the SAK Series for more information about assembling the enclosures with terminal blocks. We recommend a maximum of one BK 6, e.g. BK 6 CRN (0625220000), for vertical installation. There are no specified mounting options available for mounting the enclosure in a vertical position.
 Order recommendations:
 TS 35 mounting rail with WDU clamping yoke technology, ZDU spring-cage terminal block or A2C PUSH IN technology
 TS 32 mounting rail with clamping yoke technology SAK
 TS 15 mounting rail with clamping yoke technology AKZ
 Ordering information for the terminal blocks, please refer to the online catalogue.

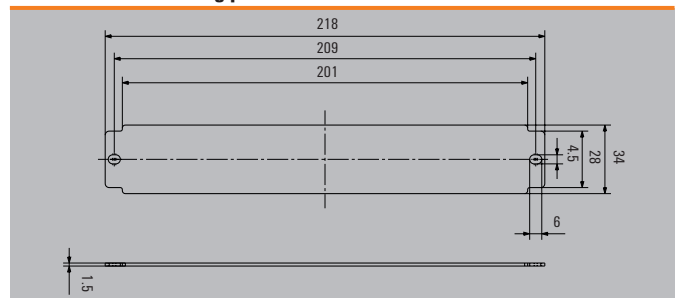
Guide value for max. number of cable entries

| Guide value for max. number of cable entries | A / B | C / D |
|--|-------|-------|
| M12 | 16 | 1 |
| M16 | 6 | 1 |
| M20 | 6 | 1 |
| M25 | 4 | |
| M32 | | |
| M40 | | |
| M50 | | |
| M63 | | |



Note ** Our IP 68 plastic cable glands are used as the reference for these guideline values.

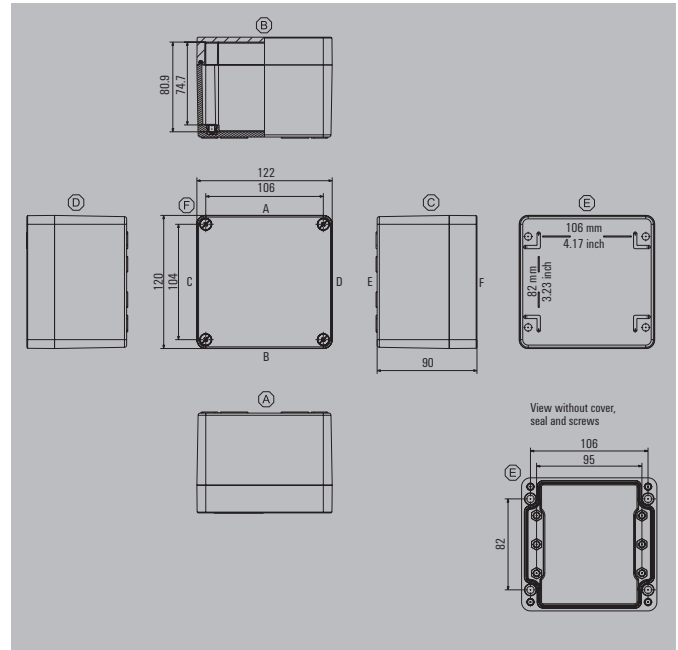
Dimensions of mounting plate



Note

Klippon® POK 121209

Depth 90 mm



Height / Width / Depth 120 / 122 / 90 mm

Ordering data

| RAL 7001 | Standard | Order No. |
|----------|--------------|-------------------|
| | | 1305870000 |
| RAL 9011 | Ex enclosure | Order No. |
| | | 1306050000 |

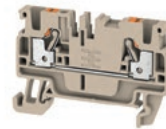
Note The overview page lists the ambient temperatures.

Accessories

| Mounting plates and fastening screws | Order No. |
|--|-------------------|
| Steel sheet, zinc plated | 9510590000 |
| Steel sheet, galvanized for applications with earthing plate | 1534340000 |
| Fastening screws for mounting plates | 0642600000 |
| Mounting rails, TS15x5 | Order No. |
| Horizontally | 8000003890 |
| Brass Earth Continuity Plate | Order No. |
| Brass | 1390970000 |
| External mounting feet, set of 4 | Order No. |
| Stainless steel 1.4301 natural | 9510910000 |
| Earthing stud | Order No. |
| Brass, M10 | 1277220000 |
| Stainless steel 1.4404, M10 | 1283440000 |
| Brass, M6 | 1277250000 |
| Stainless steel 1.4404, M6 | 1283430000 |
| Pressure compensation elements | Order No. |
| Polyamide 6, M12 | 1868570000 |
| Stainless steel 1.4305, M12 | 1868550000 |
| Stainless steel 1.4404, M20 for Ex applications | 2519570000 |

Guide value for max. number of terminals (industry)

| Assembly with terminal | vertical | horizontal |
|------------------------|----------|------------|
| 2.5 mm ² | * | 1x12 |
| 4 mm ² | * | 1x10 |
| 6 mm ² | | 1x7 |
| 10 mm ² | | 1x6 |
| 16 mm ² | | 1x5 |



Note The assembly with terminal rails is designed for direct mounting. The assembly with modular terminals gives consideration to a distance of 10 mm from the end of each mounting rail. Recommendations for ordering: TS 35 Mounting rail with clamping yoke technology WDU, spring-cage terminal block ZDU or PUSH IN technology AZC TS 32 Mounting rail with clamping yoke technology SAK TS 15 Mounting rail with clamping yoke technology AKZ Order information for rail-mounted terminal blocks, please refer to the online catalogue *There are no specified mounting options available for vertical mounting in the enclosure.

Guide value for max. number of cable entries

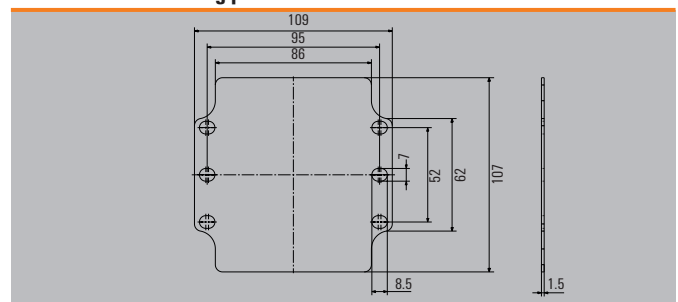
| Guide value for max. number of cable entries | A / B | C / D |
|--|-------|-------|
| M12 | 12 | 8 |
| M16 | 6 | 4 |
| M20 | 4 | 3 |
| M25 | 2 | 1 |
| M32 | 1 | 1 |
| M40 | | |
| M50 | | |
| M63 | | |

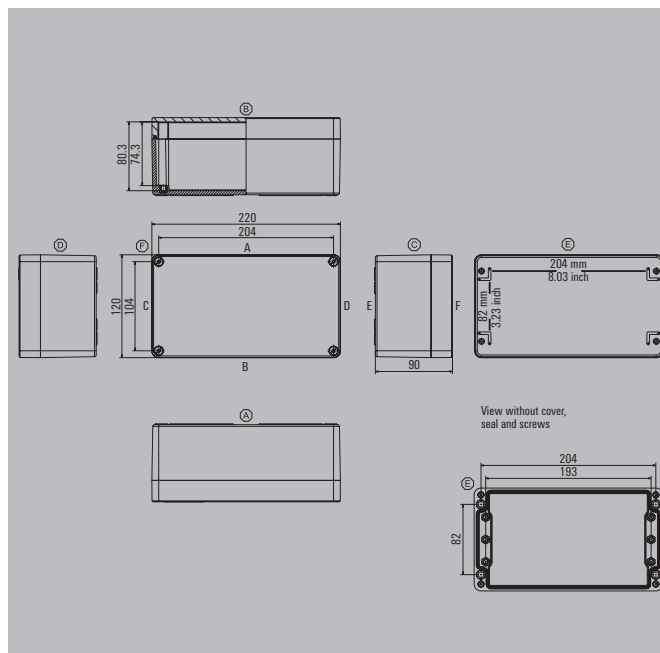


Note ** Our IP 68 plastic cable glands are used as the reference for these guideline values.

Note

Dimensions of mounting plate





Height / Width / Depth 120 / 220 / 90 mm

Ordering data

| RAL 7001 | Standard | Order No. |
|----------|--------------|------------|
| | | 1305880000 |
| RAL 9011 | Ex enclosure | Order No. |
| | | 1306070000 |

Note The overview page lists the ambient temperatures.

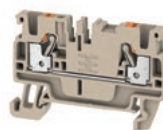
Accessories

| Mounting plates and fastening screws | Order No. |
|--|------------|
| Steel sheet, zinc plated | 9510600000 |
| Steel sheet, galvanized for applications with earthing plate | 1534350000 |
| Fastening screws for mounting plates | 0642600000 |
| Mounting rails, TS35x7.5 | Order No. |
| Horizontally | 8000037568 |
| Brass Earth Continuity Plate | Order No. |
| Brass | 1390980000 |
| External mounting feet, set of 4 | Order No. |
| Stainless steel 1.4301 natural | 9510910000 |
| Earthing stud | Order No. |
| Brass, M10 | 1277220000 |
| Stainless steel 1.4404, M10 | 1283440000 |
| Brass, M6 | 1277250000 |
| Stainless steel 1.4404, M6 | 1283430000 |
| Pressure compensation elements | Order No. |
| Polyamide 6, M12 | 1868570000 |
| Stainless steel 1.4305, M12 | 1868550000 |
| Stainless steel 1.4404, M20 for Ex applications | 2519570000 |

Note

Guide value for max. number of terminals (industry)

| Assembly with terminal | vertical | horizontal |
|------------------------|----------|------------|
| 2.5 mm ² | * | 1x31 |
| 4 mm ² | * | 1x26 |
| 6 mm ² | | 1x19 |
| 10 mm ² | | 1x15 |
| 16 mm ² | | 1x13 |



Note The assembly with terminal rails is designed for direct mounting. The assembly with modular terminals gives consideration to a distance of 10 mm from the end of each mounting rail. Recommendations for ordering: TS 35 Mounting rail with clamping yoke technology WDU, spring-cage terminal ZDU or PUSH IN technology AZC. Order information for rail-mounted terminal blocks, please refer to the online catalogue. *There are no specified mounting options available for vertical mounting in the enclosure.

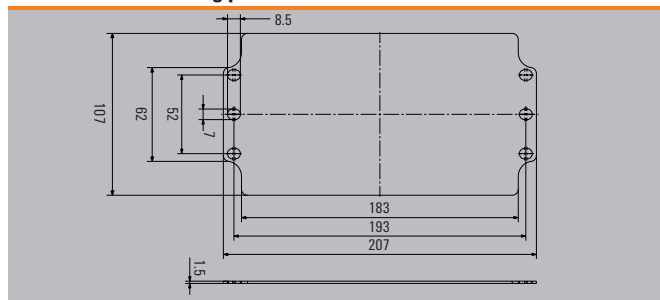
Guide value for max. number of cable entries

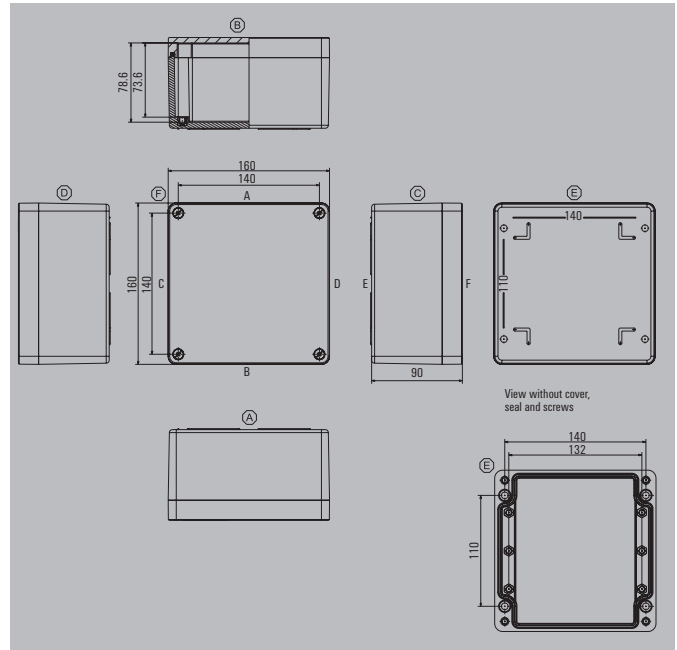
| Guide value for max. number of cable entries | A / B | C / D |
|--|-------|-------|
| M12 | 24 | 8 |
| M16 | 14 | 4 |
| M20 | 12 | 3 |
| M25 | 5 | 1 |
| M32 | 4 | 1 |
| M40 | 3 | |
| M50 | | |
| M63 | | |



Note ** Our IP 68 plastic cable glands are used as the reference for these guideline values.

Dimensions of mounting plate





Height / Width / Depth 160 / 160 / 90 mm

Ordering data

| RAL 7001 | Standard | Order No. |
|----------|---|------------|
| | | 1305890000 |
| RAL 9011 | Ex enclosure | Order No. |
| | | 1306080000 |
| Note | The overview page lists the ambient temperatures. | |

Accessories

| Mounting plates and fastening screws | Order No. |
|--|------------|
| Steel sheet, zinc plated | 9510610000 |
| Steel sheet, galvanized for applications with earthing plate | 1534360000 |
| Fastening screws for mounting plates | 0642600000 |
| Mounting rails, TS35x7.5 | Order No. |
| Horizontally | 8000003908 |
| Brass Earth Continuity Plate | Order No. |
| Brass | 1390990000 |
| External mounting feet, set of 4 | Order No. |
| Stainless steel 1.4301 natural | 9510910000 |
| Earthing stud | Order No. |
| Brass, M10 | 1277220000 |
| Stainless steel 1.4404, M10 | 1283440000 |
| Brass, M6 | 1277250000 |
| Stainless steel 1.4404, M6 | 1283430000 |
| Pressure compensation elements | Order No. |
| Polyamide 6, M12 | 1868570000 |
| Stainless steel 1.4305, M12 | 1868550000 |
| Stainless steel 1.4404, M20 for Ex applications | 2519570000 |

Guide value for max. number of terminals (industry)

| Assembly with terminal | vertical | horizontal |
|------------------------|----------|------------|
| 2.5 mm ² | * | 1x17 |
| 4 mm ² | * | 1x14 |
| 6 mm ² | | 1x11 |
| 10 mm ² | | 1x9 |
| 16 mm ² | | 1x7 |



Note
 The assembly with terminal rails is designed for direct mounting. The assembly with modular terminals gives consideration to a distance of 10 mm from the end of each mounting rail.
 Recommendations for ordering:
 TS 35 Mounting rail with clamping yoke technology WDU, spring-cage terminal ZDU or PUSH IN technology AZC
 Order information for rail-mounted terminal blocks, please refer to the online catalogue
 *There are no specified mounting options available for vertical mounting in the enclosure.

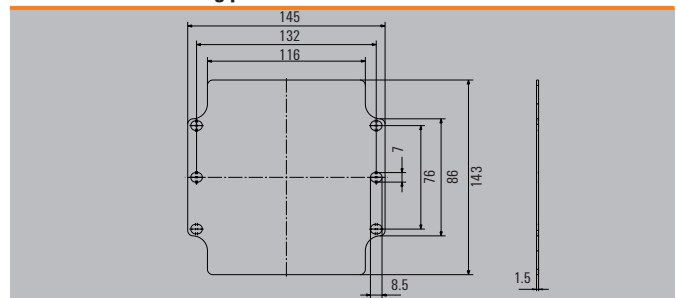
Guide value for max. number of cable entries

| Guide value for max. number of cable entries | A / B | C / D |
|--|-------|-------|
| M12 | 15 | 11 |
| M16 | 12 | 6 |
| M20 | 6 | 4 |
| M25 | 3 | 2 |
| M32 | 2 | 2 |
| M40 | 2 | 1 |
| M50 | | |
| M63 | | |

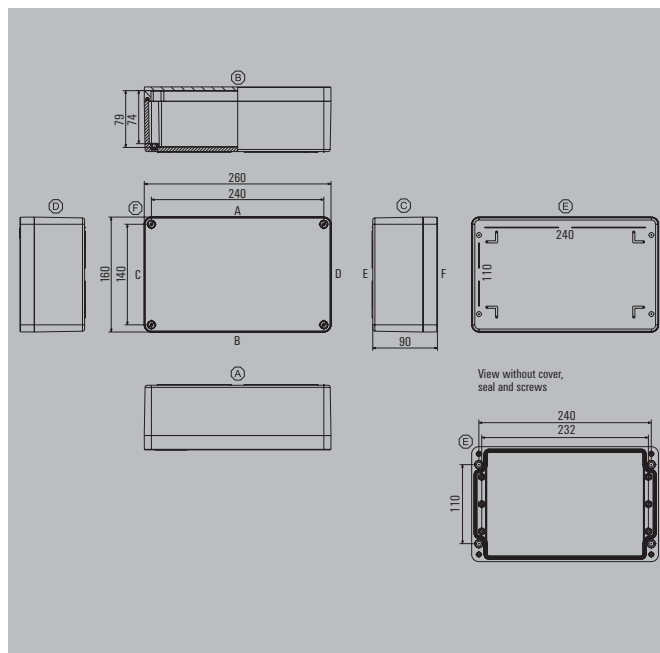


Note ** Our IP 68 plastic cable glands are used as the reference for these guideline values.

Dimensions of mounting plate



Note



Height / Width / Depth 160 / 260 / 90 mm

Ordering data

| RAL 7001 | Standard | Order No. |
|----------|--------------|------------|
| | | 1305900000 |
| RAL 9011 | Ex enclosure | Order No. |
| | | 1306090000 |

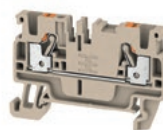
Note The overview page lists the ambient temperatures.

Accessories

| Mounting plates and fastening screws | Order No. |
|--|------------|
| Steel sheet, zinc plated | 9510620000 |
| Steel sheet, galvanized for applications with earthing plate | 1534370000 |
| Fastening screws for mounting plates | 0642600000 |
| Mounting rails, TS35x7.5 | Order No. |
| Horizontally | 8000003909 |
| Brass Earth Continuity Plate | Order No. |
| Brass | 1391000000 |
| External mounting feet, set of 4 | Order No. |
| Stainless steel 1.4301 natural | 9510910000 |
| Earthing stud | Order No. |
| Brass, M10 | 1277220000 |
| Stainless steel 1.4404, M10 | 1283440000 |
| Brass, M6 | 1277250000 |
| Stainless steel 1.4404, M6 | 1283430000 |
| Pressure compensation elements | Order No. |
| Polyamide 6, M12 | 1868570000 |
| Stainless steel 1.4305, M12 | 1868550000 |
| Stainless steel 1.4404, M20 for Ex applications | 2519570000 |

Guide value for max. number of terminals (industry)

| Assembly with terminal | vertical | horizontal |
|------------------------|----------|------------|
| 2.5 mm ² | * | 1x36 |
| 4 mm ² | * | 1x30 |
| 6 mm ² | | 1x23 |
| 10 mm ² | | 1x16 |
| 16 mm ² | | 1x16 |



Note The assembly with terminal rails is designed for direct mounting. The assembly with modular terminals gives consideration to a distance of 10 mm from the end of each mounting rail. Recommendations for ordering: TS 35 Mounting rail with clamping yoke technology WDU, spring-cage terminal ZDU or PUSH IN technology AZC. Order information for rail-mounted terminal blocks, please refer to the online catalogue. *There are no specified mounting options available for vertical mounting in the enclosure.

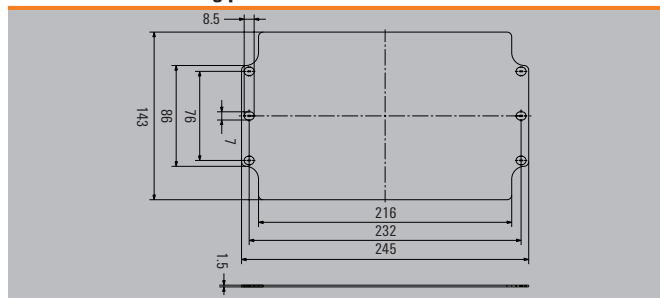
Guide value for max. number of cable entries

| Guide value for max. number of cable entries | A / B | C / D |
|--|-------|-------|
| M12 | 30 | 11 |
| M16 | 24 | 6 |
| M20 | 14 | 4 |
| M25 | 5 | 2 |
| M32 | 4 | 2 |
| M40 | 3 | 1 |
| M50 | | |
| M63 | | |

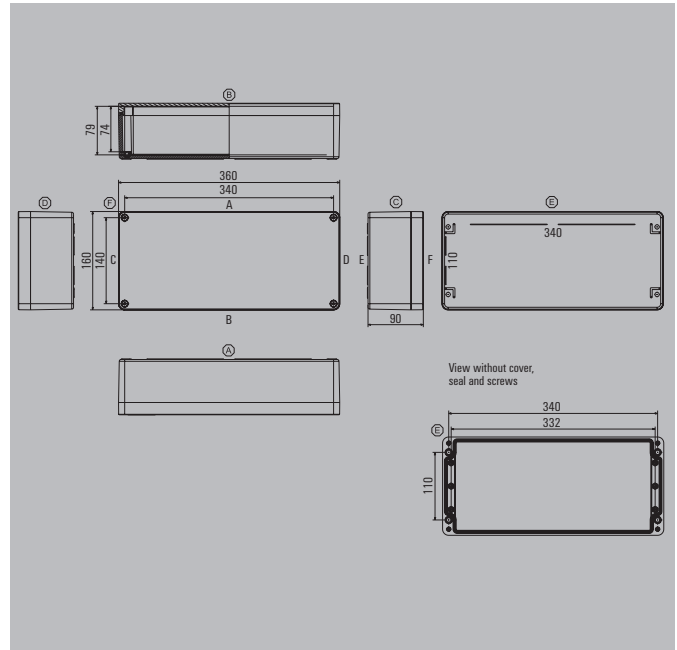


Note ** Our IP 68 plastic cable glands are used as the reference for these guideline values.

Dimensions of mounting plate



Note



Height / Width / Depth 160 / 360 / 90 mm

Ordering data

| RAL 7001 | Standard | Order No. |
|----------|--------------|-------------------|
| | | 1305910000 |
| RAL 9011 | Ex enclosure | Order No. |
| | | 1306100000 |

Note The overview page lists the ambient temperatures.

Accessories

| Mounting plates and fastening screws | Order No. |
|--|-------------------|
| Steel sheet, zinc plated | 9510630000 |
| Steel sheet, galvanized for applications with earthing plate | 1534380000 |
| Fastening screws for mounting plates | 0642600000 |
| Mounting rails, TS35x7.5 | Order No. |
| Horizontally | 8000003910 |
| Brass Earth Continuity Plate | Order No. |
| Brass | 1391010000 |
| External mounting feet, set of 4 | Order No. |
| Stainless steel 1.4301 natural | 9510910000 |
| Earthing stud | Order No. |
| Brass, M10 | 1277220000 |
| Stainless steel 1.4404, M10 | 1283440000 |
| Brass, M6 | 1277250000 |
| Stainless steel 1.4404, M6 | 1283430000 |
| Pressure compensation elements | Order No. |
| Polyamide 6, M12 | 1868570000 |
| Stainless steel 1.4305, M12 | 1868550000 |
| Stainless steel 1.4404, M20 for Ex applications | 2519570000 |

Guide value for max. number of terminals (industry)

| Assembly with terminal | vertical | horizontal |
|------------------------|----------|------------|
| 2.5 mm ² | * | 1x56 |
| 4 mm ² | * | 1x47 |
| 6 mm ² | | 1x36 |
| 10 mm ² | | 1x29 |
| 16 mm ² | | 1x24 |



Note The assembly with terminal rails is designed for direct mounting. The assembly with modular terminals gives consideration to a distance of 10 mm from the end of each mounting rail. Recommendations for ordering: TS 35 Mounting rail with clamping yoke technology WDU, spring-cage terminal ZDU or PUSH IN technology AZC. Order information for rail-mounted terminal blocks, please refer to the online catalogue. *There are no specified mounting options available for vertical mounting in the enclosure.

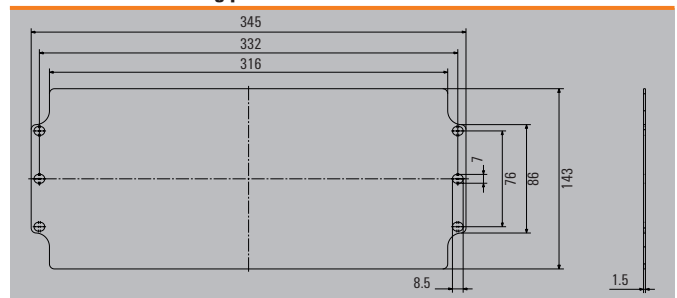
Guide value for max. number of cable entries

| Guide value for max. number of cable entries | A / B | C / D |
|--|-------|-------|
| M12 | 45 | 11 |
| M16 | 36 | 6 |
| M20 | 20 | 4 |
| M25 | 8 | 2 |
| M32 | 6 | 2 |
| M40 | 5 | 1 |
| M50 | | |
| M63 | | |

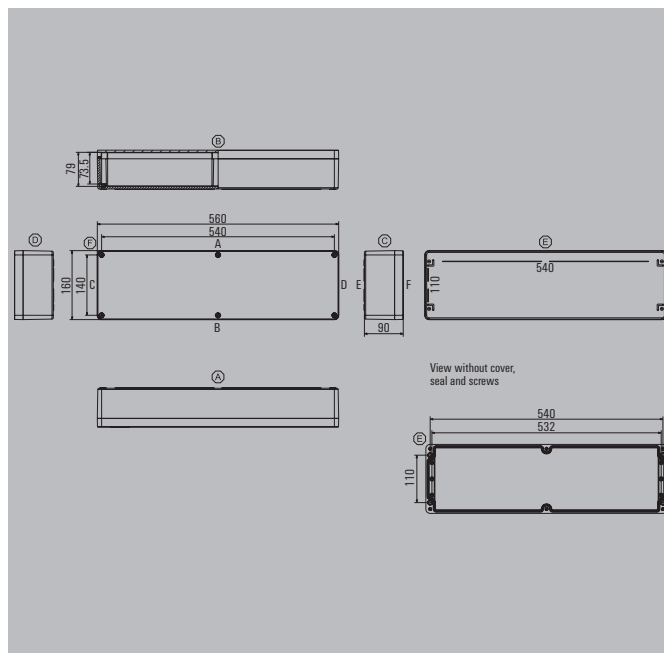


Note ** Our IP 68 plastic cable glands are used as the reference for these guideline values.

Dimensions of mounting plate



Note



Height / Width / Depth 160 / 560 / 90 mm

Ordering data

| RAL 7001 | Standard | Order No. |
|----------|--------------|------------|
| | | 1305920000 |
| RAL 9011 | Ex enclosure | Order No. |
| | | 1306110000 |

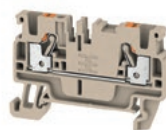
Note The overview page lists the ambient temperatures.

Accessories

| Mounting plates and fastening screws | Order No. |
|--|------------|
| Steel sheet, zinc plated | 9510710000 |
| Steel sheet, galvanized for applications with earthing plate | 1534390000 |
| Fastening screws for mounting plates | 0642600000 |
| Mounting rails, TS35x7.5 | Order No. |
| Horizontally | 8000003911 |
| Brass Earth Continuity Plate | Order No. |
| Brass | 1391020000 |
| External mounting feet, set of 4 | Order No. |
| Stainless steel 1.4301 natural | 9510910000 |
| Earthing stud | Order No. |
| Brass, M10 | 1277220000 |
| Stainless steel 1.4404, M10 | 1283440000 |
| Brass, M6 | 1277250000 |
| Stainless steel 1.4404, M6 | 1283430000 |
| Pressure compensation elements | Order No. |
| Polyamide 6, M12 | 1868570000 |
| Stainless steel 1.4305, M12 | 1868550000 |
| Stainless steel 1.4404, M20 for Ex applications | 2519570000 |

Guide value for max. number of terminals (industry)

| Assembly with terminal | vertical | horizontal |
|------------------------|----------|------------|
| 2.5 mm ² | * | 1x94 |
| 4 mm ² | * | 1x79 |
| 6 mm ² | | 1x60 |
| 10 mm ² | | 1x49 |
| 16 mm ² | | 1x41 |



Note The assembly with terminal rails is designed for direct mounting. The assembly with modular terminals gives consideration to a distance of 10 mm from the end of each mounting rail. Recommendations for ordering: TS 35 Mounting rail with clamping yoke technology WDU, spring-cage terminal ZDU or PUSH IN technology AZC. Order information for rail-mounted terminal blocks, please refer to the online catalogue. *There are no specified mounting options available for vertical mounting in the enclosure.

Guide value for max. number of cable entries

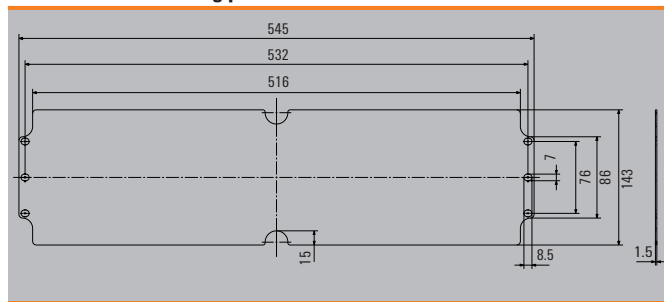
| Guide value for max. number of cable entries | A / B | C / D |
|--|-------|-------|
| M12 | 66 | 11 |
| M16 | 58 | 6 |
| M20 | 32 | 4 |
| M25 | 12 | 2 |
| M32 | 10 | 2 |
| M40 | 8 | 1 |
| M50 | | |
| M63 | | |

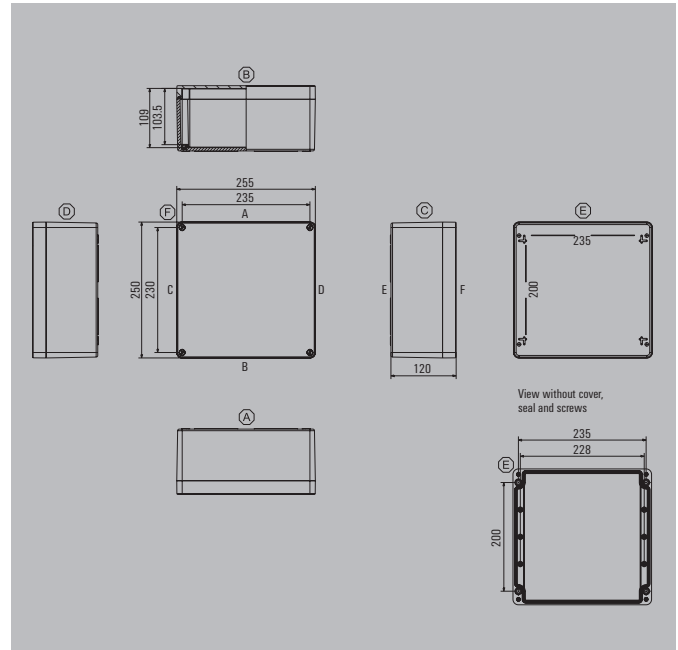


Note ** Our IP 68 plastic cable glands are used as the reference for these guideline values.

Note

Dimensions of mounting plate





Height / Width / Depth 250 / 255 / 120 mm

Ordering data

| RAL 7001 | Standard | Order No. |
|----------|--------------|------------|
| | | 1305930000 |
| RAL 9011 | Ex enclosure | Order No. |
| | | 1306120000 |

Note The overview page lists the ambient temperatures.

Accessories

| Mounting plates and fastening screws | Order No. |
|--|------------|
| Steel sheet, zinc plated | 9510640000 |
| Steel sheet, galvanized for applications with earthing plate | 1534410000 |
| Fastening screws for mounting plates | 0642600000 |
| Mounting rails, TS35x7.5 | Order No. |
| Horizontally | 8000003912 |
| Brass Earth Continuity Plate | Order No. |
| Brass | 1391030000 |
| External mounting feet, set of 4 | Order No. |
| Stainless steel 1.4301 natural | 9510910000 |
| Earthing stud | Order No. |
| Brass, M10 | 1277220000 |
| Stainless steel 1.4404, M10 | 1283440000 |
| Brass, M6 | 1277250000 |
| Stainless steel 1.4404, M6 | 1283430000 |
| Pressure compensation elements | Order No. |
| Polyamide 6, M12 | 1868570000 |
| Stainless steel 1.4305, M12 | 1868550000 |
| Stainless steel 1.4404, M20 for Ex applications | 2519570000 |

Guide value for max. number of terminals (industry)

| Assembly with terminal | vertical | horizontal |
|------------------------|----------|------------|
| 2.5 mm ² | * | 2x38 |
| 4 mm ² | * | 2x31 |
| 6 mm ² | | 2x23 |
| 10 mm ² | | 2x19 |
| 16 mm ² | | 2x15 |



Note The assembly with terminal rails is designed for direct mounting. The assembly with modular terminals gives consideration to a distance of 10 mm from the end of each mounting rail. Recommendations for ordering: TS 35 Mounting rail with clamping yoke technology WDU, spring-cage terminal ZDU or PUSH IN technology AZC. Order information for rail-mounted terminal blocks, please refer to the online catalogue. *There are no specified mounting options available for vertical mounting in the enclosure.

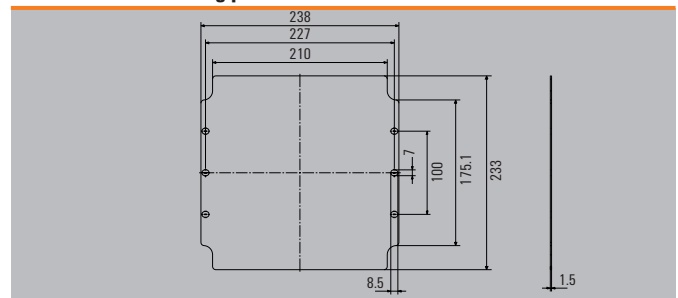
Guide value for max. number of cable entries

| Guide value for max. number of cable entries | A / B | C / D |
|--|-------|-------|
| M12 | 36 | 32 |
| M16 | 32 | 21 |
| M20 | 10 | 15 |
| M25 | 10 | 8 |
| M32 | 8 | 3 |
| M40 | 3 | 3 |
| M50 | 2 | 2 |
| M63 | | |

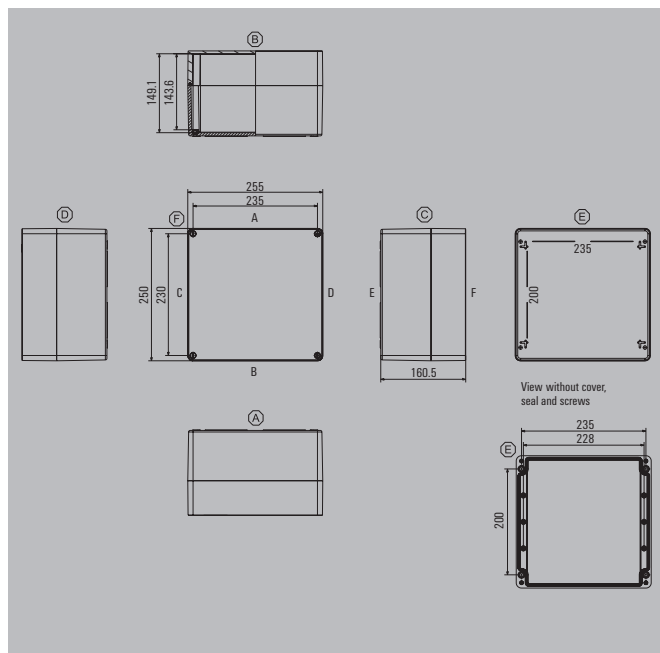


Note ** Our IP 68 plastic cable glands are used as the reference for these guideline values.

Dimensions of mounting plate



Note



Height / Width / Depth 250 / 255 / 160.5 mm

Ordering data

| RAL 7001 | Standard | Order No. |
|----------|--------------|------------|
| | | 1305980000 |
| RAL 9011 | Ex enclosure | Order No. |
| | | 1306170000 |

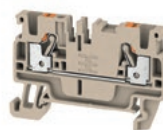
Note The overview page lists the ambient temperatures.

Accessories

| Mounting plates and fastening screws | Order No. |
|--|------------|
| Steel sheet, zinc plated | 9510640000 |
| Steel sheet, galvanized for applications with earthing plate | 1534410000 |
| Fastening screws for mounting plates | 0642600000 |
| Mounting rails, TS35x7.5 | Order No. |
| Horizontally | 8000003912 |
| Brass Earth Continuity Plate | Order No. |
| Brass | 1391030000 |
| External mounting feet, set of 4 | Order No. |
| Stainless steel 1.4301 natural | 9510910000 |
| Earthing stud | Order No. |
| Brass, M10 | 1277220000 |
| Stainless steel 1.4404, M10 | 1283440000 |
| Brass, M6 | 1277250000 |
| Stainless steel 1.4404, M6 | 1283430000 |
| Pressure compensation elements | Order No. |
| Polyamide 6, M12 | 1868570000 |
| Stainless steel 1.4305, M12 | 1868550000 |
| Stainless steel 1.4404, M20 for Ex applications | 2519570000 |

Guide value for max. number of terminals (industry)

| Assembly with terminal | vertical | horizontal |
|------------------------|----------|------------|
| 2.5 mm ² | * | 2x38 |
| 4 mm ² | * | 2x31 |
| 6 mm ² | | 2x23 |
| 10 mm ² | | 2x19 |
| 16 mm ² | | 2x15 |



Note The assembly with terminal rails is designed for direct mounting. The assembly with modular terminals gives consideration to a distance of 10 mm from the end of each mounting rail. Recommendations for ordering: TS 35 Mounting rail with clamping yoke technology WDU, spring-cage terminal ZDU or PUSH IN technology AZC. Order information for rail-mounted terminal blocks, please refer to the online catalogue. *There are no specified mounting options available for vertical mounting in the enclosure.

Guide value for max. number of cable entries

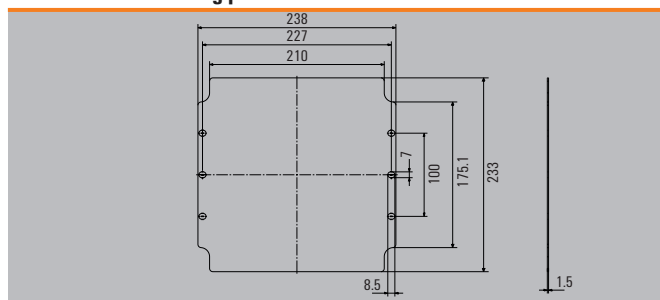
| Guide value for max. number of cable entries | A / B | C / D |
|--|-------|-------|
| M12 | 36 | 32 |
| M16 | 32 | 21 |
| M20 | 18 | 15 |
| M25 | 10 | 8 |
| M32 | 8 | 3 |
| M40 | 3 | 3 |
| M50 | 2 | 2 |
| M63 | | |



Note ** Our IP 68 plastic cable glands are used as the reference for these guideline values.

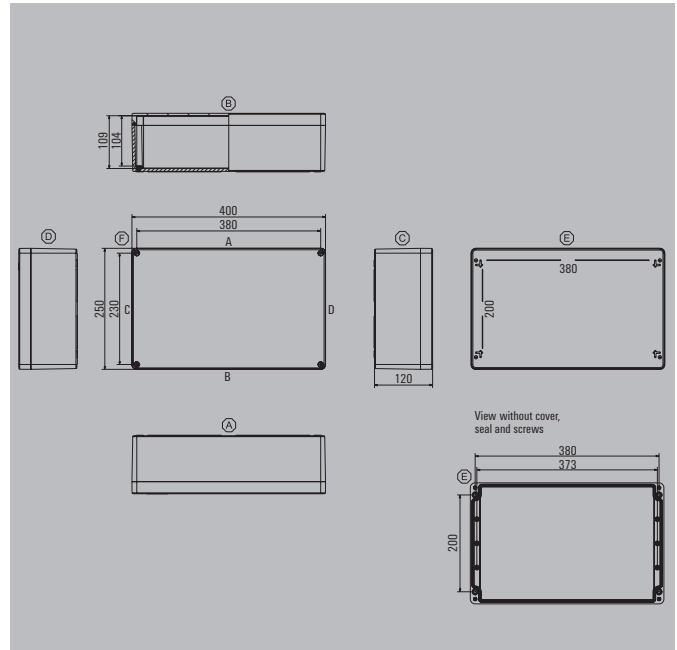
Note

Dimensions of mounting plate



Klippon® POK 254012

Depth 120 mm



Height / Width / Depth 250 / 400 / 120 mm

Ordering data

| RAL 7001 | Standard | Order No. |
|----------|--------------|------------|
| | | 1305940000 |
| RAL 9011 | Ex enclosure | Order No. |
| | | 1306130000 |

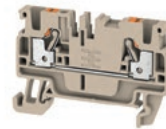
Note The overview page lists the ambient temperatures.

Accessories

| Mounting plates and fastening screws | Order No. |
|--|------------|
| Steel sheet, zinc plated | 9510650000 |
| Steel sheet, galvanized for applications with earthing plate | 1534420000 |
| Fastening screws for mounting plates | 0642600000 |
| Mounting rails, TS35x7.5 | Order No. |
| Horizontally | 8000003913 |
| Brass Earth Continuity Plate | Order No. |
| Brass | 1391040000 |
| External mounting feet, set of 4 | Order No. |
| Stainless steel 1.4301 natural | 9510910000 |
| Earthing stud | Order No. |
| Brass, M10 | 1277220000 |
| Stainless steel 1.4404, M10 | 1283440000 |
| Brass, M6 | 1277250000 |
| Stainless steel 1.4404, M6 | 1283430000 |
| Pressure compensation elements | Order No. |
| Polyamide 6, M12 | 1868570000 |
| Stainless steel 1.4305, M12 | 1868550000 |
| Stainless steel 1.4404, M20 for Ex applications | 2519570000 |

Guide value for max. number of terminals (industry)

| Assembly with terminal | vertical | horizontal |
|------------------------|----------|------------|
| 2.5 mm ² | * | 2x67 |
| 4 mm ² | * | 2x55 |
| 6 mm ² | | 2x41 |
| 10 mm ² | | 2x33 |
| 16 mm ² | | 2x27 |



Note The assembly with terminal rails is designed for direct mounting. The assembly with modular terminals gives consideration to a distance of 10 mm from the end of each mounting rail. Recommendations for ordering: TS 35 Mounting rail with clamping yoke technology WDU, spring-cage terminal ZDU or PUSH IN technology AZC. Order information for rail-mounted terminal blocks, please refer to the online catalogue. *There are no specified mounting options available for vertical mounting in the enclosure.

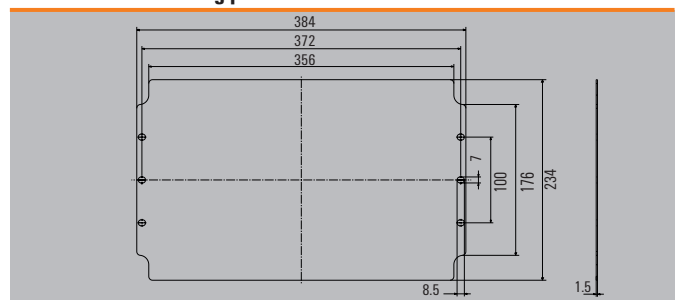
Guide value for max. number of cable entries

| Guide value for max. number of cable entries | A / B | C / D |
|--|-------|-------|
| M12 | 62 | 32 |
| M16 | 54 | 21 |
| M20 | 33 | 15 |
| M25 | 18 | 8 |
| M32 | 14 | 3 |
| M40 | 6 | 3 |
| M50 | 4 | 2 |
| M63 | | |

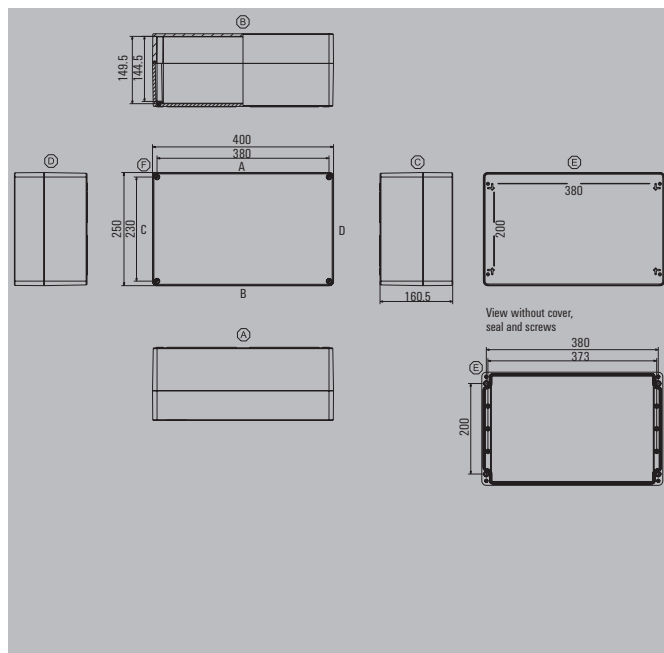


Note ** Our IP 68 plastic cable glands are used as the reference for these guideline values.

Dimensions of mounting plate



Note



Height / Width / Depth 250 / 400 / 160.5 mm

Ordering data

| RAL 7001 | Standard | Order No. |
|----------|--------------|------------|
| | | 1305990000 |
| RAL 9011 | Ex enclosure | Order No. |
| | | 1306180000 |

Note The overview page lists the ambient temperatures.

Accessories

| Mounting plates and fastening screws | Order No. |
|--|------------|
| Steel sheet, zinc plated | 9510650000 |
| Steel sheet, galvanized for applications with earthing plate | 1534420000 |
| Fastening screws for mounting plates | 0642600000 |
| Mounting rails, TS35x7.5 | Order No. |
| Horizontally | 8000003913 |
| Brass Earth Continuity Plate | Order No. |
| Brass | 1391040000 |
| External mounting feet, set of 4 | Order No. |
| Stainless steel 1.4301 natural | 9510910000 |
| Earthing stud | Order No. |
| Brass, M10 | 1277220000 |
| Stainless steel 1.4404, M10 | 1283440000 |
| Brass, M6 | 1277250000 |
| Stainless steel 1.4404, M6 | 1283430000 |
| Pressure compensation elements | Order No. |
| Polyamide 6, M12 | 1868570000 |
| Stainless steel 1.4305, M12 | 1868550000 |
| Stainless steel 1.4404, M20 for Ex applications | 2519570000 |

Guide value for max. number of terminals (industry)

| Assembly with terminal | vertical | horizontal |
|------------------------|----------|------------|
| 2.5 mm ² | * | 2x67 |
| 4 mm ² | * | 2x55 |
| 6 mm ² | | 2x41 |
| 10 mm ² | | 2x33 |
| 16 mm ² | | 2x27 |



Note The assembly with terminal rails is designed for direct mounting. The assembly with modular terminals gives consideration to a distance of 10 mm from the end of each mounting rail. Recommendations for ordering: TS 35 Mounting rail with clamping yoke technology WDU, spring-cage terminal ZDU or PUSH IN technology AZC. Order information for rail-mounted terminal blocks, please refer to the online catalogue. *There are no specified mounting options available for vertical mounting in the enclosure.

Guide value for max. number of cable entries

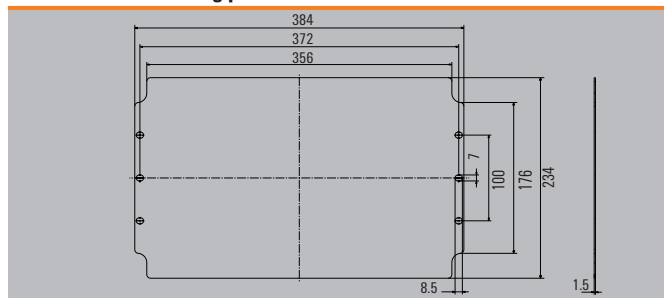
| Guide value for max. number of cable entries | A / B | C / D |
|--|-------|-------|
| M12 | 62 | 32 |
| M16 | 54 | 21 |
| M20 | 33 | 15 |
| M25 | 18 | 8 |
| M32 | 14 | 3 |
| M40 | 6 | 3 |
| M50 | 4 | 2 |
| M63 | | |

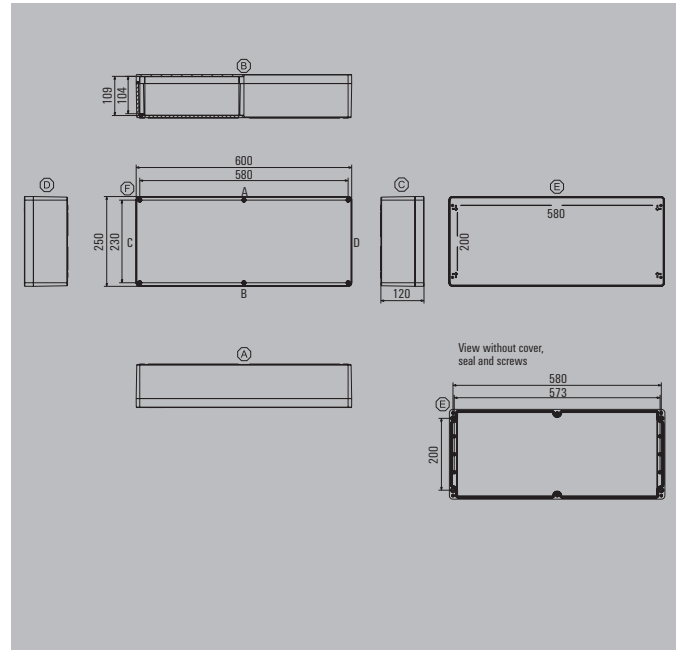


Note ** Our IP 68 plastic cable glands are used as the reference for these guideline values.

Note

Dimensions of mounting plate





Height / Width / Depth 250 / 600 / 120 mm

Ordering data

| RAL 7001 | Standard | Order No. |
|----------|--------------|------------|
| | | 1305950000 |
| RAL 9011 | Ex enclosure | Order No. |
| | | 1306140000 |

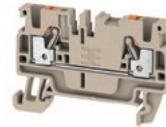
Note The overview page lists the ambient temperatures.

Accessories

| Mounting plates and fastening screws | Order No. |
|--|------------|
| Steel sheet, zinc plated | 9510660000 |
| Steel sheet, galvanized for applications with earthing plate | 1534430000 |
| Fastening screws for mounting plates | 0642600000 |
| Mounting rails, TS35x7.5 | Order No. |
| Horizontally | 8000003914 |
| Brass Earth Continuity Plate | Order No. |
| Brass | 1391050000 |
| External mounting feet, set of 4 | Order No. |
| Stainless steel 1.4301 natural | 9510910000 |
| Earthing stud | Order No. |
| Brass, M10 | 1277220000 |
| Stainless steel 1.4404, M10 | 1283440000 |
| Brass, M6 | 1277250000 |
| Stainless steel 1.4404, M6 | 1283430000 |
| Pressure compensation elements | Order No. |
| Polyamide 6, M12 | 1868570000 |
| Stainless steel 1.4305, M12 | 1868550000 |
| Stainless steel 1.4404, M20 for Ex applications | 2519570000 |

Guide value for max. number of terminals (industry)

| Assembly with terminal | vertical | horizontal |
|------------------------|----------|------------|
| 2.5 mm ² | * | 2x107 |
| 4 mm ² | * | 2x89 |
| 6 mm ² | | 2x66 |
| 10 mm ² | | 2x53 |
| 16 mm ² | | 2x44 |



Note The assembly with terminal rails is designed for direct mounting. The assembly with modular terminals gives consideration to a distance of 10 mm from the end of each mounting rail. TS 35 Mounting rail with clamping yoke technology WDU, spring-cage terminal ZDU or PUSH IN technology AZC. Order information for rail-mounted terminal blocks, please refer to the online catalogue. *There are no specified mounting options available for vertical mounting in the enclosure.

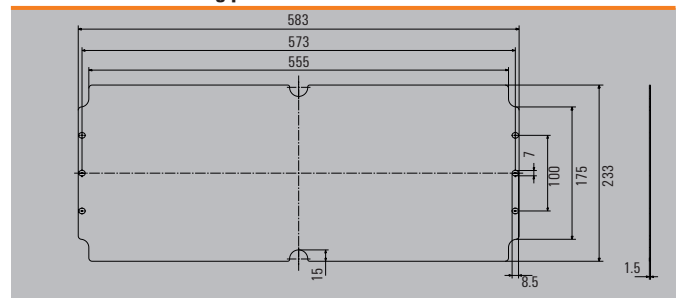
Guide value for max. number of cable entries

| Guide value for max. number of cable entries | A / B | C / D |
|--|-------|-------|
| M12 | 96 | 32 |
| M16 | 80 | 21 |
| M20 | 24 | 15 |
| M25 | 20 | 8 |
| M32 | 20 | 3 |
| M40 | 8 | 3 |
| M50 | 6 | 2 |
| M63 | | |



Note ** Our IP 68 plastic cable glands are used as the reference for these guideline values.

Dimensions of mounting plate



Note



405 / 400 / 120 mm

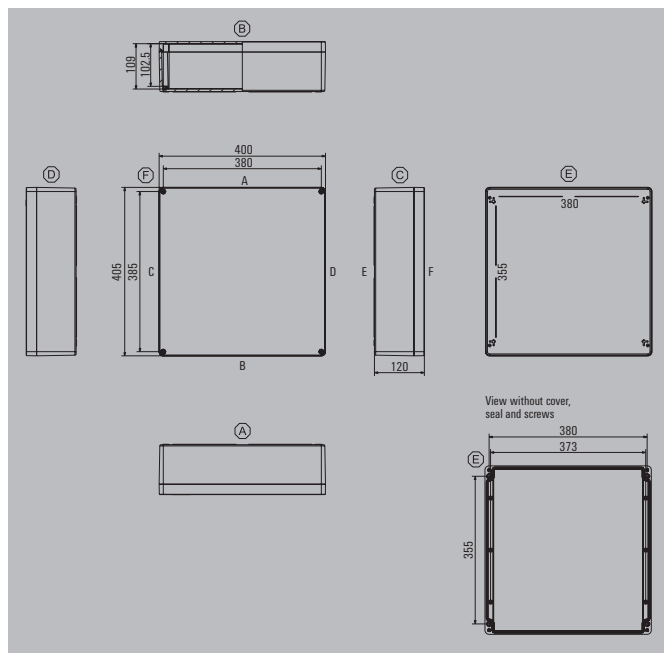
Ordering data

| | | |
|-----------------|---|--------------------------------|
| RAL 7001 | Standard | Order No. 1305970000 |
| RAL 9011 | Ex enclosure | 1306150000 |
| Note | The overview page lists the ambient temperatures. | |

Accessories

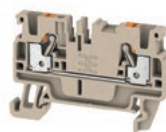
| | |
|--|------------------|
| Mounting plates and fastening screws | Order No. |
| Steel sheet, zinc plated | 9510670000 |
| Steel sheet, galvanized for applications with earthing plate | 1534440000 |
| Fastening screws for mounting plates | 0642600000 |
| Mounting rails, TS35x7.5 | |
| Horizontally | 8000003913 |
| Brass Earth Continuity Plate | |
| Brass | 1391070000 |
| External mounting feet, set of 4 | |
| Stainless steel 1.4301 natural | 9510910000 |
| Earthing stud | |
| Brass, M10 | 1277220000 |
| Stainless steel 1.4404, M10 | 1283440000 |
| Brass, M6 | 1277250000 |
| Stainless steel 1.4404, M6 | 1283430000 |
| Pressure compensation elements | |
| Polyamide 6, M12 | 1868570000 |
| Stainless steel 1.4305, M12 | 1868550000 |
| Stainless steel 1.4404, M20 for Ex applications | 2519570000 |

Note



Guide value for max. number of terminals (industry)

| Assembly with terminal | vertical | horizontal |
|------------------------|----------|------------|
| 2.5 mm ² | * | 3x67 |
| 4 mm ² | * | 3x55 |
| 6 mm ² | | 3x41 |
| 10 mm ² | | 3x33 |
| 16 mm ² | | 3x27 |



Note
The assembly with terminal rails is designed for direct mounting. The assembly with modular terminals gives consideration to a distance of 10 mm from the end of each mounting rail.
Recommendations for ordering:
TS 35 Mounting rail with clamping yoke technology WDU, spring-cage terminal ZDU or PUSH IN technology AZC
Order information for rail-mounted terminal blocks, please refer to the online catalogue
*There are no specified mounting options available for vertical mounting in the enclosure.

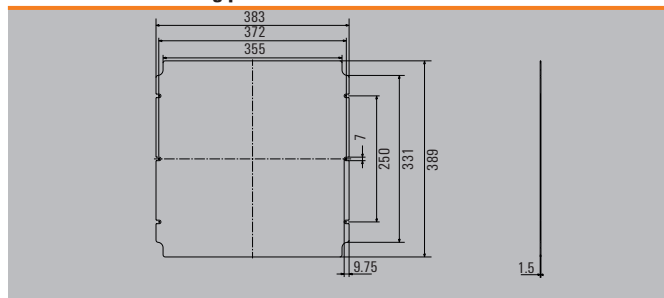
Guide value for max. number of cable entries

| Guide value for max. number of cable entries | A / B | C / D |
|--|-------|-------|
| M12 | 62 | 60 |
| M16 | 54 | 39 |
| M20 | 33 | 30 |
| M25 | 18 | 18 |
| M32 | 14 | 7 |
| M40 | 6 | 5 |
| M50 | 4 | 4 |
| M63 | | |



Note ** Our IP 68 plastic cable glands are used as the reference for these guideline values.

Dimensions of mounting plate






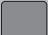

Klippon® Protect Terminal Boxes – Product overview: Polyester enclosure

Use the product overview to find the right solution for you! Combine your own industrial version consisting of an enclosure, with or without threaded holes, a suitable mounting rail or pre-fitted terminal strips. The compatible components are always shown in a row.

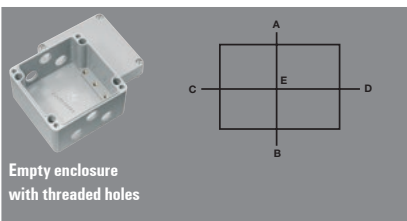
Klippon® Protect offers you approved Terminal Boxes with for use in explosive areas can be found in the last column. They come with threaded holes and are already equipped with a terminal strip.

C

Polyester enclosure

| Dimensions of the enclosure height x width x depth mm | Enclosure type | Empty enclosure without threaded holes | | Mounting rail (TS) Mounting plate (MOPL) | | | Order No. | Qty. |
|--|-----------------|--|------|---|-----------|----------------------------------|------------|------|
| | | Order No. | Qty. | Type | Length mm | Rail mounting slot dimensions mm | | |
| Polyester, RAL 7001 | | | | | | | | |
| 75 x 80 x 55  | Klippon® 080806 | 1305810000 | 1 | TS 15 | 68 | 4.5 x 20 | 1928060000 | 1 |
| 75 x 110 x 56  | Klippon® 081106 | 1305820000 | 1 | TS 15 | 98 | 4.5 x 20 | 1928070000 | 1 |
| 75 x 160 x 56  | Klippon® 081606 | 1305830000 | 1 | TS 15 | 147 | 4.5 x 20 | 1928080000 | 1 |
| 120 x 122 x 90  | Klippon® 121209 | 1305870000 | 1 | TS 35 | 105 | 6.3 x 20 | 1910070000 | 1 |
| 160 x 160 x 90  | Klippon® 161609 | 1305890000 | 1 | TS 35 | 140 | 6.3 x 20 | 1910100000 | 1 |
| | | protection class IP 66 | | suitable for the enclosure of the respective line | | | | |

¹⁾ Multi-pole terminal blocks (block terminals BK 4, BK 6 or BK 12) can be directly fitted
²⁾ Space for further threaded holes up to M32



| Threaded hole Side A | Threaded hole Side B | Order No. | Qty. | Connection technology | Cross-section mm ² | Number of DU* | Number of PE* | Order No. | Qty. | Order No. |
|----------------------|----------------------|-----------|------|-----------------------|-------------------------------|---------------|---------------|-----------|------|-----------|
|----------------------|----------------------|-----------|------|-----------------------|-------------------------------|---------------|---------------|-----------|------|-----------|

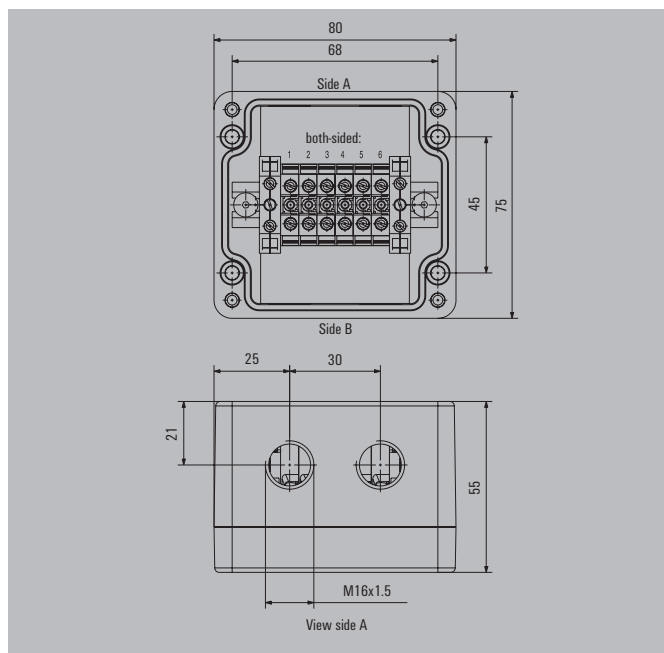
| | | | | | | | | | | |
|--------|--------|--------------------------|---|--------------------------|-----|----|---|--------------------------|---|------------|
| 2x M16 | 2x M16 | 8000004160 | 1 | Screw connection | 4 | 4 | 0 | 8000004365 ¹⁾ | 1 | 8000004222 |
| 2x M16 | 2x M16 | | | Screw connection | 4 | 6 | 2 | 8000004144 | 1 | 8000004223 |
| 2x M20 | 2x M20 | 8000004161 | 1 | Screw connection | 4 | 6 | 0 | 8000004366 ¹⁾ | 1 | 8000004224 |
| 2x M20 | 2x M20 | | | Screw connection | 4 | 10 | 2 | 8000004145 | 1 | 8000004225 |
| 4x M20 | 4x M20 | 8000004162 | 1 | Screw connection | 4 | 12 | 0 | 8000004367 ¹⁾ | 1 | 8000004226 |
| 4x M20 | 4x M20 | | | Screw connection | 4 | 18 | 2 | 8000004146 | 1 | 8000004228 |
| 3x M20 | 3x M20 | 8000003448 | 1 | Screw connection | 4 | 12 | 2 | 8000003444 | 1 | 8000003593 |
| 3x M20 | 3x M20 | | | | | | | | 1 | 8000003594 |
| 4x M20 | 4x M20 | 8000004164 ²⁾ | 1 | Screw connection | 4 | 16 | 2 | 8000004142 | 1 | 8000004229 |
| 4x M20 | 4x M20 | | | Tension clamp connection | 2.5 | 19 | 2 | 8000004143 | 1 | 8000004230 |

suitable for the enclosures of the respective line
 *DU = feed-through terminals, PE = PE terminals

Ex enclosure with an external earthing connection, holes and strip terminals in each row



Height / Width / Depth 75 / 80 / 55 mm



Empty enclosure with tapped holes

| Drill holes side A | Drill holes side B | Order No. |
|--------------------|--------------------|-----------|
| 2 x M16x1.5 | 2 x M16x1.5 | 800004160 |



Note

Accessories

| Cable glands | Order No. |
|-------------------------|------------|
| VG M16 EXE 5-8 SI7J G4 | 2722080000 |
| VG M16 EXE 6-10 SI7J G4 | 2722090000 |
| Stopping plugs | Order No. |
| VP M16 EX SI 7J | 2066720000 |

Terminal block, suitable for empty enclosure

| Type | Type of connection | Conductor can be clamped | Rated cross-section | No. of DU* | No. of PE* | Order No. |
|--------|--------------------|---|---|------------|------------|-----------|
| BK 4/E | Screw connection | Solid / stranded | 0.5...4 mm ² / 1.5...4 mm ² | 4 | 0 | 800004365 |
| | | Flexible / flexible with wire-end ferrule | 0.5...4 mm ² / 0.5...4 mm ² | | | |
| AKZ 4 | Screw connection | Solid / stranded | 0.5...6 mm ² / 1.5...4 mm ² | 6 | 2 | 800004144 |
| | | Flexible / flexible with wire-end ferrule | 0.5...4 mm ² / 0.5...2.5 mm ² | | | |

Note Markers numbered 1-50 (horizontal text) and mounting screws are included in the delivery. *DU = feed-through terminals, PE = PE terminals

Note

Distribution box with ATEX II 2GD T85°C Ex e II T6

| Drill holes side A | Drill holes side B | No. of DU* | No. of PE* | Order No. |
|--------------------|--------------------|------------|------------|-----------|
| 2 x M16x1.5 | 2 x M16x1.5 | 6 | 2 | 800004223 |
| 2 x M16x1.5 | 2 x M16x1.5 | 6 | 2 | 800004222 |

Terminal rail / mounting plate set

| Product type | Type | Length | Order No. |
|--------------|--------------------------|--------|------------|
| Rail | TS15 68 Klippon POK1 CSS | 68 mm | 1928060000 |



Note Enclosures are delivered in RAL 9011. *DU = feed-through terminals, PE = PE terminals

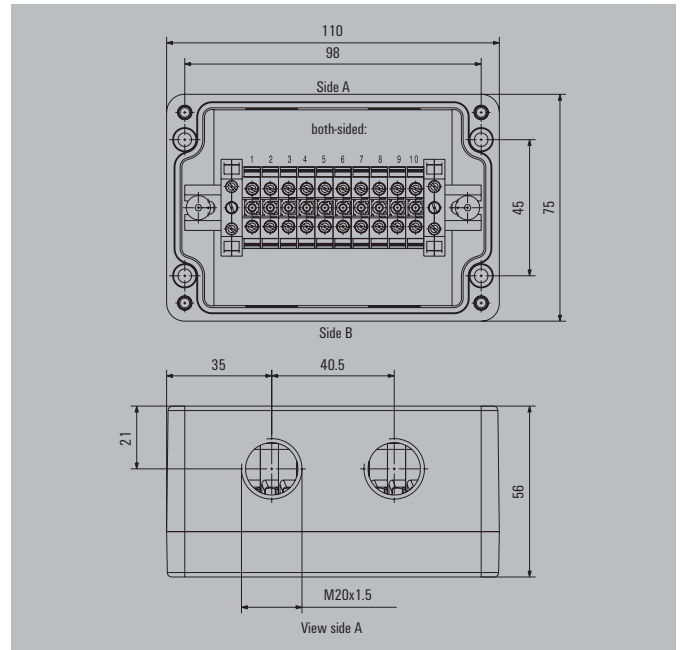
Note

Klippon® POK 081106

56 mm



Height / Width / Depth 75 / 110 / 56 mm



Empty enclosure with tapped holes

| Drill holes side A | Drill holes side B | Order No. |
|--------------------|--------------------|-----------|
| 2 x M20x1.5 | 2 x M20x1.5 | 800004161 |



Note

Accessories

| Cable glands | Order No. |
|--------------------------|------------|
| VG M20 EXE 7-13 SI7J G4 | 2722110000 |
| VG M20 EXE 11-14 SI7J G4 | 2722120000 |
| Stopping plugs | Order No. |
| VP M20 EX SI 7J | 2066730000 |
| Gauge rings | Order No. |
| ADAP EX M20-M16 | 1737560000 |

Note

Terminal block, suitable for empty enclosure

| Type | Type of connection | Conductor can be clamped | Rated cross-section | No. of DU* | No. of PE* | Order No. |
|--------|--------------------|---|---|------------|------------|------------|
| BK 6/E | Screw connection | Solid / stranded | 0.5...4 mm ² / 1.5...4 mm ² | 6 | 0 | 8000004366 |
| | | Flexible / flexible with wire-end ferrule | 0.5...4 mm ² / 0.5...4 mm ² | | | |
| AKZ 4 | Screw connection | Solid / stranded | 0.5...6 mm ² / 1.5...4 mm ² | 10 | 2 | 8000004145 |
| | | Flexible / flexible with wire-end ferrule | 0.5...4 mm ² / 0.5...2.5 mm ² | | | |

Note Markers numbered 1-50 (horizontal text) and mounting screws are included in the delivery.
*DU = feed-through terminals, PE = PE terminals

Distribution box with ATEX II 2GD T85°C Ex e II T6

| Drill holes side A | Drill holes side B | No. of DU* | No. of PE* | Order No. |
|--------------------|--------------------|------------|------------|------------|
| 2 x M20x1.5 | 2 x M20x1.5 | 10 | 2 | 8000004225 |
| 2 x M20x1.5 | 2 x M20x1.5 | 6 | 0 | 8000004224 |



Note Enclosures are delivered in RAL 9011.
*DU = feed-through terminals, PE = PE terminals

Terminal rail / mounting plate set

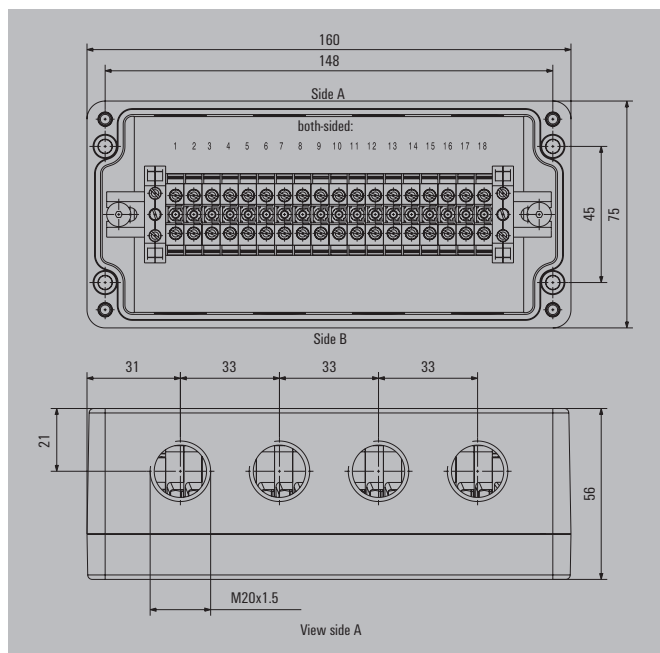
| Product type | Type | Length | Order No. |
|--------------|--------------------------|--------|------------|
| Rail | TS15 98 Klippon POK2 CSS | 98 mm | 1928070000 |



Note



Height / Width / Depth 75 / 160 / 56 mm



Empty enclosure with tapped holes

| Drill holes side A | Drill holes side B | Order No. |
|--------------------|--------------------|-----------|
| 4 x M20x1.5 | 4 x M20x1.5 | 800004162 |



Note

Accessories

| Accessories | Order No. |
|--------------------------|------------|
| Cable glands | |
| VG M20 EXE 7-13 SI7J G4 | 2722110000 |
| VG M20 EXE 11-14 SI7J G4 | 2722120000 |
| Stopping plugs | |
| VP M20 EX SI 7J | 2066730000 |
| Gauge rings | |
| ADAP EX M20-M16 | 1737560000 |

Note

Terminal block, suitable for empty enclosure

| Type | Type of connection | Conductor can be clamped | Rated cross-section | No. of DU* | No. of PE* | Order No. |
|---------|--------------------|---|---|------------|------------|-----------|
| BK 12/E | Screw connection | Solid / stranded | 0.5...4 mm ² / 1.5...4 mm ² | 12 | 0 | 800004367 |
| | | Flexible / flexible with wire-end ferrule | 0.5...4 mm ² / 0.5...4 mm ² | | | |
| AKZ 4 | Screw connection | Solid / stranded | 0.5...6 mm ² / 1.5...4 mm ² | 18 | 2 | 800004146 |
| | | Flexible / flexible with wire-end ferrule | 0.5...4 mm ² / 0.5...2.5 mm ² | | | |

Note Markers numbered 1-50 (horizontal text) and mounting screws are included in the delivery.
*DU = feed-through terminals, PE = PE terminals

Distribution box with ATEX II 2GD T85°C Ex e II T6

| Drill holes side A | Drill holes side B | No. of DU* | No. of PE* | Order No. |
|--------------------|--------------------|------------|------------|-----------|
| 4 x M20x1.5 | 4 x M20x1.5 | 18 | 2 | 800004228 |
| 4 x M20x1.5 | 4 x M20x1.5 | 12 | 0 | 800004226 |

Terminal rail / mounting plate set

| Product type | Type | Length | Order No. |
|--------------|---------------------------|--------|------------|
| Rail | TS15 147 Klippon POK3 CSS | 147 mm | 1928080000 |



Note Enclosures are delivered in RAL 9011.
*DU = feed-through terminals, PE = PE terminals

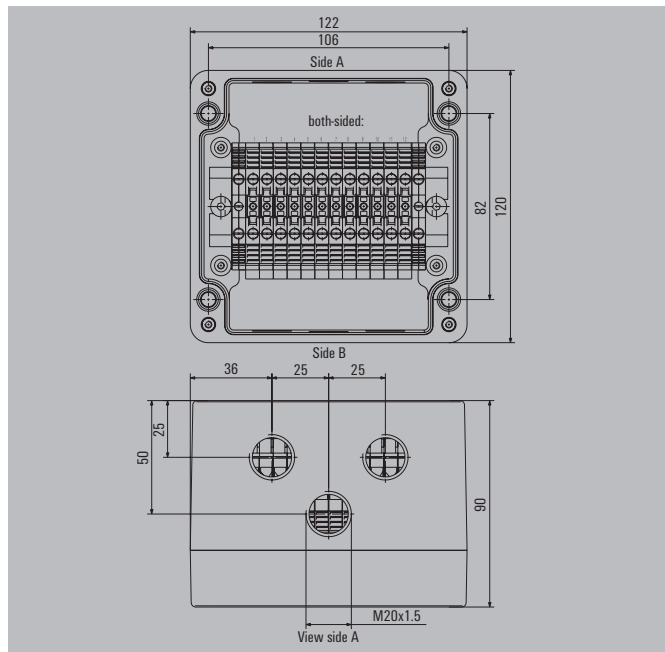
Note

Klippon® POK 121209

90 mm



Height / Width / Depth 120 / 122 / 90 mm



Empty enclosure with tapped holes

| Drill holes side A | Drill holes side B | Order No. |
|--------------------|--------------------|-----------|
| 3 x M20x1.5 | 3 x M20x1.5 | 800003448 |



Note

Accessories

| Cable glands | Order No. |
|--------------------------|------------|
| VG M20 EXE 7-13 SI7J G4 | 2722110000 |
| VG M20 EXE 11-14 SI7J G4 | 2722120000 |
| Stopping plugs | Order No. |
| VP M20 EX SI 7J | 2066730000 |
| Gauge rings | Order No. |
| ADAP EX M20-M16 | 1737560000 |

Note

Terminal block, suitable for empty enclosure

| Type | Type of connection | Conductor can be clamped | Rated cross-section | No. of DU* | No. of PE* | Order No. |
|-------|--------------------|---|---|------------|------------|-----------|
| WDU 4 | Screw connection | Solid/stranded | 0.5..6 mm ² / 1.5..6 mm ² | 12 | 2 | 800003444 |
| | | Flexible / flexible with wire-end ferrule | 0.5..6 mm ² / 0.5..4 mm ² | | | |



Note Markers numbered 1-50 (horizontal text) and mounting screws are included in the delivery. *DU = feed-through terminals, PE = PE terminals

Distribution box with ATEX II 2GD T85°C Ex e II T6

| Drill holes side A | Drill holes side B | No. of DU* | No. of PE* | Order No. |
|--------------------|--------------------|------------|------------|-----------|
| 3 x M20x1.5 | 3 x M20x1.5 | 12 | 2 | 800003593 |
| 3 x M20x1.5 | 3 x M20x1.5 | 9 | 2 | 800003594 |



Note Enclosures are delivered in RAL 9011. *DU = feed-through terminals, PE = PE terminals

Terminal rail / mounting plate set

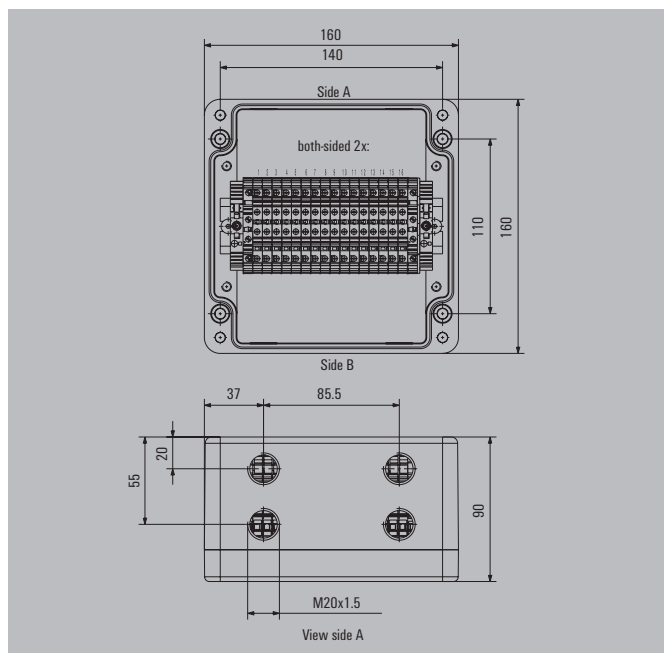
| Product type | Type | Length | Order No. |
|--------------|---------------------------|--------|------------|
| Rail | TS35 105 Klippon K41/POK4 | 105 mm | 1910070000 |



Note



Height / Width / Depth 160 / 160 / 90 mm



Empty enclosure with tapped holes

| Drill holes side A | Drill holes side B | Order No. |
|--------------------|--------------------|-----------|
| 4 x M20x1.5 | 4 x M20x1.5 | 800004164 |



Note

Accessories

| Cable glands | Order No. |
|--------------------------|------------|
| VG M20 EXE 7-13 SI7J G4 | 2722110000 |
| VG M20 EXE 11-14 SI7J G4 | 2722120000 |
| Stopping plugs | Order No. |
| VP M20 EX SI 7J | 2066730000 |
| Gauge rings | Order No. |
| ADAP EX M20-M16 | 1737560000 |

Note

Terminal block, suitable for empty enclosure

| Type | Type of connection | Conductor can be clamped | Rated cross-section | No. of DU* | No. of PE* | Order No. |
|---------|--------------------------|---|--|------------|------------|-----------|
| ZDK 2.5 | Tension-clamp connection | Double-level terminal | 0.5...2.5 mm ² / ... 0.5...2.5 mm ² / 0.5...2.5 mm ² | 19 | 2 | 800004143 |
| WDK 4N | Screw connection | Solid/stranded Flexible / flexible with wire-end ferrule | 0.5...6 mm ² / 1.5...6 mm ² 0.5...4 mm ² / 0.5...4 mm ² | 16 | 2 | 800004142 |

Note Markers numbered 1-50 (horizontal text) and mounting screws are included in the delivery.
*DU = feed-through terminals, PE = PE terminals

Distribution box with ATEX II 2GD T85°C Ex e II T6

| Drill holes side A | Drill holes side B | No. of DU* | No. of PE* | Order No. |
|--------------------|--------------------|------------|------------|-----------|
| 4 x M20x1.5 | 4 x M20x1.5 | 16 | 2 | 800004229 |
| 4 x M20x1.5 | 4 x M20x1.5 | 19 | 2 | 800004230 |



Note Enclosures are delivered in RAL 9011.
*DU = feed-through terminals, PE = PE terminals

Terminal rail / mounting plate set

| Product type | Type | Length | Order No. |
|--------------|----------------------------|--------|------------|
| Rail | TS35/140 Klippon K52 POK51 | 140 mm | 1910100000 |



Note

Safely control work processes in hazardous areas on site

With certified enclosure solutions with control and display elements

C

Harsh industrial environments and hazardous areas, such as in the oil and gas industry, place extreme demands on the safety, the robustness and quality of products and devices.

We meet these challenges with the Klippon® Control Station, the addition to our range of customised enclosure solutions. More than 50 years of expertise have made us market leader in this area with global competence centres. The basis of our enclosure solutions is provided by the usual Weidmüller quality and comprehensive approvals for explosion hazard areas. Based on this, our sturdy “on-site control station” is available in two standard sizes and with up to four control and display elements and provides a flexible solution to meet your specific needs.

Order your distributor enclosure as well as control and signaling units from a single source and from one enclosure design – for reliable security and reduced storage costs for maintenance and repair operations.

Your special advantages: Ideal for urgent service calls

We have prepared modules of the proven Klippon® enclosures POK available for you for further processing. This means we manufacture a control solution suitable for your application at short notice.



Predestined for emergency shutdown applications: Klippon® Control Stations score when it comes to the safe shutdown of plant sections, such as in the process industry

Customised assembly

In addition to standard types from stock, you can obtain enclosure solutions from us that are completely assembled and equipped according to customer requirements.



Project solutions from a single source

Obtain command/signaling units and distribution and control boxes as a complete solution – tailored to the individual requirements of your projects in hazardous areas.



A variety of sizes and materials

Enclosures in stainless steel, aluminium or polyester are available for different environmental conditions. Depending on the size of the enclosure, it provides space for the integration of up to four control and display elements.

International certificates

The Klippon® Control Station is tested and certified among others according to ATEX and IECEx.



Robust solutions for demanding environments

Klippon® Protect provides high-quality polyester enclosures

Our enclosures made of high-quality polyester (Klippon® POK) are the ideal solutions for demanding electrical connectivity applications. They are particularly suitable for applications that demand corrosion resistance, impact resistance and a high protection class. Suitable for use within hazardous environments.

Additional features:

- Extremely robust, weather-proof and impact-resistant up to 7 joules
- Simple fastening of mounting rails
- High ingress protection IP66



Technical data

| | |
|--|------|
| Material | |
| Surface finish | |
| Colour | |
| IP protection class | |
| Ambient temperature | |
| Seal material of enclosure | |
| Seal material of command and signalling units | |
| Flammability rating | |
| Impact resistance IK | |
| Cable gland material | |
| Cable gland clamping area min. - max. in mm | |
| M20 | |
| M25 | |
| Max. rated cross-section | |
| Max. operating voltage with integrated illuminated pushbutton or lighting module | |
| Maximum operating current at 40 °C ambient temperature | |
| 1.5 mm ² - T6 | 10 A |
| 1.5 mm ² - T5 | 16 A |
| 2.5 mm ² - T6 | 16 A |
| Maximum operating current at 55 °C ambient temperature | |
| 1.5 mm ² - T4 | 16 A |
| 1.5 mm ² - T5 | 10 A |
| 2.5 mm ² - T5 | 16 A |
| Temperature class | |
| Type of mounting | |
| Earthing inside | |
| Lid attachment | |
| Lid screw torque | |
| Earthing torque | |
| Earthing outside | |
| Approvals | |
| Marking | |
| Mounting feet | |

Polyester enclosures

| |
|---|
| Glass-fibre reinforced polyester with graphite mixture |
| Natural, black |
| Similar to RAL 9011 |
| IP 54; IP 66 |
| -55 °C to 55 °C |
| Silicone (VMQ) |
| EPDM |
| - |
| 7 joules in acc. with IEC60079-0 |
| 4 joules in acc. with IEC60079-0 with integrated illuminated pushbutton or light module |
| Polyamide |
| Available on request |
| 6-12 mm |
| 2.5 mm ² |
| 400 V |
| 250 V |
| 10 A |
| 16 A |
| 16 A |
| 16 A |
| 10 A |
| 16 A |
| 16 A |
| T4, T5, T6 |
| Wall mounting |
| Earth terminal |
| Crosshead screws, stainless steel |
| 2.5-3.0 Nm |
| - |
| Available on request |
| IECEXITA14.0013X |
| TUEV14ATEX7606X |
| MARITREG 15.40082.250 |
| 2G Ex e d IIC T* Gb |
| 2G Ex ib d [ia] IIC T* Gb |
| 2D Ex tb IIC T80/100 °C Db |
| 9510910000 |



| | Number of built-in components | | | | Emergency stop pushbutton red | Key switch I – 0 – II | Pushbutton | | Illuminated pushbutton | | Light module | | Dimensions with built-in components HxWxD in mm | Designation | Cable gland | Order number | | |
|-----------|-------------------------------|---|---|---|----------------------------------|--------------------------|------------|-------|------------------------|-------|--------------|-------|--|-------------------------|-------------------------|--------------|------------|--|
| | • | • | • | • | | | red | green | red | green | red | green | | | | | | |
| Polyester | • | | | | 1 | | | | | | | | 152x120x128 | KLIPPON CS POK 121209-2 | VG M25 | 1537070000 | | |
| | • | | | | | | | 1 | | | | | 152x120x103 | KLIPPON CS POK 121209-2 | VG M25 | 1537080000 | | |
| | • | | | | | 1 | | | | | | | 152x120x117 | KLIPPON CS POK 121209-2 | VG M25 | 1537090000 | | |
| | • | | | | | | | | | 1 | | | 152x120x105 | KLIPPON CS POK 121209-2 | VG M25 | 1537100000 | | |
| | • | | | | | | | 1 | 1 | | | | 152x120x103 | KLIPPON CS POK 121209-4 | VG M25 | 1537110000 | | |
| | • | | | | | | | | 1 | | 1 | | 152x120x112 | KLIPPON CS POK 121209-4 | VG M25 | 1537120000 | | |
| | • | | | | 1 | | | | | | | 1 | 152x120x128 | KLIPPON CS POK 121209-4 | VG M25 | 1537130000 | | |
| | | • | | | | | | 1 | 1 | | | | 1 | 250x120x112 | KLIPPON CS POK 122209-2 | VG M25 | 1537140000 | |
| | | | • | | | | | 1 | 2 | | | | | 250x120x103 | KLIPPON CS POK 122209-2 | VG M25 | 1537150000 | |
| | | | | • | | 1 | | 1 | 1 | | | | | 250x120x128 | KLIPPON CS POK 122209-2 | VG M25 | 1537170000 | |
| | | | | | • | | | 1 | 1 | | | 1 | 1 | 250x120x112 | KLIPPON CS POK 122209-4 | VG M25 | 1537180000 | |

Klippon® CS POK 121209-2



Klippon® CS POK 121209-2



Technical data

| | |
|--|--|
| Enclosure | |
| Dimensions with installation (HxBxD) | |
| Material | |
| General characteristics | |
| Surface finish / Colour | |
| Protection class | |
| Ambient temperature | |
| Impact resistance | |
| UL 94 flammability rating | |
| Enclosure seal material | |
| Seal material of operating and display elements | |
| Type of mounting | |
| External earth | |
| Lid attachment | |
| Torque for lid screws | |
| Electrical properties* | |
| Wire connection cross section, finely stranded, max. | |
| Operating voltage, max. | |
| Temperature class | |
| Enclosure assembly | |
| 1 Position in enclosure | |
| 2 Position in enclosure | |
| 3 Position in enclosure | |
| 4 Position in enclosure | |
| Contact design | |
| Actuators | |
| Actuator colour | |
| Illumination module colour | |
| Illuminated button actuator colour | |
| Cable entries | |
| Drill holes side B | |
| Cable gland | |
| Clamping range min. / max. | |
| Approval and Marking | |
| Standards | |
| Certificate No. (IECEX) | |
| Certificate No. (ATEX) | |
| Certificate No. (EAC) | |
| Certificate No. (MARITREG) | |
| Marking | |
| Accessories | |
| Mounting feet | |

| | |
|--|--|
| Dimensions with installation (HxBxD) | 152 / 120 / 128 mm |
| Material | Glass-fibre reinforced polyester with graphite mixture |
| Surface finish / Colour | untreated / graphite black |
| Protection class | IP54, IP66 |
| Ambient temperature | -55 °C...+55 °C |
| Impact resistance | 7 joules in acc. with IEC 60079-0 |
| UL 94 flammability rating | V-0 |
| Enclosure seal material | Silicone (VMQ) |
| Seal material of operating and display elements | EPDM |
| Type of mounting | Wall mounting |
| External earth | Available on request |
| Lid attachment | Crosshead screws, stainless steel |
| Torque for lid screws | 2.5 Nm |
| Wire connection cross section, finely stranded, max. | 2.5 mm ² |
| Operating voltage, max. | 400 V |
| Temperature class | T4, T5, T6 |
| 1 Position in enclosure | EMERGENCY-STOP pushbutton with yellow, contrasting label |
| 2 Position in enclosure | |
| 3 Position in enclosure | |
| 4 Position in enclosure | |
| Contact design | 2 NC contact, positive opening contacts |
| Actuators | EMERGENCY STOP pushbutton |
| Actuator colour | red |
| Illumination module colour | |
| Illuminated button actuator colour | |
| Drill holes side B | 1 x M25 |
| Cable gland | 2721990000 - VG M25 EXE 12-17 CR7J G4 |
| Clamping range min. / max. | 12 mm / 17 mm |
| Standards | IEC 60079-0, IEC 60079-7, IEC 60079-31 |
| Certificate No. (IECEX) | IECEXITA14.0013X |
| Certificate No. (ATEX) | TUEV14ATEX7606X |
| Certificate No. (EAC) | RUC-DE.BE02.B.00173 |
| Certificate No. (MARITREG) | 15.40082.250 |
| Marking | II 2 G Ex d e IIC T* Gb II 2 D Ex tb IIIC T*°C Db |
| Mounting feet | 9510910000 - MF POK BIG |

| | |
|--|--|
| Dimensions with installation (HxBxD) | 152 / 120 / 103 mm |
| Material | Glass-fibre reinforced polyester with graphite mixture |
| Surface finish / Colour | untreated / graphite black |
| Protection class | IP54, IP66 |
| Ambient temperature | -55 °C...+55 °C |
| Impact resistance | 7 joules in acc. with IEC 60079-0 |
| UL 94 flammability rating | V-0 |
| Enclosure seal material | Silicone (VMQ) |
| Seal material of operating and display elements | EPDM |
| Type of mounting | Wall mounting |
| External earth | Available on request |
| Lid attachment | Crosshead screws, stainless steel |
| Torque for lid screws | 2.5 Nm |
| Wire connection cross section, finely stranded, max. | 2.5 mm ² |
| Operating voltage, max. | 400 V |
| Temperature class | T4, T5, T6 |
| 1 Position in enclosure | Pushbutton - green |
| 2 Position in enclosure | |
| 3 Position in enclosure | |
| 4 Position in enclosure | |
| Contact design | 1 NC contact, 1 NO contacts |
| Actuators | Pushbutton |
| Actuator colour | green |
| Illumination module colour | |
| Illuminated button actuator colour | |
| Drill holes side B | 1 x M25 |
| Cable gland | 2721990000 - VG M25 EXE 12-17 CR7J G4 |
| Clamping range min. / max. | 12 mm / 17 mm |
| Standards | IEC 60079-0, IEC 60079-7, IEC 60079-31 |
| Certificate No. (IECEX) | IECEXITA14.0013X |
| Certificate No. (ATEX) | TUEV14ATEX7606X |
| Certificate No. (EAC) | RUC-DE.BE02.B.00173 |
| Certificate No. (MARITREG) | 15.40082.250 |
| Marking | II 2 G Ex d e IIC T* Gb II 2 D Ex tb IIIC T*°C Db |
| Mounting feet | 9510910000 - MF POK BIG |

| | |
|-------------|--|
| Note | |
|-------------|--|

Ordering data

| | | |
|-------------------------|-------------|------------------|
| Type | Qty. | Order No. |
| KLIPPON CS POK 121209-2 | 1 | 1537070000 |

| | | |
|-------------------------|-------------|------------------|
| Type | Qty. | Order No. |
| KLIPPON CS POK 121209-2 | 1 | 1537080000 |

| | |
|-------------|--|
| Note | *Other temperature classes and connection values on request, or see "Notice to Installer". |
|-------------|--|

| | |
|-------------|--|
| Note | *Other temperature classes and connection values on request, or see "Notice to Installer". |
|-------------|--|

Klippon® CS POK 121209-2



| |
|---|
| 152 / 120 / 117 mm |
| Glass-fibre reinforced polyester with graphite mixture |
| untreated / graphite black |
| IP54, IP66 |
| -55 °C...+55 °C |
| 7 joules in acc. with IEC 60079-0 |
| V-0 |
| Silicone (VMQ) |
| EPDM |
| Wall mounting |
| Available on request |
| Crosshead screws, stainless steel |
| 2.5 Nm |
| 2.5 mm ² |
| 400 V |
| T4, T5, T6 |
| Key-operated switch |
| 1 NC contact, 1 NO contacts |
| Key-operated switch, 3 switching positions, I - 0 - II, (I + II), latching, Key retractable |
| 1 x M25 |
| 2721990000 - VG M25 EXE 12-17 CR7J G4 |
| 12 mm / 17 mm |
| IEC 60079-0, IEC 60079-7, IEC 60079-31 |
| IECEXITA14.0013X |
| TUEV14ATEX7606X |
| RUC-DE.TB08.B.01838 |
| 15.40082.250 |
| II 2 G Ex d e IIC T* Gb |
| II 2 D Ex tb IIIC T*°C Db |
| 9510910000 - MF POK BIG |

Klippon® CS POK 121209-2



| |
|--|
| 152 / 120 / 105 mm |
| Glass-fibre reinforced polyester with graphite mixture |
| untreated / graphite black |
| IP54, IP66 |
| -55 °C...+55 °C |
| 4 joules in acc. with IEC 60079-0 |
| V-0 |
| Silicone (VMQ) |
| EPDM |
| Wall mounting |
| Available on request |
| Crosshead screws, stainless steel |
| 2.5 Nm |
| 2.5 mm ² |
| 250 V |
| T4, T5, T6 |
| Illuminated pushbutton - green |
| 2 NO contacts |
| Pushbutton |
| green |
| green |
| 1 x M25 |
| 2721990000 - VG M25 EXE 12-17 CR7J G4 |
| 12 mm / 17 mm |
| IEC 60079-0, IEC 60079-7, IEC 60079-31 |
| IECEXITA14.0013X |
| TUEV14ATEX7606X |
| RUC-DE.BE02.B.00173 |
| 15.40082.250 |
| II 2 G Ex d e IIC T* Gb |
| II 2 D Ex tb IIIC T*°C Db |
| 9510910000 - MF POK BIG |

Klippon® CS POK 121209-4



| |
|--|
| 152 / 120 / 103 mm |
| Glass-fibre reinforced polyester with graphite mixture |
| untreated / graphite black |
| IP54, IP66 |
| -55 °C...+55 °C |
| 7 joules in acc. with IEC 60079-0 |
| V-0 |
| Silicone (VMQ) |
| EPDM |
| Wall mounting |
| Available on request |
| Crosshead screws, stainless steel |
| 2.5 Nm |
| 2.5 mm ² |
| 400 V |
| T4, T5, T6 |
| Pushbutton - red |
| Pushbutton - green |
| 2 NC contact, 2 NO contacts |
| Pushbutton |
| red, green |
| 1 x M25 |
| 2721990000 - VG M25 EXE 12-17 CR7J G4 |
| 12 mm / 17 mm |
| IEC 60079-0, IEC 60079-7, IEC 60079-31 |
| IECEXITA14.0013X |
| TUEV14ATEX7606X |
| RUC-DE.BE02.B.00173 |
| 15.40082.250 |
| II 2 G Ex d e IIC T* Gb |
| II 2 D Ex tb IIIC T*°C Db |
| 9510910000 - MF POK BIG |

| Type | Qty. | Order No. |
|-------------------------|------|------------|
| KLIPPON CS POK 121209-2 | 1 | 1537090000 |

| Type | Qty. | Order No. |
|-------------------------|------|------------|
| KLIPPON CS POK 121209-2 | 1 | 1537100000 |

| Type | Qty. | Order No. |
|-------------------------|------|------------|
| KLIPPON CS POK 121209-4 | 1 | 1537110000 |

*Other temperature classes and connection values on request, or see "Notice to Installer".

*Other temperature classes and connection values on request, or see "Notice to Installer".

*Other temperature classes and connection values on request, or see "Notice to Installer".

Klippon® CS POK 121209-4



Klippon® CS POK 121209-4



Technical data

| | |
|--|--|
| Enclosure | |
| Dimensions with installation (HxBxD) | 152 / 120 / 112 mm |
| Material | Glass-fibre reinforced polyester with graphite mixture |
| General characteristics | |
| Surface finish / Colour | untreated / graphite black |
| Protection class | IP54, IP66 |
| Ambient temperature | -55 °C...+55 °C |
| Impact resistance | 4 joules in acc. with IEC 60079-0 |
| UL 94 flammability rating | V-0 |
| Enclosure seal material | Silicone (VMQ) |
| Seal material of operating and display elements | EPDM |
| Type of mounting | Wall mounting |
| External earth | Available on request |
| Lid attachment | Crosshead screws, stainless steel |
| Torque for lid screws | 2.5 Nm |
| Electrical properties* | |
| Wire connection cross section, finely stranded, max. | 2.5 mm ² |
| Operating voltage, max. | 250 V |
| Temperature class | T4, T5, T6 |
| Enclosure assembly | |
| 1 Position in enclosure | Light module - green |
| 2 Position in enclosure | Pushbutton - green |
| 3 Position in enclosure | |
| 4 Position in enclosure | |
| Contact design | 1 NC contact, 1 NO contacts |
| Actuators | Pushbutton |
| Actuator colour | green |
| Illumination module colour | green |
| Illuminated button actuator colour | |
| Cable entries | |
| Drill holes side B | 1 x M25 |
| Cable gland | 2721990000 - VG M25 EXE 12-17 CR7J G4 |
| Clamping range min. / max. | 12 mm / 17 mm |
| Approval and Marking | |
| Standards | IEC 60079-0, IEC 60079-7, IEC 60079-31 |
| Certificate No. (IECEX) | IECEXITA14.0013X |
| Certificate No. (ATEX) | TUEV14ATEX7606X |
| Certificate No. (EAC) | RUC-DE.BE02.B.00173 |
| Certificate No. (MARITREG) | 15.40082.250 |
| Marking | II 2 G Ex d e IIC T* Gb II 2 D Ex tb IIIC T*°C Db |
| Accessories | |
| Mounting feet | 9510910000 - MF POK BIG |

| | |
|--|--|
| Enclosure | |
| Dimensions with installation (HxBxD) | 152 / 120 / 112 mm |
| Material | Glass-fibre reinforced polyester with graphite mixture |
| General characteristics | |
| Surface finish / Colour | untreated / graphite black |
| Protection class | IP54, IP66 |
| Ambient temperature | -55 °C...+55 °C |
| Impact resistance | 4 joules in acc. with IEC 60079-0 |
| UL 94 flammability rating | V-0 |
| Enclosure seal material | Silicone (VMQ) |
| Seal material of operating and display elements | EPDM |
| Type of mounting | Wall mounting |
| External earth | Available on request |
| Lid attachment | Crosshead screws, stainless steel |
| Torque for lid screws | 2.5 Nm |
| Electrical properties* | |
| Wire connection cross section, finely stranded, max. | 2.5 mm ² |
| Operating voltage, max. | 250 V |
| Temperature class | T4, T5, T6 |
| Enclosure assembly | |
| 1 Position in enclosure | Light module - green |
| 2 Position in enclosure | Pushbutton - green |
| 3 Position in enclosure | |
| 4 Position in enclosure | |
| Contact design | 1 NC contact, 1 NO contacts |
| Actuators | Pushbutton |
| Actuator colour | green |
| Illumination module colour | green |
| Illuminated button actuator colour | |
| Cable entries | |
| Drill holes side B | 1 x M25 |
| Cable gland | 2721990000 - VG M25 EXE 12-17 CR7J G4 |
| Clamping range min. / max. | 12 mm / 17 mm |
| Approval and Marking | |
| Standards | IEC 60079-0, IEC 60079-7, IEC 60079-31 |
| Certificate No. (IECEX) | IECEXITA14.0013X |
| Certificate No. (ATEX) | TUEV14ATEX7606X |
| Certificate No. (EAC) | RUC-DE.BE02.B.00173 |
| Certificate No. (MARITREG) | 15.40082.250 |
| Marking | II 2 G Ex d e IIC T* Gb II 2 D Ex tb IIIC T*°C Db |
| Accessories | |
| Mounting feet | 9510910000 - MF POK BIG |

| | |
|--|--|
| Enclosure | |
| Dimensions with installation (HxBxD) | 152 / 120 / 128 mm |
| Material | Glass-fibre reinforced polyester with graphite mixture |
| General characteristics | |
| Surface finish / Colour | untreated / graphite black |
| Protection class | IP54, IP66 |
| Ambient temperature | -55 °C...+55 °C |
| Impact resistance | 4 joules in acc. with IEC 60079-0 |
| UL 94 flammability rating | V-0 |
| Enclosure seal material | Silicone (VMQ) |
| Seal material of operating and display elements | EPDM |
| Type of mounting | Wall mounting |
| External earth | Available on request |
| Lid attachment | Crosshead screws, stainless steel |
| Torque for lid screws | 2.5 Nm |
| Electrical properties* | |
| Wire connection cross section, finely stranded, max. | 2.5 mm ² |
| Operating voltage, max. | 250 V |
| Temperature class | T4, T5, T6 |
| Enclosure assembly | |
| 1 Position in enclosure | Light module - red |
| 2 Position in enclosure | EMERGENCY-STOP pushbutton with yellow, contrasting label |
| 3 Position in enclosure | |
| 4 Position in enclosure | |
| Contact design | 2 NC contact, positive opening contacts |
| Actuators | EMERGENCY STOP pushbutton |
| Actuator colour | red |
| Illumination module colour | red |
| Illuminated button actuator colour | |
| Cable entries | |
| Drill holes side B | 1 x M25 |
| Cable gland | 2721990000 - VG M25 EXE 12-17 CR7J G4 |
| Clamping range min. / max. | 12 mm / 17 mm |
| Approval and Marking | |
| Standards | IEC 60079-0, IEC 60079-7, IEC 60079-31 |
| Certificate No. (IECEX) | IECEXITA14.0013X |
| Certificate No. (ATEX) | TUEV14ATEX7606X |
| Certificate No. (EAC) | RUC-DE.TB08.B.01838 |
| Certificate No. (MARITREG) | 15.40082.250 |
| Marking | II 2 G Ex d e IIC T* Gb II 2 D Ex tb IIIC T*°C Db |
| Accessories | |
| Mounting feet | 9510910000 - MF POK BIG |

| | |
|-------------|--|
| Note | |
|-------------|--|

| | |
|-------------|--|
| Note | |
|-------------|--|

| | |
|-------------|--|
| Note | |
|-------------|--|

Ordering data

| | | |
|-------------------------|-------------|------------------|
| Type | Qty. | Order No. |
| KLIPPON CS POK 121209-4 | 1 | 1537120000 |

| | | |
|-------------------------|-------------|------------------|
| Type | Qty. | Order No. |
| KLIPPON CS POK 121209-4 | 1 | 1537120000 |

| | | |
|-------------------------|-------------|------------------|
| Type | Qty. | Order No. |
| KLIPPON CS POK 121209-4 | 1 | 1537130000 |

| | |
|-------------|--|
| Note | *Other temperature classes and connection values on request, or see "Notice to Installer". |
|-------------|--|

| | |
|-------------|--|
| Note | *Other temperature classes and connection values on request, or see "Notice to Installer". |
|-------------|--|

| | |
|-------------|--|
| Note | *Other temperature classes and connection values on request, or see "Notice to Installer". |
|-------------|--|

Klippon® CS POK 122209-2



| |
|--|
| 250 / 120 / 112 mm |
| Glass-fibre reinforced polyester with graphite mixture |
| untreated / graphite black |
| IP54, IP66 |
| -55 °C...+55 °C |
| 4 joules in acc. with IEC 60079-0 |
| V-0 |
| Silicone (VMQ) |
| EPDM |
| Wall mounting |
| Available on request |
| Crosshead screws, stainless steel |
| 2.5 Nm |
| 2.5 mm ² |
| 250 V |
| T4, T5, T6 |
| Pushbutton - red |
| Light module - green |
| Pushbutton - green |
| 2 NC contact, 2 NO contacts |
| Pushbutton |
| red, green |
| green |
| 1 x M25 |
| 2721990000 - VG M25 EXE 12-17 CR7J G4 |
| 12 mm / 17 mm |
| IEC 60079-0, IEC 60079-7, IEC 60079-31 |
| IECEXITA14.0013X |
| TUEV14ATEX7606X |
| RUC-DE.BE02.B.00173 |
| 15.40082.250 |
| II 2 G Ex d e IIC T* Gb |
| II 2 D Ex tb IIIC T*°C Db |
| 9510910000 - MF POK BIG |

Klippon® CS POK 122209-2



| |
|--|
| 250 / 120 / 103 mm |
| Glass-fibre reinforced polyester with graphite mixture |
| untreated / graphite black |
| IP54, IP66 |
| -55 °C...+55 °C |
| 7 joules in acc. with IEC 60079-0 |
| V-0 |
| Silicone (VMQ) |
| EPDM |
| Wall mounting |
| Available on request |
| Crosshead screws, stainless steel |
| 2.5 Nm |
| 2.5 mm ² |
| 400 V |
| T4, T5, T6 |
| Pushbutton - green |
| Pushbutton - red |
| Pushbutton - green |
| 3 NC contact, 3 NO contacts |
| Pushbutton |
| green, red |
| 1 x M25 |
| 2721990000 - VG M25 EXE 12-17 CR7J G4 |
| 12 mm / 17 mm |
| IEC 60079-0, IEC 60079-7, IEC 60079-31 |
| IECEXITA14.0013X |
| TUEV14ATEX7606X |
| RUC-DE.TB08.B.01838 |
| 15.40082.250 |
| II 2 G Ex d e IIC T* Gb |
| II 2 D Ex tb IIIC T*°C Db |
| 9510910000 - MF POK BIG |

Klippon® CS POK 122209-2



| |
|--|
| 250 / 120 / 128 mm |
| Glass-fibre reinforced polyester with graphite mixture |
| untreated / graphite black |
| IP54, IP66 |
| -55 °C...+55 °C |
| 7 joules in acc. with IEC 60079-0 |
| V-0 |
| Silicone (VMQ) |
| EPDM |
| Wall mounting |
| Available on request |
| Crosshead screws, stainless steel |
| 2.5 Nm |
| 2.5 mm ² |
| 400 V |
| T4, T5, T6 |
| Pushbutton - green |
| Pushbutton - red |
| EMERGENCY-STOP pushbutton with yellow, contrasting label |
| 2 NO contacts, 2 NC contact, positive opening contacts |
| Pushbutton, EMERGENCY STOP pushbutton |
| green, red |
| 1 x M25 |
| 2721990000 - VG M25 EXE 12-17 CR7J G4 |
| 12 mm / 17 mm |
| IEC 60079-0, IEC 60079-7, IEC 60079-31 |
| IECEXITA14.0013X |
| TUEV14ATEX7606X |
| RUC-DE.BE02.B.00173 |
| 15.40082.250 |
| II 2 G Ex d e IIC T* Gb |
| II 2 D Ex tb IIIC T*°C Db |
| 9510910000 - MF POK BIG |

| Type | Qty. | Order No. |
|-------------------------|------|------------|
| KLIPPON CS POK 122209-2 | 1 | 1537140000 |

| Type | Qty. | Order No. |
|-------------------------|------|------------|
| KLIPPON CS POK 122209-2 | 1 | 1537150000 |

| Type | Qty. | Order No. |
|-------------------------|------|------------|
| KLIPPON CS POK 122209-2 | 1 | 1537170000 |

*Other temperature classes and connection values on request, or see "Notice to Installer".

*Other temperature classes and connection values on request, or see "Notice to Installer".

*Other temperature classes and connection values on request, or see "Notice to Installer".

Klippon® CS POK 122209-4



Technical data

| | |
|--|--|
| Enclosure | |
| Dimensions with installation (HxBxD) | 250 / 120 / 112 mm |
| Material | Glass-fibre reinforced polyester with graphite mixture |
| General characteristics | |
| Surface finish / Colour | untreated / graphite black |
| Protection class | IP54, IP66 |
| Ambient temperature | -55 °C...+55 °C |
| Impact resistance | 4 joules in acc. with IEC 60079-0 |
| UL 94 flammability rating | V-0 |
| Enclosure seal material | Silicone (VMQ) |
| Seal material of operating and display elements | EPDM |
| Type of mounting | Wall mounting |
| External earth | Available on request |
| Lid attachment | Crosshead screws, stainless steel |
| Torque for lid screws | 2.5 Nm |
| Electrical properties* | |
| Wire connection cross section, finely stranded, max. | 2.5 mm ² |
| Operating voltage, max. | 250 V |
| Temperature class | T4, T5, T6 |
| Enclosure assembly | |
| 1 Position in enclosure | Light module - red |
| 2 Position in enclosure | Pushbutton - red |
| 3 Position in enclosure | Light module - green |
| 4 Position in enclosure | Pushbutton - green |
| Contact design | 2 NC contact, 2 NO contacts |
| Actuators | Pushbutton |
| Actuator colour | green, red |
| Illumination module colour | red, green |
| Illuminated button actuator colour | |
| Cable entries | |
| Drill holes side B | 1 x M25 |
| Cable gland | 2721990000 - VG M25 EXE 12-17 CR7J G4 |
| Clamping range min. / max. | 12 mm / 17 mm |
| Approval and Marking | |
| Standards | IEC 60079-0, IEC 60079-7, IEC 60079-31 |
| Certificate No. (IECEX) | IECEXITA14.0013X |
| Certificate No. (ATEX) | TUEV14ATEX7606X |
| Certificate No. (EAC) | RUC-DE.BE02.B.00173 |
| Certificate No. (MARITREG) | 15.40082.250 |
| Marking | II 2 G Ex d e IIC T* Gb II 2 D Ex tb IIIC T*°C Db |
| Accessories | |
| Mounting feet | 9510910000 - MF POK BIG |

| | |
|-------------|--|
| Note | |
|-------------|--|

Ordering data

| Type | Qty. | Order No. |
|-------------------------|------|------------|
| KLIPPON CS POK 122209-4 | 1 | 1537180000 |

| | |
|-------------|--|
| Note | *Other temperature classes and connection values on request, or see "Notice to Installer". |
|-------------|--|

TBF – Large polyester enclosures

The enclosures in the TBF range are made from sturdy glass-fibre reinforced polyester. They offer a universal solution for protection of components such as controllers, measuring instruments, valves and other devices. Suitable applications include photovoltaics and energy distribution.

Key features of this product range include:

- Available in 9 sizes, with grey or transparent lids
- The lid has nylon screws fitted
- Mounting holes are outside the sealed area
- Thread for fitting to terminal rails and mounting plates
- High Ingress Protection (IP 66 and IP 67)

Weidmüller manufactures and supplies the enclosures to match customer specifications – fully fitted with terminals, electronics and cable glands.



Use our online catalogue to find additional product details, technical information and additional services:

www.weidmueller.com/TBF

Overview of enclosures

Ordering data

| Description | Dimensions in mm | Grey lid | Transparent lid |
|-------------|-----------------------|------------|-----------------|
| TBF 19/15 | 186 x 151 x 140 | 0360100000 | 0500500000 |
| TBF 30/19 | 302 x 186 x 175 | 0360200000 | 0500600000 |
| TBF 30/30 | 302 x 302 x 175 | 0360300000 | 0500700000 |
| TBF 37/30 | 372 x 302 x 175 | 0360400000 | 0500800000 |
| TBF 49/30 | 488 x 302 x 175 / 210 | 9502800000 | 9502840000 |
| TBF 56/30 | 558 x 302 x 175 / 210 | 9502810000 | 9502850000 |
| TBF 60/30 | 603 x 302 x 175 / 210 | 0360500000 | 0500900000 |
| TBF 60/37 | 603 x 372 x 175 / 210 | 9502820000 | 9502860000 |
| TBF 60/60 | 603 x 603 x 175 / 210 | 9502830000 | 9502870000 |

Note

Technical Overview

Features

- Extremely tough and impact resistant thanks to the glass-fibre reinforced polyester
- Extremely weather resistant
- High IP rating
- Approved according to the latest international standards

Note We deliver enclosures through our assembly service which are ready to be connected and suitable for every application.

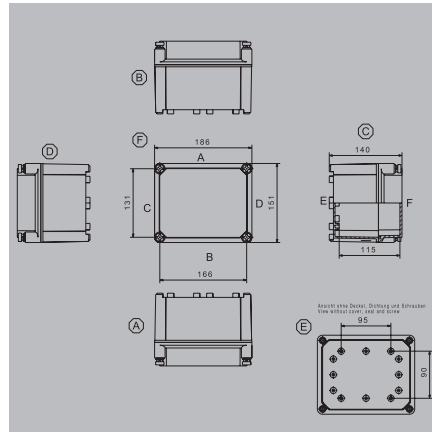
Technical data

| | Grey lid | Transparent lid |
|------------------------------|--|--|
| Enclosure material | Base and lid made of glass-fibre reinforced polyester (GRP) | Base made of glass-fibre reinforced polyester (GRP) Lid is polycarbonate (PC) |
| Surface finish | grey, similar to RAL 7035 | |
| IP protection class | IP66 and IP67 | IP 66 |
| Installation mounting | 4 or 6 M4 clamping screws | 4 or 6 M4 clamping screws |
| Enclosure mounting | 4 holes of 7 mm diameter or with external fastening lugs, see accessories | 4 holes of 7 mm diameter or with external fastening lugs, see accessories |
| Lid fixing | 4, 6 or 8 captive cross-headed nylon screws | 4, 6 or 8 captive cross-headed nylon screws |
| Impact resistance | IK08 to IEC 62208 IK10 to EN/IEC 62262 | IK08 to IEC 62208 IK10 to EN/IEC 62262 |
| Gasket material | Polyurethane | Polyurethane |
| Temperature range | -50 °C...+130 °C (permanent temperature max. 70°C) | -35 °C...+120 °C (permanent temperature max. 70°C) |
| Flammability characteristics | UL 94 HB | V2 |
| Toxicity | Free from halogens | Free from halogens |
| Note | For details of power dissipation, please contact your Weidmüller representative. | |



TBF 19/15

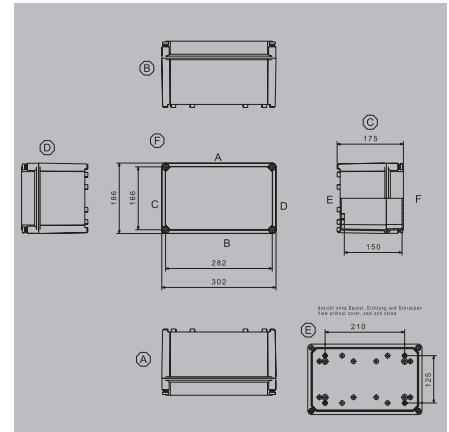
140 mm



186 / 151 / 140 mm

TBF 30/19

175 mm



302 / 186 / 175 mm

Height / Width / Depth

Technical data

Assembly with terminal

- 2.5 mm²
- 4 mm²
- 6 mm²
- 10 mm²
- 16 mm²
- 35 mm²

Guide value for max. number of cable entries

- M12
- M16
- M20
- M25
- M32
- M40
- M50
- M63
- M75

Note

Ordering data

- Enclosure with grey lid
- Enclosure with transparent lid

Note

Accessories

Mounting plates and fastening screws

- Steel sheet, zinc plated
- M4 screw

External mounting lug, set of 4

- Polyamide

Earthing stud

- Brass, M6
- Stainless steel 1.4404, M6
- Brass, M10
- Stainless steel 1.4404, M10

Pressure compensation elements

- Polyamide 6, M12
- Stainless steel 1.4305, M12

Note

vertical

- 1x11
- 1x9
- 1x7
- 1x6
- 1x4
- 1x3

horizontal

- 1x18
- 1x15
- 1x7
- 1x9
- 1x6
- 1x5

A / B

- 11
- 6
- 2
- 2
- 1
- 1

C / D

- 11
- 6
- 2
- 1
- 1
- 1

vertical

- 2x22
- 2x18
- 2x14
- 2x11
- 2x8
- 2x7

horizontal

- 1x44
- 1x37
- 2x14
- 1x22
- 1x16
- 1x14

A / B

- 28
- 14
- 11
- 6
- 3
- 3
- 1
- 1

C / D

- 53
- 30
- 22
- 10
- 5
- 3
- 3
- 2

| Type | Qty. | Order No. |
|-------------------|------|------------|
| TBF 19/15/14 7035 | 1 | 0360100000 |
| TBF 19/15/14 TRSP | 1 | 0500500000 |

| Type | Qty. | Order No. |
|------------------|------|------------|
| MP TBF 19/15 | 1 | 9502720000 |
| FKSC M4X6 D8/SW2 | 100 | 1567480000 |
| MF TBF | 1 | 0360800000 |
| PEBZ M6 BR SET | 1 | 1277250000 |
| PEBZ M6 S4 SET | 1 | 1283430000 |
| PEBZ M10 BR SET | 1 | 1277220000 |
| PEBZ M10 S4 SET | 1 | 1283440000 |

| | | |
|-----------------|----|------------|
| DAE M12 PA LONG | 10 | 1868570000 |
| DAE M12 SS | 10 | 1868550000 |

| Type | Qty. | Order No. |
|-------------------|------|------------|
| TBF 30/19/18 7035 | 1 | 0360200000 |
| TBF 30/19/18 TRSP | 1 | 0500600000 |

| Type | Qty. | Order No. |
|------------------|------|------------|
| MP TBF 30/19 | 1 | 3018950000 |
| FKSC M4X6 D8/SW2 | 100 | 1567480000 |
| MF TBF | 1 | 0360800000 |
| PEBZ M6 BR SET | 1 | 1277250000 |
| PEBZ M6 S4 SET | 1 | 1283430000 |
| PEBZ M10 BR SET | 1 | 1277220000 |
| PEBZ M10 S4 SET | 1 | 1283440000 |

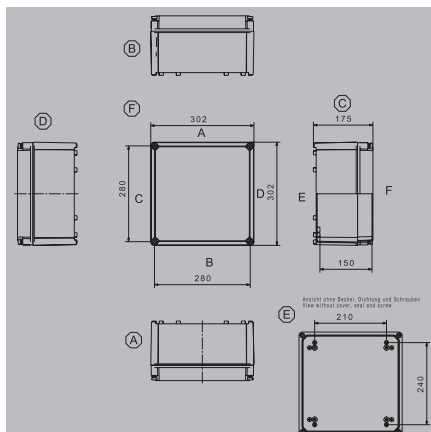
| | | |
|-----------------|----|------------|
| DAE M12 PA LONG | 10 | 1868570000 |
| DAE M12 SS | 10 | 1868550000 |

Note



TBF 30/30

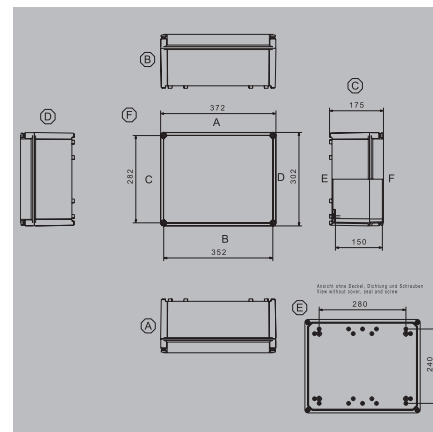
175 mm



302 / 302 / 175 mm

TBF 37/30

175 mm



372 / 302 / 175 mm

Height / Width / Depth

Technical data

| Assembly with terminal |
|--|
| 2.5 mm ² |
| 4 mm ² |
| 6 mm ² |
| 10 mm ² |
| 16 mm ² |
| 35 mm ² |
| Guide value for max. number of cable entries |
| M12 |
| M16 |
| M20 |
| M25 |
| M32 |
| M40 |
| M50 |
| M63 |
| M75 |
| Note |

| | vertical | horizontal |
|------|----------|------------|
| | 2x44 | 1x44 |
| | 2x37 | 1x37 |
| | 2x28 | 2x28 |
| | 2x22 | 1x22 |
| | 2x16 | 1x16 |
| | 2x14 | 1x14 |
| | A / B | C / D |
| | 44 | 44 |
| | 24 | 24 |
| | 20 | 20 |
| | 10 | 10 |
| | 4 | 4 |
| | 3 | 3 |
| | 3 | 3 |
| | 2 | 2 |
| Note | | |

| | vertical | horizontal |
|------|----------|------------|
| | 2x57 | 2x44 |
| | 2x48 | 2x37 |
| | 2x36 | 2x36 |
| | 2x29 | 2x22 |
| | 2x21 | 2x16 |
| | 2x18 | 2x14 |
| | A / B | C / D |
| | 44 | 56 |
| | 24 | 30 |
| | 20 | 27 |
| | 10 | 12 |
| | 4 | 5 |
| | 3 | 4 |
| | 3 | 4 |
| | 2 | 3 |
| Note | | |

Ordering data

| Type | Qty. | Order No. |
|-------------------|------|------------|
| TBF 30/30/18 7035 | 1 | 0360300000 |
| TBF 30/30/18 TRSP | 1 | 0500700000 |
| Note | | |

| Type | Qty. | Order No. |
|-------------------|------|------------|
| TBF 30/30/18 7035 | 1 | 0360300000 |
| TBF 30/30/18 TRSP | 1 | 0500700000 |
| Note | | |

| Type | Qty. | Order No. |
|-------------------|------|------------|
| TBF 37/30/18 7035 | 1 | 0360400000 |
| TBF 37/30/18 TRSP | 1 | 0500800000 |
| Note | | |

Accessories

| Mounting plates and fastening screws |
|--------------------------------------|
| Steel sheet, zinc plated |
| M4 screw |
| External mounting lug, set of 4 |
| Polyamide |
| Earthing stud |
| Brass, M6 |
| Stainless steel 1.4404, M6 |
| Brass, M10 |
| Stainless steel 1.4404, M10 |
| Pressure compensation elements |
| Polyamide 6, M12 |
| Stainless steel 1.4305, M12 |
| Note |

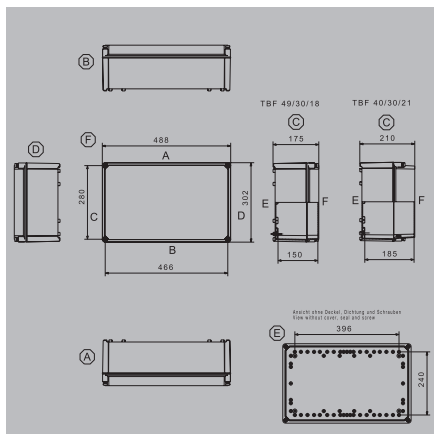
| Type | Qty. | Order No. |
|------------------|------|------------|
| MP TBF 30/30 | 1 | 9502730000 |
| FKSC M4X6 D8/SW2 | 100 | 1567480000 |
| MF TBF | 1 | 0360800000 |
| PEBZ M6 BR SET | 1 | 1277250000 |
| PEBZ M6 S4 SET | 1 | 1283430000 |
| PEBZ M10 BR SET | 1 | 1277220000 |
| PEBZ M10 S4 SET | 1 | 1283440000 |
| DAE M12 PA LONG | 10 | 1868570000 |
| DAE M12 SS | 10 | 1868550000 |
| Note | | |

| Type | Qty. | Order No. |
|------------------|------|------------|
| MP TBF 37/30 | 1 | 9502740000 |
| FKSC M4X6 D8/SW2 | 100 | 1567480000 |
| MF TBF | 1 | 0360800000 |
| PEBZ M6 BR SET | 1 | 1277250000 |
| PEBZ M6 S4 SET | 1 | 1283430000 |
| PEBZ M10 BR SET | 1 | 1277220000 |
| PEBZ M10 S4 SET | 1 | 1283440000 |
| DAE M12 PA LONG | 10 | 1868570000 |
| DAE M12 SS | 10 | 1868550000 |
| Note | | |



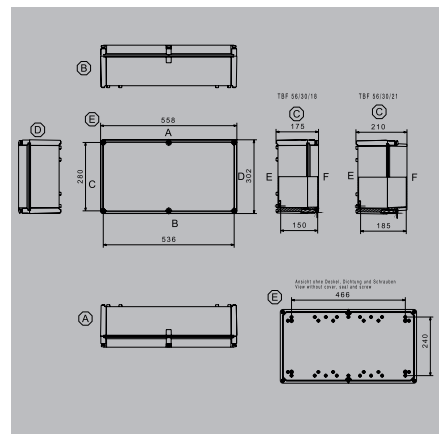
TBF 49/30

175 mm



TBF 56/30

175 mm



Height / Width / Depth

488 / 302 / 175 mm

558 / 302 / 175 mm

Technical data

| Assembly with terminal |
|--|
| 2.5 mm ² |
| 4 mm ² |
| 6 mm ² |
| 10 mm ² |
| 16 mm ² |
| 35 mm ² |
| Guide value for max. number of cable entries |
| M12 |
| M16 |
| M20 |
| M25 |
| M32 |
| M40 |
| M50 |
| M63 |
| M75 |
| Note |

| | vertical | horizontal |
|------|----------|------------|
| | 2x80 | 3x44 |
| | 2x67 | 3x37 |
| | 2x51 | 2x51 |
| | 2x41 | 3x22 |
| | 2x29 | 3x16 |
| | 2x25 | 3x14 |
| | A / B | C / D |
| | 44 | 42 |
| | 24 | 42 |
| | 20 | 36 |
| | 10 | 18 |
| | 4 | 7 |
| | 3 | 5 |
| | 3 | 5 |
| | 2 | 4 |
| Note | | |

| | vertical | horizontal |
|------|----------|------------|
| | 2x94 | 4x44 |
| | 2x79 | 4x37 |
| | 2x59 | 2x59 |
| | 2x48 | 4x22 |
| | 2x34 | 4x16 |
| | 2x30 | 4x14 |
| | A / B | C / D |
| | 44 | 80 |
| | 24 | 46 |
| | 20 | 40 |
| | 10 | 18 |
| | 4 | 8 |
| | 3 | 6 |
| | 3 | 4 |
| | 2 | 4 |
| Note | | |

Ordering data

| Type | Qty. | Order No. |
|--------------------------------|------|------------|
| Enclosure with grey lid | 1 | 9502800000 |
| Enclosure with transparent lid | 1 | 9502840000 |
| Note | | |

| Type | Qty. | Order No. |
|--|------|------------|
| TBF 49/30/18 7035 | 1 | 9502800000 |
| TBF 49/30/21 TRSP | 1 | 9502840000 |
| Grey lid: 130 mm internal height, 175 mm total height | | |
| Transparent lid: 160 mm internal height, 210 mm total height | | |
| Note | | |

| Type | Qty. | Order No. |
|--|------|------------|
| TBF 56/30/18 7035 | 1 | 9502810000 |
| TBF 56/30/21 TRSP | 1 | 9502850000 |
| Grey lid: 130 mm internal height, 175 mm total height | | |
| Transparent lid: 160 mm internal height, 210 mm total height | | |
| Note | | |

Accessories

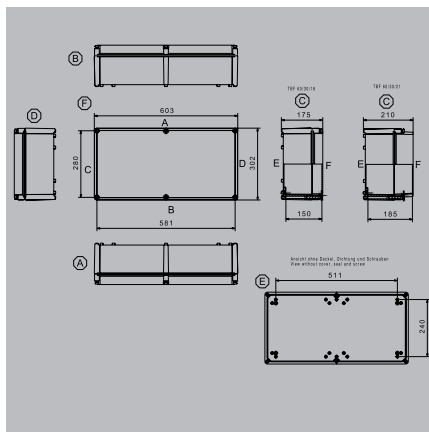
| Mounting plates and fastening screws |
|--------------------------------------|
| Steel sheet, zinc plated |
| M4 screw |
| External mounting lug, set of 4 |
| Polyamide |
| Earthing stud |
| Brass, M6 |
| Stainless steel 1.4404, M6 |
| Brass, M10 |
| Stainless steel 1.4404, M10 |
| Pressure compensation elements |
| Polyamide 6, M12 |
| Stainless steel 1.4305, M12 |
| Note |

| Type | Qty. | Order No. |
|------------------|------|------------|
| MP TBF 49/30 | 1 | 9500960000 |
| FKSC M4X6 D8/SW2 | 100 | 1567480000 |
| MF TBF | 1 | 0360800000 |
| PEBZ M6 BR SET | 1 | 1277250000 |
| PEBZ M6 S4 SET | 1 | 1283430000 |
| PEBZ M10 BR SET | 1 | 1277220000 |
| PEBZ M10 S4 SET | 1 | 1283440000 |
| DAE M12 PA LONG | 10 | 1868570000 |
| DAE M12 SS | 10 | 1868550000 |
| Note | | |

| Type | Qty. | Order No. |
|------------------|------|------------|
| MP TBF 56/30 | 1 | 9500950000 |
| FKSC M4X6 D8/SW2 | 100 | 1567480000 |
| MF TBF | 1 | 0360800000 |
| PEBZ M6 BR SET | 1 | 1277250000 |
| PEBZ M6 S4 SET | 1 | 1283430000 |
| PEBZ M10 BR SET | 1 | 1277220000 |
| PEBZ M10 S4 SET | 1 | 1283440000 |
| DAE M12 PA LONG | 10 | 1868570000 |
| DAE M12 SS | 10 | 1868550000 |
| Note | | |

TBF 60/30

175 mm



Height / Width / Depth

603 / 302 / 175 mm

Technical data

Assembly with terminal

- 2.5 mm²
- 4 mm²
- 6 mm²
- 10 mm²
- 16 mm²
- 35 mm²

Guide value for max. number of cable entries

- M12
- M16
- M20
- M25
- M32
- M40
- M50
- M63
- M75

| | vertical | horizontal |
|--|----------|------------|
| | 5x44 | 1x101 |
| | 5x37 | 1x85 |
| | 5x28 | 5x28 |
| | 5x22 | 1x51 |
| | 5x16 | 1x37 |
| | 5x14 | 1x32 |
| | A / B | C / D |
| | 44 | 88 |
| | 24 | 48 |
| | 20 | 40 |
| | 10 | 20 |
| | 4 | 8 |
| | 3 | 6 |
| | 3 | 6 |
| | 2 | 4 |

Note

Ordering data

- Enclosure with grey lid
- Enclosure with transparent lid

Note

| Type | Qty. | Order No. |
|-------------------|------|------------|
| TBF 60/30/18 7035 | 1 | 0360500000 |
| TBF 60/30/21 TRSP | 1 | 0500900000 |

Grey lid: 130 mm internal height, 175 mm total height
Transparent lid: 160 mm internal height, 210 mm total height

Accessories

Mounting plates and fastening screws

- Steel sheet, zinc plated
- M4 screw

External mounting lug, set of 4

Polyamide

Earthing stud

- Brass, M6
- Stainless steel 1.4404, M6
- Brass, M10
- Stainless steel 1.4404, M10

Pressure compensation elements

- Polyamide 6, M12
- Stainless steel 1.4305, M12

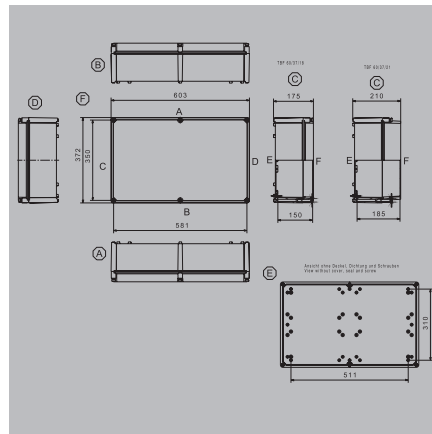
| Type | Qty. | Order No. |
|------------------|------|------------|
| MP TBF 60/30 | 1 | 9502750000 |
| FKSC M4X6 D8/SW2 | 100 | 1567480000 |
| MF TBF | 1 | 0360800000 |
| PEBZ M6 BR SET | 1 | 1277250000 |
| PEBZ M6 S4 SET | 1 | 1283430000 |
| PEBZ M10 BR SET | 1 | 1277220000 |
| PEBZ M10 S4 SET | 1 | 1283440000 |
| DAE M12 PA LONG | 10 | 1868570000 |
| DAE M12 SS | 10 | 1868550000 |

Note



TBF 60/37

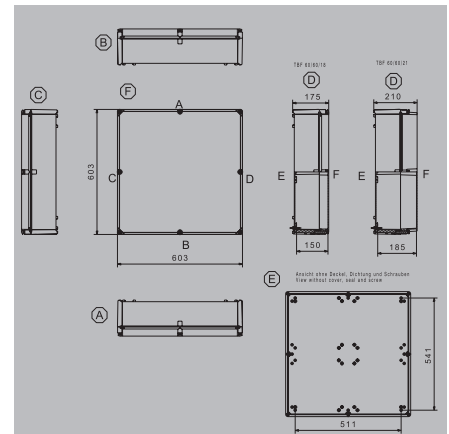
175 mm



603 / 372 / 175 mm

TBF 60/60

175 mm



603 / 605 / 175 mm

Height / Width / Depth

Technical data

Assembly with terminal

- 2.5 mm²
- 4 mm²
- 6 mm²
- 10 mm²
- 16 mm²
- 35 mm²

Guide value for max. number of cable entries

- M12
- M16
- M20
- M25
- M32
- M40
- M50
- M63
- M75

Note

Ordering data

- Enclosure with grey lid
- Enclosure with transparent lid

Note

Accessories

Mounting plates and fastening screws

- Steel sheet, zinc plated
- M4 screw

External mounting lug, set of 4

- Polyamide

Earthing stud

- Brass, M6
- Stainless steel 1.4404, M6
- Brass, M10
- Stainless steel 1.4404, M10

Pressure compensation elements

- Polyamide 6, M12
- Stainless steel 1.4305, M12

Note

| | vertical | horizontal |
|--|----------|------------|
| | 5x57 | 2x101 |
| | 5x48 | 2x85 |
| | 5x36 | 5x36 |
| | 5x29 | 2x51 |
| | 5x21 | 2x37 |
| | 5x18 | 2x32 |
| | A / B | C / D |
| | 52 | 88 |
| | 30 | 48 |
| | 26 | 40 |
| | 12 | 20 |
| | 5 | 8 |
| | 4 | 6 |
| | 4 | 6 |
| | 3 | 4 |

| Type | Qty. | Order No. |
|-------------------|------|------------|
| TBF 60/37/18 7035 | 1 | 9502820000 |
| TBF 60/37/21 TRSP | 1 | 9502860000 |

Grey lid: 130 mm internal height, 175 mm total height
Transparent lid: 160 mm internal height, 210 mm total height

| Type | Qty. | Order No. |
|------------------|------|------------|
| MP TBF 60/37 | 1 | 9502910000 |
| FKSC M4X6 D8/SW2 | 100 | 1567480000 |
| MF TBF | 1 | 0360800000 |
| PEBZ M6 BR SET | 1 | 1277250000 |
| PEBZ M6 S4 SET | 1 | 1283430000 |
| PEBZ M10 BR SET | 1 | 1277220000 |
| PEBZ M10 S4 SET | 1 | 1283440000 |
| DAE M12 PA LONG | 10 | 1868570000 |
| DAE M12 SS | 10 | 1868550000 |

| | vertical | horizontal |
|--|----------|------------|
| | 5x101 | 4x101 |
| | 5x85 | 4x85 |
| | 5x64 | 5x64 |
| | 5x51 | 4x51 |
| | 5x37 | 4x37 |
| | 5x32 | 4x32 |
| | A / B | C / D |
| | 88 | 88 |
| | 48 | 48 |
| | 40 | 40 |
| | 20 | 20 |
| | 8 | 8 |
| | 6 | 6 |
| | 6 | 6 |
| | 4 | 4 |

| Type | Qty. | Order No. |
|-------------------|------|------------|
| TBF 60/60/18 7035 | 1 | 9502830000 |
| TBF 60/60/21 TRSP | 1 | 9502870000 |

Grey lid: 130 mm internal height, 175 mm total height
Transparent lid: 160 mm internal height, 210 mm total height

| Type | Qty. | Order No. |
|------------------|------|------------|
| MP TBF 60/60 | 1 | 9502920000 |
| FKSC M4X6 D8/SW2 | 100 | 1567480000 |
| MF TBF | 1 | 0360800000 |
| PEBZ M6 BR SET | 1 | 1277250000 |
| PEBZ M6 S4 SET | 1 | 1283430000 |
| PEBZ M10 BR SET | 1 | 1277220000 |
| PEBZ M10 S4 SET | 1 | 1283440000 |
| DAE M12 PA LONG | 10 | 1868570000 |
| DAE M12 SS | 10 | 1868550000 |

Note

MPC – Small polycarbonate enclosures

The polycarbonate enclosures of the MPC range are ideal for enclosing electrical, electro-mechanical and pneumatic devices as well as PCBs. The enclosures are used in situations with extreme mechanical and chemical conditions.

The characteristics of the enclosures are:

- Available in 17 sizes, with grey or transparent lids
- Lid fixing screws equipped with sealing holes
- Fixing holes outside the sealed area
- Thread for fitting to terminal rails, mounting plates and PCBs

Weidmüller manufactures and supplies the enclosures to match customer specifications – fully fitted with terminals, electronics and cable glands.



Use our online catalogue to find additional product details, technical information and additional services:

www.weidmueller.com/MPC

Overview of enclosures

Ordering data

| Description | Dimensions in mm | Grey lid | Transparent lid |
|--------------|------------------|------------|-----------------|
| MPC 07/12/07 | 75 x 125 x 75 | 9535170000 | 9535180000 |
| MPC 07/12/10 | 75 x 125 x 100 | 9535190000 | 9535200000 |
| MPC 07/12/12 | 75 x 125 x 120 | 9535210000 | 9535220000 |
| MPC 12/12/07 | 120 x 120 x 75 | 9535230000 | 9535240000 |
| MPC 12/12/10 | 120 x 120 x 100 | 9535250000 | 9535260000 |
| MPC 12/12/12 | 120 x 120 x 120 | 9535270000 | 9535280000 |
| MPC 12/17/07 | 120 x 175 x 75 | 9535290000 | 9535300000 |
| MPC 12/17/10 | 120 x 175 x 100 | 9535310000 | 9535320000 |
| MPC 12/17/12 | 120 x 175 x 120 | 9535330000 | 9535340000 |
| MPC 12/17/15 | 120 x 175 x 150 | 9535350000 | 9535360000 |
| MPC 17/17/07 | 175 x 175 x 75 | 9535370000 | 9535380000 |
| MPC 17/17/10 | 175 x 175 x 100 | 9535390000 | 9535400000 |
| MPC 17/17/12 | 175 x 175 x 120 | 9535410000 | |
| MPC 17/17/15 | 175 x 175 x 150 | 9535430000 | 9535440000 |
| MPC 17/25/07 | 175 x 250 x 75 | 9535450000 | |
| MPC 17/25/10 | 175 x 250 x 100 | 9535470000 | 9535480000 |
| MPC 17/25/15 | 175 x 250 x 150 | 9535490000 | 9535500000 |

Note

Technical Overview

Features

- High thermal stability thanks to the polycarbonate
- Extremely tough and impact resistant thanks to the high fibre-glass content.
- Good IP rating, due to use of polyurethane (PUR) gasket material
- Approved according to the latest international standards

Note We deliver enclosures through our assembly service which are ready to be connected and suitable for every application.

Technical data

| | Grey lid | Transparent lid |
|-----------------------|--|--|
| Enclosure material | Base and lid made of glass-fibre reinforced polycarbonate | Base made of glass-fibre reinforced polycarbonate, ABS lid |
| Cover | Grey | Transparent |
| Surface finish | Grey, similar to RAL 7035 | Grey, similar to RAL 7035 |
| IP protection class | IP 66, IP 67 | IP 66, IP 67 |
| Installation mounting | Self-tapping screws | Self-tapping screws |
| Enclosure mounting | 4 holes (4.5 mm diameter) or external mounting brackets (optional) | 4 holes (4.5 mm diameter) or external mounting brackets (optional) |
| Lid fixing | 4 cross-head screws (polyamide) | 4 cross-head screws (polyamide) |
| Gasket material | Polyurethane foam | Polyurethane foam |
| Temperature range | -50 °C...+100 °C | -40 °C...+60 °C |
| Impact resistance | IK 08 | IK 06 |
| Note | For details of power dissipation, please contact your Weidmüller representative. | |



Height / Width / Depth

Technical data

Assembly with terminal

- 2.5 mm²
- 4 mm²
- 6 mm²
- 10 mm²
- 16 mm²
- 35 mm²

Guide value for max. number of cable entries

- M12
- M16
- M20
- M25
- M32
- M40
- M50
- M63
- M75

Note

Ordering data

- Enclosure with grey lid
- Enclosure with transparent lid

Note

Accessories

Mounting plates and fastening screws

- Steel sheet, zinc plated
- M4 screw

Mounting rails, TS15x5

- Vertical
- Horizontally

Mounting rails, TS35x7.5

- Horizontally
- Vertical

External mounting lug, set of 4

Hinge, set of 2

Earthing stud

- Brass, M6
- Stainless steel 1.4404, M6
- Brass, M10
- Stainless steel 1.4404, M10

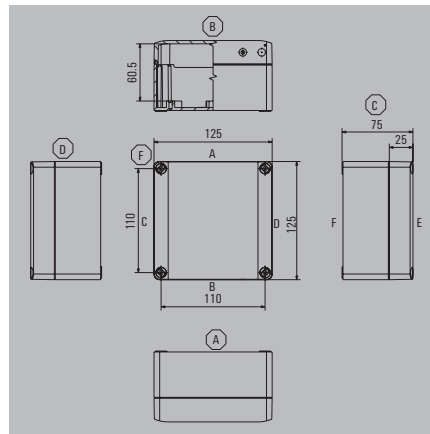
Pressure compensation elements

- Polyamide 6, M12
- Stainless steel 1.4305, M12

Note

MPC 12/12/07

75 mm



125 / 125 / 75 mm

| vertical | horizontal |
|----------|------------|
| 1x13 | 1x13 |
| 1x11 | 1x11 |
| 1x8 | 1x8 |
| 1x6 | 1x6 |

| A / B | C / D |
|-------|-------|
| 4 | 4 |
| 3 | 3 |
| 3 | |
| | |
| | |
| | |
| | |
| | |
| | |

Note

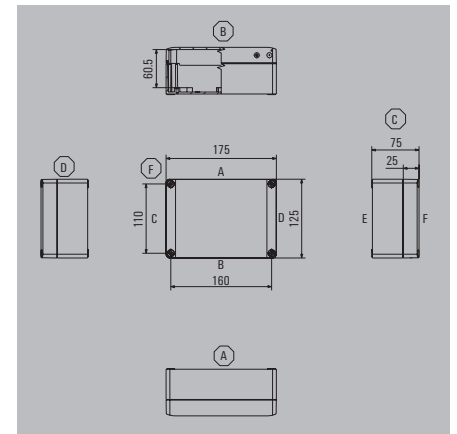
| Type | Qty. | Order No. |
|-------------------|------|------------|
| MPC 12/12/07 7035 | 1 | 9535230000 |
| MPC 12/12/07 TRSP | 1 | 9535240000 |

| Type | Qty. | Order No. |
|-----------------------|------|------------|
| MP MPC 12/12 | 10 | 9535550000 |
| FKSC M4X6 D8/SW2 | 100 | 1567480000 |
| TS15X5 ST MPC1217 VER | 20 | 8000037598 |
| TS 35x105_MPC_12 | 20 | 8000037603 |
| TS35 MPC 1717 VER | 20 | 8000037605 |
| MF MPC | 1 | 9535600000 |
| HG MPC | 1 | 9535590000 |
| PEBZ M6 BR SET | 1 | 1277250000 |
| PEBZ M6 S4 SET | 1 | 1283430000 |
| PEBZ M10 BR SET | 1 | 1277220000 |
| PEBZ M10 S4 SET | 1 | 1283440000 |
| DAE M12 PA LONG | 10 | 1868570000 |
| DAE M12 SS | 10 | 1868550000 |

Note

MPC 12/17/07

75 mm



125 / 175 / 75 mm

| vertical | horizontal |
|----------|------------|
| 1x22 | 1x22 |
| 1x19 | 1x19 |
| 1x14 | 1x14 |
| 1x11 | 1x11 |

| A / B | C / D |
|-------|-------|
| 4 | 6 |
| 3 | 4 |
| 3 | 4 |
| | |
| | |
| | |
| | |
| | |
| | |

Note

| Type | Qty. | Order No. |
|-------------------|------|------------|
| MPC 12/17/07 7035 | 1 | 9535290000 |
| MPC 12/17/07 TRSP | 1 | 9535300000 |

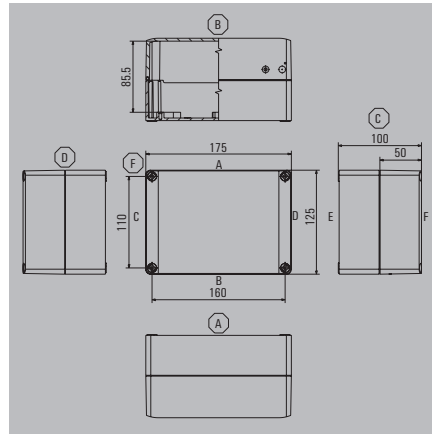
| Type | Qty. | Order No. |
|-------------------|------|------------|
| MP MPC 12/17 | 1 | 9535560000 |
| FKSC M4X6 D8/SW2 | 100 | 1567480000 |
| TS 35x105_MPC_12 | 20 | 8000037603 |
| TS35 MPC 1717 VER | 20 | 8000037605 |
| MF MPC | 1 | 9535600000 |
| HG MPC | 1 | 9535590000 |
| PEBZ M6 BR SET | 1 | 1277250000 |
| PEBZ M6 S4 SET | 1 | 1283430000 |
| PEBZ M10 BR SET | 1 | 1277220000 |
| PEBZ M10 S4 SET | 1 | 1283440000 |
| DAE M12 PA LONG | 10 | 1868570000 |
| DAE M12 SS | 10 | 1868550000 |

Note



MPC 12/17/10

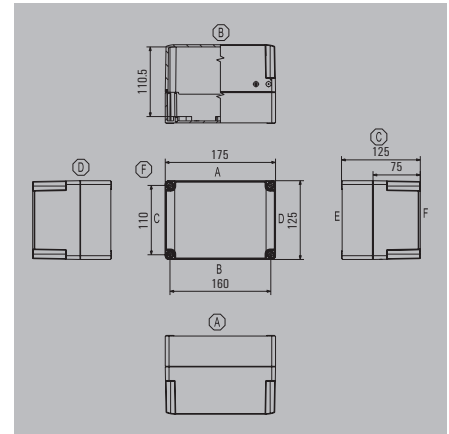
100 mm



125 / 175 / 100 mm

MPC 12/17/12

125 mm



125 / 175 / 125 mm

Height / Width / Depth

Technical data

Assembly with terminal

- 2.5 mm²
- 4 mm²
- 6 mm²
- 10 mm²
- 16 mm²
- 35 mm²

Guide value for max. number of cable entries

- M12
- M16
- M20
- M25
- M32
- M40
- M50
- M63
- M75

Note

| | vertical | horizontal |
|-------|----------|------------|
| | 1x22 | 1x22 |
| | 1x19 | 1x19 |
| | 1x14 | 1x14 |
| | 1x11 | 1x11 |
| | 1x9 | 1x5 |
| | 1x7 | 1x4 |
| A / B | C / D | |
| 4 | 6 | |
| 3 | 4 | |
| 3 | 4 | |
| | | |
| | | |
| | | |
| | | |
| | | |
| | | |
| | | |
| | | |
| | | |
| | | |

| | vertical | horizontal |
|-------|----------|------------|
| | 1x13 | 1x22 |
| | 1x11 | 1x19 |
| | 1x8 | 1x8 |
| | 1x6 | 1x11 |
| | 1x5 | 1x5 |
| | 1x4 | 1x4 |
| A / B | C / D | |
| 4 | 6 | |
| 3 | 4 | |
| 3 | 4 | |
| | | |
| | | |
| | | |
| | | |
| | | |
| | | |
| | | |
| | | |
| | | |
| | | |
| | | |
| | | |

Ordering data

- Enclosure with grey lid
- Enclosure with transparent lid

Note

| Type | Qty. | Order No. |
|-------------------|------|------------|
| MPC 12/17/10 7035 | 1 | 9535310000 |
| MPC 12/17/10 TRSP | 1 | 9535320000 |

| Type | Qty. | Order No. |
|-------------------|------|------------|
| MPC 12/17/12 7035 | 1 | 9535330000 |
| MPC 12/17/12 TRSP | 1 | 9535340000 |

Accessories

Mounting plates and fastening screws

- Steel sheet, zinc plated
- M4 screw

Mounting rails, TS15x5

- Vertical
- Horizontally

Mounting rails, TS35x7.5

- Horizontally
- Vertical

External mounting lug, set of 4

Hinge, set of 2

Earthing stud

- Brass, M6
- Stainless steel 1.4404, M6
- Brass, M10
- Stainless steel 1.4404, M10

Pressure compensation elements

- Polyamide 6, M12
- Stainless steel 1.4305, M12

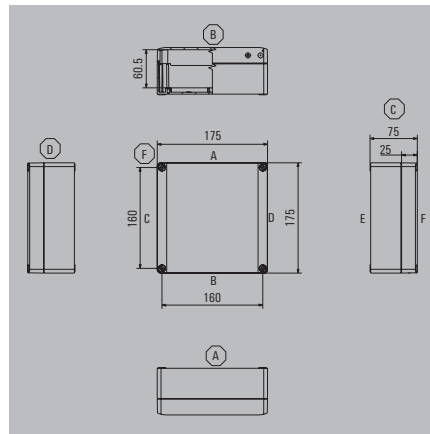
Note

| Type | Qty. | Order No. |
|-----------------------|------|------------|
| MP MPC 12/17 | 1 | 9535560000 |
| FKSC M4X6 D8/SW2 | 100 | 1567480000 |
| TS15X5 ST MPC1217 VER | 20 | 8000037598 |
| TS35 MPC 1717 VER | 20 | 8000037605 |
| MF MPC | 1 | 9535600000 |
| HG MPC | 1 | 9535590000 |
| PEBZ M6 BR SET | 1 | 1277250000 |
| PEBZ M6 S4 SET | 1 | 1283430000 |
| PEBZ M10 BR SET | 1 | 1277220000 |
| PEBZ M10 S4 SET | 1 | 1283440000 |
| DAE M12 PA LONG | 10 | 1868570000 |
| DAE M12 SS | 10 | 1868550000 |

| Type | Qty. | Order No. |
|--------------------|------|------------|
| MP MPC 12/17 | 1 | 9535560000 |
| FKSC M4X6 D8/SW2 | 100 | 1567480000 |
| TS15X5 MPC1217 VER | 20 | 8000037598 |
| TS35 MPC 1717 VER | 20 | 8000037605 |
| MF MPC | 1 | 9535600000 |
| HG MPC | 1 | 9535590000 |
| PEBZ M6 BR SET | 1 | 1277250000 |
| PEBZ M6 S4 SET | 1 | 1283430000 |
| PEBZ M10 BR SET | 1 | 1277220000 |
| PEBZ M10 S4 SET | 1 | 1283440000 |
| DAE M12 PA LONG | 10 | 1868570000 |
| DAE M12 SS | 10 | 1868550000 |

MPC 17/17/07

75 mm



Height / Width / Depth

175 / 175 / 75 mm

Technical data

Assembly with terminal

- 2.5 mm²
- 4 mm²
- 6 mm²
- 10 mm²
- 16 mm²
- 35 mm²

Guide value for max. number of cable entries

- M12
- M16
- M20
- M25
- M32
- M40
- M50
- M63
- M75

Note

| vertical | horizontal |
|----------|------------|
| 1x22 | 1x22 |
| 1x19 | 1x19 |
| 1x14 | 1x14 |
| 1x11 | 1x11 |

| A / B | C / D |
|-------|-------|
| 6 | 6 |
| 4 | 4 |
| 4 | |
| | |
| | |
| | |
| | |

Ordering data

- Enclosure with grey lid
- Enclosure with transparent lid

Note

| Type | Qty. | Order No. |
|-------------------|------|------------|
| MPC 17/17/07 7035 | 1 | 9535370000 |
| MPC 17/17/07 TRSP | 1 | 9535380000 |

Accessories

Mounting plates and fastening screws

- Steel sheet, zinc plated
- M4 screw

Mounting rails, TS15x5

- Vertical
- Horizontally

Mounting rails, TS35x7.5

- Horizontally
- Vertical

External mounting lug, set of 4

Hinge, set of 2

Earthing stud

- Brass, M6
- Stainless steel 1.4404, M6
- Brass, M10
- Stainless steel 1.4404, M10

Pressure compensation elements

- Polyamide 6, M12
- Stainless steel 1.4305, M12

Note

| Type | Qty. | Order No. |
|-------------------|------|------------|
| MP MPC 17/17 | 1 | 9535570000 |
| FKSC M4X6 D8/SW2 | 100 | 1567480000 |
| TS 35x105_MPC_12 | 20 | 8000037603 |
| TS35 MPC 1717 VER | 20 | 8000037605 |
| MF MPC | 1 | 9535600000 |
| HG MPC | 1 | 9535590000 |
| PEBZ M6 BR SET | 1 | 1277250000 |
| PEBZ M6 S4 SET | 1 | 1283430000 |
| PEBZ M10 BR SET | 1 | 1277220000 |
| PEBZ M10 S4 SET | 1 | 1283440000 |
| DAE M12 PA LONG | 10 | 1868570000 |
| DAE M12 SS | 10 | 1868550000 |

MPC - Polycarbonate enclosures



Height / Width / Depth

Technical data

Assembly with terminal

2.5 mm²
4 mm²
6 mm²
10 mm²
16 mm²
35 mm²

Guide value for max. number of cable entries

M12
M16
M20
M25
M32
M40
M50
M63
M75

Note

Ordering data

Enclosure with grey lid
Enclosure with transparent lid

Note

Accessories

Mounting plates and fastening screws

Steel sheet, zinc plated
M4 screw

Mounting rails, TS15x5

Vertical
Horizontally

Mounting rails, TS35x7.5

Horizontally
Vertically

External mounting lug, set of 4

Hinge, set of 2

Earthing stud

Brass, M6
Stainless steel 1.4404, M6
Brass, M10
Stainless steel 1.4404, M10

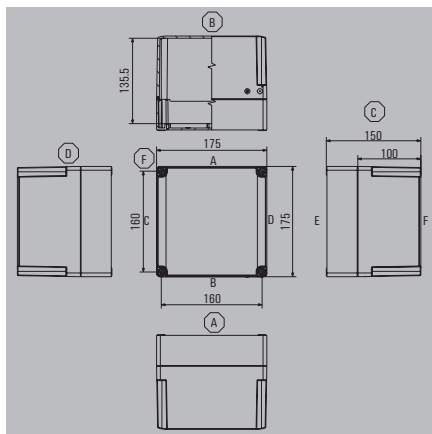
Pressure compensation elements

Polyamide 6, M12
Stainless steel 1.4305, M12

Note

MPC 17/17/15

150 mm



175 / 175 / 150 mm

vertical

1x22
1x19
1x14
1x11
1x9
1x7

horizontal

1x22
1x19
1x14
1x11
1x9
1x7

A / B

6
4
4

C / D

6
4

Type

Qty.

Order No.

MPC 17/17/15 7035 1 9535430000
MPC 17/17/15 TRSP 4 9535440000

Type

Qty.

Order No.

MP MPC 17/17 1 9535570000
FKSC M4X6 D8/SW2 100 1567480000

TS35X7.5 ST MPC1725 VER

20

8000037600

MF MPC

1

9535600000

HG MPC

1

9535590000

PEBZ M6 BR SET

1

1277250000

PEBZ M6 S4 SET

1

1283430000

PEBZ M10 BR SET

1

1277220000

PEBZ M10 S4 SET

1

1283440000

DAE M12 PA LONG

10

1868570000

DAE M12 SS

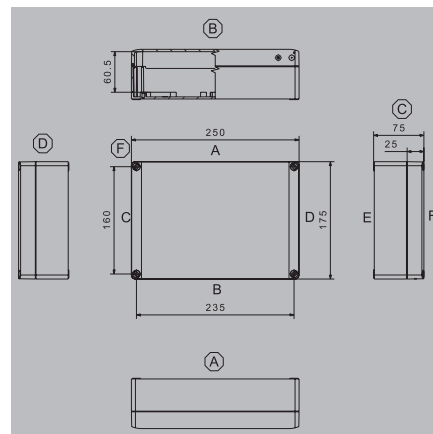
10

1868550000

Note

MPC 17/25/07

75 mm



250 / 175 / 75 mm

vertical

horizontal

A / B

C / D

Type

Qty.

Order No.

MPC 17/25/07 7035 1 9535450000

Type

Qty.

Order No.

MP MPC 17/25 1 9535580000
FKSC M4X6 D8/SW2 100 1567480000

TS35X7.5 MPC1725 HOR

20

8000037601

TS35X7.5 MPC1725 VER

20

8000037600

MF MPC

1

9535600000

HG MPC

1

9535590000

PEBZ M6 BR SET

1

1277250000

PEBZ M6 S4 SET

1

1283430000

PEBZ M10 BR SET

1

1277220000

PEBZ M10 S4 SET

1

1283440000

DAE M12 PA LONG

10

1868570000

DAE M12 SS

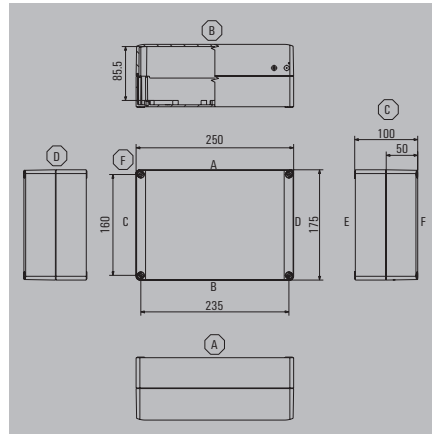
10

1868550000

Note

MPC 17/25/10

100 mm

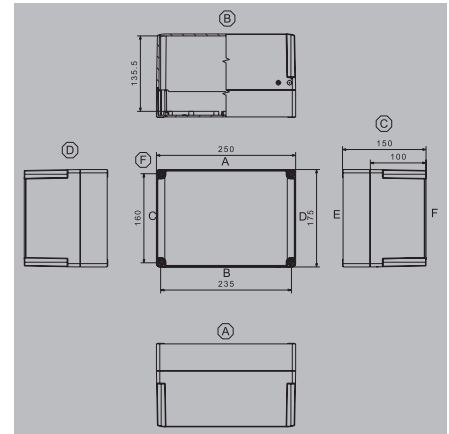


Height / Width / Depth

175 / 250 / 100 mm

MPC 17/25/15

150 mm



250 / 175 / 150 mm

Technical data

Assembly with terminal

2.5 mm²
4 mm²
6 mm²
10 mm²
16 mm²
35 mm²

Guide value for max. number of cable entries

M12
M16
M20
M25
M32
M40
M50
M63
M75

Note

| vertical | horizontal |
|----------|------------|
| 1x37 | 1x37 |
| 1x31 | 1x31 |
| 1x23 | 1x23 |
| 1x19 | 1x19 |
| 1x15 | 1x9 |
| 1x11 | 1x7 |

| A / B | C / D |
|-------|-------|
| 6 | 9 |
| 4 | 7 |
| 4 | 6 |

| vertical | horizontal |
|----------|------------|
| | |
| | |
| | |
| | |

| A / B | C / D |
|-------|-------|
| 1 | 9 |
| 1 | 7 |
| 1 | 6 |

Ordering data

Enclosure with grey lid
Enclosure with transparent lid

Note

| Type | Qty. | Order No. |
|-------------------|------|------------|
| MPC 17/25/10 7035 | 1 | 9535470000 |
| MPC 17/25/10 TRSP | 1 | 9535480000 |

| Type | Qty. | Order No. |
|-------------------|------|------------|
| MPC 17/25/15 7035 | 1 | 9535490000 |
| MPC 17/25/15 TRSP | 1 | 9535500000 |

Accessories

Mounting plates and fastening screws

Steel sheet, zinc plated
M4 screw

Mounting rails, TS15x5

Vertical
Horizontally

Mounting rails, TS35x7.5

Horizontally
Vertically

External mounting lug, set of 4

Hinge, set of 2

Earthing stud

Brass, M6
Stainless steel 1.4404, M6
Brass, M10
Stainless steel 1.4404, M10

Pressure compensation elements

Polyamide 6, M12
Stainless steel 1.4305, M12

Note

| Type | Qty. | Order No. |
|-------------------------|------|------------|
| MP MPC 17/25 | 1 | 9535580000 |
| FKSC M4X6 D8/SW2 | 100 | 1567480000 |
| TS35X7.5 ST MPC1725 HOR | 20 | 8000037601 |
| TS35X7.5 ST MPC1725 VER | 20 | 8000037600 |
| MF MPC | 1 | 9535600000 |
| HG MPC | 1 | 9535590000 |
| PEBZ M6 BR SET | 1 | 1277250000 |
| PEBZ M6 S4 SET | 1 | 1283430000 |
| PEBZ M10 BR SET | 1 | 1277220000 |
| PEBZ M10 S4 SET | 1 | 1283440000 |
| DAE M12 PA LONG | 10 | 1868570000 |
| DAE M12 SS | 10 | 1868550000 |

| Type | Qty. | Order No. |
|----------------------|------|------------|
| MP MPC 17/25 | 1 | 9535580000 |
| FKSC M4X6 D8/SW2 | 100 | 1567480000 |
| TS35X7.5 MPC1725 HOR | 20 | 8000037601 |
| TS35X7.5 MPC1725 VER | 20 | 8000037600 |
| MF MPC | 1 | 9535600000 |
| HG MPC | 1 | 9535590000 |
| PEBZ M6 BR SET | 1 | 1277250000 |
| PEBZ M6 S4 SET | 1 | 1283430000 |
| PEBZ M10 BR SET | 1 | 1277220000 |
| PEBZ M10 S4 SET | 1 | 1283440000 |
| DAE M12 PA LONG | 10 | 1868570000 |
| DAE M12 SS | 10 | 1868550000 |

FPC – Medium-sized polycarbonate enclosures

The FPC enclosure range is the next generation of the MPC range. The enclosures have the same technical characteristics and are ideal for enclosing electrical, electro-mechanical and pneumatic devices and PCBs. The enclosures are used in situations where extreme mechanical and chemical conditions exist.

The characteristics of the enclosures are:

- Available in 6 sizes, with grey or transparent lids
- Lid fixing screws equipped with sealing holes
- Fixing holes outside the sealed area
- Thread for fitting to terminal rails, mounting plates and PCBs

Weidmüller manufactures and supplies the enclosures to match customer specifications – fully fitted with terminals, electronics and cable glands.



i Use our online catalogue to find additional product details, technical information and additional services:
www.weidmueller.com/FPC

Overview of enclosures

Ordering data

| Description | Dimensions in mm | Grey lid | Transparent lid |
|--------------|------------------|------------|-----------------|
| FPC 20/20/13 | 200 x 200 x 132 | 9535690000 | 9535680000 |
| FPC 20/30/13 | 200 x 300 x 132 | 9535710000 | 9535700000 |
| FPC 20/40/13 | 200 x 400 x 132 | 9535730000 | 9535720000 |
| FPC 30/30/13 | 300 x 300 x 132 | 9535750000 | 9535740000 |
| FPC 30/40/13 | 300 x 400 x 132 | 9535770000 | 9535760000 |
| FPC 40/60/13 | 400 x 600 x 132 | 9535810000 | 9535820000 |

Note

Technical data

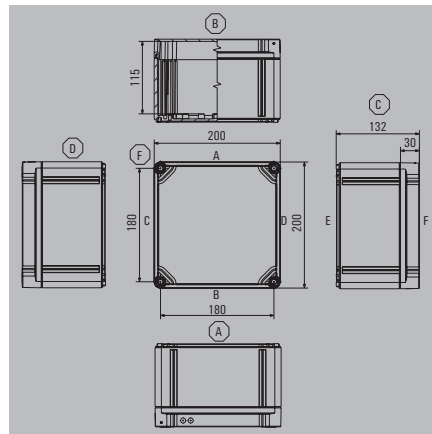
| | Grey lid | Transparent lid |
|-----------------------|--|--|
| Enclosure material | Base and lid made of glass-fibre reinforced polycarbonate | Base made of glass-fibre reinforced polycarbonate, ABS lid |
| Cover | Grey | Transparent |
| Surface finish | Grey, similar to RAL 7035 | Grey, similar to RAL 7035 |
| IP protection class | IP 66, IP 67 | IP 66, IP 67 |
| Installation mounting | Self-tapping screws | Self-tapping screws |
| Enclosure mounting | 4 holes (7.5 mm diameter) or external mounting brackets (optional) | 4 holes (7.5 mm diameter) or external mounting brackets (optional) |
| Lid fixing | 4 or 6 cross-head screws (polyamide) | 4 or 6 cross-head screws (polyamide) |
| Gasket material | Polyurethane foam | Polyurethane foam |
| Temperature range | -50 °C...+100 °C | -40 °C...+60 °C |
| Impact resistance | IK 08 | IK 06 |

Note For details of power dissipation, please contact your Weidmüller representative.



FPC 20/20/13

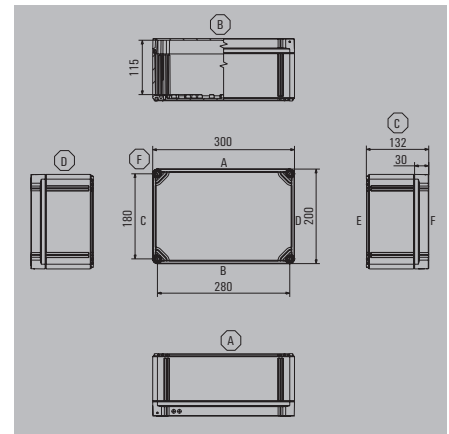
132 mm



200 / 200 / 132 mm

FPC 20/30/13

132 mm



200 / 300 / 132 mm

Height / Width / Depth

Technical data

Assembly with terminal

| |
|---------------------|
| 2.5 mm ² |
| 4 mm ² |
| 6 mm ² |
| 10 mm ² |
| 16 mm ² |
| 35 mm ² |

Guide value for max. number of cable entries

| |
|-----|
| M12 |
| M16 |
| M20 |
| M25 |
| M32 |
| M40 |
| M50 |
| M63 |
| M75 |

Note

| | vertical | horizontal |
|--|----------|------------|
| | 1x17 | 1x17 |
| | 1x14 | 1x14 |
| | 1x10 | 1x10 |
| | 1x8 | 1x8 |
| | 1x7 | 1x7 |
| | 1x5 | 1x5 |
| | A / B | C / D |
| | 20 | 20 |
| | 11 | 11 |
| | 6 | 6 |
| | 4 | 4 |
| | 2 | 2 |
| | 1 | 1 |
| | 1 | 1 |
| | 1 | 1 |

| | vertical | horizontal |
|--|----------|------------|
| | 2x20 | 1x40 |
| | 2x17 | 1x33 |
| | 2x13 | 2x13 |
| | 2x10 | 1x20 |
| | 2x8 | 1x17 |
| | 2x6 | 1x12 |
| | A / B | C / D |
| | 38 | 20 |
| | 21 | 11 |
| | 12 | 6 |
| | 8 | 4 |
| | 3 | 2 |
| | 3 | 1 |
| | 2 | 1 |
| | 2 | 1 |

Ordering data

- Enclosure with grey lid
- Enclosure with transparent lid

Note

| Type | Qty. | Order No. |
|-------------------|------|------------|
| FPC 20/20/13 7035 | 1 | 9535690000 |
| FPC 20/20/13 TRSP | 1 | 9535680000 |

| Type | Qty. | Order No. |
|-------------------|------|------------|
| FPC 20/30/13 7035 | 1 | 9535710000 |
| FPC 20/30/13 TRSP | 1 | 9535700000 |

Accessories

Mounting plates and fastening screws

- Steel sheet, zinc plated
- M4 screw

Mounting rails, TS15x5

Vertical

Mounting rails, TS35x7.5

- Horizontally
- Vertically

External mounting lug, set of 4

Hinge, set of 2

Earthing stud

- Brass, M6
- Stainless steel 1.4404, M6
- Brass, M10
- Stainless steel 1.4404, M10

Pressure compensation elements

- Polyamide 6, M12
- Stainless steel 1.4305, M12

| Type | Qty. | Order No. |
|------------------------|------|------------|
| MP FPC 20/20 | 1 | 9535920000 |
| FKSC M4X6 D8/SW2 | 100 | 1567480000 |
| TS15X5 ST FPC 20 VER | 20 | 8000037604 |
| TS35X7.5 ST FPC 20 HOR | 20 | 8000037557 |
| TS35X7.5 ST FPC 20 VER | 20 | 8000037558 |
| MF FPC | 1 | 9536040000 |
| HG FPC | 1 | 9535990000 |
| PEBZ M6 BR SET | 1 | 1277250000 |
| PEBZ M6 S4 SET | 1 | 1283430000 |
| PEBZ M10 BR SET | 1 | 1277220000 |
| PEBZ M10 S4 SET | 1 | 1283440000 |
| DAE M12 PA LONG | 10 | 1868570000 |
| DAE M12 SS | 10 | 1868550000 |

| Type | Qty. | Order No. |
|---------------------|------|------------|
| MP FPC 20/30 | 1 | 9535930000 |
| FKSC M4X6 D8/SW2 | 100 | 1567480000 |
| TS15X5 FPC 20 VER | 20 | 8000037604 |
| TS35X7.5 FPC 30 HOR | 20 | 8000037559 |
| TS35X7.5 FPC 20 VER | 20 | 8000037558 |
| MF FPC | 1 | 9536040000 |
| HG FPC | 1 | 9535990000 |
| PEBZ M6 BR SET | 1 | 1277250000 |
| PEBZ M6 S4 SET | 1 | 1283430000 |
| PEBZ M10 BR SET | 1 | 1277220000 |
| PEBZ M10 S4 SET | 1 | 1283440000 |
| DAE M12 PA LONG | 10 | 1868570000 |
| DAE M12 SS | 10 | 1868550000 |

Note



Height / Width / Depth

Technical data

Assembly with terminal

- 2.5 mm²
- 4 mm²
- 6 mm²
- 10 mm²
- 16 mm²
- 35 mm²

Guide value for max. number of cable entries

- M12
- M16
- M20
- M25
- M32
- M40
- M50
- M63
- M75

Note

Ordering data

- Enclosure with grey lid
- Enclosure with transparent lid

Note

Accessories

Mounting plates and fastening screws

- Steel sheet, zinc plated
- M4 screw

Mounting rails, TS15x5

Vertical

Mounting rails, TS35x7.5

- Horizontally
- Vertically

External mounting lug, set of 4

Hinge, set of 2

Earthing stud

- Brass, M6
- Stainless steel 1.4404, M6
- Brass, M10
- Stainless steel 1.4404, M10

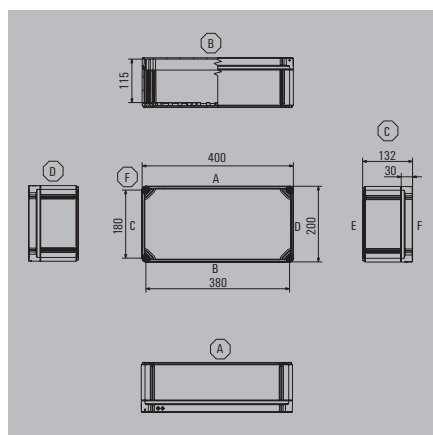
Pressure compensation elements

- Polyamide 6, M12
- Stainless steel 1.4305, M12

Note

FPC 20/40/13

132 mm



200 / 400 / 132 mm

| | vertical | horizontal |
|-----|----------|------------|
| | 3x20 | 1x59 |
| | 3x17 | 1x49 |
| | 3x13 | 3x13 |
| | 3x10 | 1x30 |
| | 3x8 | 1x25 |
| | 3x6 | 1x19 |
| | A / B | C / D |
| M12 | 56 | 20 |
| M16 | 30 | 11 |
| M20 | 18 | 6 |
| M25 | 12 | 4 |
| M32 | 5 | 2 |
| M40 | 4 | 1 |
| M50 | 4 | 1 |
| M63 | 3 | 1 |

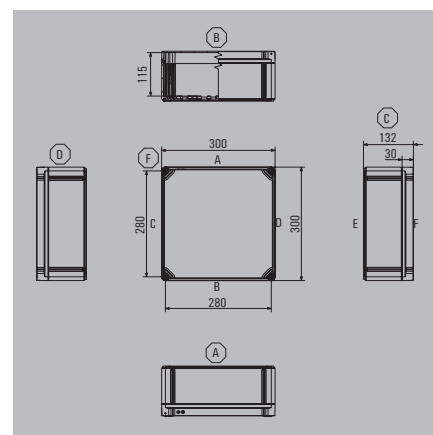
| Type | Qty. | Order No. |
|-------------------|------|------------|
| FPC 20/40/13 7035 | 1 | 9535730000 |
| FPC 20/40/13 TRSP | 1 | 9535720000 |

| Type | Qty. | Order No. |
|------------------------|------|------------|
| MP FPC 20/40 | 1 | 9535940000 |
| FKSC M4X6 D8/SW2 | 100 | 1567480000 |
| TS15X5 ST FPC 20 VER | 20 | 8000037604 |
| TS35X7.5 ST FPC 40 HOR | 20 | 8000037560 |
| TS35X7.5 ST FPC 20 VER | 20 | 8000037558 |
| MF FPC | 1 | 9536040000 |
| HG FPC | 1 | 9535990000 |
| PEBZ M6 BR SET | 1 | 1277250000 |
| PEBZ M6 S4 SET | 1 | 1283430000 |
| PEBZ M10 BR SET | 1 | 1277220000 |
| PEBZ M10 S4 SET | 1 | 1283440000 |
| DAE M12 PA LONG | 10 | 1868570000 |
| DAE M12 SS | 10 | 1868550000 |

Note

FPC 30/30/13

132 mm



300 / 300 / 132 mm

| | vertical | horizontal |
|-----|----------|------------|
| | 2x40 | 1x40 |
| | 2x33 | 1x33 |
| | 2x25 | 2x25 |
| | 2x20 | 1x20 |
| | 2x17 | 1x17 |
| | 2x12 | 1x12 |
| | A / B | C / D |
| M12 | 38 | 38 |
| M16 | 21 | 21 |
| M20 | 12 | 12 |
| M25 | 8 | 8 |
| M32 | 3 | 3 |
| M40 | 3 | 3 |
| M50 | 2 | 2 |
| M63 | 2 | 2 |

| Type | Qty. | Order No. |
|-------------------|------|------------|
| FPC 30/30/13 7035 | 1 | 9535750000 |
| FPC 30/30/13 TRSP | 1 | 9535740000 |

| Type | Qty. | Order No. |
|---------------------|------|------------|
| MP FPC 30/30 | 1 | 9535950000 |
| FKSC M4X6 D8/SW2 | 100 | 1567480000 |
| TS15X5 FPC 20 VER | 20 | 8000037604 |
| TS35X7.5 FPC 40 HOR | 20 | 8000037560 |
| TS35X7.5 FPC 20 VER | 20 | 8000037558 |
| MF FPC | 1 | 9536040000 |
| HG FPC | 1 | 9535990000 |
| PEBZ M6 BR SET | 1 | 1277250000 |
| PEBZ M6 S4 SET | 1 | 1283430000 |
| PEBZ M10 BR SET | 1 | 1277220000 |
| PEBZ M10 S4 SET | 1 | 1283440000 |
| DAE M12 PA LONG | 10 | 1868570000 |
| DAE M12 SS | 10 | 1868550000 |

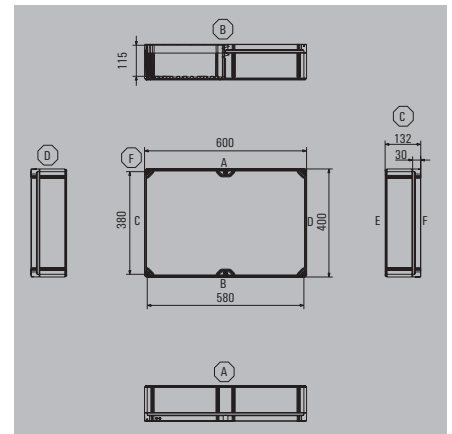
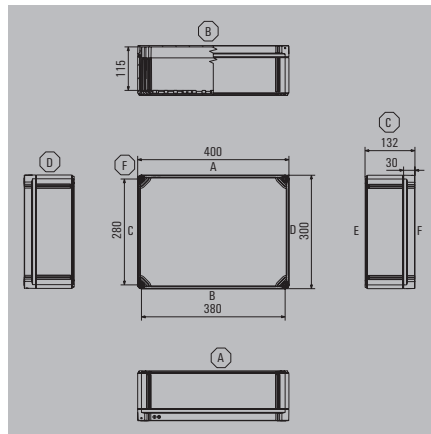
Note

FPC 30/40/13

132 mm

FPC 40/60/13

132 mm



Height / Width / Depth

300 / 400 / 132 mm

400 / 600 / 132 mm

Technical data

Assembly with terminal

- 2.5 mm²
- 4 mm²
- 6 mm²
- 10 mm²
- 16 mm²
- 35 mm²

Guide value for max. number of cable entries

- M12
- M16
- M20
- M25
- M32
- M40
- M50
- M63
- M75

Note

| | vertical | horizontal |
|-----|----------|------------|
| | 3x40 | 1x59 |
| | 3x33 | 1x49 |
| | 3x25 | 3x25 |
| | 3x20 | 1x30 |
| | 3x17 | 1x25 |
| | 3x12 | 1x19 |
| | A / B | C / D |
| M12 | 56 | 38 |
| M16 | 30 | 21 |
| M20 | 18 | 12 |
| M25 | 12 | 8 |
| M32 | 5 | 3 |
| M40 | 4 | 3 |
| M50 | 4 | 2 |
| M63 | 3 | 2 |

| | vertical | horizontal |
|-----|----------|------------|
| | 5x59 | 2x97 |
| | 5x49 | 2x81 |
| | 5x37 | 5x37 |
| | 5x30 | 2x49 |
| | 5x25 | 2x41 |
| | 5x19 | 2x31 |
| | A / B | C / D |
| M12 | 76 | 56 |
| M16 | 42 | 30 |
| M20 | 24 | 18 |
| M25 | 16 | 12 |
| M32 | 6 | 5 |
| M40 | 6 | 4 |
| M50 | 4 | 4 |
| M63 | 4 | 3 |

Ordering data

- Enclosure with grey lid
- Enclosure with transparent lid

Note

| Type | Qty. | Order No. |
|-------------------|------|------------|
| FPC 30/40/13 7035 | 1 | 9535770000 |
| FPC 30/40/13 TRSP | 1 | 9535760000 |

| Type | Qty. | Order No. |
|-------------------|------|------------|
| FPC 40/60/13 7035 | 1 | 9535810000 |
| FPC 40/60/13 TRSP | 1 | 9535820000 |

Accessories

Mounting plates and fastening screws

- Steel sheet, zinc plated
- M4 screw

Mounting rails, TS15x5

Vertical

Mounting rails, TS35x7.5

- Horizontally
- Vertical

External mounting lug, set of 4

Hinge, set of 2

Earthing stud

- Brass, M6
- Stainless steel 1.4404, M6
- Brass, M10
- Stainless steel 1.4404, M10

Pressure compensation elements

- Polyamide 6, M12
- Stainless steel 1.4305, M12

Note

| Type | Qty. | Order No. |
|------------------------|------|------------|
| MP FPC 30/40 | 1 | 9535960000 |
| FKSC M4X6 D8/SW2 | 100 | 1567480000 |
| TS35X7.5 ST FPC 40 HOR | 20 | 8000037560 |
| TS35X7.5 ST FPC 30 VER | 20 | 8000037561 |
| MF FPC | 1 | 9536040000 |
| HG FPC | 1 | 9535990000 |
| PEBZ M6 BR SET | 1 | 1277250000 |
| PEBZ M6 S4 SET | 1 | 1283430000 |
| PEBZ M10 BR SET | 1 | 1277220000 |
| PEBZ M10 S4 SET | 1 | 1283440000 |
| DAE M12 PA LONG | 10 | 1868570000 |
| DAE M12 SS | 10 | 1868550000 |

| Type | Qty. | Order No. |
|---------------------|------|------------|
| MP FPC 40/60 | 1 | 9535980000 |
| FKSC M4X6 D8/SW2 | 100 | 1567480000 |
| TS35X7.5 FPC 60 HOR | 20 | 8000037563 |
| TS35X7.5 FPC 40 VER | 20 | 8000037562 |
| MF FPC | 1 | 9536040000 |
| HG FPC | 1 | 9535990000 |
| PEBZ M6 BR SET | 1 | 1277250000 |
| PEBZ M6 S4 SET | 1 | 1283430000 |
| PEBZ M10 BR SET | 1 | 1277220000 |
| PEBZ M10 S4 SET | 1 | 1283440000 |
| DAE M12 PA LONG | 10 | 1868570000 |
| DAE M12 SS | 10 | 1868550000 |

Cable entries

| | | |
|----------------------|---|------|
| Cable entries | Introduction | D.2 |
| | Overview | D.4 |
| | Standard cable glands - Plastic | D.6 |
| | Standard cable glands - Brass | D.8 |
| | EMC cable glands | D.11 |
| | Standard cable glands - Stainless steel | D.13 |
| | Standard cable glands | D.15 |
| | Klippon® Cable Glands | D.16 |
| | Ex-cable glands - Brass | D.27 |
| | Ex-cable glands - Plastic | D.36 |
| | Accessories - Lock nuts | D.40 |
| | Accessories - Flat IP washer | D.45 |
| | Accessories - Earthing rings | D.49 |
| | Accessories - Shrouds | D.50 |
| | Accessories - Washers | D.52 |
| | Blanking plugs | D.53 |
| | Ex-Blanking plugs | D.55 |
| | Compensating elements | D.59 |
| | Ex-Compensating elements | D.61 |

Cable entries

Weidmüller offers a variety of add-on components for a multitude of purposes and applications in addition to its extensive Klippon® Protect range.

In addition to brass, plastic and stainless steel cable glands, there are also sealing plugs, pressure-equalising elements, adapters and relevant accessories – such as lock nuts, flat gaskets, flat washers and earthing rings – available.

To match the assembled enclosures, the cable glands meet the requirements of IP protection classes IP54 to IP69K and can be used as required in standard industrial applications, EMC applications or even explosive risk zones, plus they comply with the approvals required for this purpose.

The Ex-certified Klippon® cable glands also allow for the connection of cables and conductors with different reinforcements with and without lead sheathing, as well as the connection of steel wire and steel tape cables. They can withstand temperatures ranging from -60°C to +180°C.

Depending on the cable gland variants and application, the cable glands, sealing plugs, adaptors, pressure-equalising elements, and accessories are manufactured and certified according to the following standards:

- IEC/EN 62444 (Construction and design)
- IEC/EN 60529 (IP protection class testing)
- IEC/EN 60079-0 (General Ex requirements)
- IEC/EN 60079-1 (Ex d Ex standard)
- IEC/EN 60079-7 (Ex e Ex standard)
- IEC/EN 60079-11 (Ex i Ex standard)
- IEC/EN 60423 (Metric thread)
- DIN 40430 (PG and NPT threads)

The range of cable glands, sealing plugs and pressure-equalising elements is available in metric (M) and high-strength (PG) threads in sizes ranging from M12 to M75 and PG7 to PG48. When choosing cable glands and sealing plugs, please refer to the table with the sealing characteristics of the O-rings, flat gaskets and seal inserts. The O-Ring or flat gasket is always intended for sealing the connecting thread on an enclosure, for example, while the seal insert of each cable gland is intended for actually sealing and crushing the connecting cable.



You should always observe the maximum drill-hole diameter when installing a cable gland, sealing plug, adaptor, or pressure compensation element (e.g. onto the gland plate of an enclosure). These must not exceed the following specified maximum values / tolerances so that the protection degree of the whole enclosure can be guaranteed. Please also refer to the instruction manual; deviating information is possible.

Through-hole information

| M thread | Through-hole, in mm |
|-----------|---------------------|
| M 12 | 12.2 |
| M 16 | 16.2 |
| M 20 | 20.2 |
| M 25 | 25.2 |
| M 32 | 32.2 |
| M 40 | 40.2 |
| M 50 | 50.2 |
| M 63 | 63.2 |
| M 75 | 75.2 |
| PG thread | Through-hole, in mm |
| PG 7 | 12.4 |
| PG 9 | 15.1 |
| PG 11 | 18.5 |
| PG 13.5 | 20.4 |
| PG 16 | 22.5 |
| PG 21 | 28.3 |
| PG 29 | 37.4 |
| PG 36 | 47.2 |
| PG 42 | 54.2 |
| PG 48 | 59.5 |

Overview of sealing materials for O-rings, flat gaskets as well as seal inserts

| Abbreviation | Material | Trade name | Temperature range | Chemical resistance | Fire resistant | Shore | Free from halogens | UV resistance |
|--------------|---------------------------------|-------------------|-------------------|---|----------------|---------|--------------------|---------------|
| TPE | Thermo-plastic elastomer | Santoprene | -40 °C to +130 °C | Hydrocarbons, oils, acids | UL94, HB | 64 | Yes | very good |
| CR | Chloroprene rubber | Neoprene | -40 °C to +130 °C | Mineral oils, greases, fuels | very good | 40 - 90 | No | very good |
| NBR | Nitrile rubber | Perbunan, Nitrile | -40 °C to +130 °C | Hydrocarbons, oils, acids, aliphatic solvents, greases, fuels | weak | 40 - 90 | No | good |
| EPDM | Ethylene-propylene-diene rubber | Keltan | -50 °C to +130 °C | Weather-, grease-, mineral oil-, chlorine-, and ozone resistant, hydrocarbons | weak | 20 - 90 | | very good |
| FPM | Fluoro-rubber | Viton | -25 °C to +200 °C | ozone, oxygen, mineral oils, synthetic hydraulic fluids, fuels, aromatics, many organic solvents and chemicals | weak | 65 - 95 | | good |

Note: The data refer only to the sealing material, not to the entire component.

Abbreviations - technical data

| | |
|--------------|------------------------------------|
| A, L | Length in mm |
| L1 | Length of thread in mm |
| D | Diameter in mm |
| S | Thickness in mm |
| S1, S2 | Depth in mm |
| SW, SW1, SW2 | Distance across flats in mm |
| KB | Clamping range in mm |
| KB ZE | Clamping range strain relief in mm |
| Thread | External thread |
| SUHB | Shroud / Protective cap |
| DR | Tightening torque in Nm |
| HM | Cap nut / pressure screw |
| Qty. | Packing unit in pieces |










Product designation

| | |
|-------|---------------------------------------|
| VG | Cable gland |
| VP | Sealing plugs |
| KDSU | Klippon® Double Seal Universal |
| KDSW | Klippon® Double Seal for SWA |
| KDSX | Klippon® Double Seal for SWB/STA |
| KSG | Klippon® Standard Gland |
| KUB | Klippon® Universal Barrier |
| KSPA | Klippon® Stopping Plug Type A |
| KSPMH | Klippon® Stopping Plug Mushroom |
| KSWN | Klippon® Sealing Washer Nylon |
| KSWF | Klippon® Sealing Washer Red Fibre |
| KSP | Klippon® Shroud PVC/Silicone |
| SKMU | Hexagon nut |
| DAE | Pressure compensation element |
| BD | Breather drain (compensation element) |
| SZS | Serrated Star Washers |
| ZE | Strain relief |
| EMV | Electromagnetic compatibility |
| EA | Earthing ring |
| SKS | Spiral kink protection |
| GWDR | Threaded sealing ring or IP washer |




Glands and accessories

The tables below provide an overview of the Weidmüller cable glands and the recommended accessories.








Standard cable glands

| Material/Type | Approvals | | | | Thread sealing rings | | | Locknuts | | | | |
|---|--|-------------------------------------|----|-----|----------------------|----------------|-----------------|----------|---------------------|---------------------|--------------------|-----------------------|
| | IP class of protection without seal | IP class of protection with seal | Ex | EMC | Armouring | CSM GWDR PO | CR GWDR...NP | O-Ring | grey SKMU...K GR | black SKMU...KSW | brass SKMU...MS | MS EMC SKMU EMV... |
| Plastic | | | | | | | | | | | | |
|  VG ... K68 | IP68 / 5 bar | | | | | | | | • | | | |
|  VG ... K68 SKS | IP68 / 5 bar | | | | | | | | • | | | |
| Nickel-plated brass | | | | | | | | | | | | |
|  VG ... MS68 | IP54, IP66, IP68 / 5 bar, IP69k | | | | | | | included | | | • | |
|  VGM...MS68...BG | IP68 | | | | | | | included | | | • | |
|  VG ... MS54-ZE | IP54 | | | | | | | | | | • | |
|  VG ... EMV-4 | IP66, IP68 / 5 bar, IP69k | | | • | | | | included | | | | • |
|  VGM...EMC...SET | IP68 | | | • | | | | included | | | | • |
| Stainless steel | | | | | | | | | | | | |
|  VG...SS68 | IP54, IP66, IP68 / 5 bar, IP69k | | | | | | | included | | | • | |
|  VGM...SS68...BG | IP68 | | | | | | | included | | | • | |






Cable glands HQ

| Material/Type | Approvals | | | | Thread sealing rings | | | Locknuts | | | | |
|--|--|-------------------------------------|----|-----|----------------------|----------------|-----------------|----------|---------------------|---------------------|--------------------|-----------------------|
| | IP class of protection without seal | IP class of protection with seal | Ex | EMC | Armouring | CSM GWDR PO | CR GWDR...NP | O-Ring | grey SKMU...K GR | black SKMU...KSW | brass SKMU...MS | MS EMC SKMU EMV... |
| Nickel-plated brass, Ex | | | | | | | | | | | | |
|  VG ... K68 ... | IP65 | | | | | | | | | | | |
| Brass Ex | | | | | | | | | | | | |
|  VG ... MS68 ... | IP65 | | | | | | | | | | | |
|  VG ... EMV68 ... | IP65 | | | • | | | | | | | | |






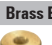
Cable glands Ex

| Material/Type | Approvals | | | | Thread sealing rings | | | Locknuts | | | | |
|---|---|-------------------------------------|--------|-----|----------------------|----------|-----------------|----------|---------------------|---------------------|--------------------|-----------------------|
| | IP class of protection without seal | IP class of protection with seal | Ex | EMC | Armouring | KSWN | CR GWDR...NP | O-Ring | grey SKMU...K GR | black SKMU...KSW | brass SKMU...MS | MS EMC SKMU EMV... |
| Nickel-plated brass, Ex | | | | | | | | | | | | |
|  KDSU...BN/BS O NII | IP66, IP68 / 2.5 bar | | Ex e/d | | • | | | included | | | • | |
|  KUB...BS O NI * | IP66, IP68 / 10 bar | | Ex e/d | | • | | | included | | | • | |
|  KDSW...BN/BS O/L NI | IP54 | IP54, IP66, IP68 / 2.5 bar | Ex e/d | | • | optional | | | | | • | |
|  KDSX...BS O NI | IP54 | IP54, IP66, IP68 / 2.5 bar | Ex e/d | | • | optional | | | | | • | |
|  KSG...BN/BS O NI | IP66, IP68 / 2.5 bar | | Ex e/d | | | | | included | | | • | |
| Plastic Ex | | | | | | | | | | | | |
|  VG...EXI...7J | IP54, IP66, IP68 / 5 bar | | Ex e | | | | | included | | • | | |
|  VG...EXE...7J | IP54, IP66, IP68 / 5 bar | | Ex i | | | | | included | | • | | |
| Note: | * Available on request. Ex - Stainless steel glands on request | | | | | | | | | | | |

Adaptor

| Material/Type | Approvals | | Thread sealing rings | | | Locknuts | | | |
|---|----------------------------------|----|----------------------|--------------|----------|------------------|-------------------|-----------------|--------------------|
| | IP class of protection with seal | Ex | GWDR PO | CR GWDR...NP | O-Ring | grey SKMU...K GR | black SKMU...K SW | brass SKMU...MS | MS EMC SKMU EMV... |
| Plastic | | | | | | | | | |
|  DAE M12 PA | IP66, IP68, IP69K | | | | included | | | | |
|  DAE M12 PA long | IP66, IP68, IP69K | | | | included | | • | | |
| Stainless steel | | | | | | | | | |
|  DAE M12 SS | IP66, IP68, IP69K | | | | included | | | • | • |
| Brass Ex | | | | | | | | | |
|  KLIPPON BDx ... B | IP66 | | | | included | | | | |
| Stainless steel Ex | | | | | | | | | |
|  KLIPPON BDx ... S | IP66 | | | | included | | | | |

Stopping plugs

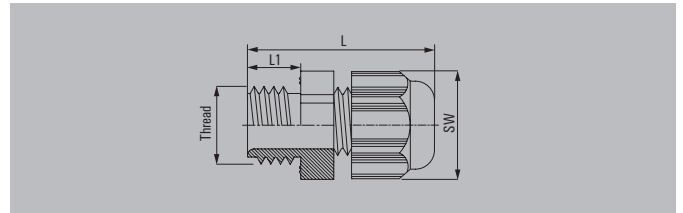
| Material/Type | Approvals | | Thread sealing rings | | | Locknuts | | | |
|---|-------------------------------------|----------------------------------|----------------------|---------|--------------|----------|------------------|-------------------|-----------------|
| | IP class of protection without seal | IP class of protection with seal | Ex | GWDR PO | CR GWDR...NR | O-Ring | grey SKMU...K GR | black SKMU...K SW | brass SKMU...MS |
| Plastic | | | | | | | | | |
|  VP ... K54 | IP54 | IP65 | | | | | • | | |
| Nickel-plated brass | | | | | | | | | |
|  VP ... MS65 | | IP68 | | | included | | | • | |
| Stainless steel | | | | | | | | | |
|  KSPMH...SSC | | IP66, IP68 | Ex e/d | | | included | | • | |
| Plastic Ex | | | | | | | | | |
|  VP...Ex SW | IP54, IP66 | IP66, IP68 | Ex e | | optional | | • | | |
| Nickel-plated brass, Ex | | | | | | | | | |
|  VP...Ex MS | | IP54, IP64, IP68 | Ex e/d | | | included | | • | |
| Brass Ex | | | | | | | | | |
|  KSPMH...BSC | | IP66, IP68 | Ex e/d | | | included | | • | |

Standard cable glands – Plastic

Cable glands – Plastic – IP68



Cable gland made of plastic with integrated strain relief for industrial applications where IP67 or IP68 protection is required. Tested and approved according to EN 62444 and UL514B.



Technical data

| | |
|---------------------|--|
| Material / Colour | Polyamide 6 / Light Grey / RAL 7035 |
| Seal insert | CR |
| Temperature range | -40 °C...100 °C |
| Protection class | IP67, IP68 - 5 bar (30 min.) |
| Flammability rating | V-2 |
| Note | Version with moulded sealing lip. Length L varies depending on the cable diameter used. |

Ordering data

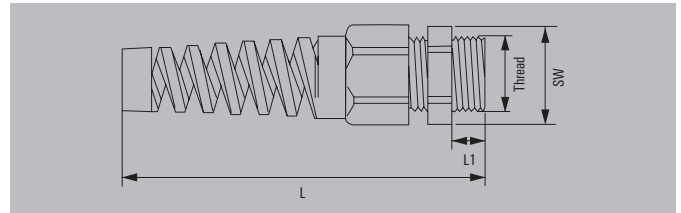
| Type | Thread | KB | L/L1 | SW | Qty. | Order No. |
|---------------|---------|-------|-----------|----|------|------------|
| metric | | | | | | |
| VG M12-1/K68 | M 12 | 3-6.5 | 30.5 / 8 | 15 | 100 | 1772280000 |
| VG M16-1/K68 | M 16 | 4-8 | 34.5 / 8 | 19 | 50 | 1909860000 |
| VG M16 - K 68 | M 16 | 5-10 | 40 / 10 | 22 | 50 | 1772290000 |
| VG M20-1/K68 | M 20 | 6-12 | 39.5 / 10 | 24 | 50 | 1772300000 |
| VG M25-1/K68 | M 25 | 11-17 | 43 / 8 | 29 | 50 | 1909870000 |
| VG M25 - K 68 | M 25 | 13-18 | 47 / 10 | 33 | 25 | 1772310000 |
| VG M32-1/K68 | M 32 | 15-21 | 52 / 10 | 36 | 20 | 1909880000 |
| VG M32 - K 68 | M 32 | 18-25 | 56 / 15 | 42 | 20 | 1772320000 |
| VG M40-1/K68 | M 40 | 19-28 | 57 / 10 | 46 | 10 | 1909890000 |
| VG M40 - K 68 | M 40 | 22-32 | 69.5 / 18 | 53 | 10 | 1772330000 |
| VG M50 - K 68 | M 50 | 30-38 | 71 / 18 | 60 | 10 | 1772340000 |
| VG M63-1/K68 | M 63 | 34-44 | 71 / 18 | 65 | 10 | 1772350000 |
| PG | | | | | | |
| VG 7-K68 | PG 7 | 3-6.5 | 30 / 8 | 15 | 100 | 1568970000 |
| VG 9-K68 | PG 9 | 4-8 | 34.5 / 8 | 19 | 50 | 1568980000 |
| VG 11-K68 | PG 11 | 5-10 | 37 / 8 | 22 | 50 | 1568990000 |
| VG 13.5-K68 | PG 13.5 | 6-12 | 39 / 10 | 24 | 50 | 1569000000 |
| VG 16-K68 | PG 16 | 10-14 | 41 / 10 | 27 | 50 | 1569010000 |
| VG 21-K68 | PG 21 | 13-18 | 48 / 11 | 33 | 25 | 1569020000 |
| VG 29-K68 | PG 29 | 18-25 | 52 / 11 | 42 | 20 | 1569030000 |
| VG 36-K68 | PG 36 | 22-32 | 64.5 / 13 | 53 | 10 | 1569040000 |
| VG 42-K68 | PG 42 | 30-38 | 66.5 / 13 | 60 | 10 | 1569050000 |
| VG 48-K68 | PG 48 | 34-44 | 67.5 / 14 | 65 | 10 | 1718770000 |

Note Long-thread version on request, halogen-free without sealing ring.
Installation specifications and tightening torques can be found in the installation instructions.
For further information please use our online catalogue: catalog.weidmueller.com.

Cable glands – Plastic – SKS



Cable gland made of plastic with spiral bending protection and integrated strain relief, specially suited for moving connections. It prevents cables from bending at acute angles.



Technical data

| | |
|---------------------|---|
| Material / Colour | Polyamide 6 / Light Grey / RAL 7035 |
| Seal insert | CR |
| Temperature range | -20 °C...100 °C |
| Protection class | IP68 - 5 bar (30 min.) |
| Flammability rating | V-2 |
| Note | Version with moulded sealing lip Length L varies depending on the cable diameter used. |

Ordering data

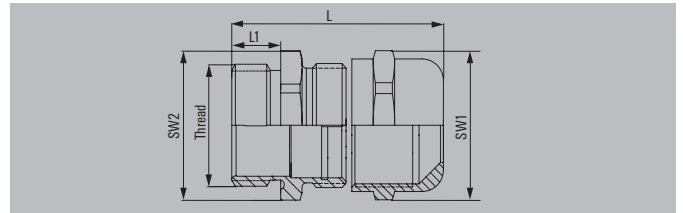
| Type | Thread | KB | L/L1 | SW | Qty. | Order No. |
|----------------------|--|-------|------------|----|------|------------|
| metric | | | | | | |
| VG M12-K68 SKS | M 12 | 3-6.5 | 63.5 / 8 | 15 | 100 | 1776700000 |
| VG M16-K68 SKS | M 16 | 5-10 | 94.5 / 15 | 22 | 50 | 1776710000 |
| VG M20-K68 SKS 6-12 | M 20 | 6-12 | 101.5 / 11 | 24 | 50 | 1778860000 |
| VG M20-K68 SKS 10-14 | M 20 | 10-14 | 116 / 15 | 27 | 25 | 1776720000 |
| VG M25-K68 SKS | M 25 | 13-18 | 132.5 / 15 | 33 | 25 | 1776730000 |
| PG | | | | | | |
| VG 7-K68 SKS | PG 7 | 3-6.5 | 63 / 8 | 15 | 50 | 1720470000 |
| VG 9-K68 SKS | PG 9 | 4-8 | 74 / 8 | 19 | 50 | 1720480000 |
| VG 11-K68 SKS | PG 11 | 5-10 | 87 / 8 | 22 | 100 | 1720490000 |
| VG 13.5-K68 SKS | PG 13.5 | 6-12 | 98 / 9 | 24 | 50 | 1720500000 |
| VG 16-K68 SKS | PG 16 | 10-14 | 112 / 10 | 27 | 25 | 1720510000 |
| VG 21-K68 SKS | PG 21 | 13-18 | 130 / 11 | 33 | 20 | 1720520000 |
| Note | Long-thread version on request, halogen-free without sealing ring. Installation specifications and tightening torques can be found in the installation instructions. For further information please use our online catalogue: catalog.weidmueller.com . | | | | | |

Standard cable glands – Brass

Cable glands – Brass – IP68



Cable gland made of brass for industrial applications where IP68 or IP69K protection is required.



Technical data

| | |
|-----------------------------|---|
| Material | Brass, nickel-plated |
| O-ring / Seal insert | NBR / CR |
| Temperature range | -40 °C...100 °C |
| Clamp insert | Polyamide |
| Protection degree with GWDR | IP54, IP66, IP67, IP68 - 5 bar (30 min.), IP69K |
| Note | Length "L" varies depending on the cable diameter used; IP69K protection applies to all metric cable glands; the following thread sizes are excluded from IP69K: PG29, PG36, PG42 and PG48. |

Ordering data

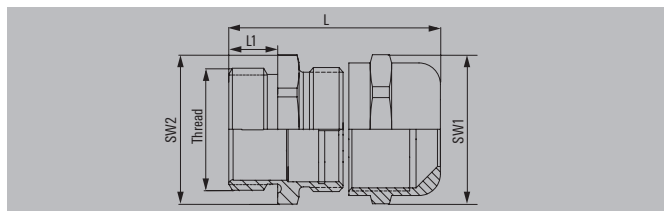
| Type | Thread | KB | L/L1 | SW1/SW2 | Qty. | Order No. |
|-------------------|---------|-------|------------|---------|------|------------|
| metric | | | | | | |
| VG M12 - MS 68 | M 12 | 3-6.5 | 28 / 6 | 14 / 14 | 50 | 1772200000 |
| VG M16 - MS 68 | M 16 | 4-8 | 30 / 7 | 17 / 18 | 50 | 1772210000 |
| VG M16-1/MS68 | M 16 | 5-10 | 35.5 / 7 | 20 / 20 | 50 | 1909910000 |
| VG M20 - MS 68 | M 20 | 6-12 | 34.5 / 8 | 22 / 22 | 50 | 1772220000 |
| VG M25 - MS 68 | M 25 | 10-14 | 35.7 / 8 | 24 / 27 | 25 | 1772230000 |
| VG M25-1/MS68 | M 25 | 11-17 | 40.5 / 8 | 27 / 27 | 25 | 1909920000 |
| VG M32 - MS 68 | M 32 | 13-18 | 42 / 9 | 30 / 34 | 10 | 1772240000 |
| VG M32-1/MS68 | M 32 | 15-21 | 44 / 8 | 34 / 34 | 10 | 1909930000 |
| VG M40 - MS 68 | M 40 | 18-25 | 47 / 9 | 40 / 43 | 10 | 1772250000 |
| VG M40-1/MS68 | M 40 | 19-28 | 52.5 / 9 | 43 / 43 | 10 | 1909940000 |
| VG M50 - MS 68 | M 50 | 22-32 | 57 / 9 | 50 / 55 | 5 | 1772260000 |
| VG M50-1/MS68 | M 50 | 27-38 | 61 / 9 | 58 / 58 | 5 | 1909950000 |
| VG M63 - MS 68 | M 63 | 34-44 | 67 / 14 | 64 / 68 | 5 | 1772270000 |
| PG (IP69K) | | | | | | |
| VG 7-MS68 | PG 7 | 3-6.5 | 28 / 6 | 14 / 14 | 50 | 1569060000 |
| VG 9-MS68 | PG 9 | 4-8 | 29.5 / 6 | 17 / 17 | 50 | 1569070000 |
| VG 11-MS68 | PG 11 | 5-10 | 32 / 6 | 20 / 20 | 50 | 1569080000 |
| VG 13.5-MS68 | PG 13.5 | 6-12 | 31 / 6.5 | 22 / 22 | 50 | 1569090000 |
| VG 16-MS68 | PG 16 | 10-14 | 34.5 / 6.5 | 24 / 24 | 25 | 1569100000 |
| VG 21-MS68 | PG 21 | 13-18 | 39.7 / 7.2 | 30 / 30 | 25 | 1569110000 |
| PG (IP68) | | | | | | |
| VG 29-MS68 | PG 29 | 18-25 | 46.5 / 8 | 40 / 40 | 10 | 1569120000 |
| VG 36-MS68 | PG 36 | 22-32 | 57 / 9 | 50 / 50 | 5 | 1569130000 |
| VG 42-MS68 | PG 42 | 30-38 | 60.5 / 12 | 58 / 58 | 5 | 1569140000 |
| VG 48-MS68 | PG 48 | 34-44 | 69 / 14 | 64 / 64 | 5 | 1718790000 |

Note Long-thread version on request
VDE for metric version
Installation specifications and tightening torques can be found in the installation instructions.
For further information please use our online catalogue: catalog.weidmueller.com.

Cable glands - Brass - IP68



Cable gland made of brass with spherical sealing insert which squeezes the cable gently over a large area. This cable gland is suitable for railway applications; its sealing material conforms to the requirements of EN 45545.



Technical data

| | |
|----------------------|----------------------|
| Material | Brass, nickel-plated |
| O-Ring / Seal insert | NBR / T80s |
| Temperature range | -40 °C ... 130 °C |
| Protection class | IP68 - 15 bar |
| Note | |

Ordering data

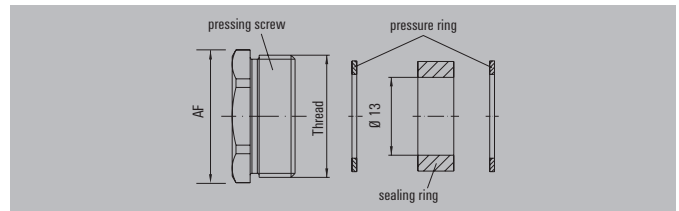
| Type | Thread | KB | L/L1 | SW | Qty. | Order No. |
|---|--------|-------|------------|----|------|------------|
| VGM25-MS68 11-20 BG | M 25 | 11-20 | 36.5 / 7.5 | 30 | 50 | 1193600000 |
| VGM32-MS68 15-25 BG | M 32 | 15-25 | 40 / 8 | 36 | 25 | 1193610000 |
| VGM40-MS68 20-32 BG | M 40 | 20-32 | 43 / 8 | 45 | 10 | 1193620000 |
| VGM40/1-MS68 20-32 BG | M 40 | 20-32 | 82 / 8 | 45 | 10 | 1205890000 |
| Note | | | | | | |
| When using mounting covers with 3 X M 40 cable input threads, the elongated version must be used for the cable gland in the middle. Installation specifications and tightening torques can be found in the installation instructions. For further information please use our online catalogue: catalog.weidmueller.com | | | | | | |

Standard cable glands – Brass

Clamping screws – Brass – IP65



The special cable glands (clamping screws) are designed for use in HDC RockStar® base enclosures. The seal insert used contains several removable or separable inlets.



Technical data

| | |
|-------------------------|----------------------|
| Clamping screw material | Brass, nickel-plated |
| Sealing ring material | SBR/NBR |
| Pressure ring material | Polyamide |
| Temperature range | -20 °C...60 °C |
| Protection class | IP65 |
| Note | |

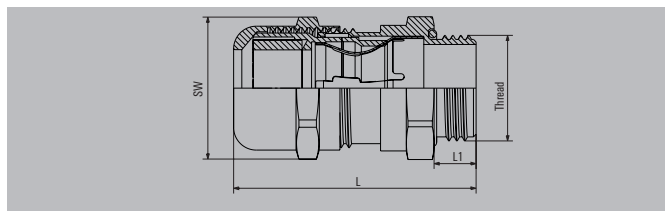
Ordering data

| Type | Thread | Inserts in mm | SW | Qty. | Order No. |
|---------------|--------|------------------------|----|------|------------|
| metric | | | | | |
| VG H M20 MS | M 20 | 4 / 7 / 10 / 13 | 20 | 50 | 1921720000 |
| VG H M25 MS | M 25 | 8.5 / 11.5 / 14.5 / 18 | 25 | 25 | 1921740000 |
| VG H M32 MS | M 32 | 16 / 19 / 22 / 25 | 32 | 20 | 1921760000 |
| VG H M40 MS | M 40 | 23 / 26 / 29 / 32 | 40 | 10 | 1921770000 |
| PG | | | | | |
| KV 11-M | PG 11 | 7.5 / 10 / 12.5 | 10 | 10 | 1656390000 |
| KV 13-M | PG 13 | 7.5 / 10 / 12.5 | 10 | 10 | 1656400000 |
| KV 16-M | PG 16 | 7.5 / 10 / 12.5 / 15 | 10 | 10 | 1656410000 |
| KV 21-M | PG 21 | 10 / 13 / 16 / 19 | 10 | 10 | 1656420000 |
| KV 29-M | PG 29 | 18 / 21 / 24 / 27 | 10 | 10 | 1656430000 |
| Note | | | | | |

Cable glands – Brass – EMC-4



Cable gland made of brass with EMC contact system for the particularly time-saving installation of shielded cables. It is characterised by the following features: very low installation effort, vibration-resistant and patented active contact system.



Technical data

| | |
|----------------------|-------------------------------------|
| Material | Brass, nickel-plated |
| O-Ring / Seal insert | NBR / CR |
| Temperature range | -40 °C...100 °C |
| Protection class | IP66, IP68 - 5 bar (30 min.), IP69K |
| Clamp insert | Polyamide |
| Note | |

Ordering data

| Type | Thread | KB | Shield Ø | L/L1 | SW | Qty. | Order No. |
|-----------------------|--------|--------|-------------|----------|----|------|------------|
| VG M12 EMV-4 MS 3-6.5 | M 12 | 3-6.5 | 2.00-5.00 | 34 / 6 | 14 | 50 | 2435070000 |
| VG M16 EMV-4 MS 5-10 | M 16 | 5-10 | 3.50-8.00 | 39 / 6 | 20 | 50 | 2435140000 |
| VG M20 EMV-4 MS 6-12 | M 20 | 6-12 | 4.50-10.00 | 38 / 6 | 22 | 50 | 2435150000 |
| VG M20 EMV-4 MS 8-14 | M 20 | 7.5-14 | 5.50-11.50 | 48 / 8 | 24 | 50 | 2435160000 |
| VG M25 EMV-4 MS 10-18 | M 25 | 10-18 | 7.00-14.00 | 51 / 8 | 30 | 25 | 2435170000 |
| VG M32 EMV-4 MS 16-25 | M 32 | 16-25 | 12.00-20.00 | 62 / 9 | 40 | 10 | 2435180000 |
| VG M40 EMV-4 MS 22-32 | M 40 | 22-32 | 18.00-27.00 | 69.5 / 9 | 50 | 5 | 2435190000 |
| VG M50 EMV-4 MS 30-38 | M 50 | 30-38 | 26.00-34.00 | 62 / 9 | 58 | 5 | 2435200000 |
| VG M63 EMV-4 MS 34-44 | M 63 | 34-44 | 30.00-40.00 | 73 / 14 | 68 | 5 | 2435210000 |

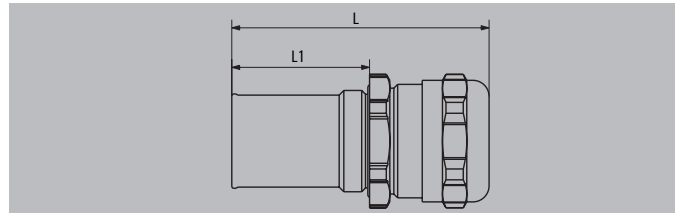
Note Installation specifications and tightening torques can be found in the installation instructions.
For further information please use our online catalogue: catalog.weidmueller.com.

EMC cable glands

Cable glands – Brass – EMC SET



Cable gland made of brass for internal shield connection or potential equalisation; easy-to-use, permanent, secure shield connection. This cable gland is suitable for railway applications; its sealing material meets the requirements of EN 45545.



Technical data

| | |
|----------------------|----------------------|
| Material | Brass, nickel-plated |
| O-Ring / Seal insert | NBR / T80s |
| Temperature range | -40 °C ... 130 °C |
| Protection class | IP68 - 15 bar |
| Note | |

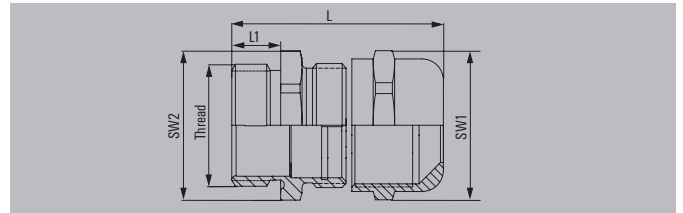
Ordering data

| Type | Thread | KB | L/L1 | SW | Qty. | Order No. |
|-------------------------|---|-------|-----------|----|------|-------------------|
| VGM25-MS68 EMC 11-20SET | M 25 | 11-20 | 63.5 / 34 | 30 | 1 | 1463720000 |
| VGM32-MS68 EMC 15-25SET | M 32 | 15-25 | 66.5 / 34 | 36 | 1 | 1463730000 |
| Note | Installation specifications and tightening torques can be found in the installation instructions. For further information please use our online catalogue: catalog.weidmueller.com . | | | | | |

Cable glands – Stainless steel – IP68



Cable gland made of stainless steel for standard industrial applications that require a high degree of protection (IP68 or IP69K). These cable glands – with their resistance to impact and sea water – are also suitable for use in applications under extreme environmental conditions.



Technical data

| | |
|----------------------|---|
| Material | Stainless steel 1.4305 (303) |
| O-Ring / Seal insert | NBR / CR |
| Temperature range | -40 °C...100 °C |
| Protection class | IP54, IP66, IP67, IP68 - 5 bar (30 min.), IP69K |
| Note | |

Ordering data

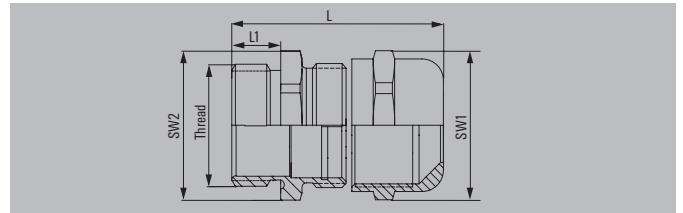
| Type | Thread | KB | L/L1 | SW1/SW2 | Qty. | Order No. |
|----------------------|---|-------|------------|---------|------|------------|
| metric | | | | | | |
| VGM12-SS 68 KB 3-6.5 | M 12 | 3-6.5 | 28 / 6 | 14 / 14 | 50 | 1009840000 |
| VGM16-SS 68 KB 4-8 | M 16 | 4-8 | 30 / 7 | 17 / 19 | 50 | 1009850000 |
| VGM20-SS 68 KB 6-12 | M 20 | 6-12 | 32 / 8 | 22 / 22 | 50 | 1009860000 |
| VGM25-SS 68 KB 10-14 | M 25 | 10-14 | 35.5 / 8 | 24 / 27 | 25 | 1009870000 |
| VGM32-SS 68 KB 13-18 | M 32 | 13-18 | 41.5 / 9 | 30 / 36 | 20 | 1009880000 |
| VGM40-SS 68 KB 18-25 | M 40 | 18-25 | 49.6 / 9 | 41 / 46 | 20 | 1009890000 |
| VGM50-SS 68 KB 22-32 | M 50 | 22-32 | 55 / 9 | 50 / 55 | 5 | 1009900000 |
| VGM63-SS 68 KB 34-44 | M 63 | 34-44 | 67 / 14 | 65 / 70 | 5 | 1009910000 |
| PG | | | | | | |
| VG 7-SS 68 KB 3-6.5 | PG 7 | 3-6.5 | 28 / 6 | 14 / 14 | 50 | 1009740000 |
| VG 9-SS 68 KB 4-8 | PG 9 | 4-8 | 29 / 6 | 17 / 17 | 50 | 1009750000 |
| VG 11-SS 68 KB 5-10 | PG 11 | 5-10 | 31.5 / 6 | 22 / 22 | 50 | 1009760000 |
| VG 16-SS 68 KB 10-14 | PG 16 | 10-14 | 34 / 6.5 | 24 / 24 | 25 | 1009780000 |
| VG 21-SS 68 KB 13-18 | PG 21 | 13-18 | 39.7 / 7.2 | 30 / 30 | 25 | 1009790000 |
| VG 29-SS 68 KB 18-25 | PG 29 | 18-25 | 46.5 / 8 | 41 / 41 | 20 | 1009800000 |
| VG 36-SS 68 KB 22-32 | PG 36 | 22-32 | 55 / 9 | 50 / 50 | 15 | 1009810000 |
| Note | 1.4404 (316L) on request. Installation specifications and tightening torques can be found in the installation instructions. For further information please use our online catalogue: catalog.weidmueller.com . | | | | | |

Standard cable glands – Stainless steel

Cable gland – Stainless steel – IP68



Cable gland with spherical seal insert that squeezes the cable gently over a large area. This cable gland is suitable for railway applications; its sealing material meets the requirements of EN 45545.



D

Technical data

| | |
|----------------------|------------------------------|
| Material | Stainless steel 1.4305 (303) |
| O-Ring / Seal insert | Silicone / T80s |
| Temperature range | -40 °C ... 130 °C |
| Protection class | IP68 - 15 bar |

Note

Ordering data

| Type | Thread | KB | L/L1 | SW | Qty. | Order No. |
|-----------------------|--------|-------|------------|----|------|------------|
| VGM25-SS68 11-20 BG | M 25 | 11-20 | 36.5 / 7.5 | 30 | 50 | 1193570000 |
| VGM32-SS68 15-25 BG | M 32 | 15-25 | 40 / 8 | 36 | 25 | 1193580000 |
| VGM40-SS68 20-32 BG | M 40 | 20-32 | 43 / 8 | 45 | 10 | 1193590000 |
| VGM40/1-SS68 20-32 BG | M 40 | 20-32 | 82 / 8 | 45 | 10 | 1205920000 |

Note

When using mounting covers with 3 X M 40 cable input threads, the elongated version must be used for the cable gland in the middle.
Installation specifications and tightening torques can be found in the installation instructions.
For further information please use our online catalogue: catalog.weidmueller.com

HQ cable glands



Cable gland especially for heavy-duty connectors of the HQ series, available in plastic, brass and as brass EMC version.

Technical data

| | |
|-------------------|-------------------|
| Material | Polyamide 6 |
| Seal insert | TPE |
| Temperature range | -40 °C ... 130 °C |
| Protection class | IP68 |
| Note | |

Ordering data

| Type | Thread | KB | SW | Qty. | Order No. |
|--|--------|-----------|----|------|------------|
| Plastic | | | | | |
| VG 16 HQ K68 4-6.5 | PG 16 | 4-6.5 | 27 | 1 | 2715990000 |
| VG 16 HQ K68 6.5-9.5 | PG 16 | 6.5-9.5 | 27 | 1 | 1273890000 |
| VG 16 HQ K68 9-13 | PG 16 | 9-13 | 27 | 1 | 1016070000 |
| VG 16 HQ K68 11.5-15.5 | PG 16 | 11.5-15.5 | 27 | 1 | 1016080000 |
| brass | | | | | |
| VG 21 HQ MS68 9-13 | PG 21 | 9-13 | 30 | 1 | 1016090000 |
| VG 21 HQ MS68 11.5-15.5 | PG 21 | 11.5-15.5 | 30 | 1 | 1016100000 |
| VG 21 HQ MS68 14-18 | PG 21 | 14-18 | 30 | 1 | 1016110000 |
| EMC | | | | | |
| VG 21 HQ EMV68 11-15.5 | PG 21 | 11-15.5 | 30 | 1 | 1016120000 |
| VG 21 HQ EMV68 14-18 | PG 21 | 14-18 | 30 | 1 | 1016130000 |
| only for angled HQ base enclosure (order number 1003110000) | | | | | |
| VG16 HQ K68 9-12SH | PG 16 | 9-12 | 30 | 1 | 1045530000 |
| VG16 HQ K68 11.5-15.5SH | PG 16 | 11.5-15.5 | 30 | 1 | 1045540000 |
| Note | | | | | |
| Installation specifications and tightening torques can be found in the installation instructions. For further information please use our online catalogue: catalog.weidmueller.com . | | | | | |

Overview: Klippon® cable glands and selection tool

ATEX / IECEx certified cable glands

| Cable Gland Type | Outer Elastomeric Seal | Inner Elastomeric Seal | Lead Option | Armour Clamp | Certification | IP Rating | Page No. |
|------------------|---------------------------|---------------------------|----------------|-----------------|---------------|------------|------------|
| KDSU | YES | YES | NO | Universal | Ex d / Ex e | IP66, IP68 | D.27 |
| KDSW | YES | YES | YES | Steel wire | Ex d / Ex e | IP66, IP68 | D.29 |
| KDSX | YES | YES | NO | Braided | Ex d / Ex e | IP66, IP68 | D.32 |
| KUB | YES | Compound | NO | Universal | Ex d | IP66, IP68 | On request |
| KSG | YES | NO | NO | No | Ex d / Ex e | IP66, IP68 | D.33 |

D

General

Health & Safety

When Weidmüller cable glands and the accessories are used and installed as prescribed within the data sheet provided, they will not cause any danger or hazard to the health or safety of persons, animals or property. The products should be installed by suitably trained/skilled personnel and in full accordance with the relevant legislative regulations and the accepted code of practice for the industry concerned.

Warning

Weidmüller cable glands and accessories should not be used within any application other than those specified for each product, unless Weidmüller issue a statement in writing that the product is suitable for the specified application. For further information on each product, we refer you to the specific Assembly Instructions and General Arrangement drawings, which are available on request. Weidmüller takes no responsibility for any damage, injury or other consequential loss caused where the glands are not installed or used according to our Assembly Instructions.

Installation in hazardous area applications

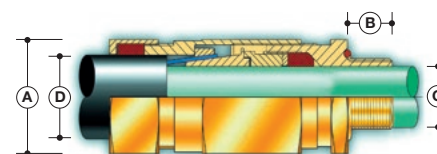
If cable glands and accessories are installed in hazardous area applications, international and national standards of the Explosion Protection have to be considered.

The KDSU type glands provide a universal armour clamp for steel wire, steel tape, screened or braided cables. An electrical bond between the cable armour and the gland is ensured. The gland can also be used to terminate un-armoured cables. In addition, the gland is fitted with two separate seals to seal the outer and inner cable insulation.

When choosing the gland with a neoprene sealing a temperature range from -35 °C to +90 °C will be achieved. Whereas the gland with silicone sealing ensures a temperature range from -60 °C to +180 °C. With both sealing materials an IP rating of IP68 to 25 metres (30 min. at 2.5 bar) is maintained. The KDSU is approved for explosion protection type of pressure-resistant encapsulation Ex d and increased safety Ex e.

Structure of the part description

| | | | | | | | | |
|-----------------------------|---|-----|-----|-----|-----|-----|-----|-------|
| Order key | [Type] | [a] | [b] | [c] | [d] | [e] | [f] | [ggg] |
| Example article description | KDSU | M20 | B | S | 0 | SC | 1 | G16 |
| Meaning | [Type] = Gland type (KDSU) [a] = Entry thread (M20-M75) [b] = Material (B = brass) [c] = Seal material (S = Silicone, N = Neoprene) [d] = Continuity for lead sheath (L = yes, 0 = no) [e] = Plating (SC = self-coloured, NI = Nickel) [f] = Cable outer sheath (1 = Reduced, 2 = Standard) [ggg] = Gland size (G16-G75) | | | | | | | |
| Note | Refer to page D.22 Selection Guide Klippon® Cable Glands to determine the suitable order number | | | | | | | |



D

Dimensions

| Gland Size [ggg] | Entry thread [a] | Entry thread Length [B] | Max Outer Diameter [A] | Max Length | Gland Seal Range | | | | | | Armour Acceptance Range | Shroud Size |
|---------------------|---------------------|----------------------------|---------------------------|------------|------------------------|------|------------------------|------|-----------------|------|-------------------------|-------------|
| | | | | | Cable Inner Sheath [C] | | Cable Outer Sheath [D] | | | | | |
| | | | | | Min | Max | Standard [f] = 2 | | Reduced [f] = 1 | | | |
| G16 | M20 | 16 | 28.0 | 78.0 | 3.4 | 8.4 | 9.0 | 13.5 | 6.7 | 10.3 | 0.15 - 1.25 | L24 |
| G20S | M20 | 16 | 28.0 | 78.0 | 7.2 | 11.7 | 11.5 | 16.0 | 9.4 | 12.5 | 0.15 - 1.25 | L24 |
| G20 | M20 | 16 | 33.0 | 78.0 | 9.4 | 14.0 | 15.5 | 21.1 | 12.0 | 17.6 | 0.15 - 1.25 | EL30 |
| G25 | M25 | 16 | 41.4 | 90.0 | 13.5 | 20.0 | 20.3 | 27.4 | 16.8 | 23.9 | 0.15 - 1.60 | EL38 |
| G32 | M32 | 16 | 50.6 | 105.0 | 19.5 | 26.3 | 26.7 | 34.0 | 23.2 | 30.5 | 0.15 - 2.00 | EL46 |
| G40 | M40 | 16 | 60.5 | 113.0 | 23.0 | 32.2 | 33.0 | 40.6 | 28.6 | 36.2 | 0.20 - 2.00 | EL55 |
| G50S | M50 | 16 | 71.5 | 125.0 | 28.1 | 38.2 | 39.4 | 46.7 | 34.8 | 42.4 | 0.30 - 2.50 | EL65 |
| G50 | M50 | 16 | 71.5 | 125.0 | 33.1 | 44.1 | 45.7 | 53.2 | 41.1 | 48.5 | 0.30 - 2.50 | EL65 |
| G63S | M63 | 19 | 88.0 | 125.0 | 39.2 | 50.1 | 52.1 | 59.5 | 47.5 | 54.8 | 0.30 - 2.50 | EL80 |
| G63 | M63 | 19 | 88.0 | 125.0 | 46.7 | 56.0 | 58.4 | 65.8 | 53.8 | 61.2 | 0.30 - 2.50 | EL80 |
| G75S | M75 | 19 | 99.0 | 131.0 | 52.1 | 62.0 | 64.8 | 72.2 | 60.2 | 68.0 | 0.30 - 2.50 | EL90 |
| G75 | M75 | 19 | 99.0 | 131.0 | 58.0 | 68.0 | 71.1 | 78.0 | 66.5 | 73.4 | 0.30 - 2.50 | EL90 |

Dimensions in mm

Important Notes

- The gland size does not necessarily equate to the entry thread size.
- In some cases several gland sizes can be chosen due to overlapping inner as well as outer cable diameters. Due to the wide range of armoured cables available, it is necessary to select the correct clamping range. This is achieved by taking the inner and outer clamping range values to determine the best fit (as close as possible to the Min/Max values average).
- All cable glands have a 1.5 mm pitch.
- For Flameproof Ex d applications the female thread into which the gland is to be fitted must achieve an engagement of at least 5 full threads in compliance with clause 5.3 of EN/IEC 60079-1.
- Where KDSU glands are fitted into non-metallic Increased Safety Ex e enclosures they must be included within the earth circuit of the system.
- Fully assembly instructions are supplied with the glands. The instructions must be read prior to installation and adhered to in full.
- When the gland is used to terminate un-armoured cables, the gland is suitable only for fixed installation.

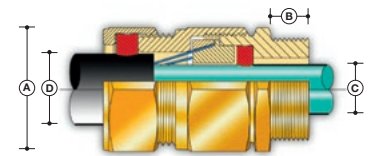
Klippon® KDSW Cable Glands

The KDSW glands provide an armour clamp for steel wire, steel tape and lead sheathed cables. An electrical bond between the cable armour and the gland is ensured. In addition, the gland is fitted with two separate sealings to seal the outer and inner cable insulation.

When choosing the gland with a neoprene sealing a temperature range from -35 °C to +90 °C will be achieved, whereas the gland with silicone sealing ensures a temperature range from -60 °C to +180 °C. With both sealing materials an IP rating of IP66 and IP68 to 25 metres (30 min at 2.5 bar) is maintained. The KDSW gland is approved for Flameproof Ex d and Increased Safety Ex e applications.

Structure of the part description

| Order key | [Type] | [a] | [b] | [c] | [d] | [e] | [f] | [ggg] |
|-----------------------------|---|------------------------------|----------------------------|--|--|---|--|------------------------------|
| Example article description | KDSW | M20 | B | S | L | SC | 1 | G16 |
| Meaning | [Type] = Gland type (KDSW) | [a] = Entry thread (M20-M75) | [b] = Material (B = brass) | [c] = Seal material (S = Silicone, N = Neoprene) | [d] = Continuity for lead sheath (L = yes, D = no) | [e] = Plating (SC = self-coloured, NI = Nickel) | [f] = Cable outer sheath (1 = Reduced, 2 = Standard) | [ggg] = Gland size (G16-G75) |
| Note | Refer to page D.22 Selection Guide Klippon® Cable Glands to determine the suitable order number | | | | | | | |



Dimensions

| Gland Size [ggg] | Entry thread [a] | Entry thread Length [B] | Max Outer Diameter [A] | Max Length | Gland Seal Range | | | | | | Armour Acceptance Range | Shroud Size |
|---------------------|---------------------|----------------------------|---------------------------|------------|------------------------|------|------------------------|------|-----------------|------|-------------------------|-------------|
| | | | | | Cable Inner Sheath [C] | | Cable Outer Sheath [D] | | | | | |
| | | | | | Min | Max | Standard [f] = 2 | | Reduced [f] = 1 | | | |
| G16 | M20 | 16 | 26.5 | 58.0 | 4.0 | 8.4 | 8.4 | 13.5 | 4.9 | 10.0 | 0.90 | L24 |
| G20S | M20 | 16 | 26.5 | 58.0 | 8.0 | 11.7 | 11.5 | 16.0 | 9.4 | 12.5 | 0.90 - 1.25 | L24 |
| G20 | M20 | 16 | 33.0 | 58.0 | 6.7* | 14.0 | 15.5 | 21.1 | 12.0 | 17.6 | 0.90 - 1.25 | L30 |
| G25 | M25 | 16 | 41.4 | 58.0 | 13.0 | 20.0 | 20.3 | 27.4 | 16.8 | 23.9 | 1.25 - 1.60 | L38 |
| G32 | M32 | 16 | 50.6 | 65.0 | 19.0 | 26.3 | 26.7 | 34.0 | 23.2 | 30.5 | 1.60 - 2.00 | L46 |
| G40 | M40 | 16 | 60.5 | 72.0 | 25.0 | 32.2 | 33.0 | 40.6 | 28.6 | 36.2 | 1.60 - 2.00 | L55 |
| G50S | M50 | 16 | 71.5 | 73.0 | 31.5 | 38.2 | 39.4 | 46.7 | 34.8 | 42.4 | 2.00 - 2.50 | L65 |
| G50 | M50 | 16 | 71.5 | 73.0 | 36.5 | 44.1 | 45.7 | 53.2 | 41.1 | 48.5 | 2.00 - 2.50 | L65 |
| G63S | M63 | 19 | 88.0 | 76.0 | 42.5 | 50.1 | 52.1 | 59.5 | 47.5 | 54.8 | 2.50 | L80 |
| G63 | M63 | 19 | 88.0 | 76.0 | 49.5 | 56.0 | 58.4 | 65.8 | 53.8 | 61.2 | 2.50 | L80 |
| G75S | M75 | 19 | 99.0 | 82.0 | 54.5 | 62.0 | 64.8 | 72.2 | 60.2 | 68.0 | 2.50 | L90 |
| G75 | M75 | 19 | 99.0 | 82.0 | 60.5 | 68.0 | 71.1 | 78.0 | 66.5 | 73.4 | 2.5 | L90 |
| Dimensions in mm | | | | | | | | | | | | |

Important Notes

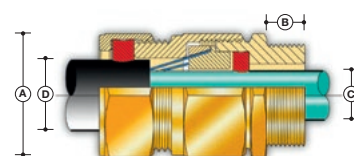
- The gland size does not necessarily equate to the entry thread size.
- In some cases several gland sizes can be chosen due to overlapping inner as well as outer cable diameters. Due to the wide range of armoured cables available, it is necessary to select the correct clamping range. This is achieved by taking the inner and outer clamping range values to determine the best fit (as close as possible to the Min/Max values average).
- All cable glands have a 1.5 mm pitch.
- For Flameproof Ex d applications the female thread into which the gland is to be fitted must achieve an engagement of at least 5 full threads in compliance with clause 5.3 of EN/IEC 60079-1.
- Where KDSW glands are fitted into non-metallic Increased Safety Ex e enclosures they must be included within the earth circuit of the system.
- Fully assembly instructions are supplied with the glands. The instructions must be read prior to installation and adhered to in full.
- When the gland is used to terminate un-armoured cables, the gland is suitable only for fixed installation.
- * KDSW gland size G20 with silicone seal, the silicone inner seal only seals to a minimum of 9,3 mm and NOT 6.7 mm.

The KDSX glands provide an armour clamp for braided cables. An electrical bond between the cable armour and the gland is ensured. In addition, the gland is fitted with two separate sealings to seal the outer and inner cable insulation.

The gland maintains a temperature range from -60 °C to +180 °C. With both sealing materials an IP rating of IP66 and IP68 to 25 metres (30 min at 2.5 bar) is maintained. The KDSX gland is approved for Flameproof Ex d and Increased Safety Ex e applications.

Structure of the part description

| | | | | | | | | |
|-----------------------------|---|-----|-----|-----|-----|-----|-----|-------|
| Order key | [Type] | [a] | [b] | [c] | [d] | [e] | [f] | [ggg] |
| Example article description | KDSX | M20 | B | S | 0 | SC | 1 | G16 |
| Meaning | [Type] = Gland type (KDSX) [a] = Entry thread (M20-M75) [b] = Material (B = brass) [c] = Seal material (S = Silicone) [d] = Continuity for lead sheath (L = yes, 0 = no) [e] = Plating (SC = self-coloured, NI = Nickel) [f] = Cable outer sheath (1 = Reduced, 2 = Standard) [ggg] = Gland size (G16-G75) | | | | | | | |
| Note | Refer to page D.22 Selection Guide Klippon® Cable Glands to determine the suitable order number | | | | | | | |



D

Dimensions

| Gland Size [ggg] | Entry thread [a] | Entry thread Length [B] | Max Outer Diameter [A] | Max Length | Gland Seal Range | | | | | | Armour Acceptance Range | Shroud Size |
|---------------------|---------------------|----------------------------|---------------------------|------------|------------------------|------|------------------------|------|-----------------|------|-------------------------|-------------|
| | | | | | Cable Inner Sheath [C] | | Cable Outer Sheath [D] | | | | | |
| | | | | | Min | Max | Standard [f] = 2 | | Reduced [f] = 1 | | | |
| | | | | Min | Max | Min | Max | Min | Max | | | |
| G16 | M20 | 16 | 26.5 | 58.0 | 4.0 | 8.4 | 8.4 | 13.5 | 4.9 | 10.0 | 0.15 - 0.35 | L24 |
| G20S | M20 | 16 | 26.5 | 58.0 | 8.0 | 11.7 | 11.5 | 16.0 | 9.4 | 12.5 | 0.15 - 0.35 | L24 |
| G20 | M20 | 16 | 33.0 | 58.0 | 6.7* | 14.0 | 15.5 | 21.1 | 12.0 | 17.6 | 0.15 - 0.50 | L30 |
| G25 | M25 | 16 | 41.4 | 58.0 | 13.0 | 20.0 | 20.3 | 27.4 | 16.8 | 23.9 | 0.15 - 0.50 | L38 |
| G32 | M32 | 16 | 50.6 | 65.0 | 19.0 | 26.3 | 26.7 | 34.0 | 23.2 | 30.5 | 0.15 - 0.55 | L46 |
| G40 | M40 | 16 | 60.5 | 72.0 | 25.0 | 32.2 | 33.0 | 40.6 | 28.6 | 36.2 | 0.20 - 0.60 | L55 |
| G50S | M50 | 16 | 71.5 | 73.0 | 31.5 | 38.2 | 39.4 | 46.7 | 34.8 | 42.4 | 0.20 - 0.60 | L65 |
| G50 | M50 | 16 | 71.5 | 73.0 | 36.5 | 44.1 | 45.7 | 53.2 | 41.1 | 48.5 | 0.30 - 0.80 | L65 |
| G63S | M63 | 19 | 88.0 | 76.0 | 42.5 | 50.1 | 52.1 | 59.5 | 47.5 | 54.8 | 0.30 - 0.80 | L80 |
| G63 | M63 | 19 | 88.0 | 76.0 | 49.5 | 56.0 | 58.4 | 65.8 | 53.8 | 61.2 | 0.30 - 0.80 | L80 |
| G75S | M75 | 19 | 99.0 | 82.0 | 54.5 | 62.0 | 64.8 | 72.2 | 60.2 | 68.0 | 0.30 - 1.00 | L90 |
| G75 | M75 | 19 | 99.0 | 82.0 | 60.5 | 68.0 | 71.1 | 78.0 | 66.5 | 73.4 | 0.30 - 1.00 | L90 |

Dimensions in mm

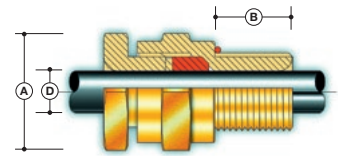
Important Notes

- The gland size does not necessarily equate to the entry thread size.
- In some cases several gland sizes can be chosen due to overlapping inner as well as outer cable diameters. Due to the wide range of armoured cables available, it is necessary to select the correct clamping range. This is achieved by taking the inner and outer clamping range values to determine the best fit (as close as possible to the Min/Max values average).
- All cable glands have a 1.5 mm pitch.
- For Flameproof Ex d applications the female thread into which the gland is to be fitted must achieve an engagement of at least 5 full threads in compliance with clause 5.3 of EN/IEC 60079-1.
- Where KDSX glands are fitted into non-metallic Increased Safety Ex e enclosures they must be included within the earth circuit of the system.
- Fully assembly instructions are supplied with the glands. The instructions must be read prior to installation and adhered to in full.
- When the gland is used to terminate un-armoured cables, the gland is suitable only for fixed installation.
- * KDSX gland size G20 with silicone seal, the silicone inner seal only seals to a minimum of 9,3 mm and NOT 6.7 mm.

The KSG gland is designed to terminate un-armoured cables. When choosing the gland with a neoprene sealing a temperature range from -35 °C to +90 °C will be achieved, whereas the gland with silicone sealing ensures a temperature range from -60 °C to +180 °C. With both sealing materials an IP rating of IP66 and IP68 to 25 metres (30 min. at 2.5 bar) is maintained. The KSG type gland is approved for Flameproof Ex d and Increased Safety Ex e applications.

Structure of the part description

| | | | | | | | | |
|-----------------------------|---|-----|-----|-----|-----|-----|-----|-------|
| Order key | [Type] | [a] | [b] | [c] | [d] | [e] | [f] | [ggg] |
| Example article description | KSG | M20 | B | S | 0 | SC | 2 | G16 |
| Meaning | [Type] = Gland type (KSG) [a] = Entry thread (M20-M90) [b] = Material (B = brass) [c] = Seal material (S = Silicone, N = Neoprene) [d] = Continuity for lead sheath (L = yes, 0 = no) [e] = Plating (SC = self-coloured, NI = Nickel) [f] = Cable outer sheath (2 = Standard) [ggg] = Gland size (G16-G90) | | | | | | | |
| Note | Refer to page D.22 Selection Guide Klippon® Cable Glands to determine the suitable order number | | | | | | | |



Dimensions

| Gland Size [ggg] | Entry thread [a] | Entry thread Length [B] | Max Outer Diameter [A] | Max Length | Gland Seal Range | | Shroud Size |
|---------------------|---------------------|----------------------------|---------------------------|------------|------------------------|------|-------------|
| | | | | | Cable Outer Sheath [D] | | |
| | | | | | Standard [f] = 2 | | |
| | | | | | Min | Max | |
| G16 | M20 | 16 | 28.0 | 33.0 | 4.0 | 8.4 | L24 |
| G20S | M20 | 16 | 28.0 | 33.0 | 7.2 | 11.7 | L24 |
| G20 | M20 | 16 | 33.0 | 33.0 | 9.6 | 14.0 | L30 |
| G25 | M25 | 16 | 41.4 | 33.0 | 13.5 | 20.0 | L38 |
| G32 | M32 | 16 | 50.6 | 33.0 | 19.5 | 26.3 | L46 |
| G40 | M40 | 16 | 60.5 | 37.0 | 23.0 | 32.2 | L55 |
| G50S | M50 | 16 | 71.5 | 37.0 | 28.2 | 38.2 | L65 |
| G50 | M50 | 16 | 71.5 | 37.0 | 33.2 | 44.1 | L65 |
| G63S | M63 | 19 | 88.0 | 37.0 | 39.3 | 50.1 | L80 |
| G63 | M63 | 19 | 88.0 | 37.0 | 46.7 | 56.0 | L80 |
| G75S | M75 | 19 | 99.0 | 37.0 | 52.3 | 62.0 | L90 |
| G75 | M75 | 19 | 99.0 | 37.0 | 58.1 | 69.0 | L90 |

Dimensions in mm

Important Notes

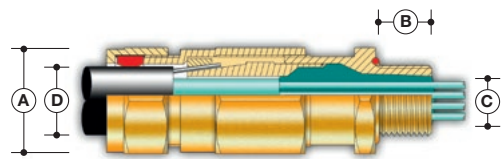
- The gland size does not necessarily equate to the entry thread size.
- In some cases several gland sizes can be chosen due to overlapping inner as well as outer cable diameters. Due to the wide range of armoured cables available, it is necessary to select the correct clamping range. This is achieved by taking the inner and outer clamping range values to determine the best fit (as close as possible to the Min/Max values average).
- All cable glands have a 1.5 mm pitch.
- For Flameproof Ex d applications the female thread into which the gland is to be fitted must achieve an engagement of at least 5 full threads in compliance with clause 5.3 of EN/IEC 60079-1.
- Where KSG glands are fitted into non-metallic Increased Safety Ex e enclosures they must be included within the earth circuit of the system.
- Fully assembly instructions are supplied with the glands. The instructions must be read prior to installation and adhered to in full.
- When the gland is used to terminate un-armoured cables, the gland is suitable only for fixed installation.

The KUB gland provide an armour clamp for steel tape, steel wire and braided cables. An electrical bond between the cable armour and the gland is ensured. The gland can also be used to terminate unarmoured cables. Additionally, the gland provides a single pull resistant seal on the outer sheath of any cable. After clamping the cable armour onto the cone, the cable has to be filled with the provided compound to seal the free spaces between the single conductors.

The gland maintains a temperature range from -60 °C to +135 °C. When filled, the gland fulfills an IP rating of IP68 to 100 metres (30 Min. at 10 bar). The KUB gland is only suitable for pressure-resistant Ex d encapsulation, and is available on request.

Structure of the part description

| | | | | | | | | |
|-----------------------------|--|-----|-----|-----|-----|-----|-----|-------|
| Order key | [Type] | [a] | [b] | [c] | [d] | [e] | [f] | [ggg] |
| Example article description | KUB | M20 | B | S | 0 | SC | 1 | G16 |
| Meaning | [Type] = Gland type (KUB) [a] = Entry thread (M20-M75) [b] = Material (B = brass) [c] = Seal material (S = Silicone) [d] = Continuity for lead sheath (L = yes, 0 = no) [e] = Plating (SC = self-coloured, NI = Nickel) [f] = Cable outer sheath (1 = Reduced, 2 = Standard) [ggg] = Gland size (G16-G75) | | | | | | | |
| Note | Refer to page D.22 Selection Guide Klippon® Cable Glands to determine the suitable order number | | | | | | | |



D

Dimensions

| Gland Size [ggg] | Entry thread [a] | Entry thread Length [B] | Max Outer Diameter [A] | Max Length | Gland Seal Range | | | | | | | | Armour Acceptance Range | Shroud Size |
|---------------------|---------------------|----------------------------|---------------------------|------------|------------------------|------|------|------------------------|------|-----------------|------|-------------|-------------------------|-------------|
| | | | | | Cable Inner Sheath [C] | | | Cable Outer Sheath [D] | | | | | | |
| | | | | | X | Y | Z | Standard [f] = 2 | | Reduced [f] = 1 | | | | |
| G16 | M20 | 16 | 28.0 | 72.0 | 7 | 9.0 | 11.7 | 9.0 | 13.5 | 6.7 | 10.3 | 0.15 - 1.25 | L24 | |
| G20S | M20 | 16 | 28.0 | 72.0 | 8 | 10.4 | 11.7 | 11.5 | 16.0 | 9.4 | 12.5 | 0.15 - 1.25 | L24 | |
| G20 | M20 | 16 | 33.0 | 73.0 | 14 | 12.5 | 14.0 | 15.5 | 21.1 | 12.0 | 17.6 | 0.15 - 1.25 | EL30 | |
| G25 | M25 | 16 | 41.4 | 83.0 | 25 | 17.8 | 20.0 | 20.3 | 27.4 | 16.8 | 23.9 | 0.15 - 1.60 | EL38 | |
| G32 | M32 | 16 | 50.6 | 103.0 | 50 | 23.5 | 26.3 | 26.7 | 34.0 | 23.2 | 30.5 | 0.15 - 2.00 | EL46 | |
| G40 | M40 | 16 | 60.5 | 105.0 | 80 | 28.8 | 32.2 | 33.0 | 40.6 | 28.6 | 36.2 | 0.20 - 2.00 | EL55 | |
| G50S | M50 | 16 | 71.5 | 115.0 | 100 | 34.2 | 38.2 | 39.4 | 46.7 | 34.8 | 42.4 | 0.30 - 2.50 | EL65 | |
| G50 | M50 | 16 | 71.5 | 115.0 | 100 | 39.4 | 44.1 | 45.7 | 53.2 | 41.1 | 48.5 | 0.30 - 2.50 | EL65 | |
| G63S | M63 | 19 | 88.0 | 115.0 | 120 | 44.8 | 50.1 | 52.1 | 59.5 | 47.5 | 54.8 | 0.30 - 2.50 | EL80 | |
| G63 | M63 | 19 | 88.0 | 115.0 | 120 | 50.0 | 56.0 | 58.4 | 65.8 | 53.8 | 61.2 | 0.30 - 2.50 | EL80 | |
| G75S | M75 | 19 | 99.0 | 122.0 | 140 | 55.4 | 62.0 | 64.8 | 72.2 | 60.2 | 68.0 | 0.30 - 2.50 | EL90 | |
| G75 | M75 | 19 | 99.0 | 122.0 | 140 | 60.8 | 68.0 | 71.1 | 78.0 | 66.5 | 73.4 | 0.30 - 2.50 | EL90 | |

Dimensions in mm

Important Notes

- The gland size does not necessarily equate to the entry thread size.
- In some cases several gland sizes can be chosen due to overlapping inner as well as outer cable diameters. Due to the wide range of armoured cables available, it is necessary to select the correct clamping range. This is achieved by taking the inner and outer clamping range values to determine the best fit (as close as possible to the Min/Max values average).
- X = Maximum numbers of cores
- Y = Maximum over cores
- Z = Maximum inner sheath
- All cable glands have a 1.5 mm pitch.
- For Flameproof Ex d applications the female thread into which the gland is to be fitted must achieve an engagement of at least 5 full threads in compliance with clause 5.3 of EN/IEC 60079-1.
- Where KUB glands are fitted into non-metallic Increased Safety Ex e enclosures they must be included within the earth circuit of the system
- Fully assembly instructions are supplied with the glands. The instructions must be read prior to installation and adhered to in full.
- When the gland is used to terminate un-armoured cables, the gland is suitable only for fixed installation.

Selection Guide Klippon® Cable Glands

Purpose: Generation of the article description

By selecting the suitable cable gland different factors have to be considered, such as

- The environment of the application
- The conditions inside the enclosure
- The construction of the cable

By using the Selection Guide Klippon® Cable Glands the article description will be generated following the step by step process to create the 7 character order key. From this the order number can be identified.

D

The order key consists out of the following attributes:

| Order key | [Type] | [a] | [b] | [c] | [d] | [e] | [f] | [ggg] |
|-----------------------------|--|------------------------------|----------------------------|--|--|--|--|------------------------------|
| Example Article Description | KDSU | M20 | B | S | 0 | SC | 1 | G16 |
| Meaning | [Type] = Gland type (KDSU, KDSW, KDSX, KSG, KUB) | [a] = Entry thread (M20-M75) | [b] = Material (B = brass) | [c] = Seal material (S=Silicone, N=Neoprene) | [d] = Continuity for lead sheath (L = yes, 0 = no) | [e] = Plating (SC = self-coloured, NI = nickel-plated) | [f] = Cable outer sheath (1 = Reduced, 2 = Standard) | [ggg] = Gland size (G16-G75) |

Application example

Within an Ex d application on an Off-Shore platform a suitable cable gland for the termination into an enclosure is required.

Following details about the application are given:

- The enclosure will be used for the control of a motor circuit breaker
- The enclosure has a volume of 1.3 dm³ and is installed outdoor.
- The application is in the field, a place in which an explosive atmosphere is likely to occur in normal operation, occasionally (Zone 1)
- The surrounding atmosphere of the enclosure consists Ethylene (gas group IIB)
- The enclosure operates in a temperature range of -40 °C bis +45 °C
- The armour of the cable is unknown, no lead sheathed cable
- The cable outer sheath diameter is 10 mm
- The cable inner sheath diameter is 8 mm

Based on the information in the above shown example case the article description will be determined on the following pages.

1. Selection of the cable gland type [type] and continuity for lead sheath [d]

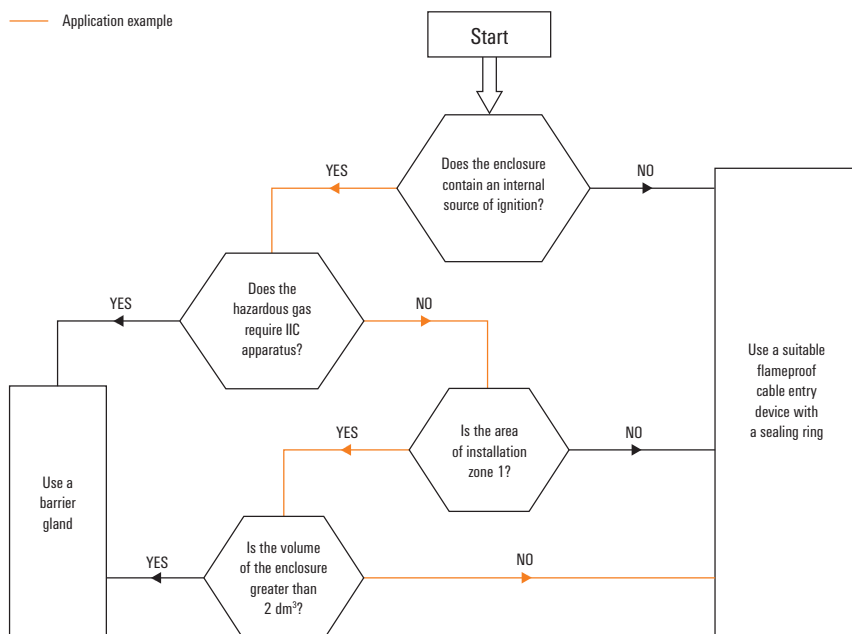
| | | | | | | | | |
|-----------------------------|--------|-----|-----|-----|-----|-----|-----|-------|
| Order key | [Type] | [a] | [b] | [c] | [d] | [e] | [f] | [ggg] |
| Example Article Description | | | | | | | | |

1a) Selection of the cable gland type in regard to the ignition protection type

| [Type] | Ignition Protection Type |
|--------|--------------------------|
| KDSU | Ex d / Ex e |
| KDSW | Ex d / Ex e |
| KDSX | Ex d / Ex e |
| KSG | Ex d / Ex e |
| KUB | Ex d |

Because it is an Ex d application all cable gland types (marked in blue) can come into consideration.

For Ex d applications the following questionnaire according to the IEC 60079-14 standard has to be passed to find out if a barrier gland ([Type]=KUB) or if a cable gland with a sealing ring ([Type]=KDSU,KDSW,KDSX) has to be used.



By passing this questionnaire with the given information of the example case the orange marked way has to be followed and the result is that a cable gland with sealing ring has to be used. Consequently the blue marked cable gland types below can come into consideration.

| Gland type | Type of sealing |
|------------|-----------------|
| KDSU | Sealing ring |
| KDSW | Sealing ring |
| KDSX | Sealing ring |
| KSG | Sealing ring |
| KUB | Compound |

1b) Selection of the cable gland type in regard to the continuity for lead sheath

| [Type] | [d] | Continuity for lead sheath |
|--------|-------|----------------------------|
| KDSU | 0 | No |
| KDSW | L / 0 | Yes |
| KDSX | 0 | No |
| KSG | 0 | No |
| KUB | 0 | No |

In the example case a cable without lead sheath is to be terminated, therefore the option to clamp a lead sheathed cable is not needed. Consequently is

[d] = 0

All four gland types marked in blue can be used.

1c) Selection of the cable gland type in regard to the type of armour

| [Type] | Armour |
|--------|------------------------|
| KDSU | Universal |
| KDSW | Steel wire, steel tape |
| KDSX | Braided |
| KSG | No armour |
| KUB | Universal |

Because the type of armour of the cable is unknown, the cable gland type KDSU has to be selected.

Consequently is

[Type] = KDSU

The generated information has to be filled into the order key below:

| Order key | [Type] | [a] | [b] | [c] | [d] | [e] | [f] | [ggg] |
|-----------------------------|--------|-----|-----|-----|-----|-----|-----|-------|
| Example Article Description | KDSU | | | | 0 | | | |

2. Selection of the material [b], the sealing material [c] and the plating [e] of the cable gland

| | | | | | | | | |
|-----------------------------|--------|-----|-----|-----|-----|-----|-----|-------|
| Order key | [Type] | [a] | [b] | [c] | [d] | [e] | [f] | [ggg] |
| Example Article Description | KDSU | | | | 0 | | | |

2a) Selection of the material [b]

All cable gland types are made from brass "b". Other materials can also be provided upon request. Consequently is

[b] = B

2b) Selection of the sealing material [c] based on the required temperature range

The cable glands can be ordered with either a neoprene seal "N" or a silicone seal "S". Glands with a neoprene seal can be used in a temperature range from -35 °C to +90 °C, whereas glands with silicone seal maintain a temperature range from -60 °C to +180 °C. (KUB glands are certified to a temperature of -60 °C to +135 °C).

| [Type] | [c] | Seal material |
|--------|-----|--|
| KDSU | N,S | Neoprene, Silicone |
| KDSW | N,S | Neoprene (with continuity for lead sheath), Silicone |
| KDSX | S | Silicone |
| KSG | N,S | Neoprene, Silicone |
| KUB | N | Silicone (-60 °C to +135 °C) |

Because the enclosure in the example case operates in a temperature range of -40 °C bis +45 °C, a cable gland with a silicone seal has to be used. Consequently is

[c] = „S“ (Silicone)

2c) Selection of the plating [e]

All cable glands can be provided either with nickel plated surface "NI" or with self-coloured surface "SC".

In the example case the enclosure is used outdoor, therefore it can come into contact with water in form of rain, so that a cable gland with nickel plated surface as protection against corrosion and wear has to be selected. Consequently is [e] = „NI“

The generated information has to be filled into the order key below:

| | | | | | | | | |
|-----------------------------|--------|-----|-----|-----|-----|-----|-----|-------|
| Order key | [Type] | [a] | [b] | [c] | [d] | [e] | [f] | [ggg] |
| Example Article Description | KDSU | | B | S | 0 | NI | | |

3. Selection of the entry thread [a], the cable outer sheath variant [f] and the gland size [ggg]

| | | | | | | | | |
|-----------------------------|--------|-----|-----|-----|-----|-----|-----|-------|
| Order key | [Type] | [a] | [b] | [c] | [d] | [e] | [f] | [ggg] |
| Example Article Description | KDSU | | B | S | 0 | NI | | |

The suitable gland size [ggg] will be selected based on the inner and outer sheath diameters of the cable. Thereby the entry thread size [a] and the cable outer sheath variant [f] result.

In the example case the following diameters are given:

Cable Outer Sheath: 10 mm (By looking into the below shown dimensions chart of the KDSU the orange marked clamping ranges (Cable Outer Sheath [D]) can be selected).

Cable Inner Sheath: 8 mm (By looking into the below shown dimensions chart of the KDSU the orange marked clamping ranges (Cable Inner Sheath [C]) can be selected).

Dimensions

| Gland Size [ggg] | Entry thread | Entry thread Length [B] | Max Outer Diameter [A] | Max Length | Gland Seal Range | | | | | | Armour Acceptance Range | Shroud Size |
|---------------------|--------------|----------------------------|---------------------------|------------|------------------------|------|------------------------|------|---------------|------|-------------------------|-------------|
| | | | | | Cable Inner Sheath [C] | | Cable Outer Sheath [D] | | | | | |
| | | | | | Min | Max | Standard [f]=2 | | Reduced [f]=1 | | | |
| | | | | | | | Min | Max | Min | Max | | |
| G16 | M20 | 16 | 28.0 | 78.0 | 3.4 | 8.4 | 9.0 | 13.5 | 6.7 | 10.3 | 0.15 - 1.25 | L24 |
| G20S | M20 | 16 | 28.0 | 78.0 | 7.2 | 11.7 | 11.5 | 16.0 | 9.4 | 12.5 | 0.15 - 1.25 | L24 |
| G20 | M20 | 16 | 33.0 | 78.0 | 9.4 | 14.0 | 15.5 | 21.1 | 12.0 | 17.6 | 0.15 - 1.25 | EL30 |
| G25 | M25 | 16 | 41.4 | 90.0 | 13.5 | 20.0 | 20.3 | 27.4 | 16.8 | 23.9 | 0.15 - 1.60 | EL38 |
| G32 | M32 | 16 | 50.6 | 105.0 | 19.5 | 26.3 | 26.7 | 34.0 | 23.2 | 30.5 | 0.15 - 2.00 | EL46 |
| G40 | M40 | 16 | 60.5 | 113.0 | 23.0 | 32.2 | 33.0 | 40.6 | 28.6 | 36.2 | 0.20 - 2.00 | EL55 |
| G50S | M50 | 16 | 71.5 | 125.0 | 28.1 | 38.2 | 39.4 | 46.7 | 34.8 | 42.4 | 0.30 - 2.50 | EL65 |
| G50 | M50 | 16 | 71.5 | 125.0 | 33.1 | 44.1 | 45.7 | 53.2 | 41.1 | 48.5 | 0.30 - 2.50 | EL65 |
| G63S | M63 | 19 | 88.0 | 125.0 | 39.2 | 50.1 | 52.1 | 59.5 | 47.5 | 54.8 | 0.30 - 2.50 | EL80 |
| G63 | M63 | 19 | 88.0 | 125.0 | 46.7 | 56.0 | 58.4 | 65.8 | 53.8 | 61.2 | 0.30 - 2.50 | EL80 |
| G75S | M75 | 19 | 99.0 | 131.0 | 52.1 | 62.0 | 64.8 | 72.2 | 60.2 | 68.0 | 0.30 - 2.50 | EL90 |
| G75 | M75 | 19 | 99.0 | 131.0 | 58.0 | 68.0 | 71.1 | 78.0 | 66.5 | 73.4 | 0.30 - 2.50 | EL90 |

All dimensions in mm

By the selection of the inner [C] resp. outer [D] clamping range, a range should be used where the diameter of the cable outer and inner sheath are as near as possible to the average of the Min/Max Values. In doing so, the reduced cable outer sheath with the gland size G20S and the entry thread of M20 has to be selected.

Consequently is

[f]=1

[ggg]=G20S

[a]=M20

The generated information has to be filled into the order key below:

| Order key | [Type] | [a] | [b] | [c] | [d] | [e] | [f] | [ggg] |
|---------------------|--------|-----|-----|-----|-----|-----|-----|-------|
| Article description | KDSU | M20 | B | S | 0 | NI | 1 | G20S |

Resulting from the complete article description the relating order number (brown marked) can be determined.

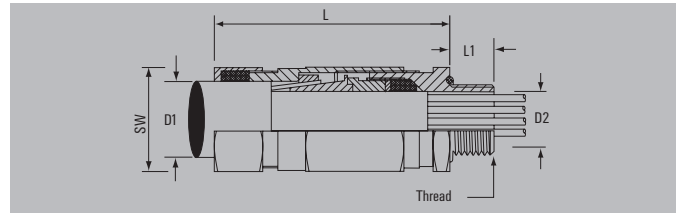
Extract from table KDSU "Nickel-plated brass gland with silicone sealing" on page D.28

| Order No. | Description | [Type] | [a] | [b] | [c] | [d] | [e] | [f] | [ggg] | Qty. |
|------------|-------------------------|--------|-----|-----|-----|-----|-----|-----|-------|------|
| 0930001221 | KDSU M20 BS 0 NI 1 G16 | KDSU | M20 | B | S | 0 | NI | 1 | G16 | 20 |
| 0930001222 | KDSU M20 BS 0 NI 2 G16 | KDSU | M20 | B | S | 0 | NI | 2 | G16 | 20 |
| 0930011223 | KDSU M20 BS 0 NI 1 G20S | KDSU | M20 | B | S | 0 | NI | 1 | G20S | 20 |
| 0930011224 | KDSU M20 BS 0 NI 2 G20S | KDSU | M20 | B | S | 0 | NI | 2 | G20S | 20 |
| 0930021221 | KDSU M20 BS 0 NI 1 G20 | KDSU | M20 | B | S | 0 | NI | 1 | G20 | 20 |
| ... | ... | ... | ... | ... | ... | ... | ... | ... | ... | ... |

Klippon® cable glands – Nickel-plated Brass – Ex e, Ex d, IP68 for armoured and non-armoured cables



All-purpose cable gland for cables and lines with single-wire armouring, metal-foil armouring and braided armouring. Non-armoured cables and lines can also be connected.



Technical data

| | |
|--------------------------------------|--|
| Material | Brass, nickel-plated |
| O-Ring / Seal insert | NBR / CR |
| Temperature range | -35 °C...90 °C |
| Degree of protection | IP66, IP68 - 2.5 bar |
| Water depth | 25 m (30 Min.) |
| Type of armouring | Single-wire armouring, Metal foil armouring, Braided armouring |
| Marking | ATEX: II 2G, Ex db IIC Gb, Ex eb IIC Gb, II 1D, Ex ta IIIC Da, IECEx: Ex db IIC Gb, Ex eb IIC Gb, Ex ta IIIC Da |
| Certificate no. (ATEX / IECEx / EAC) | SIRA 05ATEX1285X / IECEx SIR 05.0067X / RUC-DE.IT08.B.00594 |
| Note | Length "L" depends on the cable diameter used. Cable glands made of brass with natural surface are available in the online catalogue (catalog.weidmueller.com). |

Ordering data

| Type | Thread | D1 outer cable Ø | D2 inner cable Ø | Cable armour | L/L1 | SW | SUHB | Qty. | Order No. |
|------------------------------------|--------|------------------|------------------|--------------|----------|----|------|------|------------|
| metric, nickel-plated brass | | | | | | | | | |
| KDSU M20 BN 0 NI 1 G16 | M 20 | 6.7-10.3 | 3.40-8.40 | 0.1-1.25 | 78 / 16 | 24 | L24 | 20 | 1083280000 |
| KDSU M20 BN 0 NI 2 G16 | M 20 | 9-13.5 | 3.40-8.40 | 0.1-1.25 | 78 / 16 | 24 | L24 | 20 | 1911380000 |
| KDSU M20 BN 0 NI 1 G20S | M 20 | 9.4-12.5 | 7.20-11.70 | 0.1-1.25 | 78 / 16 | 24 | L24 | 20 | 1083290000 |
| KDSU M20 BN 0 NI 2 G20S | M 20 | 11.5-16 | 7.20-11.70 | 0.1-1.25 | 78 / 16 | 24 | L24 | 20 | 1911390000 |
| KDSU M20 BN 0 NI 1 G20 | M 20 | 12-17.6 | 9.40-14.00 | 0.1-1.25 | 78 / 16 | 30 | EL30 | 20 | 1083320000 |
| KDSU M20 BN 0 NI 2 G20 | M 20 | 15.5-21.1 | 9.40-14.00 | 0.1-1.25 | 78 / 16 | 30 | EL30 | 20 | 1911400000 |
| KDSU M25 BN 0 NI 1 G25 | M 25 | 16.8-23.9 | 13.50-20.00 | 0.1-1.6 | 90 / 16 | 38 | EL38 | 20 | 1083330000 |
| KDSU M25 BN 0 NI 2 G25 | M 25 | 20.3-27.4 | 13.50-20.00 | 0.1-1.6 | 90 / 16 | 38 | EL38 | 20 | 1911420000 |
| KDSU M32 BN 0 NI 1 G32 | M 32 | 23.2-30.5 | 19.50-26.30 | 0.1-2 | 105 / 16 | 46 | EL46 | 10 | 1083340000 |
| KDSU M32 BN 0 NI 2 G32 | M 32 | 26.7-34 | 19.50-26.30 | 0.1-2 | 105 / 16 | 46 | EL46 | 10 | 1911430000 |
| KDSU M40 BN 0 NI 1 G40 | M 40 | 28.6-36.2 | 23.00-32.20 | 0.1-2 | 113 / 16 | 55 | EL55 | 10 | 1083350000 |
| KDSU M40 BN 0 NI 2 G40 | M 40 | 33-40.6 | 23.00-32.20 | 0.1-2 | 113 / 16 | 55 | EL55 | 10 | 1911440000 |
| KDSU M50 BN 0 NI 1 G50 | M 50 | 41.1-48.5 | 33.10-44.10 | 0.1-2.5 | 125 / 16 | 65 | EL65 | 1 | 1083370000 |
| KDSU M50 BN 0 NI 2 G50 | M 50 | 45.7-53.2 | 33.10-44.10 | 0.1-2.5 | 125 / 16 | 65 | EL65 | 1 | 1911460000 |
| KDSU M50 BN 0 NI 1 G50S | M 50 | 34.8-42.4 | 28.10-38.20 | 0.1-2.5 | 125 / 16 | 65 | EL65 | 1 | 1083360000 |
| KDSU M50 BN 0 NI 2 G50S | M 50 | 39.4-46.7 | 28.10-38.20 | 0.1-2.5 | 125 / 16 | 65 | EL65 | 1 | 1911450000 |
| KDSU M63 BN 0 NI 1 G63S | M 63 | 47.5-54.8 | 39.20-50.10 | 0.1-2.5 | 125 / 19 | 80 | EL80 | 1 | 1083380000 |
| KDSU M63 BN 0 NI 2 G63S | M 63 | 52.1-59.5 | 39.20-50.10 | 0.1-2.5 | 125 / 19 | 80 | EL80 | 1 | 1911480000 |
| KDSU M63 BN 0 NI 1 G63 | M 63 | 53.8-61.2 | 46.70-56.00 | 0.1-2.5 | 125 / 16 | 80 | EL80 | 1 | 1083390000 |
| KDSU M63 BN 0 NI 2 G63 | M 63 | 58.4-65.8 | 46.70-56.00 | 0.1-2.5 | 125 / 19 | 80 | EL80 | 1 | 1911490000 |
| KDSU M75 BN 0 NI 1 G75S | M 75 | 60.2-68 | 52.10-62.00 | 0.1-2.5 | 131 / 19 | 90 | EL90 | 1 | 1083400000 |
| KDSU M75 BN 0 NI 2 G75S | M 75 | 64.8-72.2 | 52.10-62.00 | 0.1-2.5 | 131 / 19 | 90 | EL90 | 1 | 1083410000 |
| KDSU M75 BN 0 NI 1 G75 | M 75 | 66.5-73.4 | 58.00-68.00 | 0.1-2.5 | 131 / 19 | 90 | EL90 | 1 | 1083420000 |
| KDSU M75 BN 0 NI 2 G75 | M 75 | 71.1-78 | 58.00-68.00 | 0.1-2.5 | 131 / 19 | 90 | EL90 | 1 | 1083430000 |

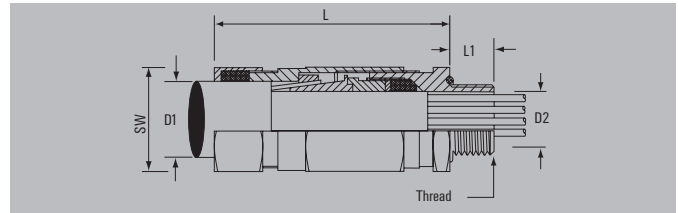
- Note**
- All cable glands have a thread pitch of 1.5 mm.
 - In the case of Ex d applications, the inner threads used for cable glands must meet the requirements of section 5.3 of EN/IEC 60079-1. In the screwed in position, at least 5 threads must be engaged.
 - If the cable glands are installed in non-metallic Ex e connection equipment, these must be connected to the protective earth of the system.
 - The connection cable must be laid securely and inflexibly to rule out tensile stress.
 - Installation specifications and tightening torques can be found in the installation instructions. For further information please use our online catalogue: catalog.weidmueller.com.

Ex-cable glands - Brass

Klippon® cable glands - Nickel-plated Brass - Ex e, Ex d, IP68 for armoured and non-armoured cables



All-purpose cable gland for cables and lines with single-wire armouring, metal-foil armouring and braided armouring. Non-armoured cables and lines can also be connected.



Technical data

| | |
|--------------------------------------|--|
| Material | Brass, nickel-plated |
| O-Ring / Seal insert | Silicone / Silicone |
| Temperature range | -60 °C...180 °C |
| Degree of protection | IP66, IP68 - 2.5 bar |
| Water depth | 25 m (30 Min.) |
| Type of armouring | Single-wire armouring, Metal foil armouring, Braided armouring |
| Marking | ATEX: II 2G, Ex db IIC Gb, Ex eb IIC Gb, II 1D, Ex ta IIIC Da, IECEx: Ex db IIC Gb, Ex eb IIC Gb, Ex ta IIIC Da |
| Certificate no. (ATEX / IECEx / EAC) | SIRA 05ATEX1285X / IECEx SIR 05.0067X / RUC-DE.IT08.B.00594 |
| Note | Length "L" depends on the cable diameter used. Cable glands made of brass with natural surface are available in the online catalogue (catalog.weidmueller.com). |

Ordering data

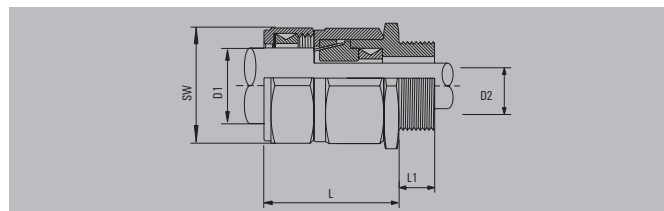
| Type | Thread | D1 outer cable Ø | D2 inner cable Ø | Cable armour | L/L1 | SW | SUHB | Qty. | Order No. |
|------------------------------------|--------|------------------|------------------|--------------|----------|----|------|------|------------|
| metric, nickel-plated brass | | | | | | | | | |
| KDSU M20 BS 0 NI 1 G16 | M 20 | 6.7-10.3 | 3.40-8.40 | 0.1-1.25 | 78 / 16 | 24 | L24 | 20 | 0930001221 |
| KDSU M20 BS 0 NI 2 G16 | M 20 | 9-13.5 | 3.40-8.40 | 0.1-1.25 | 78 / 16 | 24 | L24 | 20 | 0930001222 |
| KDSU M20 BS 0 NI 1 G20 | M 20 | 12-17.6 | 9.40-14.00 | 0.1-1.25 | 78 / 16 | 30 | EL30 | 20 | 0930021221 |
| KDSU M20 BS 0 NI 2 G20 | M 20 | 15.5-21.1 | 9.40-14.00 | 0.1-1.25 | 78 / 16 | 30 | EL30 | 20 | 0930021222 |
| KDSU M20 BS 0 NI 1 G20S | M 20 | 9.4-12.5 | 7.20-11.70 | 0.1-1.25 | 78 / 16 | 24 | L24 | 20 | 0930011223 |
| KDSU M20 BS 0 NI 2 G20S | M 20 | 11.5-16 | 7.20-11.70 | 0.1-1.25 | 78 / 16 | 24 | L24 | 20 | 0930011224 |
| KDSU M25 BS 0 NI 1 G25 | M 25 | 16.8-23.9 | 13.50-20.00 | 0.1-1.6 | 90 / 16 | 38 | EL38 | 20 | 0930031221 |
| KDSU M25 BS 0 NI 2 G25 | M 25 | 20.3-27.4 | 13.50-20.00 | 0.1-1.6 | 90 / 16 | 38 | EL38 | 1 | 0930031222 |
| KDSU M32 BS 0 NI 1 G32 | M 32 | 23.2-30.5 | 19.50-26.30 | 0.1-2 | 105 / 16 | 46 | EL46 | 10 | 0930041221 |
| KDSU M32 BS 0 NI 2 G32 | M 32 | 26.7-34 | 19.50-26.30 | 0.1-2 | 105 / 16 | 46 | EL46 | 10 | 0930041222 |
| KDSU M40 BS 0 NI 1 G40 | M 40 | 28.6-36.2 | 23.00-32.20 | 0.1-2 | 113 / 16 | 55 | EL55 | 10 | 1136990000 |
| KDSU M40 BS 0 NI 2 G40 | M 40 | 33-40.6 | 23.00-32.20 | 0.1-2 | 113 / 16 | 55 | EL55 | 10 | 0930051222 |
| KDSU M50 BS 0 NI 1 G50 | M 50 | 41.1-48.5 | 33.10-44.10 | 0.1-2.5 | 125 / 16 | 65 | EL65 | 1 | 1137010000 |
| KDSU M50 BS 0 NI 2 G50 | M 50 | 45.7-53.2 | 33.10-44.10 | 0.1-2.5 | 125 / 16 | 65 | EL65 | 1 | 1137020000 |
| KDSU M50 BS 0 NI 1 G50S | M 50 | 34.8-42.4 | 28.10-38.20 | 0.1-2.5 | 125 / 16 | 65 | EL65 | 1 | 1137000000 |
| KDSU M50 BS 0 NI 2 G50S | M 50 | 39.4-46.7 | 28.10-38.20 | 0.1-2.5 | 125 / 16 | 65 | EL65 | 1 | 0930061224 |
| KDSU M63 BS 0 NI 1 G63 | M 63 | 53.8-61.2 | 46.70-56.00 | 0.1-2.5 | 125 / 19 | 80 | EL80 | 1 | 1137050000 |
| KDSU M63 BS 0 NI 2 G63 | M 63 | 58.4-65.8 | 46.70-56.00 | 0.1-2.5 | 125 / 19 | 80 | EL80 | 1 | 0930091222 |
| KDSU M63 BS 0 NI 1 G63S | M 63 | 47.5-54.8 | 39.20-50.10 | 0.1-2.5 | 125 / 19 | 80 | EL80 | 1 | 1137030000 |
| KDSU M63 BS 0 NI 2 G63S | M 63 | 52.1-59.5 | 39.20-50.10 | 0.1-2.5 | 125 / 19 | 80 | EL80 | 1 | 1137040000 |
| KDSU M75 BS 0 NI 1 G75 | M 75 | 66.5-73.4 | 58.00-68.00 | 0.1-2.5 | 131 / 19 | 90 | EL90 | 1 | 1137080000 |
| KDSU M75 BS 0 NI 2 G75 | M 75 | 71.1-78 | 58.00-68.00 | 0.1-2.5 | 131 / 19 | 90 | EL90 | 1 | 1137090000 |
| KDSU M75 BS 0 NI 1 G75S | M 75 | 60.2-68 | 52.10-62.00 | 0.1-2.5 | 131 / 19 | 90 | EL90 | 1 | 1137060000 |
| KDSU M75 BS 0 NI 2 G75S | M 75 | 64.8-72.2 | 52.10-62.00 | 0.1-2.5 | 131 / 19 | 90 | EL90 | 1 | 1137070000 |

- Note**
- All cable glands have a thread pitch of 1.5 mm.
 - In the case of Ex d applications, the inner threads used for cable glands must meet the requirements of section 5.3 of EN/IEC 60079-1. In the screwed in position, at least 5 threads must be engaged.
 - If the cable glands are installed in non-metallic Ex e connection equipment, these must be connected to the protective earth of the system.
 - The connection cable must be laid securely and inflexibly to rule out tensile stress.
 - Installation specifications and tightening torques can be found in the installation instructions. For further information please use our online catalogue: catalog.weidmueller.com.

Klippon® cable glands – Nickel-plated Brass – Ex e, Ex d, IP66 / IP68 for armoured cables



Cable gland for cables and lines with single-wire armouring.



Technical data

| | |
|--------------------------------------|--|
| Material | Brass, nickel-plated |
| Seal insert | CR |
| Temperature range | -35 °C...90 °C |
| Protection class | IP54 |
| Protection degree with GWDR | IP66, IP68 - 2.5 bar |
| Water depth | 25 m (30 Min.) |
| Type of armouring | Single-wire armouring |
| Marking | ATEX: II 2G, Ex db IIC Gb, Ex eb IIC Gb, II 1D, Ex ta IIIC Da, IECEx: Ex db IIC Gb, Ex eb IIC Gb, Ex ta IIIC Da |
| Certificate no. (ATEX / IECEx / EAC) | SIRA 05ATEX1286X / IECEx SIR 05.0067X / RUC-DE.IT08.B.00594 |
| Note | Length "L" depends on the cable diameter used. IP protection without GWDR is IP54. To achieve IP66 / IP68 protection, a nylon GWDR must be ordered separately. Cable glands made of brass with natural surface are available in the online catalogue (catalog.weidmuller.com). |

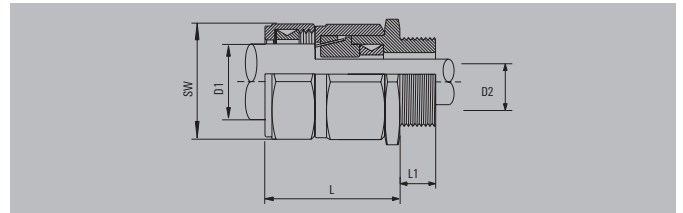
Ordering data

| Type | Thread | D1 outer cable Ø | D2 inner cable Ø | Cable armour | L/L1 | SW | SUHB | Qty. | Order No. |
|------------------------------------|---|------------------|------------------|--------------|---------|----|------|------|------------|
| metric, nickel-plated brass | | | | | | | | | |
| KDSW M20 BN 0 NI 1 G16 | M 20 | 4.9-10.3 | 3.50-8.40 | 0.9 | 58 / 16 | 24 | L24 | 20 | 1075030000 |
| KDSW M20 BN 0 NI 2 G16 | M 20 | 8.4-13.5 | 3.50-8.40 | 0.9 | 58 / 16 | 24 | L24 | 20 | 1075040000 |
| KDSW M20 BN 0 NI 1 G20 | M 20 | 12-17.6 | 6.70-14.00 | 0.9-1.25 | 58 / 16 | 30 | L30 | 20 | 1075070000 |
| KDSW M20 BN 0 NI 2 G20 | M 20 | 15.5-21.1 | 6.70-14.00 | 0.9-1.25 | 58 / 16 | 30 | L30 | 20 | 1075080000 |
| KDSW M20 BN 0 NI 1 G20S | M 20 | 9.4-12.5 | 8.00-11.70 | 0.9-1.25 | 58 / 16 | 30 | L24 | 20 | 1075050000 |
| KDSW M20 BN 0 NI 2 G20S | M 20 | 11.5-16 | 8.00-11.70 | 0.9-1.25 | 58 / 16 | 24 | L24 | 20 | 1075060000 |
| KDSW M25 BN 0 NI 1 G25 | M 25 | 16.8-23.9 | 13.00-20.00 | 1.25-1.6 | 58 / 16 | 38 | L38 | 20 | 1075090000 |
| KDSW M25 BN 0 NI 2 G25 | M 25 | 20.3-27.4 | 13.00-20.00 | 1.25-1.6 | 58 / 16 | 38 | L38 | 20 | 1075110000 |
| KDSW M32 BN 0 NI 1 G32 | M 32 | 23.2-30.5 | 19.00-26.30 | 1.6-2 | 65 / 16 | 46 | L46 | 10 | 1075120000 |
| KDSW M32 BN 0 NI 2 G32 | M 32 | 26.7-34 | 19.00-26.30 | 1.6-2 | 65 / 16 | 46 | L46 | 10 | 1075130000 |
| KDSW M40 BN 0 NI 1 G40 | M 40 | 28.6-36.2 | 25.00-32.20 | 1.6-2 | 72 / 16 | 55 | L55 | 10 | 1075140000 |
| KDSW M40 BN 0 NI 2 G40 | M 40 | 33-40.6 | 25.00-32.20 | 1.6-2 | 72 / 16 | 55 | L55 | 10 | 1075150000 |
| KDSW M50 BN 0 NI 1 G50 | M 50 | 41.1-48.5 | 36.50-44.10 | 2-2.5 | 73 / 16 | 65 | L65 | 1 | 1075180000 |
| KDSW M50 BN 0 NI 2 G50 | M 50 | 45.7-53.2 | 36.50-44.10 | 2-2.5 | 73 / 16 | 65 | L65 | 1 | 1075190000 |
| KDSW M50 BN 0 NI 1 G50S | M 50 | 34.8-42.4 | 31.50-38.20 | 2-2.5 | 73 / 16 | 65 | L65 | 1 | 1075160000 |
| KDSW M50 BN 0 NI 2 G50S | M 50 | 39.4-46.7 | 31.50-38.20 | 2-2.5 | 73 / 16 | 65 | L65 | 1 | 1075170000 |
| KDSW M63 BN 0 NI 1 G63 | M 63 | 53.8-61.2 | 49.50-56.00 | 2.5 | 76 / 19 | 80 | L80 | 1 | 1075230000 |
| KDSW M63 BN 0 NI 2 G63 | M 63 | 58.4-65.8 | 49.50-56.00 | 2.5 | 76 / 19 | 80 | L80 | 1 | 1075240000 |
| KDSW M63 BN 0 NI 1 G63S | M 63 | 47.5-54.8 | 42.50-50.10 | 2.5 | 76 / 19 | 80 | L80 | 1 | 1075210000 |
| KDSW M63 BN 0 NI 2 G63S | M 63 | 52.1-59.5 | 42.50-50.10 | 2.5 | 76 / 19 | 80 | L80 | 1 | 1075220000 |
| KDSW M75 BN 0 NI 1 G75 | M 75 | 66.5-73.4 | 60.50-68.00 | 2.5 | 82 / 19 | 90 | L90 | 1 | 1075270000 |
| KDSW M75 BN 0 NI 2 G75 | M 75 | 71.1-78 | 60.50-68.00 | 2.5 | 82 / 19 | 90 | L90 | 1 | 1075280000 |
| KDSW M75 BN 0 NI 1 G75S | M 75 | 60.2-68 | 54.50-62.00 | 2.5 | 82 / 19 | 90 | L90 | 1 | 1075250000 |
| KDSW M75 BN 0 NI 2 G75S | M 75 | 64.8-72.2 | 54.50-62.00 | 2.5 | 82 / 19 | 90 | L90 | 1 | 1075260000 |
| Note | <ul style="list-style-type: none"> All cable glands have a thread pitch of 1.5 mm. In the case of Ex d applications, the inner threads used for cable glands must meet the requirements of section 5.3 of EN/IEC 60079-1. In the screwed in position, at least 5 threads must be engaged. If the cable glands are installed in non-metallic Ex e connection equipment, these must be connected to the protective earth of the system. The connection cable must be laid securely and inflexibly to rule out tensile stress. Installation specifications and tightening torques can be found in the installation instructions. For further information please use our online catalogue: catalog.weidmuller.com. | | | | | | | | |

Klippon® cable glands - Nickel-plated Brass - Ex e, Ex d, IP66 / IP68 for armoured cables



Cable gland for cables and lines with single-wire armouring.



Technical data

| | |
|--------------------------------------|--|
| Material | Brass, nickel-plated |
| Seal insert | Silicone |
| Temperature range | -60 °C...180 °C |
| Protection class | IP54 |
| Protection degree with GWDR | IP66, IP68 - 2.5 bar |
| Water depth | 25 m (30 Min.) |
| Type of armouring | Single-wire armouring |
| Marking | ATEX: II 2G, Ex db IIC Gb, Ex eb IIC Gb, II 1D, Ex ta IIIC Da, IECEx: Ex db IIC Gb, Ex eb IIC Gb, Ex ta IIIC Da |
| Certificate no. (ATEX / IECEx / EAC) | SIRA 05ATEX1286X / IECEx SIR 05.0067X / RUC-DE.IT08.B.00594 |
| Note | Length "L" depends on the cable diameter used. IP protection without GWDR is IP54. To achieve IP66 / IP68 protection, a nylon GWDR must be ordered separately. Cable glands made of brass with natural surface are available in the online catalogue (catalog.weidmuller.com). |

Ordering data

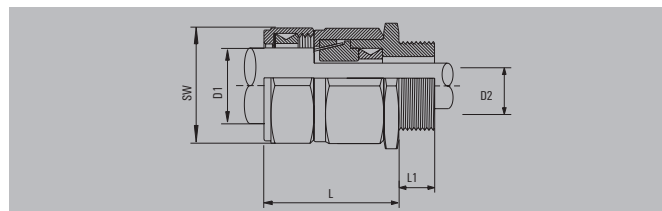
| Type | Thread | D1 outer cable Ø | D2 inner cable Ø | Cable armour | L/L1 | SW | SUHB | Qty. | Order No. |
|------------------------------------|--------|------------------|------------------|--------------|---------|----|------|------|------------|
| metric, nickel-plated brass | | | | | | | | | |
| KDSW M20 BS 0 NI 1 G16 | M 20 | 4.9-10.3 | 3.50-8.40 | 0.9 | 58 / 16 | 24 | L24 | 20 | 1136410000 |
| KDSW M20 BS 0 NI 2 G16 | M 20 | 8.4-13.5 | 3.50-8.40 | 0.9 | 58 / 16 | 24 | L24 | 20 | 1136420000 |
| KDSW M20 BS 0 NI 1 G20 | M 20 | 12-17.6 | 9.30-14.00 | 0.9-1.25 | 58 / 16 | 30 | L30 | 20 | 1136450000 |
| KDSW M20 BS 0 NI 2 G20 | M 20 | 15.5-21.1 | 9.30-14.00 | 0.9-1.25 | 58 / 16 | 30 | L30 | 20 | 1136460000 |
| KDSW M20 BS 0 NI 1 G20S | M 20 | 9.4-12.5 | 8.00-11.70 | 0.9-1.25 | 58 / 16 | 30 | L24 | 20 | 1136430000 |
| KDSW M20 BS 0 NI 2 G20S | M 20 | 11.5-16 | 8.00-11.70 | 0.9-1.25 | 58 / 16 | 24 | L24 | 20 | 1136440000 |
| KDSW M25 BS 0 NI 1 G25 | M 25 | 16.8-23.9 | 13.00-20.00 | 1.25-1.6 | 58 / 16 | 38 | L38 | 20 | 1136470000 |
| KDSW M25 BS 0 NI 2 G25 | M 25 | 20.3-27.4 | 13.00-20.00 | 1.25-1.6 | 58 / 16 | 38 | L38 | 20 | 1136480000 |
| KDSW M32 BS 0 NI 1 G32 | M 32 | 23.2-30.5 | 19.00-26.30 | 1.6-2 | 65 / 16 | 46 | L46 | 10 | 1136490000 |
| KDSW M32 BS 0 NI 2 G32 | M 32 | 26.7-34 | 19.00-26.30 | 1.6-2 | 65 / 16 | 46 | L46 | 10 | 1136510000 |
| KDSW M40 BS 0 NI 1 G40 | M 40 | 28.6-36.2 | 25.00-32.20 | 1.6-2 | 72 / 16 | 55 | L55 | 10 | 1136520000 |
| KDSW M40 BS 0 NI 2 G40 | M 40 | 33-40.6 | 25.00-32.20 | 1.6-2 | 72 / 16 | 55 | L55 | 10 | 1136530000 |
| KDSW M50 BS 0 NI 1 G50 | M 50 | 41.1-48.5 | 36.50-44.10 | 2-2.5 | 73 / 16 | 65 | L65 | 1 | 1136560000 |
| KDSW M50 BS 0 NI 2 G50 | M 50 | 45.7-53.2 | 36.50-44.10 | 2-2.5 | 73 / 16 | 65 | L65 | 1 | 1136570000 |
| KDSW M50 BS 0 NI 1 G50S | M 50 | 34.8-42.4 | 31.50-38.20 | 2-2.5 | 73 / 16 | 65 | L65 | 1 | 1136540000 |
| KDSW M50 BS 0 NI 2 G50S | M 50 | 39.4-46.7 | 31.50-38.20 | 2-2.5 | 73 / 16 | 65 | L65 | 1 | 1136550000 |
| KDSW M63 BS 0 NI 1 G63 | M 63 | 53.8-61.2 | 49.50-56.00 | 2.5 | 76 / 19 | 80 | L80 | 1 | 1136600000 |
| KDSW M63 BS 0 NI 2 G63 | M 63 | 58.4-65.8 | 49.50-56.00 | 2.5 | 76 / 19 | 80 | L80 | 1 | 1136610000 |
| KDSW M63 BS 0 NI 1 G63S | M 63 | 47.5-54.8 | 42.50-50.10 | 2.5 | 76 / 19 | 80 | L80 | 1 | 1136580000 |
| KDSW M63 BS 0 NI 2 G63S | M 63 | 52.1-59.5 | 42.50-50.10 | 2.5 | 76 / 19 | 80 | L80 | 1 | 1136590000 |
| KDSW M75 BS 0 NI 1 G75 | M 75 | 66.5-73.4 | 60.50-68.00 | 2.5 | 82 / 19 | 90 | L90 | 1 | 1136640000 |
| KDSW M75 BS 0 NI 2 G75 | M 75 | 71.1-78 | 60.50-68.00 | 2.5 | 82 / 19 | 90 | L90 | 1 | 1136650000 |
| KDSW M75 BS 0 NI 1 G75S | M 75 | 60.2-68 | 54.50-62.00 | 2.5 | 82 / 19 | 90 | L90 | 1 | 1136620000 |
| KDSW M75 BS 0 NI 2 G75S | M 75 | 64.8-72.2 | 54.50-62.00 | 2.5 | 82 / 19 | 90 | L90 | 1 | 1136630000 |

| | |
|-------------|---|
| Note | <ul style="list-style-type: none"> All cable glands have a thread pitch of 1.5 mm. In the case of Ex d applications, the inner threads used for cable glands must meet the requirements of section 5.3 of EN/IEC 60079-1. In the screwed in position, at least 5 threads must be engaged. If the cable glands are installed in non-metallic Ex e connection equipment, these must be connected to the protective earth of the system. The connection cable must be laid securely and inflexibly to rule out tensile stress. Installation specifications and tightening torques can be found in the installation instructions. For further information please use our online catalogue: catalog.weidmuller.com. |
|-------------|---|

Klippon® cable glands – Nickel-plated Brass – Ex e, Ex d, IP66 / IP68 for armoured cables



Cable gland for cables and lines with single-wire armouring and lead-sheath armouring.



Technical data

| | |
|--------------------------------------|--|
| Material | Brass, nickel-plated |
| Seal insert | CR |
| Temperature range | -35 °C...90 °C |
| Protection class | IP54 |
| Protection degree with GWDR | IP66, IP68 - 2.5 bar |
| Water depth | 25 m (30 Min.) |
| Type of armouring | Single-wire armouring, Lead sheath armouring |
| Marking | ATEX: II 2G, Ex db IIC Gb, Ex eb IIC Gb, II 1D, Ex ta IIIC Da, IECEx: Ex db IIC Gb, Ex eb IIC Gb, Ex ta IIIC Da |
| Certificate no. (ATEX / IECEx / EAC) | SIRA 05ATEX1286X / IECEx SIR 05.0067X / RUC-DE.IT08.B.00594 |
| Note | Length "L" depends on the cable diameter used. IP protection without GWDR is IP54. To achieve IP66 / IP68 protection, a nylon GWDR must be ordered separately. Cable glands made of brass with natural surface are available in the online catalogue (catalog.weidmuller.com). |

Ordering data

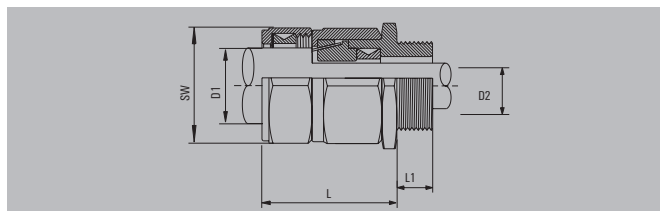
| Type | Thread | D1 outer cable Ø | D2 inner cable Ø | Cable armour | L/L1 | SW | SUHB | Qty. | Order No. |
|------------------------------------|--------|------------------|------------------|--------------|---------|----|------|------|------------|
| metric, nickel-plated brass | | | | | | | | | |
| KDSW M20 BN L NI 1 G16 | M 20 | 4.9-10.3 | 3.50-8.40 | 0.9 | 58 / 16 | 24 | L24 | 20 | 1074660000 |
| KDSW M20 BN L NI 2 G16 | M 20 | 8.4-13.5 | 3.50-8.40 | 0.9 | 58 / 16 | 24 | L24 | 20 | 1074690000 |
| KDSW M20 BN L NI 1 G20 | M 20 | 12-17.6 | 6.70-14.00 | 0.9-1.25 | 58 / 16 | 30 | L30 | 20 | 1074760000 |
| KDSW M20 BN L NI 2 G20 | M 20 | 15.5-21.1 | 6.70-14.00 | 0.9-1.25 | 58 / 16 | 30 | L30 | 20 | 1074780000 |
| KDSW M20 BN L NI 1 G20S | M 20 | 9.4-12.5 | 8.00-11.70 | 0.9-1.25 | 58 / 16 | 24 | L24 | 20 | 1074720000 |
| KDSW M20 BN L NI 2 G20S | M 20 | 11.5-16 | 8.00-11.70 | 0.9-1.25 | 58 / 16 | 24 | L24 | 20 | 1074740000 |
| KDSW M25 BN L NI 1 G25 | M 25 | 16.8-23.9 | 13.00-20.00 | 1.25-1.6 | 58 / 16 | 38 | L38 | 20 | 1074810000 |
| KDSW M25 BN L NI 2 G25 | M 25 | 20.3-27.4 | 13.00-20.00 | 1.25-1.6 | 58 / 16 | 38 | L38 | 20 | 1074830000 |
| KDSW M32 BN L NI 1 G32 | M 32 | 23.2-30.5 | 19.00-26.30 | 1.6-2 | 65 / 16 | 46 | L46 | 10 | 1074850000 |
| KDSW M32 BN L NI 2 G32 | M 32 | 26.7-34 | 19.00-26.30 | 1.6-2 | 65 / 16 | 46 | L46 | 10 | 1074860000 |
| KDSW M40 BN L NI 1 G40 | M 40 | 28.6-36.2 | 25.00-32.20 | 1.6-2 | 72 / 16 | 55 | L55 | 10 | 1074870000 |
| KDSW M40 BN L NI 2 G40 | M 40 | 33-40.6 | 25.00-32.20 | 1.6-2 | 72 / 16 | 55 | L55 | 10 | 1074880000 |
| KDSW M50 BN L NI 1 G50 | M 50 | 41.4-48.5 | 36.50-44.10 | 2.2-2.5 | 73 / 16 | 65 | L65 | 1 | 1074920000 |
| KDSW M50 BN L NI 2 G50 | M 50 | 45.7-53.2 | 36.50-44.10 | 2.2-2.5 | 73 / 16 | 65 | L65 | 1 | 1074930000 |
| KDSW M50 BN L NI 1 G50S | M 50 | 34.8-42.4 | 31.50-38.20 | 2.2-2.5 | 73 / 16 | 65 | L65 | 1 | 1074890000 |
| KDSW M50 BN L NI 2 G50S | M 50 | 39.4-46.7 | 31.50-38.20 | 2.2-2.5 | 73 / 16 | 65 | L65 | 1 | 1074910000 |
| KDSW M63 BN L NI 1 G63 | M 63 | 53.8-61.2 | 49.50-56.00 | 2.5 | 76 / 19 | 80 | L80 | 1 | 1074960000 |
| KDSW M63 BN L NI 2 G63 | M 63 | 58.4-65.8 | 49.50-56.00 | 2.5 | 76 / 19 | 80 | L80 | 1 | 1074970000 |
| KDSW M63 BN L NI 1 G63S | M 63 | 47.5-54.8 | 42.50-50.10 | 2.5 | 76 / 19 | 80 | L80 | 1 | 1074940000 |
| KDSW M63 BN L NI 2 G63S | M 63 | 52.1-59.5 | 42.50-50.10 | 2.5 | 76 / 19 | 80 | L80 | 1 | 1074950000 |
| KDSW M75 BN L NI 1 G75 | M 75 | 66.5-73.4 | 60.50-68.00 | 2.5 | 82 / 19 | 90 | L90 | 1 | 1075010000 |
| KDSW M75 BN L NI 2 G75 | M 75 | 71.1-78 | 60.50-68.00 | 2.5 | 82 / 19 | 90 | L90 | 1 | 1075020000 |
| KDSW M75 BN L NI 1 G75S | M 75 | 60.2-68 | 54.50-62.00 | 2.5 | 82 / 19 | 90 | L90 | 1 | 1074980000 |
| KDSW M75 BN L NI 2 G75S | M 75 | 64.8-72.2 | 54.50-62.00 | 2.5 | 82 / 19 | 90 | L90 | 1 | 1074990000 |

| | |
|-------------|---|
| Note | <ul style="list-style-type: none"> All cable glands have a thread pitch of 1.5 mm. In the case of Ex d applications, the inner threads used for cable glands must meet the requirements of section 5.3 of EN/IEC 60079-1. In the screwed in position, at least 5 threads must be engaged. If the cable glands are installed in non-metallic Ex e connection equipment, these must be connected to the protective earth of the system. The connection cable must be laid securely and inflexibly to rule out tensile stress. Installation specifications and tightening torques can be found in the installation instructions. For further information please use our online catalogue: catalog.weidmuller.com. |
|-------------|---|

Klippon® cable glands - Nickel-plated Brass - Ex e, Ex d, IP66 / IP68 for armoured cables



Cable gland for cables and lines with braided armouring.



Technical data

| | |
|--------------------------------------|---|
| Material | Brass, nickel-plated |
| Seal insert | Silicone |
| Temperature range | -60 °C...180 °C |
| Protection class | IP54 |
| Protection degree with GWDR | IP66, IP68 - 2.5 bar |
| Water depth | 25 m (30 Min.) |
| Type of armouring | Braided armouring |
| Marking | ATEX: II 2G, Ex db IIC Gb, Ex eb IIC Gb, II 1D, Ex ta IIIC Da, IECEx: Ex db IIC Gb, Ex eb IIC Gb, Ex ta IIIC Da |
| Certificate no. (ATEX / IECEx / EAC) | SIRA 05ATEX1286X / IECEx SIR 05.0067X / RUC-DE.IT08.B.00594 |
| Note | Length "L" depends on the cable diameter used. IP protection without GWDR is IP54. To achieve IP66 / IP68 protection, a nylon GWDR must be ordered separately. Cable glands made of brass with natural surface are available in the online catalogue (catalog.weidmueller.com). |

Ordering data

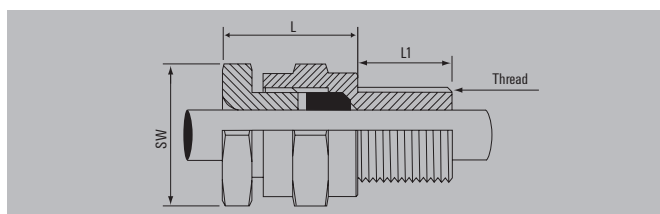
| Type | Thread | D1 outer cable Ø | D2 inner cable Ø | Cable armour | L/L1 | SW | SUHB | Qty. | Order No. |
|------------------------------------|--------|------------------|------------------|--------------|---------|----|------|------|------------|
| metric, nickel-plated brass | | | | | | | | | |
| KDSX M20 BS 0 NI 1 G16 | M 20 | 4.9-10.3 | 3.50-8.40 | 0.15-0.35 | 58 / 16 | 24 | L24 | 20 | 1135910000 |
| KDSX M20 BS 0 NI 2 G16 | M 20 | 8.4-13.5 | 3.50-8.40 | 0.15-0.35 | 58 / 16 | 24 | L24 | 20 | 1135920000 |
| KDSX M20 BS 0 NI 1 G20 | M 20 | 12-17.6 | 9.30-14.00 | 0.15-0.5 | 58 / 16 | 30 | L30 | 20 | 1135950000 |
| KDSX M20 BS 0 NI 2 G20 | M 20 | 15.5-21.1 | 9.30-14.00 | 0.15-0.5 | 58 / 16 | 30 | L30 | 20 | 1135960000 |
| KDSX M20 BS 0 NI 1 G20S | M 20 | 9.4-12.5 | 8.00-11.70 | 0.15-0.35 | 58 / 16 | 24 | L24 | 20 | 1135930000 |
| KDSX M20 BS 0 NI 2 G20S | M 20 | 11.5-16 | 8.00-11.70 | 0.15-0.35 | 58 / 16 | 24 | L24 | 20 | 1135940000 |
| KDSX M25 BS 0 NI 1 G25 | M 25 | 16.8-23.9 | 13.00-20.00 | 0.15-0.5 | 58 / 16 | 38 | L38 | 20 | 1135970000 |
| KDSX M25 BS 0 NI 2 G25 | M 25 | 20.3-27.4 | 13.00-20.00 | 0.15-0.5 | 58 / 16 | 38 | L38 | 20 | 1135980000 |
| KDSX M32 BS 0 NI 1 G32 | M 32 | 23.2-30.5 | 19.00-26.30 | 0.15-0.55 | 65 / 16 | 46 | L46 | 10 | 1135990000 |
| KDSX M32 BS 0 NI 2 G32 | M 32 | 26.7-34 | 19.00-26.30 | 0.15-0.55 | 65 / 16 | 46 | L46 | 10 | 1136000000 |
| KDSX M40 BS 0 NI 1 G40 | M 40 | 28.6-36.2 | 25.00-32.20 | 0.2-0.6 | 72 / 16 | 55 | L55 | 10 | 1136010000 |
| KDSX M40 BS 0 NI 2 G40 | M 40 | 33-40.6 | 25.00-32.20 | 0.2-0.6 | 72 / 16 | 55 | L55 | 10 | 1136020000 |
| KDSX M50 BS 0 NI 1 G50 | M 50 | 41.1-48.5 | 36.50-44.10 | 0.5-0.8 | 73 / 16 | 65 | L65 | 1 | 1136050000 |
| KDSX M50 BS 0 NI 2 G50 | M 50 | 45.7-53.2 | 36.50-44.10 | 0.5-0.8 | 73 / 16 | 65 | L65 | 1 | 1136060000 |
| KDSX M50 BS 0 NI 1 G50S | M 50 | 34.8-42.4 | 31.50-38.20 | 0.2-0.6 | 73 / 16 | 65 | L65 | 1 | 1136030000 |
| KDSX M50 BS 0 NI 2 G50S | M 50 | 39.4-46.7 | 31.50-38.20 | 0.2-0.6 | 73 / 16 | 65 | L65 | 1 | 1136040000 |
| KDSX M63 BS 0 NI 1 G63 | M 63 | 53.8-61.2 | 49.50-56.00 | 0.5-0.8 | 76 / 19 | 80 | L80 | 1 | 1136090000 |
| KDSX M63 BS 0 NI 2 G63 | M 63 | 58.4-65.8 | 49.50-56.00 | 0.5-0.8 | 76 / 19 | 80 | L80 | 1 | 1136110000 |
| KDSX M63 BS 0 NI 1 G63S | M 63 | 47.5-54.8 | 42.50-50.10 | 0.5-0.8 | 76 / 19 | 80 | L80 | 1 | 1136070000 |
| KDSX M63 BS 0 NI 2 G63S | M 63 | 52.1-59.5 | 42.50-50.10 | 0.5-0.8 | 76 / 19 | 80 | L80 | 1 | 1136080000 |
| KDSX M75 BS 0 NI 1 G75 | M 75 | 66.5-73.4 | 60.50-68.00 | 0.5-1 | 82 / 19 | 90 | L90 | 1 | 1136140000 |
| KDSX M75 BS 0 NI 2 G75 | M 75 | 71.1-78 | 60.50-68.00 | 0.5-1 | 82 / 19 | 90 | L90 | 1 | 1136150000 |
| KDSX M75 BS 0 NI 1 G75S | M 75 | 60.2-68 | 54.50-62.00 | 0.5-1 | 82 / 19 | 90 | L90 | 1 | 1136120000 |
| KDSX M75 BS 0 NI 2 G75S | M 75 | 64.8-72.2 | 54.50-62.00 | 0.5-1 | 82 / 19 | 90 | L90 | 1 | 1136130000 |

| | |
|-------------|--|
| Note | <ul style="list-style-type: none"> All cable glands have a thread pitch of 1.5 mm. In the case of Ex d applications, the inner threads used for cable glands must meet the requirements of section 5.3 of EN/IEC 60079-1. In the screwed in position, at least 5 threads must be engaged. If the cable glands are installed in non-metallic Ex e connection equipment, these must be connected to the protective earth of the system. The connection cable must be laid securely and inflexibly to rule out tensile stress. Installation specifications and tightening torques can be found in the installation instructions. For further information please use our online catalogue: catalog.weidmueller.com. |
|-------------|--|

Klippon® cable glands – Nickel-plated Brass – Ex e, Ex d, IP66 / IP68 for non-armoured cables



Cable gland exclusively for non-armoured cables and lines.



Technical data

| | |
|--------------------------------------|--|
| Material | Brass, nickel-plated |
| O-ring / Seal insert | CR / CR |
| Temperature range | -35 °C...90 °C |
| Degree of protection | IP66, IP68 - 2.5 bar |
| Water depth | 25 m (30 Min.) |
| Marking | ATEX: II 2GD, Ex db IIC Gb, Ex ta IIIC Da and/or II 2 GD, Ex eb IIC Gb, Ex ta IIIC Da, IECEx: Ex db IIC Gb, Ex eb IIC Gb, Ex ta IIIC Da |
| Certificate no. (ATEX / IECEx / EAC) | SIRA 05ATEX1287X / IECEx SIR 05.0067X / RUC-DE.IT08.B.00594 |
| Note | Length "L" depends on the cable diameter used. Cable glands made of brass with natural surface are available in the online catalogue (catalog.weidmueller.com). |

Ordering data

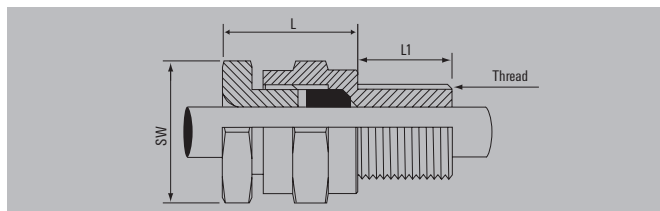
| Type | Thread | KB | L/L1 | SW | SUHB | Qty. | Order No. |
|------------------------------------|--------|-----------|---------|----|------|------|------------|
| metric, nickel-plated brass | | | | | | | |
| KSG M20 BN O NI 2 G16 | M 20 | 4-8.4 | 33 / 16 | 25 | L24 | 20 | 1911510000 |
| KSG M20 BN O NI 2 G20S | M 20 | 7.2-11.7 | 33 / 16 | 25 | L24 | 20 | 1911540000 |
| KSG M20 BN O NI 2 G20 | M 20 | 9.6-14 | 33 / 16 | 30 | L30 | 20 | 1911560000 |
| KSG M25 BN O NI 2 G25 | M 25 | 13.5-20 | 33 / 16 | 38 | L38 | 20 | 1911570000 |
| KSG M32 BN O NI 2 G32 | M 32 | 19.5-26.3 | 33 / 16 | 46 | L46 | 10 | 1911580000 |
| KSG M40 BN O NI 2 G40 | M 40 | 23-32.2 | 37 / 16 | 55 | L55 | 10 | 1911590000 |
| KSG M50 BN O NI 2 G50S | M 50 | 28.1-38.2 | 37 / 16 | 65 | L65 | 1 | 1911600000 |
| KSG M50 BN O NI 2 G50 | M 50 | 33.1-44.1 | 37 / 16 | 65 | L65 | 1 | 1911610000 |
| KSG M63 BN O NI 2 G63S | M 63 | 39.2-50.1 | 37 / 19 | 80 | L80 | 1 | 1911620000 |
| KSG M63 BN O NI 2 G63 | M 63 | 46.7-56 | 37 / 19 | 80 | L80 | 1 | 1911630000 |
| KSG M75 BN O NI 2 G75 | M 75 | 58-68 | 37 / 19 | 90 | L90 | 1 | 1075360000 |
| KSG M75 BN O NI 2 G75S | M 75 | 52.1-62 | 37 / 19 | 90 | L90 | 1 | 1075350000 |

| | |
|-------------|--|
| Note | <ul style="list-style-type: none"> All cable glands have a thread pitch of 1.5 mm. In the case of Ex d applications, the inner threads used for cable glands must meet the requirements of section 5.3 of EN/IEC 60079-1. In the screwed in position, at least 5 threads must be engaged. If the cable glands are installed in non-metallic Ex e connection equipment, these must be connected to the protective earth of the system. The connection cable must be laid securely and inflexibly to rule out tensile stress. Installation specifications and tightening torques can be found in the installation instructions. For further information please use our online catalogue: catalog.weidmueller.com. |
|-------------|--|

Klippon® cable glands - Brass - Ex e, Ex d, IP66 / IP68 for non-armoured cables



Cable gland exclusively for non-armoured cables and lines.



Technical data

| | |
|--------------------------------------|--|
| Material | Brass, nickel-plated |
| O-ring / Seal insert | Silicone / Silicone |
| Temperature range | -60 °C...180 °C |
| Degree of protection | IP66, IP68 - 2.5 bar |
| Water depth | 25 m (30 Min.) |
| Marking | ATEX: II 2GD, Ex db IIC Gb, Ex ta IIIC Da and/or II 2 GD, Ex eb IIC Gb, Ex ta IIIC Da, IECEx: Ex db IIC Gb, Ex eb IIC Gb, Ex ta IIIC Da |
| Certificate no. (ATEX / IECEx / EAC) | SIRA 05ATEX1287X / IECEx SIR 05.0067X / RUC-DE.IT08.B.00594 |
| Note | Length "L" depends on the cable diameter used. Cable glands made of brass with natural surface are available in the online catalogue (catalog.weidmueller.com). |

Ordering data

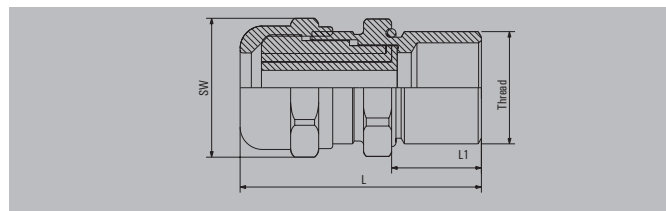
| Type | Thread | KB | L/L1 | SW | SUHB | Qty. | Order No. |
|------------------------------------|--------|-----------|---------|----|------|------|------------|
| metric, nickel-plated brass | | | | | | | |
| KSG M20 BS 0 NI 2 G16 | M 20 | 4-8.4 | 33 / 16 | 25 | L24 | 20 | 0930481222 |
| KSG M20 BS 0 NI 2 G20 | M 20 | 9.6-14 | 33 / 16 | 25 | L30 | 20 | 0930501222 |
| KSG M20 BS 0 NI 2 G20S | M 20 | 7.2-11.7 | 33 / 16 | 25 | L24 | 20 | 0930491224 |
| KSG M25 BS 0 NI 2 G25 | M 25 | 13.5-20 | 33 / 16 | 38 | L38 | 20 | 0930511222 |
| KSG M32 BS 0 NI 2 G32 | M 32 | 19.5-26.3 | 33 / 16 | 46 | L46 | 10 | 0930521222 |
| KSG M40 BS 0 NI 2 G40 | M 40 | 23-32.2 | 37 / 16 | 55 | L55 | 10 | 0930531222 |
| KSG M50 BS 0 NI 2 G50 | M 50 | 33.1-44.1 | 37 / 16 | 65 | L65 | 1 | 1136670000 |
| KSG M50 BS 0 NI 2 G50S | M 50 | 28.1-38.2 | 37 / 16 | 65 | L65 | 1 | 1136660000 |
| KSG M63 BS 0 NI 2 G63 | M 63 | 46.7-56 | 37 / 19 | 80 | L80 | 1 | 1136690000 |
| KSG M63 BS 0 NI 2 G63S | M 63 | 39.2-50.1 | 37 / 19 | 80 | L80 | 1 | 1136680000 |
| KSG M75 BS 0 NI 2 G75 | M 75 | 58-68 | 37 / 19 | 90 | L90 | 1 | 1136710000 |
| KSG M75 BS 0 NI 2 G75S | M 75 | 52.1-62 | 37 / 19 | 90 | L90 | 1 | 1136700000 |

| | |
|-------------|--|
| Note | <ul style="list-style-type: none"> All cable glands have a thread pitch of 1.5 mm. In the case of Ex d applications, the inner threads used for cable glands must meet the requirements of section 5.3 of EN/IEC 60079-1. In the screwed in position, at least 5 threads must be engaged. If the cable glands are installed in non-metallic Ex e connection equipment, these must be connected to the protective earth of the system. The connection cable must be laid securely and inflexibly to rule out tensile stress. Installation specifications and tightening torques can be found in the installation instructions. For further information please use our online catalogue: catalog.weidmueller.com. |
|-------------|--|

Ex cable glands – Brass – Nickel plated – Ex e, Ex d, IP 66 / IP 68 for non-armoured cables



Cable gland made from brass exclusively for non-armoured cables and lines. This Ex e/d approved screw connection has multiply divisible seal inserts (onion rings) to cover the greatest possible clamping range.



Technical data

| | |
|----------------------|--|
| Material | Brass, nickel-plated |
| O-ring / Seal insert | NBR / CR |
| Temperature range | -40 °C...100 °C |
| Degree of protection | IP66, IP68 |
| Marking | Ex d IIC Gb, Ex e IIC Gb, Ex tb IIIC Db IP66/68 |
| Note | Length "L" depends on the cable diameter used. Cable glands made of brass with natural surface are available in the online catalogue (catalog.weidmueller.com). |

Ordering data

| Type | Thread | KB | L/L1 | SW | Qty. | Order No. |
|---------------|--------|-------|-----------|----|------|------------|
| VG M16 EXE MS | M 16 | 3-12 | 46 / 16 | 22 | 50 | 1460040000 |
| VG M20 EXE MS | M 20 | 3-12 | 43 / 16 | 22 | 50 | 1460050000 |
| VG M25 EXE MS | M 25 | 10-18 | 45.5 / 16 | 28 | 20 | 1460070000 |
| VG M32 EXE MS | M 32 | 14-24 | 49 / 16 | 35 | 20 | 1460080000 |
| VG M40 EXE MS | M 40 | 22-32 | 59 / 18 | 45 | 10 | 1460090000 |
| VG M50 EXE MS | M 50 | 35-44 | 61.5 / 18 | 64 | 5 | 1460100000 |
| VG M63 EXE MS | M 63 | 46-56 | 69.5 / 18 | 80 | 5 | 1460110000 |

Note Installation specifications and tightening torques can be found in the installation instructions.
For further information please use our online catalogue: catalog.weidmueller.com.

Safeguard processes in potentially explosive atmospheres

Ex cable glands for safe devices as per EN 60079-0:2012 + A11 : 2013

The environmental conditions in many industry and explosion-proof applications pose a real challenge for the system components. Dust, vibrations, moisture and extreme temperatures all have an impact on the installed devices and the cable glands must also be able to withstand these stresses too.

Ex cable glands from Weidmüller guarantee process reliability in demanding environments. They are designed such that they can be used universally in any enclosure series. They are also just as easy to use in both high and low-temperature environments.

With impact resistance of 7 Joules, the explosion-proof polyamide cable glands offer extremely high levels of protection against external influences such as shocks or impacts. Together with their suitability for use in an extended temperature range and their proven conformity with current standards, these cable glands ensure safe and reliable functioning in a wide range of applications.

Your special advantages:

Impact and temperature resistant: The cable glands for use in areas at risk of explosion can withstand extreme temperature conditions. They are impact-resistant up to 7 Joules and can be used in any Weidmüller enclosures, guaranteeing versatile applicability with full standard conformity.



In process-intensive industries such as petrochemistry, energy production, machine construction, motor and drive technology and device components which are subjected to extremely high stresses. The cable glands can withstand even the harshest environmental conditions. Guarantee impact-resistance of up to 7 Joules over an extended temperature range.

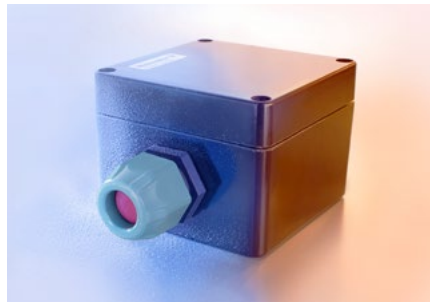
Flexible application

Available in 8 standard sizes from M12 to M63 (additional thread types on request) and with 14 different clamping ranges, the new range of cable glands is suitable for an extremely wide range of applications.



Resistant to high temperatures

The cable glands have an operating temperature range of -40 °C to +70 °C with a chloroprene seal, and a range of as wide as -60 °C to +70 °C with a silicone seal.



D



Extremely impact-resistant

With impact resistance of 7 Joules, the explosion-proof cable glands offer extremely high levels of protection against external influences such as shocks or impacts, in accordance with EN 60079-0:2012 + A11 : 2013.



Comprehensive approvals

Whether for Ex e or Ex i applications: The plastic cable glands comply consistently with EN 60079-0:2012 + A11 : 2013 and are approved in accordance with ATEX, IECEx, EAC, and DNV GL.

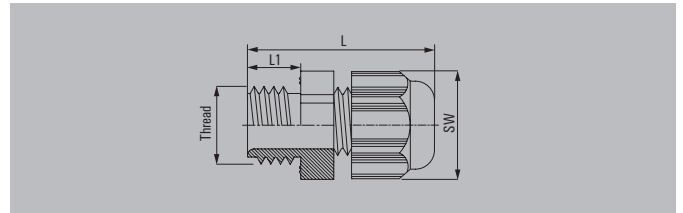


Ex-cable glands - Plastic

Ex cable glands - Plastic - Ex e, Ex i, IP66 / IP68, 7J, -40°C - +70°C



Plastic cable gland for Ex applications with integrated strain relief, especially for Ex e and Ex i applications with chloroprene seal and 7 Joule impact resistance. Complete with integral membrane seal for clean transportation and storage.



Technical data

| | |
|-------------------|--|
| Material | Polyamide 6 |
| Temperature range | -40 °C...70 °C |
| Seal insert | CR |
| Protection class | IP54, IP66, IP67, IP68 - 5 bar (30 min.) |
| Impact resistance | 7 joules in acc. with IEC 60079-0 |
| Marking | Ex eb IIC Gb, Ex tb IIC Db IP66/68 |
| Note | Length "L" depends on the cable diameter used. |

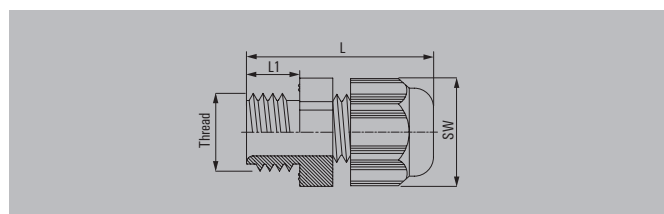
Ordering data

| Type | Thread | KB | L/L1 | SW | Qty. | Order No. |
|-------------------------------------|---|----------|--------------|-------|------|------------|
| Ex e, deep black | | | | | | |
| VG M12 EXE 4-6,5 CR7J G4 | M 12 | 4-6.5 mm | 22 / 10 mm | 15 mm | 100 | 2721930000 |
| VG M16 EXE 5-8 CR7J G4 | M 16 | 5-8 mm | 26 / 10 mm | 19 mm | 50 | 2721940000 |
| VG M16 EXE 6-10 CR7J G4 | M 16 | 6-10 mm | 29.5 / 10 mm | 22 mm | 50 | 2721950000 |
| VG M20 EXE 7-12 CR7J G4 | M 20 | 7-12 mm | 30 / 10 mm | 24 mm | 50 | 2721960000 |
| VG M20 EXE 7-13 CR7J G4 | M 20 | 7-13 mm | 33 / 10 mm | 25 mm | 50 | 2721970000 |
| VG M20 EXE 11-14 CR7J G4 | M 20 | 11-14 mm | 30 / 10 mm | 27 mm | 50 | 2721980000 |
| VG M25 EXE 12-17 CR7J G4 | M 25 | 12-17 mm | 34 / 10 mm | 29 mm | 50 | 2721990000 |
| VG M25 EXE 14-18 CR7J G4 | M 25 | 14-18 mm | 35 / 10 mm | 33 mm | 25 | 2722000000 |
| VG M32 EXE 16-21 CR7J G4 | M 32 | 16-21 mm | 42 / 10 mm | 36 mm | 25 | 2722010000 |
| VG M32 EXE 19-25 CR7J G4 | M 32 | 19-25 mm | 40.5 / 15 mm | 42 mm | 20 | 2722020000 |
| VG M40 EXE 20-28 CR7J G4 | M 40 | 20-28 mm | 46 / 10 mm | 46 mm | 15 | 2722030000 |
| VG M40 EXE 23-32 CR7J G4 | M 40 | 23-32 mm | 50 / 18 mm | 53 mm | 10 | 2722040000 |
| VG M50 EXE 31-38 CR7J G4 | M 50 | 31-38 mm | 54 / 18 mm | 60 mm | 10 | 2722050000 |
| VG M63 EXE 35-44 CR7J G4 | M 63 | 35-44 mm | 54 / 18 mm | 65 mm | 10 | 2722060000 |
| Ex i, light blue, deep black | | | | | | |
| VG M12 EXI 4-6,5 CR7J G4 | M 12 | 4-6.5 mm | 22 / 10 mm | 15 mm | 100 | 2722210000 |
| VG M16 EXI 5-8 CR7J G4 | M 16 | 5-8 mm | 26 / 10 mm | 19 mm | 50 | 2722220000 |
| VG M16 EXI 6-10 CR7J G4 | M 16 | 6-10 mm | 29.5 / 10 mm | 22 mm | 50 | 2722230000 |
| VG M20 EXI 7-12 CR7J G4 | M 20 | 7-12 mm | 30 / 10 mm | 24 mm | 50 | 2722240000 |
| VG M20 EXI 7-13 CR7J G4 | M 20 | 7-13 mm | 33 / 10 mm | 25 mm | 50 | 2722250000 |
| VG M20 EXI 11-14 CR7J G4 | M 20 | 11-14 mm | 30 / 10 mm | 27 mm | 50 | 2722260000 |
| VG M25 EXI 12-17 CR7J G4 | M 25 | 12-17 mm | 34 / 10 mm | 29 mm | 50 | 2722270000 |
| VG M25 EXI 14-18 CR7J G4 | M 25 | 14-18 mm | 35 / 10 mm | 33 mm | 25 | 2722280000 |
| VG M32 EXI 16-21 CR7J G4 | M 32 | 16-21 mm | 42 / 10 mm | 36 mm | 25 | 2722290000 |
| VG M32 EXI 19-25 CR7J G4 | M 32 | 19-25 mm | 40.5 / 15 mm | 42 mm | 20 | 2722300000 |
| VG M40 EXI 20-28 CR7J G4 | M 40 | 20-28 mm | 46 / 10 mm | 46 mm | 15 | 2722310000 |
| VG M40 EXI 23-32 CR7J G4 | M 40 | 23-32 mm | 50 / 18 mm | 53 mm | 10 | 2722320000 |
| VG M50 EXI 31-38 CR7J G4 | M 50 | 31-38 mm | 54 / 18 mm | 60 mm | 10 | 2722330000 |
| VG M63 EXI 35-44 CR7J G4 | M 63 | 35-44 mm | 54 / 18 mm | 65 mm | 10 | 2722340000 |
| Note | Installation specifications and tightening torques can be found in the installation instructions. For further information please use our online catalogue: catalog.weidmueller.com | | | | | |

Ex cable glands – Plastic – Ex e, Ex i, IP66 / IP68, 7J, -60°C – +70°C



Plastic cable gland for Ex applications with integrated strain relief, especially for Ex e and Ex i applications with silicone seal and 7 Joule impact resistance. Complete with integral membrane seal for clean transportation and storage.



Technical data

| | |
|-------------------|--|
| Material | Polyamide 6 |
| Temperature range | -60 °C...70 °C |
| Seal insert | Silicone |
| Protection class | IP54, IP66, IP67, IP68 - 5 bar (30 min.) |
| Impact resistance | 7 joules in acc. with IEC 60079-0 |
| Marking | Ex eb IIC Gb, Ex tb IIC Db IP66/68 |
| Note | Length "L" depends on the cable diameter used. |

Ordering data

| Type | Thread | KB | L/L1 | SW | Qty. | Order No. |
|-------------------------------------|--------|----------|--------------|-------|------|------------|
| Ex e, deep black | | | | | | |
| VG M12 EXE 4-6,5 SI7J G4 | M 12 | 4-6.5 mm | 22 / 10 mm | 15 mm | 100 | 2722070000 |
| VG M16 EXE 5-8 SI7J G4 | M 16 | 5-8 mm | 26 / 10 mm | 19 mm | 50 | 2722080000 |
| VG M16 EXE 6-10 SI7J G4 | M 16 | 6-10 mm | 29.5 / 10 mm | 22 mm | 50 | 2722090000 |
| VG M20 EXE 7-12 SI7J G4 | M 20 | 7-12 mm | 30 / 10 mm | 24 mm | 50 | 2722100000 |
| VG M20 EXE 7-13 SI7J G4 | M 20 | 7-13 mm | 33 / 10 mm | 25 mm | 50 | 2722110000 |
| VG M20 EXE 11-14 SI7J G4 | M 20 | 11-14 mm | 30 / 10 mm | 27 mm | 50 | 2722120000 |
| VG M25 EXE 12-17 SI7J G4 | M 25 | 12-17 mm | 34 / 10 mm | 29 mm | 50 | 2722130000 |
| VG M25 EXE 14-18 SI7J G4 | M 25 | 14-18 mm | 35 / 10 mm | 33 mm | 25 | 2722140000 |
| VG M32 EXE 16-21 SI7J G4 | M 32 | 16-21 mm | 42 / 10 mm | 36 mm | 25 | 2722150000 |
| VG M32 EXE 19-25 SI7J G4 | M 32 | 19-25 mm | 40.5 / 15 mm | 42 mm | 20 | 2722160000 |
| VG M40 EXE 20-28 SI7J G4 | M 40 | 20-28 mm | 46 / 10 mm | 46 mm | 15 | 2722170000 |
| VG M40 EXE 23-32 SI7J G4 | M 40 | 23-32 mm | 50 / 18 mm | 53 mm | 10 | 2722180000 |
| VG M50 EXE 31-38 SI7J G4 | M 50 | 31-38 mm | 54 / 18 mm | 60 mm | 10 | 2722190000 |
| VG M63 EXE 35-44 SI7J G4 | M 63 | 35-44 mm | 54 / 18 mm | 65 mm | 10 | 2722200000 |
| Ex i, light blue, deep black | | | | | | |
| VG M12 EXI 4-6,5 SI7J G4 | M 12 | 4-6.5 mm | 22 / 10 mm | 15 mm | 100 | 2722350000 |
| VG M16 EXI 5-8 SI7J G4 | M 16 | 5-8 mm | 26 / 10 mm | 19 mm | 50 | 2722360000 |
| VG M16 EXI 6-10 SI7J G4 | M 16 | 6-10 mm | 29.5 / 10 mm | 22 mm | 50 | 2722370000 |
| VG M20 EXI 7-12 SI7J G4 | M 20 | 7-12 mm | 30 / 10 mm | 24 mm | 50 | 2722380000 |
| VG M20 EXI 7-13 SI7J G4 | M 20 | 7-13 mm | 33 / 10 mm | 25 mm | 50 | 2722390000 |
| VG M20 EXI 11-14 SI7J G4 | M 20 | 11-14 mm | 30 / 10 mm | 27 mm | 50 | 2722400000 |
| VG M25 EXI 12-17 SI7J G4 | M 25 | 12-17 mm | 34 / 10 mm | 29 mm | 50 | 2722410000 |
| VG M25 EXI 14-18 SI7J G4 | M 25 | 14-18 mm | 35 / 10 mm | 33 mm | 25 | 2722420000 |
| VG M32 EXI 16-21 SI7J G4 | M 32 | 16-21 mm | 42 / 10 mm | 36 mm | 25 | 2722430000 |
| VG M32 EXI 19-25 SI7J G4 | M 32 | 19-25 mm | 40.5 / 15 mm | 42 mm | 20 | 2722440000 |
| VG M40 EXI 20-28 SI7J G4 | M 40 | 20-28 mm | 46 / 10 mm | 46 mm | 15 | 2722450000 |
| VG M40 EXI 23-32 SI7J G4 | M 40 | 23-32 mm | 50 / 18 mm | 53 mm | 10 | 2722460000 |
| VG M50 EXI 31-38 SI7J G4 | M 50 | 31-38 mm | 54 / 18 mm | 60 mm | 10 | 2722470000 |
| VG M63 EXI 35-44 SI7J G4 | M 63 | 35-44 mm | 54 / 18 mm | 65 mm | 10 | 2722480000 |

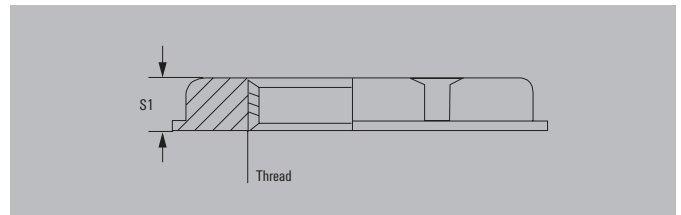
Note Installation specifications and tightening torques can be found in the installation instructions. For further information please use our online catalogue: catalog.weidmuller.com

Accessories – Lock nuts

Lock nuts – Plastic 7035



For fastening cable glands and accessories if no threaded hole is available. With circumferential collar to prevent damage to the substrate during installation.



Technical data

| | |
|---------------------|---|
| Material / Colour | Polyamid 6 (PA6 - GF30) / Light Grey / RAL 7035 |
| Temperature range | -40 °C...100 °C |
| Flammability rating | V-2 |
| Note | |

Ordering data

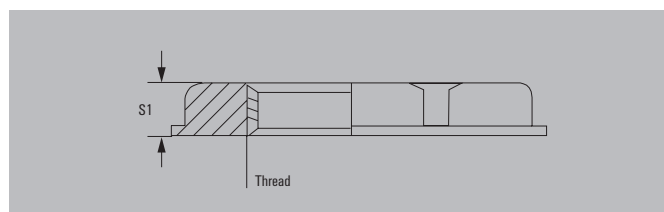
| Type | Thread | S1 | SW | Qty. | Order No. |
|-------------------|---------|------|----|------|------------|
| metric | | | | | |
| SKMU M12 - K GR | M 12 | 5.00 | 18 | 100 | 1772440000 |
| SKMU M16 - K GR | M 16 | 5.00 | 22 | 100 | 1772450000 |
| SKMU M20 - K GR | M 20 | 6.00 | 26 | 100 | 1772460000 |
| SKMU M25 - K GR | M 25 | 6.00 | 32 | 100 | 1772470000 |
| SKMU M32 - K GR | M 32 | 7.00 | 41 | 100 | 1772480000 |
| SKMU M40 - K GR | M 40 | 7.00 | 50 | 50 | 1772490000 |
| SKMU M50 - K GR | M 50 | 8.00 | 60 | 10 | 1772500000 |
| SKMU M63 - K GR | M 63 | 8.00 | 75 | 10 | 1772510000 |
| PG | | | | | |
| SKMU PG7-K GR | PG 7 | 5.00 | 19 | 100 | 1697440000 |
| SKMU PG9-K GR | PG 9 | 5.00 | 22 | 100 | 1697450000 |
| SKMU PG11-K GR | PG 11 | 5.00 | 24 | 100 | 1697460000 |
| SKMU PG 13,5-K GR | PG 13.5 | 6.00 | 27 | 100 | 1697470000 |
| SKMU PG16-K GR | PG 16 | 6.00 | 30 | 100 | 1697480000 |
| SKMU PG21-K GR | PG 21 | 7.00 | 36 | 100 | 1698220000 |
| SKMU PG29-K GR | PG 29 | 7.00 | 46 | 50 | 1698230000 |
| SKMU PG36-K GR | PG 36 | 8.00 | 60 | 25 | 1698240000 |
| SKMU PG42-K GR | PG 42 | 8.00 | 65 | 25 | 1698250000 |
| SKMU PG48-K GR | PG 48 | 8.00 | 70 | 25 | 1719090000 |

Note Further versions on request.

Lock nuts – Plastic 9005



Lock nuts with collar for preventing enclosure damage on installation. These are used to secure plastic cable glands and blanking plugs - recommended for Ex e and Ex i plastic cable glands.



Technical data

| | |
|---------------------|--|
| Material / Colour | Polyamid 6 (PA6 - GF30) / Deep black / RAL 9005 |
| Temperature range | -40 °C...100 °C |
| Flammability rating | V-2 |
| Note | Accessories for Ex cable glands are not subject to approval. |

Ordering data

| Type | Thread | S1 | SW | Qty. | Order No. |
|------------------|---------|------|----|------|------------|
| metric | | | | | |
| SKMU M12 K SW | M 12 | 5.00 | 18 | 100 | 1806540000 |
| SKMU M16 K SW | M 16 | 5.00 | 22 | 100 | 1736920000 |
| SKMU M20 K SW | M 20 | 6.00 | 26 | 100 | 1736930000 |
| SKMU M25 K SW | M 25 | 6.00 | 32 | 25 | 1736940000 |
| SKMU M32 K SW | M 32 | 7.00 | 41 | 100 | 1736950000 |
| SKMU M40 K SW | M 40 | 7.00 | 50 | 10 | 1736960000 |
| SKMU M50 K SW | M 50 | 8.00 | 60 | 5 | 1736970000 |
| SKMU M63 K SW | M 63 | 8.00 | 75 | 5 | 1736980000 |
| PG | | | | | |
| SKMU PG7-K SW | PG 7 | 5.00 | 19 | 100 | 1719100000 |
| SKMU PG9-K SW | PG 9 | 5.00 | 22 | 50 | 1719110000 |
| SKMU PG11-K SW | PG 11 | 5.00 | 24 | 50 | 1719120000 |
| SKMU PG13,5-K SW | PG 13.5 | 6.00 | 27 | 50 | 1719130000 |
| SKMU PG16-K SW | PG 16 | 6.00 | 30 | 100 | 1719140000 |
| SKMU PG21-K SW | PG 21 | 7.00 | 36 | 100 | 1719150000 |
| SKMU PG29-K SW | PG 29 | 7.00 | 46 | 20 | 1719160000 |
| SKMU PG36-K SW | PG 36 | 8.00 | 60 | 10 | 1719170000 |
| SKMU PG42-K SW | PG 42 | 8.00 | 65 | 25 | 1719180000 |
| SKMU PG48-K SW | PG 48 | 8.00 | 70 | 25 | 1719190000 |

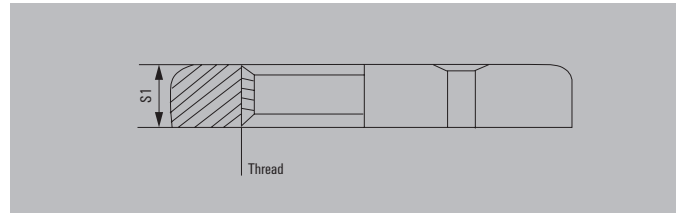
Note Further versions on request.

Accessories – Lock nuts

Lock nuts – Brass – nickel-plated



For fastening cable glands and accessories if no threaded hole is available. Recommended when working with Ex applications.



Technical data

Material Brass, nickel-plated

Note

Ordering data

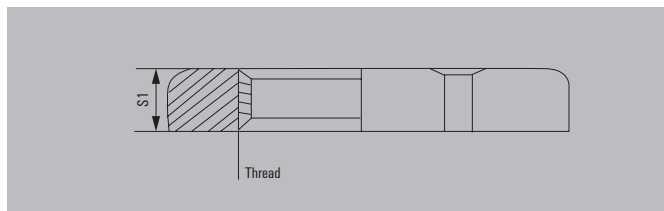
| Type | Thread | S1 | SW | Qty. | Order No. |
|----------------|---------|-----|----|------|------------|
| metric | | | | | |
| SKMU M12 MS | M 12 | 2.8 | 14 | 100 | 1772360000 |
| SKMU M16 MS | M 16 | 2.8 | 19 | 100 | 1736990000 |
| SKMU M20 MS | M 20 | 3 | 24 | 100 | 1737000000 |
| SKMU M25 MS | M 25 | 3 | 28 | 100 | 1737010000 |
| SKMU M32 MS | M 32 | 4 | 36 | 100 | 1737020000 |
| SKMU M40 MS | M 40 | 4.5 | 44 | 50 | 1737030000 |
| SKMU M50 MS | M 50 | 5 | 54 | 25 | 1737040000 |
| SKMU M63 MS | M 63 | 6 | 70 | 25 | 1737050000 |
| SKMU M75 MS | M 75 | 8 | 85 | 5 | 1737060000 |
| PG | | | | | |
| SKMU PG7-MS | PG 7 | 2.8 | 15 | 100 | 1694070000 |
| SKMU PG9-MS | PG 9 | 2.8 | 18 | 100 | 1694080000 |
| SKMU PG11-MS | PG 11 | 3 | 21 | 100 | 1694090000 |
| SKMU PG13,5-MS | PG 13.5 | 3 | 23 | 100 | 1694100000 |
| SKMU PG16-MS | PG 16 | 3 | 26 | 100 | 1694110000 |
| SKMU PG21-MS | PG 21 | 3.5 | 32 | 100 | 1719200000 |
| SKMU PG29-MS | PG 29 | 4 | 41 | 50 | 1719210000 |
| SKMU PG36-MS | PG 36 | 5 | 51 | 50 | 1719220000 |
| SKMU PG42-MS | PG 42 | 5 | 60 | 25 | 1719230000 |
| SKMU PG48-MS | PG 48 | 5.5 | 64 | 10 | 1719240000 |

Note Further versions on request.

Lock nuts – Brass – natural



For fastening cable glands and accessories if no threaded hole is available. Recommended when working with Ex applications.



Technical data

| | |
|----------|-------|
| Material | Brass |
| Note | |

Ordering data

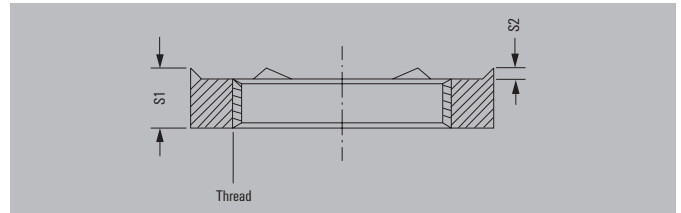
| Type | Thread | S1 | SW | Qty. | Order No. |
|----------------|--------|-----|----|------|------------|
| metric | | | | | |
| SKMU M16 MS SC | M 16 | 4 | 22 | 50 | 0930640001 |
| SKMU M20 MS SC | M 20 | 4 | 24 | 50 | 0930640002 |
| SKMU M25 MS SC | M 25 | 4 | 30 | 25 | 0930640003 |
| SKMU M32 MS SC | M 32 | 4 | 40 | 20 | 0930640004 |
| SKMU M40 MS SC | M 40 | 4.5 | 50 | 10 | 0930640005 |
| SKMU M50 MS SC | M 50 | 5 | 65 | 5 | 0930640006 |
| SKMU M63 MS SC | M 63 | 6.5 | 75 | 5 | 0930640007 |
| SKMU M75 MS SC | M 75 | 7 | 90 | 5 | 0930640008 |
| Note | | | | | |

Accessories – Lock nuts

Lock nuts – Brass – EMC



For fastening cable glands and accessories if no threaded hole is available. Specially equipped with 6 edges which contact the enclosure when the lock nut is tightened.



Technical data

Material Brass, nickel-plated

Note

Ordering data

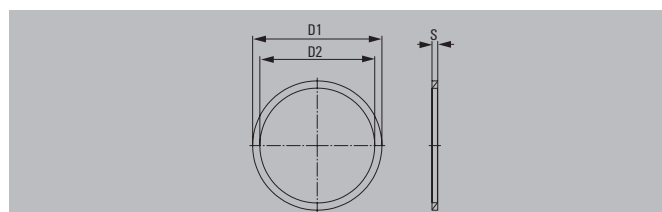
| Type | Thread | S1 | SW | Qty. | Order No. |
|-----------------|---------|-----|----|------|------------|
| metric | | | | | |
| SKMU EMV M12 | M 12 | 3.6 | 15 | 100 | 1777610000 |
| SKMU EMV M16 | M 16 | 3.6 | 19 | 100 | 1777620000 |
| SKMU EMV M20 | M 20 | 3.6 | 24 | 100 | 1777630000 |
| SKMU EMV M25 | M 25 | 3.6 | 30 | 50 | 1777640000 |
| SKMU EMV M32 | M 32 | 4.1 | 36 | 50 | 1777650000 |
| SKMU EMV M40 | M 40 | 4.6 | 46 | 10 | 1777660000 |
| SKMU EMV M50 | M 50 | 4.6 | 60 | 10 | 1777670000 |
| SKMU EMV M63 | M 63 | 6.6 | 70 | 10 | 1777680000 |
| PG | | | | | |
| SKMU EMV PG7 | PG 7 | 4.7 | 15 | 20 | 1718900000 |
| SKMU EMV PG9 | PG 9 | 4.7 | 18 | 20 | 1718910000 |
| SKMU EMV PG11 | PG 11 | 4.7 | 21 | 20 | 1718920000 |
| SKMU EMV PG13,5 | PG 13,5 | 4.7 | 23 | 10 | 1718930000 |
| SKMU EMV PG16 | PG 16 | 4.7 | 26 | 10 | 1718940000 |
| SKMU EMV PG21 | PG 21 | 5.2 | 32 | 10 | 1718950000 |
| SKMU EMV PG29 | PG 29 | 5.7 | 41 | 15 | 1718960000 |
| SKMU EMV PG 36 | PG 36 | 4.6 | 51 | 1 | 1777710000 |
| SKMU EMV PG 42 | PG 42 | 4.6 | 58 | 1 | 1777700000 |
| SKMU EMV PG 48 | PG 48 | 5.6 | 64 | 1 | 1777690000 |

Note Further versions on request.

Flat IP washer – Standard – Polyethylene



For better sealing of the connection thread of a cable gland or accessory.



Technical data

| | |
|-------------------|----------------------------|
| Material / Colour | Polyethylene / Transparent |
| Temperature range | -30 °C...90 °C |
| Note | |

Ordering data

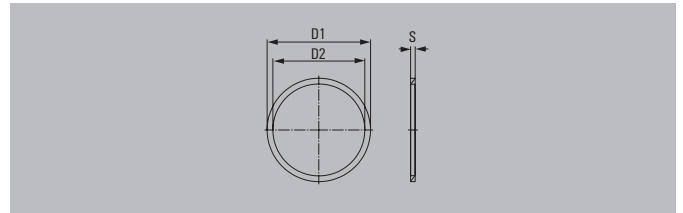
| Type | Thread | D1 | D2 | S | Qty. | Order No. |
|----------------|---------|-------|-------|------|------|------------|
| metric | | | | | | |
| GWDR M12-PO | M 12 | 16.00 | 12.00 | 2.00 | 50 | 1777920000 |
| GWDR M16-PO | M 16 | 20.00 | 16.00 | 2.00 | 50 | 1777930000 |
| GWDR M20-PO | M 20 | 24.00 | 20.00 | 2.00 | 100 | 1777940000 |
| GWDR M25-PO | M 25 | 29.00 | 25.00 | 2.00 | 50 | 1777950000 |
| GWDR M32-PO | M 32 | 36.00 | 32.00 | 2.00 | 50 | 1777960000 |
| GWDR M40-PO | M 40 | 45.00 | 40.00 | 2.00 | 50 | 1777970000 |
| GWDR M50-PO | M 50 | 56.00 | 50.00 | 2.00 | 50 | 1777980000 |
| GWDR M63-PO | M 63 | 70.00 | 63.00 | 2.00 | 50 | 1777990000 |
| PG | | | | | | |
| GWDR PG7-PO | PG 7 | 16.50 | 12.50 | 2.00 | 100 | 1719440000 |
| GWDR PG9-PO | PG 9 | 19.00 | 15.20 | 2.00 | 100 | 1719450000 |
| GWDR PG11-PO | PG 11 | 22.50 | 18.60 | 2.00 | 100 | 1719460000 |
| GWDR PG13,5-PO | PG 13.5 | 25.00 | 20.40 | 2.00 | 100 | 1719470000 |
| GWDR PG16-PO | PG 16 | 27.00 | 22.50 | 2.00 | 100 | 1719480000 |
| GWDR PG21-PO | PG 21 | 33.50 | 28.30 | 3.00 | 100 | 1719490000 |
| GWDR PG29-PO | PG 29 | 43.50 | 37.00 | 3.00 | 50 | 1719500000 |
| GWDR PG36-PO | PG 36 | 55.00 | 47.00 | 3.00 | 50 | 1719510000 |
| GWDR PG42-PO | PG 42 | 63.00 | 54.00 | 3.00 | 10 | 1719520000 |
| GWDR PG48-PO | PG 48 | 69.00 | 59.30 | 3.00 | 5 | 1719530000 |

Note Further versions on request.

Flat IP washer – Standard – Neoprene



For better sealing of the connection thread of a cable gland or accessory.



Technical data

| | |
|-------------------|----------------------------------|
| Material / Colour | Neoprene / Deep black / RAL 9005 |
| Temperature range | -40 °C...100 °C |
| Note | |

Ordering data

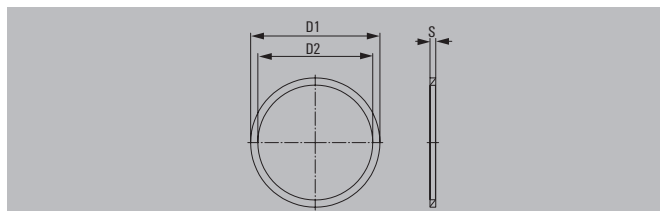
| Type | Thread | D1 | D2 | S | Qty. | Order No. |
|----------------|---------|-------|-------|------|------|------------|
| metric | | | | | | |
| GWDR M12-NP | M 12 | 18.00 | 12.00 | 1.20 | 50 | 1913320000 |
| GWDR M16-NP | M 16 | 22.00 | 16.00 | 1.20 | 50 | 1736230000 |
| GWDR M20-NP | M 20 | 24.00 | 20.00 | 1.20 | 50 | 1736240000 |
| GWDR M25-NP | M 25 | 30.00 | 25.00 | 1.50 | 100 | 1736250000 |
| GWDR M32-NP | M 32 | 42.00 | 32.00 | 1.50 | 50 | 1736260000 |
| GWDR M40-NP | M 40 | 52.00 | 40.00 | 1.50 | 20 | 1736270000 |
| GWDR M50-NP | M 50 | 63.00 | 50.00 | 1.50 | 20 | 1736280000 |
| GWDR M63-NP | M 63 | 77.00 | 63.00 | 2.00 | 10 | 1736290000 |
| PG | | | | | | |
| GWDR PG7-NP | PG 7 | 17.00 | 11.60 | 1.20 | 100 | 1719540000 |
| GWDR PG9-NP | PG 9 | 21.00 | 14.00 | 1.20 | 100 | 1719550000 |
| GWDR PG11-NP | PG 11 | 24.00 | 17.00 | 1.20 | 100 | 1719560000 |
| GWDR PG13,5-NP | PG 13.5 | 27.00 | 19.50 | 1.20 | 100 | 1719570000 |
| GWDR PG16-NP | PG 16 | 30.00 | 22.50 | 1.20 | 100 | 1719580000 |
| GWDR PG21-NP | PG 21 | 35.00 | 28.30 | 1.50 | 100 | 1719590000 |
| GWDR PG29-NP | PG 29 | 45.00 | 37.00 | 1.50 | 50 | 1719600000 |
| GWDR PG36-NP | PG 36 | 60.00 | 47.00 | 1.50 | 20 | 1719610000 |
| GWDR PG42-NP | PG 42 | 65.00 | 54.00 | 1.50 | 10 | 1719620000 |
| GWDR PG48-NP | PG 48 | 71.00 | 59.30 | 1.50 | 5 | 1719630000 |

| | |
|-------------|------------------------------|
| Note | Further versions on request. |
|-------------|------------------------------|

Flat IP washer – Standard – Nylon



For better sealing of the connection thread of a cable gland or accessory.



Technical data

| | |
|-------------------|----------------------------------|
| Material / Colour | Nylon 6 / traffic red / RAL 3020 |
| Temperature range | -40 °C...135 °C |
| Note | |

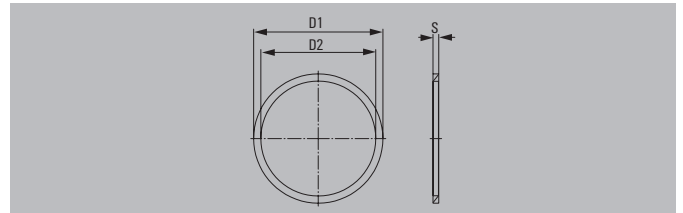
Ordering data

| Type | Thread | D1 | D2 | S | Qty. | Order No. |
|---------------|--------|-------|-------|------|------|------------|
| metric | | | | | | |
| KSWN M16 | M 16 | 25.00 | 16.50 | 2.00 | 25 | 1076630000 |
| KSWN M20 | M 20 | 29.40 | 20.70 | 2.00 | 25 | 0930730002 |
| KSWN M25 | M 25 | 38.10 | 25.70 | 2.00 | 25 | 1076640000 |
| KSWN M32 | M 32 | 42.50 | 32.50 | 2.00 | 25 | 1076650000 |
| KSWN M40 | M 40 | 52.00 | 40.50 | 2.00 | 25 | 0899780000 |
| KSWN M50 | M 50 | 65.00 | 50.50 | 2.00 | 25 | 0900660000 |
| KSWN M63 | M 63 | 79.40 | 63.50 | 2.00 | 25 | 1076660000 |
| KSWN M75 | M 75 | 90.50 | 75.50 | 2.00 | 25 | 1076670000 |
| Note | | | | | | |

Flat IP washer - Standard - Vulcanised fibre



For better sealing of the connection thread of a cable gland or accessory.



Technical data

| | |
|-------------------|---|
| Material / Colour | Vulcanized fibre / brown-red / RAL 3011 |
| Temperature range | -40 °C...95 °C |
| Note | |

Ordering data

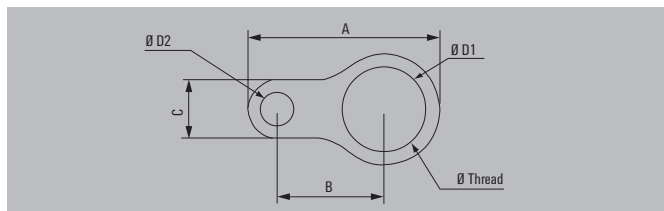
| Type | Thread | D1 | D2 | S | Qty. | Order No. |
|---------------|--------|-------|-------|------|------|------------|
| metric | | | | | | |
| KSWF M16 | M 16 | 25.00 | 16.50 | 1.50 | 25 | 1076680000 |
| KSWF M20 | M 20 | 29.40 | 20.70 | 1.50 | 25 | 0899750000 |
| KSWF M25 | M 25 | 38.10 | 25.70 | 1.50 | 25 | 0899770000 |
| KSWF M32 | M 32 | 42.50 | 32.50 | 1.50 | 25 | 1076690000 |
| KSWF M40 | M 40 | 52.00 | 40.50 | 1.50 | 25 | 1076710000 |
| KSWF M50 | M 50 | 65.00 | 50.50 | 1.50 | 25 | 1076720000 |
| KSWF M63 | M 63 | 79.40 | 63.50 | 1.50 | 25 | 1076730000 |
| KSWF M75 | M 75 | 90.50 | 75.50 | 1.50 | 25 | 1076740000 |

| | |
|-------------|--|
| Note | |
|-------------|--|

Accessories – Earth tags – Brass



Earth tags are best used when a cable shielding is being tightened onto the cable gland, and when it has the same potential as another cable gland on the enclosure.



Technical data

| | |
|----------|----------------------|
| Material | Brass, nickel-plated |
| Note | |

Ordering data

| Type | Thread | A | B | C | D1 | D2 | Qty. | Order No. |
|------------------------------------|--------|-------|-------|-------|------|-------|------|------------|
| metric, nickel-plated brass | | | | | | | | |
| EA-RING MS/M 16 | M 16 | 48.75 | 30.00 | 13.00 | 24.5 | 6.75 | 20 | 1736480000 |
| EA-RING MS/M 20 | M 20 | 53.8 | 33.00 | 13.00 | 28.6 | 7.00 | 20 | 1736490000 |
| EA-RING MS/M 25 | M 25 | 61.5 | 36.00 | 17.00 | 34 | 10.50 | 20 | 1736500000 |
| EA-RING MS/M 32 | M 32 | 73 | 41.00 | 22.00 | 42 | 12.20 | 20 | 1736510000 |
| EA-RING MS/M 40 | M 40 | 86.5 | 44.50 | 30.00 | 54 | 13.50 | 10 | 1736520000 |
| EA-RING MS/M 50 | M 50 | 111.5 | 58.00 | 40.00 | 67 | 13.50 | 10 | 1736530000 |
| EA-RING MS/M 63 | M 63 | 125.5 | 67.00 | 40.00 | 77 | 13.50 | 10 | 1736540000 |
| EA-RING MS/M 75 | M 75 | 137.5 | 73.00 | 40.00 | 89 | 13.50 | 10 | 1736550000 |
| metric, brass natural | | | | | | | | |
| EA-RING MS/M16 SC | M 16 | 50.8 | 31.80 | 12.80 | 25.4 | 6.90 | 20 | 0930710001 |
| EA-RING MS/M20 SC | M 20 | 54 | 33.00 | 12.80 | 28.6 | 6.90 | 20 | 0930710002 |
| EA-RING MS/M25 SC | M 25 | 60.2 | 36.50 | 12.80 | 34.8 | 6.90 | 20 | 0930710003 |
| EA-RING MS/M32 SC | M 32 | 74.6 | 42.50 | 22.30 | 44.6 | 11.80 | 20 | 0930710004 |
| EA-RING MS/M40 SC | M 40 | 86.7 | 45.40 | 31.70 | 53 | 13.50 | 10 | 0930710005 |
| EA-RING MS/M50 SC | M 50 | 111 | 58.10 | 41.30 | 65.2 | 13.50 | 10 | 0930710006 |
| EA-RING MS/M63 SC | M 63 | 128.7 | 66.80 | 41.30 | 82.6 | 13.50 | 10 | 0930710007 |
| EA-RING MS/M75 SC | M 75 | 141.3 | 73.00 | 41.30 | 95.3 | 13.50 | 10 | 0930710008 |

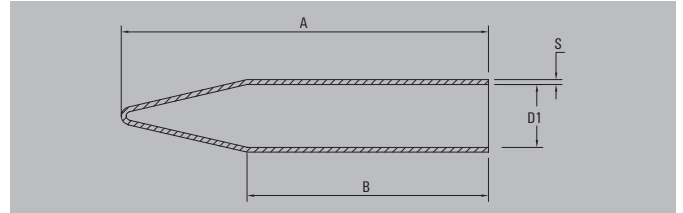
| | |
|------|------------------------------|
| Note | Further versions on request. |
|------|------------------------------|

Accessories – Shrouds

Accessories – Shrouds – Silicone



The cover shroud a cable gland before and after the installation. It also protects against external environmental influences.



Technical data

| | |
|-------------------|---------------------------------|
| Material / Colour | Silicone / blue-grey / RAL 7031 |
| Temperature range | -60 °C...200 °C |
| Hardness (IRHD) | 60 |

Note

Ordering data

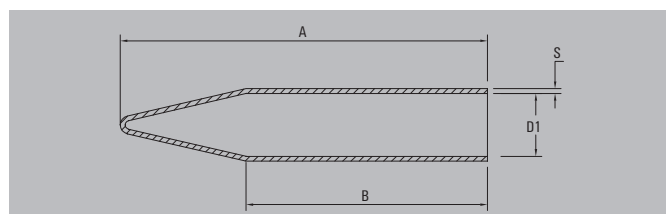
| Type | A | B | D1 | D2 | S | Qty. | Order No. |
|---------------|-----|--------|--------|-----|------|------|------------|
| metric | | | | | | | |
| KSP L24 S | 123 | 70.00 | 25.00 | 28 | 1.50 | 10 | 0930700001 |
| KSP L30 S | 130 | 75.00 | 30.00 | 33 | 1.50 | 10 | 0930700002 |
| KSP L38 S | 130 | 75.00 | 37.00 | 40 | 1.50 | 10 | 0930700003 |
| KSP L46 S | 130 | 75.00 | 46.00 | 49 | 1.50 | 10 | 0930700004 |
| KSP L55 S | 150 | 85.00 | 55.00 | 58 | 1.50 | 10 | 0930700005 |
| KSP L65 S | 150 | 85.00 | 65.00 | 68 | 1.50 | 10 | 0930700006 |
| KSP L80 S | 150 | 85.00 | 80.00 | 84 | 2.00 | 10 | 0930700007 |
| KSP L90 S | 165 | 95.00 | 90.00 | 94 | 2.00 | 10 | 0930700008 |
| KSP L 104 S | 210 | 120.00 | 104.00 | 108 | 2.00 | 10 | 1193940000 |
| KSP L114 S | 210 | 120.00 | 114.00 | 118 | 2.00 | 10 | 1192790000 |

Note

Accessories – Shrouds – PVC



The cover shroud a cable gland before and after the installation. It also protects against external environmental influences.



Technical data

| | |
|--------------------|-----------------------------|
| Material / Colour | PVC / Deep black / RAL 9005 |
| Temperature range | -25 °C...70 °C |
| Hardness (Shore A) | 65 |
| Note | |

Ordering data

| Type | A | B | D1 | D2 | S | Qty. | Order No. |
|---------------|-----|--------|-------|----|------|------|------------|
| metric | | | | | | | |
| KSP L24 | 123 | 70.00 | 25.00 | 29 | 2.00 | 10 | 1736570000 |
| KSP L30 | 130 | 75.00 | 30.00 | 34 | 2.00 | 10 | 1736580000 |
| KSP L38 | 130 | 75.00 | 37.00 | 41 | 2.00 | 10 | 1736590000 |
| KSP L46 | 130 | 75.00 | 46.00 | 50 | 2.00 | 10 | 1736600000 |
| KSP L55 | 150 | 85.00 | 55.00 | 59 | 2.00 | 10 | 1736610000 |
| KSP L65 | 150 | 85.00 | 65.00 | 69 | 2.00 | 10 | 1736620000 |
| KSP L80 | 150 | 85.00 | 80.00 | 84 | 2.00 | 10 | 1736630000 |
| KSP L90 | 165 | 95.00 | 90.00 | 94 | 2.00 | 10 | 1736640000 |
| KSP EL30 | 130 | 80.00 | 30.00 | 34 | 2.00 | 10 | 1736670000 |
| KSP EL38 | 175 | 95.00 | 37.00 | 41 | 2.00 | 10 | 1736680000 |
| KSP EL46 | 205 | 105.00 | 46.00 | 50 | 2.00 | 10 | 1076750000 |
| KSP EL55 | 220 | 115.00 | 55.00 | 59 | 2.00 | 10 | 1076760000 |
| KSP EL65 | 265 | 125.00 | 65.00 | 69 | 2.00 | 10 | 1076770000 |
| KSP EL80 | 280 | 130.00 | 80.00 | 84 | 2.00 | 10 | 1076780000 |
| KSP EL90 | 280 | 140.00 | 90.00 | 94 | 2.00 | 10 | 1076790000 |

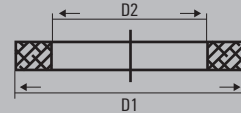
Note *These shrouds have been specially designed for the Klippon® KDSU and Klippon® KUB cable glands.

Accessories - Washers

Accessories - Serrated washers, Stainless steel



Serrated stainless-steel washers to prevent mounted cable glands from loosening. Can also be used to roughen painted or passivated surfaces.



D

Technical data

| | |
|----------|-------------------------------|
| Material | Stainless steel 1.4404 (316L) |
| Note | |

Ordering data

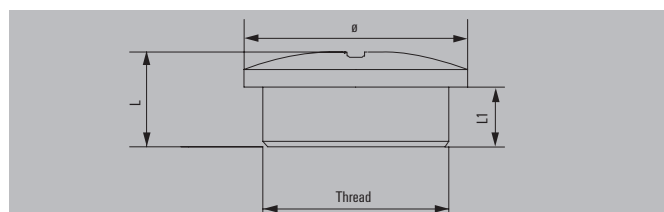
| Type metric | Thread | D1 | D2 | Qty. | Order No. |
|----------------|--------|------|-------|------|------------|
| SZS M16 | M 16 | 25.5 | 17.30 | 50 | 1736300000 |
| SZS M20 | M 20 | 32.4 | 21.30 | 10 | 1736310000 |
| SZS M25 | M 25 | 37.4 | 25.30 | 10 | 1736320000 |
| SZS M32 | M 32 | 48 | 33.00 | 10 | 1736330000 |
| SZS M40 | M 40 | 60 | 41.00 | 5 | 1736340000 |
| SZS M50 | M 50 | 71 | 51.00 | 5 | 1736350000 |
| SZS M63 | M 63 | 87 | 64.00 | 5 | 1736360000 |

Note

Blanking plugs – Plastic



Plastic blanking plug with cross-head is used to seal surplus threaded holes and to maintain the IP protection degree.



Technical data

| | |
|---------------------|---|
| Material / Colour | Polyamid 6 (PA6 - GF30) / Light Grey / RAL 7035 |
| Temperature range | -40 °C...100 °C |
| Protection class | IP54 |
| Flammability rating | V-2 |
| Note | Optional sealing ring. |

Ordering data

| Type | Thread | L | L1 | Head Ø | Qty. | Order No. |
|---------------|---------|------|-----|--------|------|------------|
| metric | | | | | | |
| VP M12 K54 | M 12 | 5.5 | 6 | 15.00 | 100 | 1776930000 |
| VP M16 K54 | M 16 | 5.5 | 7 | 20.00 | 100 | 1776920000 |
| VP M20 K54 | M 20 | 6.5 | 7 | 24.00 | 100 | 1776910000 |
| VP M25 K54 | M 25 | 7 | 10 | 30.00 | 100 | 1776900000 |
| VP M32 K54 | M 32 | 7 | 11 | 37.00 | 50 | 1776940000 |
| VP M40 K54 | M 40 | 7 | 13 | 46.00 | 25 | 1776950000 |
| VP M50 K54 | M 50 | 8.5 | 14 | 56.00 | 10 | 1776960000 |
| VP M63 K54 | M 63 | 8.5 | 15 | 69.50 | 50 | 1776970000 |
| PG | | | | | | |
| VP 7-K54 | PG 7 | 8 | 6 | 15.00 | 100 | 1719250000 |
| VP 9-K54 | PG 9 | 9.5 | 5 | 19.00 | 100 | 0294760000 |
| VP 11-K54 | PG 11 | 10 | 6.5 | 22.00 | 100 | 0294860000 |
| VP 13,5-K54 | PG 13.5 | 10 | 5 | 25.00 | 100 | 0294960000 |
| VP 16-K54 | PG 16 | 10 | 5 | 27.00 | 100 | 0295060000 |
| VP 21-K54 | PG 21 | 12 | 8 | 33.00 | 50 | 0295160000 |
| VP 29-K54 | PG 29 | 11.5 | 8 | 44.00 | 25 | 0501160000 |
| VP 36-K54 | PG 36 | 14 | 10 | 55.00 | 10 | 0501260000 |
| VP 42-K54 | PG 42 | 14 | 10 | 62.00 | 5 | 0501360000 |
| VP 48-K54 | PG 48 | 16 | 12 | 69.00 | 5 | 1719260000 |

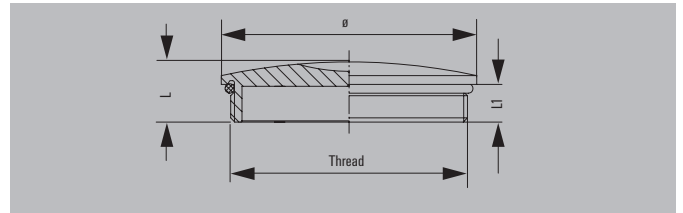
Note Other versions available on request. The blanking plugs must be tightened "hand-tight" with the screwdriver.

Blanking plugs

Blanking plugs – Brass – Nickel-plated



Brass blanking plug with cross-head is used to seal surplus threaded holes and to maintain the IP protection degree.



Technical data

| | |
|-------------------|------------------------|
| Material | Brass, nickel-plated |
| O-Ring | NBR |
| Temperature range | -40 °C...100 °C |
| Protection class | IP68 - 5 bar (30 min.) |

Note

Ordering data

| Type metric | Thread | L | L1 | Head Ø | Qty. | Order No. |
|--------------|---------|-----|----|--------|------|------------|
| VP M12-MS65 | M 12 | 7.5 | 5 | 14.00 | 100 | 1777720000 |
| VP M16-MS65 | M 16 | 8 | 5 | 18.00 | 100 | 1777730000 |
| VP M20-MS65 | M 20 | 9.5 | 6 | 22.00 | 100 | 1777740000 |
| VP M25-MS65 | M 25 | 11 | 7 | 28.00 | 100 | 1777750000 |
| VP M32-MS65 | M 32 | 12 | 8 | 35.00 | 50 | 1777760000 |
| VP M40-MS65 | M 40 | 13 | 8 | 44.00 | 50 | 1777770000 |
| VP M50-MS65 | M 50 | 15 | 9 | 54.00 | 25 | 1777780000 |
| VP M63-MS65 | M 63 | 16 | 10 | 67.00 | 10 | 1777790000 |
| PG | | | | | | |
| VP 7-MS65 | PG 7 | 7.5 | 5 | 15.00 | 100 | 0521600000 |
| VP 9-MS65 | PG 9 | 8 | 5 | 18.00 | 100 | 0294700000 |
| VP 11-MS65 | PG 11 | 8 | 5 | 22.00 | 100 | 0294800000 |
| VP 13,5-MS65 | PG 13,5 | 9 | 6 | 24.00 | 100 | 0294900000 |
| VP 16-MS65 | PG 16 | 9 | 6 | 26.00 | 100 | 0295000000 |
| VP 21-MS65 | PG 21 | 10 | 6 | 32.00 | 50 | 0295100000 |
| VP 29-MS65 | PG 29 | 12 | 8 | 40.00 | 50 | 0501100000 |
| VP 36-MS65 | PG 36 | 15 | 9 | 50.00 | 25 | 0501200000 |
| VP 42-MS65 | PG 42 | 16 | 10 | 57.00 | 25 | 0501300000 |
| VP 48-MS65 | PG 48 | 16 | 10 | 64.00 | 10 | 1719270000 |

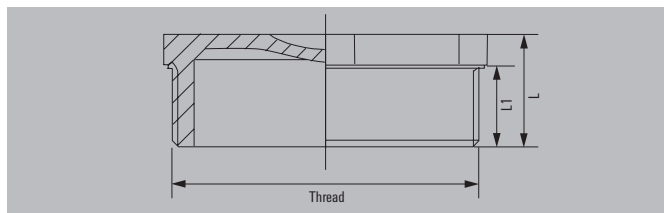
Note

Other versions available on request. The blanking plugs must be tightened "hand-tight" with the screwdriver.

Blanking plugs – Plastic – Ex e



Blanking plug with cross-head is used to seal surplus threaded holes and to maintain the IP protection degree – especially for Ex-e Ex applications.



Technical data

| | |
|-----------------------------|-----------------------------------|
| Material / Colour | Polyamide / Deep black / RAL 9005 |
| Temperature range | -20 °C...80 °C |
| Protection class | IP54, IP66 |
| Protection degree with GWDR | IP66, IP68 |
| UL 94 flammability rating | V-2 |
| Marking | Ex e II, Ex tD |
| Note | Optional sealing ring. |

Ordering data

| Type | Thread | L | L1 | SW | Qty. | Order No. |
|---------------|--------|------|----|----|------|------------|
| VP M16-EXE SW | M 16 | 19 | 15 | 19 | 100 | 1737070000 |
| VP M20-EXE SW | M 20 | 19 | 15 | 23 | 100 | 1737080000 |
| VP M25-EXE SW | M 25 | 20 | 15 | 28 | 100 | 1737090000 |
| VP M32-EXE SW | M 32 | 20.5 | 15 | 36 | 100 | 1737100000 |
| VP M40-EXE SW | M 40 | 20.5 | 15 | 44 | 20 | 1737110000 |
| VP M50-EXE SW | M 50 | 21 | 15 | 54 | 5 | 1737120000 |
| VP M63-EXE SW | M 63 | 23.5 | 15 | 67 | 5 | 1737130000 |

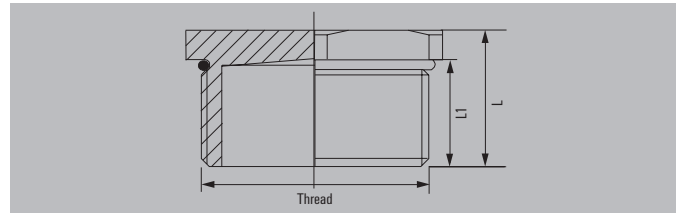
Note Installation specifications and tightening torques can be found in the installation instructions. For further information please use our online catalogue: catalog.weidmueller.com.

Ex-Blanking plugs

Blanking plugs – Brass – Ex e, Ex d



Blanking plug is used for sealing surplus threaded holes to ensure the IP protection degree - especially for Ex-e and Ex-d applications.



Technical data

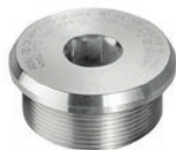
| | |
|-------------------|-----------------------------------|
| Material | Brass, nickel-plated |
| O-Ring | NBR |
| Temperature range | -40 °C...100 °C |
| Protection class | IP54, IP64, IP68 |
| Marking | II 2 GD, Ex d IIC, Ex e II, Ex tD |
| Note | |

Ordering data

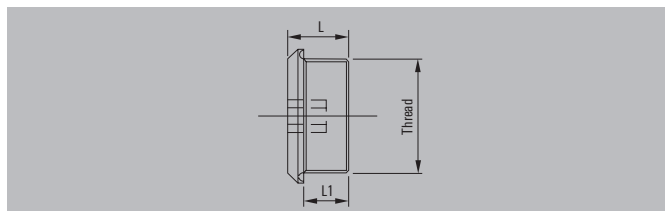
| Type metric | Thread | L | L1 | SW | Qty. | Order No. |
|----------------|--------|------|----|----|------|------------|
| VP M16 EXE MS | M 16 | 15 | 12 | 18 | 50 | 1210890000 |
| VP M20 EXE MS | M 20 | 15 | 12 | 23 | 50 | 1210900000 |
| VP M25 EXE MS | M 25 | 15.5 | 12 | 29 | 25 | 1210910000 |
| VP M32 EXE MS | M 32 | 16 | 12 | 39 | 10 | 1210920000 |
| VP M40 EXE MS | M 40 | 19 | 15 | 45 | 10 | 1210930000 |
| VP M50 EXE MS | M 50 | 20 | 15 | 58 | 5 | 1210940000 |
| VP M63 EXE MS | M 63 | 26 | 19 | 70 | 5 | 1210950000 |

Note Installation specifications and tightening torques can be found in the installation instructions.
For further information please use our online catalogue: catalog.weidmueller.com.

Blanking plugs – Brass and Stainless steel – Ex e, Ex d, IP66 / IP68



The KSPMH is a mushroom-shaped blanking plug with a hexagon socket. It is used to seal unused threaded holes so that cable glands can be inserted in the future. The KSPMH is approved for pressure-resistant Ex d encapsulations and increased safety Ex e applications.



Technical data

| | |
|-------------------|---|
| O-Ring | Silicone |
| Temperature range | -60 °C...200 °C |
| Protection class | IP66, IP68 (100 m / 168 h) |
| Marking | Ex d IIC Gb, Ex e IIC Gb, Ex tb IIIC Db |
| Note | |

Ordering data

| Type | Thread | L | L1 | Qty. | Order No. |
|------------------------|--------|------|----|------|------------|
| brass | | | | | |
| KSPMH M16 BSC | M 16 | 20.5 | 16 | 20 | 1477740000 |
| KSPMH M20 BSC | M 20 | 21 | 16 | 20 | 1477750000 |
| KSPMH M25 BSC | M 25 | 21 | 16 | 20 | 1477770000 |
| KSPMH M32 BSC | M 32 | 21 | 16 | 10 | 1477780000 |
| KSPMH M40 BSC | M 40 | 21.5 | 16 | 10 | 1477790000 |
| KSPMH M50 BSC | M 50 | 21.5 | 16 | 1 | 1477800000 |
| KSPMH M63 BSC | M 63 | 22 | 16 | 1 | 1477810000 |
| KSPMH M75 BSC | M 75 | 22 | 16 | 1 | 1477830000 |
| Stainless steel | | | | | |
| KSPMH M16 SSC | M 16 | 20.5 | 16 | 20 | 1477820000 |
| KSPMH M20 SSC | M 20 | 21 | 16 | 20 | 1477840000 |
| KSPMH M25 SSC | M 25 | 21 | 16 | 20 | 1477870000 |
| KSPMH M32 SSC | M 32 | 21 | 16 | 10 | 1477890000 |
| KSPMH M40 SSC | M 40 | 21.5 | 16 | 10 | 1477910000 |
| KSPMH M50 SSC | M 50 | 21.5 | 16 | 1 | 1477930000 |
| KSPMH M63 SSC | M 63 | 22 | 16 | 1 | 1477950000 |
| KSPMH M75 SSC | M 75 | 22 | 16 | 1 | 1477980000 |

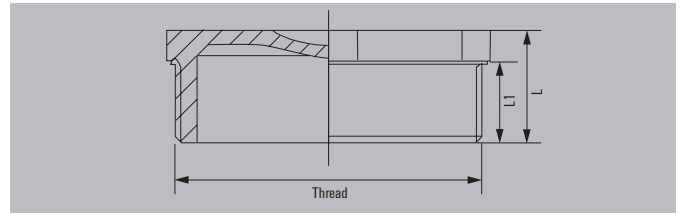
Note Installation specifications and tightening torques can be found in the installation instructions. For further information please use our online catalogue: catalog.weidmueller.com.

Ex-Blanking plugs

Blanking plugs – Plastic – Ex e, IP66



For secure connection of unused screw-in threads or through-hole in enclosures. For Ex e applications with an impact resistance of 7 Joule in accordance with IEC 60079-0.



Technical data

| | |
|-------------------|--|
| Material / Colour | Polyamide 6 / Deep black / RAL 9005 |
| O-Ring | Silicone |
| Temperature range | -60 °C...70 °C |
| Protection class | IP54, IP66, IP67, IP68 - 5 bar (30 min.) |
| Impact resistance | 7 joules in acc. with IEC 60079-0 |
| Marking | Ex eb IIC Gb, Ex tb IIC Db IP66/68 |
| Note | |

Ordering data

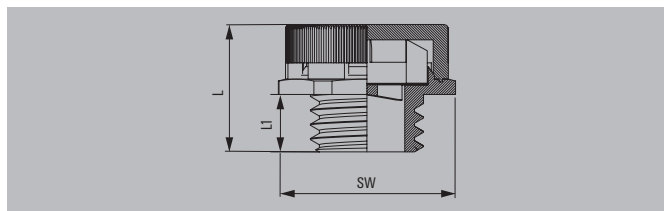
| Type | Thread | L | L1 | SW | Qty. | Order No. |
|-----------------|--------|------|----|----|------|------------|
| VP M12 EX SI 7J | M 12 | 15 | 10 | 15 | 100 | 2066710000 |
| VP M16 EX SI 7J | M 16 | 16.3 | 12 | 19 | 100 | 2066720000 |
| VP M20 EX SI 7J | M 20 | 17 | 11 | 23 | 100 | 2066730000 |
| VP M25 EX SI 7J | M 25 | 15.8 | 10 | 28 | 100 | 2066740000 |
| VP M32 EX SI 7J | M 32 | 22.8 | 15 | 36 | 100 | 2066750000 |
| VP M40 EX SI 7J | M 40 | 26.5 | 18 | 46 | 20 | 2066760000 |
| VP M50 EX SI 7J | M 50 | 27.5 | 18 | 55 | 20 | 2066770000 |
| VP M63 EX SI 7J | M 63 | 27.5 | 18 | 69 | 20 | 2066940000 |

Note Installation specifications and tightening torques can be found in the installation instructions.
For further information please use our online catalogue: catalog.weidmueller.com.

Compensation elements – Plastic – DAE



The DAE pressure-compensation element provides good ventilation for the enclosure and prevents moisture build-up. At the same time it maintains the high IP69k protection level. The membrane repels water and oil.



Technical data

| | |
|---------------------------|---|
| Material / Colour | Polyamide 6 / Deep black / RAL 9005 |
| O-Ring | NBR |
| Temperature range | -40 °C...105 °C |
| Protection class | IP66, IP68 (1 m / 60 min), IP69K |
| Air flow | 0.8 l/min at 0.1 bar ΔP, up to 7.6 l/min at 1bar ΔP |
| Water inlet point | > 1.5 bar |
| UL 94 flammability rating | V-2 |
| Note | |

Ordering data

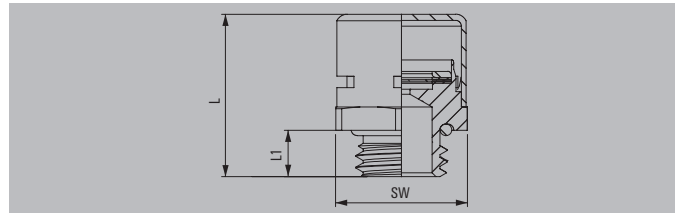
| Type | Thread | L | L1 | SW | Qty. | Order No. |
|------------------|---|------|----|----|------|------------|
| DAE M12 PA LONG | M 12 | 17.4 | 10 | 17 | 10 | 1868570000 |
| DAE M12 PA SHORT | M 12 | 13.4 | 6 | 17 | 10 | 1868560000 |
| Note | Light grey version - RAL 7035 - on request. | | | | | |

Compensating elements

Compensation elements – Stainless steel – DAE



The DAE pressure-compensation element provides good ventilation for the enclosure and prevents moisture build-up. At the same time it maintains the high IP69k protection level. The membrane repels water and oil.



D

Technical data

| | |
|-------------------|---|
| Material | Stainless steel 1.4305 (303) |
| O-Ring | NBR |
| Temperature range | -40 °C...105 °C |
| Protection class | IP66, IP68 (1 m / 60 min), IP69K |
| Air flow | 0.4 l/min at 0.1 bar ΔP, up to 5.0 l/min at 1bar ΔP |
| Water inlet point | > 1.5 bar |
| Note | |

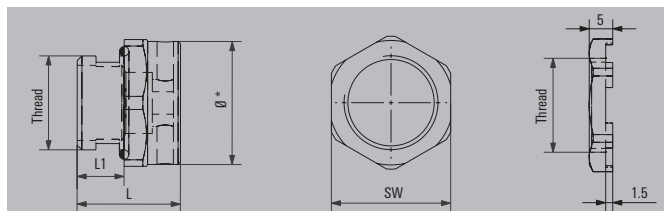
Ordering data

| Type | Thread | L | L1 | SW | Qty. | Order No. |
|-------------|--------|------|----|----|------|------------|
| metric | | | | | | |
| DAEM12 SS | M 12 | 21.1 | 10 | 17 | 10 | 1868550000 |
| Note | | | | | | |

Breather drains – Klippon® BDX



The BDX compensating element is used for ventilating the enclosure and preventing a buildup of moisture, particularly in Ex applications.



Technical data

| | |
|-------------------|---------------------------------------|
| Material | Brass / Stainless steel 1.4404 (316L) |
| Protection class | IP66 |
| Impact resistance | 7 J ATEX version |
| Filter | Bronze insert (90% copper, 10% tin) |
| Air flow | 0.25 l / 1 h |
| Sealing | Silicone / O-Ring |
| Temperature range | -60 °C...200 °C |
| Colour | Natural |
| Note | |

Ordering data

| Type | Material | Thread | L / L1 | SW | *Diameter | Qty. | Order No. |
|----------------------|-------------------------------|--------|---------|----|-----------|------|------------|
| KLIPPON BDX M20 B | Brass | M 20 | 22 / 10 | 27 | 26.20 | 1 | 2519520000 |
| KLIPPON BDX M20 S | Stainless steel 1.4404 (316L) | M 20 | 22 / 10 | 27 | 26.20 | 1 | 2519550000 |
| KLIPPON BDX M20X15 S | Stainless steel 1.4404 (316L) | M 20 | 22 / 15 | 27 | 26.20 | 1 | 2519570000 |
| KLIPPON BDX M25 S | Stainless steel 1.4404 (316L) | M 25 | 22 / 10 | 32 | 31.00 | 1 | 2519590000 |

- Note**
- The breather-drain is only to be fitted on the bottom side of the enclosure, aligned vertically with the thread upwards, and at the lowest point to permit proper drainage.
 - The water flow rate has been tested by a water filled empty enclosure (no pressure or heat producing internal components). The water flow rate can slightly differ by influences from operational parameter and environmental conditions.
 - Installation specifications and torques can be found in the installation instructions.
 - For further information please use our online catalogue: catalog.weidmueller.com.

Cable entry system

| | | |
|---------------------------|---|-----|
| Cable entry system | Cable Management - Cable Entry System - Cabtite | E.2 |
| | Cable grommets | E.4 |
| | Cable entry frames | E.5 |
| | Divisible cable gland and accessories | E.7 |

Flexible and safe insertion of pre-assembled cables

Cabtite – the new modular system cable entry system

Managing pre-assembled cables is challenging for many plant manufacturers, especially when the cables run through cabinet or enclosure walls. A flexible cable entry system speeds up installation, facilitates service, and minimises downtime.

With the Cabtite cable entry system, maximal flexibility and time savings in cable management can be achieved. Assembled and unassembled cables in control cabinets, enclosures and machines are securely sealed and protected against tensile stress. The modular design consisting of a frame or cable gland, snap-in inlays and sealing elements allows quick configuration of cable entry cut-outs – without tools and with reliable sealing in IP66 according to DIN EN 60529.

Your special advantages:

- Maximum flexibility and time savings
- High IP protection class (IP66) as well NEMA 4x and 12
- Integrated strain relief acc. to DIN EN 62444
- Installation safety through simple handling with acoustic feedback
- Preservation of the manufacturer's guarantee for pre-assembled cables
- Fast adaptation of cable management in the event of system changes, service and maintenance cases



Use our online catalogue to find additional product details, technical information and additional services:

www.weidmueller.com/Cabtite



Handling-Video:

Cabtite Cable Entry System
Frame Solution

weidmueller.com/handling-cabtite-fs



Handling-Video:

Handling – Cabtite Cable Entry System
separable retrofit Cable Gland Solution

weidmueller.com/handling-cabtite-cgs



Individual assembly

Whether with frames or with separable cable glands with inlay and sealing elements: the basic modular components guarantee maximal flexibility and a wide range of variants.



High reliability

One click informs the user about the correct installation and guarantees error-free operation. The foamed-in seals guarantee high IP and NEMA protection.



No loss of warranty

Due to the cut-in sealing elements, the cables and wires are precisely encased. Existing connectors do not have to be dismantled – and the manufacturer's warranty is maintained.

Cable grommets

Cabtite SE - Sealing element small



Cable grommets for ASI cables

The Cabtite SE sealing elements are used in the Cabtite FR frame or in the separable cable gland Cabtite CGS. The conical design allows easy installation, reliably seals gaps and provides strain relief in accordance with DIN EN 62444. For installation, the sealing elements are pressed from the inside to the outside into the snap-in inlays previously fitted in the frame or, in the case of the Cabtite CGS divisible cable gland, are placed between the cable gland half-shells. Various sealing elements with different cable diameters and geometries are available.

Technical data

| | |
|-----------------------------|--|
| Material | TPE |
| Halogen / Silicone | No / No |
| Operating temperature, min. | Light Grey: -40 °C; Deep black: -40 °C |
| Operating temperature, max. | Light Grey: 90 °C; Deep black: 120 °C |
| UL 94 flammability rating | Light Grey: V-0; Deep black: HB |
| Note | |

Ordering data

| Type | Clamping range | Qty. | Deep black Order No. | Light Grey Order No. |
|------------------------------------|----------------|------|-------------------------|-------------------------|
| Individual sealing elements | | | | |
| CABTITE SE 1.5-2 SML | 1.5...2 mm | 10 | 2584780000 | 2583360000 |
| CABTITE SE 2-3 SML | 2...3 mm | 10 | 2584760000 | 2583380000 |
| CABTITE SE 3-4 SML | 3...4 mm | 10 | 2584730000 | 2583400000 |
| CABTITE SE 4-5 SML | 4...5 mm | 10 | 2584680000 | 2583440000 |
| CABTITE SE 5-6 SML | 5...6 mm | 10 | 2584710000 | 2583450000 |
| CABTITE SE 6-7 SML | 6...7 mm | 10 | 2584690000 | 2583460000 |
| CABTITE SE 7-8 SML | 7...8 mm | 10 | 2584670000 | 2584660000 |
| CABTITE SE 8-9 SML | 8...9 mm | 10 | 2584330000 | 2584650000 |
| CABTITE SE 9-10 SML | 9...10 mm | 10 | 2584080000 | 2584630000 |
| CABTITE SE 10-11 SML | 10...11 mm | 10 | 2584060000 | 2584610000 |
| CABTITE SE 11-12 SML | 11...12 mm | 10 | 2584040000 | 2584600000 |
| CABTITE SE 12-13 SML | 12...13 mm | 10 | 2584020000 | 2584590000 |
| CABTITE SE 13-14 SML | 13...14 mm | 10 | 2584000000 | 2584570000 |
| CABTITE SE 14-15 SML | 14...15 mm | 10 | 2583980000 | 2584560000 |
| CABTITE SE 15-16 SML | 15...16 mm | 10 | 2583960000 | 2584550000 |
| Special geometry ASI | | | | |
| CABTITE SE 1/ASI SML | | 10 | 2583530000 | 2584810000 |
| CABTITE SE 2/ASI SML | | 10 | 2583520000 | 2584800000 |
| Multiple sealing element | | | | |
| CABTITE SE 2/4-5 SML | 4...5 mm | 10 | 2583620000 | 2584900000 |
| CABTITE SE 2/5-6 SML | 5...6 mm | 10 | 2583610000 | 2584890000 |
| CABTITE SE 2/7 SML | 7...8 mm | 10 | 2583550000 | 2584830000 |
| CABTITE SE 2/8 SML | 8...9 mm | 10 | 2583540000 | 2584820000 |
| CABTITE SE 3/5-6 SML | 5...6 mm | 10 | 2652280000 | 2652290000 |
| CABTITE SE 4/2-3 SML | 2...3 mm | 10 | 2583590000 | 2584870000 |
| CABTITE SE 4/3-4 SML | 3...4 mm | 10 | 2583580000 | 2584860000 |
| CABTITE SE 4/4-5 SML | 4...5 mm | 10 | 2583560000 | 2584840000 |
| Cone sealing element | | | | |
| CABTITE CSE 2-11 SML | 2...11 mm | 10 | 2583510000 | |
| Blind plugs | | | | |
| CABTITE BSE SML | | 10 | 2584790000 | 2583350000 |
| Note | | | | |

Cabtite SE - sealing elements large



Blanking plugs

Cone sealing element

The Cabtite SE sealing elements in large design are identical in construction to those in small design. However, they can accommodate cables with a larger outer diameter.

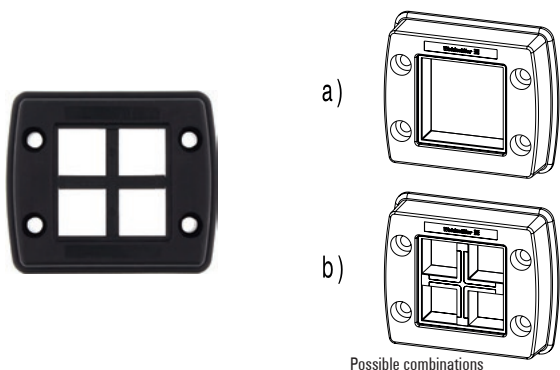
Technical data

| | |
|-----------------------------|--|
| Material | TPE |
| Halogen / Silicone | No / No |
| Operating temperature, min. | Deep black: -40 °C; Light Grey: -40 °C |
| Operating temperature, max. | Deep black: 120 °C; Light Grey: 90 °C |
| UL 94 flammability rating | Deep black: HB; Light Grey: V-0 |
| Note | |

Ordering data

| Type | Clamping range | Qty. | Deep black Order No. | Light Grey Order No. |
|------------------------------------|----------------|------|-------------------------|-------------------------|
| Individual sealing elements | | | | |
| CABTITE SE 14-15 LRG | 14...15 mm | 10 | 2583880000 | 2584510000 |
| CABTITE SE 15-16 LRG | 15...16 mm | 10 | 2583860000 | 2584500000 |
| CABTITE SE 16-17 LRG | 16...17 mm | 10 | 2583850000 | 2584490000 |
| CABTITE SE 17-18 LRG | 17...18 mm | 10 | 2583840000 | 2584480000 |
| CABTITE SE 18-19 LRG | 18...19 mm | 10 | 2583830000 | 2584470000 |
| CABTITE SE 19-20 LRG | 19...20 mm | 10 | 2583810000 | 2584460000 |
| CABTITE SE 20-21 LRG | 20...21 mm | 10 | 2583790000 | 2584450000 |
| CABTITE SE 21-22 LRG | 21...22 mm | 10 | 2583770000 | 2584440000 |
| CABTITE SE 22-23 LRG | 22...23 mm | 10 | 2583750000 | 2584430000 |
| CABTITE SE 23-24 LRG | 23...24 mm | 10 | 2583730000 | 2584420000 |
| CABTITE SE 24-25 LRG | 24...25 mm | 10 | 2583710000 | 2584410000 |
| CABTITE SE 25-26 LRG | 25...26 mm | 10 | 2583700000 | 2584400000 |
| CABTITE SE 26-27 LRG | 26...27 mm | 10 | 2583690000 | 2584390000 |
| CABTITE SE 27-28 LRG | 27...28 mm | 10 | 2583680000 | 2584370000 |
| CABTITE SE 28-29 LRG | 28...29 mm | 10 | 2583670000 | 2584350000 |
| CABTITE SE 29-30 LRG | 29...30 mm | 10 | 2583660000 | 2584380000 |
| CABTITE SE 30-31 LRG | 30...31 mm | 10 | 2583650000 | 2584360000 |
| CABTITE SE 31-32 LRG | 31...32 mm | 10 | 2583640000 | 2584340000 |
| CABTITE SE 32-33 LRG | 32...33 mm | 10 | 2583630000 | 2584920000 |
| CABTITE SE 33-34 LRG | 33...34 mm | 10 | 2595510000 | 2584910000 |
| CABTITE SE 34-35 LRG | 34...35 mm | 10 | 2595520000 | 2595530000 |
| Cone sealing element | | | | |
| CABTITE CSE 7-24 LRG | 7...24 mm | 10 | 2583500000 | |
| Blind plugs | | | | |
| CABTITE BSE LRG | | 10 | 2583900000 | 2584520000 |
| Note | | | | |

Cabtite FR - CABTITE FR 4-1 BK SET



The one-piece frame, consisting of a dimensionally stable, fibreglass-reinforced plastic, is quick and easy to assemble and available in four different sizes. The foamed, captive seal guarantees a high degree of impermeability to IP66, even with painted or rough surfaces. The frame sets contain the appropriate Rastinlays to realize the individual configuration (see above a or b) of small and large sealing elements. The sealing elements are not included in the frame set and must be selected to match the cable diameter.

Technical data

| | |
|--|-------------------------------------|
| Material | Polyamide, glass fibre-reinforced |
| Colour | Deep black |
| Operating temperature | -40...120 °C |
| Protection class / Protection class (UL) | IP54, IP65, IP66 / Type 12, Type 4x |
| UL 94 flammability rating | V-0 |
| Note | |

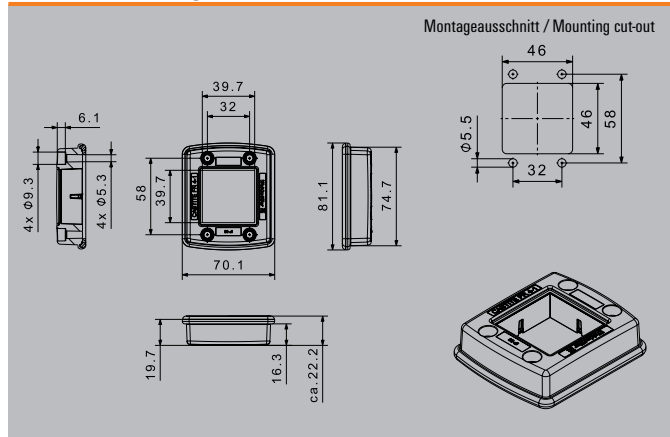
Ordering data

| Type | Qty. | Order No. |
|---|--|------------|
| Set | | |
| CABTITE FR 4-1 BK SET | 1 | 2583780000 |
| Single frame (without snap-in inlay) | | |
| CABTITE FR 4-1 BK | 1 | 2583490000 |
| Note | The individual frames do not contain any Rastinlays or sealing elements. | |

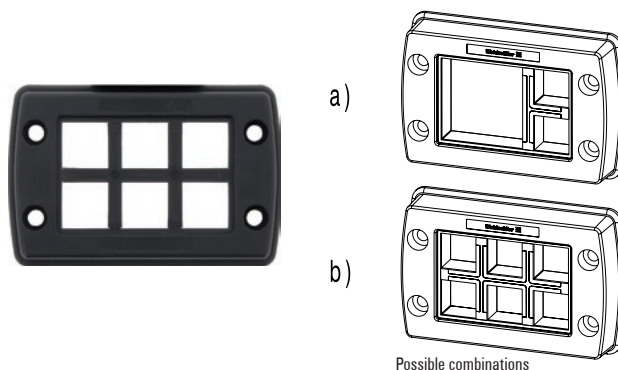
Accessories

| Product type | Type | Qty. | Order No. |
|------------------------|----------------------|------|------------|
| Locking frame (inside) | CABTITE FRL 4-1 BK | 10 | 2584260000 |
| Operating tool | CABTITE TOOL ATSE PA | 1 | 2637360000 |
| Mounting screw set | CABTITE SC M5X25 SET | 1 | 2635120000 |
| Note | | | |

Dimensioned drawing



Cabtite FR - CABTITE FR 10/6 BK SET



The one-piece frame, consisting of a dimensionally stable, fibreglass-reinforced plastic, is quick and easy to assemble and available in four different sizes. The foamed, captive seal guarantees a high degree of impermeability to IP66, even with painted or rough surfaces. The frame sets contain the appropriate Rastinlays to realize the individual configuration (see above a or b) of small and large sealing elements. The sealing elements are not included in the frame set and must be selected to match the cable diameter.

Technical data

| | |
|--|-------------------------------------|
| Material | Polyamide, glass fibre-reinforced |
| Colour | Deep black |
| Operating temperature | -40...120 °C |
| Protection class / Protection class (UL) | IP54, IP65, IP66 / Type 12, Type 4x |
| UL 94 flammability rating | V-0 |
| Note | |

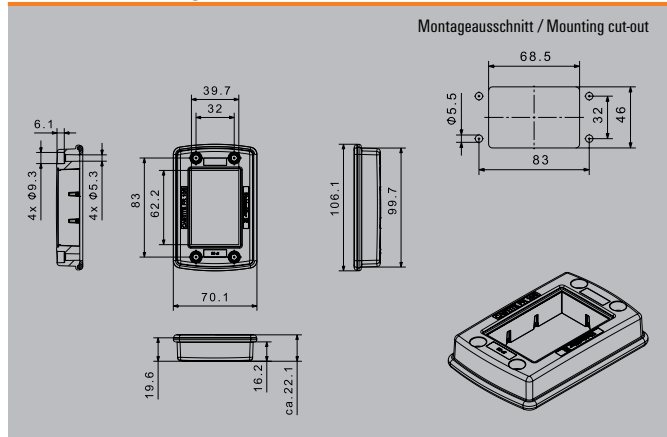
Ordering data

| Type | Qty. | Order No. |
|---|--|------------|
| Set | | |
| CABTITE FR 10/6 BK SET | 1 | 2583760000 |
| Single frame (without snap-in inlay) | | |
| CABTITE FR 10/6 BK | 1 | 2583480000 |
| Note | The individual frames do not contain any Rastinlays or sealing elements. | |

Accessories

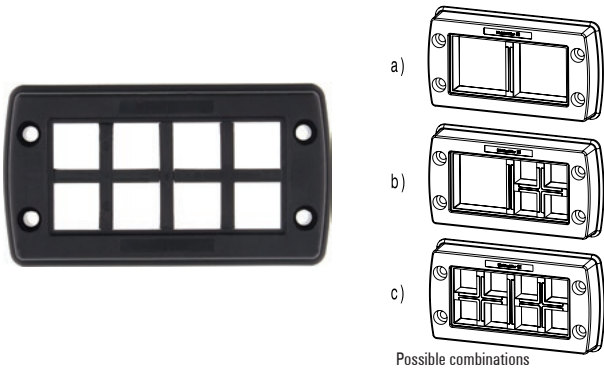
| Product type | Type | Qty. | Order No. |
|------------------------|----------------------|------|------------|
| Locking frame (inside) | CABTITE FRL 10/6 BK | 10 | 2584240000 |
| Operating tool | CABTITE TOOL ATSE PA | 1 | 2637360000 |
| Mounting screw set | CABTITE SC M5X25 SET | 1 | 2635120000 |
| Note | | | |

Dimensioned drawing



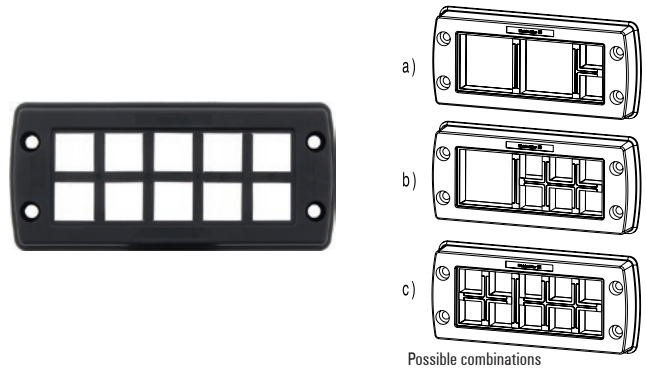
Cable entry frames

Cabtite FR - CABTITE FR 16/8 BK SET



The one-piece frame, consisting of a dimensionally stable, fibreglass-reinforced plastic, is quick and easy to assemble and available in four different sizes. The foamed, captive seal guarantees a high degree of impermeability to IP66, even with painted or rough surfaces. The frame sets contain the appropriate Rastinlays to realize the individual configuration (see above a, b or c) of small and large sealing elements. The sealing elements are not included in the frame set and must be selected to match the cable diameters.

Cabtite FR - CABTITE FR 24/10 BK SET



The one-piece frame, consisting of a dimensionally stable, fibreglass-reinforced plastic, is quick and easy to assemble and available in four different sizes. The foamed, captive seal guarantees a high degree of impermeability to IP66, even with painted or rough surfaces. The frame sets contain the appropriate Rastinlays to realize the individual configuration (see above a, b or c) of small and large sealing elements. The sealing elements are not included in the frame set and must be selected to match the cable diameters.

Technical data

| | |
|--|-------------------------------------|
| Material | Polyamide, glass fibre-reinforced |
| Colour | Deep black |
| Operating temperature | -40...120 °C |
| Protection class / Protection class (UL) | IP54, IP65, IP66 / Type 12, Type 4x |
| UL 94 flammability rating | V-0 |
| Note | |

Technical data

| | |
|--|-------------------------------------|
| Material | Polyamide, glass fibre-reinforced |
| Colour | Deep black |
| Operating temperature | -40...120 °C |
| Protection class / Protection class (UL) | IP54, IP65, IP66 / Type 12, Type 4x |
| UL 94 flammability rating | V-0 |
| Note | |

Ordering data

| Type | Qty. | Order No. |
|---|--|------------|
| Set | | |
| CABTITE FR 16/8 BK SET | 1 | 2583740000 |
| Single frame (without snap-in inlay) | | |
| CABTITE FR 16/8 BK | 1 | 2583470000 |
| Note | The individual frames do not contain any Rastinlays or sealing elements. | |

Ordering data

| Type | Qty. | Order No. |
|---|--|------------|
| Set | | |
| CABTITE FR 24/10 BK SET | 1 | 2583720000 |
| Single frame (without snap-in inlay) | | |
| CABTITE FR 24/10 BK | 1 | 2583800000 |
| Note | The individual frames do not contain any Rastinlays or sealing elements. | |

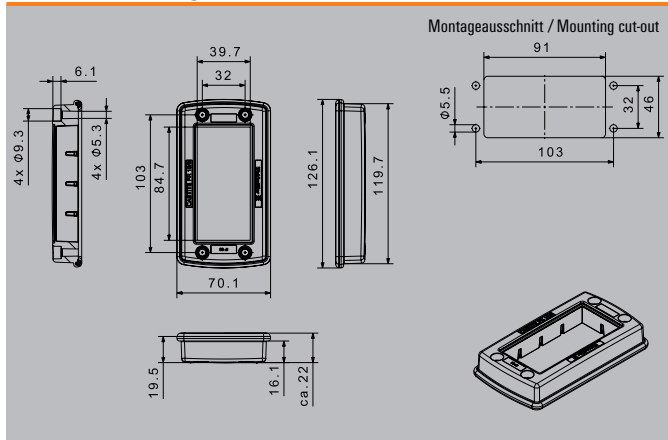
Accessories

| Product type | Type | Qty. | Order No. |
|------------------------|----------------------|------|------------|
| Locking frame (inside) | CABTITE FRL 16/8 BK | 10 | 2584220000 |
| Operating tool | CABTITE TOOL ATSE PA | 1 | 2637360000 |
| Mounting screw set | CABTITE SC M5X25 SET | 1 | 2635120000 |
| Note | | | |

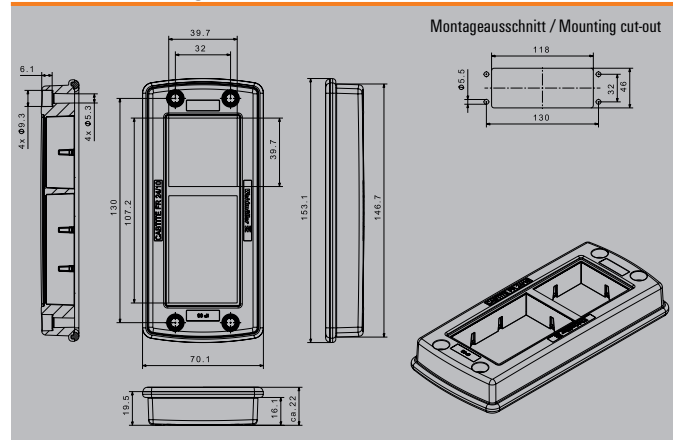
Accessories

| Product type | Type | Qty. | Order No. |
|------------------------|----------------------|------|------------|
| Locking frame (inside) | CABTITE FRL 24/10 BK | 10 | 2584210000 |
| Operating tool | CABTITE TOOL ATSE PA | 1 | 2637360000 |
| Mounting screw set | CABTITE SC M5X25 SET | 1 | 2635120000 |
| Note | | | |

Dimensioned drawing



Dimensioned drawing



Cabtite CGD - separable cable gland



Spare counter nut

For metric through holes from M20 to M63, the Cabtite cable entry system offers separable cable glands for cables with and without plugs. In case of maintenance or changes in the system, pre-assembled cables with diameters from 2 to 35 mm can be quickly and safely inserted into switch cabinets or housings. After inserting the sealing elements (Cabtite SE), the two halves of the cable gland are simply snapped together. A likewise separable lock nut on the inside of the cabinet ensures a secure and firm hold.

Technical data

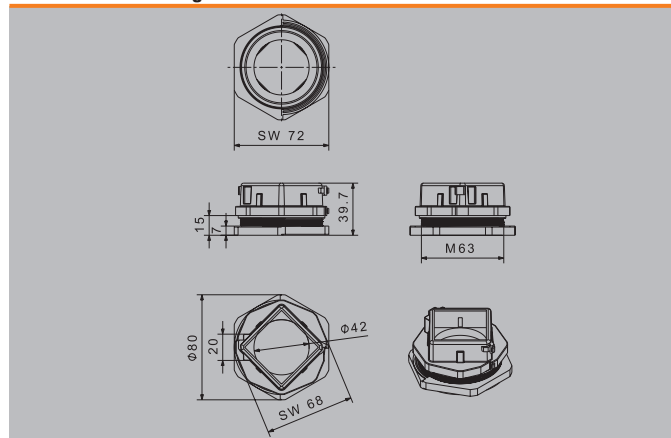
| | |
|--|-----------------------------------|
| Material | Polyamide, glass fibre-reinforced |
| Colour | Deep black |
| Operating temperature | -40...120 °C |
| Protection class / Protection class (UL) | IP54, IP65, IP66 / |
| UL 94 flammability rating | V-0 |
| Note | |

Ordering data

| Type | Qty. | Order No. |
|-------------------------------|------|------------|
| Divisible cable gland* | | |
| CABTITE CGS M20 BK | 10 | 2584200000 |
| CABTITE CGS M25 BK | 10 | 2584180000 |
| CABTITE CGS M32 BK | 10 | 2584160000 |
| CABTITE CGS M40 BK | 5 | 2584150000 |
| CABTITE CGS M50 BK | 5 | 2584130000 |
| CABTITE CGS M63 BK | 5 | 2584120000 |
| Articulated locknut | | |
| CABTITE LNS M20 BK | 10 | 2584110000 |
| CABTITE LNS M25 BK | 10 | 2584090000 |
| CABTITE LNS M32 BK | 10 | 2584070000 |
| CABTITE LNS M40 BK | 5 | 2584050000 |
| CABTITE LNS M50 BK | 5 | 2584030000 |
| CABTITE LNS M63 BK | 5 | 2584010000 |
| Rastinly for M40-M63** | | |
| CABTITE GI X BK | 5 | 2584290000 |
| Note | | |

*The cable glands are supplied with a locknut. **The snap-in insert is required to install 4 small sealing elements in the cable gland.

Dimensioned drawing



Cabtite GI - Rastinlay



The insertable snap-in inlay allows the frame openings/cable glands to be configured as required for the small or large sealing elements used. Thus the Cabtite cable entry system can be variably configured for different requirements (cables, lines, hoses, pneumatic and hydraulic lines).

Technical data

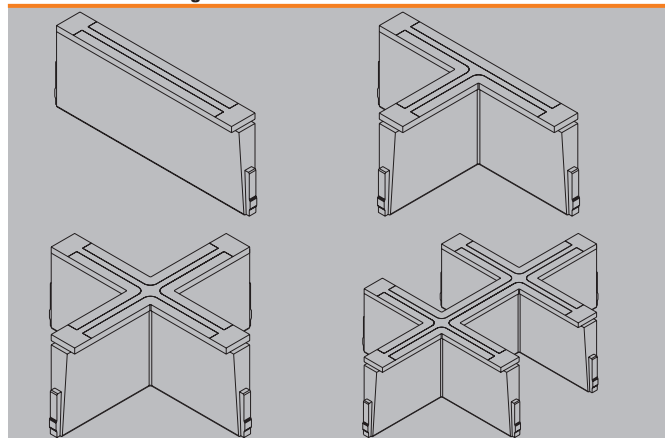
| | |
|--|-----------------------------------|
| Material | Polyamide, glass fibre-reinforced |
| Colour | Deep black |
| Operating temperature | -40...120 °C |
| Protection class / Protection class (UL) | IP54, IP65, IP66 / |
| UL 94 flammability rating | V-0 |
| Note | |

Ordering data

| Type | Qty. | Order No. |
|-------------------------------|------|------------|
| CABTITE GI I BK | 5 | 2584320000 |
| CABTITE GI T BK | 5 | 2584300000 |
| CABTITE GI H BK | 5 | 2584270000 |
| Rastinly for M40-M63** | | |
| CABTITE GI X BK | 5 | 2584290000 |
| Note | | |

**The locking inlay is required to install 4 small sealing elements in the cable gland.

Dimensioned drawing



Divisible cable gland and accessories

Cabtite CR - Cable support strips (EMC)



In combination with a large number of different shield connection clamps (KLBÜ), the shield connection rails enable practical, uncomplicated and fast shielding of cables.

Technical data

| | |
|----------|-------------------|
| Material | Steel, galvanized |
| Colour | silver |

Note

Ordering data

| Type | Qty. | Order No. |
|----------------------|------|------------|
| CABTITE CR 4-1 EMV | 10 | 2583950000 |
| CABTITE CR 10/6 EMV | 10 | 2583930000 |
| CABTITE CR 16/8 EMV | 10 | 2583910000 |
| CABTITE CR 24/10 EMV | 10 | 2583890000 |

Note

Cabtite BP - Blanking plug



The blind plugs are used for the safe closing of unneeded cable passages in the sealing elements.

Technical data

| | |
|-----------------------|--------------|
| Material | Polyamide |
| Colour | red |
| Operating temperature | -60...100 °C |

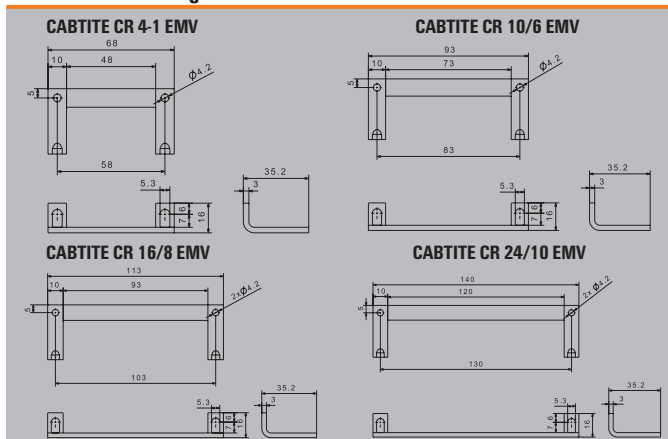
Note

Ordering data

| Type | Qty. | Order No. |
|--------------------|------|------------|
| CABTITE BP 2MM PA | 50 | 2652300000 |
| CABTITE BP 3MM PA | 50 | 2652310000 |
| CABTITE BP 4MM PA | 50 | 2652320000 |
| CABTITE BP 5MM PA | 50 | 2652330000 |
| CABTITE BP 6MM PA | 50 | 2652340000 |
| CABTITE BP 7MM PA | 50 | 2652350000 |
| CABTITE BP 8MM PA | 50 | 2652360000 |
| CABTITE BP 9MM PA | 50 | 2652370000 |
| CABTITE BP 10MM PA | 50 | 2652380000 |
| CABTITE BP 12MM PA | 50 | 2652400000 |
| CABTITE BP 13MM PA | 50 | 2652410000 |
| CABTITE BP 14MM PA | 50 | 2652420000 |
| CABTITE BP 17MM PA | 50 | 2652430000 |
| CABTITE BP 20MM PA | 50 | 2652440000 |
| CABTITE BP 21MM PA | 50 | 2652450000 |
| CABTITE BP 25MM PA | 50 | 2652460000 |
| CABTITE BP 28MM PA | 50 | 2652470000 |
| CABTITE BP 35MM PA | 50 | 2652480000 |

Note

Dimensioned drawing



Tools

Tools

Overview

F.2

Tools

At Weidmüller, we have been developing and manufacturing quality tools to meet the most stringent requirements for over 30 years. When we develop new solutions, we always keep our goal in mind: to make your job easier, optimise processes and help protect the long-term productivity of your business.

The best conditions for this can be created by using perfectly coordinated products and tools from a single source. Our range includes professional manual tools for cutting, stripping, crimping, testing and screwing. The assortment is supplemented by tool sets that sensibly and efficiently combine tools and matching accessories. Our machines simplify continually recurring tasks and save valuable time.

Your special advantages:

- Increased safety thanks to the tool certification service
- Flexibility in form and function
- High level of efficiency thanks to sophisticated ergonomics and multiple actions per work process
- Profitable interplay between products and tools from a single source

Stripping tools

Thanks to the exact adaptation to the insulation and wire cross-section, our professional stripping tools guarantee defect-free processing with consistently reliable stripping results. With its wide range of stripping tools, Weidmüller satisfies all the criteria for professional cable processing.

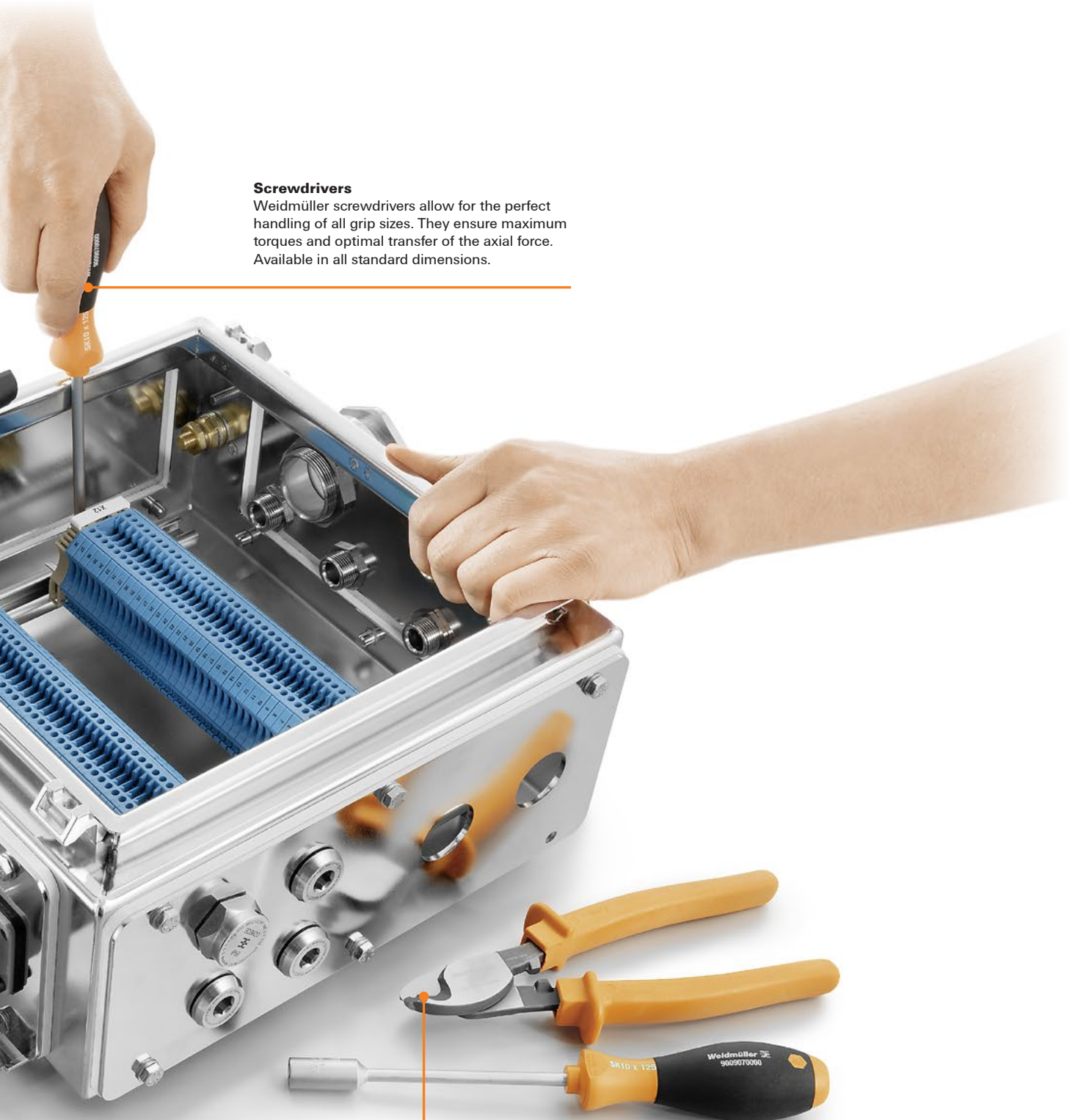
Cable gland tools

The Weidmüller cable gland tools are suitable for an extremely wide range of cable glands. They enable you to tighten or loosen several rows of connections without deforming the cable glands.



Screwdrivers

Weidmüller screwdrivers allow for the perfect handling of all grip sizes. They ensure maximum torques and optimal transfer of the axial force. Available in all standard dimensions.



Cutting tools

Weidmüller is a specialist in the cutting of copper and aluminium cables. The range of products extends from cutting tools with direct force application for small cross-sections to cutting tools for large diameters.

Service and support

| | | |
|----------------------------|--|-----|
| Service and support | Our expertise for your requirements | V.2 |
| | Benefit from optimum support when using our products | V.4 |

Our expertise for your requirements

Service connects - worldwide

Automation technology functions are becoming more complex in a globally-oriented world facing ambitious targets in terms of energy efficiency and smart production. We are your equal partners for the best connections in Industrial Connectivity. Our worldwide network of industrial managers for machine construction, process automation, energy and traffic engineering and for device manufacturers know the challenges you face and can support you in your specific applications.

Training course on technologies, applications and the detailed functionality of our products is available to you locally or at our headquarter in Germany. Our personal support can answer any questions reliably and expertly. Our online services are available 365 day a year around the clock to provide answers to your questions on our products - from user documentation through software to planning tools.

In short: Weidmüller's global service combines our expertise with your requirements.





Professional advice on planning

Our global network of industrial managers has extensive experience in automation technology and electrical connectivity. This expertise allows us to assist you with advice and planning support in order to work with you on resolving the everyday challenges of your applications.



Technology and application training

Industrial automation is moving towards smart production. It faces the challenges of new technologies and applications. Our varied range of training courses develops this knowledge further or provides more in-depth information on the handling of our products and solutions. Our seminars are modular and can be customised. We can train you and your employees in our academy, on your premises if you wish or online in our webinars at any time.



Customised installation

The challenges for the future are reducing costs and increasing efficiency. This requires intelligent, individual solutions which are tailored to your requirements. We can offer a highly qualified customer-specific production service in our application centre. Whether you need modified products, pre-assembled terminal rails or complete small cabinets: we produce the solutions developed for your application quickly and flexibly.

Online support and downloads

Exactly the right help and information on our solutions and products

If our products are used in your automation technology applications, you need the best possible individual support, from planning through installation to operation.

For every stage of your application, we can offer the right tools and information for our products and solutions. Up-to-date, uncomplicated, comprehensive and around the clock via our service portal at www.weidmueller.com/service.

Fast access to our support and services is available via Weidmüller webcodes. Simply select the service you want on the right hand side, then enter the webcode made up of five digits with a preceding hashtag into the search field in the top right corner of www.weidmueller.com and it will bring up the details you need.



Online and personal support

From planning through installation to operation, we can provide exactly the right help and information for each step of your application based on our solutions and products: up-to-date, uncomplicated and comprehensive, around the clock, online or in person.



Visit our website
for more information

www.weidmueller.com/service

Let's connect.

Engineering Support

As a developer, you need simple processes and system-wide tools. We support you in your development environment with comprehensive data, software tools and interfaces, product selection guides and development samples.

Technical data and downloads

Download all the documents and software relating to our products by simply entering the item number. You can also view our Online Catalogue and research the technical properties of our products.

Commercial support

Integrate our product data into your commercial system using standardised interfaces or familiarise yourself with the wide range of products in our technical catalogues.



Engineering data
Webcode #01219



Find downloads
Webcode #11379



Electronic catalogue in BMECat format and other formats
Webcode #11378



Product software
Webcode #01212



Products in the Online Catalogue
Webcode #01217



Access our Webshop
Webcode #11382



Whitepaper for device connectivity
Webcode #11359



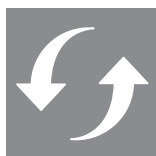
Security Advisory Board
Webcode #11424



Technical catalogue in PDF Format
Webcode #01218



Engineering software
Webcode #11377



Product Change Notification
Webcode #11425



Product configurators, product selection guides and samples
Webcode #01214

More offers in online support and downloads

Not found what you are looking for? We have even more to offer you in online support and downloads.



Approvals, certificates and declaration of conformity
Webcode #11374

Here you will find information on the CE declaration of conformity, on RoHS and REACH and other company related certificates and approvals.

Technical appendix

| | | |
|---------------------------|---------------------------------------|------|
| Technical appendix | Directive 1999/92/EC | W.2 |
| | ATEX directive 2014/34/EU | W.5 |
| | IECEx scheme | W.6 |
| | ☞ Hazardous areas guide | W.7 |
| | IP class of protection | W.10 |
| | Guidelines for selecting cable glands | W.12 |
| | Ratings plate of an empty enclosure | W.14 |
| | Type label for enclosure assemblies | W.15 |

Directive 1999/92/EC

Article 137 of the European Community Formation Treaty set out the minimum standards in order to improve workers' health and safety, this can also be put at risk by explosive atmospheres. An explosive atmosphere is a mixture of air and flammable gasses, vapours, mists or dust under atmospheric conditions where, following successful ignition, the burning process will propagate throughout the whole unburned mixture.

The directive 1999/92/EC was transferred into national law. Compliance with the minimum standards contained in this directive does not guarantee that all relevant national laws are met. It is possible for local regulators to introduce more stringent requirements.

The employer is required, according to the directive 1999/92/EC, to take measures to ensure the health and safety of the employees. One measure is the division of the area into zones where explosive atmospheres could be present.

Unless the risk analysis conducted by the employer indicates otherwise, all areas where an explosive atmosphere may be present must be equipped with devices and protective systems that meet the relevant category of the ATEX directive 2014/34/EU.

In particular in these zones the following categories of equipment should be used, as long as they are suitable for use with gases, vapours, mists or dusts:

- In Zone 0 or Zone 20: category 1 devices
- In Zone 1 or Zone 21: category 1 or category 2 devices
- In Zone 2 or Zone 22: category 1, category 2 or category 3 devices

Zoning according to the directive 1999/92/EC

Explosion risk areas are classified into zones according to likelihood of explosive atmospheres occurring and their persistence.

Zone 0

An area which has a potentially explosive atmosphere that is a mixture of air and **flammable gases, vapours or mists**. The mixture is either permanently present or frequently present over long periods of time.

Zone 1

An area in which during normal operations a potentially explosive atmosphere of air and **flammable gases, vapours or mists** can occasionally form.

Zone 2

An area for which during normal operations there is at most only a short-term occurrence of a potentially explosive atmosphere of mixtures of air and **flammables gases, vapours or mists**.

Zone 20

An area where a potentially explosive atmosphere is present in the form of a **flammable dust** cloud in the air. This cloud is either permanently present or frequently present over long periods of time.

Zone 21

An area where, during normal operations, a potentially explosive atmosphere in the form of a **flammable dust** cloud in the air can occasionally form.

Zone 22

An area where, during normal operations, a potentially explosive atmosphere in the form of a **flammable dust** cloud in the air is not normally present or only present for a short time.

For the risk assessment and as well as the zoning concept described above, Ex devices themselves can be considered in an alternative process which uses the equipment protection level (EPL). These protective levels determine the internal ignition risk of a device where the sort of applied protection does not play a role.

The system of EPL classifications (Equipment Protection Level) is shown below.

Firedamp (methane) risk mines (Group I)

EPL Ma

Equipment for installation in mining applications, offering a „very high“ level of protection and which do not constitute a source of ignition during normal operation, or in the event of rarely occurring faults.

EPL Mb

Equipment for installation in a mine with a high level of protection. Has sufficient safety to ensure that there is no source of ignition in the period of time between the outbreak of gas and the time the equipment is switched off.

Gases (Group II)

EPL Ga

Equipment for explosive-risk gas atmospheres with a very high level of protection. No source of ignition is present during normal operation or when errors occur that cannot be necessarily expected on a regular basis.

EPL Gb

Equipment for explosive-risk gas atmospheres with a high level of protection. No source of ignition is present during normal operation or when errors occur that cannot be necessarily expected on a regular basis.

EPL Gc

Equipment for explosive-risk gas atmospheres with an elevated level of protection. No source of ignition is present during normal operation and it can have additional safeguards to ensure that none is present during faults which happen regularly (e. g. failure of a lamp).

Dust (Group III)

EPL Da

Equipment for combustible dust atmospheres with a very high level of protection. No source of ignition is present during normal operation or in very rare faults.

EPL Db

Equipment for combustible dust atmospheres with a high level of protection. No source of ignition is present during normal operation or when errors occur that cannot be necessarily expected on a regular basis.

EPL Dc

Equipment for combustible dust atmospheres with an elevated level of protection. No source of ignition is present during normal operation and it can have additional safeguards to ensure that none is present during faults which happen regularly (e. g. failure of a lamp).



Classification of explosive groups

Electrical devices for groups II and III are classified further as a function of the properties of the explosive atmosphere for which they are intended.

The danger of the atmosphere increases from IIA(IIIA) to IIC(IIIC) so that all equipment certified for use in IIC(IIIC) areas may also be used in IIA(IIIA) and IIB(IIIB) areas.

Classification of explosive groups

| Group | Material, e.g. | Ignition energy | Group | Material |
|-------|----------------|-----------------|-------|---------------------|
| IIA | Propane | 266 µJ | IIA | Flammable fluff |
| IIB | Ethylene | 85 µJ | IIB | Non-conductive dust |
| IIC | Hydrogen | 19 µJ | IIC | Conductive dust |

Classification of zones and equipment categories

| Combustible ingredients | Explosive atmospheres | Zone division | EPL safety level | Identification | |
|------------------------------------|-----------------------|---------------|------------------|-----------------|-----------------|
| | | | | Equipment group | Device category |
| Gas, mist, vapours/fumes (G / Gas) | permanent, long-term | Zone 0 | Ga | II | 1G |
| | occasionally | Zone 1 | Gb | II | 2G |
| | unlikely, short-term | Zone 2 | Gc | II | 3G |
| Dusts (D / Dust) | permanent, long-term | Zone 20 | Da | II | 1D |
| | occasionally | Zone 21 | Db | II | 2D |
| | unlikely, short-term | Zone 22 | Dc | II | 3D |

W

ATEX directive 2014/34/EU

Article 96 of the Treaty on the Foundation of the European Union and Decision no. 768/2008/EU and Federal Gazette 96/309-356 govern the standardisation of legal regulations in the Member States. The ATEX directive 2014/34/EU sets out the basic requirements for health and safety protection as a directive following the new concept. It is aimed at manufacturers of equipment and components designed for used in potentially explosive atmosphere areas.

This directive had to be adopted without deviation into national law.

For Germany, this took the form of the passing of the Explosion Protection Ordinance (2015 ExVo 2015) of the Product Safety Act (ProdSG). It applies to all industrial potentially explosive areas, including mines, and also covers protection from dust-ignited explosions.

This directive sets out the requirements for the products depending on their equipment group and category. This is the category as set down by the directive 1999/92/EC applicable for each appropriate zone.

To prove conformity with the basic health and safety regulations, harmonised standards are used. If the requirements as laid out in the Official Journal of the EU are met, then it will be in compliance with the standard requirements for conformity (presumption of conformity). Various, mostly equivalent, protection types have been standardised harmoniously.

This conformity assessment process of the directives sets out different procedures. For device category 3, the manufacturer can perform the conformity assessment itself. For devices of categories 1 and 2, this conformity check must be carried out at a notified body in the form of a EC type-examination. In addition, quality assurance must be monitored for the devices of categories 1, 2 and 3.

Weidmüller has devices and components in its product range. Empty enclosures are components and are certified at the factory as such. Installing certified components does not create a certified equipment. To do this, additional tests must be carried out.

Weidmüller offers customer-specific devices available as certified solutions. The production of assembled enclosures is monitored by a notified body.

IECEX scheme

The IECEx scheme is an international certification scheme for products which meet the requirements of the international standards, e.g. the technical committee TC31's IEC standards.

The certificates awarded in this scheme are published on the IECEx website (www.iecex.com) as an electronic certificate. They can be viewed online and printed out.

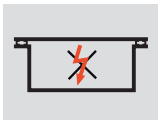
A Certificate of Conformity (CoC) refers to a test report (Ex Test Report ExTR) and on an assessment of the quality assessment report from the manufacturer (QAR).

The standards used for the production of the test report correspond almost entirely to the harmonised standards in Europe. Recent EN standards were initially adopted as IEC standards.

Protection concepts

The zoning described above provides the basis for the selection of the type of ignition protection. So, as an example, in the ATEX applicable areas, only ignition protection devices meeting Ex ia for Zone 0 (highest probability of an explosive atmosphere being present) are allowed.

Increased safety Ex e No sparks and a surface temperature limited to a safe level

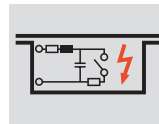


Increased safety is for products where there are no sparks produced during normal operation or in case of a failure. The surface temperature of the relevant parts is limited to a value below the ignition temperature.

Increased safety is achieved by reducing the current load and raising the isolation properties and by maintaining clearance and creepage distances above the value in an industrial application. The highest voltage permitted for this protection scheme is 11 kV (D.C. or A.C. rms).

This protection scheme is usually used for distribution cabinets..

Intrinsically safe Ex i Limited to a safe level of ignition energy

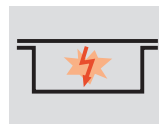


Intrinsic safety is for products where electrical energy which flows into the product, or is stored in the product, is not sufficient to ignite the surrounding explosive atmosphere. This also applies in fault conditions. The methods that achieve intrinsic safety mean that it is important that not only the devices installed in direct contact with the explosive atmosphere are constructed correctly, but also the electrical devices to which they are connected.

Intrinsically safe equipment and intrinsically safe parts of the associated equipment are divided into protection levels: ia (for zones 0, 1, and 2), ib (for zones 1 and 2), and ic (only for zone 2).

A typical application area are control and display circuits with low voltage and current.

Pressure-resistant Ex d encapsulation Limits the explosion to the inside of the enclosure

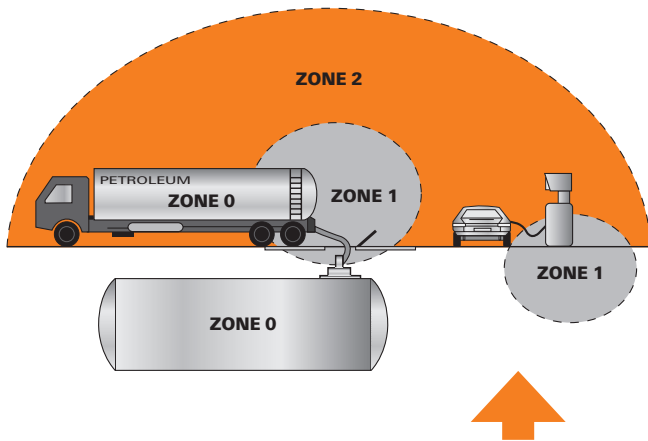


Pressure-resistant encapsulated enclosures are designed for devices where sparks are generated or which have hot surfaces which are a source of ignition during normal operation. Similarly, industrial components for use in potentially explosive atmospheres are often made suitable by encapsulating them in a pressure-resistant enclosure which otherwise could not be used.

The surrounding possibly explosive atmosphere can enter the enclosure and will produce an internal explosion during the equipment's lifespan.

The enclosure must therefore be stable enough to ensure that it is not deformed or destroyed by the pressure created. All connections of the enclosure are sized so that they cannot transmit an explosion from inside to the surrounding atmosphere. These connections are known as ignition gaps.

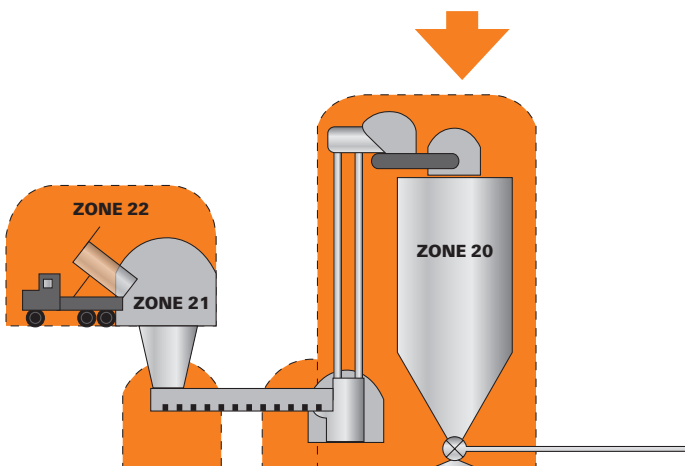
Area classification



Gas groups

| | |
|-----|---------------|
| IIA | e.g. Propane |
| IIB | e.g. Etyhlene |
| IIC | e.g. Hydrogen |

| Equipment group acc. to directive 2014/34/EU | Equipment category acc. to directive 2014/34/EU | Classification of hazardous areas acc. to directive 1999/92/EG | Group acc. to IEC/EN 60079-0 | Combustible materials | Equipment protection level (EPL acc. to IEC/EN 60079-0) |
|--|--|--|------------------------------|---------------------------|---|
| I Mining | M1 very high level of protection; remain functional at occurrence of Ex-atmosphere | | I | Methane, Carbon dust | Ma |
| | M2 high level of protection; de-energized at occurrence of Ex-atmosphere | | I | | Mb |
| II Other industries (except mining) | 1 very high level of protection; save even in an event of rare incidents | 0 | II | Gases, Vapours, Mists (G) | Ga |
| | 2 high level of protection; save even in an event of predictable failures | 1 | II | | Gb |
| | 3 normal level of protection; save during normal operation | 2 | II | | Gc |
| II Other industries (except mining) | 1 very high level of protection; save even in an event of rare incidents | 20 | III | Dust (D) | Da |
| | 2 high level of protection; save even in an event of predictable failures | 21 | III | | Db |
| | 3 normal level of protection; save during normal operation | 22 | III | | Dc |



Dust groups

| | |
|------|---------------------|
| IIIA | Combustible flyings |
| IIIB | Non-conductive dust |
| IIIC | Conductive dust |

Types of Protection

Types of protection for electrical equipment in explosive gas atmospheres

| Type of protection | Symbol | Main application | Norm |
|------------------------|----------------------|--|---|
| increased safety | eb | junction boxes, control stations for installing Ex-components (with a different type of protection), squirrel-cage motors, light fittings | IEC 60079-7 EN 60079-7 ISA 60079-7 |
| flameproof enclosures | db | switchgears, control stations, indicating equipment, control systems, motors, transformers, heating equipment, light fittings | IEC 60079-1 EN 60079-1 ISA 60079-1 |
| pressurized enclosures | pxb pyb pzc | switchgear and control cabinets, analysers, large motors | IEC 60079-2 EN 60079-2 ISA 60079-2 |
| intrinsic safety | ia ib ic | instrumentation technology, fieldbus technology, sensors, actuators [Ex ib] = associated electrical apparatus - installation in the safe area | IEC 60079-11 EN 60079-11 ISA 60079-11 |
| | | intrinsically safe systems | IEC 60079-25 EN 60079-25 |
| | | FISCO: fieldbus intrinsically-safe concept | IEC 60079-27 EN 60079-27 ISA 60079-27 |
| oil immersion | ob | transformers, starting resistors | IEC 60079-6 EN 60079-6 ISA 60079-6 |
| powder filling | qb | sensors, display units, electronic ballasts, transmitters | IEC 60079-5 EN 60079-5 ISA 60079-5 |
| encapsulation | ma mb mc | switchgear with small capacity, control and signalling units, display units, sensors | IEC 60079-18 EN 60079-18 ISA 60079-18 |
| type of protection "n" | nAc nCc nRc | all electrical equipment for Zone 2 nA = non-sparking device nC = sparking devices and components nL = energy limited apparatus nR = restricted breathing enclosures | IEC 60079-15 EN 60079-15 ISA 60079-15 |
| optical radiation | op_a op_b op_c | op is = inherently safe optical radiation | IEC 60079-28 EN 60079-28 |
| | | op pr = protected optical radiation | |
| | | op sh = optical radiation interlock | |

Types of protection for electrical equipment in explosive dust atmospheres

| Type of protection | Symbol | Main application | Norm | | |
|--------------------------|----------------|--|---|--|---|
| protection by enclosures | ta tb tc | switchgear, control stations, junction boxes, control boxes, motors, light fittings | IEC 60079-31 EN 60079-31 ISA 60079-31 | | |
| pressurization | pb pc | switchgear and control cabinets, motors | IEC 60079-2 EN 60079-2 ISA 60079-2 | | |
| intrinsic safety | ia ib ic | instrumentation technology, fieldbus technology, sensors, actuators [Ex ib] = associated electrical apparatus - installation in the safe area | IEC 60079-11 EN 60079-11 ISA 60079-11 | | |
| | | encapsulation | ma mb mc | switchgear with small capacity, control and signalling units, display units, sensors | IEC 60079-18 EN 60079-18 ISA 60079-18 |

Temperature class

Classification of the maximum surface temperatures into temperature classes for electrical equipment of group II

| Temperature class ATEX/IECEx | Temperature class NEC/UL (AEx) | Maximum surface temperature | |
|------------------------------|--------------------------------|-----------------------------|--------|
| T1 | T1 | 450 °C | 842 °F |
| T2 | T2 | 300 °C | 572 °F |
| | T2A | 280 °C | 536 °F |
| | T2B | 260 °C | 500 °F |
| | T2C | 230 °C | 446 °F |
| T3 | T2D | 215 °C | 419 °F |
| | T3 | 200 °C | 392 °F |
| | T3A | 180 °C | 356 °F |
| | T3B | 165 °C | 329 °F |
| T4 | T3C | 160 °C | 320 °F |
| | T4 | 135 °C | 275 °F |
| | T4A | 120 °C | 248 °F |
| T5 | T5 | 100 °C | 212 °F |
| T6 | T6 | 85 °C | 185 °F |
| IEC/DIN EN 60079-0 | NEC500ff | °C | °F |

Certifications worldwide

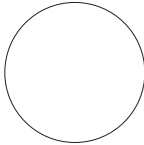


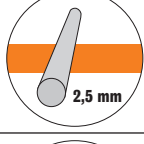
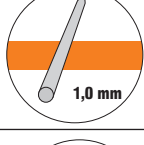




IP class of protection to DIN EN 60529

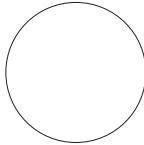
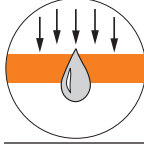
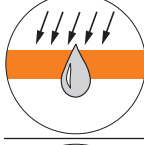
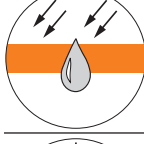
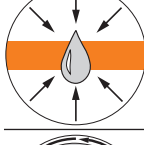

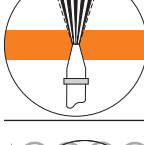
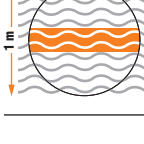
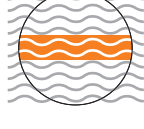
The ingress protection class or IP rating is indicated by a code consisting of the two letters IP and two digits representing the class of protection.

Example: **IP 65**
 | |
 2nd digit: protection from liquids
 1st digit: protection from solid bodies

Protection against intrusion of external particle matter (1st digit)

| Code digit | | |
|------------|---|--|
| 0 |  | No protection |
| 1 |  | Protection against ingress of large solid bodies with diameter > 50 mm. (Protection to prevent dangerous parts being touched with the back of the hand.) |
| 2 |  | Protection against ingress of large solid bodies with diameter > 12.5 mm. (Protection to prevent dangerous parts being touched with the fingers.) |
| 3 |  | Protection against ingress of large solid bodies with diameter > 2.5 mm. (Protection to prevent dangerous parts being touched with a tool.) |
| 4 |  | Protection against ingress of large solid bodies with diameter > 1 mm. (Protection to prevent dangerous parts being touched with a piece of wire.) |
| 5 |  | Protection against harmful deposits of dust, which cannot enter in an amount sufficient to interfere with satisfactory operation. |
| 6 |  | Complete protection against ingress of dust. |

Protection against penetration of liquids (2nd digit)

| Code digit | | |
|------------|--|--|
| 0 |  | No protection |
| 1 |  | Protection against drops of condensed water falling vertically. |
| 2 |  | Protection against drops of liquid falling at an angle of 15° with respect to the vertical. |
| 3 |  | Protection against drops of liquid falling at an angle of 60° with respect to the vertical. |
| 4 |  | Protection against liquids splashed from any direction. |
| 5 |  | Protection against water jets projected by a nozzle from any direction. |
| 6 |  | Protection against water from heavy sea on ships' decks. |
| 7 |  | Protection against immersion in water under defined conditions of pressure and time. |
| 8 |  | Protection against indefinite immersion in water under defined conditions of pressure (which must be agreed between manufacturer and user and must be more adverse than number 7). |

Definition of the protection degrees according to NEMA, UL and CSA

| Type | NEMA | UL | CSA |
|----------------|--|--|--|
| Designation | National Electrical Manufacturers Association NEMA 250-1991 | Underwriters Laboratories Inc. UL 50 und UL 508 | Canadian Standards Association CSA-C22.2 No. 94-M91 |
| Type 1 | Enclosure predominately for indoor use. Protection against penetration by solid foreign bodies. | Enclosure predominately for indoor use. Protection against penetration by solid foreign bodies. | Enclosure for general use. Protection against accidental contact with live components. |
| Type 2 | Enclosure predominately for indoor use. Protection against penetration by solid foreign bodies and water. | Enclosure predominately for indoor use. Protection against penetration by solid foreign bodies and water. | Enclosure for indoor use. Protection against non-corrosive drops/splashes of liquid and foreign bodies. |
| Type 3 | Enclosure predominately for indoor use. Protection against penetration by rainfall and dust as well as damage due to ice formation. | Enclosure predominately for indoor use. Protection against penetration by rainfall and dust as well as damage due to ice formation. | Enclosure for indoor or outdoor use. Protection against penetration by rainfall and snow as well as damage due to ice formation. |
| Type 3R | Enclosure predominately for indoor use. Protection against rain and snow as damage due to ice-formation. | Enclosure predominately for indoor use. Protection against rain and snow as damage due to ice-formation. | Enclosure for indoor or outdoor use. Protection against penetration by rainfall and snow as well as damage due to ice formation. |
| Type 3S | Enclosure predominately for indoor use. Protection against rain, snow and foreign bodies. External mechanisms can be operated despite ice accumulation. | Enclosure predominately for indoor use. Protection against rain, snow and foreign bodies. External mechanisms can be operated despite ice accumulation. | Enclosure for indoor or outdoor use. Protection against rain, snow and foreign bodies. External mechanisms can be operated despite ice accumulation. |
| Type 4 | Enclosure for indoor or outdoor use. Protection against rain, foreign bodies, splashing water and hose water as well as damage due to ice-formation on the outside of the enclosure. | Enclosure for indoor or outdoor use. Protection against rain, foreign bodies, splashing water and hose water as well as damage due to ice-formation on the outside of the enclosure. | Enclosure for indoor or outdoor use. Protection against rain, snow, foreign bodies, splashing water and hose water as well as damage due to ice-formation on the outside of the enclosure. |
| Type 4X | Enclosure for indoor or outdoor use. Protection against corrosion, rain, foreign bodies, splashing water and hose water as well as damage due to ice-formation on the outside of the enclosure. | Enclosure for indoor or outdoor use. Protection against corrosion, rain, foreign bodies, splashing water and hose water as well as damage due to ice-formation on the outside of the enclosure. | Enclosure for indoor or outdoor use. Protection against rain, foreign bodies, splashing water and hose water as well as damage due to ice-formation on the outside of the enclosure. |
| Type 6 | Enclosure for indoor or outdoor use. Protection against hose water as well as against penetration by water during immersion; protection damage due to ice formation on the outside of the enclosure. | Enclosure for indoor or outdoor use. Protection against hose water as well as against penetration by water during immersion; protection damage due to ice formation on the outside of the enclosure. | Enclosure for indoor or outdoor use. Protection against penetration by water during immersion; protection damage due to ice formation on the outside of the enclosure. |
| Type 12 | Enclosure for indoor use. Protection against dust accumulation, foreign bodies and non-corrosive drops of liquids. | Enclosure for indoor use. Protection against dust accumulation, foreign bodies and non-corrosive drops of liquids. | Enclosure for indoor or outdoor use. Protection against a build-up of dust, fibres and foreign bodies as well as against non-corrosive liquid drips, without pre-formed openings. |
| Type 13 | Enclosure for indoor use. Protection against dust build-up, splashing water, oil, and non-corrosive coolants. | Enclosure for indoor use. Protection against dust build-up, splashing water, oil, and non-corrosive coolants. | Enclosure for indoor or outdoor use. Protection against a build-up of dust, fibres and foreign bodies as well as against non-corrosive liquid sprays including oil and coolants. |

Guidelines for selecting cable glands

The sizes quoted were based on stranded cables. Please note the clamping range for the cable gland you have selected.

| Cross-section | No. of conductors | Cable ø approx. mm | Metric cable glands | PG |
|--------------------------------|-------------------|--------------------|---------------------|---------------|
| 0.5 mm ² AWG 20 | 2 | 5.7 - 8.7 | 12 16 20 | 9 |
| | 3 | 6.0 - 9.0 | 12 16 20 | 9 |
| | 4 | 6.7 - 9.7 | 12 16 20 | 9 11 |
| | 5 | 7.2 - 10.2 | 16 20 | 9 11 13.5 16 |
| | 6 | 7.6 - 10.6 | 16 20 | 9 11 13.5 16 |
| | 7 | 8.0 - 10.6 | 16 20 | 9 11 13.5 16 |
| | 8 | 9.4 - 12.8 | 16 20 25 | 9 11 13.5 16 |
| | 10 | 9.4 - 12.8 | 16 20 25 | 9 11 13.5 16 |
| | 12 | 9.7 - 12.9 | 16 20 25 | 9 11 13.5 16 |
| | 14 | 10.2 - 13.4 | 20 25 | 11 13.5 16 |
| | 16 | 10.7 - 13.9 | 20 25 | 11 13.5 16 |
| | 21 | 12.3 - 15.1 | 20 25 | 13.5 16 21 |
| | 24 | 13.5 - 16.7 | 25 32 | 13.5 16 21 |
| | 30 | 14.3 - 17.5 | 25 32 | 16 21 |
| | 35 | 16.0 - 18.6 | 25 32 | 21 |
| | 40 | 16.6 - 19.2 | 25 32 40 | 21 |
| | 52 | 19.2 - 21.6 | 32 40 | 21 29 |
| | 61 | 20.3 - 23.1 | 32 40 | 21 29 |
| 80 | 22.9 - 25.7 | 32 40 | 29 36 | |
| 100 | 26.4 - 29.6 | 40 50 | 29 36 | |
| 0.75 mm ² AWG 18 | 2 | 6.8 - 9.8 | 12 16 20 | 9 11 |
| | 3 | 7.2 - 9.7 | 12 16 20 | 9 11 |
| | 4 | 7.9 - 10.3 | 12 16 20 | 9 11 |
| | 5 | 8.9 - 10.9 | 16 20 | 9 11 13.5 16 |
| | 6 | 8.9 - 12.3 | 16 20 25 | 9 11 13.5 16 |
| | 7 | 9.6 - 12.3 | 16 20 25 | 9 11 13.5 16 |
| | 8 | 10.4 - 13.8 | 20 25 | 11 13.5 16 |
| | 9 | 10.7 - 13.9 | 20 25 | 11 13.5 16 |
| | 10 | 10.4 - 13.8 | 20 25 | 11 13.5 16 |
| | 12 | 10.7 - 13.9 | 20 25 | 11 13.5 16 |
| | 15 | 12.3 - 13.5 | 20 25 | 13.5 16 |
| | 18 | 13.0 - 16.2 | 25 32 | 13.5 16 21 |
| | 21 | 13.6 - 16.8 | 25 32 | 13.5 16 21 |
| | 25 | 15.9 - 18.5 | 25 32 | 21 29 |
| | 32 | 17.1 - 19.7 | 25 32 | 21 29 |
| | 40 | 19.0 - 21.4 | 32 40 | 21 29 |
| | 50 | 21.3 - 24.1 | 32 40 | 21 29 |
| | 61 | 22.6 - 25.4 | 40 | 21 29 36 |
| 80 | 26.1 - 29.3 | 40 50 | 29 36 | |
| 100 | 29.4 - 33.0 | 40 50 | 36 | |
| 1 mm ² AWG 16-18 | 2 | 7.1 - 10.1 | 12 16 20 | 9 11 |
| | 3 | 7.5 - 10.1 | 12 16 20 | 9 11 |
| | 4 | 8.4 - 10.7 | 16 20 | 9 11 13.5 |
| | 5 | 9.2 - 11.4 | 16 20 25 | 9 11 13.5 16 |
| | 6 | 9.2 - 12.6 | 16 20 25 | 9 11 13.5 16 |
| | 7 | 9.2 - 12.6 | 16 20 25 | 9 11 13.5 16 |
| | 8 | 11.0 - 14.4 | 20 25 | 11 13.5 16 21 |
| | 9 | 11.8 - 15.2 | 20 25 32 | 11 13.5 16 21 |
| | 10 | 11.0 - 14.4 | 20 25 32 | 11 13.5 16 21 |
| | 12 | 11.8 - 14.6 | 20 25 32 | 11 13.5 16 21 |
| | 14 | 12.4 - 15.2 | 20 25 32 | 13.5 16 21 |
| | 16 | 13.0 - 16.2 | 25 32 | 13.5 16 21 |
| | 18 | 13.7 - 16.9 | 25 32 | 13.5 16 21 |
| | 20 | 14.4 - 17.6 | 25 32 40 | 16 21 |
| | 24 | 16.5 - 19.1 | 25 32 40 | 21 29 |
| | 25 | 16.9 - 19.5 | 25 32 40 | 21 29 |
| | 34 | 19.4 - 21.8 | 32 40 | 21 29 |
| | 48 | 22.0 - 24.8 | 40 | 21 29 |
| 56 | 23.2 - 26.0 | 40 50 | 21 29 36 | |
| 61 | 24.5 - 27.2 | 40 50 | 29 36 | |
| 80 | 27.7 - 30.9 | 40 50 | 36 | |
| 100 | 31.8 - 35.2 | 40 50 63 | 36 42 | |

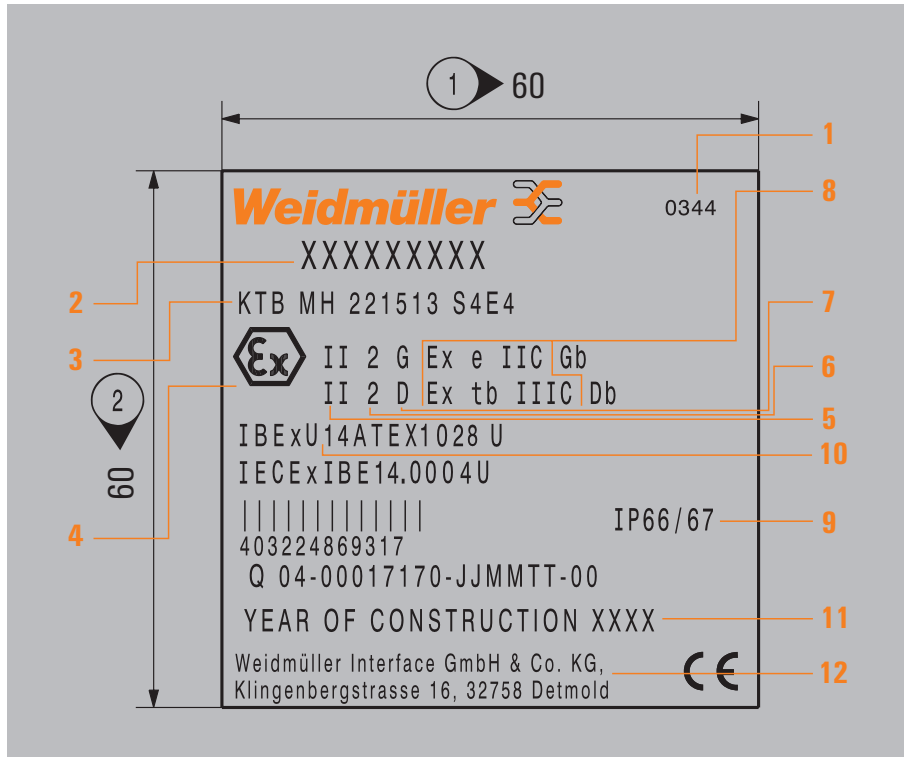
| Cross-section | No. of conductors | Cable ø approx. mm | Metric cable glands | | | | PG | | | | | |
|----------------------------------|-------------------|--------------------|---------------------|----|----|----|------|------|----|----|----|----|
| 1.5 mm ² AWG 16 | 2 | 8.0 - 11.0 | 12 | 16 | 20 | 9 | 11 | 13.5 | 16 | | | |
| | 3 | 8.7 - 11.0 | 16 | 20 | 25 | 9 | 11 | 13.5 | 16 | | | |
| | 4 | 9.7 - 11.8 | 16 | 20 | 25 | 9 | 11 | 13.5 | 16 | | | |
| | 5 | 10.8 - 13.0 | | 20 | 25 | | 11 | 13.5 | 16 | | | |
| | 6 | 10.8 - 14.2 | | 20 | 25 | | 11 | 13.5 | 16 | | | |
| | 7 | 10.8 - 14.2 | | 20 | 25 | | 11 | 13.5 | 16 | | | |
| | 8 | 13.2 - 16.6 | | | 25 | 32 | | 13.5 | 16 | 21 | | |
| | 11 | 13.6 - 16.8 | | | 25 | 32 | | 13.5 | 16 | 21 | | |
| | 12 | 17.6 - 16.8 | | | 25 | 32 | | 13.5 | 16 | 21 | | |
| | 14 | 14.4 - 17.6 | | | 25 | 32 | | | 16 | 21 | | |
| | 16 | 15.8 - 18.4 | | | 25 | 32 | | | 16 | 21 | | |
| | 18 | 16.6 - 19.2 | | | 25 | 32 | | | 21 | 29 | | |
| | 20 | 17.4 - 20.0 | | | 25 | 32 | 40 | | 21 | 29 | | |
| | 25 | 20.2 - 23.0 | | | | 32 | 40 | | 21 | 29 | | |
| | 32 | 23.8 - 24.5 | | | | | 40 | | | 29 | 36 | |
| | 34 | 22.6 - 25.4 | | | | | 40 | | | 29 | 36 | |
| | 42 | 25.8 - 29.0 | | | | | 40 | 50 | | 29 | 36 | |
| | 50 | 27.0 - 30.2 | | | | | 40 | 50 | | 29 | 36 | |
| | 56 | 27.8 - 31.0 | | | | | 40 | 50 | | 29 | 36 | |
| | 61 | 28.6 - 31.8 | | | | | 40 | 50 | | | 36 | |
| 80 | 33.0 - 36.4 | | | | | | 50 | 63 | | 36 | 42 | |
| 90 | 34.6 - 37.6 | | | | | | 50 | 63 | | 36 | 42 | |
| 100 | 37.8 - 41.4 | | | | | | 50 | 63 | | | 42 | |
| 2.5 mm ² AWG 12-14 | 2 | 9.8 - 12.8 | 16 | 20 | 25 | 9 | 11 | 13.5 | 16 | | | |
| | 3 | 10.6 - 13.4 | | 20 | 25 | | 11 | 13.5 | 16 | | | |
| | 4 | 11.7 - 14.4 | | 20 | 25 | | 11 | 13.5 | 16 | | | |
| | 5 | 13.0 - 16.4 | | 20 | 25 | 32 | | 13.5 | 16 | 21 | | |
| | 6 | 13.3 - 16.7 | | | 25 | 32 | | 13.5 | 16 | 21 | | |
| | 7 | 13.3 - 16.7 | | | 25 | 32 | | 13.5 | 16 | 21 | | |
| | 8 | 17.4 - 20.8 | | | 25 | 32 | 40 | | 21 | 29 | | |
| | 11 | 18.0 - 20.6 | | | 25 | 32 | 40 | | 21 | 29 | | |
| | 16 | 20.6 - 23.4 | | | | 32 | 40 | | 21 | 29 | | |
| | 18 | 21.7 - 24.5 | | | | | 40 | | | 29 | 36 | |
| | 25 | 26.4 - 29.6 | | | | | 40 | 50 | | 29 | 36 | |
| | 34 | 31.3 - 33.1 | | | | | 40 | 50 | | | 36 | 42 |
| | 50 | 37.0 - 39.4 | | | | | | 50 | 63 | | | 42 |
| 61 | 39.0 - 41.5 | | | | | | 50 | 63 | | | 42 | |
| 4 mm ² AWG 10-12 | 2 | 10.7 - 14.1 | 20 | 25 | | 11 | 13.5 | 16 | 21 | | | |
| | 4 | 13.0 - 16.4 | | 25 | 32 | | 13.5 | 16 | 21 | | | |
| | 5 | 14.3 - 17.7 | | 25 | 32 | | 16 | 21 | | | | |
| | 7 | 16.2 - 19.6 | | 25 | 32 | | | 21 | 29 | 36 | | |
| | 11 | ca. 24.5 | | | | 40 | | | 29 | 36 | | |

Note:

The values can differ between manufacturers. These figures should be considered as rough guidelines.

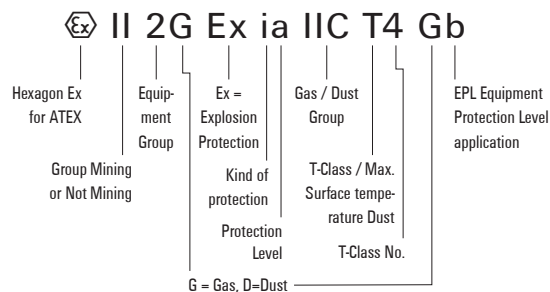
Ratings plate of an Ex-certified empty enclosure

- 1 Number of the notified body
- 2 Part No.
- 3 Part designation
- 4 Ex marking
- 5 Equipment group
- 6 Device category
- 7 • G Gas (gas)
• D flammable dust
- 8 Explosion protection type
- 9 IP ingress protection class (DIN EN 60529)
- 10 EC type-examination certificate
- 11 Year of manufacture
- 12 Name and address of manufacturer



Type label for enclosure assemblies

- 1 Certification conditions and logo
- 2 Name and address of manufacturer
- 3 Approval number
- 4 Part designation
- 5 Part No.
- 6 Serial number
- 7 Year of Construction
- 8 IP ingress protection class
- 9 Ambient temperature
- 10 Approval number
- 11 Ex marking
Example:



Weidmüller

Weidmüller Interface GmbH & Co. KG **2**
Klingenbergstr. 16 – D 32758 Detmold

4 Type: Klippon TB MH 303020
5 P/N: 9876543219
6 S/N: XA-DE-A-0000
7 Year of Construction: 2018

8 IP 66

Rated voltage: 600 [V] Cable size: 4 [mm²]
Rated current: 21 [A] **9** T amb: - 20 °C ... + 55 °C

11 Class I Zone 1 AEx e IIC T4 Gb

1

Junction Box for HAZ. LOC.
E223792
3

NEMA TYPE: 4x

W A R N I N G - DO NOT OPEN WHEN ENERGIZED

Weidmüller

Weidmüller Interface GmbH & Co. KG **2**
Klingenbergstr. 16 – D 32758 Detmold

4 Type: Klippon TB MH 303020
5 P/N: 9876543219
6 S/N: XA-DE-A-0000
7 Year of Construction: 2018

8 IP 66

Rated voltage: 600 [V] Cable size: 4 [mm²]
Rated current: 21 [A] **9** T amb: - 20 °C ... + 55 °C

10 IBExU14ATEX1050
11 II 2G Ex eb IIC T4 Gb

10 IECEx IBE 14.0013
11 Ex eb IIC T4 Gb

1

0344

W A R N I N G - DO NOT OPEN WHEN ENERGIZED

Index

| | | |
|--------------|---------------------|------|
| Index | Index Type | X.2 |
| | Index Order No. | X.11 |
| | Addresses worldwide | X.20 |

| Type | Order No. | Page |
|-------------------------|------------|-------|
| A | | |
| ADAP EX M20-M16 | 1737560000 | C.153 |
| ADAP EX M20-M16 | 1737560000 | C.154 |
| ADAP EX M20-M16 | 1737560000 | C.155 |
| ADAP EX M20-M16 | 1737560000 | C.156 |
| B | | |
| BK 4/E | 7906080000 | C.116 |
| C | | |
| CABTITE BP 10MM PA | 2652380000 | E.8 |
| CABTITE BP 12MM PA | 2652400000 | E.8 |
| CABTITE BP 13MM PA | 2652410000 | E.8 |
| CABTITE BP 14MM PA | 2652420000 | E.8 |
| CABTITE BP 17MM PA | 2652430000 | E.8 |
| CABTITE BP 20MM PA | 2652440000 | E.8 |
| CABTITE BP 21MM PA | 2652450000 | E.8 |
| CABTITE BP 25MM PA | 2652460000 | E.8 |
| CABTITE BP 28MM PA | 2652470000 | E.8 |
| CABTITE BP 2MM PA | 2652300000 | E.8 |
| CABTITE BP 35MM PA | 2652480000 | E.8 |
| CABTITE BP 3MM PA | 2652310000 | E.8 |
| CABTITE BP 4MM PA | 2652320000 | E.8 |
| CABTITE BP 5MM PA | 2652330000 | E.8 |
| CABTITE BP 6MM PA | 2652340000 | E.8 |
| CABTITE BP 7MM PA | 2652350000 | E.8 |
| CABTITE BP 8MM PA | 2652360000 | E.8 |
| CABTITE BP 9MM PA | 2652370000 | E.8 |
| CABTITE BSE LR6 BK | 2583900000 | E.4 |
| CABTITE BSE LR6 GY | 2584520000 | E.4 |
| CABTITE BSE SML BK | 2584790000 | E.4 |
| CABTITE BSE SML GY | 2583350000 | E.4 |
| CABTITE CGS M20 BK | 2584200000 | E.7 |
| CABTITE CGS M25 BK | 2584180000 | E.7 |
| CABTITE CGS M32 BK | 2584160000 | E.7 |
| CABTITE CGS M40 BK | 2584150000 | E.7 |
| CABTITE CGS M50 BK | 2584130000 | E.7 |
| CABTITE CGS M63 BK | 2584120000 | E.7 |
| CABTITE CR 10/6 EMV | 2583930000 | E.8 |
| CABTITE CR 16/8 EMV | 2583910000 | E.8 |
| CABTITE CR 24/10 EMV | 2583890000 | E.8 |
| CABTITE CR 4/1 EMV | 2583950000 | E.8 |
| CABTITE CSE 2-11 SML BK | 2583510000 | E.4 |
| CABTITE CSE 7-24 LR6 BK | 2583500000 | E.4 |
| CABTITE FR 10/6 BK | 2583480000 | E.5 |
| CABTITE FR 10/6 BK SET | 2583760000 | E.6 |
| CABTITE FR 16/8 BK | 2583470000 | E.6 |
| CABTITE FR 16/8 BK SET | 2583740000 | E.6 |
| CABTITE FR 24/10 BK | 2583460000 | E.6 |
| CABTITE FR 24/10 BK SET | 2583720000 | E.6 |
| CABTITE FR 4-1 BK | 2583490000 | E.6 |
| CABTITE FR 4-1 BK SET | 2583780000 | E.6 |
| CABTITE FRL 10/6 BK | 2584240000 | E.6 |
| CABTITE FRL 16/8 BK | 2584220000 | E.6 |
| CABTITE FRL 24/10 BK | 2584210000 | E.6 |
| CABTITE FRL 4-1 BK | 2584260000 | E.6 |
| CABTITE GI H BK | 2584270000 | E.7 |
| CABTITE GI T BK | 2584320000 | E.7 |
| CABTITE GI X BK | 2584300000 | E.7 |
| CABTITE LNS M20 BK | 2584110000 | E.7 |
| CABTITE LNS M25 BK | 2584090000 | E.7 |
| CABTITE LNS M32 BK | 2584070000 | E.7 |
| CABTITE LNS M40 BK | 2584050000 | E.7 |
| CABTITE LNS M50 BK | 2584030000 | E.7 |
| CABTITE LNS M63 BK | 2584010000 | E.7 |
| CABTITE SC MSX25 SET | 2635120000 | E.6 |
| CABTITE SC MSX25 SET | 2635120000 | E.6 |
| CABTITE SE 1.52 SML BK | 2584780000 | E.4 |
| CABTITE SE 1.52 SML GY | 2583360000 | E.4 |
| CABTITE SE 1/ASI SML BK | 2583530000 | E.4 |
| CABTITE SE 1/ASI SML GY | 2584810000 | E.4 |
| CABTITE SE 10-11 SML BK | 2584060000 | E.4 |
| CABTITE SE 10-11 SML GY | 2584610000 | E.4 |
| CABTITE SE 11-12 SML BK | 2584040000 | E.4 |
| CABTITE SE 11-12 SML GY | 2584600000 | E.4 |
| CABTITE SE 12-13 SML BK | 2584020000 | E.4 |
| CABTITE SE 12-13 SML GY | 2584590000 | E.4 |
| CABTITE SE 13-14 SML BK | 2584000000 | E.4 |
| CABTITE SE 13-14 SML GY | 2584570000 | E.4 |
| CABTITE SE 14-15 LR6 BK | 2583880000 | E.4 |
| CABTITE SE 14-15 LR6 GY | 2584510000 | E.4 |
| CABTITE SE 14-15 SML BK | 2583980000 | E.4 |
| CABTITE SE 14-15 SML GY | 2584560000 | E.4 |
| CABTITE SE 15-16 LR6 BK | 2583860000 | E.4 |
| CABTITE SE 15-16 LR6 GY | 2584500000 | E.4 |
| CABTITE SE 15-16 SML BK | 2583960000 | E.4 |
| CABTITE SE 15-16 SML GY | 2584550000 | E.4 |
| CABTITE SE 16-17 LR6 BK | 2583850000 | E.4 |
| CABTITE SE 16-17 LR6 GY | 2584490000 | E.4 |
| CABTITE SE 17-18 LR6 BK | 2583840000 | E.4 |
| CABTITE SE 17-18 LR6 GY | 2584480000 | E.4 |
| CABTITE SE 18-19 LR6 BK | 2583830000 | E.4 |
| CABTITE SE 18-19 LR6 GY | 2584470000 | E.4 |
| CABTITE SE 19-20 LR6 BK | 2583810000 | E.4 |
| CABTITE SE 19-20 LR6 GY | 2584460000 | E.4 |

| Type | Order No. | Page |
|-------------------------|------------|------|
| CABTITE SE 2-3 SML BK | 2584760000 | E.4 |
| CABTITE SE 2-3 SML GY | 2583380000 | E.4 |
| CABTITE SE 2/4-5 SML BK | 2583620000 | E.4 |
| CABTITE SE 2/4-5 SML GY | 2584900000 | E.4 |
| CABTITE SE 2/5-6 SML BK | 2583610000 | E.4 |
| CABTITE SE 2/5-6 SML GY | 2584890000 | E.4 |
| CABTITE SE 2/7 SML BK | 2583550000 | E.4 |
| CABTITE SE 2/7 SML GY | 2584830000 | E.4 |
| CABTITE SE 2/8 SML BK | 2583540000 | E.4 |
| CABTITE SE 2/8 SML GY | 2584820000 | E.4 |
| CABTITE SE 2/ASI SML BK | 2583520000 | E.4 |
| CABTITE SE 2/ASI SML GY | 2584800000 | E.4 |
| CABTITE SE 20-21 LR6 BK | 2583790000 | E.4 |
| CABTITE SE 20-21 LR6 GY | 2584450000 | E.4 |
| CABTITE SE 21-22 LR6 BK | 2583770000 | E.4 |
| CABTITE SE 21-22 LR6 GY | 2584440000 | E.4 |
| CABTITE SE 22-23 LR6 BK | 2583750000 | E.4 |
| CABTITE SE 22-23 LR6 GY | 2584430000 | E.4 |
| CABTITE SE 23-24 LR6 BK | 2583730000 | E.4 |
| CABTITE SE 23-24 LR6 GY | 2584420000 | E.4 |
| CABTITE SE 23-25 LR6 BK | 2583710000 | E.4 |
| CABTITE SE 24-25 LR6 GY | 2584410000 | E.4 |
| CABTITE SE 25-26 LR6 BK | 2583700000 | E.4 |
| CABTITE SE 25-26 LR6 GY | 2584400000 | E.4 |
| CABTITE SE 26-27 LR6 BK | 2583690000 | E.4 |
| CABTITE SE 26-27 LR6 GY | 2584390000 | E.4 |
| CABTITE SE 27-28 LR6 BK | 2583680000 | E.4 |
| CABTITE SE 27-28 LR6 GY | 2584370000 | E.4 |
| CABTITE SE 28-29 LR6 BK | 2583670000 | E.4 |
| CABTITE SE 28-29 LR6 GY | 2584350000 | E.4 |
| CABTITE SE 29-30 LR6 BK | 2583660000 | E.4 |
| CABTITE SE 29-30 LR6 GY | 2584340000 | E.4 |
| CABTITE SE 3-4 SML BK | 2584730000 | E.4 |
| CABTITE SE 3-4 SML GY | 2583400000 | E.4 |
| CABTITE SE 3/5-6 SML BK | 2652280000 | E.4 |
| CABTITE SE 3/5-6 SML GY | 2652290000 | E.4 |
| CABTITE SE 30-31 LR6 BK | 2583650000 | E.4 |
| CABTITE SE 30-31 LR6 GY | 2584360000 | E.4 |
| CABTITE SE 31-32 LR6 BK | 2583640000 | E.4 |
| CABTITE SE 31-32 LR6 GY | 2584340000 | E.4 |
| CABTITE SE 32-33 LR6 BK | 2583630000 | E.4 |
| CABTITE SE 32-33 LR6 GY | 2584920000 | E.4 |
| CABTITE SE 33-34 LR6 BK | 2583620000 | E.4 |
| CABTITE SE 33-34 LR6 GY | 2584910000 | E.4 |
| CABTITE SE 34-35 LR6 BK | 2583610000 | E.4 |
| CABTITE SE 34-35 LR6 GY | 2584900000 | E.4 |
| CABTITE SE 4-5 SML BK | 2584680000 | E.4 |
| CABTITE SE 4-5 SML GY | 2583440000 | E.4 |
| CABTITE SE 4/2-3 SML BK | 2583590000 | E.4 |
| CABTITE SE 4/2-3 SML GY | 2584870000 | E.4 |
| CABTITE SE 4/3-4 SML BK | 2583580000 | E.4 |
| CABTITE SE 4/3-4 SML GY | 2584860000 | E.4 |
| CABTITE SE 4/4-5 SML BK | 2583560000 | E.4 |
| CABTITE SE 4/4-5 SML GY | 2584840000 | E.4 |
| CABTITE SE 5-6 SML BK | 2584710000 | E.4 |
| CABTITE SE 5-6 SML GY | 2583450000 | E.4 |
| CABTITE SE 6-7 SML BK | 2584690000 | E.4 |
| CABTITE SE 6-7 SML GY | 2583460000 | E.4 |
| CABTITE SE 7-8 SML BK | 2584670000 | E.4 |
| CABTITE SE 7-8 SML GY | 2584660000 | E.4 |
| CABTITE SE 8-9 SML BK | 2584330000 | E.4 |
| CABTITE SE 8-9 SML GY | 2584650000 | E.4 |
| CABTITE SE 9-10 SML BK | 2584080000 | E.4 |
| CABTITE SE 9-10 SML GY | 2584630000 | E.4 |
| CABTITE TOOL ATSE PA | 2637360000 | E.5 |
| CABTITE TOOL ATSE PA | 2637360000 | E.6 |

D

| | | |
|-----------------|------------|-------|
| DAE M12 PA LONG | 1868570000 | C.52 |
| DAE M12 PA LONG | 1868570000 | C.53 |
| DAE M12 PA LONG | 1868570000 | C.54 |
| DAE M12 PA LONG | 1868570000 | C.55 |
| DAE M12 PA LONG | 1868570000 | C.56 |
| DAE M12 PA LONG | 1868570000 | C.57 |
| DAE M12 PA LONG | 1868570000 | C.58 |
| DAE M12 PA LONG | 1868570000 | C.59 |
| DAE M12 PA LONG | 1868570000 | C.60 |
| DAE M12 PA LONG | 1868570000 | C.61 |
| DAE M12 PA LONG | 1868570000 | C.62 |
| DAE M12 PA LONG | 1868570000 | C.68 |
| DAE M12 PA LONG | 1868570000 | C.69 |
| DAE M12 PA LONG | 1868570000 | C.70 |
| DAE M12 PA LONG | 1868570000 | C.71 |
| DAE M12 PA LONG | 1868570000 | C.72 |
| DAE M12 PA LONG | 1868570000 | C.73 |
| DAE M12 PA LONG | 1868570000 | C.74 |
| DAE M12 PA LONG | 1868570000 | C.75 |
| DAE M12 PA LONG | 1868570000 | C.76 |
| DAE M12 PA LONG | 1868570000 | C.77 |
| DAE M12 PA LONG | 1868570000 | C.78 |
| DAE M12 PA LONG | 1868570000 | C.79 |
| DAE M12 PA LONG | 1868570000 | C.80 |
| DAE M12 PA LONG | 1868570000 | C.81 |
| DAE M12 PA LONG | 1868570000 | C.82 |
| DAE M12 PA LONG | 1868570000 | C.83 |
| DAE M12 PA LONG | 1868570000 | C.84 |
| DAE M12 PA LONG | 1868570000 | C.85 |
| DAE M12 PA LONG | 1868570000 | C.86 |
| DAE M12 PA LONG | 1868570000 | C.87 |
| DAE M12 PA LONG | 1868570000 | C.88 |
| DAE M12 PA LONG | 1868570000 | C.89 |
| DAE M12 PA LONG | 1868570000 | C.90 |
| DAE M12 PA LONG | 1868570000 | C.91 |
| DAE M12 PA LONG | 1868570000 | C.98 |
| DAE M12 PA LONG | 1868570000 | C.99 |
| DAE M12 PA LONG | 1868570000 | C.100 |
| DAE M12 PA LONG | 1868570000 | C.101 |
| DAE M12 PA LONG | 1868570000 | C.102 |
| DAE M12 PA LONG | 1868570000 | C.103 |
| DAE M12 PA LONG | 1868570000 | C.104 |
| DAE M12 PA LONG | 1868570000 | C.105 |
| DAE M12 PA LONG | 1868570000 | C.106 |
| DAE M12 PA LONG | 1868570000 | C.107 |
| DAE M12 PA LONG | 1868570000 | C.108 |
| DAE M12 PA LONG | 1868570000 | C.109 |
| DAE M12 PA LONG | 1868570000 | C.110 |
| DAE M12 PA LONG | 1868570000 | C.111 |
| DAE M12 PA LONG | 1868570000 | C.112 |
| DAE M12 PA LONG | 1868570000 | C.113 |
| DAE M12 PA LONG | 1868570000 | C.114 |
| DAE M12 PA LONG | 1868570000 | C.115 |
| DAE M12 PA LONG | 1868570000 | C.116 |
| DAE M12 PA LONG | 1868570000 | C.117 |
| DAE M12 PA LONG | 1868570000 | C.118 |
| DAE M12 PA LONG | 1868570000 | C.119 |
| DAE M12 PA LONG | 1868570000 | C.120 |
| DAE M12 PA LONG | 1868570000 | C.121 |
| DAE M12 PA LONG | 1868570000 | C.122 |
| DAE M12 PA LONG | 1868570000 | C.123 |
| DAE M12 PA LONG | 1868570000 | C.124 |
| DAE M12 PA LONG | 1868570000 | C.125 |
| DAE M12 PA LONG | 1868570000 | C.126 |
| DAE M12 PA LONG | 1868570000 | C.127 |
| DAE M12 PA LONG | 1868570000 | C.128 |
| DAE M12 PA LONG | 1868570000 | C.129 |
| DAE M12 PA LONG | 1868570000 | C.130 |
| DAE M12 PA LONG | 1868570000 | C.131 |
| DAE M12 PA LONG | 1868570000 | C.132 |
| DAE M12 PA LONG | 1868570000 | C.133 |
| DAE M12 PA LONG | 1868570000 | C.134 |
| DAE M12 PA LONG | 1868570000 | C.135 |
| DAE M12 PA LONG | 1868570000 | C.136 |
| DAE M12 PA LONG | 1868570000 | C.137 |
| DAE M12 PA LONG | 1868570000 | C.138 |
| DAE M12 PA LONG | 1868570000 | C.139 |
| DAE M12 PA LONG | 1868570000 | C.140 |
| DAE M12 PA LONG | 1868570000 | C.141 |
| DAE M12 PA LONG | 1868570000 | C.142 |
| DAE M12 PA LONG | 1868570000 | C.143 |
| DAE M12 PA LONG | 1868570000 | C.144 |
| DAE M12 PA LONG | 1868570000 | C.145 |
| DAE M12 PA LONG | 1868570000 | C.146 |
| DAE M12 PA LONG | 1868570000 | C.147 |
| DAE M12 PA LONG | 1868570000 | C.148 |
| DAE M12 PA LONG | 1868570000 | C.149 |
| DAE M12 PA LONG | 1868570000 | C.150 |
| DAE M12 PA LONG | 1868570000 | C.151 |
| DAE M12 PA LONG | 1868570000 | C.152 |
| DAE M12 PA LONG | 1868570000 | C.153 |
| DAE M12 PA LONG | 1868570000 | C.154 |
| DAE M12 PA LONG | 1868570000 | C.155 |
| DAE M12 PA LONG | 1868570000 | C.156 |

| Type | Order No. | Page |
|-----------------|------------|-------|
| DAE M12 PA LONG | 1868570000 | C.107 |
| DAE M12 PA LONG | 18685700 | |

| Type | Order No. | Page | Type | Order No. | Page | Type | Order No. | Page | Type | Order No. | Page |
|--------------------------|------------|-------|--------------------------|------------|-------|--------------------------|------------|-------|--------------------------|------------|-------|
| KEBIKTBI MOPL 3030 MSZN | 1310410000 | C.53 | KLIIPPON COPL 121209 | 1390970000 | C.137 | KLIIPPON K11 | 0573300000 | C.116 | KLIIPPON K41 RAL7001 | 9529200000 | C.94 |
| KEBIKTBI MOPL 3030 MSZN | 1310410000 | C.54 | KLIIPPON COPL 122209 | 1390980000 | C.138 | KLIIPPON K11 2M16AB CSS | 8000004149 | C.116 | KLIIPPON K41 RAL7001 | 9529200000 | C.107 |
| KEBIKTBI MOPL 3030 S2N | 1310320000 | C.53 | KLIIPPON COPL 161609 | 1390990000 | C.139 | KLIIPPON K11 2M20AB CSS | 8000004150 | C.116 | KLIIPPON K41 VMQ | 1939640000 | C.94 |
| KEBIKTBI MOPL 3030 S2N | 1310320000 | C.54 | KLIIPPON COPL 162609 | 1391000000 | C.140 | KLIIPPON K11 EX | 9526850000 | C.94 | KLIIPPON K41 VMQ | 1939640000 | C.107 |
| KEBIKTBI MOPL 4030 MSZN | 1310420000 | C.55 | KLIIPPON COPL 163609 | 1391010000 | C.141 | KLIIPPON K11 EX RAL7001 | 1329640000 | C.94 | KLIIPPON K41 VMQ RAL7001 | 1937800000 | C.94 |
| KEBIKTBI MOPL 4030 MSZN | 1310420000 | C.56 | KLIIPPON COPL 165609 | 1391020000 | C.142 | KLIIPPON K11 M16ACSS EX | 8000004207 | C.116 | KLIIPPON K41 VMQ RAL7001 | 1937800000 | C.107 |
| KEBIKTBI MOPL 4030 S2N | 1310330000 | C.55 | KLIIPPON COPL 252512/16 | 1391030000 | C.143 | KLIIPPON K11 M16ZCSS EX | 8000004204 | C.116 | KLIIPPON K5 | 0342400000 | C.94 |
| KEBIKTBI MOPL 4030 S2N | 1310330000 | C.56 | KLIIPPON COPL 252512/16 | 1391030000 | C.144 | KLIIPPON K11 M20ACSS EX | 8000004209 | C.116 | KLIIPPON K5 | 0342400000 | C.108 |
| KEBIKTBI MOPL 4040 MSZN | 1310430000 | C.57 | KLIIPPON COPL 254012/16 | 1391040000 | C.145 | KLIIPPON K11 M20ZCSS EX | 8000004208 | C.116 | KLIIPPON K5 | 0342400000 | C.116 |
| KEBIKTBI MOPL 4040 S2N | 1310340000 | C.57 | KLIIPPON COPL 254012/16 | 1391040000 | C.146 | KLIIPPON K11 RAL7001 | 9529130000 | C.94 | KLIIPPON K5 4M20AB CSS | 8000004158 | C.116 |
| KEBIKTBI MOPL 4040 MSZN | 1310440000 | C.58 | KLIIPPON COPL 256012 | 1391050000 | C.147 | KLIIPPON K11 RAL7001 | 9529130000 | C.100 | KLIIPPON K5 4M20WCSS EX | 8000004218 | C.116 |
| KEBIKTBI MOPL 5040 S2N | 1310350000 | C.58 | KLIIPPON COPL 404012 | 1391070000 | C.148 | KLIIPPON K11 VMQ | 1939570000 | C.94 | KLIIPPON K5 4M20ZCSS EX | 8000004219 | C.116 |
| KEBIKTBI MOPL 5050 MSZN | 1310450000 | C.59 | KLIIPPON CS K41-1 | 1537470000 | C.122 | KLIIPPON K11 VMQ | 1939570000 | C.100 | KLIIPPON K5 EX | 9526930000 | C.94 |
| KEBIKTBI MOPL 5050 S2N | 1310360000 | C.59 | KLIIPPON CS K41-1 | 1537480000 | C.122 | KLIIPPON K11 VMQ RAL7001 | 1937910000 | C.94 | KLIIPPON K5 EX RAL7001 | 1329720000 | C.94 |
| KEBIKTBI MOPL 6040 MSZN | 1310460000 | C.60 | KLIIPPON CS K41-1 | 1537490000 | C.123 | KLIIPPON K11 VMQ RAL7001 | 1937910000 | C.100 | KLIIPPON K5 RAL7001 | 9529210000 | C.94 |
| KEBIKTBI MOPL 6040 S2N | 1310370000 | C.60 | KLIIPPON CS K41-1 | 1537500000 | C.123 | KLIIPPON K2 | 0342100000 | C.94 | KLIIPPON K5 RAL7001 | 9529210000 | C.108 |
| KEBIKTBI MOPL 6060 MSZN | 1310470000 | C.61 | KLIIPPON CS K41-4 | 1537510000 | C.123 | KLIIPPON K2 | 0342100000 | C.101 | KLIIPPON K5 VMQ | 1939650000 | C.94 |
| KEBIKTBI MOPL 6060 S2N | 1310380000 | C.61 | KLIIPPON CS K41-4 | 1537520000 | C.124 | KLIIPPON K2 | 0342100000 | C.116 | KLIIPPON K5 VMQ | 1939650000 | C.108 |
| KEBIKTBI MOPL 8060 MSZN | 1310480000 | C.62 | KLIIPPON CS K41-4 | 1537530000 | C.124 | KLIIPPON K2 2M20AB CSS | 8000004151 | C.116 | KLIIPPON K5 VMQ RAL7001 | 1937860000 | C.94 |
| KEBIKTBI MOPL 8060 S2N | 1310390000 | C.62 | KLIIPPON CS K51-2 | 1537540000 | C.125 | KLIIPPON K2 EX | 9526860000 | C.94 | KLIIPPON K5 VMQ RAL7001 | 1937860000 | C.108 |
| KL SET 10A4 S | 8000004145 | C.150 | KLIIPPON CS K51-2 | 1537550000 | C.125 | KLIIPPON K2 EX RAL7001 | 1329650000 | C.94 | KLIIPPON K51 | 1565280000 | C.94 |
| KL SET 10A4 S | 8000004145 | C.153 | KLIIPPON CS K51-2 | 1537570000 | C.125 | KLIIPPON K2 M20BCSS EX | 8000004210 | C.116 | KLIIPPON K51 | 1565280000 | C.109 |
| KL SET 12W4 S | 8000003444 | C.116 | KLIIPPON CS K51-4 | 1537580000 | C.126 | KLIIPPON K2 RAL7001 | 9529140000 | C.94 | KLIIPPON K51 EX | 9526940000 | C.94 |
| KL SET 12W4 S | 8000003444 | C.150 | KLIIPPON CS POK 121209-2 | 1537070000 | C.162 | KLIIPPON K2 RAL7001 | 9529140000 | C.101 | KLIIPPON K51 EX RAL7001 | 1328130000 | C.94 |
| KL SET 12W4 S | 8000003444 | C.155 | KLIIPPON CS POK 121209-2 | 1537080000 | C.162 | KLIIPPON K2 VMQ | 1939580000 | C.94 | KLIIPPON K51 RAL7001 | 9529220000 | C.94 |
| KL SET 13A4 S | 8000004134 | C.116 | KLIIPPON CS POK 121209-2 | 1537090000 | C.163 | KLIIPPON K2 VMQ | 1939580000 | C.101 | KLIIPPON K51 RAL7001 | 9529220000 | C.109 |
| KL SET 14Z2.5 S | 8000004133 | C.116 | KLIIPPON CS POK 121209-2 | 1537100000 | C.163 | KLIIPPON K2 VMQ RAL7001 | 1937930000 | C.94 | KLIIPPON K51 VMQ | 1939660000 | C.94 |
| KL SET 18A4 S | 8000004146 | C.150 | KLIIPPON CS POK 121209-4 | 1537110000 | C.163 | KLIIPPON K2 VMQ RAL7001 | 1937930000 | C.101 | KLIIPPON K51 VMQ | 1939660000 | C.109 |
| KL SET 18A4 S | 8000004146 | C.154 | KLIIPPON CS POK 121209-4 | 1537120000 | C.164 | KLIIPPON K21 | 0573400000 | C.94 | KLIIPPON K51 VMQ RAL7001 | 1937750000 | C.94 |
| KL SET 18W4 S | 8000004140 | C.116 | KLIIPPON CS POK 121209-4 | 1537130000 | C.164 | KLIIPPON K21 | 0573400000 | C.102 | KLIIPPON K51 VMQ RAL7001 | 1937750000 | C.109 |
| KL SET 21A4 S | 8000004137 | C.116 | KLIIPPON CS POK 122209-2 | 1537140000 | C.165 | KLIIPPON K21 | 0573400000 | C.116 | KLIIPPON K52 | 1565290000 | C.94 |
| KL SET 24Z2.5 S | 8000004136 | C.116 | KLIIPPON CS POK 122209-2 | 1537150000 | C.165 | KLIIPPON K21 3M16AB CSS | 8000004152 | C.116 | KLIIPPON K52 | 1565290000 | C.110 |
| KL SET 32W4 S | 8000004142 | C.116 | KLIIPPON CS POK 122209-2 | 1537170000 | C.165 | KLIIPPON K21 EX | 9526870000 | C.94 | KLIIPPON K52 | 1565290000 | C.116 |
| KL SET 32W4 S | 8000004142 | C.150 | KLIIPPON CS POK 122209-4 | 1537180000 | C.166 | KLIIPPON K21 EX RAL7001 | 1328120000 | C.94 | KLIIPPON K52 EX | 9526950000 | C.94 |
| KL SET 32W4 S | 8000004142 | C.156 | KLIIPPON CS STB 1-1 | 1537200000 | C.86 | KLIIPPON K21 M16ACSS EX | 8000004212 | C.116 | KLIIPPON K52 EX RAL7001 | 1329730000 | C.94 |
| KL SET 38Z2.5 S | 8000004143 | C.116 | KLIIPPON CS STB 1-1 | 1537210000 | C.86 | KLIIPPON K21 M16ZCSS EX | 8000004211 | C.116 | KLIIPPON K52 M20WCSS EX | 8000004220 | C.116 |
| KL SET 38Z2.5 S | 8000004143 | C.150 | KLIIPPON CS STB 1-1 | 1537220000 | C.87 | KLIIPPON K21 RAL7001 | 9529150000 | C.94 | KLIIPPON K52 M20ZCSS EX | 8000004221 | C.116 |
| KL SET 38Z2.5 S | 8000004143 | C.156 | KLIIPPON CS STB 1-1 | 1537230000 | C.87 | KLIIPPON K21 RAL7001 | 9529150000 | C.102 | KLIIPPON K52 RAL7001 | 9529230000 | C.94 |
| KL SET 4Z4 S | 8000004139 | C.116 | KLIIPPON CS STB 1-2 | 1537240000 | C.87 | KLIIPPON K21 VMQ | 1939590000 | C.94 | KLIIPPON K52 RAL7001 | 9529230000 | C.110 |
| KL SET 5W4 S | 8000004138 | C.116 | KLIIPPON CS STB 1-2 | 1537250000 | C.88 | KLIIPPON K21 VMQ | 1939590000 | C.102 | KLIIPPON K52 VMQ | 1939670000 | C.94 |
| KL SET 5Z2.5 S | 8000004130 | C.116 | KLIIPPON CS STB 1-2 | 1537280000 | C.88 | KLIIPPON K21 VMQ RAL7001 | 1937830000 | C.94 | KLIIPPON K52 VMQ | 1939670000 | C.110 |
| KL SET 6A4 S | 8000004144 | C.150 | KLIIPPON CS STB 1-2 | 1537290000 | C.89 | KLIIPPON K21 VMQ RAL7001 | 1937830000 | C.102 | KLIIPPON K52 VMQ RAL7001 | 1937740000 | C.94 |
| KL SET 6A4 S | 8000004144 | C.152 | KLIIPPON CS STB 2-1-2 | 1537300000 | C.89 | KLIIPPON K3 | 0342200000 | C.94 | KLIIPPON K52 VMQ RAL7001 | 1937740000 | C.110 |
| KL SET KLIIPPON POK1 BK4 | 8000004365 | C.150 | KLIIPPON CS STB 2-1-2 | 1537310000 | C.89 | KLIIPPON K3 | 0342200000 | C.103 | KLIIPPON K6 | 0342500000 | C.94 |
| KL SET KLIIPPON POK1 BK4 | 8000004365 | C.152 | KLIIPPON CS STB 2-1-2 | 1537320000 | C.90 | KLIIPPON K3 | 0342200000 | C.116 | KLIIPPON K6 | 0342500000 | C.111 |
| KL SET KLIIPPON POK2 BK6 | 8000004366 | C.150 | KLIIPPON CS STB 2-1-6 | 1537330000 | C.90 | KLIIPPON K3 4M20AB CSS | 8000004153 | C.116 | KLIIPPON K6 EX | 9526960000 | C.94 |
| KL SET KLIIPPON POK2 BK6 | 8000004366 | C.153 | KLIIPPON CS STB 2-1-7 | 1537340000 | C.91 | KLIIPPON K3 EX | 9526880000 | C.94 | KLIIPPON K6 EX RAL7001 | 1329740000 | C.94 |
| KL SET KLIIPPON POK3BK12 | 8000004367 | C.150 | KLIIPPON CS STB 2-1-7 | 1537370000 | C.91 | KLIIPPON K3 EX RAL7001 | 1329670000 | C.94 | KLIIPPON K6 RAL7001 | 9529240000 | C.94 |
| KL SET KLIIPPON POK3BK12 | 8000004367 | C.154 | KLIIPPON CS MF KIT 16 | 9529080000 | C.108 | KLIIPPON K3 M20BCSS EX | 8000004213 | C.116 | KLIIPPON K6 RAL7001 | 9529240000 | C.111 |
| KLIIPPON BDX M20 B | 2519520000 | C.44 | KLIIPPON K MF KIT 16 | 9529080000 | C.111 | KLIIPPON K3 RAL7001 | 9529160000 | C.94 | KLIIPPON K6 VMQ | 1939690000 | C.94 |
| KLIIPPON BDX M20 B | 2519520000 | C.45 | KLIIPPON K MF KIT 16 | 9529080000 | C.113 | KLIIPPON K3 RAL7001 | 9529160000 | C.103 | KLIIPPON K6 VMQ | 1939690000 | C.111 |
| KLIIPPON BDX M20 B | 2519520000 | C.46 | KLIIPPON K MF KIT 25 | 9527590000 | C.107 | KLIIPPON K3 VMQ | 1939600000 | C.94 | KLIIPPON K6 VMQ RAL7001 | 1937870000 | C.94 |
| KLIIPPON BDX M20 B | 2519520000 | C.47 | KLIIPPON K MF KIT 25 | 9527590000 | C.109 | KLIIPPON K3 VMQ | 1939600000 | C.103 | KLIIPPON K6 VMQ RAL7001 | 1937870000 | C.111 |
| KLIIPPON BDX M20 B | 2519520000 | C.78 | KLIIPPON K MF KIT 25 | 9527590000 | C.110 | KLIIPPON K3 VMQ RAL7001 | 1937900000 | C.94 | KLIIPPON K61 | 0573600000 | C.94 |
| KLIIPPON BDX M20 B | 2519520000 | C.79 | KLIIPPON K MF KIT 25 | 9527590000 | C.112 | KLIIPPON K3 VMQ RAL7001 | 1937900000 | C.103 | KLIIPPON K61 | 0573600000 | C.112 |
| KLIIPPON BDX M20 B | 2519520000 | C.80 | KLIIPPON K MF KIT 25 | 9527590000 | C.114 | KLIIPPON K31 | 0573500000 | C.94 | KLIIPPON K61 EX | 9526970000 | C.94 |
| KLIIPPON BDX M20 B | 2519520000 | C.81 | KLIIPPON K0 | 0573200000 | C.94 | KLIIPPON K31 | 0573500000 | C.104 | KLIIPPON K61 EX RAL7001 | 1328140000 | C.94 |
| KLIIPPON BDX M20 B | 2519520000 | D.61 | KLIIPPON K0 | 0573200000 | C.96 | KLIIPPON K31 | 0573500000 | C.116 | KLIIPPON K61 RAL7001 | 9529250000 | C.94 |
| KLIIPPON BDX M20 S | 2519550000 | C.44 | KLIIPPON K0 RAL7001 | 9529090000 | C.94 | KLIIPPON K31 4M20AB CSS | 8000004154 | C.116 | KLIIPPON K61 RAL7001 | 9529250000 | C.112 |
| KLIIPPON BDX M20 S | 2519550000 | C.45 | KLIIPPON K0 RAL7001 | 9529090000 | C.96 | KLIIPPON K31 EX | 9526890000 | C.94 | KLIIPPON K61 VMQ | 1939700000 | C.94 |
| KLIIPPON BDX M20 S | 2519550000 | C.46 | KLIIPPON K0 VMQ | 1939760000 | C.94 | KLIIPPON K31 EX RAL7001 | 1329680000 | C.94 | KLIIPPON K61 VMQ | 1939700000 | C.112 |
| KLIIPPON BDX M20 S | 2519550000 | C.47 | KLIIPPON K0 VMQ | 1939760000 | C.96 | KLIIPPON K31 M20ZCSS EX | 8000004214 | C.116 | KLIIPPON K61 VMQ RAL7001 | 1937730000 | C.94 |
| KLIIPPON BDX M20 S | 2519550000 | C.68 | KLIIPPON K0 VMQ RAL7001 | 1937920000 | C.94 | KLIIPPON K31 RAL7001 | 9529170000 | C.94 | KLIIPPON K61 VMQ RAL7001 | 1937730000 | C.112 |
| KLIIPPON BDX M20 S | 2519550000 | C.69 | KLIIPPON K0 VMQ RAL7001 | 1937920000 | C.96 | KLIIPPON K31 RAL7001 | 9529170000 | C.104 | KLIIPPON K7 | 0342600000 | C.94 |
| KLIIPPON BDX M20 S | 2519550000 | C.70 | KLIIPPON K01 | 1565240000 | C.94 | KLIIPPON K31 VMQ | 1939610000 | C.94 | KLIIPPON K7 | 0342600000 | C.113 |
| KLIIPPON BDX M20 S | 2519550000 | C.71 | KLIIPPON K01 | 1565240000 | C.97 | KLIIPPON K31 VMQ | 1939610000 | C.104 | KLIIPPON K7 EX | 9526980000 | C.94 |
| KLIIPPON BDX M20 S | 2519550000 | C.72 | KLIIPPON K01 | 1565240000 | C.116 | KLIIPPON K31 VMQ RAL7001 | 1937820000 | C.94 | KLIIPPON K7 EX RAL7001 | 1329750000 | C.94 |
| KLIIPPON BDX M20 S | 2519550000 | C.73 | KLIIPPON K01 1M16AB CSS | 8000004184 | C.116 | KLIIPPON K31 VMQ RAL7001 | 1937820000 | C.104 | KLIIPPON K7 RAL7001 | 9529260000 | C.94 |
| KLIIPPON BDX M20 S | 2519550000 | C.74 | KLIIPPON K01 RAL7001 | 9529100000 | C.94 | KLIIPPON K32 | 1565260000 | C.94 | KLIIPPON K7 RAL7001 | 9529260000 | C.113 |
| KLIIPPON BDX M20 S | 2519550000 | C.75 | KLIIPPON K01 RAL7001 | 9529100000 | C.97 | KLIIPPON K32 | 1565260000 | C.105 | KLIIPPON K7 VMQ | 1939710000 | C.94 |
| KLIIPPON BDX M20 S | 2519550000 | C.78 | KLIIPPON K01 VMQ | 1939540000 | C.94 | KLIIPPON K32 EX | 9526990000 | C.94 | KLIIPPON K7 VMQ | 1939710000 | C.113 |
| KLIIPPON BDX M20 S | 2519550000 | C.79 | KLIIPPON K01 VMQ | 1939540000 | C.97 | KLIIPPON K32 EX RAL7001 | 1329690000 | C.94 | KLIIPPON K7 VMQ RAL7001 | 1937880000 | C.94 |
| KLIIPPON BDX M20 S | 2519550000 | C.80 | KLIIPPON K01 VMQ RAL7001 | 1937850000 | C.94 | KLIIPPON K32 RAL7001 | 9529180000 | C.94 | KLIIPPON K7 VMQ RAL7001 | 1937880000 | C.113 |
| KLIIPPON BDX M20 S | 2519550000 | C.81 | KLIIPPON K01 VMQ RAL7001 | 1937850000 | C.97 | KLIIPPON K32 RAL7001 | 9529180000 | C.105 | KLIIPPON K71 | 0573700000 | C.94 |
| KLIIPPON BDX M20 S | 2519550000 | D.61 | KLIIPPON K02 | 1565250000 | C.94 | KLIIPPON K32 VMQ | 1939620000 | C.94 | KLIIPPON K71 | 0573700000 | C.114 |
| KLIIPPON BDX M20X15 S | 2519570000 | C.132 | KLIIPPON K02 | 1565250000 | C.98 | KLIIPPON K32 VMQ | 1939620000 | C.105 | KLIIPPON K71 EX | 9526990000 | C.94 |
| KLIIPPON BDX M20X15 S | 2519570000 | C.133 | KLIIPPON K02 RAL7001 | 95291100 | | | | | | | |

| Type | Order No. | Page | Type | Order No. | Page | Type | Order No. | Page | Type | Order No. | Page |
|-------------------------|------------|-------|------------------------|------------|------|--------------------|------------|------|-------------------------|------------|------|
| KLIPPON POK 081906 | 1305840000 | C.135 | KLIPPON STB 1 MS HT | 1024970000 | C.68 | KSP L90 S | 0930700008 | D.50 | KTB FS 453820 S4E3 | 1196180000 | C.40 |
| KLIPPON POK 081906 EX | 1306030000 | C.130 | KLIPPON STB 1 SS | 1002690000 | C.66 | KSPMH M16 BSC | 1477740000 | D.57 | KTB FS 453820 S4E4 | 1196190000 | C.40 |
| KLIPPON POK 081906 EX | 1306030000 | C.135 | KLIPPON STB 1 SS | 1002690000 | C.68 | KSPMH M16 SSC | 1477820000 | C.44 | KTB FS 448481 S4E0 | 1196200000 | C.40 |
| KLIPPON POK 082306 | 1305850000 | C.130 | KLIPPON STB 1 SS | 1002690000 | C.78 | KSPMH M16 SSC | 1477820000 | C.78 | KTB FS 448481 S4E1 | 1196210000 | C.40 |
| KLIPPON POK 082306 | 1305850000 | C.136 | KLIPPON STB 1 SS E | 1058810000 | C.66 | KSPMH M16 SSC | 1477820000 | D.57 | KTB FS 448481 S4E2 | 1196220000 | C.40 |
| KLIPPON POK 082306 EX | 1306040000 | C.130 | KLIPPON STB 1 SS E | 1058810000 | C.68 | KSPMH M20 BSC | 1477750000 | D.57 | KTB FS 448481 S4E3 | 1196230000 | C.40 |
| KLIPPON POK 082306 EX | 1306040000 | C.136 | KLIPPON STB 1.1 MS HT | 1024980000 | C.66 | KSPMH M20 SSC | 1477840000 | C.44 | KTB FS 448481 S4E4 | 1196240000 | C.40 |
| KLIPPON POK 121209 | 1305870000 | C.130 | KLIPPON STB 1.1 MS HT | 1024980000 | C.69 | KSPMH M20 SSC | 1477840000 | C.45 | KTB FS 448482 S4E0 | 1196250000 | C.40 |
| KLIPPON POK 121209 | 1305870000 | C.137 | KLIPPON STB 1.1 SS | 1002750000 | C.66 | KSPMH M20 SSC | 1477840000 | C.46 | KTB FS 448482 S4E1 | 1196260000 | C.40 |
| KLIPPON POK 121209 | 1305870000 | C.150 | KLIPPON STB 1.1 SS | 1002750000 | C.69 | KSPMH M20 SSC | 1477840000 | C.47 | KTB FS 448482 S4E2 | 1196270000 | C.40 |
| KLIPPON POK 121209 EX | 1306050000 | C.130 | KLIPPON STB 1.1 SS E | 1058820000 | C.66 | KSPMH M20 SSC | 1477840000 | C.79 | KTB FS 448482 S4E3 | 1196280000 | C.40 |
| KLIPPON POK 121209 EX | 1306050000 | C.137 | KLIPPON STB 1.1 SS E | 1058820000 | C.69 | KSPMH M20 SSC | 1477840000 | C.80 | KTB FS 448482 S4E4 | 1196290000 | C.40 |
| KLIPPON POK 122209 | 1305880000 | C.130 | KLIPPON STB 2 MS HT | 1024990000 | C.66 | KSPMH M20 SSC | 1477840000 | D.57 | KTB FS 553515 S4E0 | 1196300000 | C.40 |
| KLIPPON POK 122209 | 1305880000 | C.138 | KLIPPON STB 2 MS HT | 1024990000 | C.70 | KSPMH M25 BSC | 1477770000 | D.57 | KTB FS 553515 S4E1 | 1196310000 | C.40 |
| KLIPPON POK 122209 EX | 1306070000 | C.130 | KLIPPON STB 2 SS | 1002740000 | C.66 | KSPMH M25 SSC | 1477870000 | C.47 | KTB FS 553515 S4E2 | 1196320000 | C.40 |
| KLIPPON POK 122209 EX | 1306070000 | C.138 | KLIPPON STB 2 SS | 1002740000 | C.70 | KSPMH M25 SSC | 1477870000 | C.81 | KTB FS 553515 S4E3 | 1196330000 | C.40 |
| KLIPPON POK 161609 | 1305890000 | C.130 | KLIPPON STB 2 SS | 1002740000 | C.79 | KSPMH M25 SSC | 1477870000 | D.57 | KTB FS 553515 S4E4 | 1196340000 | C.40 |
| KLIPPON POK 161609 | 1305890000 | C.139 | KLIPPON STB 2 SS E | 1058830000 | C.66 | KSPMH M32 BSC | 1477780000 | D.57 | KTB FS 553520 S4E0 | 1196350000 | C.40 |
| KLIPPON POK 161609 | 1305890000 | C.150 | KLIPPON STB 2 SS E | 1058830000 | C.70 | KSPMH M32 SSC | 1477890000 | C.45 | KTB FS 553520 S4E1 | 1196360000 | C.40 |
| KLIPPON POK 161609 EX | 1306080000 | C.130 | KLIPPON STB 2.1 MS HT | 1025010000 | C.66 | KSPMH M32 SSC | 1477890000 | C.46 | KTB FS 553520 S4E2 | 1196370000 | C.40 |
| KLIPPON POK 161609 EX | 1306080000 | C.139 | KLIPPON STB 2.1 MS HT | 1025010000 | C.71 | KSPMH M32 SSC | 1477890000 | D.57 | KTB FS 553520 S4E3 | 1196380000 | C.40 |
| KLIPPON POK 162609 | 1305900000 | C.130 | KLIPPON STB 2.1 SS | 1002730000 | C.66 | KSPMH M40 BSC | 1477900000 | D.57 | KTB FS 553520 S4E4 | 1196390000 | C.40 |
| KLIPPON POK 162609 | 1305900000 | C.140 | KLIPPON STB 2.1 SS | 1002730000 | C.71 | KSPMH M40 SSC | 1477910000 | C.47 | KTB FS 624515 S4E0 | 1196400000 | C.40 |
| KLIPPON POK 162609 EX | 1306090000 | C.130 | KLIPPON STB 2.1 SS E | 1058840000 | C.66 | KSPMH M40 SSC | 1477910000 | D.57 | KTB FS 624515 S4E1 | 1196410000 | C.40 |
| KLIPPON POK 162609 EX | 1306090000 | C.140 | KLIPPON STB 2.1 SS E | 1058840000 | C.71 | KSPMH M50 BSC | 1477800000 | D.57 | KTB FS 624515 S4E2 | 1196420000 | C.40 |
| KLIPPON POK 163609 | 1305910000 | C.130 | KLIPPON STB 3 MS HT | 1025020000 | C.66 | KSPMH M50 SSC | 1477930000 | D.57 | KTB FS 624515 S4E3 | 1196430000 | C.40 |
| KLIPPON POK 163609 | 1305910000 | C.141 | KLIPPON STB 3 MS HT | 1025020000 | C.72 | KSPMH M63 BSC | 1477810000 | D.57 | KTB FS 624515 S4E4 | 1196440000 | C.40 |
| KLIPPON POK 163609 EX | 1306100000 | C.130 | KLIPPON STB 3 SS | 1002720000 | C.66 | KSPMH M63 SSC | 1477950000 | D.57 | KTB FS 624520 S4E0 | 1196450000 | C.40 |
| KLIPPON POK 163609 EX | 1306100000 | C.141 | KLIPPON STB 3 SS | 1002720000 | C.72 | KSPMH M75 BSC | 1477830000 | D.57 | KTB FS 624520 S4E1 | 1196460000 | C.40 |
| KLIPPON POK 165609 | 1305920000 | C.130 | KLIPPON STB 3 SS | 1002720000 | C.80 | KSPMH M75 SSC | 1477980000 | D.57 | KTB FS 624520 S4E2 | 1196470000 | C.40 |
| KLIPPON POK 165609 | 1305920000 | C.142 | KLIPPON STB 3 SS E | 1058850000 | C.66 | KSWF M16 | 1076860000 | D.48 | KTB FS 624520 S4E3 | 1196480000 | C.40 |
| KLIPPON POK 165609 EX | 1306110000 | C.130 | KLIPPON STB 3 SS E | 1058850000 | C.72 | KSWF M20 | 0899750000 | D.48 | KTB FS 624520 S4E4 | 1196490000 | C.40 |
| KLIPPON POK 165609 EX | 1306110000 | C.142 | KLIPPON STB 4 MS HT | 1025030000 | C.66 | KSWF M25 | 0899770000 | D.48 | KTB FS 765015 S4E0 | 1196500000 | C.40 |
| KLIPPON POK 252512 | 1305930000 | C.130 | KLIPPON STB 4 MS HT | 1025030000 | C.73 | KSWF M32 | 1076690000 | D.48 | KTB FS 765015 S4E1 | 1196510000 | C.40 |
| KLIPPON POK 252512 | 1305930000 | C.143 | KLIPPON STB 4 SS | 1002710000 | C.66 | KSWF M40 | 1076710000 | D.48 | KTB FS 765015 S4E2 | 1196520000 | C.40 |
| KLIPPON POK 252512 EX | 1306120000 | C.130 | KLIPPON STB 4 SS | 1002710000 | C.73 | KSWF M50 | 1076720000 | D.48 | KTB FS 765015 S4E3 | 1196530000 | C.40 |
| KLIPPON POK 252512 EX | 1306120000 | C.143 | KLIPPON STB 4 SS | 1002710000 | C.81 | KSWF M63 | 1076730000 | D.48 | KTB FS 765015 S4E4 | 1196540000 | C.40 |
| KLIPPON POK 252516 | 1305980000 | C.130 | KLIPPON STB 4 SS E | 1058860000 | C.66 | KSWF M75 | 1076740000 | D.48 | KTB FS 765020 S4E0 | 1196550000 | C.40 |
| KLIPPON POK 252516 | 1305980000 | C.144 | KLIPPON STB 4 SS E | 1058860000 | C.73 | KSWN M16 | 1076630000 | D.47 | KTB FS 765020 S4E1 | 1196560000 | C.40 |
| KLIPPON POK 252516 EX | 1306170000 | C.130 | KLIPPON STB 5 MS HT | 1025040000 | C.66 | KSWN M20 | 0930730002 | D.47 | KTB FS 765020 S4E2 | 1196570000 | C.40 |
| KLIPPON POK 252516 EX | 1306170000 | C.144 | KLIPPON STB 5 MS HT | 1025040000 | C.74 | KSWN M25 | 1076640000 | D.47 | KTB FS 765020 S4E3 | 1196580000 | C.40 |
| KLIPPON POK 254012 | 1305940000 | C.130 | KLIPPON STB 5 SS | 1002700000 | C.66 | KSWN M32 | 1076650000 | D.47 | KTB FS 765020 S4E4 | 1196590000 | C.40 |
| KLIPPON POK 254012 | 1305940000 | C.145 | KLIPPON STB 5 SS | 1002700000 | C.74 | KSWN M40 | 0899780000 | D.47 | KTB FS 916115 S4E0 | 1196600000 | C.40 |
| KLIPPON POK 254012 EX | 1306130000 | C.130 | KLIPPON STB 5 SS E | 1058880000 | C.66 | KSWN M50 | 0900660000 | D.47 | KTB FS 916115 S4E1 | 1196610000 | C.40 |
| KLIPPON POK 254012 EX | 1306130000 | C.145 | KLIPPON STB 5 SS E | 1058880000 | C.74 | KSWN M63 | 1076660000 | D.47 | KTB FS 916115 S4E2 | 1196620000 | C.40 |
| KLIPPON POK 254016 | 1305990000 | C.130 | KLIPPON STB 6 MS HT | 1025050000 | C.66 | KSWN M75 | 1076670000 | D.47 | KTB FS 916115 S4E3 | 1196630000 | C.40 |
| KLIPPON POK 254016 | 1305990000 | C.146 | KLIPPON STB 6 MS HT | 1025050000 | C.75 | KTB FS 221513 S4E0 | 1195650000 | C.40 | KTB FS 916115 S4E4 | 1196640000 | C.40 |
| KLIPPON POK 254016 EX | 1306180000 | C.130 | KLIPPON STB 6 SS | 1002760000 | C.66 | KTB FS 221513 S4E1 | 1195660000 | C.40 | KTB FS 916120 S4E0 | 1196650000 | C.40 |
| KLIPPON POK 254016 EX | 1306180000 | C.146 | KLIPPON STB 6 SS | 1002760000 | C.75 | KTB FS 221513 S4E2 | 1195670000 | C.40 | KTB FS 916120 S4E1 | 1196660000 | C.40 |
| KLIPPON POK 256012 | 1305950000 | C.130 | KLIPPON STB 6 SS E | 1058870000 | C.66 | KTB FS 221513 S4E3 | 1195680000 | C.40 | KTB FS 916120 S4E2 | 1196670000 | C.40 |
| KLIPPON POK 256012 | 1305950000 | C.147 | KLIPPON STB 6 SS E | 1058870000 | C.75 | KTB FS 221513 S4E4 | 1195690000 | C.40 | KTB FS 916120 S4E3 | 1196680000 | C.40 |
| KLIPPON POK 256012 EX | 1306140000 | C.130 | KSG M20 BN 0 NI 2 G16 | 1911510000 | C.33 | KTB FS 262615 S4E0 | 1195700000 | C.40 | KTB FS 916120 S4E4 | 1196690000 | C.40 |
| KLIPPON POK 256012 EX | 1306140000 | C.147 | KSG M20 BN 0 NI 2 G20 | 1911560000 | C.33 | KTB FS 262615 S4E1 | 1195710000 | C.40 | KTB FS 987420 S4E0 | 1196700000 | C.40 |
| KLIPPON POK 404012 | 1305970000 | C.130 | KSG M20 BS 0 NI 2 G20S | 1911540000 | C.30 | KTB FS 262615 S4E2 | 1195720000 | C.40 | KTB FS 987420 S4E1 | 1196710000 | C.40 |
| KLIPPON POK 404012 | 1305970000 | C.148 | KSG M20 BS 0 NI 2 G16 | 0930481222 | D.34 | KTB FS 262615 S4E3 | 1195730000 | C.40 | KTB FS 987420 S4E2 | 1196720000 | C.40 |
| KLIPPON POK 404012 EX | 1306150000 | C.130 | KSG M20 BS 0 NI 2 G20 | 0930501222 | D.34 | KTB FS 262615 S4E4 | 1195740000 | C.40 | KTB FS 987420 S4E3 | 1196730000 | C.40 |
| KLIPPON POK 404012 EX | 1306150000 | C.148 | KSG M20 BS 0 NI 2 G20S | 0930491224 | D.34 | KTB FS 262620 S4E0 | 1195750000 | C.40 | KTB FS 987420 S4E4 | 1196740000 | C.40 |
| KLIPPON POK1 2M16AB CSS | 8000004160 | C.150 | KSG M25 BN 0 NI 2 G25 | 1911570000 | C.33 | KTB FS 262620 S4E1 | 1195760000 | C.40 | KTB GP 221513 AB S4 | 1280890000 | C.44 |
| KLIPPON POK1 2M16AB CSS | 8000004160 | C.152 | KSG M25 BS 0 NI 2 G25 | 0930511222 | D.34 | KTB FS 262620 S4E2 | 1195770000 | C.40 | KTB GP 221513 AB S4 6MM | 1256270000 | C.15 |
| KLIPPON POK1 M16ACSS EX | 8000004223 | C.150 | KSG M32 BN 0 NI 2 G32 | 1911580000 | C.33 | KTB FS 262620 S4E3 | 1195780000 | C.40 | KTB GP 221513 AB S4 6MM | 1256270000 | C.44 |
| KLIPPON POK1 M16ACSS EX | 8000004223 | C.152 | KSG M32 BS 0 NI 2 G32 | 0930521222 | D.34 | KTB FS 262620 S4E4 | 1195790000 | C.40 | KTB GP 221513 AB S4 PE | 2022770000 | C.15 |
| KLIPPON POK1 M16BCSS EX | 8000004222 | C.150 | KSG M40 BN 0 NI 2 G40 | 1911590000 | C.33 | KTB FS 303015 S4E0 | 1195800000 | C.40 | KTB GP 221513 CD S4 6MM | 1256280000 | C.15 |
| KLIPPON POK1 M16BCSS EX | 8000004222 | C.152 | KSG M40 BS 0 NI 2 G40 | 0930531222 | D.34 | KTB FS 303015 S4E1 | 1195810000 | C.40 | KTB GP 221513 CD S4 PE | 2022930000 | C.15 |
| KLIPPON POK2 2M20AB CSS | 8000004161 | C.150 | KSG M50 BN 0 NI 2 G50 | 1911610000 | C.33 | KTB FS 303015 S4E2 | 1195820000 | C.40 | KTB GP 262615 AB S4 | 1280910000 | C.45 |
| KLIPPON POK2 2M20AB CSS | 8000004161 | C.153 | KSG M50 BS 0 NI 2 G50S | 1911600000 | C.33 | KTB FS 303015 S4E3 | 1195830000 | C.40 | KTB GP 262615 AB S4 6MM | 1256290000 | C.16 |
| KLIPPON POK2 M20ACSS EX | 8000004225 | C.150 | KSG M60 BS 0 NI 2 G60 | 1136670000 | C.34 | KTB FS 303015 S4E4 | 1195840000 | C.40 | KTB GP 262615 AB S4 6MM | 1256290000 | C.45 |
| KLIPPON POK2 M20ACSS EX | 8000004225 | C.153 | KSG M60 BS 0 NI 2 G60S | 1136680000 | C.34 | KTB FS 303020 S4E0 | 1195850000 | C.40 | KTB GP 262615 AB S4 PE | 2022930000 | C.16 |
| KLIPPON POK2 M20BCSS EX | 8000004224 | C.150 | KSG M63 BN 0 NI 2 G63 | 1911630000 | C.33 | KTB FS 303020 S4E1 | 1195860000 | C.40 | KTB GP 262615 CD S4 6MM | 1256310000 | C.16 |
| KLIPPON POK2 M20BCSS EX | 8000004224 | C.153 | KSG M63 BS 0 NI 2 G63S | 1911620000 | C.33 | KTB FS 303020 S4E2 | 1195870000 | C.40 | KTB GP 262615 CD S4 PE | 2023090000 | C.16 |
| KLIPPON POK3 4M20AB CSS | 8000004162 | C.150 | KSG M63 BS 0 NI 2 G63 | 1136690000 | C.34 | KTB FS 303020 S4E3 | 1195880000 | C.40 | KTB GP 262620 AB S4 6MM | 1256320000 | C.17 |
| KLIPPON POK3 4M20AB CSS | 8000004162 | C.154 | KSG M63 BS 0 NI 2 G63S | 1136680000 | C.34 | KTB FS 303020 S4E4 | 1195890000 | C.40 | KTB GP 262620 AB S4 PE | 2023100000 | C.17 |
| KLIPPON POK3 M20ACSS EX | 8000004228 | C.150 | KSG M75 BN 0 NI 2 G75 | 1075360000 | C.33 | KTB FS 352615 S4E0 | 1195900000 | C.40 | KTB GP 262620 CD S4 6MM | 1256330000 | C.17 |
| KLIPPON POK3 M20ACSS EX | 8000004228 | C.154 | KSG M75 BS 0 NI 2 G75S | 1075350000 | C.33 | KTB FS 352615 S4E1 | 1195910000 | C.40 | KTB GP 262620 CD S4 PE | 2023110000 | C.17 |
| KLIPPON POK3 M20BCSS EX | 8000004226 | C.150 | KSG M75 BS 0 NI 2 G75 | 1136710000 | C.34 | KTB FS 352615 S4E2 | 1195920000 | C.40 | KTB GP 303015 AB S4 6MM | 1256340000 | C.18 |
| KLIPPON POK3 M20BCSS EX | 8000004226 | C.154 | KSG M75 BS 0 NI 2 G75S | 1136700000 | C.34 | KTB FS 3 | | | | | |

| Type | Order No. | Page | Type | Order No. | Page | Type | Order No. | Page | Type | Order No. | Page | | | | |
|------|---------------------|------------|------|-----------|----------------|------------|-----------|------|----------------|------------|------|----|---------------|------------|------|
| KT | GP 453815 AB S4 6MM | 1256480000 | C.24 | KT | BH 303015 S4E4 | 1194740000 | C.18 | KT | BH 553515 S4E4 | 1195240000 | C.12 | KT | BH 3030 MSZ | 2022190000 | C.19 |
| KT | GP 453815 AB S4 PE | 2023490000 | C.24 | KT | BH 303020 S4E0 | 1194750000 | C.12 | KT | BH 553515 S4E4 | 1195240000 | C.28 | KT | BH 3030 S2N | 1193830000 | C.18 |
| KT | GP 453815 CD S4 6MM | 1256490000 | C.24 | KT | BH 303020 S4E0 | 1194750000 | C.19 | KT | BH 553520 S4E0 | 1195250000 | C.12 | KT | BH 3030 S2N | 1193830000 | C.19 |
| KT | GP 453815 CD S4 PE | 2023340000 | C.24 | KT | BH 303020 S4E1 | 1194760000 | C.12 | KT | BH 553520 S4E0 | 1195250000 | C.29 | KT | BH 3030 S2N | 1193830000 | C.46 |
| KT | GP 453820 AB S4 6MM | 1256510000 | C.25 | KT | BH 303020 S4E1 | 1194760000 | C.19 | KT | BH 553520 S4E1 | 1195260000 | C.12 | KT | BH 3030 S2N H | 1257670000 | C.18 |
| KT | GP 453820 AB S4 PE | 2023510000 | C.25 | KT | BH 303020 S4E2 | 1194770000 | C.12 | KT | BH 553520 S4E1 | 1195260000 | C.29 | KT | BH 3030 S2N H | 1257670000 | C.19 |
| KT | GP 453820 CD S4 6MM | 1256520000 | C.25 | KT | BH 303020 S4E2 | 1194770000 | C.19 | KT | BH 553520 S4E2 | 1195270000 | C.12 | KT | BH 3030 S2N H | 1257670000 | C.20 |
| KT | GP 453820 CD S4 PE | 2023520000 | C.25 | KT | BH 303020 S4E3 | 1194780000 | C.12 | KT | BH 553520 S4E2 | 1195270000 | C.29 | KT | BH 3030 S2N H | 1257670000 | C.21 |
| KT | GP 484815 AB S4 6MM | 1256530000 | C.26 | KT | BH 303020 S4E3 | 1194780000 | C.19 | KT | BH 553520 S4E3 | 1195280000 | C.12 | KT | BH 3030 S2N H | 1257670000 | C.22 |
| KT | GP 484815 AB S4 PE | 2023530000 | C.26 | KT | BH 303020 S4E4 | 1194790000 | C.12 | KT | BH 553520 S4E3 | 1195280000 | C.29 | KT | BH 3030 S2N H | 1257670000 | C.23 |
| KT | GP 484815 CD S4 6MM | 1256540000 | C.26 | KT | BH 303020 S4E4 | 1194790000 | C.19 | KT | BH 553520 S4E4 | 1195290000 | C.12 | KT | BH 3030 S2N H | 1257670000 | C.24 |
| KT | GP 484815 CD S4 PE | 2023540000 | C.26 | KT | BH 352615 S4E0 | 1194800000 | C.12 | KT | BH 553520 S4E4 | 1195290000 | C.29 | KT | BH 3030 S2N H | 1257670000 | C.25 |
| KT | GP 484820 AB S4 | 1281130000 | C.47 | KT | BH 352615 S4E0 | 1194800000 | C.20 | KT | BH 624515 S4E0 | 1195300000 | C.12 | KT | BH 3030 S2N H | 1257670000 | C.26 |
| KT | GP 484820 AB S4 6MM | 1256550000 | C.27 | KT | BH 352615 S4E1 | 1194810000 | C.12 | KT | BH 624515 S4E0 | 1195300000 | C.30 | KT | BH 3030 S2N H | 1257670000 | C.27 |
| KT | GP 484820 AB S4 6MM | 1256550000 | C.47 | KT | BH 352615 S4E1 | 1194810000 | C.20 | KT | BH 624515 S4E1 | 1195310000 | C.12 | KT | BH 3030 S2N H | 1257670000 | C.28 |
| KT | GP 484820 AB S4 PE | 2023560000 | C.27 | KT | BH 352615 S4E2 | 1194820000 | C.12 | KT | BH 624515 S4E1 | 1195310000 | C.30 | KT | BH 3030 S2N H | 1257670000 | C.29 |
| KT | GP 484820 CD S4 6MM | 1256560000 | C.27 | KT | BH 352615 S4E2 | 1194820000 | C.20 | KT | BH 624515 S4E2 | 1195320000 | C.12 | KT | BH 3030 S2N H | 1257670000 | C.30 |
| KT | GP 484820 CD S4 PE | 2023620000 | C.27 | KT | BH 352615 S4E3 | 1194830000 | C.12 | KT | BH 624515 S4E2 | 1195320000 | C.30 | KT | BH 3030 S2N H | 1257670000 | C.31 |
| KT | GP 553515 AB S4 6MM | 1256570000 | C.28 | KT | BH 352615 S4E3 | 1194830000 | C.20 | KT | BH 624515 S4E3 | 1195330000 | C.12 | KT | BH 3030 S2N H | 1257670000 | C.32 |
| KT | GP 553515 AB S4 PE | 2023660000 | C.28 | KT | BH 352615 S4E4 | 1194840000 | C.12 | KT | BH 624515 S4E3 | 1195330000 | C.30 | KT | BH 3030 S2N H | 1257670000 | C.33 |
| KT | GP 553515 CD S4 6MM | 1256580000 | C.28 | KT | BH 352615 S4E4 | 1194840000 | C.20 | KT | BH 624515 S4E4 | 1195340000 | C.12 | KT | BH 3030 S2N H | 1257670000 | C.34 |
| KT | GP 553515 CD S4 PE | 2023670000 | C.28 | KT | BH 352620 S4E0 | 1194850000 | C.12 | KT | BH 624515 S4E4 | 1195340000 | C.30 | KT | BH 3030 S2N H | 1257670000 | C.35 |
| KT | GP 553520 AB S4 6MM | 1256590000 | C.29 | KT | BH 352620 S4E0 | 1194850000 | C.21 | KT | BH 624520 S4E0 | 1195350000 | C.12 | KT | BH 3030 S2N H | 1257670000 | C.36 |
| KT | GP 553520 AB S4 PE | 2023740000 | C.29 | KT | BH 352620 S4E1 | 1194860000 | C.12 | KT | BH 624520 S4E0 | 1195350000 | C.31 | KT | BH 3030 S2N H | 1257670000 | C.37 |
| KT | GP 553520 CD S4 6MM | 1256610000 | C.29 | KT | BH 352620 S4E1 | 1194860000 | C.21 | KT | BH 624520 S4E1 | 1195360000 | C.12 | KT | BH 3030 S2N H | 1257670000 | C.38 |
| KT | GP 553520 CD S4 PE | 2023790000 | C.29 | KT | BH 352620 S4E2 | 1194870000 | C.12 | KT | BH 624520 S4E1 | 1195360000 | C.31 | KT | BH 3030 S2N H | 1257670000 | C.39 |
| KT | GP 624515 AB S4 6MM | 1256620000 | C.30 | KT | BH 352620 S4E2 | 1194870000 | C.21 | KT | BH 624520 S4E2 | 1195370000 | C.12 | KT | BH 3030 S2N H | 1257670000 | C.40 |
| KT | GP 624515 AB S4 PE | 2023820000 | C.30 | KT | BH 352620 S4E3 | 1194880000 | C.12 | KT | BH 624520 S4E2 | 1195370000 | C.31 | KT | BH 3030 S2N H | 1257670000 | C.41 |
| KT | GP 624515 CD S4 6MM | 1256630000 | C.30 | KT | BH 352620 S4E3 | 1194880000 | C.21 | KT | BH 624520 S4E3 | 1195380000 | C.12 | KT | BH 3030 S2N H | 1257670000 | C.42 |
| KT | GP 624515 CD S4 PE | 2023870000 | C.30 | KT | BH 352620 S4E4 | 1194890000 | C.12 | KT | BH 624520 S4E3 | 1195380000 | C.31 | KT | BH 3030 S2N H | 1257670000 | C.43 |
| KT | GP 624520 AB S4 6MM | 1256640000 | C.31 | KT | BH 352620 S4E4 | 1194890000 | C.21 | KT | BH 624520 S4E4 | 1195390000 | C.12 | KT | BH 3030 S2N H | 1257670000 | C.44 |
| KT | GP 624520 AB S4 PE | 2023980000 | C.31 | KT | BH 403015 S4E0 | 1194900000 | C.12 | KT | BH 624520 S4E4 | 1195390000 | C.31 | KT | BH 3030 S2N H | 1257670000 | C.45 |
| KT | GP 624520 CD S4 6MM | 1256650000 | C.31 | KT | BH 403015 S4E0 | 1194900000 | C.22 | KT | BH 765015 S4E0 | 1195400000 | C.12 | KT | BH 3030 S2N H | 1257670000 | C.46 |
| KT | GP 624520 CD S4 PE | 2023930000 | C.31 | KT | BH 403015 S4E1 | 1194910000 | C.12 | KT | BH 765015 S4E0 | 1195400000 | C.32 | KT | BH 3030 S2N H | 1257670000 | C.47 |
| KT | GP 765015 AB S4 6MM | 1256660000 | C.32 | KT | BH 403015 S4E1 | 1194910000 | C.22 | KT | BH 765015 S4E1 | 1195410000 | C.12 | KT | BH 3030 S2N H | 1257670000 | C.48 |
| KT | GP 765015 AB S4 PE | 2024040000 | C.32 | KT | BH 403015 S4E2 | 1194920000 | C.12 | KT | BH 765015 S4E1 | 1195410000 | C.32 | KT | BH 3030 S2N H | 1257670000 | C.49 |
| KT | GP 765015 CD S4 6MM | 1256670000 | C.32 | KT | BH 403015 S4E2 | 1194920000 | C.22 | KT | BH 765015 S4E2 | 1195420000 | C.12 | KT | BH 3030 S2N H | 1257670000 | C.50 |
| KT | GP 765015 CD S4 PE | 2024090000 | C.32 | KT | BH 403015 S4E3 | 1194930000 | C.12 | KT | BH 765015 S4E2 | 1195420000 | C.32 | KT | BH 3030 S2N H | 1257670000 | C.51 |
| KT | GP 765020 AB S4 6MM | 1256680000 | C.33 | KT | BH 403015 S4E3 | 1194930000 | C.22 | KT | BH 765015 S4E3 | 1195430000 | C.12 | KT | BH 3030 S2N H | 1257670000 | C.52 |
| KT | GP 765020 AB S4 PE | 2024100000 | C.33 | KT | BH 403015 S4E4 | 1194940000 | C.12 | KT | BH 765015 S4E3 | 1195430000 | C.32 | KT | BH 3030 S2N H | 1257670000 | C.53 |
| KT | GP 765020 CD S4 6MM | 1256690000 | C.33 | KT | BH 403015 S4E4 | 1194940000 | C.22 | KT | BH 765015 S4E4 | 1195440000 | C.12 | KT | BH 3030 S2N H | 1257670000 | C.54 |
| KT | GP 765020 CD S4 PE | 2024140000 | C.33 | KT | BH 403020 S4E0 | 1194950000 | C.12 | KT | BH 765015 S4E4 | 1195440000 | C.32 | KT | BH 3030 S2N H | 1257670000 | C.55 |
| KT | GP 916115 AB S4 6MM | 1256710000 | C.34 | KT | BH 403020 S4E0 | 1194950000 | C.23 | KT | BH 765020 S4E0 | 1195450000 | C.12 | KT | BH 3030 S2N H | 1257670000 | C.56 |
| KT | GP 916115 AB S4 PE | 2024150000 | C.34 | KT | BH 403020 S4E1 | 1194960000 | C.12 | KT | BH 765020 S4E0 | 1195450000 | C.33 | KT | BH 3030 S2N H | 1257670000 | C.57 |
| KT | GP 916115 CD S4 6MM | 1256720000 | C.34 | KT | BH 403020 S4E1 | 1194960000 | C.23 | KT | BH 765020 S4E1 | 1195460000 | C.12 | KT | BH 3030 S2N H | 1257670000 | C.58 |
| KT | GP 916115 CD S4 PE | 2024300000 | C.34 | KT | BH 403020 S4E2 | 1194970000 | C.12 | KT | BH 765020 S4E1 | 1195460000 | C.33 | KT | BH 3030 S2N H | 1257670000 | C.59 |
| KT | GP 916120 AB S4 6MM | 1256730000 | C.35 | KT | BH 403020 S4E2 | 1194970000 | C.23 | KT | BH 765020 S4E2 | 1195470000 | C.12 | KT | BH 3030 S2N H | 1257670000 | C.60 |
| KT | GP 916120 AB S4 PE | 2024340000 | C.35 | KT | BH 403020 S4E3 | 1194980000 | C.12 | KT | BH 765020 S4E2 | 1195470000 | C.33 | KT | BH 3030 S2N H | 1257670000 | C.61 |
| KT | GP 916120 CD S4 6MM | 1256740000 | C.35 | KT | BH 403020 S4E3 | 1194980000 | C.23 | KT | BH 765020 S4E3 | 1195480000 | C.12 | KT | BH 3030 S2N H | 1257670000 | C.62 |
| KT | GP 916120 CD S4 PE | 2024490000 | C.35 | KT | BH 403020 S4E4 | 1194990000 | C.12 | KT | BH 765020 S4E3 | 1195480000 | C.33 | KT | BH 3030 S2N H | 1257670000 | C.63 |
| KT | GP 987420 AB S4 6MM | 1256750000 | C.36 | KT | BH 403020 S4E4 | 1194990000 | C.23 | KT | BH 765020 S4E4 | 1195490000 | C.12 | KT | BH 3030 S2N H | 1257670000 | C.64 |
| KT | GP 987420 AB S4 PE | 2024560000 | C.36 | KT | BH 453815 S4E0 | 1195000000 | C.12 | KT | BH 765020 S4E4 | 1195490000 | C.33 | KT | BH 3030 S2N H | 1257670000 | C.65 |
| KT | GP 987420 CD S4 6MM | 1256760000 | C.36 | KT | BH 453815 S4E0 | 1195000000 | C.24 | KT | BH 916115 S4E0 | 1195500000 | C.12 | KT | BH 3030 S2N H | 1257670000 | C.66 |
| KT | GP 987420 CD S4 PE | 2024590000 | C.36 | KT | BH 453815 S4E1 | 1195010000 | C.12 | KT | BH 916115 S4E0 | 1195500000 | C.34 | KT | BH 3030 S2N H | 1257670000 | C.67 |
| KT | MH 221513 Exia | 8000028398 | C.42 | KT | BH 453815 S4E1 | 1195010000 | C.24 | KT | BH 916115 S4E1 | 1195510000 | C.12 | KT | BH 3030 S2N H | 1257670000 | C.68 |
| KT | MH 221513 Exia | 8000028398 | C.44 | KT | BH 453815 S4E2 | 1195020000 | C.12 | KT | BH 916115 S4E1 | 1195510000 | C.34 | KT | BH 3030 S2N H | 1257670000 | C.69 |
| KT | MH 221513 S4E0 | 1194550000 | C.12 | KT | BH 453815 S4E2 | 1195020000 | C.24 | KT | BH 916115 S4E2 | 1195520000 | C.12 | KT | BH 3030 S2N H | 1257670000 | C.70 |
| KT | MH 221513 S4E0 | 1194550000 | C.15 | KT | BH 453815 S4E3 | 1195030000 | C.12 | KT | BH 916115 S4E2 | 1195520000 | C.34 | KT | BH 3030 S2N H | 1257670000 | C.71 |
| KT | MH 221513 S4E1 | 1194560000 | C.12 | KT | BH 453815 S4E3 | 1195030000 | C.24 | KT | BH 916115 S4E3 | 1195530000 | C.12 | KT | BH 3030 S2N H | 1257670000 | C.72 |
| KT | MH 221513 S4E1 | 1194560000 | C.15 | KT | BH 453815 S4E3 | 1195030000 | C.12 | KT | BH 916115 S4E3 | 1195530000 | C.34 | KT | BH 3030 S2N H | 1257670000 | C.73 |
| KT | MH 221513 S4E1 | 1194560000 | C.12 | KT | BH 453815 S4E4 | 1195040000 | C.12 | KT | BH 916115 S4E3 | 1195530000 | C.34 | KT | BH 3030 S2N H | 1257670000 | C.74 |
| KT | MH 221513 S4E1 | 1194560000 | C.15 | KT | BH 453815 S4E4 | 1195040000 | C.24 | KT | BH 916115 S4E4 | 1195540000 | C.12 | KT | BH 3030 S2N H | 1257670000 | C.75 |
| KT | MH 221513 S4E2 | 1194570000 | C.12 | KT | BH 453815 S4E4 | 1195050000 | C.12 | KT | BH 916115 S4E4 | 1195540000 | C.34 | KT | BH 3030 S2N H | 1257670000 | C.76 |
| KT | MH 221513 S4E2 | 1194570000 | C.15 | KT | BH 453820 S4E0 | 1195050000 | C.12 | KT | BH 916120 S4E0 | 1195550000 | C.12 | KT | BH 3030 S2N H | 1257670000 | C.77 |
| KT | MH 221513 S4E3 | 1194580000 | C.12 | KT | BH 453820 S4E0 | 1195050000 | C.25 | KT | BH 916120 S4E0 | 1195550000 | C.35 | KT | BH 3030 S2N H | 1257670000 | C.78 |
| KT | MH 221513 S4E3 | 11 | | | | | | | | | | | | | |

| Type | Order No. | Page |
|---------------------|------------|------|
| KTBL QL 303020 S4E1 | 1200070000 | C.46 |
| KTBL QL 303020 S4E2 | 1200080000 | C.38 |
| KTBL QL 303020 S4E3 | 1200090000 | C.38 |
| KTBL QL 303020 S4E4 | 1200100000 | C.38 |
| KTBL QL 352615 S4E0 | 1200110000 | C.38 |
| KTBL QL 352615 S4E1 | 1200120000 | C.38 |
| KTBL QL 352615 S4E2 | 1200130000 | C.38 |
| KTBL QL 352615 S4E3 | 1200140000 | C.38 |
| KTBL QL 352615 S4E4 | 1200150000 | C.38 |
| KTBL QL 352620 S4E0 | 1200160000 | C.38 |
| KTBL QL 352620 S4E1 | 1200170000 | C.38 |
| KTBL QL 352620 S4E2 | 1200180000 | C.38 |
| KTBL QL 352620 S4E3 | 1200190000 | C.38 |
| KTBL QL 352620 S4E4 | 1200210000 | C.38 |
| KTBL QL 403015 S4E0 | 1200220000 | C.38 |
| KTBL QL 403015 S4E1 | 1200230000 | C.38 |
| KTBL QL 403015 S4E2 | 1200240000 | C.38 |
| KTBL QL 403015 S4E3 | 1200250000 | C.38 |
| KTBL QL 403015 S4E4 | 1200260000 | C.38 |
| KTBL QL 403020 S4E0 | 1200270000 | C.38 |
| KTBL QL 403020 S4E1 | 1200280000 | C.38 |
| KTBL QL 403020 S4E2 | 1200290000 | C.38 |
| KTBL QL 403020 S4E3 | 1200310000 | C.38 |
| KTBL QL 403020 S4E4 | 1200320000 | C.38 |
| KTBL QL 453815 S4E0 | 1200330000 | C.38 |
| KTBL QL 453815 S4E1 | 1200340000 | C.38 |
| KTBL QL 453815 S4E2 | 1200350000 | C.38 |
| KTBL QL 453815 S4E3 | 1200360000 | C.38 |
| KTBL QL 453815 S4E4 | 1200370000 | C.38 |
| KTBL QL 453820 S4E0 | 1200380000 | C.38 |
| KTBL QL 453820 S4E1 | 1200390000 | C.38 |
| KTBL QL 453820 S4E2 | 1200410000 | C.38 |
| KTBL QL 453820 S4E3 | 1200420000 | C.38 |
| KTBL QL 453820 S4E4 | 1200430000 | C.38 |
| KTBL QL 484815 S4E0 | 1200440000 | C.38 |
| KTBL QL 484815 S4E1 | 1200450000 | C.38 |
| KTBL QL 484815 S4E2 | 1200460000 | C.38 |
| KTBL QL 484815 S4E3 | 1200470000 | C.38 |
| KTBL QL 484815 S4E4 | 1200480000 | C.38 |
| KTBL QL 484820 Exe | 8000028401 | C.42 |
| KTBL QL 484820 Exe | 8000028401 | C.47 |
| KTBL QL 484820 S4E0 | 1200490000 | C.38 |
| KTBL QL 484820 S4E1 | 1200510000 | C.38 |
| KTBL QL 484820 S4E2 | 1200510000 | C.47 |
| KTBL QL 484820 S4E3 | 1200520000 | C.38 |
| KTBL QL 484820 S4E4 | 1200530000 | C.38 |
| KTBL QL 484820 S4E5 | 1200540000 | C.38 |
| KTBL QL 553515 S4E0 | 1200550000 | C.38 |
| KTBL QL 553515 S4E1 | 1200560000 | C.38 |
| KTBL QL 553515 S4E2 | 1200570000 | C.38 |
| KTBL QL 553515 S4E3 | 1200580000 | C.38 |
| KTBL QL 553515 S4E4 | 1200590000 | C.38 |
| KTBL QL 553520 S4E0 | 1200610000 | C.38 |
| KTBL QL 553520 S4E1 | 1200620000 | C.38 |
| KTBL QL 553520 S4E2 | 1200630000 | C.38 |
| KTBL QL 553520 S4E3 | 1200640000 | C.38 |
| KTBL QL 553520 S4E4 | 1200650000 | C.38 |
| KTBL QL 624515 S4E0 | 1200660000 | C.38 |
| KTBL QL 624515 S4E1 | 1200670000 | C.38 |
| KTBL QL 624515 S4E2 | 1200680000 | C.38 |
| KTBL QL 624515 S4E3 | 1200690000 | C.38 |
| KTBL QL 624515 S4E4 | 1200710000 | C.38 |
| KTBL QL 624520 S4E0 | 1200720000 | C.38 |
| KTBL QL 624520 S4E1 | 1200730000 | C.38 |
| KTBL QL 624520 S4E2 | 1200740000 | C.38 |
| KTBL QL 624520 S4E3 | 1200750000 | C.38 |
| KTBL QL 624520 S4E4 | 1200760000 | C.38 |
| KTBL QL 765015 S4E0 | 1200770000 | C.38 |
| KTBL QL 765015 S4E1 | 1200780000 | C.38 |
| KTBL QL 765015 S4E2 | 1200790000 | C.38 |
| KTBL QL 765015 S4E3 | 1200810000 | C.38 |
| KTBL QL 765015 S4E4 | 1200820000 | C.38 |
| KTBL QL 765020 S4E0 | 1200830000 | C.38 |
| KTBL QL 765020 S4E1 | 1200840000 | C.38 |
| KTBL QL 765020 S4E2 | 1200850000 | C.38 |
| KTBL QL 765020 S4E3 | 1200860000 | C.38 |
| KTBL QL 765020 S4E4 | 1200870000 | C.38 |
| KTBL QL 916115 S4E0 | 1200880000 | C.38 |
| KTBL QL 916115 S4E1 | 1200890000 | C.38 |
| KTBL QL 916115 S4E2 | 1200910000 | C.38 |
| KTBL QL 916115 S4E3 | 1200920000 | C.38 |
| KTBL QL 916115 S4E4 | 1200930000 | C.38 |
| KTBL QL 916120 S4E0 | 1200940000 | C.38 |
| KTBL QL 916120 S4E1 | 1200950000 | C.38 |
| KTBL QL 916120 S4E2 | 1200960000 | C.38 |
| KTBL QL 916120 S4E3 | 1200970000 | C.38 |
| KTBL QL 916120 S4E4 | 1200980000 | C.38 |
| KTBL QL 987420 S4E0 | 1200990000 | C.38 |
| KTBL QL 987420 S4E1 | 1201010000 | C.38 |
| KTBL QL 987420 S4E2 | 1201020000 | C.38 |
| KTBL QL 987420 S4E3 | 1201030000 | C.38 |
| KTBL QL 987420 S4E4 | 1201040000 | C.38 |
| KTBL QLL S2 SLS | 1191600000 | C.52 |
| KTBL QLL S2 SLS | 1191600000 | C.53 |
| KTBL QLL S2 SLS | 1191600000 | C.54 |
| KTBL QLL S2 SLS | 1191600000 | C.55 |
| KTBL QLL S2 SLS | 1191600000 | C.56 |
| KTBL QLL S2 SLS | 1191600000 | C.57 |
| KTBL QLL S2 SLS | 1191600000 | C.58 |

| Type | Order No. | Page |
|------------------------|------------|------|
| KTBL QLL S2 SLS | 1191600000 | C.59 |
| KTBL QLL S2 SLS | 1191600000 | C.60 |
| KTBL QLL S2 SLS | 1191600000 | C.61 |
| KTBL QLL S2 SLS | 1191600000 | C.62 |
| KTBL RNHD 221513 R | 1281360000 | C.15 |
| KTBL RNHD 221513 R | 1281360000 | C.20 |
| KTBL RNHD 221513 S4E R | 1314090000 | C.15 |
| KTBL RNHD 262615 R | 1281370000 | C.16 |
| KTBL RNHD 262615 R | 1281370000 | C.45 |
| KTBL RNHD 262615 S4E R | 1314100000 | C.16 |
| KTBL RNHD 262620 R | 1281380000 | C.17 |
| KTBL RNHD 262620 S4E R | 1314110000 | C.17 |
| KTBL RNHD 303015 R | 1281390000 | C.18 |
| KTBL RNHD 303015 S4E R | 1314120000 | C.18 |
| KTBL RNHD 303020 R | 1281400000 | C.19 |
| KTBL RNHD 303020 R | 1281400000 | C.46 |
| KTBL RNHD 303020 S4E R | 1314130000 | C.19 |
| KTBL RNHD 352615 R | 1281410000 | C.20 |
| KTBL RNHD 352615 S4E R | 1314140000 | C.20 |
| KTBL RNHD 352620 R | 1281420000 | C.21 |
| KTBL RNHD 352620 S4E R | 1314150000 | C.21 |
| KTBL RNHD 403015 R | 1281430000 | C.22 |
| KTBL RNHD 403015 S4E R | 1314170000 | C.22 |
| KTBL RNHD 403020 R | 1281440000 | C.23 |
| KTBL RNHD 403020 S4E R | 1314180000 | C.23 |
| KTBL RNHD 453815 R | 1281450000 | C.24 |
| KTBL RNHD 453815 S4E R | 1314190000 | C.24 |
| KTBL RNHD 453820 R | 1281460000 | C.25 |
| KTBL RNHD 453820 S4E R | 1314200000 | C.25 |
| KTBL RNHD 484815 R | 1281470000 | C.26 |
| KTBL RNHD 484815 S4E R | 1314220000 | C.26 |
| KTBL RNHD 484820 R | 1281480000 | C.27 |
| KTBL RNHD 484820 R | 1281480000 | C.47 |
| KTBL RNHD 484820 S4E R | 1314230000 | C.27 |
| KTBL RNHD 553515 R | 1281490000 | C.28 |
| KTBL RNHD 553515 S4E R | 1314240000 | C.28 |
| KTBL RNHD 553520 R | 1281500000 | C.29 |
| KTBL RNHD 553520 S4E R | 1314250000 | C.29 |
| KTBL RNHD 624515 R | 1281510000 | C.30 |
| KTBL RNHD 624515 S4E R | 1281520000 | C.30 |
| KTBL RNHD 624520 R | 1281520000 | C.31 |
| KTBL RNHD 624520 S4E R | 1314280000 | C.31 |
| KTBL RNHD 765015 R | 1281530000 | C.32 |
| KTBL RNHD 765015 S4E R | 1314290000 | C.32 |
| KTBL RNHD 765020 R | 1281540000 | C.33 |
| KTBL RNHD 765020 S4E R | 1314300000 | C.33 |
| KTBL RNHD 916115 R | 1281550000 | C.34 |
| KTBL RNHD 916115 S4E R | 1314320000 | C.34 |
| KTBL RNHD 916120 R | 1281570000 | C.35 |
| KTBL RNHD 916120 S4E R | 1314330000 | C.35 |
| KTBL RNHD 987420 R | 1281580000 | C.36 |
| KTBL RNHD 987420 S4E R | 1314340000 | C.36 |
| KV 11-M | 1656390000 | D.10 |
| KV 13-M | 1656400000 | D.10 |
| KV 16-M | 1656410000 | D.10 |
| KV 21-M | 1656420000 | D.10 |
| KV 29-M | 1656430000 | D.10 |

M

| | | |
|---------------------|------------|-------|
| MF FPC | 9536040000 | C.185 |
| MF FPC | 9536040000 | C.186 |
| MF FPC | 9536040000 | C.187 |
| MF MPC | 9535600000 | C.178 |
| MF MPC | 9535600000 | C.179 |
| MF MPC | 9535600000 | C.180 |
| MF MPC | 9535600000 | C.181 |
| MF MPC | 9535600000 | C.182 |
| MF MPC | 9535600000 | C.183 |
| MF POK BIG | 9510910000 | C.137 |
| MF POK BIG | 9510910000 | C.138 |
| MF POK BIG | 9510910000 | C.139 |
| MF POK BIG | 9510910000 | C.140 |
| MF POK BIG | 9510910000 | C.141 |
| MF POK BIG | 9510910000 | C.142 |
| MF POK BIG | 9510910000 | C.143 |
| MF POK BIG | 9510910000 | C.144 |
| MF POK BIG | 9510910000 | C.145 |
| MF POK BIG | 9510910000 | C.146 |
| MF POK BIG | 9510910000 | C.147 |
| MF POK BIG | 9510910000 | C.148 |
| MF POK SMALL | 9510900000 | C.132 |
| MF POK SMALL | 9510900000 | C.133 |
| MF POK SMALL | 9510900000 | C.134 |
| MF POK SMALL | 9510900000 | C.135 |
| MF POK SMALL | 9510900000 | C.136 |
| MF TBF | 0360800000 | C.170 |
| MF TBF | 0360800000 | C.171 |
| MF TBF | 0360800000 | C.172 |
| MF TBF | 0360800000 | C.173 |
| MF TBF | 0360800000 | C.174 |
| MOPL K1 N FE | 1905280000 | C.99 |
| MOPL K11 STAHL | 3073000000 | C.100 |
| MOPL K2 N FE | 1905270000 | C.101 |
| MOPL K21 STAHL | 3073002000 | C.102 |
| MOPL K3 BKVARIO SET | 8000004497 | C.116 |
| MOPL K3 N FE | 1898210000 | C.103 |
| MOPL K31 STAHL | 3073040000 | C.104 |
| MOPL K32 STAHL | 3073050000 | C.105 |

| Type | Order No. | Page |
|-------------------|------------|-------|
| MOPL K4 STAHL | 3073060000 | C.106 |
| MOPL K41 STAHL | 3073070000 | C.107 |
| MOPL K5 STAHL | 3073080000 | C.108 |
| MOPL K51 STAHL | 3073090000 | C.109 |
| MOPL K52 STAHL | 3073100000 | C.110 |
| MOPL K6 STAHL | 3073110000 | C.111 |
| MOPL K61 STAHL | 3073120000 | C.112 |
| MOPL K7 STAHL | 3073130000 | C.113 |
| MOPL K71 STAHL | 3073140000 | C.114 |
| MOPL SET BK12 S | 8000004135 | C.116 |
| MOPL SET BK4 S | 8000004129 | C.116 |
| MOPL SET BK6 S | 8000004132 | C.116 |
| MP FPC 20/20 | 9535920000 | C.185 |
| MP FPC 20/30 | 9535930000 | C.185 |
| MP FPC 20/40 | 9535940000 | C.186 |
| MP FPC 30/30 | 9535950000 | C.186 |
| MP FPC 30/40 | 9535960000 | C.187 |
| MP FPC 40/60 | 9535980000 | C.187 |
| MP MPC 07/12 | 9535540000 | C.178 |
| MP MPC 12/12 | 9535550000 | C.179 |
| MP MPC 12/17 | 9535560000 | C.179 |
| MP MPC 12/17 | 9535560000 | C.180 |
| MP MPC 17/17 | 9535570000 | C.181 |
| MP MPC 17/17 | 9535570000 | C.182 |
| MP MPC 17/25 | 9535580000 | C.182 |
| MP MPC 17/25 | 9535580000 | C.183 |
| MP TBF 19/15 | 9502720000 | C.170 |
| MP TBF 30/19 | 3018950000 | C.170 |
| MP TBF 30/30 | 9502730000 | C.171 |
| MP TBF 37/30 | 9502740000 | C.171 |
| MP TBF 49/30 | 9500960000 | C.172 |
| MP TBF 56/30 | 9500950000 | C.172 |
| MP TBF 60/30 | 9502750000 | C.173 |
| MP TBF 60/37 | 9502910000 | C.174 |
| MP TBF 60/60 | 9502920000 | C.174 |
| MPC 07/12/07 7035 | 9535170000 | C.178 |
| MPC 07/12/07 7035 | 9535170000 | C.178 |
| MPC 07/12/07 TRSP | 9535180000 | C.178 |
| MPC 07/12/07 TRSP | 9535180000 | C.178 |
| MPC 07/12/10 7035 | 9535190000 | C.176 |
| MPC 07/12/10 TRSP | 9535200000 | C.176 |
| MPC 07/12/12 7035 | 9535210000 | C.178 |
| MPC 07/12/12 TRSP | 9535220000 | C.178 |
| MPC 07/12/12 TRSP | 9535220000 | C.176 |
| MPC 12/12/07 7035 | 9535230000 | C.179 |
| MPC 12/12/07 TRSP | 9535230000 | C.176 |
| MPC 12/12/07 TRSP | 9535240000 | C.176 |
| MPC 12/12/07 TRSP | 9535240000 | C.179 |
| MPC 12/12/10 7035 | 9535250000 | C.176 |
| MPC 12/12/10 TRSP | 9535260000 | C.176 |
| MPC 12/12/12 7035 | 9535270000 | C.176 |
| MPC 12/12/12 TRSP | 9535280000 | C.176 |
| MPC 12/17/07 7035 | 9535290000 | C.176 |
| MPC 12/17/07 7035 | 9535290000 | C.179 |
| MPC 12/17/07 TRSP | 9535300000 | C.176 |
| MPC 12/17/10 7035 | 9535310000 | C.180 |
| MPC 12/17/10 TRSP | 9535320000 | C.180 |
| MPC 12/17/10 TRSP | 9535320000 | C.176 |
| MPC 12/17/12 7035 | 9535330000 | C.176 |
| MPC 12/17/12 TRSP | 9535330000 | C.180 |
| MPC 12/17/12 TRSP | 9535340000 | C.176 |
| MPC 12/17/12 TRSP | 9535340000 | C.180 |
| MPC 12/17/15 7035 | 9535350000 | C.176 |
| MPC 12/17/15 TRSP | 9535360000 | C.176 |
| MPC 17/17/07 7035 | 9535370000 | C.176 |
| MPC 17/17/07 TRSP | 9535370000 | C.181 |
| MPC 17/17/07 TRSP | 9535380000 | C.176 |
| MPC 17/17/07 TRSP | 9535380000 | C.181 |
| MPC 17/17/10 7035 | 9535390000 | C.176 |
| MPC 17/17/10 TRSP | 9535400000 | C.176 |
| MPC 17/17/12 7035 | 9535410000 | C.176 |
| MPC 17/17/15 7035 | 9535430000 | C.176 |
| MPC 17/17/15 TRSP | 9535440000 | C.176 |
| MPC 17/17/15 TRSP | 9535440000 | C.182 |
| MPC 17/25/07 7035 | 9535450000 | C.176 |
| MPC 17/25/07 TRSP | 953545000 | |

| Type | Order No. | Page | Type | Order No. | Page | Type | Order No. | Page | Type | Order No. | Page |
|----------------|------------|-------|------------------------|------------|-------|-------------------|------------|------|---------------|------------|--------|
| PEBZ M6 BR SET | 1277250000 | C.100 | PECD WIRE 6/200/D6 SET | 2475490000 | C.80 | SKMU EMV P613.5 | 1718930000 | D.44 | SP M6 10 S2 | 0935110000 | C.29 |
| PEBZ M6 BR SET | 1277250000 | C.101 | PECD WIRE 6/200/D6 SET | 2475490000 | C.81 | SKMU EMV P616 | 1718940000 | D.44 | SP M6 10 S2 | 0935110000 | C.30 |
| PEBZ M6 BR SET | 1277250000 | C.102 | POK MOPL 0808 | 9510670000 | C.132 | SKMU EMV P621 | 1718950000 | D.44 | SP M6 10 S2 | 0935110000 | C.31 |
| PEBZ M6 BR SET | 1277250000 | C.103 | POK MOPL 0808 MINI | 1534280000 | C.132 | SKMU EMV P629 | 1718960000 | D.44 | SP M6 10 S2 | 0935110000 | C.32 |
| PEBZ M6 BR SET | 1277250000 | C.104 | POK MOPL 0811 | 9510580000 | C.133 | SKMU EMV P67 | 1718900000 | D.44 | SP M6 10 S2 | 0935110000 | C.33 |
| PEBZ M6 BR SET | 1277250000 | C.105 | POK MOPL 0811 MINI | 1534290000 | C.133 | SKMU EMV P69 | 1718910000 | D.44 | SP M6 10 S2 | 0935110000 | C.34 |
| PEBZ M6 BR SET | 1277250000 | C.106 | POK MOPL 0816 | 9510680000 | C.134 | SKMU M12 - K GR | 1772440000 | D.40 | SP M6 10 S2 | 0935110000 | C.35 |
| PEBZ M6 BR SET | 1277250000 | C.107 | POK MOPL 0816 MINI | 1534310000 | C.134 | SKMU M12 K SW | 1806540000 | D.41 | SP M6 10 S2 | 0935110000 | C.36 |
| PEBZ M6 BR SET | 1277250000 | C.108 | POK MOPL 0819 | 9510690000 | C.135 | SKMU M12 MS | 1772360000 | D.42 | SP M6 10 S2 | 0935110000 | C.37 |
| PEBZ M6 BR SET | 1277250000 | C.109 | POK MOPL 0819 MINI | 1534320000 | C.135 | SKMU M16 - K GR | 1772450000 | D.40 | SP M6 10 S2 | 0935110000 | C.38 |
| PEBZ M6 BR SET | 1277250000 | C.110 | POK MOPL 0823 MINI | 1534330000 | C.136 | SKMU M16 K SW | 1736920000 | D.41 | SP M6 10 S2 | 0935110000 | C.39 |
| PEBZ M6 BR SET | 1277250000 | C.111 | POK MOPL 1212 | 9510590000 | C.137 | SKMU M16 MS | 1736990000 | C.44 | SP M6 10 S2 | 0935110000 | C.40 |
| PEBZ M6 BR SET | 1277250000 | C.112 | POK MOPL 1212 MINI | 1534340000 | C.137 | SKMU M16 MS | 1736990000 | C.44 | SP M6 10 S2 | 0935110000 | C.41 |
| PEBZ M6 BR SET | 1277250000 | C.113 | POK MOPL 1222 | 9510600000 | C.138 | SKMU M16 MS | 1736990000 | D.42 | SP M6 10 S2 | 0935110000 | C.42 |
| PEBZ M6 BR SET | 1277250000 | C.114 | POK MOPL 1222 MINI | 1534350000 | C.138 | SKMU M16 MS SC | 0930640001 | D.43 | SP M6 10 S2 | 0935110000 | C.43 |
| PEBZ M6 BR SET | 1277250000 | C.132 | POK MOPL 1616 | 9510610000 | C.139 | SKMU M20 - K GR | 1772460000 | D.40 | SP M6 10 S2 | 0935110000 | C.44 |
| PEBZ M6 BR SET | 1277250000 | C.133 | POK MOPL 1616 MINI | 1534360000 | C.139 | SKMU M20 K SW | 1736930000 | C.79 | SP M6 10 S2 | 0935110000 | C.45 |
| PEBZ M6 BR SET | 1277250000 | C.134 | POK MOPL 1626 | 9510620000 | C.140 | SKMU M20 K SW | 1736930000 | C.80 | SP M6 10 S2 | 0935110000 | C.46 |
| PEBZ M6 BR SET | 1277250000 | C.135 | POK MOPL 1626 MINI | 1534370000 | C.140 | SKMU M20 K SW | 1736930000 | D.41 | SP M6 10 S2 | 0935110000 | C.47 |
| PEBZ M6 BR SET | 1277250000 | C.136 | POK MOPL 1636 | 9510630000 | C.141 | SKMU M20 MS | 1737000000 | C.44 | SP M6 15 MSZN | 3896100000 | C.52 |
| PEBZ M6 BR SET | 1277250000 | C.137 | POK MOPL 1636 MINI | 1534380000 | C.141 | SKMU M20 MS | 1737000000 | C.45 | SP M6 15 MSZN | 3896100000 | C.53 |
| PEBZ M6 BR SET | 1277250000 | C.138 | POK MOPL 1656 | 9510710000 | C.142 | SKMU M20 MS | 1737000000 | C.46 | SP M6 15 MSZN | 3896100000 | C.54 |
| PEBZ M6 BR SET | 1277250000 | C.139 | POK MOPL 1656 MINI | 1534390000 | C.142 | SKMU M20 MS | 1737000000 | C.47 | SP M6 15 MSZN | 3896100000 | C.55 |
| PEBZ M6 BR SET | 1277250000 | C.140 | POK MOPL 2525 | 9510640000 | C.143 | SKMU M20 MS | 1737000000 | C.79 | SP M6 15 MSZN | 3896100000 | C.56 |
| PEBZ M6 BR SET | 1277250000 | C.141 | POK MOPL 2525 | 9510640000 | C.144 | SKMU M20 MS | 1737000000 | C.80 | SP M6 15 MSZN | 3896100000 | C.57 |
| PEBZ M6 BR SET | 1277250000 | C.142 | POK MOPL 2525 MINI | 1534410000 | C.143 | SKMU M20 MS | 1737000000 | D.42 | SP M6 15 MSZN | 3896100000 | C.58 |
| PEBZ M6 BR SET | 1277250000 | C.143 | POK MOPL 2525 MINI | 1534410000 | C.144 | SKMU M20 MS SC | 0930640002 | D.43 | SP M6 15 MSZN | 3896100000 | C.59 |
| PEBZ M6 BR SET | 1277250000 | C.144 | POK MOPL 2540 | 9510650000 | C.145 | SKMU M25 - K GR | 1772470000 | D.40 | SP M6 15 MSZN | 3896100000 | C.60 |
| PEBZ M6 BR SET | 1277250000 | C.145 | POK MOPL 2540 | 9510650000 | C.146 | SKMU M25 K SW | 1736940000 | C.81 | SP M6 15 MSZN | 3896100000 | C.61 |
| PEBZ M6 BR SET | 1277250000 | C.146 | POK MOPL 2540 MINI | 1534420000 | C.145 | SKMU M25 K SW | 1736940000 | D.41 | SP M6 15 MSZN | 3896100000 | C.62 |
| PEBZ M6 BR SET | 1277250000 | C.147 | POK MOPL 2540 MINI | 1534420000 | C.146 | SKMU M25 MS | 1737010000 | C.47 | SP M6 15 S2 | 0935120000 | C.15 |
| PEBZ M6 BR SET | 1277250000 | C.148 | POK MOPL 2560 | 9510660000 | C.147 | SKMU M25 MS | 1737010000 | C.81 | SP M6 15 S2 | 0935120000 | C.16 |
| PEBZ M6 BR SET | 1277250000 | C.170 | POK MOPL 2560 MINI | 1534430000 | C.147 | SKMU M25 MS | 1737010000 | D.42 | SP M6 15 S2 | 0935120000 | C.17 |
| PEBZ M6 BR SET | 1277250000 | C.171 | POK MOPL 4040 | 9510670000 | C.148 | SKMU M25 MS SC | 0930640003 | D.43 | SP M6 15 S2 | 0935120000 | C.18 |
| PEBZ M6 BR SET | 1277250000 | C.172 | POK MOPL 4040 MINI | 1534440000 | C.148 | SKMU M32 - K GR | 1772480000 | D.40 | SP M6 15 S2 | 0935120000 | C.19 |
| PEBZ M6 BR SET | 1277250000 | C.173 | | | | SKMU M32 K SW | 1736950000 | D.41 | SP M6 15 S2 | 0935120000 | C.20 |
| PEBZ M6 BR SET | 1277250000 | C.174 | | | | SKMU M32 MS | 1737020000 | C.45 | SP M6 15 S2 | 0935120000 | C.21 |
| PEBZ M6 BR SET | 1277250000 | C.178 | | | | SKMU M32 MS | 1737020000 | C.46 | SP M6 15 S2 | 0935120000 | C.22 |
| PEBZ M6 BR SET | 1277250000 | C.179 | SD FIXING SET | 1285200000 | C.15 | SKMU M32 MS | 1737020000 | D.42 | SP M6 15 S2 | 0935120000 | C.23 |
| PEBZ M6 BR SET | 1277250000 | C.180 | SD FIXING SET | 1285200000 | C.16 | SKMU M32 MS SC | 0930640004 | D.43 | SP M6 15 S2 | 0935120000 | C.24 |
| PEBZ M6 BR SET | 1277250000 | C.181 | SD FIXING SET | 1285200000 | C.17 | SKMU M40 - K GR | 1772490000 | D.40 | SP M6 15 S2 | 0935120000 | C.25 |
| PEBZ M6 BR SET | 1277250000 | C.182 | SD FIXING SET | 1285200000 | C.18 | SKMU M40 K SW | 1736960000 | D.41 | SP M6 15 S2 | 0935120000 | C.26 |
| PEBZ M6 BR SET | 1277250000 | C.183 | SD FIXING SET | 1285200000 | C.19 | SKMU M40 MS | 1737030000 | C.47 | SP M6 15 S2 | 0935120000 | C.27 |
| PEBZ M6 BR SET | 1277250000 | C.185 | SD FIXING SET | 1285200000 | C.20 | SKMU M40 MS | 1737030000 | D.42 | SP M6 15 S2 | 0935120000 | C.28 |
| PEBZ M6 BR SET | 1277250000 | C.186 | SD FIXING SET | 1285200000 | C.21 | SKMU M40 MS SC | 0930640005 | D.43 | SP M6 15 S2 | 0935120000 | C.29 |
| PEBZ M6 BR SET | 1277250000 | C.187 | SD FIXING SET | 1285200000 | C.22 | SKMU M50 - K GR | 1772500000 | D.40 | SP M6 15 S2 | 0935120000 | C.30 |
| PEBZ M6 S4 SET | 1283430000 | C.99 | SD FIXING SET | 1285200000 | C.23 | SKMU M50 K SW | 1736970000 | D.41 | SP M6 15 S2 | 0935120000 | C.31 |
| PEBZ M6 S4 SET | 1283430000 | C.100 | SD FIXING SET | 1285200000 | C.24 | SKMU M50 MS | 1737040000 | D.42 | SP M6 15 S2 | 0935120000 | C.32 |
| PEBZ M6 S4 SET | 1283430000 | C.101 | SD FIXING SET | 1285200000 | C.25 | SKMU M50 MS SC | 0930640006 | D.43 | SP M6 15 S2 | 0935120000 | C.33 |
| PEBZ M6 S4 SET | 1283430000 | C.102 | SD FIXING SET | 1285200000 | C.26 | SKMU M63 - K GR | 1772510000 | D.40 | SP M6 15 S2 | 0935120000 | C.34 |
| PEBZ M6 S4 SET | 1283430000 | C.103 | SD FIXING SET | 1285200000 | C.27 | SKMU M63 K SW | 1736980000 | D.41 | SP M6 15 S2 | 0935120000 | C.35 |
| PEBZ M6 S4 SET | 1283430000 | C.104 | SD FIXING SET | 1285200000 | C.28 | SKMU M63 MS | 1737050000 | D.42 | SP M6 15 S2 | 0935120000 | C.36 |
| PEBZ M6 S4 SET | 1283430000 | C.105 | SD FIXING SET | 1285200000 | C.29 | SKMU M63 MS SC | 0930640007 | D.43 | SP M6 15 S2 | 0935120000 | C.37 |
| PEBZ M6 S4 SET | 1283430000 | C.106 | SD FIXING SET | 1285200000 | C.30 | SKMU M75 MS | 1737060000 | D.42 | SP M6 15 S2 | 0935120000 | C.38 |
| PEBZ M6 S4 SET | 1283430000 | C.107 | SD FIXING SET | 1285200000 | C.31 | SKMU M75 MS SC | 0930640008 | D.43 | SP M6 15 S2 | 0935120000 | C.39 |
| PEBZ M6 S4 SET | 1283430000 | C.108 | SD FIXING SET | 1285200000 | C.32 | SKMU PG 13,5-K GR | 1697470000 | D.40 | SP M6 15 S2 | 0935120000 | C.40 |
| PEBZ M6 S4 SET | 1283430000 | C.109 | SD FIXING SET | 1285200000 | C.33 | SKMU PG11-K GR | 1697460000 | D.40 | SP M6 15 S2 | 0935120000 | C.41 |
| PEBZ M6 S4 SET | 1283430000 | C.110 | SD FIXING SET | 1285200000 | C.34 | SKMU PG11-K SW | 1719120000 | D.41 | SP M6 15 S2 | 0935120000 | C.42 |
| PEBZ M6 S4 SET | 1283430000 | C.111 | SD FIXING SET | 1285200000 | C.35 | SKMU PG11-MS | 1694090000 | D.42 | SP M6 15 S2 | 0935120000 | C.43 |
| PEBZ M6 S4 SET | 1283430000 | C.112 | SD FIXING SET | 1285200000 | C.36 | SKMU PG13,5-K SW | 1719130000 | D.41 | SP M6 15 S2 | 0935120000 | C.44 |
| PEBZ M6 S4 SET | 1283430000 | C.113 | SD TH20 | 9009160000 | C.96 | SKMU PG13,5-MS | 1694100000 | D.42 | SP M6 15 S2 | 0935120000 | C.45 |
| PEBZ M6 S4 SET | 1283430000 | C.114 | SD TH20 | 9009160000 | C.97 | SKMU PG16-K GR | 1697480000 | D.40 | SP M6 15 S2 | 0935120000 | C.46 |
| PEBZ M6 S4 SET | 1283430000 | C.132 | SD TH20 | 9009160000 | C.98 | SKMU PG16-K SW | 1719140000 | D.41 | SP M6 15 S2 | 0935120000 | C.47 |
| PEBZ M6 S4 SET | 1283430000 | C.133 | SD TH20 | 9009160000 | C.99 | SKMU PG16-MS | 1694110000 | D.42 | SP M6 20 MSZN | 3896200000 | C.52 |
| PEBZ M6 S4 SET | 1283430000 | C.134 | SD TH20 | 9009160000 | C.100 | SKMU PG21-K GR | 1698220000 | D.40 | SP M6 20 MSZN | 3896200000 | C.53 |
| PEBZ M6 S4 SET | 1283430000 | C.135 | SD TH20 | 9009160000 | C.101 | SKMU PG21-K SW | 1719150000 | D.41 | SP M6 20 MSZN | 3896200000 | C.54 |
| PEBZ M6 S4 SET | 1283430000 | C.136 | SD TH20 | 9009160000 | C.102 | SKMU PG21-MS | 1719200000 | D.42 | SP M6 20 MSZN | 3896200000 | C.55 |
| PEBZ M6 S4 SET | 1283430000 | C.137 | SD TH20 | 9009160000 | C.103 | SKMU PG29-K GR | 1698230000 | D.40 | SP M6 20 MSZN | 3896200000 | C.56 |
| PEBZ M6 S4 SET | 1283430000 | C.138 | SD TH20 | 9009160000 | C.104 | SKMU PG29-K SW | 1719160000 | D.41 | SP M6 20 MSZN | 3896200000 | C.57 |
| PEBZ M6 S4 SET | 1283430000 | C.139 | SD TH20 | 9009160000 | C.105 | SKMU PG29-MS | 1719210000 | D.42 | SP M6 20 MSZN | 3896200000 | C.58 |
| PEBZ M6 S4 SET | 1283430000 | C.140 | SD TH20 | 9009160000 | C.106 | SKMU PG36-K GR | 1698240000 | D.40 | SP M6 20 MSZN | 3896200000 | C.59 |
| PEBZ M6 S4 SET | 1283430000 | C.141 | SD TH20 | 9009160000 | C.107 | SKMU PG36-K SW | 1719170000 | D.41 | SP M6 20 MSZN | 3896200000 | C.60 |
| PEBZ M6 S4 SET | 1283430000 | C.142 | SD TH20 | 9009160000 | C.108 | SKMU PG36-MS | 1719220000 | D.42 | SP M6 20 MSZN | 3896200000 | C.61 |
| PEBZ M6 S4 SET | 1283430000 | C.143 | SD TH20 | 9009160000 | C.109 | SKMU PG42-K GR | 1698250000 | D.40 | SP M6 20 MSZN | 3896200000 | C.62 |
| PEBZ M6 S4 SET | 1283430000 | C.144 | SD TH20 | 9009160000 | C.110 | SKMU PG42-K SW | 1719180000 | D.41 | SP M6 20 S2 | 0935130000 | C.15 |
| PEBZ M6 S4 SET | 1283430000 | C.145 | SD TH20 | 9009160000 | C.111 | SKMU PG42-MS | 1719230000 | D.42 | SP M6 20 S2 | 0935130000 | C.16 |
| PEBZ M6 S4 SET | 1283430000 | C.146 | SD TH20 | 9009160000 | C.112 | SKMU PG48-K GR | 1719090000 | D.40 | SP M6 20 S2 | 0935130000 | C.17 |
| PEBZ M6 S4 SET | 1283430000 | C.147 | SD TH20 | 9009160000 | C.113 | SKMU PG48-K SW | 1719190000 | D.41 | SP M6 20 S2 | 0935130000 | C.18 |
| PEBZ M6 S4 SET | 1283430000 | C.148 | SD TH20 | 9009160000 | C.114 | SKMU PG48-MS | 1719240000 | D.42 | SP M6 20 S2 | 0935130000 | C.19 |
| PEBZ M6 S4 SET | 1283430000 | C.170 | SFN55 VKMU M5 SW15 | 0433500000 | C.68 | SKMU PG7-K GR | 1697440000 | D.40 | SP M6 20 S2 | 0935130000 | C.20 |
| PEBZ M6 S4 SET | 1283430000 | C.171 | SFN55 VKMU M5 SW15 | 0433500000 | C.69 | SKMU PG7-K SW | 1719100000 | D.41 | SP M6 20 S2 | 0935130000 | C.21 |
| PEBZ M6 S4 SET | 1283430000 | C.172 | SFN55 VKMU M5 SW15 | 0433500000 | C.70 | SKMU PG7-MS | 1694070000 | D.42 | SP M6 20 S2 | 0935130000 | C.22 |
| PEBZ M6 S4 SET | 1283430000 | C.173 | SFN55 VKMU M5 SW15 | 0433500000 | C.71 | SKMU PG9-K GR | 1697450000 | D.40 | SP M6 20 S2 | 0935130000 | C.23</ |

| Type | Order No. | Page |
|--------------------------|------------|-------|
| VG M16 EXE 5-8 CR7J G4 | 2721940000 | D.38 |
| VG M16 EXE 5-8 SI7J G4 | 2722080000 | C.152 |
| VG M16 EXE 5-8 SI7J G4 | 2722080000 | D.39 |
| VG M16 EXE 6-10 CR7J G4 | 2721950000 | D.38 |
| VG M16 EXE 6-10 SI7J G4 | 2722090000 | C.152 |
| VG M16 EXE 6-10 SI7J G4 | 2722090000 | D.39 |
| VG M16 EXE MS | 1460040000 | C.44 |
| VG M16 EXE MS | 1460040000 | C.78 |
| VG M16 EXE MS | 1460040000 | C.152 |
| VG M16 EXI 5-8 CR7J G4 | 2722220000 | D.38 |
| VG M16 EXI 5-8 SI7J G4 | 2722360000 | D.39 |
| VG M16 EXI 6-10 CR7J G4 | 2722300000 | D.38 |
| VG M16 EXI 6-10 SI7J G4 | 2722370000 | D.39 |
| VG M16-1/K68 | 1909860000 | D.6 |
| VG M16-1/MS68 | 1909910000 | D.8 |
| VG M16-K68 SKS | 1776710000 | D.7 |
| VG M20 - MS 68 | 1772220000 | D.8 |
| VG M20 EMV4 MS 6-12 | 2435150000 | D.11 |
| VG M20 EMV4 MS 8-14 | 2435160000 | D.11 |
| VG M20 EXE 11-14 CR7J G4 | 2721980000 | D.38 |
| VG M20 EXE 11-14 SI7J G4 | 2722120000 | C.153 |
| VG M20 EXE 11-14 SI7J G4 | 2722120000 | C.154 |
| VG M20 EXE 11-14 SI7J G4 | 2722120000 | C.155 |
| VG M20 EXE 11-14 SI7J G4 | 2722120000 | C.156 |
| VG M20 EXE 11-14 SI7J G4 | 2722120000 | D.39 |
| VG M20 EXE 7-12 CR7J G4 | 2721960000 | D.38 |
| VG M20 EXE 7-12 SI7J G4 | 2722100000 | D.39 |
| VG M20 EXE 7-13 CR7J G4 | 2721970000 | D.38 |
| VG M20 EXE 7-13 SI7J G4 | 2722110000 | C.153 |
| VG M20 EXE 7-13 SI7J G4 | 2722110000 | C.154 |
| VG M20 EXE 7-13 SI7J G4 | 2722110000 | C.155 |
| VG M20 EXE 7-13 SI7J G4 | 2722110000 | C.156 |
| VG M20 EXE 7-13 SI7J G4 | 2722110000 | D.39 |
| VG M20 EXE MS | 1460050000 | C.44 |
| VG M20 EXE MS | 1460050000 | C.45 |
| VG M20 EXE MS | 1460050000 | C.46 |
| VG M20 EXE MS | 1460050000 | C.47 |
| VG M20 EXE MS | 1460050000 | C.79 |
| VG M20 EXE MS | 1460050000 | C.80 |
| VG M20 EXE MS | 1460050000 | C.153 |
| VG M20 EXE MS | 1460050000 | C.154 |
| VG M20 EXE MS | 1460050000 | C.155 |
| VG M20 EXE MS | 1460050000 | C.156 |
| VG M20 EXI 11-14 CR7J G4 | 2722260000 | D.38 |
| VG M20 EXI 11-14 SI7J G4 | 2722400000 | D.39 |
| VG M20 EXI 7-12 CR7J G4 | 2722240000 | D.38 |
| VG M20 EXI 7-12 SI7J G4 | 2722380000 | D.39 |
| VG M20 EXI 7-13 CR7J G4 | 2722250000 | D.38 |
| VG M20 EXI 7-13 SI7J G4 | 2722390000 | D.39 |
| VG M20-1/K68 | 1772300000 | D.6 |
| VG M20-K68 SKS 10-14 | 1776720000 | D.7 |
| VG M20-K68 SKS 6-12 | 1778860000 | D.7 |
| VG M25 - K 68 | 1772310000 | D.6 |
| VG M25 - MS 68 | 1772230000 | D.8 |
| VG M25 EMV4 MS 10-18 | 2435170000 | D.11 |
| VG M25 EXE 12-17 CR7J G4 | 2721990000 | D.38 |
| VG M25 EXE 12-17 SI7J G4 | 2722130000 | D.39 |
| VG M25 EXE 14-18 CR7J G4 | 2722000000 | D.38 |
| VG M25 EXE 14-18 SI7J G4 | 2722140000 | D.39 |
| VG M25 EXE MS | 1460070000 | C.47 |
| VG M25 EXE MS | 1460070000 | C.81 |
| VG M25 EXI 12-17 CR7J G4 | 2722270000 | D.38 |
| VG M25 EXI 12-17 SI7J G4 | 2722410000 | D.39 |
| VG M25 EXI 14-18 CR7J G4 | 2722280000 | D.38 |
| VG M25 EXI 14-18 SI7J G4 | 2722420000 | D.39 |
| VG M25-1/K68 | 1909870000 | D.6 |
| VG M25-1/MS68 | 1909920000 | D.8 |
| VG M25-K68 SKS | 1776730000 | D.7 |
| VG M32 - K 68 | 1772320000 | D.6 |
| VG M32 - MS 68 | 1772240000 | D.8 |
| VG M32 EMV4 MS 16-25 | 2435180000 | D.11 |
| VG M32 EXE 16-21 CR7J G4 | 2722010000 | D.38 |
| VG M32 EXE 16-21 SI7J G4 | 2722150000 | D.39 |
| VG M32 EXE 19-25 CR7J G4 | 2722020000 | D.38 |
| VG M32 EXE 19-25 SI7J G4 | 2722160000 | D.39 |
| VG M32 EXE MS | 1460080000 | C.45 |
| VG M32 EXE MS | 1460080000 | C.46 |
| VG M32 EXI 16-21 CR7J G4 | 2722290000 | D.38 |
| VG M32 EXI 16-21 SI7J G4 | 2722430000 | D.39 |
| VG M32 EXI 19-25 CR7J G4 | 2722300000 | D.38 |
| VG M32 EXI 19-25 SI7J G4 | 2722440000 | D.39 |
| VG M32-1/K68 | 1909880000 | D.6 |
| VG M32-1/MS68 | 1909930000 | D.8 |
| VG M40 - K 68 | 1772330000 | D.6 |
| VG M40 - MS 68 | 1772250000 | D.8 |
| VG M40 EMV4 MS 22-32 | 2435190000 | D.11 |
| VG M40 EXE 20-28 CR7J G4 | 2722030000 | D.38 |
| VG M40 EXE 20-28 SI7J G4 | 2722170000 | D.39 |
| VG M40 EXE 23-32 CR7J G4 | 2722040000 | D.38 |
| VG M40 EXE 23-32 SI7J G4 | 2722180000 | D.39 |
| VG M40 EXE MS | 1460090000 | C.47 |
| VG M40 EXI 20-28 CR7J G4 | 2722310000 | D.38 |
| VG M40 EXI 20-28 SI7J G4 | 2722450000 | D.39 |
| VG M40 EXI 23-32 CR7J G4 | 2722320000 | D.38 |
| VG M40 EXI 23-32 SI7J G4 | 2722460000 | D.39 |
| VG M40-1/K68 | 1909890000 | D.6 |
| VG M40-1/MS68 | 1909940000 | D.8 |
| VG M50 - K 68 | 1772340000 | D.6 |
| VG M50 - MS 68 | 1772260000 | D.8 |

| Type | Order No. | Page |
|--------------------------|------------|-------|
| VG M50 EMV4 MS 30-38 | 2435200000 | D.11 |
| VG M50 EXE 31-38 CR7J G4 | 2722050000 | D.38 |
| VG M50 EXE 31-38 SI7J G4 | 2722190000 | D.39 |
| VG M50 EXI 31-38 CR7J G4 | 2722330000 | D.38 |
| VG M50 EXI 31-38 SI7J G4 | 2722470000 | D.39 |
| VG M50-1/MS68 | 1909950000 | D.8 |
| VG M63 - MS 68 | 1772270000 | D.8 |
| VG M63 EMV4 MS 34-44 | 2435210000 | D.11 |
| VG M63 EXE 35-44 CR7J G4 | 2722060000 | D.38 |
| VG M63 EXE 35-44 SI7J G4 | 2722200000 | D.39 |
| VG M63 EXI 35-44 CR7J G4 | 2722340000 | D.38 |
| VG M63 EXI 35-44 SI7J G4 | 2722480000 | D.39 |
| VG M63-1/K68 | 1772350000 | D.6 |
| VG M12-SS 68 KB 3-6.5 | 1009840000 | D.13 |
| VG M16-SS 68 KB 4-8 | 1009850000 | D.13 |
| VG M20-SS 68 KB 6-12 | 1009860000 | D.13 |
| VG M25-MS68 11-20 BG | 1193600000 | D.9 |
| VG M25-MS68 EMC 11-20SET | 1463720000 | D.12 |
| VG M25-SS 68 KB 10-14 | 1009870000 | D.13 |
| VG M25-SS68 11-20 BG | 1193570000 | D.14 |
| VG M32-MS68 15-25 BG | 1193610000 | D.9 |
| VG M32-MS68 EMC 15-25SET | 1463730000 | D.12 |
| VG M32-SS 68 KB 13-18 | 1009880000 | D.13 |
| VG M32-SS68 15-25 BG | 1193580000 | D.14 |
| VG M40-MS68 20-32 BG | 1193620000 | D.9 |
| VG M40-SS 68 KB 18-25 | 1009890000 | D.13 |
| VG M40-SS68 20-32 BG | 1193590000 | D.14 |
| VG M40-1-MS68 20-32 BG | 1205890000 | D.9 |
| VG M40-1-SS68 20-32 BG | 1205920000 | D.14 |
| VG M50-SS 68 KB 22-32 | 1009900000 | D.13 |
| VG M63-SS 68 KB 34-44 | 1009910000 | D.13 |
| VP 11-K54 | 0294860000 | D.53 |
| VP 11-MS65 | 0294800000 | D.54 |
| VP 13.5-K54 | 0294860000 | D.53 |
| VP 13.5-MS65 | 0294900000 | D.54 |
| VP 16-K54 | 0295060000 | D.53 |
| VP 16-MS65 | 0295000000 | D.54 |
| VP 21-K54 | 0295160000 | D.53 |
| VP 21-MS65 | 0295100000 | D.54 |
| VP 29-K54 | 0501160000 | D.53 |
| VP 29-MS65 | 0501100000 | D.54 |
| VP 36-K54 | 0501260000 | D.53 |
| VP 36-MS65 | 0501200000 | D.54 |
| VP 42-K54 | 0501360000 | D.53 |
| VP 42-MS65 | 0501300000 | D.54 |
| VP 48-K54 | 1719260000 | D.53 |
| VP 48-MS65 | 1719270000 | D.54 |
| VP 7-K54 | 1719250000 | D.53 |
| VP 7-MS65 | 0521600000 | D.54 |
| VP 9-K54 | 0294760000 | D.53 |
| VP 9-MS65 | 0294700000 | D.54 |
| VP M12 EX SI 7J | 2066710000 | D.58 |
| VP M12 K54 | 1776930000 | D.53 |
| VP M12-MS65 | 1777270000 | D.54 |
| VP M16 EX SI 7J | 2066720000 | C.152 |
| VP M16 EX SI 7J | 2066720000 | D.58 |
| VP M16 EXE MS | 1210890000 | C.152 |
| VP M16 EXE MS | 1210890000 | D.56 |
| VP M16 K54 | 1776920000 | D.53 |
| VP M16-EXE SW | 1737070000 | D.55 |
| VP M16-MS65 | 1777300000 | D.54 |
| VP M20 EX SI 7J | 2066730000 | C.153 |
| VP M20 EX SI 7J | 2066730000 | C.154 |
| VP M20 EX SI 7J | 2066730000 | C.155 |
| VP M20 EX SI 7J | 2066730000 | C.156 |
| VP M20 EX SI 7J | 2066730000 | D.58 |
| VP M20 EXE MS | 1210900000 | C.153 |
| VP M20 EXE MS | 1210900000 | C.154 |
| VP M20 EXE MS | 1210900000 | C.155 |
| VP M20 EXE MS | 1210900000 | D.56 |
| VP M20 K54 | 1776910000 | D.53 |
| VP M20-EXE SW | 1737080000 | D.55 |
| VP M20-MS65 | 1777470000 | D.54 |
| VP M25 EX SI 7J | 2066740000 | D.58 |
| VP M25 EXE MS | 1210910000 | D.56 |
| VP M25 K54 | 1776900000 | D.53 |
| VP M25-EXE SW | 1737090000 | D.55 |
| VP M25-MS65 | 1777500000 | D.54 |
| VP M32 EX SI 7J | 2066750000 | D.58 |
| VP M32 EXE MS | 1210920000 | D.56 |
| VP M32 K54 | 1776940000 | D.53 |
| VP M32-EXE SW | 1737100000 | D.55 |
| VP M32-MS65 | 1777760000 | D.54 |
| VP M40 EX SI 7J | 2066760000 | D.58 |
| VP M40 EXE MS | 1210930000 | D.56 |
| VP M40 K54 | 1776950000 | D.53 |
| VP M40-EXE SW | 1737110000 | D.55 |
| VP M40-MS65 | 1777770000 | D.54 |
| VP M50 EX SI 7J | 2066770000 | D.58 |
| VP M50 EXE MS | 1210940000 | D.56 |
| VP M50 K54 | 1776960000 | D.53 |
| VP M50-EXE SW | 1737120000 | D.55 |
| VP M50-MS65 | 1777780000 | D.54 |
| VP M63 EX SI 7J | 2066940000 | D.58 |
| VP M63 EXE MS | 1210950000 | D.56 |
| VP M63 K54 | 1776970000 | D.53 |
| VP M63-EXE SW | 1737130000 | D.55 |
| VP M63-MS65 | 1777790000 | D.54 |

W

| Type | Order No. | Page |
|----------|------------|------|
| WDU 4 | 1020100000 | C.46 |
| WDU 4 | 1020100000 | C.47 |
| WDU 4 | 1020100000 | C.79 |
| WDU 4 | 1020100000 | C.80 |
| WDU 4 | 1020100000 | C.81 |
| WDU 4 BL | 1020180000 | C.44 |
| WDU 4 BL | 1020180000 | C.45 |
| WDU 4 BL | 1020180000 | C.78 |
| WPE 4 | 1010100000 | C.46 |
| WPE 4 | 1010100000 | C.47 |
| WPE 4 | 1010100000 | C.80 |
| WPE 4 | 1010100000 | C.81 |

| Order No. | Type | Page |
|-----------|------|------|
|-----------|------|------|

0290000000

| | | |
|------------|--------------|------|
| 0294700000 | VP 9-MS65 | D.54 |
| 0294760000 | VP 9-K54 | D.53 |
| 0294800000 | VP 11-MS65 | D.54 |
| 0294860000 | VP 11-K54 | D.53 |
| 0294900000 | VP 13,5-MS65 | D.54 |
| 0294960000 | VP 13,5-K54 | D.53 |
| 0295000000 | VP 16-MS65 | D.54 |
| 0295060000 | VP 16-K54 | D.53 |
| 0295100000 | VP 21-MS65 | D.54 |
| 0295160000 | VP 21-K54 | D.53 |

0340000000

| | | |
|------------|------------|-------|
| 0342000000 | KLIPPON K1 | C.94 |
| 0342000000 | KLIPPON K1 | C.99 |
| 0342000000 | KLIPPON K1 | C.116 |
| 0342100000 | KLIPPON K2 | C.94 |
| 0342100000 | KLIPPON K2 | C.101 |
| 0342100000 | KLIPPON K2 | C.116 |
| 0342200000 | KLIPPON K3 | C.94 |
| 0342200000 | KLIPPON K3 | C.103 |
| 0342200000 | KLIPPON K3 | C.116 |
| 0342300000 | KLIPPON K4 | C.94 |
| 0342300000 | KLIPPON K4 | C.106 |
| 0342300000 | KLIPPON K4 | C.116 |
| 0342400000 | KLIPPON K5 | C.94 |
| 0342400000 | KLIPPON K5 | C.108 |
| 0342400000 | KLIPPON K5 | C.116 |
| 0342500000 | KLIPPON K6 | C.94 |
| 0342500000 | KLIPPON K6 | C.111 |
| 0342600000 | KLIPPON K7 | C.94 |
| 0342600000 | KLIPPON K7 | C.113 |

0360000000

| | | |
|------------|-------------------|-------|
| 0360100000 | TBF 19/15/14 7035 | C.168 |
| 0360100000 | TBF 19/15/14 7035 | C.170 |
| 0360200000 | TBF 30/19/18 7035 | C.168 |
| 0360200000 | TBF 30/19/18 7035 | C.170 |
| 0360300000 | TBF 30/30/18 7035 | C.168 |
| 0360300000 | TBF 30/30/18 7035 | C.171 |
| 0360400000 | TBF 37/30/18 7035 | C.168 |
| 0360400000 | TBF 37/30/18 7035 | C.171 |
| 0360500000 | TBF 60/30/18 7035 | C.168 |
| 0360500000 | TBF 60/30/18 7035 | C.173 |
| 0360800000 | MF TBF | C.170 |
| 0360800000 | MF TBF | C.171 |
| 0360800000 | MF TBF | C.172 |
| 0360800000 | MF TBF | C.173 |
| 0360800000 | MF TBF | C.174 |

0430000000

| | | |
|------------|--------------------|------|
| 0433500000 | SFNS5 VKMU M5 SW15 | C.68 |
| 0433500000 | SFNS5 VKMU M5 SW15 | C.69 |
| 0433500000 | SFNS5 VKMU M5 SW15 | C.70 |
| 0433500000 | SFNS5 VKMU M5 SW15 | C.71 |
| 0433500000 | SFNS5 VKMU M5 SW15 | C.72 |
| 0433500000 | SFNS5 VKMU M5 SW15 | C.73 |
| 0433500000 | SFNS5 VKMU M5 SW15 | C.74 |
| 0433500000 | SFNS5 VKMU M5 SW15 | C.75 |

0500000000

| | | |
|------------|-------------------|-------|
| 0500500000 | TBF 19/15/14 TRSP | C.168 |
| 0500500000 | TBF 19/15/14 TRSP | C.170 |
| 0500600000 | TBF 30/19/18 TRSP | C.168 |
| 0500600000 | TBF 30/19/18 TRSP | C.170 |
| 0500700000 | TBF 30/30/18 TRSP | C.168 |
| 0500700000 | TBF 30/30/18 TRSP | C.171 |
| 0500800000 | TBF 37/30/18 TRSP | C.168 |
| 0500800000 | TBF 37/30/18 TRSP | C.171 |
| 0500900000 | TBF 60/30/21 TRSP | C.168 |
| 0500900000 | TBF 60/30/21 TRSP | C.173 |
| 0501100000 | VP 29-MS65 | D.54 |
| 0501160000 | VP 29-K54 | D.53 |
| 0501200000 | VP 36-MS65 | D.54 |
| 0501260000 | VP 36-K54 | D.53 |
| 0501300000 | VP 42-MS65 | D.54 |
| 0501360000 | VP 42-K54 | D.53 |

0520000000

| | | |
|------------|-----------|------|
| 0521600000 | VP 7-MS65 | D.54 |
|------------|-----------|------|

0570000000

| | | |
|------------|-------------|-------|
| 0573200000 | KLIPPON K0 | C.94 |
| 0573200000 | KLIPPON K0 | C.96 |
| 0573300000 | KLIPPON K11 | C.94 |
| 0573300000 | KLIPPON K11 | C.100 |
| 0573300000 | KLIPPON K11 | C.116 |
| 0573400000 | KLIPPON K21 | C.94 |
| 0573400000 | KLIPPON K21 | C.102 |
| 0573400000 | KLIPPON K21 | C.116 |
| 0573500000 | KLIPPON K31 | C.94 |
| 0573500000 | KLIPPON K31 | C.104 |

| Order No. | Type | Page |
|-----------|------|------|
|-----------|------|------|

| | | |
|------------|-------------|-------|
| 0573500000 | KLIPPON K31 | C.116 |
| 0573600000 | KLIPPON K61 | C.94 |
| 0573600000 | KLIPPON K61 | C.112 |
| 0573700000 | KLIPPON K71 | C.94 |
| 0573700000 | KLIPPON K71 | C.114 |

0640000000

| | | |
|------------|------------------|-------|
| 0642600000 | FKSC M6X8 D9/SW3 | C.15 |
| 0642600000 | FKSC M6X8 D9/SW3 | C.16 |
| 0642600000 | FKSC M6X8 D9/SW3 | C.17 |
| 0642600000 | FKSC M6X8 D9/SW3 | C.18 |
| 0642600000 | FKSC M6X8 D9/SW3 | C.19 |
| 0642600000 | FKSC M6X8 D9/SW3 | C.20 |
| 0642600000 | FKSC M6X8 D9/SW3 | C.21 |
| 0642600000 | FKSC M6X8 D9/SW3 | C.22 |
| 0642600000 | FKSC M6X8 D9/SW3 | C.23 |
| 0642600000 | FKSC M6X8 D9/SW3 | C.24 |
| 0642600000 | FKSC M6X8 D9/SW3 | C.25 |
| 0642600000 | FKSC M6X8 D9/SW3 | C.26 |
| 0642600000 | FKSC M6X8 D9/SW3 | C.27 |
| 0642600000 | FKSC M6X8 D9/SW3 | C.28 |
| 0642600000 | FKSC M6X8 D9/SW3 | C.29 |
| 0642600000 | FKSC M6X8 D9/SW3 | C.30 |
| 0642600000 | FKSC M6X8 D9/SW3 | C.31 |
| 0642600000 | FKSC M6X8 D9/SW3 | C.32 |
| 0642600000 | FKSC M6X8 D9/SW3 | C.33 |
| 0642600000 | FKSC M6X8 D9/SW3 | C.34 |
| 0642600000 | FKSC M6X8 D9/SW3 | C.35 |
| 0642600000 | FKSC M6X8 D9/SW3 | C.36 |
| 0642600000 | FKSC M6X8 D9/SW3 | C.44 |
| 0642600000 | FKSC M6X8 D9/SW3 | C.45 |
| 0642600000 | FKSC M6X8 D9/SW3 | C.46 |
| 0642600000 | FKSC M6X8 D9/SW3 | C.47 |
| 0642600000 | FKSC M6X8 D9/SW3 | C.132 |
| 0642600000 | FKSC M6X8 D9/SW3 | C.133 |
| 0642600000 | FKSC M6X8 D9/SW3 | C.134 |
| 0642600000 | FKSC M6X8 D9/SW3 | C.135 |
| 0642600000 | FKSC M6X8 D9/SW3 | C.136 |
| 0642600000 | FKSC M6X8 D9/SW3 | C.137 |
| 0642600000 | FKSC M6X8 D9/SW3 | C.138 |
| 0642600000 | FKSC M6X8 D9/SW3 | C.139 |
| 0642600000 | FKSC M6X8 D9/SW3 | C.140 |
| 0642600000 | FKSC M6X8 D9/SW3 | C.141 |
| 0642600000 | FKSC M6X8 D9/SW3 | C.142 |
| 0642600000 | FKSC M6X8 D9/SW3 | C.143 |
| 0642600000 | FKSC M6X8 D9/SW3 | C.144 |
| 0642600000 | FKSC M6X8 D9/SW3 | C.145 |
| 0642600000 | FKSC M6X8 D9/SW3 | C.146 |
| 0642600000 | FKSC M6X8 D9/SW3 | C.147 |
| 0642600000 | FKSC M6X8 D9/SW3 | C.148 |

0890000000

| | | |
|------------|----------|------|
| 0899750000 | KSWF M20 | D.48 |
| 0899770000 | KSWF M25 | D.48 |
| 0899780000 | KSWN M40 | D.47 |

0900000000

| | | |
|------------|----------|------|
| 0900680000 | KSWN M50 | D.47 |
|------------|----------|------|

0930000000

| | | |
|------------|-------------------------|------|
| 0930001221 | KDSU M20 BS 0 NI 1 G16 | D.26 |
| 0930001221 | KDSU M20 BS 0 NI 1 G16 | D.28 |
| 0930001222 | KDSU M20 BS 0 NI 2 G16 | D.26 |
| 0930001222 | KDSU M20 BS 0 NI 2 G16 | D.28 |
| 0930011223 | KDSU M20 BS 0 NI 1 G20S | D.26 |
| 0930011223 | KDSU M20 BS 0 NI 1 G20S | D.28 |
| 0930011224 | KDSU M20 BS 0 NI 2 G20S | D.26 |
| 0930011224 | KDSU M20 BS 0 NI 2 G20S | D.28 |
| 0930021221 | KDSU M20 BS 0 NI 1 G20 | D.26 |
| 0930021221 | KDSU M20 BS 0 NI 1 G20 | D.28 |
| 0930021222 | KDSU M20 BS 0 NI 2 G20 | D.26 |
| 0930031221 | KDSU M25 BS 0 NI 1 G25 | D.26 |
| 0930031222 | KDSU M25 BS 0 NI 2 G25 | D.26 |
| 0930041221 | KDSU M32 BS 0 NI 1 G32 | D.26 |
| 0930041222 | KDSU M32 BS 0 NI 2 G32 | D.26 |
| 0930051222 | KDSU M40 BS 0 NI 2 G40 | D.26 |
| 0930061224 | KDSU M50 BS 0 NI 2 G50S | D.26 |
| 0930091222 | KDSU M63 BS 0 NI 2 G63 | D.26 |
| 0930481222 | KSG M20 BS 0 NI 2 G16 | D.34 |
| 0930491224 | KSG M20 BS 0 NI 2 G20S | D.34 |
| 0930501222 | KSG M20 BS 0 NI 2 G20 | D.34 |
| 0930511222 | KSG M25 BS 0 NI 2 G25 | D.34 |
| 0930521222 | KSG M32 BS 0 NI 2 G32 | D.34 |
| 0930531222 | KSG M40 BS 0 NI 2 G40 | D.34 |
| 0930640001 | SKMU M16 MS SC | D.43 |
| 0930640002 | SKMU M20 MS SC | D.43 |
| 0930640003 | SKMU M25 MS SC | D.43 |
| 0930640004 | SKMU M32 MS SC | D.43 |
| 0930640005 | SKMU M40 MS SC | D.43 |
| 0930640006 | SKMU M50 MS SC | D.43 |
| 0930640007 | SKMU M63 MS SC | D.43 |
| 0930640008 | SKMU M75 MS SC | D.43 |
| 0930700001 | KSP L24 S | D.50 |
| 0930700002 | KSP L30 S | D.50 |
| 0930700003 | KSP L38 S | D.50 |

| Order No. | Type | Page |
|-----------|------|------|
|-----------|------|------|

| | | |
|------------|-------------------|------|
| 0930700004 | KSP L46 S | D.50 |
| 0930700005 | KSP L55 S | D.50 |
| 0930700006 | KSP L65 S | D.50 |
| 0930700007 | KSP L80 S | D.50 |
| 0930700008 | KSP L90 S | D.50 |
| 0930710001 | EA-RING MS/M16 SC | D.49 |
| 0930710002 | EA-RING MS/M20 SC | D.49 |
| 0930710003 | EA-RING MS/M25 SC | D.49 |
| 0930710004 | EA-RING MS/M32 SC | D.49 |
| 0930710005 | EA-RING MS/M40 SC | D.49 |
| 0930710006 | EA-RING MS/M50 SC | D.49 |
| 0930710007 | EA-RING MS/M63 SC | D.49 |
| 0930710008 | EA-RING MS/M75 SC | D.49 |
| 0930730002 | KSWN M20 | D.47 |
| 0935110000 | SP M6 10 S2 | C.15 |
| 0935110000 | SP M6 10 S2 | C.16 |
| 0935110000 | SP M6 10 S2 | C.17 |
| 0935110000 | SP M6 10 S2 | C.18 |
| 0935110000 | SP M6 10 S2 | C.19 |
| 0935110000 | SP M6 10 S2 | C.20 |
| 0935110000 | SP M6 10 S2 | C.21 |
| 0935110000 | SP M6 10 S2 | C.22 |
| 0935110000 | SP M6 10 S2 | C.23 |
| 0935110000 | SP M6 10 S2 | C.24 |
| 0935110000 | SP M6 10 S2 | C.25 |
| 0935110000 | SP M6 10 S2 | C.26 |
| 0935110000 | SP M6 10 S2 | C.27 |
| 0935110000 | SP M6 10 S2 | C.28 |
| 0935110000 | SP M6 10 S2 | C.29 |
| 0935110000 | SP M6 10 S2 | C.30 |
| 0935110000 | SP M6 10 S2 | C.31 |
| 0935110000 | SP M6 10 S2 | C.32 |
| 0935110000 | SP M6 10 S2 | C.33 |
| 0935110000 | SP M6 10 S2 | C.34 |
| 0935110000 | SP M6 10 S2 | C.35 |
| 0935110000 | SP M6 10 S2 | C.36 |
| 0935110000 | SP M6 10 S2 | C.52 |
| 0935110000 | SP M6 10 S2 | C.53 |
| 0935110000 | SP M6 10 S2 | C.54 |
| 0935110000 | SP M6 10 S2 | C.55 |
| 0935110000 | SP M6 10 S2 | C.56 |
| 0935110000 | SP M6 10 S2 | C.57 |
| 0935110000 | SP M6 10 S2 | C.58 |
| 0935110000 | SP M6 10 S2 | C.59 |
| 0935110000 | SP M6 10 S2 | C.60 |
| 0935110000 | SP M6 10 S2 | C.61 |
| 0935110000 | SP M6 10 S2 | C.62 |
| 0935120000 | SP M6 15 S2 | C.15 |
| 0935120000 | SP M6 15 S2 | C.16 |
| 0935120000 | SP M6 15 S2 | C.17 |
| 0935120000 | SP M6 15 S2 | C.18 |
| 0935120000 | SP M6 15 S2 | C.19 |
| 0935120000 | SP M6 15 S2 | C.20 |
| 0935120000 | SP M6 15 S2 | C.21 |
| 0935120000 | SP M6 15 S2 | C.22 |
| 0935120000 | SP M6 15 S2 | C.23 |
| 0935120000 | SP M6 15 S2 | C.24 |
| 0935120000 | SP M6 15 S2 | C.25 |
| 0935120000 | SP M6 15 S2 | C.26 |
| 0935120000 | SP M6 15 S2 | C.27 |
| 0935120000 | SP M6 15 S2 | C.28 |
| 0935120000 | SP M6 15 S2 | C.29 |
| 0935120000 | SP M6 15 S2 | C.30 |
| 0935120000 | SP M6 15 S2 | C.31 |
| 0935120000 | SP M6 15 S2 | C.32 |
| 0935120000 | SP M6 15 S2 | C.33 |
| 0935120000 | SP M6 15 S2 | C.34 |
| 0935120000 | SP M6 15 S2 | C.35 |
| 0935120000 | SP M6 15 S2 | C.36 |
| 0935120000 | SP M6 15 S2 | C.37 |
| 0935120000 | SP M6 15 S2 | C.38 |
| 0935120000 | SP M6 15 S2 | C.39 |
| 0935120000 | SP M6 15 S2 | C.40 |
| 0935120000 | SP M6 15 S2 | C.41 |
| 0935120000 | SP M6 15 S2 | C.42 |
| 0935120000 | SP M6 15 S2 | C.43 |
| 0935120000 | SP M6 15 S2 | C.44 |
| 0935120000 | SP M6 15 S2 | C.45 |
| 0935120000 | SP M6 15 S2 | C.46 |
| 0935120000 | SP M6 15 S2 | C.47 |
| 0935120000 | SP M6 15 S2 | C.48 |
| 0935120000 | SP M6 15 S2 | C.49 |
| 0935120000 | SP M6 15 S2 | C.50 |
| 0935120000 | SP M6 15 S2 | C.51 |
| 0935120000 | SP M6 15 S2 | C.52 |
| 0935120000 | SP M6 15 S2 | C.53 |
| 0935120000 | SP M6 15 S2 | C.54 |
| 0935120000 | SP M6 15 S2 | C.55 |
| 0935120000 | SP M6 15 S2 | C.56 |
| 0935120000 | SP M6 15 S2 | C.57 |
| 0935120000 | SP M6 15 S2 | C.58 |
| 0935120000 | SP M6 15 S2 | C.59 |
| 0935120000 | SP M6 15 S2 | C.60 |
| 0935120000 | SP M6 15 S2 | C.61 |
| 0935120000 | SP M6 15 S2 | C.62 |
| 0935130000 | SP M6 2 | |

| Order No. | Type | Page |
|-----------|-----------------------|------|
| 102010000 | WDU 4 | C.81 |
| 102018000 | WDU 4 BL | C.44 |
| 102018000 | WDU 4 BL | C.45 |
| 102018000 | WDU 4 BL | C.78 |
| 102497000 | KLIPPON STB 1 MS HT | C.66 |
| 102497000 | KLIPPON STB 1 MS HT | C.68 |
| 102498000 | KLIPPON STB 1.1 MS HT | C.66 |
| 102498000 | KLIPPON STB 1.1 MS HT | C.69 |
| 102499000 | KLIPPON STB 2 MS HT | C.66 |
| 102499000 | KLIPPON STB 2 MS HT | C.70 |
| 102501000 | KLIPPON STB 2.1 MS HT | C.66 |
| 102501000 | KLIPPON STB 2.1 MS HT | C.71 |
| 102502000 | KLIPPON STB 3 MS HT | C.66 |
| 102502000 | KLIPPON STB 3 MS HT | C.72 |
| 102503000 | KLIPPON STB 4 MS HT | C.66 |
| 102503000 | KLIPPON STB 4 MS HT | C.73 |
| 102504000 | KLIPPON STB 5 MS HT | C.66 |
| 102504000 | KLIPPON STB 5 MS HT | C.74 |
| 102505000 | KLIPPON STB 6 MS HT | C.66 |
| 102505000 | KLIPPON STB 6 MS HT | C.75 |

105000000

| | | |
|-----------|----------------------|------|
| 105881000 | KLIPPON STB 1 SS E | C.66 |
| 105881000 | KLIPPON STB 1 SS E | C.68 |
| 105882000 | KLIPPON STB 1.1 SS E | C.66 |
| 105882000 | KLIPPON STB 1.1 SS E | C.69 |
| 105883000 | KLIPPON STB 2 SS E | C.66 |
| 105883000 | KLIPPON STB 2 SS E | C.70 |
| 105884000 | KLIPPON STB 2.1 SS E | C.66 |
| 105884000 | KLIPPON STB 2.1 SS E | C.71 |
| 105885000 | KLIPPON STB 3 SS E | C.66 |
| 105885000 | KLIPPON STB 3 SS E | C.72 |
| 105886000 | KLIPPON STB 4 SS E | C.66 |
| 105886000 | KLIPPON STB 4 SS E | C.73 |
| 105887000 | KLIPPON STB 6 SS E | C.66 |
| 105887000 | KLIPPON STB 6 SS E | C.75 |
| 105888000 | KLIPPON STB 5 SS E | C.66 |
| 105888000 | KLIPPON STB 5 SS E | C.74 |

107000000

| | | |
|-----------|-------------------------|------|
| 107468000 | KDSW M20 BN L NI 1 G16 | D.31 |
| 107469000 | KDSW M20 BN L NI 2 G16 | D.31 |
| 107472000 | KDSW M20 BN L NI 1 G20S | D.31 |
| 107474000 | KDSW M20 BN L NI 2 G20S | D.31 |
| 107476000 | KDSW M20 BN L NI 1 G20 | D.31 |
| 107478000 | KDSW M20 BN L NI 2 G20 | D.31 |
| 107481000 | KDSW M25 BN L NI 1 G25 | D.31 |
| 107483000 | KDSW M25 BN L NI 2 G25 | D.31 |
| 107485000 | KDSW M32 BN L NI 1 G32 | D.31 |
| 107486000 | KDSW M32 BN L NI 2 G32 | D.31 |
| 107487000 | KDSW M40 BN L NI 1 G40 | D.31 |
| 107488000 | KDSW M40 BN L NI 2 G40 | D.31 |
| 107489000 | KDSW M50 BN L NI 1 G50S | D.31 |
| 107491000 | KDSW M50 BN L NI 2 G50S | D.31 |
| 107492000 | KDSW M50 BN L NI 1 G50 | D.31 |
| 107493000 | KDSW M50 BN L NI 2 G50 | D.31 |
| 107494000 | KDSW M63 BN L NI 1 G63S | D.31 |
| 107495000 | KDSW M63 BN L NI 2 G63S | D.31 |
| 107496000 | KDSW M63 BN L NI 1 G63 | D.31 |
| 107497000 | KDSW M63 BN L NI 2 G63 | D.31 |
| 107498000 | KDSW M75 BN L NI 1 G75S | D.31 |
| 107499000 | KDSW M75 BN L NI 2 G75S | D.31 |
| 107501000 | KDSW M75 BN L NI 1 G75 | D.31 |
| 107502000 | KDSW M75 BN L NI 2 G75 | D.31 |
| 107503000 | KDSW M20 BN O NI 1 G16 | D.29 |
| 107504000 | KDSW M20 BN O NI 2 G16 | D.29 |
| 107505000 | KDSW M20 BN O NI 1 G20S | D.29 |
| 107506000 | KDSW M20 BN O NI 2 G20S | D.29 |
| 107507000 | KDSW M20 BN O NI 1 G20 | D.29 |
| 107508000 | KDSW M20 BN O NI 2 G20 | D.29 |
| 107509000 | KDSW M25 BN O NI 1 G25 | D.29 |
| 107510000 | KDSW M25 BN O NI 2 G25 | D.29 |
| 107512000 | KDSW M32 BN O NI 1 G32 | D.29 |
| 107513000 | KDSW M32 BN O NI 2 G32 | D.29 |
| 107514000 | KDSW M40 BN O NI 1 G40 | D.29 |
| 107515000 | KDSW M40 BN O NI 2 G40 | D.29 |
| 107516000 | KDSW M50 BN O NI 1 G50S | D.29 |
| 107517000 | KDSW M50 BN O NI 2 G50S | D.29 |
| 107518000 | KDSW M50 BN O NI 1 G50 | D.29 |
| 107519000 | KDSW M50 BN O NI 2 G50 | D.29 |
| 107521000 | KDSW M63 BN O NI 1 G63S | D.29 |
| 107522000 | KDSW M63 BN O NI 2 G63S | D.29 |
| 107523000 | KDSW M63 BN O NI 1 G63 | D.29 |
| 107524000 | KDSW M63 BN O NI 2 G63 | D.29 |
| 107525000 | KDSW M75 BN O NI 1 G75S | D.29 |
| 107526000 | KDSW M75 BN O NI 2 G75S | D.29 |
| 107527000 | KDSW M75 BN O NI 1 G75 | D.29 |
| 107528000 | KDSW M75 BN O NI 2 G75 | D.29 |
| 107535000 | KSG M75 BN O NI 2 G75S | D.33 |
| 107536000 | KSG M75 BN O NI 2 G75 | D.33 |
| 107663000 | KSWN M16 | D.47 |
| 107664000 | KSWN M25 | D.47 |
| 107665000 | KSWN M32 | D.47 |
| 107666000 | KSWN M63 | D.47 |
| 107667000 | KSWN M75 | D.47 |
| 107668000 | KSWF M16 | D.48 |
| 107669000 | KSWF M32 | D.48 |

| Order No. | Type | Page |
|-----------|----------|------|
| 107671000 | KSWF M40 | D.48 |
| 107672000 | KSWF M50 | D.48 |
| 107673000 | KSWF M63 | D.48 |
| 107674000 | KSWF M75 | D.48 |
| 107675000 | KSP EL46 | D.51 |
| 107676000 | KSP EL55 | 0.51 |
| 107677000 | KSP EL65 | 0.51 |
| 107678000 | KSP EL80 | 0.51 |
| 107679000 | KSP EL90 | 0.51 |

108000000

| | | |
|-----------|-------------------------|------|
| 108328000 | KDSU M20 BN O NI 1 G16 | D.27 |
| 108329000 | KDSU M20 BN O NI 1 G20S | D.27 |
| 108332000 | KDSU M20 BN O NI 1 G20 | D.27 |
| 108333000 | KDSU M25 BN O NI 1 G25 | D.27 |
| 108334000 | KDSU M32 BN O NI 1 G32 | D.27 |
| 108335000 | KDSU M40 BN O NI 1 G40 | D.27 |
| 108336000 | KDSU M50 BN O NI 1 G50S | D.27 |
| 108337000 | KDSU M50 BN O NI 1 G50 | D.27 |
| 108338000 | KDSU M63 BN O NI 1 G63S | D.27 |
| 108339000 | KDSU M63 BN O NI 1 G63 | D.27 |
| 108340000 | KDSU M75 BN O NI 1 G75S | D.27 |
| 108341000 | KDSU M75 BN O NI 2 G75S | D.27 |
| 108342000 | KDSU M75 BN O NI 1 G75 | D.27 |
| 108343000 | KDSU M75 BN O NI 2 G75 | D.27 |

113000000

| | | |
|-----------|-------------------------|------|
| 113591000 | KDSX M20 BS O NI 1 G16 | D.32 |
| 113592000 | KDSX M20 BS O NI 2 G16 | D.32 |
| 113593000 | KDSX M20 BS O NI 1 G20S | D.32 |
| 113594000 | KDSX M20 BS O NI 2 G20S | D.32 |
| 113595000 | KDSX M20 BS O NI 1 G20 | D.32 |
| 113596000 | KDSX M20 BS O NI 2 G20 | D.32 |
| 113597000 | KDSX M25 BS O NI 1 G25 | D.32 |
| 113598000 | KDSX M25 BS O NI 2 G25 | D.32 |
| 113599000 | KDSX M32 BS O NI 1 G32 | D.32 |
| 113600000 | KDSX M32 BS O NI 2 G32 | D.32 |
| 113601000 | KDSX M40 BS O NI 1 G40 | D.32 |
| 113602000 | KDSX M40 BS O NI 2 G40 | D.32 |
| 113603000 | KDSX M50 BS O NI 1 G50S | D.32 |
| 113604000 | KDSX M50 BS O NI 2 G50S | D.32 |
| 113605000 | KDSX M50 BS O NI 1 G50 | D.32 |
| 113606000 | KDSX M50 BS O NI 2 G50 | D.32 |
| 113607000 | KDSX M63 BS O NI 1 G63S | D.32 |
| 113608000 | KDSX M63 BS O NI 2 G63S | D.32 |
| 113609000 | KDSX M63 BS O NI 1 G63 | D.32 |
| 113610000 | KDSX M63 BS O NI 2 G63 | D.32 |
| 113612000 | KDSX M75 BS O NI 1 G75S | D.32 |
| 113613000 | KDSX M75 BS O NI 2 G75S | D.32 |
| 113614000 | KDSX M75 BS O NI 1 G75 | D.32 |
| 113615000 | KDSX M75 BS O NI 2 G75 | D.32 |
| 113616000 | KDSW M20 BS O NI 1 G16 | D.30 |
| 113617000 | KDSW M20 BS O NI 2 G16 | D.30 |
| 113618000 | KDSW M20 BS O NI 1 G20S | D.30 |
| 113619000 | KDSW M20 BS O NI 2 G20S | D.30 |
| 113620000 | KDSW M20 BS O NI 1 G20 | D.30 |
| 113621000 | KDSW M20 BS O NI 2 G20 | D.30 |
| 113622000 | KDSW M25 BS O NI 1 G25 | D.30 |
| 113623000 | KDSW M25 BS O NI 2 G25 | D.30 |
| 113624000 | KDSW M32 BS O NI 1 G32 | D.30 |
| 113625000 | KDSW M32 BS O NI 2 G32 | D.30 |
| 113626000 | KDSW M40 BS O NI 1 G40 | D.30 |
| 113627000 | KDSW M40 BS O NI 2 G40 | D.30 |
| 113628000 | KDSW M50 BS O NI 1 G50S | D.30 |
| 113629000 | KDSW M50 BS O NI 2 G50S | D.30 |
| 113630000 | KDSW M50 BS O NI 1 G50 | D.30 |
| 113631000 | KDSW M50 BS O NI 2 G50 | D.30 |
| 113632000 | KDSW M63 BS O NI 1 G63S | D.30 |
| 113633000 | KDSW M63 BS O NI 2 G63S | D.30 |
| 113634000 | KDSW M63 BS O NI 1 G63 | D.30 |
| 113635000 | KDSW M63 BS O NI 2 G63 | D.30 |
| 113636000 | KDSW M75 BS O NI 1 G75S | D.30 |
| 113637000 | KDSW M75 BS O NI 2 G75S | D.30 |
| 113638000 | KDSW M75 BS O NI 1 G75 | D.30 |
| 113639000 | KDSW M75 BS O NI 2 G75 | D.30 |
| 113640000 | KSG M50 BS O NI 2 G50 | D.34 |
| 113641000 | KSG M63 BS O NI 2 G63S | D.34 |
| 113642000 | KSG M63 BS O NI 1 G63 | D.34 |
| 113643000 | KSG M63 BS O NI 2 G63 | D.34 |
| 113644000 | KSG M75 BS O NI 2 G75S | D.34 |
| 113645000 | KSG M75 BS O NI 1 G75 | D.34 |
| 113646000 | KSG M75 BS O NI 2 G75 | D.34 |
| 113647000 | KSG M75 BS O NI 1 G75 | D.34 |
| 113648000 | KSG M75 BS O NI 2 G75 | D.34 |
| 113649000 | KSG M75 BS O NI 1 G75 | D.34 |
| 113650000 | KSG M75 BS O NI 2 G75 | D.34 |
| 113651000 | KSG M75 BS O NI 1 G75 | D.34 |
| 113652000 | KSG M75 BS O NI 2 G75 | D.34 |
| 113653000 | KSG M75 BS O NI 1 G75 | D.34 |
| 113654000 | KSG M75 BS O NI 2 G75 | D.34 |
| 113655000 | KSG M75 BS O NI 1 G75 | D.34 |
| 113656000 | KSG M75 BS O NI 2 G75 | D.34 |
| 113657000 | KSG M75 BS O NI 1 G75 | D.34 |
| 113658000 | KSG M75 BS O NI 2 G75 | D.34 |
| 113659000 | KSG M75 BS O NI 1 G75 | D.34 |
| 113660000 | KSG M75 BS O NI 2 G75 | D.34 |
| 113661000 | KSG M75 BS O NI 1 G75 | D.34 |
| 113662000 | KSG M75 BS O NI 2 G75 | D.34 |
| 113663000 | KSG M75 BS O NI 1 G75 | D.34 |
| 113664000 | KSG M75 BS O NI 2 G75 | D.34 |
| 113665000 | KSG M75 BS O NI 1 G75 | D.34 |
| 113666000 | KSG M75 BS O NI 2 G75 | D.34 |
| 113667000 | KSG M75 BS O NI 1 G75 | D.34 |
| 113668000 | KSG M75 BS O NI 2 G75 | D.34 |
| 113669000 | KSG M75 BS O NI 1 G75 | D.34 |
| 113670000 | KSG M75 BS O NI 2 G75 | D.34 |
| 113671000 | KSG M75 BS O NI 1 G75 | D.34 |
| 113672000 | KSG M75 BS O NI 2 G75 | D.34 |
| 113673000 | KSG M75 BS O NI 1 G75 | D.34 |
| 113674000 | KSG M75 BS O NI 2 G75 | D.34 |
| 113675000 | KSG M75 BS O NI 1 G75 | D.34 |
| 113676000 | KSG M75 BS O NI 2 G75 | D.34 |
| 113677000 | KSG M75 BS O NI 1 G75 | D.34 |
| 113678000 | KSG M75 BS O NI 2 G75 | D.34 |
| 113679000 | KSG M75 BS O NI 1 G75 | D.34 |
| 113680000 | KSG M75 BS O NI 2 G75 | D.34 |
| 113681000 | KSG M75 BS O NI 1 G75 | D.34 |
| 113682000 | KSG M75 BS O NI 2 G75 | D.34 |
| 113683000 | KSG M75 BS O NI 1 G75 | D.34 |
| 113684000 | KSG M75 BS O NI 2 G75 | D.34 |
| 113685000 | KSG M75 BS O NI 1 G75 | D.34 |
| 113686000 | KSG M75 BS O NI 2 G75 | D.34 |
| 113687000 | KSG M75 BS O NI 1 G75 | D.34 |
| 113688000 | KSG M75 BS O NI 2 G75 | D.34 |
| 113689000 | KSG M75 BS O NI 1 G75 | D.34 |
| 113690000 | KSG M75 BS O NI 2 G75 | D.34 |

119000000

| | | |
|-----------|----------------|------|
| 119160000 | KTB QLL S2 SLS | C.52 |
| 119160000 | KTB QLL S2 SLS | C.53 |

| Order No. | Type | Page |
|-----------|---------------------|------|
| 119160000 | KTB QLL S2 SLS | C.54 |
| 119160000 | KTB QLL S2 SLS | C.55 |
| 119160000 | KTB QLL S2 SLS | C.56 |
| 119160000 | KTB QLL S2 SLS | C.57 |
| 119160000 | KTB QLL S2 SLS | C.58 |
| 119160000 | KTB QLL S2 SLS | C.59 |
| 119160000 | KTB QLL S2 SLS | C.60 |
| 119160000 | KTB QLL S2 SLS | C.61 |
| 119160000 | KTB QLL S2 SLS | C.62 |
| 119269000 | PEBZ M10 KTB S4 SET | C.15 |
| 119269000 | PEBZ M10 KTB S4 SET | C.16 |
| 119269000 | PEBZ M10 KTB S4 SET | C.17 |
| 119269000 | PEBZ M10 KTB S4 SET | C.18 |
| 119269000 | PEBZ M10 KTB S4 SET | C.19 |
| 119269000 | PEBZ M10 KTB S4 SET | C.20 |
| 119269000 | PEBZ M10 KTB S4 SET | C.21 |
| 119269000 | PEBZ M10 KTB S4 SET | C.22 |
| 119269000 | PEBZ M10 KTB S4 SET | C.23 |
| 119269000 | PEBZ M10 KTB S4 SET | C.24 |
| 119269000 | PEBZ M10 KTB S4 SET | C.25 |
| 119269000 | PEBZ M10 KTB S4 SET | C.26 |
| 119269000 | PEBZ M10 KTB S4 SET | C.27 |
| 119269000 | PEBZ M10 KTB S4 SET | C.28 |
| 119269000 | PEBZ M10 KTB S4 SET | C.29 |
| 119269000 | PEBZ M10 KTB S4 SET | C.30 |
| 119269000 | PEBZ M10 KTB S4 SET | C.31 |
| 119269000 | PEBZ M10 KTB S4 SET | C.32 |
| 119269000 | PEBZ M10 KTB S4 SET | C.33 |
| 119269000 | PEBZ M10 KTB S4 SET | C.34 |
| 119269000 | PEBZ M10 KTB S4 SET | C.35 |
| 119269000 | PEBZ M10 KTB S4 SET | C.36 |
| 119269000 | PEBZ M10 KTB S4 SET | C.44 |
| 119269000 | PEBZ M10 KTB S4 SET | C.45 |
| 119269000 | PEBZ M10 KTB S4 SET | C.46 |
| 119269000 | PEBZ M10 KTB S4 SET | C.47 |
| 119279000 | KSP L114 S | D.50 |
| 119357000 | VGM25-S568 11-20 BG | D.14 |
| 119358000 | VGM32-S568 15-25 BG | D.14 |
| 119359000 | VGM40-S568 20-32 BG | D.14 |
| 119360000 | VGM25-S568 11-20 BG | D.9 |
| 119361000 | VGM32-S568 15-25 BG | D.9 |
| 119362000 | VGM40-S568 20-32 BG | D.9 |
| 119381000 | KTB MOPL 2215 S2N | C.15 |
| 119381000 | KTB MOPL 2215 S2N | C.44 |
| 119382000 | KTB MOPL 2626 S2N | C.17 |
| 119382000 | KTB MOPL 2626 S2N | C.45 |
| 119383000 | KTB MOPL 3030 S2N | C.18 |
| 119383000 | KTB MOPL 3030 S2N | C.19 |
| 119383000 | KTB MOPL 3030 S2N | C.46 |
| 119384000 | KTB MOPL 3526 S2N | C.20 |
| 119384 | | |

| Order No. | Type | Page | Order No. | Type | Page | Order No. | Type | Page | Order No. | Type | Page |
|------------|--------------------|------|------------|--------------------|------|------------|--------------------|------|------------|------------------------|------|
| 1195070000 | KTb MH 453820 S4E2 | C.25 | 1195570000 | KTb MH 916120 S4E2 | C.12 | 1196480000 | KTb FS 624520 S4E3 | C.40 | 1200570000 | KTb QL 553515 S4E2 | C.38 |
| 1195080000 | KTb MH 453820 S4E3 | C.12 | 1195570000 | KTb MH 916120 S4E2 | C.35 | 1196490000 | KTb FS 624520 S4E4 | C.40 | 1200580000 | KTb QL 553515 S4E3 | C.38 |
| 1195080000 | KTb MH 453820 S4E3 | C.25 | 1195580000 | KTb MH 916120 S4E3 | C.12 | 1196500000 | KTb FS 765015 S4E0 | C.40 | 1200590000 | KTb QL 553515 S4E4 | C.38 |
| 1195090000 | KTb MH 453820 S4E4 | C.12 | 1195580000 | KTb MH 916120 S4E3 | C.35 | 1196510000 | KTb FS 765015 S4E1 | C.40 | 1200610000 | KTb QL 553520 S4E0 | C.38 |
| 1195090000 | KTb MH 453820 S4E4 | C.25 | 1195590000 | KTb MH 916120 S4E4 | C.12 | 1196520000 | KTb FS 765015 S4E2 | C.40 | 1200620000 | KTb QL 553520 S4E1 | C.38 |
| 1195100000 | KTb MH 484815 S4E0 | C.12 | 1195590000 | KTb MH 916120 S4E4 | C.35 | 1196530000 | KTb FS 765015 S4E3 | C.40 | 1200630000 | KTb QL 553520 S4E2 | C.38 |
| 1195100000 | KTb MH 484815 S4E0 | C.26 | 1195600000 | KTb MH 987420 S4E0 | C.12 | 1196540000 | KTb FS 765015 S4E4 | C.40 | 1200640000 | KTb QL 553520 S4E3 | C.38 |
| 1195110000 | KTb MH 484815 S4E1 | C.12 | 1195600000 | KTb MH 987420 S4E0 | C.36 | 1196550000 | KTb FS 765020 S4E0 | C.40 | 1200650000 | KTb QL 553520 S4E4 | C.38 |
| 1195110000 | KTb MH 484815 S4E1 | C.26 | 1195610000 | KTb MH 987420 S4E1 | C.12 | 1196560000 | KTb FS 765020 S4E1 | C.40 | 1200660000 | KTb QL 624515 S4E0 | C.38 |
| 1195120000 | KTb MH 484815 S4E2 | C.12 | 1195610000 | KTb MH 987420 S4E1 | C.36 | 1196570000 | KTb FS 765020 S4E2 | C.40 | 1200670000 | KTb QL 624515 S4E1 | C.38 |
| 1195120000 | KTb MH 484815 S4E2 | C.26 | 1195620000 | KTb MH 987420 S4E2 | C.12 | 1196580000 | KTb FS 765020 S4E3 | C.40 | 1200680000 | KTb QL 624515 S4E2 | C.38 |
| 1195130000 | KTb MH 484815 S4E3 | C.12 | 1195620000 | KTb MH 987420 S4E2 | C.36 | 1196590000 | KTb FS 765020 S4E4 | C.40 | 1200690000 | KTb QL 624515 S4E3 | C.38 |
| 1195130000 | KTb MH 484815 S4E3 | C.26 | 1195630000 | KTb MH 987420 S4E3 | C.12 | 1196600000 | KTb FS 916115 S4E0 | C.40 | 1200710000 | KTb QL 624515 S4E4 | C.38 |
| 1195140000 | KTb MH 484815 S4E4 | C.12 | 1195630000 | KTb MH 987420 S4E3 | C.36 | 1196610000 | KTb FS 916115 S4E1 | C.40 | 1200720000 | KTb QL 624520 S4E0 | C.38 |
| 1195140000 | KTb MH 484815 S4E4 | C.26 | 1195640000 | KTb MH 987420 S4E4 | C.12 | 1196620000 | KTb FS 916115 S4E2 | C.40 | 1200730000 | KTb QL 624520 S4E1 | C.38 |
| 1195150000 | KTb MH 484820 S4E0 | C.12 | 1195640000 | KTb MH 987420 S4E4 | C.36 | 1196630000 | KTb FS 916115 S4E3 | C.40 | 1200740000 | KTb QL 624520 S4E2 | C.38 |
| 1195150000 | KTb MH 484820 S4E0 | C.26 | 1195650000 | KTb FS 221513 S4E0 | C.40 | 1196640000 | KTb FS 916115 S4E4 | C.40 | 1200750000 | KTb QL 624520 S4E3 | C.38 |
| 1195160000 | KTb MH 484820 S4E1 | C.12 | 1195650000 | KTb FS 221513 S4E1 | C.40 | 1196650000 | KTb FS 916120 S4E0 | C.40 | 1200760000 | KTb QL 624520 S4E4 | C.38 |
| 1195160000 | KTb MH 484820 S4E1 | C.27 | 1195670000 | KTb FS 221513 S4E2 | C.40 | 1196660000 | KTb FS 916120 S4E1 | C.40 | 1200770000 | KTb QL 765015 S4E0 | C.38 |
| 1195170000 | KTb MH 484820 S4E2 | C.12 | 1195680000 | KTb FS 221513 S4E3 | C.40 | 1196670000 | KTb FS 916120 S4E2 | C.40 | 1200780000 | KTb QL 765015 S4E1 | C.38 |
| 1195170000 | KTb MH 484820 S4E2 | C.27 | 1195690000 | KTb FS 221513 S4E4 | C.40 | 1196680000 | KTb FS 916120 S4E3 | C.40 | 1200790000 | KTb QL 765015 S4E2 | C.38 |
| 1195180000 | KTb MH 484820 S4E3 | C.12 | 1195700000 | KTb FS 262615 S4E0 | C.40 | 1196690000 | KTb FS 916120 S4E4 | C.40 | 1200810000 | KTb QL 765015 S4E3 | C.38 |
| 1195180000 | KTb MH 484820 S4E3 | C.27 | 1195710000 | KTb FS 262615 S4E1 | C.40 | 1196700000 | KTb FS 987420 S4E0 | C.40 | 1200820000 | KTb QL 765015 S4E4 | C.38 |
| 1195190000 | KTb MH 484820 S4E4 | C.12 | 1195720000 | KTb FS 262615 S4E2 | C.40 | 1196710000 | KTb FS 987420 S4E1 | C.40 | 1200830000 | KTb QL 765020 S4E0 | C.38 |
| 1195190000 | KTb MH 484820 S4E4 | C.27 | 1195730000 | KTb FS 262615 S4E3 | C.40 | 1196720000 | KTb FS 987420 S4E2 | C.40 | 1200840000 | KTb QL 765020 S4E1 | C.38 |
| 1195200000 | KTb MH 553515 S4E0 | C.12 | 1195740000 | KTb FS 262615 S4E4 | C.40 | 1196730000 | KTb FS 987420 S4E3 | C.40 | 1200850000 | KTb QL 765020 S4E2 | C.38 |
| 1195200000 | KTb MH 553515 S4E0 | C.26 | 1195750000 | KTb FS 262620 S4E0 | C.40 | 1196740000 | KTb FS 987420 S4E4 | C.40 | 1200860000 | KTb QL 765020 S4E3 | C.38 |
| 1195210000 | KTb MH 553515 S4E1 | C.12 | 1195760000 | KTb FS 262620 S4E1 | C.40 | 1196750000 | KTb FS 221513 S4E0 | C.38 | 1200870000 | KTb QL 765020 S4E4 | C.38 |
| 1195210000 | KTb MH 553515 S4E1 | C.26 | 1195770000 | KTb FS 262620 S4E2 | C.40 | 1196760000 | KTb FS 221513 S4E1 | C.38 | 1200880000 | KTb QL 916115 S4E0 | C.38 |
| 1195220000 | KTb MH 553515 S4E2 | C.12 | 1195780000 | KTb FS 262620 S4E3 | C.40 | 1196770000 | KTb FS 262615 S4E2 | C.38 | 1200890000 | KTb QL 916115 S4E1 | C.38 |
| 1195220000 | KTb MH 553515 S4E2 | C.26 | 1195790000 | KTb FS 262620 S4E4 | C.40 | 1196780000 | KTb FS 262615 S4E3 | C.38 | 1200910000 | KTb QL 916115 S4E2 | C.38 |
| 1195230000 | KTb MH 553515 S4E3 | C.12 | 1195800000 | KTb FS 303015 S4E0 | C.40 | 1196790000 | KTb FS 262615 S4E4 | C.38 | 1200920000 | KTb QL 916115 S4E3 | C.38 |
| 1195230000 | KTb MH 553515 S4E3 | C.26 | 1195810000 | KTb FS 303015 S4E1 | C.40 | 1196800000 | KTb FS 303015 S4E1 | C.40 | 1200930000 | KTb QL 916115 S4E4 | C.38 |
| 1195240000 | KTb MH 553515 S4E4 | C.12 | 1195820000 | KTb FS 303015 S4E2 | C.40 | 1196810000 | KTb FS 303015 S4E2 | C.40 | 1200940000 | KTb QL 916120 S4E0 | C.38 |
| 1195240000 | KTb MH 553515 S4E4 | C.26 | 1195830000 | KTb FS 303015 S4E3 | C.40 | 1196820000 | KTb FS 303015 S4E3 | C.40 | 1200950000 | KTb QL 916120 S4E1 | C.38 |
| 1195250000 | KTb MH 553520 S4E0 | C.12 | 1195840000 | KTb FS 303015 S4E4 | C.40 | 1196830000 | KTb FS 303015 S4E4 | C.40 | 1200960000 | KTb QL 916120 S4E2 | C.38 |
| 1195250000 | KTb MH 553520 S4E0 | C.26 | 1195850000 | KTb FS 303020 S4E0 | C.40 | 1196840000 | KTb FS 303020 S4E0 | C.40 | 1200970000 | KTb QL 916120 S4E3 | C.38 |
| 1195260000 | KTb MH 553520 S4E1 | C.12 | 1195860000 | KTb FS 303020 S4E1 | C.40 | 1196850000 | KTb FS 303020 S4E1 | C.40 | 1200980000 | KTb QL 916120 S4E4 | C.38 |
| 1195260000 | KTb MH 553520 S4E1 | C.26 | 1195870000 | KTb FS 303020 S4E2 | C.40 | 1196860000 | KTb FS 303020 S4E2 | C.40 | 1200990000 | KTb QL 987420 S4E0 | C.38 |
| 1195270000 | KTb MH 553520 S4E2 | C.12 | 1195880000 | KTb FS 303020 S4E3 | C.40 | 1196870000 | KTb FS 303020 S4E3 | C.40 | 1201010000 | KTb QL 987420 S4E1 | C.38 |
| 1195270000 | KTb MH 553520 S4E2 | C.26 | 1195890000 | KTb FS 303020 S4E4 | C.40 | 1196880000 | KTb FS 303020 S4E4 | C.40 | 1201020000 | KTb QL 987420 S4E2 | C.38 |
| 1195280000 | KTb MH 553520 S4E3 | C.12 | 1195900000 | KTb FS 352615 S4E0 | C.40 | 1196890000 | KTb FS 352615 S4E0 | C.40 | 1201030000 | KTb QL 987420 S4E3 | C.38 |
| 1195280000 | KTb MH 553520 S4E3 | C.26 | 1195910000 | KTb FS 352615 S4E1 | C.40 | 1196900000 | KTb FS 352615 S4E1 | C.40 | 1201040000 | KTb QL 987420 S4E4 | C.38 |
| 1195290000 | KTb MH 553520 S4E4 | C.12 | 1195920000 | KTb FS 352615 S4E2 | C.40 | 1196910000 | KTb FS 352615 S4E2 | C.40 | 1205890000 | VGMA40/1-MS88 20-32 BG | D.9 |
| 1195290000 | KTb MH 553520 S4E4 | C.26 | 1195930000 | KTb FS 352615 S4E3 | C.40 | 1196920000 | KTb FS 352615 S4E3 | C.40 | 1205920000 | VGMA40/1-S368 20-32 BG | D.14 |
| 1195300000 | KTb MH 624515 S4E0 | C.12 | 1195940000 | KTb FS 352615 S4E4 | C.40 | 1196930000 | KTb FS 352615 S4E4 | C.40 | | | |
| 1195300000 | KTb MH 624515 S4E0 | C.26 | 1195950000 | KTb FS 352620 S4E0 | C.40 | 1196940000 | KTb FS 352620 S4E0 | C.40 | | | |
| 1195310000 | KTb MH 624515 S4E1 | C.12 | 1195960000 | KTb FS 352620 S4E1 | C.40 | 1196950000 | KTb FS 352620 S4E1 | C.40 | | | |
| 1195310000 | KTb MH 624515 S4E1 | C.26 | 1195970000 | KTb FS 352620 S4E2 | C.40 | 1196960000 | KTb FS 352620 S4E2 | C.40 | | | |
| 1195320000 | KTb MH 624515 S4E2 | C.12 | 1195980000 | KTb FS 352620 S4E3 | C.40 | 1196970000 | KTb FS 352620 S4E3 | C.40 | | | |
| 1195320000 | KTb MH 624515 S4E2 | C.26 | 1195990000 | KTb FS 352620 S4E4 | C.40 | 1196980000 | KTb FS 352620 S4E4 | C.40 | | | |
| 1195330000 | KTb MH 624515 S4E3 | C.12 | 1196000000 | KTb FS 403015 S4E0 | C.40 | 1196990000 | KTb FS 403015 S4E0 | C.40 | | | |
| 1195330000 | KTb MH 624515 S4E3 | C.26 | 1196010000 | KTb FS 403015 S4E1 | C.40 | 1200070000 | KTb FS 403020 S4E1 | C.46 | | | |
| 1195340000 | KTb MH 624515 S4E4 | C.12 | 1196020000 | KTb FS 403015 S4E2 | C.40 | 1200080000 | KTb FS 403020 S4E2 | C.46 | | | |
| 1195340000 | KTb MH 624515 S4E4 | C.26 | 1196030000 | KTb FS 403015 S4E3 | C.40 | 1200090000 | KTb FS 403020 S4E3 | C.46 | | | |
| 1195350000 | KTb MH 624520 S4E0 | C.12 | 1196040000 | KTb FS 403015 S4E4 | C.40 | 1200100000 | KTb FS 403020 S4E4 | C.46 | | | |
| 1195350000 | KTb MH 624520 S4E0 | C.26 | 1196050000 | KTb FS 403020 S4E0 | C.40 | 1200110000 | KTb FS 403020 S4E0 | C.46 | | | |
| 1195360000 | KTb MH 624520 S4E1 | C.12 | 1196060000 | KTb FS 403020 S4E1 | C.40 | 1200120000 | KTb FS 403020 S4E1 | C.46 | | | |
| 1195360000 | KTb MH 624520 S4E1 | C.26 | 1196070000 | KTb FS 403020 S4E2 | C.40 | 1200130000 | KTb FS 403020 S4E2 | C.46 | | | |
| 1195370000 | KTb MH 624520 S4E2 | C.12 | 1196080000 | KTb FS 403020 S4E3 | C.40 | 1200140000 | KTb FS 403020 S4E3 | C.46 | | | |
| 1195370000 | KTb MH 624520 S4E2 | C.26 | 1196090000 | KTb FS 403020 S4E4 | C.40 | 1200150000 | KTb FS 403020 S4E4 | C.46 | | | |
| 1195380000 | KTb MH 624520 S4E3 | C.12 | 1196100000 | KTb FS 453815 S4E0 | C.40 | 1200160000 | KTb FS 403020 S4E0 | C.46 | | | |
| 1195380000 | KTb MH 624520 S4E3 | C.26 | 1196110000 | KTb FS 453815 S4E1 | C.40 | 1200170000 | KTb FS 403020 S4E1 | C.46 | | | |
| 1195390000 | KTb MH 624520 S4E4 | C.12 | 1196120000 | KTb FS 453815 S4E2 | C.40 | 1200180000 | KTb FS 403020 S4E2 | C.46 | | | |
| 1195390000 | KTb MH 624520 S4E4 | C.26 | 1196130000 | KTb FS 453815 S4E3 | C.40 | 1200190000 | KTb FS 403020 S4E3 | C.46 | | | |
| 1195400000 | KTb MH 765015 S4E0 | C.12 | 1196140000 | KTb FS 453815 S4E4 | C.40 | 1200210000 | KTb FS 403020 S4E4 | C.46 | | | |
| 1195400000 | KTb MH 765015 S4E0 | C.26 | 1196150000 | KTb FS 453820 S4E0 | C.40 | 1200220000 | KTb FS 403015 S4E0 | C.46 | | | |
| 1195410000 | KTb MH 765015 S4E1 | C.12 | 1196160000 | KTb FS 453820 S4E1 | C.40 | 1200230000 | KTb FS 403015 S4E1 | C.46 | | | |
| 1195410000 | KTb MH 765015 S4E1 | C.26 | 1196170000 | KTb FS 453820 S4E2 | C.40 | 1200240000 | KTb FS 403015 S4E2 | C.46 | | | |
| 1195420000 | KTb MH 765015 S4E2 | C.12 | 1196180000 | KTb FS 453820 S4E3 | C.40 | 1200250000 | KTb FS 403015 S4E3 | C.46 | | | |
| 1195420000 | KTb MH 765015 S4E2 | C.26 | 1196190000 | KTb FS 453820 S4E4 | C.40 | 1200260000 | KTb FS 403015 S4E4 | C.46 | | | |
| 1195430000 | KTb MH 765015 S4E3 | C.12 | 1196200000 | KTb FS 484815 S4E0 | C.40 | 1200270000 | KTb FS 403020 S4E0 | C.46 | | | |
| 1195430000 | KTb MH 765015 S4E3 | C.26 | 1196210000 | KTb FS 484815 S4E1 | C.40 | 1200280000 | KTb FS 403020 S4E1 | C.46 | | | |
| 1195440000 | KTb MH 765015 S4E4 | C.12 | 1196220000 | KTb FS 484815 S4E2 | C.40 | 1200290000 | KTb FS 403020 S4E2 | C.46 | | | |
| 1195440000 | KTb MH 765015 S4E4 | C.26 | 1196230000 | KTb FS 484815 S4E3 | C.40 | 1200310000 | KTb FS 403020 S4E3 | C.46 | | | |
| 1195450000 | KTb MH 765020 S4E0 | C.12 | 1196240000 | KTb FS 484815 S4E4 | C.40 | 1200320000 | KTb FS 403020 S4E4 | C.46 | | | |

| Order No. | Type | Page |
|------------|------------------------|-------|
| 1283440000 | PEBZ M10 S4 SET | C.136 |
| 1283440000 | PEBZ M10 S4 SET | C.137 |
| 1283440000 | PEBZ M10 S4 SET | C.138 |
| 1283440000 | PEBZ M10 S4 SET | C.139 |
| 1283440000 | PEBZ M10 S4 SET | C.140 |
| 1283440000 | PEBZ M10 S4 SET | C.141 |
| 1283440000 | PEBZ M10 S4 SET | C.142 |
| 1283440000 | PEBZ M10 S4 SET | C.143 |
| 1283440000 | PEBZ M10 S4 SET | C.144 |
| 1283440000 | PEBZ M10 S4 SET | C.145 |
| 1283440000 | PEBZ M10 S4 SET | C.146 |
| 1283440000 | PEBZ M10 S4 SET | C.147 |
| 1283440000 | PEBZ M10 S4 SET | C.148 |
| 1283440000 | PEBZ M10 S4 SET | C.170 |
| 1283440000 | PEBZ M10 S4 SET | C.171 |
| 1283440000 | PEBZ M10 S4 SET | C.172 |
| 1283440000 | PEBZ M10 S4 SET | C.173 |
| 1283440000 | PEBZ M10 S4 SET | C.174 |
| 1283440000 | PEBZ M10 S4 SET | C.178 |
| 1283440000 | PEBZ M10 S4 SET | C.179 |
| 1283440000 | PEBZ M10 S4 SET | C.180 |
| 1283440000 | PEBZ M10 S4 SET | C.181 |
| 1283440000 | PEBZ M10 S4 SET | C.182 |
| 1283440000 | PEBZ M10 S4 SET | C.183 |
| 1283440000 | PEBZ M10 S4 SET | C.185 |
| 1283440000 | PEBZ M10 S4 SET | C.186 |
| 1283440000 | PEBZ M10 S4 SET | C.187 |
| 1283450000 | TPSDHA KTB 130X50 S2 R | C.16 |
| 1283450000 | TPSDHA KTB 130X50 S2 R | C.17 |
| 1283450000 | TPSDHA KTB 130X50 S2 R | C.18 |
| 1283450000 | TPSDHA KTB 130X50 S2 R | C.19 |
| 1283450000 | TPSDHA KTB 130X50 S2 R | C.20 |
| 1283450000 | TPSDHA KTB 130X50 S2 R | C.21 |
| 1283450000 | TPSDHA KTB 130X50 S2 R | C.22 |
| 1283450000 | TPSDHA KTB 130X50 S2 R | C.23 |
| 1283450000 | TPSDHA KTB 130X50 S2 R | C.24 |
| 1283450000 | TPSDHA KTB 130X50 S2 R | C.25 |
| 1283450000 | TPSDHA KTB 130X50 S2 R | C.26 |
| 1283450000 | TPSDHA KTB 130X50 S2 R | C.27 |
| 1283450000 | TPSDHA KTB 130X50 S2 R | C.28 |
| 1283450000 | TPSDHA KTB 130X50 S2 R | C.29 |
| 1283450000 | TPSDHA KTB 130X50 S2 R | C.30 |
| 1283450000 | TPSDHA KTB 130X50 S2 R | C.31 |
| 1283450000 | TPSDHA KTB 130X50 S2 R | C.32 |
| 1283450000 | TPSDHA KTB 130X50 S2 R | C.33 |
| 1283450000 | TPSDHA KTB 130X50 S2 R | C.34 |
| 1283450000 | TPSDHA KTB 130X50 S2 R | C.35 |
| 1283450000 | TPSDHA KTB 130X50 S2 R | C.36 |
| 1283450000 | TPSDHA KTB 130X50 S2 R | C.37 |
| 1283450000 | TPSDHA KTB 130X50 S2 R | C.38 |
| 1283450000 | TPSDHA KTB 130X50 S2 R | C.39 |
| 1283450000 | TPSDHA KTB 130X50 S2 R | C.40 |
| 1283450000 | TPSDHA KTB 130X50 S2 R | C.41 |
| 1283450000 | TPSDHA KTB 130X50 S2 R | C.42 |
| 1283450000 | TPSDHA KTB 130X50 S2 R | C.43 |
| 1283450000 | TPSDHA KTB 130X50 S2 R | C.44 |
| 1283450000 | TPSDHA KTB 130X50 S2 R | C.45 |
| 1283450000 | TPSDHA KTB 130X50 S2 R | C.46 |
| 1283450000 | TPSDHA KTB 130X50 S2 R | C.47 |
| 1285200000 | SD FIXING SET | C.15 |
| 1285200000 | SD FIXING SET | C.16 |
| 1285200000 | SD FIXING SET | C.17 |
| 1285200000 | SD FIXING SET | C.18 |
| 1285200000 | SD FIXING SET | C.19 |
| 1285200000 | SD FIXING SET | C.20 |
| 1285200000 | SD FIXING SET | C.21 |
| 1285200000 | SD FIXING SET | C.22 |
| 1285200000 | SD FIXING SET | C.23 |
| 1285200000 | SD FIXING SET | C.24 |
| 1285200000 | SD FIXING SET | C.25 |
| 1285200000 | SD FIXING SET | C.26 |
| 1285200000 | SD FIXING SET | C.27 |
| 1285200000 | SD FIXING SET | C.28 |
| 1285200000 | SD FIXING SET | C.29 |
| 1285200000 | SD FIXING SET | C.30 |
| 1285200000 | SD FIXING SET | C.31 |
| 1285200000 | SD FIXING SET | C.32 |
| 1285200000 | SD FIXING SET | C.33 |
| 1285200000 | SD FIXING SET | C.34 |
| 1285200000 | SD FIXING SET | C.35 |
| 1285200000 | SD FIXING SET | C.36 |
| 1285200000 | SD FIXING SET | C.37 |
| 1289180000 | KEBI-KTBI MF S2 SET | C.52 |
| 1289180000 | KEBI-KTBI MF S2 SET | C.53 |
| 1289180000 | KEBI-KTBI MF S2 SET | C.54 |
| 1289180000 | KEBI-KTBI MF S2 SET | C.55 |
| 1289180000 | KEBI-KTBI MF S2 SET | C.56 |
| 1289180000 | KEBI-KTBI MF S2 SET | C.57 |
| 1289180000 | KEBI-KTBI MF S2 SET | C.58 |
| 1289180000 | KEBI-KTBI MF S2 SET | C.59 |
| 1289180000 | KEBI-KTBI MF S2 SET | C.60 |
| 1289180000 | KEBI-KTBI MF S2 SET | C.61 |
| 1289180000 | KEBI-KTBI MF S2 SET | C.62 |

1300000000

| | | |
|------------|--------------------|-------|
| 1305810000 | KLIPPON POK 080806 | C.130 |
| 1305810000 | KLIPPON POK 080806 | C.132 |
| 1305810000 | KLIPPON POK 080806 | C.150 |
| 1305820000 | KLIPPON POK 081106 | C.130 |
| 1305820000 | KLIPPON POK 081106 | C.133 |
| 1305820000 | KLIPPON POK 081106 | C.150 |
| 1305830000 | KLIPPON POK 081606 | C.130 |
| 1305830000 | KLIPPON POK 081606 | C.134 |
| 1305830000 | KLIPPON POK 081606 | C.150 |
| 1305840000 | KLIPPON POK 081906 | C.130 |
| 1305840000 | KLIPPON POK 081906 | C.135 |
| 1305850000 | KLIPPON POK 082306 | C.130 |

| Order No. | Type | Page |
|------------|--------------------------|-------|
| 1305850000 | KLIPPON POK 082306 | C.136 |
| 1305870000 | KLIPPON POK 121209 | C.130 |
| 1305870000 | KLIPPON POK 121209 | C.137 |
| 1305870000 | KLIPPON POK 121209 | C.150 |
| 1305880000 | KLIPPON POK 122209 | C.130 |
| 1305880000 | KLIPPON POK 122209 | C.138 |
| 1305890000 | KLIPPON POK 161609 | C.130 |
| 1305890000 | KLIPPON POK 161609 | C.139 |
| 1305890000 | KLIPPON POK 161609 | C.150 |
| 1305900000 | KLIPPON POK 162609 | C.130 |
| 1305900000 | KLIPPON POK 162609 | C.140 |
| 1305910000 | KLIPPON POK 163609 | C.130 |
| 1305910000 | KLIPPON POK 163609 | C.141 |
| 1305920000 | KLIPPON POK 165609 | C.130 |
| 1305920000 | KLIPPON POK 165609 | C.142 |
| 1305930000 | KLIPPON POK 252512 | C.130 |
| 1305930000 | KLIPPON POK 252512 | C.143 |
| 1305940000 | KLIPPON POK 254012 | C.130 |
| 1305940000 | KLIPPON POK 254012 | C.145 |
| 1305950000 | KLIPPON POK 256012 | C.130 |
| 1305950000 | KLIPPON POK 256012 | C.147 |
| 1305970000 | KLIPPON POK 404012 | C.130 |
| 1305970000 | KLIPPON POK 404012 | C.148 |
| 1305980000 | KLIPPON POK 252516 | C.130 |
| 1305980000 | KLIPPON POK 252516 | C.144 |
| 1305990000 | KLIPPON POK 254016 | C.130 |
| 1305990000 | KLIPPON POK 254016 | C.146 |
| 1306000000 | KLIPPON POK 080806 EX | C.130 |
| 1306000000 | KLIPPON POK 080806 EX | C.132 |
| 1306010000 | KLIPPON POK 081106 EX | C.130 |
| 1306010000 | KLIPPON POK 081106 EX | C.133 |
| 1306020000 | KLIPPON POK 081606 EX | C.130 |
| 1306020000 | KLIPPON POK 081606 EX | C.134 |
| 1306030000 | KLIPPON POK 081906 EX | C.130 |
| 1306030000 | KLIPPON POK 081906 EX | C.135 |
| 1306040000 | KLIPPON POK 082306 EX | C.130 |
| 1306040000 | KLIPPON POK 082306 EX | C.136 |
| 1306050000 | KLIPPON POK 121209 EX | C.130 |
| 1306050000 | KLIPPON POK 121209 EX | C.137 |
| 1306070000 | KLIPPON POK 122209 EX | C.130 |
| 1306070000 | KLIPPON POK 122209 EX | C.138 |
| 1306080000 | KLIPPON POK 161609 EX | C.130 |
| 1306080000 | KLIPPON POK 161609 EX | C.139 |
| 1306090000 | KLIPPON POK 162609 EX | C.130 |
| 1306090000 | KLIPPON POK 162609 EX | C.140 |
| 1306100000 | KLIPPON POK 163609 EX | C.130 |
| 1306100000 | KLIPPON POK 163609 EX | C.141 |
| 1306110000 | KLIPPON POK 165609 EX | C.130 |
| 1306110000 | KLIPPON POK 165609 EX | C.142 |
| 1306120000 | KLIPPON POK 252512 EX | C.130 |
| 1306120000 | KLIPPON POK 252512 EX | C.143 |
| 1306130000 | KLIPPON POK 254012 EX | C.130 |
| 1306130000 | KLIPPON POK 254012 EX | C.145 |
| 1306140000 | KLIPPON POK 256012 EX | C.130 |
| 1306140000 | KLIPPON POK 256012 EX | C.147 |
| 1306150000 | KLIPPON POK 404012 EX | C.130 |
| 1306150000 | KLIPPON POK 404012 EX | C.148 |
| 1306170000 | KLIPPON POK 252516 EX | C.130 |
| 1306170000 | KLIPPON POK 252516 EX | C.144 |
| 1306180000 | KLIPPON POK 254016 EX | C.130 |
| 1306180000 | KLIPPON POK 254016 EX | C.146 |
| 1309690000 | KEBI-KTBI MOPL 3020 MSZN | C.52 |
| 1309700000 | KEBI-KTBI MOPL 3020 S2N | C.52 |

1310000000

| | | |
|------------|--------------------------|------|
| 1310320000 | KEBI-KTBI MOPL 3030 S2N | C.53 |
| 1310320000 | KEBI-KTBI MOPL 3030 S2N | C.54 |
| 1310330000 | KEBI-KTBI MOPL 4030 S2N | C.55 |
| 1310330000 | KEBI-KTBI MOPL 4030 S2N | C.56 |
| 1310340000 | KEBI-KTBI MOPL 4040 S2N | C.57 |
| 1310350000 | KEBI-KTBI MOPL 5040 S2N | C.58 |
| 1310360000 | KEBI-KTBI MOPL 5050 S2N | C.59 |
| 1310370000 | KEBI-KTBI MOPL 6040 S2N | C.60 |
| 1310380000 | KEBI-KTBI MOPL 6060 S2N | C.61 |
| 1310390000 | KEBI-KTBI MOPL 8060 S2N | C.62 |
| 1310410000 | KEBI-KTBI MOPL 3030 MSZN | C.53 |
| 1310410000 | KEBI-KTBI MOPL 3030 MSZN | C.54 |
| 1310420000 | KEBI-KTBI MOPL 4030 MSZN | C.55 |
| 1310420000 | KEBI-KTBI MOPL 4030 MSZN | C.56 |
| 1310430000 | KEBI-KTBI MOPL 4040 MSZN | C.57 |
| 1310440000 | KEBI-KTBI MOPL 5040 MSZN | C.58 |
| 1310450000 | KEBI-KTBI MOPL 5050 MSZN | C.59 |
| 1310460000 | KEBI-KTBI MOPL 6040 MSZN | C.60 |
| 1310470000 | KEBI-KTBI MOPL 6060 MSZN | C.61 |
| 1310480000 | KEBI-KTBI MOPL 8060 MSZN | C.62 |
| 1314090000 | KTB RNHD 221513 S4E R | C.15 |
| 1314100000 | KTB RNHD 262615 S4E R | C.16 |
| 1314110000 | KTB RNHD 262620 S4E R | C.17 |
| 1314120000 | KTB RNHD 303015 S4E R | C.18 |
| 1314130000 | KTB RNHD 303020 S4E R | C.19 |
| 1314140000 | KTB RNHD 352615 S4E R | C.20 |
| 1314150000 | KTB RNHD 352620 S4E R | C.21 |
| 1314170000 | KTB RNHD 403015 S4E R | C.22 |
| 1314180000 | KTB RNHD 403020 S4E R | C.23 |
| 1314190000 | KTB RNHD 453815 S4E R | C.24 |
| 1314200000 | KTB RNHD 453820 S4E R | C.25 |
| 1314220000 | KTB RNHD 484815 S4E R | C.26 |
| 1314230000 | KTB RNHD 484820 S4E R | C.27 |

| Order No. | Type | Page |
|------------|-----------------------|------|
| 1314240000 | KTB RNHD 553515 S4E R | C.28 |
| 1314250000 | KTB RNHD 553520 S4E R | C.29 |
| 1314270000 | KTB RNHD 624515 S4E R | C.30 |
| 1314280000 | KTB RNHD 624520 S4E R | C.31 |
| 1314290000 | KTB RNHD 765015 S4E R | C.32 |
| 1314300000 | KTB RNHD 765020 S4E R | C.33 |
| 1314320000 | KTB RNHD 916115 S4E R | C.34 |
| 1314330000 | KTB RNHD 916120 S4E R | C.35 |
| 1314340000 | KTB RNHD 987420 S4E R | C.36 |

1320000000

| | | |
|------------|------------------------|------|
| 1328120000 | KLIPPON K21 EX RAL7001 | C.94 |
| 1328130000 | KLIPPON K51 EX RAL7001 | C.94 |
| 1328140000 | KLIPPON K61 EX RAL7001 | C.94 |
| 1328630000 | KLIPPON K1 EX RAL7001 | C.94 |
| 1328640000 | KLIPPON K11 EX RAL7001 | C.94 |
| 1328650000 | KLIPPON K2 EX RAL7001 | C.94 |
| 1328670000 | KLIPPON K3 EX RAL7001 | C.94 |
| 1328680000 | KLIPPON K31 EX RAL7001 | C.94 |
| 1328690000 | KLIPPON K6 EX RAL7001 | C.94 |
| 1329700000 | KLIPPON K4 EX RAL7001 | C.94 |
| 1329710000 | KLIPPON K41 EX RAL7001 | C.94 |
| 1329720000 | KLIPPON K5 EX RAL7001 | C.94 |
| 1329730000 | KLIPPON K52 EX RAL7001 | C.94 |
| 1329740000 | KLIPPON K6 EX RAL7001 | C.94 |
| 1329750000 | KLIPPON K7 EX RAL7001 | C.94 |
| 1329770000 | KLIPPON K71 EX RAL7001 | C.94 |

1390000000

| | | |
|------------|------------------------|-------|
| 1390910000 | KLIPPON COPL 080806 | C.132 |
| 1390920000 | KLIPPON COPL 081106 | C.133 |
| 1390930000 | KLIPPON COPL 081606 | C.134 |
| 1390940000 | KLIPPON COPL 081906 | C.135 |
| 1390950000 | KLIPPON COPL 082306 | C.136 |
| 1390970000 | KLIPPON COPL 121209 | C.137 |
| 1390980000 | KLIPPON COPL 122209 | C.138 |
| 1390990000 | KLIPPON COPL 161609 | C.139 |
| 1391000000 | KLIPPON COPL 162609 | C.140 |
| 1391010000 | KLIPPON COPL 163609 | C.141 |
| 1391020000 | KLIPPON COPL 165609 | C.142 |
| 1391030000 | KLIPPON COPL 252512/16 | C.143 |
| 1391030000 | KLIPPON COPL 252512/16 | C.144 |
| 1391040000 | KLIPPON COPL 254012/16 | C.145 |
| 1391040000 | KLIPPON COPL 254012/16 | C.146 |
| 1391050000 | KLIPPON COPL 256012 | C.147 |
| 1391070000 | KLIPPON COPL 404012 | C.148 |

1460000000

| | | |
|------------|--------------------------|-------|
| 1460040000 | VG M16 EXE MS | C.44 |
| 1460040000 | VG M16 EXE MS | C.78 |
| 1460040000 | VG M16 EXE MS | C.152 |
| 1460050000 | VG M20 EXE MS | C.44 |
| 1460050000 | VG M20 EXE MS | C.45 |
| 1460050000 | VG M20 EXE MS | C.46 |
| 1460050000 | VG M20 EXE MS | C.47 |
| 1460050000 | VG M20 EXE MS | C.79 |
| 1460050000 | VG M20 EXE MS | C.80 |
| 1460050000 | VG M20 EXE MS | C.153 |
| 1460050000 | VG M20 EXE MS | C.154 |
| 1460050000 | VG M20 EXE MS | C.155 |
| 1460050000 | VG M20 EXE MS | C.156 |
| 1460070000 | VG M25 EXE MS | C.47 |
| 1460070000 | VG M25 EXE MS | C.81 |
| 1460080000 | VG M32 EXE MS | C.45 |
| 1460080000 | VG M32 EXE MS | C.46 |
| 1460090000 | VG M40 EXE MS | C.47 |
| 1463720000 | VG M25-MS68 EMC 11-20SET | D.12 |
| 1463730 | | |

| Order No. | Type | Page |
|------------|--------------|------|
| 1569020000 | VG 21-K68 | D.6 |
| 1569030000 | VG 29-K68 | D.6 |
| 1569040000 | VG 36-K68 | D.6 |
| 1569050000 | VG 42-K68 | D.6 |
| 1569060000 | VG 7-MS68 | D.8 |
| 1569070000 | VG 9-MS68 | D.8 |
| 1569080000 | VG 11-MS68 | D.8 |
| 1569090000 | VG 13,5-MS68 | D.8 |
| 1569100000 | VG 16-MS68 | D.8 |
| 1569110000 | VG 21-MS68 | D.8 |
| 1569120000 | VG 29-MS68 | D.8 |
| 1569130000 | VG 36-MS68 | D.8 |
| 1569140000 | VG 42-MS68 | D.8 |

1580000000

| | | |
|------------|----------|-------|
| 1580360000 | HG K+POK | C.100 |
| 1580360000 | HG K+POK | C.102 |
| 1580360000 | HG K+POK | C.104 |
| 1580360000 | HG K+POK | C.106 |
| 1580360000 | HG K+POK | C.107 |
| 1580360000 | HG K+POK | C.108 |
| 1580360000 | HG K+POK | C.109 |
| 1580360000 | HG K+POK | C.110 |
| 1580360000 | HG K+POK | C.111 |
| 1580360000 | HG K+POK | C.112 |
| 1580360000 | HG K+POK | C.113 |
| 1580360000 | HG K+POK | C.114 |

1650000000

| | | |
|------------|---------|------|
| 1656390000 | KV 11-M | D.10 |
| 1656400000 | KV 13-M | D.10 |
| 1656410000 | KV 16-M | D.10 |
| 1656420000 | KV 21-M | D.10 |
| 1656430000 | KV 29-M | D.10 |

1690000000

| | | |
|------------|-------------------|------|
| 1694070000 | SKMU PG7-MS | D.42 |
| 1694080000 | SKMU PG9-MS | D.42 |
| 1694090000 | SKMU PG11-MS | D.42 |
| 1694100000 | SKMU PG13,5-MS | D.42 |
| 1694110000 | SKMU PG16-MS | D.42 |
| 1694740000 | SKMU PG7-K GR | D.40 |
| 1694750000 | SKMU PG9-K GR | D.40 |
| 1694760000 | SKMU PG11-K GR | D.40 |
| 1694770000 | SKMU PG 13,5-K GR | D.40 |
| 1694780000 | SKMU PG16-K GR | D.40 |
| 1698220000 | SKMU PG21-K GR | D.40 |
| 1698230000 | SKMU PG29-K GR | D.40 |
| 1698240000 | SKMU PG36-K GR | D.40 |
| 1698250000 | SKMU PG42-K GR | D.40 |

1710000000

| | | |
|------------|------------------|------|
| 1718770000 | VG 48-K68 | D.6 |
| 1718790000 | VG 48-MS68 | D.8 |
| 1718900000 | SKMU EMV P67 | D.44 |
| 1718910000 | SKMU EMV P69 | D.44 |
| 1718920000 | SKMU EMV PG11 | D.44 |
| 1718930000 | SKMU EMV PG13,5 | D.44 |
| 1718940000 | SKMU EMV PG16 | D.44 |
| 1718950000 | SKMU EMV PG21 | D.44 |
| 1718960000 | SKMU EMV PG29 | D.44 |
| 1719090000 | SKMU PG48-K GR | D.40 |
| 1719100000 | SKMU PG7-K SW | D.41 |
| 1719110000 | SKMU PG9-K SW | D.41 |
| 1719120000 | SKMU PG11-K SW | D.41 |
| 1719130000 | SKMU PG13,5-K SW | D.41 |
| 1719140000 | SKMU PG16-K SW | D.41 |
| 1719150000 | SKMU PG21-K SW | D.41 |
| 1719160000 | SKMU PG29-K SW | D.41 |
| 1719170000 | SKMU PG36-K SW | D.41 |
| 1719180000 | SKMU PG42-K SW | D.41 |
| 1719190000 | SKMU PG48-K SW | D.41 |
| 1719200000 | SKMU PG21-MS | D.42 |
| 1719210000 | SKMU PG29-MS | D.42 |
| 1719220000 | SKMU PG36-MS | D.42 |
| 1719230000 | SKMU PG42-MS | D.42 |
| 1719240000 | SKMU PG48-MS | D.42 |
| 1719250000 | VP 7-K54 | D.53 |
| 1719260000 | VP 48-K54 | D.53 |
| 1719270000 | VP 48-MS65 | D.54 |
| 1719440000 | GWDR PG7-PO | D.45 |
| 1719450000 | GWDR PG9-PO | D.45 |
| 1719460000 | GWDR PG11-PO | D.45 |
| 1719470000 | GWDR PG13,5-PO | D.45 |
| 1719480000 | GWDR PG16-PO | D.45 |
| 1719490000 | GWDR PG21-PO | D.45 |
| 1719500000 | GWDR PG29-PO | D.45 |
| 1719510000 | GWDR PG36-PO | D.45 |
| 1719520000 | GWDR PG42-PO | D.45 |
| 1719530000 | GWDR PG48-PO | D.45 |
| 1719540000 | GWDR PG7-NP | D.46 |
| 1719550000 | GWDR PG9-NP | D.46 |
| 1719560000 | GWDR PG11-NP | D.46 |
| 1719570000 | GWDR PG13,5-NP | D.46 |
| 1719580000 | GWDR PG16-NP | D.46 |

| Order No. | Type | Page |
|------------|--------------|------|
| 1719590000 | GWDR PG21-NP | D.46 |
| 1719600000 | GWDR PG29-NP | D.46 |
| 1719610000 | GWDR PG36-NP | D.46 |
| 1719620000 | GWDR PG42-NP | D.46 |
| 1719630000 | GWDR PG48-NP | D.46 |

1720000000

| | | |
|------------|-----------------|-----|
| 1720470000 | VG 7-K68 SKS | D.7 |
| 1720480000 | VG 9-K68 SKS | D.7 |
| 1720490000 | VG 11-K68 SKS | D.7 |
| 1720500000 | VG 13,5-K68 SKS | D.7 |
| 1720510000 | VG 16-K68 SKS | D.7 |
| 1720520000 | VG 21-K68 SKS | D.7 |

1730000000

| | | |
|------------|-----------------|-------|
| 1736230000 | GWDR M16-NP | D.46 |
| 1736240000 | GWDR M20-NP | D.46 |
| 1736250000 | GWDR M25-NP | D.46 |
| 1736260000 | GWDR M32-NP | D.46 |
| 1736270000 | GWDR M40-NP | D.46 |
| 1736280000 | GWDR M50-NP | D.46 |
| 1736290000 | GWDR M63-NP | D.46 |
| 1736300000 | SZS M16 | D.52 |
| 1736310000 | SZS M20 | D.52 |
| 1736320000 | SZS M25 | D.52 |
| 1736330000 | SZS M32 | D.52 |
| 1736340000 | SZS M40 | D.52 |
| 1736350000 | SZS M50 | D.52 |
| 1736360000 | SZS M63 | D.52 |
| 1736480000 | EA-RING MS/M 16 | D.49 |
| 1736490000 | EA-RING MS/M 20 | D.49 |
| 1736500000 | EA-RING MS/M 25 | D.49 |
| 1736510000 | EA-RING MS/M 32 | D.49 |
| 1736520000 | EA-RING MS/M 40 | D.49 |
| 1736530000 | EA-RING MS/M 50 | D.49 |
| 1736540000 | EA-RING MS/M 63 | D.49 |
| 1736550000 | EA-RING MS/M 75 | D.49 |
| 1736570000 | KSP L24 | D.51 |
| 1736580000 | KSP L30 | D.51 |
| 1736590000 | KSP L38 | D.51 |
| 1736600000 | KSP L46 | D.51 |
| 1736610000 | KSP L55 | D.51 |
| 1736620000 | KSP L65 | D.51 |
| 1736630000 | KSP L80 | D.51 |
| 1736640000 | KSP L90 | D.51 |
| 1736670000 | KSP EL30 | D.51 |
| 1736680000 | KSP EL38 | D.51 |
| 1736920000 | SKMU M16 K SW | D.41 |
| 1736930000 | SKMU M20 K SW | C.79 |
| 1736930000 | SKMU M20 K SW | C.80 |
| 1736930000 | SKMU M20 K SW | D.41 |
| 1736940000 | SKMU M25 K SW | C.81 |
| 1736940000 | SKMU M25 K SW | D.41 |
| 1736950000 | SKMU M32 K SW | D.41 |
| 1736960000 | SKMU M40 K SW | D.41 |
| 1736970000 | SKMU M50 K SW | D.41 |
| 1736980000 | SKMU M63 K SW | D.41 |
| 1736990000 | SKMU M16 MS | C.44 |
| 1736990000 | SKMU M16 MS | C.78 |
| 1736990000 | SKMU M16 MS | D.42 |
| 1737000000 | SKMU M20 MS | C.44 |
| 1737000000 | SKMU M20 MS | C.45 |
| 1737000000 | SKMU M20 MS | C.46 |
| 1737000000 | SKMU M20 MS | C.47 |
| 1737000000 | SKMU M20 MS | C.79 |
| 1737000000 | SKMU M20 MS | C.80 |
| 1737000000 | SKMU M20 MS | D.42 |
| 1737010000 | SKMU M25 MS | C.47 |
| 1737010000 | SKMU M25 MS | C.81 |
| 1737010000 | SKMU M25 MS | D.42 |
| 1737020000 | SKMU M32 MS | C.45 |
| 1737020000 | SKMU M32 MS | C.46 |
| 1737020000 | SKMU M32 MS | D.42 |
| 1737030000 | SKMU M40 MS | C.47 |
| 1737030000 | SKMU M40 MS | D.42 |
| 1737040000 | SKMU M50 MS | D.42 |
| 1737050000 | SKMU M63 MS | D.42 |
| 1737060000 | SKMU M75 MS | D.42 |
| 1737070000 | VP M16-EXE SW | D.55 |
| 1737080000 | VP M20-EXE SW | D.55 |
| 1737090000 | VP M25-EXE SW | D.55 |
| 1737100000 | VP M32-EXE SW | D.55 |
| 1737110000 | VP M40-EXE SW | D.55 |
| 1737120000 | VP M50-EXE SW | D.55 |
| 1737130000 | VP M63-EXE SW | D.55 |
| 1737560000 | ADAP EX M20-M16 | C.153 |
| 1737560000 | ADAP EX M20-M16 | C.154 |
| 1737560000 | ADAP EX M20-M16 | C.155 |
| 1737560000 | ADAP EX M20-M16 | C.156 |

1770000000

| | | |
|------------|----------------|-----|
| 1772200000 | VG M12 - MS 68 | D.8 |
| 1772210000 | VG M16 - MS 68 | D.8 |
| 1772220000 | VG M20 - MS 68 | D.8 |
| 1772230000 | VG M25 - MS 68 | D.8 |
| 1772240000 | VG M32 - MS 68 | D.8 |

| Order No. | Type | Page |
|------------|----------------------|------|
| 1772250000 | VG M40 - MS 68 | D.8 |
| 1772260000 | VG M50 - MS 68 | D.8 |
| 1772270000 | VG M63 - MS 68 | D.8 |
| 1772280000 | VG M12-1/K68 | D.6 |
| 1772290000 | VG M16 - K 68 | D.6 |
| 1772300000 | VG M20-1/K68 | D.6 |
| 1772310000 | VG M25 - K 68 | D.6 |
| 1772320000 | VG M32 - K 68 | D.6 |
| 1772330000 | VG M40 - K 68 | D.6 |
| 1772340000 | VG M50 - K 68 | D.6 |
| 1772350000 | VG M63-1/K68 | D.6 |
| 1772360000 | SKMU M12 MS | D.42 |
| 1772440000 | SKMU M12 - K GR | D.40 |
| 1772450000 | SKMU M16 - K GR | D.40 |
| 1772460000 | SKMU M20 - K GR | D.40 |
| 1772470000 | SKMU M25 - K GR | D.40 |
| 1772480000 | SKMU M32 - K GR | D.40 |
| 1772490000 | SKMU M40 - K GR | D.40 |
| 1772500000 | SKMU M50 - K GR | D.40 |
| 1772510000 | SKMU M63 - K GR | D.40 |
| 1776700000 | VG M12-K68 SKS | D.7 |
| 1776710000 | VG M16-K68 SKS | D.7 |
| 1776720000 | VG M20-K68 SKS 10-14 | D.7 |
| 1776730000 | VG M25-K68 SKS | D.7 |
| 1776900000 | VP M25 K54 | D.53 |
| 1776910000 | VP M20 K54 | D.53 |
| 1776920000 | VP M16 K54 | D.53 |
| 1776930000 | VP M12 K54 | D.53 |
| 1776940000 | VP M32 K54 | D.53 |
| 1776950000 | VP M40 K54 | D.53 |
| 1776960000 | VP M50 K54 | D.53 |
| 1776970000 | VP M63 K54 | D.53 |
| 1777610000 | SKMU EMV M12 | D.44 |
| 1777620000 | SKMU EMV M16 | D.44 |
| 1777630000 | SKMU EMV M20 | D.44 |
| 1777640000 | SKMU EMV M25 | D.44 |
| 1777650000 | SKMU EMV M32 | D.44 |
| 1777660000 | SKMU EMV M40 | D.44 |
| 1777670000 | SKMU EMV M50 | D.44 |
| 1777680000 | SKMU EMV M63 | D.44 |
| 1777690000 | SKMU EMV PG 48 | D.44 |
| 1777700000 | SKMU EMV PG 42 | D.44 |
| 1777710000 | SKMU EMV PG 36 | D.44 |
| 1777720000 | VP M12-MS65 | D.54 |
| 1777730000 | VP M16-MS65 | D.54 |
| 1777740000 | VP M20-MS65 | D.54 |
| 1777750000 | VP M25-MS65 | D.54 |
| 1777760000 | VP M32-MS65 | D.54 |
| 1777770000 | VP M40-MS65 | D.54 |
| 1777780000 | VP M50-MS65 | D.54 |
| 1777790000 | VP M63-MS65 | D.54 |
| 1777920000 | GWDR M12-PO | D.45 |
| 1777930000 | GWDR M16-PO | D.45 |
| 1777940000 | GWDR M20-PO | D.45 |
| 1777950000 | GWDR M25-PO | D.45 |
| 1777960000 | GWDR M32-PO | D.45 |
| 1777970000 | GWDR M40-PO | D.45 |
| 1777980000 | GWDR M50-PO | D.45 |
| 1777990000 | GWDR M63-PO | D.45 |
| 1778860000 | VG M20-K68 SKS 6-12 | D.7 |

1800000000

| | | |
|------------|---------------|------|
| 1806540000 | SKMU M12 K SW | D.41 |
|------------|---------------|------|

1860000000

| | | |
|------------|------------|-------|
| 1868550000 | DAE M12 SS | C.52 |
| 1868550000 | DAE M12 SS | C.53 |
| 1868550000 | DAE M12 SS | C.54 |
| 1868550000 | DAE M12 SS | C.55 |
| 1868550000 | DAE M12 SS | C.56 |
| 1868550000 | DAE M12 SS | C.57 |
| 1868550000 | DAE M12 SS | C.58 |
| 1868550000 | DAE M12 SS | C.59 |
| 1868550000 | DAE M12 SS | C.60 |
| 1868550000 | DAE M12 SS | C.61 |
| 1868550000 | DAE M12 SS | C.62 |
| 1868550000 | DAE M12 SS | C.68 |
| 1868550000 | DAE M12 SS | C.69 |
| 1868550000 | DAE M12 SS | C.70 |
| 1868550000 | DAE M12 SS | C.71 |
| 1868550000 | DAE M12 SS | C.72 |
| 1868550000 | DAE M12 SS | C.73 |
| 1868550000 | DAE M12 SS | C.74 |
| 1868550000 | DAE M12 SS | C.75 |
| 1868550000 | DAE M12 SS | C.96 |
| 1868550000 | DAE M12 SS | C.97 |
| 1868550000 | DAE M12 SS | C.98 |
| 1868550000 | DAE M12 SS | C.99 |
| 1868550000 | DAE M12 SS | C.100 |
| 1868550000 | DAE M12 SS | C.101 |
| 1868550000 | DAE M12 SS | C.102 |
| 1868550000 | DAE M12 SS | C.103 |
| 1868550000 | DAE M12 SS | C.104 |
| 1868550000 | DAE M12 SS | C.105 |
| 1868550000 | DAE M12 SS | C.106 |
| 1868550000 | DAE M12 SS | C.107 |
| 1868550000 | DAE M12 SS | C.108 |

| Order No. | Type | Page |
|------------|------------|-------|
| 1868550000 | DAE M12 SS | C.109 |
| 1868550000 | DAE M12 SS | C.110 |
| 1868550000 | DAE M12 SS | C.111 |
| 1868550000 | DAE M12 SS | C.112 |
| 1868550000 | DAE M12 SS | C.113 |
| 1868550000 | DAE M12 SS | C.114 |
| 1868550000 | DAE M12 SS | C.132 |
| 1868550000 | DAE M12 SS | C.133 |
| 1868550000 | DAE M12 SS | C.1 |

| Order No. | Type | Page |
|------------|-----------------|-------|
| 1868570000 | DAE M12 PA LONG | C.178 |
| 1868570000 | DAE M12 PA LONG | C.179 |
| 1868570000 | DAE M12 PA LONG | C.180 |
| 1868570000 | DAE M12 PA LONG | C.181 |
| 1868570000 | DAE M12 PA LONG | C.182 |
| 1868570000 | DAE M12 PA LONG | C.183 |
| 1868570000 | DAE M12 PA LONG | C.185 |
| 1868570000 | DAE M12 PA LONG | C.186 |
| 1868570000 | DAE M12 PA LONG | C.187 |
| 1868570000 | DAE M12 PA LONG | D.59 |

1890000000

| | | |
|------------|--------------|-------|
| 1898210000 | MOPL K3 N FE | C.103 |
|------------|--------------|-------|

1900000000

| | | |
|------------|------------------------|-------|
| 1905270000 | MOPL K2 N FE | C.101 |
| 1905280000 | MOPL K1 N FE | C.99 |
| 1909860000 | VG M16-1/K68 | D.6 |
| 1909870000 | VG M25-1/K68 | D.6 |
| 1909880000 | VG M32-1/K68 | D.6 |
| 1909890000 | VG M40-1/K68 | D.6 |
| 1909910000 | VG M16-1/MS68 | D.8 |
| 1909920000 | VG M25-1/MS68 | D.8 |
| 1909930000 | VG M32-1/MS68 | D.8 |
| 1909940000 | VG M40-1/MS68 | D.8 |
| 1909950000 | VG M50-1/MS68 | D.8 |
| 1909980000 | TS15 60 Klippon K1 CSS | C.99 |
| 1909980000 | TS15 60 Klippon K1 CSS | C.116 |
| 1909990000 | TS15 64 Klippon K11 | C.100 |
| 1909990000 | TS15 64 Klippon K11 | C.116 |

1910000000

| | | |
|------------|----------------------------|-------|
| 1910010000 | TS15 90 Klippon K2 CSS | C.101 |
| 1910010000 | TS15 90 Klippon K2 CSS | C.116 |
| 1910020000 | TS15 114 Klippon K21 CSS | C.102 |
| 1910020000 | TS15 114 Klippon K21 CSS | C.116 |
| 1910030000 | TS15 155 Klippon K3 CSS | C.103 |
| 1910030000 | TS15 155 Klippon K3 CSS | C.116 |
| 1910040000 | TS15 164 Klippon K31 CSS | C.104 |
| 1910040000 | TS15 164 Klippon K31 CSS | C.116 |
| 1910060000 | TS35 64 Klippon K4K11 | C.106 |
| 1910060000 | TS35 64 Klippon K4K11 | C.116 |
| 1910070000 | TS35 105 Klippon K41/POK4 | C.107 |
| 1910070000 | TS35 105 Klippon K41/POK4 | C.116 |
| 1910070000 | TS35 105 Klippon K41/POK4 | C.150 |
| 1910070000 | TS35 105 Klippon K41/POK4 | C.158 |
| 1910080000 | TS35/148 Klippon K5 CSS | C.108 |
| 1910080000 | TS35/148 Klippon K5 CSS | C.116 |
| 1910090000 | TS35/203 Klippon K51POK5 | C.109 |
| 1910100000 | TS35/140 Klippon K52 POK51 | C.110 |
| 1910100000 | TS35/140 Klippon K52 POK51 | C.116 |
| 1910100000 | TS35/140 Klippon K52 POK51 | C.150 |
| 1910100000 | TS35/140 Klippon K52 POK51 | C.156 |
| 1910110000 | TS35/172 Klippon K6 CSS | C.111 |
| 1910120000 | TS35/243 Klippon K61POK6 | C.112 |
| 1910130000 | TS35/324 Klippon K7 CSS | C.113 |
| 1910140000 | TS35/260 Klippon K71 CSS | C.114 |
| 1911380000 | KDSU M20 BN 0 NI 2 G16 | D.27 |
| 1911390000 | KDSU M20 BN 0 NI 2 G20S | D.27 |
| 1911400000 | KDSU M20 BN 0 NI 2 G20 | D.27 |
| 1911420000 | KDSU M25 BN 0 NI 2 G25 | D.27 |
| 1911430000 | KDSU M32 BN 0 NI 2 G32 | D.27 |
| 1911440000 | KDSU M40 BN 0 NI 2 G40 | D.27 |
| 1911450000 | KDSU M50 BN 0 NI 2 G50S | D.27 |
| 1911460000 | KDSU M50 BN 0 NI 2 G50 | D.27 |
| 1911480000 | KDSU M63 BN 0 NI 2 G63S | D.27 |
| 1911490000 | KDSU M63 BN 0 NI 2 G63 | D.27 |
| 1911510000 | KSG M20 BN 0 NI 2 G16 | D.33 |
| 1911540000 | KSG M20 BN 0 NI 2 G20S | D.33 |
| 1911560000 | KSG M20 BN 0 NI 2 G20 | D.33 |
| 1911570000 | KSG M25 BN 0 NI 2 G25 | D.33 |
| 1911580000 | KSG M32 BN 0 NI 2 G32 | D.33 |
| 1911590000 | KSG M40 BN 0 NI 2 G40 | D.33 |
| 1911600000 | KSG M50 BN 0 NI 2 G50S | D.33 |
| 1911610000 | KSG M50 BN 0 NI 2 G50 | D.33 |
| 1911620000 | KSG M63 BN 0 NI 2 G63S | D.33 |
| 1911630000 | KSG M63 BN 0 NI 2 G63 | D.33 |
| 1913320000 | GWDR M12-NP | D.46 |

1920000000

| | | |
|------------|---------------------------|-------|
| 1921720000 | VG H M20 MS | D.10 |
| 1921740000 | VG H M25 MS | D.10 |
| 1921760000 | VG H M32 MS | D.10 |
| 1921770000 | VG H M40 MS | D.10 |
| 1928060000 | TS15 68 Klippon POK1 CSS | C.150 |
| 1928060000 | TS15 68 Klippon POK1 CSS | C.152 |
| 1928070000 | TS15 98 Klippon POK2 CSS | C.150 |
| 1928070000 | TS15 98 Klippon POK2 CSS | C.153 |
| 1928080000 | TS15 147 Klippon POK3 CSS | C.150 |
| 1928080000 | TS15 147 Klippon POK3 CSS | C.154 |

1930000000

| | | |
|------------|-------------------------|------|
| 1937630000 | KLIPPPON K1 VMO RAL7001 | C.94 |
| 1937630000 | KLIPPPON K1 VMO RAL7001 | C.99 |

| Order No. | Type | Page |
|------------|--------------------------|-------|
| 1937720000 | KLIPPPON K71 VMO RAL7001 | C.94 |
| 1937720000 | KLIPPPON K71 VMO RAL7001 | C.114 |
| 1937730000 | KLIPPPON K61 VMO RAL7001 | C.94 |
| 1937730000 | KLIPPPON K61 VMO RAL7001 | C.112 |
| 1937740000 | KLIPPPON K52 VMO RAL7001 | C.94 |
| 1937740000 | KLIPPPON K52 VMO RAL7001 | C.110 |
| 1937750000 | KLIPPPON K51 VMO RAL7001 | C.94 |
| 1937750000 | KLIPPPON K51 VMO RAL7001 | C.109 |
| 1937800000 | KLIPPPON K41 VMO RAL7001 | C.94 |
| 1937800000 | KLIPPPON K41 VMO RAL7001 | C.107 |
| 1937810000 | KLIPPPON K32 VMO RAL7001 | C.94 |
| 1937810000 | KLIPPPON K32 VMO RAL7001 | C.105 |
| 1937820000 | KLIPPPON K31 VMO RAL7001 | C.94 |
| 1937820000 | KLIPPPON K31 VMO RAL7001 | C.104 |
| 1937830000 | KLIPPPON K21 VMO RAL7001 | C.94 |
| 1937830000 | KLIPPPON K21 VMO RAL7001 | C.102 |
| 1937840000 | KLIPPPON K02 VMO RAL7001 | C.94 |
| 1937840000 | KLIPPPON K02 VMO RAL7001 | C.98 |
| 1937850000 | KLIPPPON K01 VMO RAL7001 | C.94 |
| 1937850000 | KLIPPPON K01 VMO RAL7001 | C.97 |
| 1937860000 | KLIPPPON K5 VMO RAL7001 | C.94 |
| 1937860000 | KLIPPPON K5 VMO RAL7001 | C.108 |
| 1937870000 | KLIPPPON K6 VMO RAL7001 | C.94 |
| 1937870000 | KLIPPPON K6 VMO RAL7001 | C.111 |
| 1937880000 | KLIPPPON K7 VMO RAL7001 | C.94 |
| 1937880000 | KLIPPPON K7 VMO RAL7001 | C.113 |
| 1937890000 | KLIPPPON K4 VMO RAL7001 | C.94 |
| 1937890000 | KLIPPPON K4 VMO RAL7001 | C.106 |
| 1937900000 | KLIPPPON K3 VMO RAL7001 | C.94 |
| 1937900000 | KLIPPPON K3 VMO RAL7001 | C.103 |
| 1937910000 | KLIPPPON K11 VMO RAL7001 | C.94 |
| 1937910000 | KLIPPPON K11 VMO RAL7001 | C.100 |
| 1937920000 | KLIPPPON K0 VMO RAL7001 | C.94 |
| 1937920000 | KLIPPPON K0 VMO RAL7001 | C.96 |
| 1937930000 | KLIPPPON K2 VMO RAL7001 | C.94 |
| 1937930000 | KLIPPPON K2 VMO RAL7001 | C.101 |
| 1939540000 | KLIPPPON K01 VMO | C.94 |
| 1939540000 | KLIPPPON K01 VMO | C.97 |
| 1939550000 | KLIPPPON K02 VMO | C.94 |
| 1939550000 | KLIPPPON K02 VMO | C.98 |
| 1939560000 | KLIPPPON K1 VMO | C.94 |
| 1939560000 | KLIPPPON K1 VMO | C.99 |
| 1939570000 | KLIPPPON K11 VMO | C.94 |
| 1939570000 | KLIPPPON K11 VMO | C.100 |
| 1939580000 | KLIPPPON K2 VMO | C.94 |
| 1939580000 | KLIPPPON K2 VMO | C.101 |
| 1939590000 | KLIPPPON K21 VMO | C.94 |
| 1939590000 | KLIPPPON K21 VMO | C.102 |
| 1939600000 | KLIPPPON K3 VMO | C.94 |
| 1939600000 | KLIPPPON K3 VMO | C.103 |
| 1939610000 | KLIPPPON K31 VMO | C.94 |
| 1939610000 | KLIPPPON K31 VMO | C.104 |
| 1939620000 | KLIPPPON K32 VMO | C.94 |
| 1939620000 | KLIPPPON K32 VMO | C.105 |
| 1939630000 | KLIPPPON K4 VMO | C.94 |
| 1939630000 | KLIPPPON K4 VMO | C.106 |
| 1939640000 | KLIPPPON K41 VMO | C.94 |
| 1939640000 | KLIPPPON K41 VMO | C.107 |
| 1939650000 | KLIPPPON K5 VMO | C.94 |
| 1939650000 | KLIPPPON K5 VMO | C.108 |
| 1939660000 | KLIPPPON K51 VMO | C.94 |
| 1939660000 | KLIPPPON K51 VMO | C.109 |
| 1939670000 | KLIPPPON K52 VMO | C.94 |
| 1939670000 | KLIPPPON K52 VMO | C.110 |
| 1939680000 | KLIPPPON K6 VMO | C.94 |
| 1939680000 | KLIPPPON K6 VMO | C.111 |
| 1939700000 | KLIPPPON K61 VMO | C.94 |
| 1939700000 | KLIPPPON K61 VMO | C.112 |
| 1939710000 | KLIPPPON K7 VMO | C.94 |
| 1939710000 | KLIPPPON K7 VMO | C.113 |
| 1939730000 | KLIPPPON K71 VMO | C.94 |
| 1939730000 | KLIPPPON K71 VMO | C.114 |
| 1939760000 | KLIPPPON K0 VMO | C.94 |
| 1939760000 | KLIPPPON K0 VMO | C.96 |

2020000000

| | | |
|------------|-----------------------|------|
| 2022050000 | KT B MOPL 2215 MSZN H | C.15 |
| 2022060000 | KT B MOPL 2626 MSZN H | C.16 |
| 2022060000 | KT B MOPL 2626 MSZN H | C.17 |
| 2022190000 | KT B MOPL 3030 MSZN H | C.18 |
| 2022190000 | KT B MOPL 3030 MSZN H | C.19 |
| 2022310000 | KT B MOPL 3526 MSZN H | C.20 |
| 2022310000 | KT B MOPL 3526 MSZN H | C.21 |
| 2022420000 | KT B MOPL 4030 MSZN H | C.22 |
| 2022420000 | KT B MOPL 4030 MSZN H | C.23 |
| 2022590000 | KT B MOPL 4538 MSZN H | C.24 |
| 2022590000 | KT B MOPL 4538 MSZN H | C.25 |
| 2022610000 | KT B MOPL 4848 MSZN H | C.26 |
| 2022610000 | KT B MOPL 4848 MSZN H | C.27 |
| 2022650000 | KT B MOPL 5535 MSZN H | C.28 |
| 2022650000 | KT B MOPL 5535 MSZN H | C.29 |
| 2022670000 | KT B MOPL 6245 MSZN H | C.30 |
| 2022670000 | KT B MOPL 6245 MSZN H | C.31 |
| 2022680000 | KT B MOPL 7650 MSZN H | C.32 |
| 2022680000 | KT B MOPL 7650 MSZN H | C.33 |
| 2022740000 | KT B MOPL 9161 MSZN H | C.34 |
| 2022740000 | KT B MOPL 9161 MSZN H | C.35 |
| 2022760000 | KT B MOPL 9874 MSZN H | C.36 |

| Order No. | Type | Page |
|------------|-------------------------|------|
| 2022770000 | KT B GP 221513 AB S4 PE | C.15 |
| 2022900000 | KT B GP 221513 CD S4 PE | C.15 |
| 2022930000 | KT B GP 262615 AB S4 PE | C.16 |
| 2023090000 | KT B GP 262615 CD S4 PE | C.16 |
| 2023100000 | KT B GP 262620 AB S4 PE | C.17 |
| 2023110000 | KT B GP 262620 CD S4 PE | C.17 |
| 2023120000 | KT B GP 303015 AB S4 PE | C.18 |
| 2023130000 | KT B GP 303015 CD S4 PE | C.18 |
| 2023140000 | KT B GP 303020 AB S4 PE | C.19 |
| 2023150000 | KT B GP 303020 CD S4 PE | C.19 |
| 2023160000 | KT B GP 352615 AB S4 PE | C.20 |
| 2023210000 | KT B GP 352615 DC S4 PE | C.20 |
| 2023230000 | KT B GP 352620 AB S4 PE | C.21 |
| 2023280000 | KT B GP 352620 CD S4 PE | C.21 |
| 2023320000 | KT B GP 403015 AB S4 PE | C.22 |
| 2023330000 | KT B GP 403015 CD S4 PE | C.22 |
| 2023450000 | KT B GP 403020 AB S4 PE | C.23 |
| 2023480000 | KT B GP 403020 CD S4 PE | C.23 |
| 2023490000 | KT B GP 453815 AB S4 PE | C.24 |
| 2023500000 | KT B GP 453815 CD S4 PE | C.24 |
| 2023510000 | KT B GP 453820 AB S4 PE | C.25 |
| 2023520000 | KT B GP 453820 CD S4 PE | C.25 |
| 2023530000 | KT B GP 484815 AB S4 PE | C.26 |
| 2023540000 | KT B GP 484815 CD S4 PE | C.26 |
| 2023580000 | KT B GP 484820 AB S4 PE | C.27 |
| 2023620000 | KT B GP 484820 CD S4 PE | C.27 |
| 2023660000 | KT B GP 553515 AB S4 PE | C.28 |
| 2023670000 | KT B GP 553515 CD S4 PE | C.28 |
| 2023740000 | KT B GP 553520 AB S4 PE | C.29 |
| 2023790000 | KT B GP 553520 CD S4 PE | C.29 |
| 2023820000 | KT B GP 624515 AB S4 PE | C.30 |
| 2023870000 | KT B GP 624515 CD S4 PE | C.30 |
| 2023880000 | KT B GP 624520 AB S4 PE | C.31 |
| 2023930000 | KT B GP 624520 CD S4 PE | C.31 |
| 2024040000 | KT B GP 765015 AB S4 PE | C.32 |
| 2024090000 | KT B GP 765015 CD S4 PE | C.32 |
| 2024100000 | KT B GP 765020 AB S4 PE | C.33 |
| 2024140000 | KT B GP 765020 CD S4 PE | C.33 |
| 2024150000 | KT B GP 916115 AB S4 PE | C.34 |
| 2024300000 | KT B GP 916115 CD S4 PE | C.34 |
| 2024470000 | KT B GP 916120 AB S4 PE | C.35 |
| 2024490000 | KT B GP 916120 CD S4 PE | C.35 |
| 2024560000 | KT B GP 987420 AB S4 PE | C.36 |
| 2024590000 | KT B GP 987420 CD S4 PE | C.36 |

2060000000

| | | |
|------------|------------------|-------|
| 2066710000 | VP M12 EX SI T/J | D.58 |
| 2066720000 | VP M16 EX SI T/J | C.152 |
| 2066720000 | VP M16 EX SI T/J | D.58 |
| 2066730000 | VP M20 EX SI T/J | C.153 |
| 2066730000 | VP M20 EX SI T/J | C.154 |
| 2066730000 | VP M20 EX SI T/J | C.155 |
| 2066730000 | VP M20 EX SI T/J | C.156 |
| 2066730000 | VP M20 EX SI T/J | D.58 |
| 2066740000 | VP M25 EX SI T/J | D.58 |
| 2066750000 | VP M32 EX SI T/J | D.58 |
| 2066760000 | VP M40 EX SI T/J | D.58 |
| 2066770000 | VP M50 EX SI T/J | D.58 |
| 2066940000 | VP M63 EX SI T/J | D.58 |

2470000000

| | | |
|------------|---------------------|------|
| 2470690000 | KEBI QL 302015 S2B0 | C.50 |
| 2470690000 | KEBI QL 302015 S2B0 | C.52 |
| 2470700000 | KEBI QL 303015 S2B0 | C.50 |
| 2470700000 | KEBI QL 303015 S2B0 | C.53 |
| 2470710000 | KEBI QL 303022 S2B0 | C.50 |
| 2470710000 | KEBI QL 303022 S2B0 | C.54 |
| 2470720000 | KEBI QL 403015 S2B0 | C.50 |
| 2470720000 | KEBI QL 403015 S2B0 | C.55 |
| 2470730000 | KEBI QL 403022 S2B0 | C.50 |
| 2470730000 | KEBI QL 403022 S2B0 | C.56 |
| 2470740000 | KEBI QL 404022 S2B0 | C.50 |
| 2470740000 | KEBI QL 404022 S2B0 | C.57 |
| 2470750000 | KEBI QL 504022 S2B0 | C.50 |
| 2470760000 | KEBI | |

| Order No. | Type | Page | Order No. | Type | Page | Order No. | Type | Page | Order No. | Type | Page |
|------------|-------------------------|------|------------|--------------------------|-------|------------|--------------------------|-------|------------|--------------------------|-------|
| 2583490000 | CABTITE FR 4-1 BK | E.5 | 2584690000 | CABTITE SE 6-7 SMLBK | E.4 | 2722260000 | VG M20 EXI 11-14 CR7J G4 | D.38 | 8000003889 | TS15X5 ST POK 0808 | C.132 |
| 2583500000 | CABTITE CSE 7-24 LRG BK | E.4 | 2584710000 | CABTITE SE 5-6 SMLBK | E.4 | 2722270000 | VG M25 EXI 12-17 CR7J G4 | D.38 | 8000003890 | TS15X5 ST POK 0811 | C.133 |
| 2583510000 | CABTITE CSE 2-11 SMLBK | E.4 | 2584730000 | CABTITE SE 3-4 SMLBK | E.4 | 2722280000 | VG M25 EXI 14-18 CR7J G4 | D.38 | 8000003890 | TS15X5 ST POK 0811 | C.137 |
| 2583520000 | CABTITE SE 2/ASI SMLBK | E.4 | 2584760000 | CABTITE SE 2-3 SMLBK | E.4 | 2722290000 | VG M32 EXI 16-21 CR7J G4 | D.38 | 8000003891 | TS15X5 ST POK 0816 | C.134 |
| 2583530000 | CABTITE SE 1/ASI SMLBK | E.4 | 2584780000 | CABTITE SE 1-52 SMLBK | E.4 | 2722300000 | VG M32 EXI 19-25 CR7J G4 | D.38 | 8000003892 | TS15X5 ST POK 0819 | C.135 |
| 2583540000 | CABTITE SE 2/8 SMLBK | E.4 | 2584790000 | CABTITE BSE SMLBK | E.4 | 2722310000 | VG M40 EXI 20-28 CR7J G4 | D.38 | 8000003908 | TS35X7 5 ST K52 | C.139 |
| 2583550000 | CABTITE SE 2/7 SMLBK | E.4 | 2584800000 | CABTITE SE 2/ASI SMLGY | E.4 | 2722320000 | VG M40 EXI 23-32 CR7J G4 | D.38 | 8000003909 | TS35X7 5 ST POK 1626 | C.140 |
| 2583560000 | CABTITE SE 4/4-5 SMLBK | E.4 | 2584810000 | CABTITE SE 1/ASI SMLGY | E.4 | 2722330000 | VG M50 EXI 31-38 CR7J G4 | D.38 | 8000003910 | TS35X7 5 ST POK 1636 | C.141 |
| 2583580000 | CABTITE SE 4/3-4 SMLBK | E.4 | 2584820000 | CABTITE SE 2/8 SMLGY | E.4 | 2722340000 | VG M63 EXI 35-44 CR7J G4 | D.38 | 8000003911 | TS35X7 5 ST POK 1656 | C.142 |
| 2583590000 | CABTITE SE 4/2-3 SMLBK | E.4 | 2584830000 | CABTITE SE 2/7 SMLGY | E.4 | 2722350000 | VG M12 EXI 4-6,5 SI7J G4 | D.39 | 8000003912 | TS35X7 5 ST POK 2525 | C.143 |
| 2583610000 | CABTITE SE 2/5-6 SMLBK | E.4 | 2584840000 | CABTITE SE 4/4-5 SMLGY | E.4 | 2722360000 | VG M16 EXI 5-8 SI7J G4 | D.39 | 8000003912 | TS35X7 5 ST POK 2525 | C.144 |
| 2583620000 | CABTITE SE 2/4-5 SMLBK | E.4 | 2584860000 | CABTITE SE 4/3-4 SMLGY | E.4 | 2722370000 | VG M16 EXI 6-10 SI7J G4 | D.39 | 8000003913 | TS35X7 5 ST POK 4040 | C.145 |
| 2583630000 | CABTITE SE 32-33 LRG BK | E.4 | 2584870000 | CABTITE SE 4/2-3 SMLGY | E.4 | 2722380000 | VG M20 EXI 7-12 SI7J G4 | D.39 | 8000003913 | TS35X7 5 ST POK 4040 | C.146 |
| 2583640000 | CABTITE SE 31-32 LRG BK | E.4 | 2584880000 | CABTITE SE 2/5-6 SMLGY | E.4 | 2722390000 | VG M20 EXI 7-13 SI7J G4 | D.39 | 8000003913 | TS35X7 5 ST POK 4040 | C.148 |
| 2583650000 | CABTITE SE 30-31 LRG BK | E.4 | 2584900000 | CABTITE SE 2/4-5 SMLGY | E.4 | 2722400000 | VG M20 EXI 11-14 SI7J G4 | D.39 | 8000003914 | TS35X7 5 ST POK 2560 | C.147 |
| 2583660000 | CABTITE SE 29-30 LRG BK | E.4 | 2584910000 | CABTITE SE 33-34 LRG BK | E.4 | 2722410000 | VG M25 EXI 12-17 SI7J G4 | D.39 | 8000004129 | MOPL SET BK4 S | C.116 |
| 2583670000 | CABTITE SE 28-29 LRG BK | E.4 | 2584920000 | CABTITE SE 32-33 LRG GY | E.4 | 2722420000 | VG M25 EXI 14-18 SI7J G4 | D.39 | 8000004130 | KL SET 52Z 5 S | C.116 |
| 2583680000 | CABTITE SE 27-28 LRG BK | E.4 | | | | 2722430000 | VG M32 EXI 16-21 SI7J G4 | D.39 | 8000004132 | MOPL SET BKG S | C.116 |
| 2583690000 | CABTITE SE 26-27 LRG BK | E.4 | | | | 2722440000 | VG M32 EXI 19-25 SI7J G4 | D.39 | 8000004133 | KL SET 142Z 5 S | C.116 |
| 2583700000 | CABTITE SE 25-26 LRG BK | E.4 | | | | 2722450000 | VG M40 EXI 20-28 SI7J G4 | D.39 | 8000004134 | KL SET 134A S | C.116 |
| 2583710000 | CABTITE SE 24-25 LRG BK | E.4 | 2585510000 | CABTITE SE 33-34 LRG BK | E.4 | 2722460000 | VG M40 EXI 23-32 SI7J G4 | D.39 | 8000004135 | MOPL SET BK12 S | C.116 |
| 2583720000 | CABTITE FR 24/10 BK SET | E.6 | 2585520000 | CABTITE SE 34-35 LRG BK | E.4 | 2722470000 | VG M50 EXI 31-38 SI7J G4 | D.39 | 8000004136 | KL SET 242Z 5 S | C.116 |
| 2583730000 | CABTITE SE 23-24 LRG BK | E.4 | 2585530000 | CABTITE SE 34-35 LRG GY | E.4 | 2722480000 | VG M63 EXI 35-44 SI7J G4 | D.39 | 8000004137 | KL SET 214A S | C.116 |
| 2583740000 | CABTITE FR 16/8 BK SET | E.6 | | | | | | | 8000004138 | KL SET 514 S | C.116 |
| 2583750000 | CABTITE SE 22-23 LRG BK | E.4 | | | | | | | 8000004139 | KL SET 424 S | C.116 |
| 2583760000 | CABTITE FR 10/6 BK SET | E.5 | | | | | | | 8000004140 | KL SET 184W S | C.116 |
| 2583770000 | CABTITE SE 21-22 LRG BK | E.4 | 2635120000 | CABTITE SC M5X25 SET | E.6 | | | | 8000004142 | KL SET 324W S | C.116 |
| 2583780000 | CABTITE FR 4-1 BK SET | E.5 | 2635120000 | CABTITE SC M5X25 SET | E.6 | | | | 8000004142 | KL SET 324W S | C.150 |
| 2583790000 | CABTITE SE 20-21 LRG BK | E.4 | 2637360000 | CABTITE TOOL ATSE PA | E.6 | | | | 8000004142 | KL SET 324W S | C.156 |
| 2583800000 | CABTITE FR 24/10 BK | E.6 | 2637360000 | CABTITE TOOL ATSE PA | E.6 | | | | 8000004143 | KL SET 324W S | C.116 |
| 2583810000 | CABTITE SE 19-20 LRG BK | E.4 | | | | | | | 8000004143 | KL SET 382Z 5 S | C.150 |
| 2583830000 | CABTITE SE 18-19 LRG BK | E.4 | | | | | | | 8000004143 | KL SET 382Z 5 S | C.156 |
| 2583840000 | CABTITE SE 17-18 LRG BK | E.4 | | | | | | | 8000004144 | KL SET 64A S | C.150 |
| 2583850000 | CABTITE SE 16-17 LRG BK | E.4 | 2652280000 | CABTITE SE 3/5-6 SMLBK | E.4 | 3073000000 | MOPL K11 STAHL | C.100 | 8000004144 | KL SET 64A S | C.152 |
| 2583860000 | CABTITE SE 15-16 LRG BK | E.4 | 2652290000 | CABTITE SE 3/5-6 SMLGY | E.4 | 3073010000 | MOPL K21 STAHL | C.102 | 8000004145 | KL SET 104A S | C.150 |
| 2583880000 | CABTITE SE 14-15 LRG BK | E.4 | 2652300000 | CABTITE BP 2MM PA | E.8 | 3073020000 | MOPL K32 STAHL | C.105 | 8000004145 | KL SET 104A S | C.156 |
| 2583890000 | CABTITE CR 24/10 EMV | E.8 | 2652310000 | CABTITE BP 3MM PA | E.8 | 3073030000 | MOPL K41 STAHL | C.107 | 8000004145 | KL SET 104A S | C.153 |
| 2583900000 | CABTITE BSE LRG BK | E.4 | 2652320000 | CABTITE BP 4MM PA | E.8 | 3073040000 | MOPL K51 STAHL | C.108 | 8000004146 | KL SET 184A S | C.150 |
| 2583910000 | CABTITE CR 16/8 EMV | E.8 | 2652330000 | CABTITE BP 5MM PA | E.8 | 3073050000 | MOPL K52 STAHL | C.110 | 8000004146 | KL SET 184W S | C.154 |
| 2583930000 | CABTITE CR 10/6 EMV | E.8 | 2652340000 | CABTITE BP 6MM PA | E.8 | 3073060000 | MOPL K6 STAHL | C.111 | 8000004147 | KLIPPPON K1 1,5M16AB CSS | C.116 |
| 2583950000 | CABTITE CR 4/1 EMV | E.8 | 2652350000 | CABTITE BP 7MM PA | E.8 | 3073070000 | MOPL K6 STAHL | C.110 | 8000004148 | KLIPPPON K1 1M20AB CSS | C.116 |
| 2583960000 | CABTITE SE 15-16 SMLBK | E.4 | 2652360000 | CABTITE BP 8MM PA | E.8 | 3073100000 | MOPL K6 STAHL | C.111 | 8000004149 | KLIPPPON K11 2M16AB CSS | C.116 |
| 2583980000 | CABTITE SE 14-15 SMLBK | E.4 | 2652370000 | CABTITE BP 9MM PA | E.8 | 3073120000 | MOPL K61 STAHL | C.112 | 8000004149 | KLIPPPON K11 2M16AB CSS | C.116 |
| 2584000000 | CABTITE SE 13-14 SMLBK | E.4 | 2652380000 | CABTITE BP 10MM PA | E.8 | 3073130000 | MOPL K7 STAHL | C.113 | 8000004150 | KLIPPPON K11 2M20AB CSS | C.116 |
| 2584010000 | CABTITE LNS M63 BK | E.7 | 2652390000 | CABTITE BP 12MM PA | E.8 | 3073140000 | MOPL K71 STAHL | C.114 | 8000004151 | KLIPPPON K21 3M16AB CSS | C.116 |
| 2584020000 | CABTITE SE 12-13 SMLBK | E.4 | 2652400000 | CABTITE BP 13MM PA | E.8 | | | | 8000004152 | KLIPPPON K21 3M16AB CSS | C.116 |
| 2584030000 | CABTITE LNS M50 BK | E.7 | 2652410000 | CABTITE BP 14MM PA | E.8 | 3896100000 | SP M6 15 MSZN | C.52 | 8000004153 | KLIPPPON K3 4M20AB CSS | C.116 |
| 2584040000 | CABTITE SE 11-12 SMLBK | E.4 | 2652420000 | CABTITE BP 15MM PA | E.8 | 3896100000 | SP M6 15 MSZN | C.53 | 8000004154 | KLIPPPON K31 4M20AB CSS | C.116 |
| 2584050000 | CABTITE LNS M40 BK | E.7 | 2652430000 | CABTITE BP 17MM PA | E.8 | 3896100000 | SP M6 15 MSZN | C.54 | 8000004154 | KLIPPPON K4 2M20AB CSS | C.116 |
| 2584060000 | CABTITE SE 10-11 SMLBK | E.4 | 2652440000 | CABTITE BP 20MM PA | E.8 | 3896100000 | SP M6 15 MSZN | C.55 | 8000004155 | KLIPPPON K4 2M20AB CSS | C.116 |
| 2584070000 | CABTITE LNS M32 BK | E.7 | 2652450000 | CABTITE BP 21MM PA | E.8 | 3896100000 | SP M6 15 MSZN | C.56 | 8000004158 | KLIPPPON K5 4M20AB CSS | C.116 |
| 2584080000 | CABTITE SE 9-10 SMLBK | E.4 | 2652460000 | CABTITE BP 25MM PA | E.8 | 3896100000 | SP M6 15 MSZN | C.57 | 8000004160 | KLIPPPON POK1 2M16AB CSS | C.150 |
| 2584090000 | CABTITE LNS M25 BK | E.7 | 2652470000 | CABTITE BP 28MM PA | E.8 | 3896100000 | SP M6 15 MSZN | C.58 | 8000004160 | KLIPPPON POK1 2M16AB CSS | C.152 |
| 2584110000 | CABTITE LNS M20 BK | E.7 | 2652480000 | CABTITE BP 35MM PA | E.8 | 3896100000 | SP M6 15 MSZN | C.59 | 8000004161 | KLIPPPON POK2 2M20AB CSS | C.153 |
| 2584120000 | CABTITE CGS M63 BK | E.7 | | | | 3896100000 | SP M6 15 MSZN | C.60 | 8000004161 | KLIPPPON POK2 2M20AB CSS | C.150 |
| 2584130000 | CABTITE CGS M50 BK | E.7 | | | | 3896100000 | SP M6 15 MSZN | C.61 | 8000004162 | KLIPPPON POK3 4M20AB CSS | C.150 |
| 2584150000 | CABTITE CGS M40 BK | E.7 | 2721930000 | VG M12 EXE 4-6,5 CR7J G4 | D.38 | 3896100000 | SP M6 15 MSZN | C.62 | 8000004162 | KLIPPPON POK3 4M20AB CSS | C.154 |
| 2584160000 | CABTITE CGS M32 BK | E.7 | 2721940000 | VG M16 EXE 5-8 CR7J G4 | D.38 | 3896200000 | SP M6 20 MSZN | C.52 | 8000004164 | KLIPPPON POK5 4M20ABCSS | C.156 |
| 2584180000 | CABTITE CGS M25 BK | E.7 | 2721950000 | VG M16 EXE 6-10 CR7J G4 | D.38 | 3896200000 | SP M6 20 MSZN | C.53 | 8000004184 | KLIPPPON K01 1M16AB CSS | C.116 |
| 2584200000 | CABTITE CGS M20 BK | E.7 | 2721960000 | VG M20 EXE 7-12 CR7J G4 | D.38 | 3896200000 | SP M6 20 MSZN | C.54 | 8000004202 | KLIPPPON K1 M16BCSS EX | C.116 |
| 2584210000 | CABTITE FRL 24/10 BK | E.6 | 2721970000 | VG M20 EXE 7-13 CR7J G4 | D.38 | 3896200000 | SP M6 20 MSZN | C.55 | 8000004203 | KLIPPPON K1 M20BCSS EX | C.116 |
| 2584220000 | CABTITE FRL 16/8 BK | E.6 | 2721980000 | VG M20 EXE 11-14 CR7J G4 | D.38 | 3896200000 | SP M6 20 MSZN | C.56 | 8000004204 | KLIPPPON K11 M16ZCSS EX | C.116 |
| 2584240000 | CABTITE FRL 10/6 BK | E.5 | 2721990000 | VG M20 EXE 12-17 CR7J G4 | D.38 | 3896200000 | SP M6 20 MSZN | C.57 | 8000004207 | KLIPPPON K11 M16ACSS EX | C.116 |
| 2584260000 | CABTITE FRL 4-1 BK | E.5 | 2722000000 | VG M25 EXE 14-18 CR7J G4 | D.38 | 3896200000 | SP M6 20 MSZN | C.58 | 8000004208 | KLIPPPON K11 M20ZCSS EX | C.116 |
| 2584270000 | CABTITE GI H BK | E.7 | 2722010000 | VG M32 EXE 16-21 CR7J G4 | D.38 | 3896200000 | SP M6 20 MSZN | C.59 | 8000004209 | KLIPPPON K11 M20ACSS EX | C.116 |
| 2584290000 | CABTITE GI B BK | E.7 | 2722020000 | VG M32 EXE 19-25 CR7J G4 | D.38 | 3896200000 | SP M6 20 MSZN | C.60 | 8000004210 | KLIPPPON K2 M20BCSS EX | C.116 |
| 2584300000 | CABTITE GI BK | E.7 | 2722030000 | VG M40 EXE 20-28 CR7J G4 | D.38 | 3896200000 | SP M6 20 MSZN | C.61 | 8000004211 | KLIPPPON K21 M16ZCSS EX | C.116 |
| 2584320000 | CABTITE GI BK | E.7 | 2722040000 | VG M40 EXE 23-32 CR7J G4 | D.38 | 3896200000 | SP M6 20 MSZN | C.62 | 8000004212 | KLIPPPON K21 M16ACSS EX | C.116 |
| 2584330000 | CABTITE SE 8-9 SMLBK | E.4 | 2722050000 | VG M50 EXE 31-38 CR7J G4 | D.38 | 3896200000 | SP M6 20 MSZN | C.62 | 8000004213 | KLIPPPON K3 M20BCSS EX | C.116 |
| 2584340000 | CABTITE SE 31-32 LRG GY | E.4 | 2722060000 | VG M63 EXE 35-44 CR7J G4 | D.38 | 3896300000 | SP M6 30 MSZN | C.52 | 8000004218 | KLIPPPON K31 M20ZCSS EX | C.116 |
| 2584350000 | CABTITE SE 28-29 LRG GY | E.4 | 2722070000 | VG M12 EXE 4-6,5 SI7J G4 | D.39 | 3896300000 | SP M6 30 MSZN | C.53 | 8000004219 | KLIPPPON K5 4M20ZCSS EX | C.116 |
| 2584360000 | CABTITE SE 30-31 LRG GY | E.4 | 2722080000 | VG M16 EXE 5-8 SI7J G4 | C.152 | 3896300000 | SP M6 30 MSZN | C.54 | 8000004220 | KLIPPPON K52 M20WCSS EX | C.116 |
| 2584370000 | CABTITE SE 27-28 LRG GY | E.4 | 2722090000 | VG M16 EXE 6-10 SI7J G4 | C.152 | 3896300000 | SP M6 30 MSZN | C.55 | 8000004221 | KLIPPPON K52 M20ZCSS EX | C.116 |
| 2584380000 | CABTITE SE 29-30 LRG GY | E.4 | 2722090000 | VG M16 EXE 6-10 SI7J G4 | C.152 | 3896300000 | SP M6 30 MSZN | C.56 | 8000004222 | KLIPPPON POK1 M16BCSS EX | C.150 |
| 2584390000 | CABTITE SE 26-27 LRG GY | E.4 | 2722100000 | VG M16 EXE 6-10 SI7J G4 | D.39 | 3896300000 | SP M6 30 MSZN | C.57 | 8000004222 | KLIPPPON POK1 M16BCSS EX | C.152 |
| 2584400000 | CABTITE SE 25-26 LRG GY | E.4 | 2722100000 | VG M20 EXE 7-12 SI7J G4 | D.39 | 3896300000 | SP M6 30 MSZN | C.58 | 8000004223 | KLIPPPON POK1 M16ACSS EX | C.150 |
| 2584410000 | CABTITE SE 24-25 LRG GY | E.4 | 2722110000 | VG M20 EXE 7-13 SI7J G4 | C.153 | 3896300000 | SP M6 30 MSZN | C.59 | 8000004223 | KLIPPPON POK1 M16ACSS EX | C.152 |
| 2584420000 | CABTITE SE 23-24 LRG GY | E.4 | 2722120000 | VG M20 EXE 7-13 SI7J G4 | C.154 | 3896300000 | SP M6 30 MSZN | C.60 | 8000004224 | KLIPPPON POK2 M20BCSS EX | C.150 |
| 2584430000 | CABTITE SE 22-23 LRG GY | E.4 | 2722130000 | VG M20 EXE 7-13 SI7J G4 | C.155 | 3896300000 | | | | | |

| Order No. | Type | Page |
|-----------|-------------------------|-------|
| 800006710 | TS35X7.5 ST KT83030 VER | C.19 |
| 800006711 | TS35X7.5 ST KT83526 VER | C.20 |
| 800006712 | TS35X7.5 ST KT83526 VER | C.21 |
| 800006712 | TS35X7.5 ST KT84030 VER | C.22 |
| 800006712 | TS35X7.5 ST KT84030 VER | C.23 |
| 800006713 | TS35X7.5 ST KT84538 VER | C.24 |
| 800006713 | TS35X7.5 ST KT84538 VER | C.25 |
| 800006714 | TS35X7.5 ST KT84848 VER | C.26 |
| 800006714 | TS35X7.5 ST KT84848 VER | C.27 |
| 800006715 | TS35X7.5 ST KT85353 VER | C.28 |
| 800006715 | TS35X7.5 ST KT85353 VER | C.29 |
| 800006716 | TS35X7.5 ST KT86245 VER | C.30 |
| 800006716 | TS35X7.5 ST KT86245 VER | C.31 |
| 800006717 | TS35X7.5 ST KT87650 VER | C.32 |
| 800006717 | TS35X7.5 ST KT87650 VER | C.33 |
| 800006718 | TS35X7.5 ST KT89161 VER | C.34 |
| 800006719 | TS35X7.5 ST KT89161 VER | C.35 |
| 800006719 | TS35X7.5 ST KT89874 VER | C.36 |
| 800006720 | TS35X7.5 ST KT82215 HOR | C.15 |
| 800006721 | TS35X7.5 ST KT83526 HOR | C.16 |
| 800006721 | TS35X7.5 ST KT83526 HOR | C.17 |
| 800006721 | TS35X7.5 ST KT83526 HOR | C.20 |
| 800006721 | TS35X7.5 ST KT83526 HOR | C.21 |
| 800006722 | TS35X7.5 ST KT83030 HOR | C.18 |
| 800006722 | TS35X7.5 ST KT83030 HOR | C.19 |
| 800006723 | TS35X7.5 ST KT84030 HOR | C.22 |
| 800006723 | TS35X7.5 ST KT84030 HOR | C.23 |
| 800006724 | TS35X7.5 ST KT84538 HOR | C.24 |
| 800006724 | TS35X7.5 ST KT84538 HOR | C.25 |
| 800006725 | TS35X7.5 ST KT84848 HOR | C.26 |
| 800006725 | TS35X7.5 ST KT84848 HOR | C.27 |
| 800006726 | TS35X7.5 ST KT85353 HOR | C.28 |
| 800006726 | TS35X7.5 ST KT85353 HOR | C.29 |
| 800006727 | TS35X7.5 ST KT86245 HOR | C.30 |
| 800006727 | TS35X7.5 ST KT86245 HOR | C.31 |
| 800006728 | TS35X7.5 ST KT87650 HOR | C.32 |
| 800006728 | TS35X7.5 ST KT87650 HOR | C.33 |
| 800006729 | TS35X7.5 ST KT89161 HOR | C.34 |
| 800006729 | TS35X7.5 ST KT89161 HOR | C.35 |
| 800006730 | TS35X7.5 ST KT89874 HOR | C.36 |
| 800028394 | STB 1 EXIA | C.76 |
| 800028394 | STB 1 EXIA | C.78 |
| 800028395 | STB 2 Exe | C.76 |
| 800028395 | STB 2 Exe | C.79 |
| 800028396 | STB 3 Exe | C.76 |
| 800028396 | STB 3 Exe | C.80 |
| 800028397 | STB 4 Exe | C.76 |
| 800028397 | STB 4 Exe | C.81 |
| 800028398 | KT8 MH 221513 EXIA | C.42 |
| 800028398 | KT8 MH 221513 EXIA | C.44 |
| 800028399 | KT8 MH 262615 EXIA | C.42 |
| 800028399 | KT8 MH 262615 EXIA | C.45 |
| 800028400 | KT8 DL 303020 EXE | C.42 |
| 800028400 | KT8 DL 303020 EXE | C.46 |
| 800028401 | KT8 DL 484820 EXE | C.42 |
| 800028401 | KT8 DL 484820 EXE | C.47 |
| 800032382 | TS15X5 ST POK 0823 | C.136 |
| 800037552 | TS35X7.5 ST KEBI 80 VER | C.62 |
| 800037553 | TS35X7.5 ST KEBI 60 VER | C.60 |
| 800037553 | TS35X7.5 ST KEBI 60 VER | C.61 |
| 800037554 | TS35X7.5 ST KEBI 50 VER | C.58 |
| 800037554 | TS35X7.5 ST KEBI 50 VER | C.59 |
| 800037555 | TS35X7.5 ST KEBI 40 VER | C.56 |
| 800037555 | TS35X7.5 ST KEBI 40 VER | C.55 |
| 800037555 | TS35X7.5 ST KEBI 40 VER | C.57 |
| 800037556 | TS35X7.5 ST KEBI 30 VER | C.52 |
| 800037556 | TS35X7.5 ST KEBI 30 VER | C.53 |
| 800037556 | TS35X7.5 ST KEBI 30 VER | C.54 |
| 800037557 | TS35X7.5 ST FPC 20 HOR | C.185 |
| 800037558 | TS35X7.5 ST FPC 20 VER | C.186 |
| 800037559 | TS35X7.5 ST FPC 30 HOR | C.185 |
| 800037560 | TS35X7.5 ST FPC 40 HOR | C.186 |
| 800037560 | TS35X7.5 ST FPC 40 HOR | C.187 |
| 800037561 | TS35X7.5 ST FPC 30 VER | C.187 |
| 800037562 | TS35X7.5 ST FPC 40 VER | C.187 |
| 800037563 | TS35X7.5 ST FPC 60 HOR | C.187 |
| 800037568 | TS35X7.5 ST POK 1222 | C.138 |
| 800037598 | TS15X5 ST MPC1217 VER | C.178 |
| 800037598 | TS15X5 ST MPC1217 VER | C.179 |
| 800037598 | TS15X5 ST MPC1217 VER | C.180 |
| 800037599 | TS15X5 ST MPC0712 VER | C.178 |
| 800037600 | TS35X7.5 ST MPC1725 VER | C.182 |
| 800037600 | TS35X7.5 ST MPC1725 VER | C.183 |
| 800037601 | TS35X7.5 ST MPC1725 HOR | C.182 |
| 800037601 | TS35X7.5 ST MPC1725 HOR | C.183 |
| 800037603 | TS 35x105_MPC_12 | C.178 |
| 800037603 | TS 35x105_MPC_12 | C.179 |
| 800037603 | TS 35x105_MPC_12 | C.181 |
| 800037604 | TS15X5 ST FPC 20 VER | C.185 |
| 800037604 | TS15X5 ST FPC 20 VER | C.186 |
| 800037605 | TS35 MPC 1717 VER | C.179 |
| 800037605 | TS35 MPC 1717 VER | C.180 |
| 800037605 | TS35 MPC 1717 VER | C.181 |

8560000000

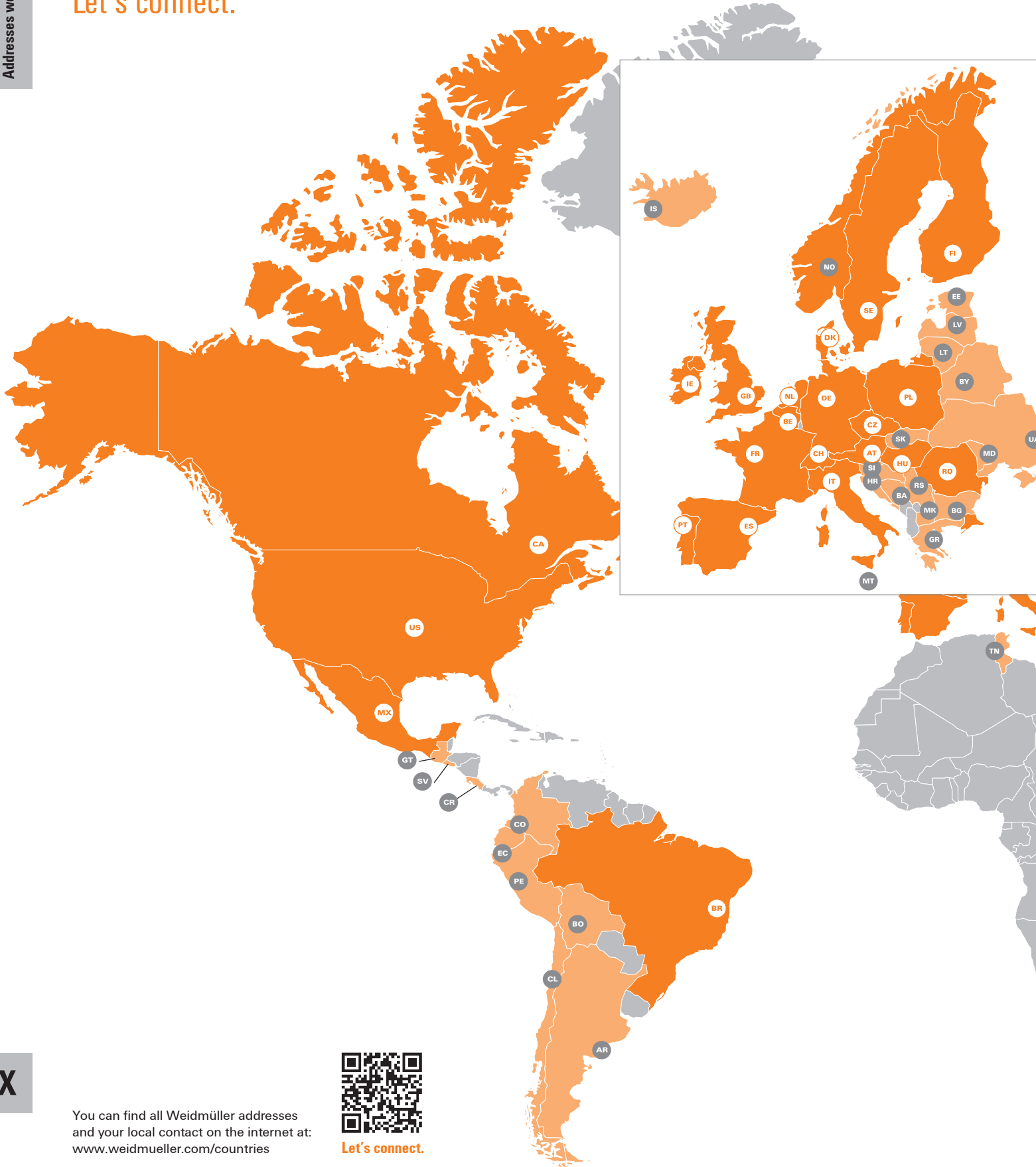
| | | |
|------------|-------------------------|------|
| 8563410000 | TS35X7.5 ST STB 4 STB 6 | C.73 |
| 8563410000 | TS35X7.5 ST STB 4 STB 6 | C.74 |

| Order No. | Type | Page |
|-------------------|---------------------------|-------|
| 8563410000 | TS35X7.5 ST STB 4 STB 6 | C.75 |
| 8680000000 | | |
| 8683740000 | TS35X7.5 ST STB 1.1 STB 2 | C.68 |
| 8683740000 | TS35X7.5 ST STB 1.1 STB 2 | C.69 |
| 8683740000 | TS35X7.5 ST STB 1.1 STB 2 | C.70 |
| 8800000000 | | |
| 8803610000 | TS35X7.5 ST STB 5 | C.73 |
| 8803610000 | TS35X7.5 ST STB 5 | C.74 |
| 8803610000 | TS35X7.5 ST STB 5 | C.75 |
| 9000000000 | | |
| 9009160000 | SD TH20 | C.96 |
| 9009160000 | SD TH20 | C.97 |
| 9009160000 | SD TH20 | C.98 |
| 9009160000 | SD TH20 | C.99 |
| 9009160000 | SD TH20 | C.100 |
| 9009160000 | SD TH20 | C.101 |
| 9009160000 | SD TH20 | C.102 |
| 9009160000 | SD TH20 | C.103 |
| 9009160000 | SD TH20 | C.104 |
| 9009160000 | SD TH20 | C.105 |
| 9009160000 | SD TH20 | C.106 |
| 9009160000 | SD TH20 | C.107 |
| 9009160000 | SD TH20 | C.108 |
| 9009160000 | SD TH20 | C.109 |
| 9009160000 | SD TH20 | C.110 |
| 9009160000 | SD TH20 | C.111 |
| 9009160000 | SD TH20 | C.112 |
| 9009160000 | SD TH20 | C.113 |
| 9009160000 | SD TH20 | C.114 |
| 9500000000 | | |
| 9500950000 | MP TBF 56/30 | C.172 |
| 9500960000 | MP TBF 49/30 | C.172 |
| 9502720000 | MP TBF 19/15 | C.170 |
| 9502730000 | MP TBF 30/30 | C.171 |
| 9502740000 | MP TBF 37/30 | C.171 |
| 9502750000 | MP TBF 60/30 | C.173 |
| 9502800000 | TBF 49/30/18 7035 | C.168 |
| 9502800000 | TBF 49/30/18 7035 | C.172 |
| 9502810000 | TBF 56/30/18 7035 | C.168 |
| 9502810000 | TBF 56/30/18 7035 | C.172 |
| 9502820000 | TBF 60/37/18 7035 | C.174 |
| 9502830000 | TBF 60/60/18 7035 | C.168 |
| 9502830000 | TBF 60/60/18 7035 | C.174 |
| 9502840000 | TBF 49/30/21 TRSP | C.168 |
| 9502840000 | TBF 49/30/21 TRSP | C.172 |
| 9502850000 | TBF 56/30/21 TRSP | C.168 |
| 9502850000 | TBF 56/30/21 TRSP | C.172 |
| 9502860000 | TBF 60/37/21 TRSP | C.168 |
| 9502860000 | TBF 60/37/21 TRSP | C.174 |
| 9502870000 | TBF 60/60/21 TRSP | C.168 |
| 9502870000 | TBF 60/60/21 TRSP | C.174 |
| 9502910000 | MP TBF 60/37 | C.174 |
| 9502920000 | MP TBF 60/60 | C.174 |
| 9510000000 | | |
| 9510570000 | POK MOPL 0808 | C.132 |
| 9510580000 | POK MOPL 0811 | C.133 |
| 9510590000 | POK MOPL 1212 | C.137 |
| 9510600000 | POK MOPL 1222 | C.138 |
| 9510610000 | POK MOPL 1616 | C.139 |
| 9510620000 | POK MOPL 1626 | C.140 |
| 9510630000 | POK MOPL 1636 | C.141 |
| 9510640000 | POK MOPL 2525 | C.143 |
| 9510640000 | POK MOPL 2525 | C.144 |
| 9510650000 | POK MOPL 2540 | C.145 |
| 9510650000 | POK MOPL 2540 | C.146 |
| 9510660000 | POK MOPL 2560 | C.147 |
| 9510670000 | POK MOPL 4040 | C.148 |
| 9510680000 | POK MOPL 0819 | C.134 |
| 9510690000 | POK MOPL 0819 | C.135 |
| 9510710000 | POK MOPL 1656 | C.142 |
| 9510900000 | MF POK SMALL | C.132 |
| 9510900000 | MF POK SMALL | C.133 |
| 9510900000 | MF POK SMALL | C.134 |
| 9510900000 | MF POK SMALL | C.135 |
| 9510900000 | MF POK SMALL | C.136 |
| 9510910000 | MF POK BIG | C.137 |
| 9510910000 | MF POK BIG | C.138 |
| 9510910000 | MF POK BIG | C.139 |
| 9510910000 | MF POK BIG | C.140 |
| 9510910000 | MF POK BIG | C.141 |
| 9510910000 | MF POK BIG | C.142 |
| 9510910000 | MF POK BIG | C.143 |
| 9510910000 | MF POK BIG | C.144 |
| 9510910000 | MF POK BIG | C.145 |
| 9510910000 | MF POK BIG | C.146 |
| 9510910000 | MF POK BIG | C.147 |
| 9510910000 | MF POK BIG | C.148 |

| Order No. | Type | Page |
|-------------------|----------------------|-------|
| 9520000000 | | |
| 9526840000 | KLIPPPON K1 EX | C.94 |
| 9526850000 | KLIPPPON K11 EX | C.94 |
| 9526860000 | KLIPPPON K2 EX | C.94 |
| 9526870000 | KLIPPPON K21 EX | C.94 |
| 9526880000 | KLIPPPON K3 EX | C.94 |
| 9526890000 | KLIPPPON K31 EX | C.94 |
| 9526900000 | KLIPPPON K32 EX | C.94 |
| 9526910000 | KLIPPPON K4 EX | C.94 |
| 9526920000 | KLIPPPON K41 EX | C.94 |
| 9526930000 | KLIPPPON K5 EX | C.94 |
| 9526940000 | KLIPPPON K51 EX | C.94 |
| 9526950000 | KLIPPPON K52 EX | C.94 |
| 9526960000 | KLIPPPON K6 EX | C.94 |
| 9526970000 | KLIPPPON K61 EX | C.94 |
| 9526980000 | KLIPPPON K7 EX | C.94 |
| 9526990000 | KLIPPPON K71 EX | C.94 |
| 9527950000 | KLIPPPON K MF KIT 25 | C.107 |
| 9527950000 | KLIPPPON K MF KIT 25 | C.109 |
| 9527950000 | KLIPPPON K MF KIT 25 | C.110 |
| 9527950000 | KLIPPPON K MF KIT 25 | C.112 |
| 9527950000 | KLIPPPON K MF KIT 25 | C.114 |
| 9529080000 | KLIPPPON K MF KIT 16 | C.108 |
| 9529080000 | KLIPPPON K MF KIT 16 | C.111 |
| 9529080000 | KLIPPPON K MF KIT 16 | C.113 |
| 9529090000 | KLIPPPON K0 RAL7001 | C.94 |
| 9529090000 | KLIPPPON K0 RAL7001 | C.96 |
| 9529100000 | KLIPPPON K01 RAL7001 | C.94 |
| 9529100000 | KLIPPPON K01 RAL7001 | C.97 |
| 9529110000 | KLIPPPON K02 RAL7001 | C.94 |
| 9529110000 | KLIPPPON K02 RAL7001 | C.98 |
| 9529120000 | KLIPPPON K1 RAL7001 | C.94 |
| 9529120000 | KLIPPPON K1 RAL7001 | C.99 |
| 9529130000 | KLIPPPON K11 RAL7001 | C.94 |
| 9529130000 | KLIPPPON K11 RAL7001 | C.100 |
| 9529140000 | KLIPPPON K2 RAL7001 | C.94 |
| 9529140000 | KLIPPPON K2 RAL7001 | C.101 |
| 9529150000 | KLIPPPON K21 RAL7001 | C.94 |
| 9529150000 | KLIPPPON K21 RAL7001 | C.102 |
| 9529160000 | KLIPPPON K3 RAL7001 | C.94 |
| 9529160000 | KLIPPPON K3 RAL7001 | C.103 |
| 9529170000 | KLIPPPON K31 RAL7001 | C.94 |
| 9529170000 | KLIPPPON K31 RAL7001 | C.104 |
| 9529180000 | KLIPPPON K32 RAL7001 | C.94 |
| 9529180000 | KLIPPPON K32 RAL7001 | C.105 |
| 9529190000 | KLIPPPON K4 RAL7001 | C.94 |
| 9529190000 | KLIPPPON K4 RAL7001 | C.106 |
| 9529200000 | KLIPPPON K41 RAL7001 | C.94 |
| 9529200000 | KLIPPPON K41 RAL7001 | C.107 |
| 9529210000 | KLIPPPON K5 RAL7001 | C.94 |
| 9529210000 | KLIPPPON K5 RAL7001 | C.108 |
| 9529220000 | KLIPPPON K51 RAL7001 | C.94 |
| 9529220000 | KLIPPPON K51 RAL7001 | C.109 |
| 9529230000 | KLIPPPON K52 RAL7001 | C.94 |
| 9529230000 | KLIPPPON K52 RAL7001 | C.110 |
| 9529240000 | KLIPPPON K6 RAL7001 | C.94 |
| 9529240000 | KLIPPPON K6 RAL7001 | C.111 |
| 9529250000 | KLIPPPON K61 RAL7001 | C.94 |
| 9529250000 | KLIPPPON K61 RAL7001 | C.112 |
| 9529260000 | KLIPPPON K7 RAL7001 | C.94 |
| 9529260000 | KLIPPPON K7 RAL7001 | C.113 |
| 9529270000 | KLIPPPON K71 RAL7001 | C.94 |
| 9529270000 | KLIPPPON K71 RAL7001 | C.114 |
| 9530000000 | | |
| 9535170000 | MPC 07/12/07 7035 | C.176 |
| 9535170000 | MPC 07/12/07 7035 | C.178 |
| 9535180000 | MPC 07/12/07 TRSP | C.176 |
| 9535180000 | MPC 07/12/07 TRSP | C.178 |
| 9535190000 | MPC 07/12/10 7035 | C.176 |
| 9535200000 | MPC 07/12/10 TRSP | C.176 |
| 9535210000 | MPC 07/12/12 7035 | C.176 |
| 9535210000 | MPC 07/12/12 7035 | C.178 |
| 9535220000 | MPC 07/12/12 TRSP | C.176 |
| 9535220000 | MPC 07/12/12 TRSP | C.178 |
| 9535230000 | MPC 12/12/07 7035 | C.176 |
| 9535230000 | MPC 12/12/07 TRSP | C.176 |
| 9535240000 | MPC 12/12/07 TRSP | C.179 |
| 9535250000 | MPC 12/12/10 7035 | C.176 |
| 9535260000 | MPC 12/12/10 TRSP | C.176 |
| 9535270000 | MPC 12/12/12 7035 | C.176 |
| 9535280000 | MPC 12/12/12 TRSP | C.176 |
| 9535290000 | MPC 12/17/07 7035 | C.176 |
| 9535290000 | MPC 12/17/07 7035 | C.179 |
| 9535300000 | MPC 12/17/07 TRSP | C.176 |
| 9535300000 | MPC 12/17/07 TRSP | C.179 |
| 9535310000 | MPC 12/17/10 7035 | C.176 |
| 9535310000 | MPC 12/17/10 7035 | C.180 |
| 9535320000 | MPC 12/17/10 TRSP | C.176 |
| 9535320000 | MPC 12/17/10 TRSP | C.180 |
| 9535330000 | MPC 12/17/12 7035 | C.176 |
| 9535330000 | MPC 12/17/12 703 | |

Addresses worldwide

Let's connect.

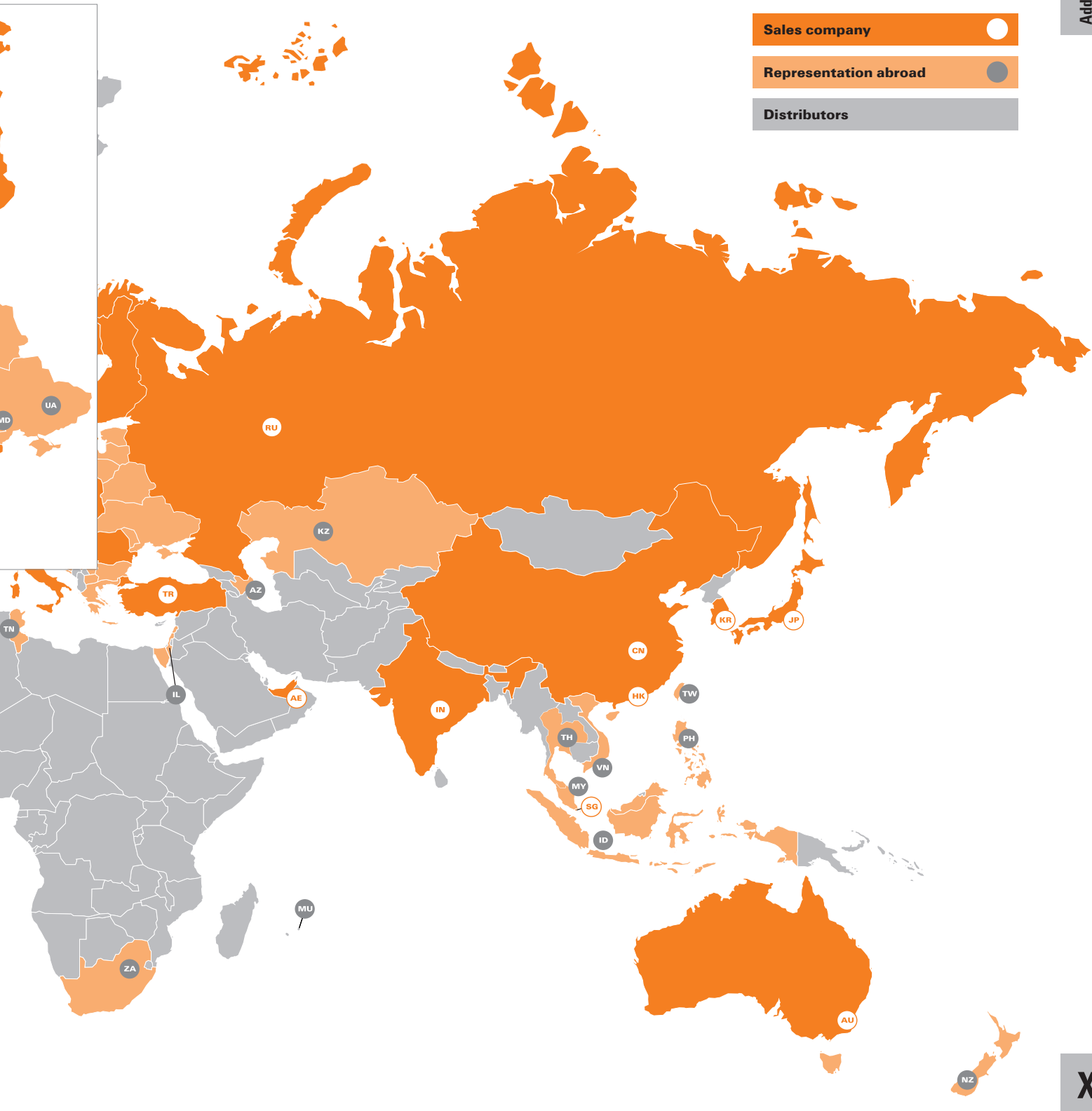


X

You can find all Weidmüller addresses and your local contact on the internet at: www.weidmueller.com/countries



Let's connect.



We cannot guarantee that there are no mistakes in the publications or software provided by us to the customer for the purpose of making orders. We try our best to quickly correct errors in our printed media.

X

All orders are based on our general terms of delivery, which can be reviewed on the websites of our group companies where you place your order. On demand we can also send the general terms of delivery to you.

Weidmüller – Your partner in Industrial Connectivity

As experienced experts we support our customers and partners around the world with products, solutions and services in the industrial environment of power, signal and data. We are at home in their industries and markets and know the technological challenges of tomorrow. We are therefore continuously developing innovative, sustainable and useful solutions for their individual needs. Together we set standards in Industrial Connectivity.

Weidmüller Interface GmbH & Co. KG
Klingenbergstraße 26
32758 Detmold, Germany
T +49 5231 14-0
F +49 5231 14-292083
www.weidmueller.com

Personal support can
be found on our website:
www.weidmueller.com/contact

Made in Germany



Order number: 2712630000/03/2020/SMM

X-ON Electronics

Largest Supplier of Electrical and Electronic Components

Click to view similar products for [Enclosures, Boxes & Cases](#) category:

Click to view products by [Weidmuller](#) manufacturer:

Other Similar products are found below :

[585-R-WH-PK](#) [M-10-PLATED](#) [60566-01-000](#) [HPL-9VB BATT DOOR](#) [M18-PLTD](#) [M-21-PLATED](#) [63310-01-000](#) [6711GSKT](#)
[71884-29-028](#) [LH45-100 Black](#) [72868-510-000](#) [CNS-0000 Black](#) [72883-510-000](#) [CNS-0101 Black](#) [72906-510-000](#) [CNS-0407 Black](#) [73092-](#)
[510-000](#) [CNM-0101 Black](#) [73105-510-000](#) [CNL-0101 Black](#) [73395-510-039](#) [CNS-0006 Bone](#) [74016-510-000](#) [CNL-0006 Black](#) [74257-510-000](#)
[CNL-0004](#) [MDC-1183-PLAIN-ALUM](#) [MDC-1183-PTD](#) [MDC-13104-PTD](#) [MDC-321-PTD](#) [MDC-973-PTD](#) [76](#) [77153-01-028](#) [FLX6030](#)
[83535-01-508](#) [90026-501-000](#) [PS36-200](#) [116-508](#) [120-407](#) [120-910](#) [127-908](#) [130-008](#) [1301170079](#) [1322GSKTEP](#) [1325GSKT3](#) [138-PLAIN](#)
[1434-1210](#) [EAS-500 \(BLACK ANO\)](#) [1804RP-RB-PK](#) [190-005](#) [2202307](#) [KAB3321 BLACK](#) [KAB3421](#) [2697466](#) [S52213](#) [2901123](#) [2901699](#)
[A0645271](#) [A20P20](#) [2106-IR](#) [PERF-850-PLN](#)