



# Klippon<sup>®</sup> K – Aluminium enclosure

Product Information



# Klippon® K – Aluminium enclosure

---

|  |    |
|--|----|
| Klippon® K – Introduction                        | 4  |
| Klippon® K – Product features                    | 5  |
| Klippon® K – Technical overview                  | 10 |
| Klippon® K – Aluminium enclosures                | 12 |
| Klippon® K – Standardised distributor enclosures | 32 |
| Klippon® K – Applications                        | 34 |
| Klippon® K – Services                            | 36 |
| Online Support                                   | 37 |

---

## Klippon® K – Aluminium enclosure

For many years, the name Klippon® has been a synonym for competence and quality in enclosures with regard to custom-designed, ready-for-connection customer solutions for industrial standard and for hazardous area applications.

Weidmüller has consolidated this philosophy by modernising and updating the Klippon® K enclosure range: improved products for all application requirements.

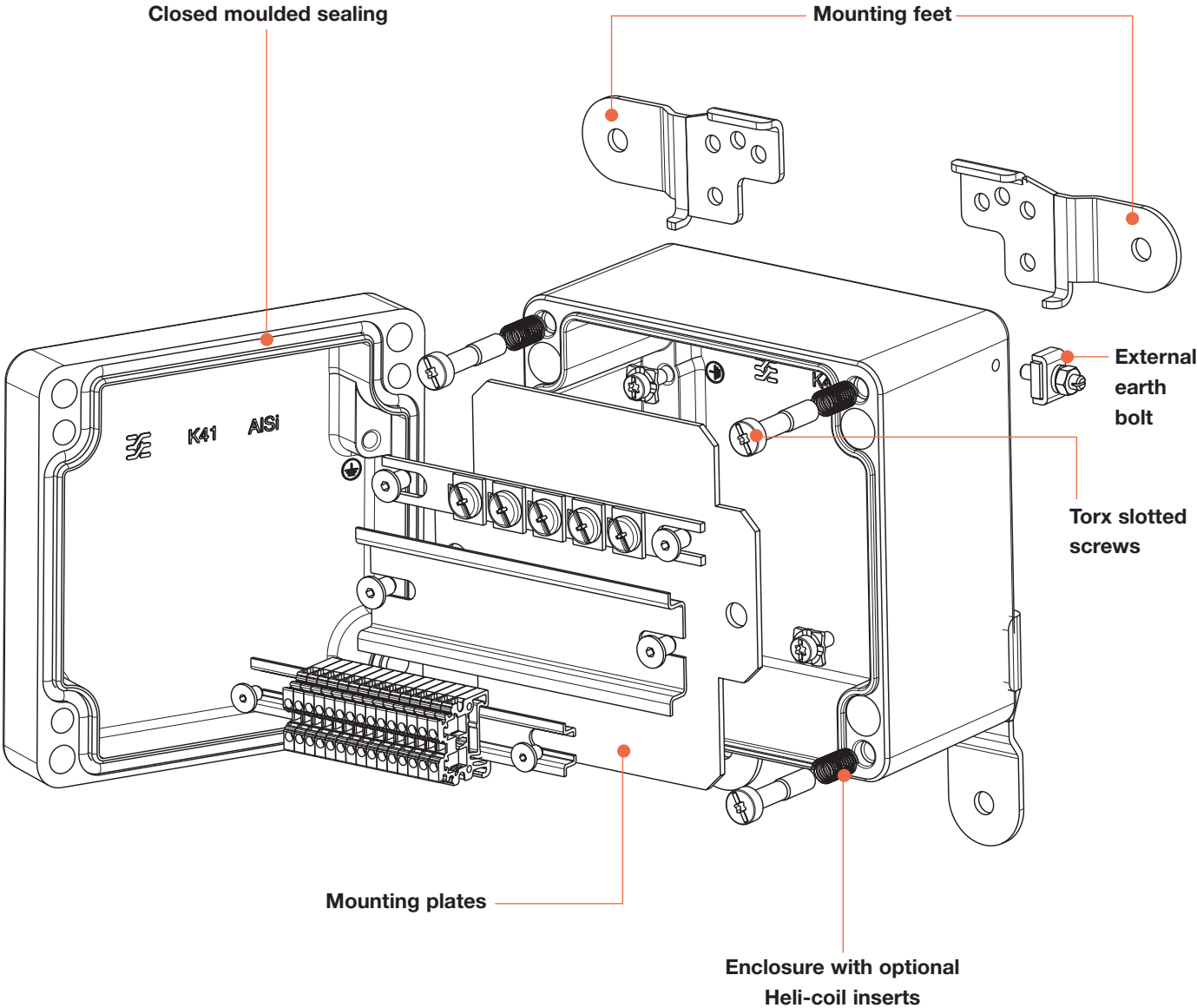
Irrespective of the application you are planning, we can supply you with a variety of aluminium enclosures designed to meet your requirements exactly.

Our extensive product range provides you with the following advantages:

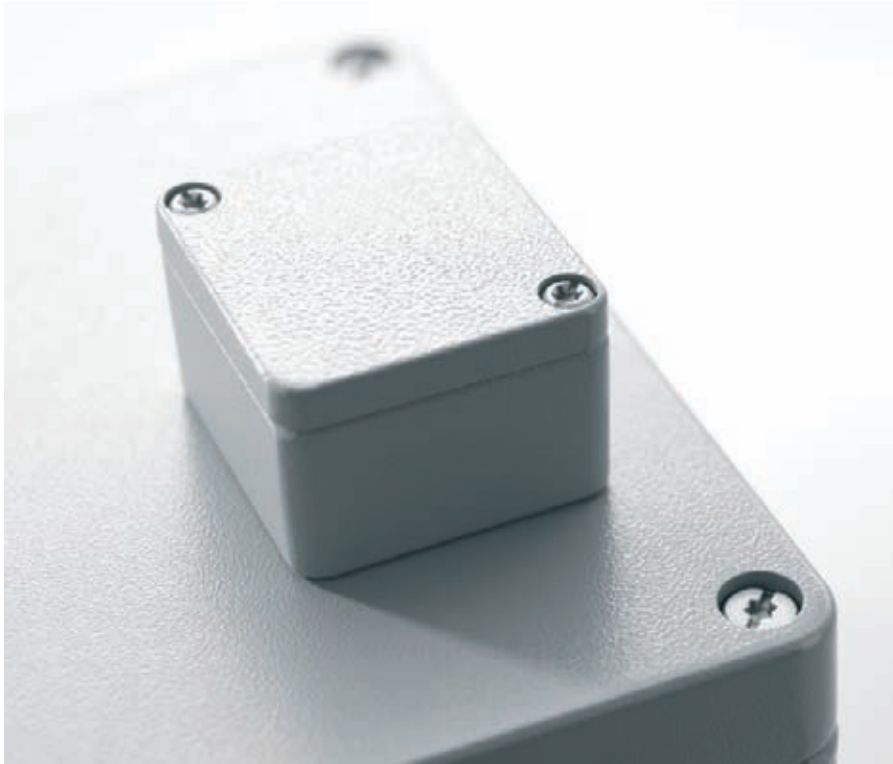
- 19 standard enclosure
- Available in 2 surfaces: natural or powder-coated finish (RAL 7001)
- With silicone and chloroprene moulded sealing
- Standardised Torx slotted screw head.
- Fixing holes outside the sealing area
- High ingress protection classes of IP66, IP67 and IP68
- Impact resistance up to 10 Joules
- Apart from the empty enclosure standard, the enclosures comply with a large number of other certifications: ATEX, GOST, GOST Ex, cULus, Russian Maritime Register, German Lloyd
- Salt water-resistant alloy
- Standardised distributor enclosures with threaded holes and various terminal configurations



Product features at a glance



## Torx slotted screws



The lids are secured with captive Torx slotted screws made of stainless steel. The standardised Torx slotted screw head permits operation of the enclosure by using only one tool.



For assembly, we recommend the use of our Torx TH20 screwdriver (9009160000). The lid screws are tightened to a torque of 2.5 Nm.



Depending on the size of the enclosure, the Torx slotted screws are available in sizes M4 to M6 and with a standard T20 Torx screw head.



Torx slotted screws are also used as a PE earth connection in the enclosure body for optional earthing of the enclosure. Additional earthing can be fitted through threaded holes in the enclosure lid.

## Closed moulded sealing

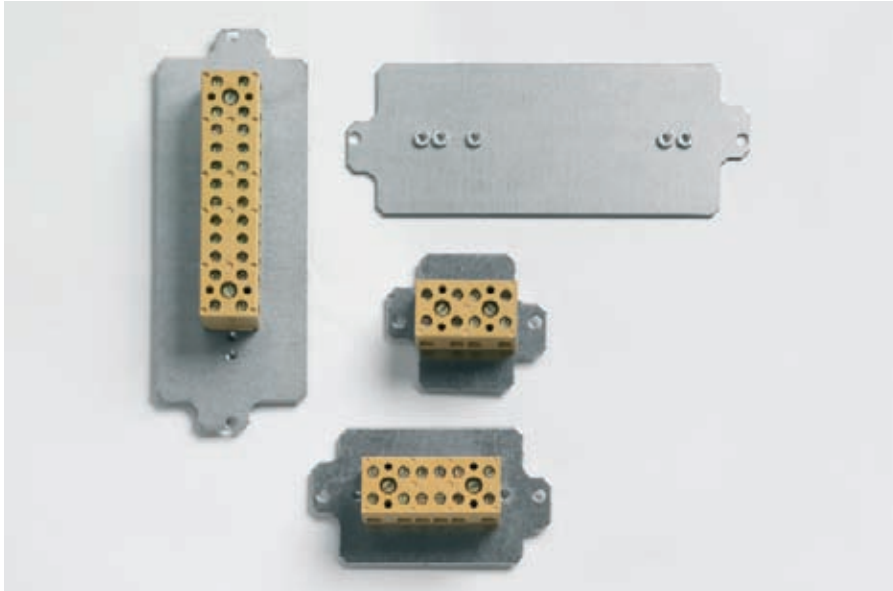


The enclosures are equipped as standard with a moulded sealing made from either silicone or chloroprene and adapted to the contour of the enclosure.



Securely filled seals ensure increased impermeability of each enclosure. The sealing guarantees IP protection from IP66 up to IP68.

## Mounting plates



Specially angled mounting plates are available for more flexible assembly of the Klippon® K 3.



Mounting plates for the installation of terminal rails or block terminals are available as option.

## Mounting lugs



The fixing positions are outside the sealing area so that additional sealing is not necessary. The fixing dimensions are engraved on the rear side of the enclosure.



The enclosure can be fastened directly via the pre-punched fixing holes provided on the rear side of the enclosure. Alternatively, it is possible to secure the enclosure from the outside by means of mounting lugs that are available as accessories.



## External earth bolt



Klippon® K Ex enclosures are designed for hazardous area applications equipped as standard with an M4 earth bolt made of stainless steel.

## Enclosure with Heli-coil inserts



Enclosures are also available on request with Heli-coils already inserted in the thread. They can be used in aggressive environments to protect against corrosion.

# Technical overview

The Klippon® K aluminium enclosures are designed for flexible use in a very wide range of applications. Their range of functions has been tried and tested on the market for many years. The Klippon® K range can even meet the stringent requirements of hazardous area applications and has the necessary international approvals.



## Technical data

|                           | Ex  | Standard  |
|---------------------------|---|---|
| Enclosure material        | High-quality aluminium alloy (Al-Si12)  | High-quality aluminium alloy (Al-Si12)  |
| Surface, untreated        | Smooth  | Smooth  |
| Surface, painted          |   | Silver-grey textured, similar to RAL 7001   |
| Paint                     |   | 40 µm paint strength  |
| IP protection class       | IP 66, IP 67  | IP 66, IP 67 and IP 68*   |
| Earthing, external        | Earth bolt M4, stainless steel  |   |
| Installation fastening    | Flexible terminal rail assembly   | Flexible terminal rail assembly   |
| Enclosure fastening       | Optional direct fastening with assembly feet (as of a size of 120 x 122 x 81 Klippon® K 41) | Optional direct fastening with assembly feet (as of a size of 120 x 122 x 81 Klippon® K 41) |
| Cover fastening           | Captive Torx 20/slotted screws made of stainless steel                                      | Captive Torx 20/slotted screws made of stainless steel                                      |
| Impact resistance         | 7J  | 10J   |
| Sealing material          | Silicone (VMQ)  | Chloroprene/silicone (VMQ)  |
| Temperature range         | -50 °C to +135 °C   | -40 °C to +80 °C with chloroprene seal /<br>-50 °C to +135 °C with silicone seal            |
| Torque for cover screws** | 2.5 Nm  | 2.5 Nm  |

### Note

\* (t=72h; h=1m); \*\* For screw fitting of the lids, we recommend the use of our Torx TH20 screwdriver (9009160000) Depending on the screw head size, our slotted screwdrivers can also be used as an alternative.

## Certification for empty enclosure

|                           | Ex  | Standard            |
|---------------------------|---|---------------------|
| ATEX certificate          | KEMA 02ATEX2088 U   |                     |
| ATEX marking              | II 2 G Ex e II IP66/IP67  |                     |
| GOST Ex                   | POCC DE.ME92.B02036   |                     |
| GOST                      |   | POCC DE.ME25.B01450 |
| cULus                     |   | E 197061            |
| Russian Maritime Register | 11040200  | 11040200            |
| German Lloyd              | 4453607 HH  | 4453607 HH          |
| Assembly                  | The enclosure series Klippon® K can be equipped by our custom-designed production for customer requirements, for example, to permit installation of terminals or other approved components. |                     |

### Note

This enclosure series is component-certified. If other electrical components are installed in the enclosure, additional certification is required.

## Certification for control system and distributor housing

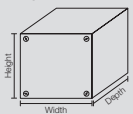
|                  | Ex   |
|------------------|--|
| ATEX certificate | KEMA 00ATEX8501 X  |
| ATEX marking     | II 2 GD Ex e II T6/T3 IP66/IP67<br>II 1 GD Ex ia IIC T6/T3<br>II 2 (1) GD Ex e[ia] IIC T6/T3 T140 °C IP66/IP67 |

### Note

If you have special requirements for operating materials in potentially explosive areas, please contact Weidmüller to obtain a copy of the complete certificate.



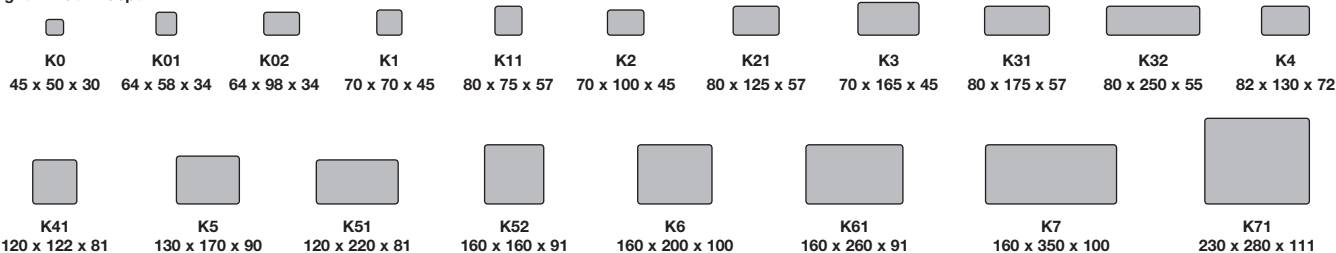
Ordering data – enclosure overview

| Description   | Height x width x depth in mm<br> | Standard                |                        |                 | Ex enclosure          |
|---------------|---|-------------------------|------------------------|-----------------|-----------------------|
|               |   | Powder-coated (RAL7001) |                        | Unpainted       | Unpainted             |
|               |   | CR moulded seal         | Silicone moulded seal* | CR moulded seal | Silicone moulded seal |
| Klippon® K 0  | 45 x 50 x 30  | 9529090000              | 1937920000             | 0573200000      | 9526810000            |
| Klippon® K 01 | 64 x 58 x 34  | 9529100000              | 1937850000             | 1565240000      | 9526820000            |
| Klippon® K 02 | 64 x 98 x 34  | 9529110000              | 1937840000             | 1565250000      | 9526830000            |
| Klippon® K 1  | 70 x 70 x 45  | 9529120000              | 1937630000             | 0342000000      | 9526840000            |
| Klippon® K 11 | 802 x 75 x 57   | 9529130000              | 1937910000             | 0573300000      | 9526850000            |
| Klippon® K 2  | 70 x 100 x 45   | 9529140000              | 1937930000             | 0342100000      | 9526860000            |
| Klippon® K 21 | 80 x 125 x 57   | 9529150000              | 1937830000             | 0573400000      | 9526870000            |
| Klippon® K 3  | 70 x 165 x 45   | 9529160000              | 1937900000             | 0342200000      | 9526880000            |
| Klippon® K 31 | 80 x 175 x 57   | 9529170000              | 1937820000             | 0573500000      | 9526890000            |
| Klippon® K 32 | 80 x 250 x 55   | 9529180000              | 1937810000             | 1565260000      | 9526900000            |
| Klippon® K 4  | 82 x 130 x 72   | 9529190000              | 1937890000             | 0342300000      | 9526910000            |
| Klippon® K 41 | 120 x 122 x 81  | 9529200000              | 1937800000             | 1565270000      | 9526920000            |
| Klippon® K 5  | 130 x 170 x 90  | 9529210000              | 1937860000             | 0342400000      | 9526930000            |
| Klippon® K 51 | 120 x 220 x 81  | 9529220000              | 1937750000             | 1565280000      | 9526940000            |
| Klippon® K 52 | 160 x 160 x 91  | 9529230000              | 1937740000             | 1565290000      | 9526950000            |
| Klippon® K 6  | 160 x 200 x 100   | 9529240000              | 1937870000             | 0342500000      | 9526960000            |
| Klippon® K 61 | 160 x 260 x 91  | 9529250000              | 1937730000             | 0573600000      | 9526970000            |
| Klippon® K 7  | 160 x 350 x 100   | 9529260000              | 1937880000             | 0342600000      | 9526980000            |
| Klippon® K 71 | 230 x 280 x 111   | 9529270000              | 1937720000             | 0573700000      | 9526990000            |

Note  
\*Delivery time on request

Klippon® K – Enclosure sizes

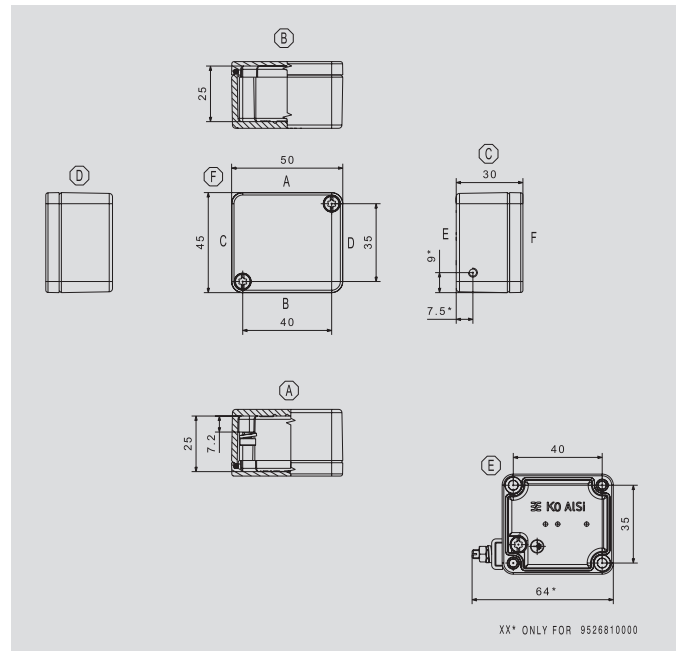
Height x width x depth



Klippon® K 0

Depth 30 mm

Diecast aluminium enclosure



|                    |                 |
|--------------------|-----------------|
| Height/Width/Depth | 45 / 50 / 30 mm |
| Weight             | 65 g            |

Ordering data

| Powder-coated (RAL 7001)     | Order No.                  |
|------------------------------|----------------------------|
| Standard (CR seal)           | 9529090000                 |
| Standard (silicone seal)**   | 1937920000                 |
| Unpainted                    | Order No.                  |
| Standard (CR seal)           | 0573200000                 |
| Ex enclosure (silicone seal) | 9526810000                 |
| <b>Note</b>                  | **Delivery time on request |

Accessories

| Torx screwdriver      | Order No.  |
|-----------------------|------------|
| Uninsulated Torx TH20 | 9009160000 |



| Assembly with terminal | Vertical            | Horizontal |
|------------------------|---------------------|------------|
|                        | 2,5 mm <sup>2</sup> | *          |
|                        | 4 mm <sup>2</sup>   |            |
|                        | 6 mm <sup>2</sup>   |            |
|                        | 10 mm <sup>2</sup>  |            |
|                        | 16 mm <sup>2</sup>  |            |

**Note** \* Please use BK terminals for these enclosures. Also refer to our terminals catalogue.

Number of cable entries

| Number of cable entries | A / B | C / D |
|-------------------------|-------|-------|
|                         | 1     | 1     |
|                         | 1     | 1     |
|                         |       |       |
|                         |       |       |
|                         |       |       |
|                         |       |       |
|                         |       |       |
|                         |       |       |

**Note** \*\* Our IP68 brass cable glands are used as the reference for these guideline values.

Note

Klippon® K 01

Depth 34 mm

Diecast aluminium enclosure



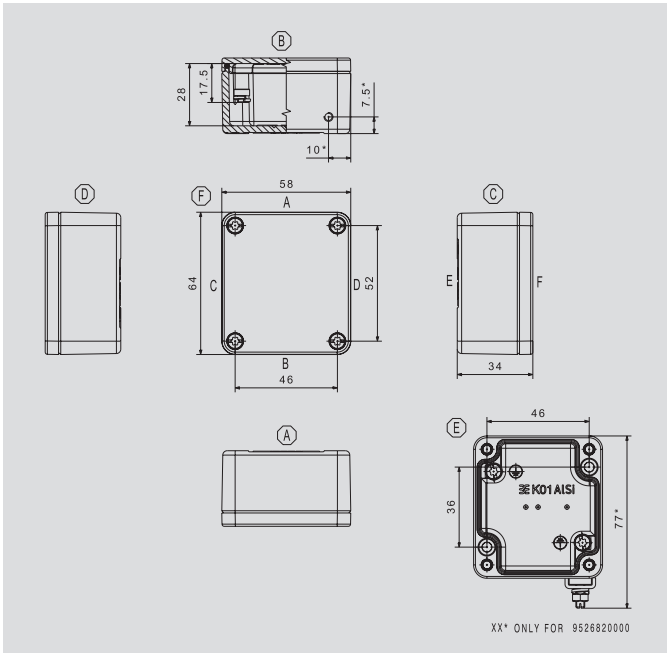
Height/Width/Depth 64 / 58 / 34 mm  
 Weight 120 g



Ordering data

| Powder-coated (RAL 7001)     | Order No.                  |
|------------------------------|----------------------------|
| Standard (CR seal)           | 9529100000                 |
| Standard (silicone seal)**   | 1937850000                 |
| Unpainted                    | Order No.                  |
| Standard (CR seal)           | 1565240000                 |
| Ex enclosure (silicone seal) | 9526820000                 |
| <b>Note</b>                  | **Delivery time on request |

Accessories







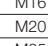

| Torx screwdriver      | Order No.  |
|-----------------------|------------|
| Uninsulated Torx TH20 | 9009160000 |



| Assembly with terminal  | Vertical            | Horizontal |
|---|---------------------|------------|
|  | 2,5 mm <sup>2</sup> | *          |
|  | 4 mm <sup>2</sup>   |            |
|   | 6 mm <sup>2</sup>   |            |
|   | 10 mm <sup>2</sup>  |            |
|   | 16 mm <sup>2</sup>  |            |

**Note** \* Please use BK terminals for these enclosures. Also refer to our terminals catalogue.

Number of cable entries

| Number of cable entries   | A / B | C / D |
|---|-------|-------|
|    | 1     | 1     |
|    | 1     | 1     |
|    |       |       |
|   |       |       |
|  |       |       |
|  |       |       |
|  |       |       |
|  |       |       |

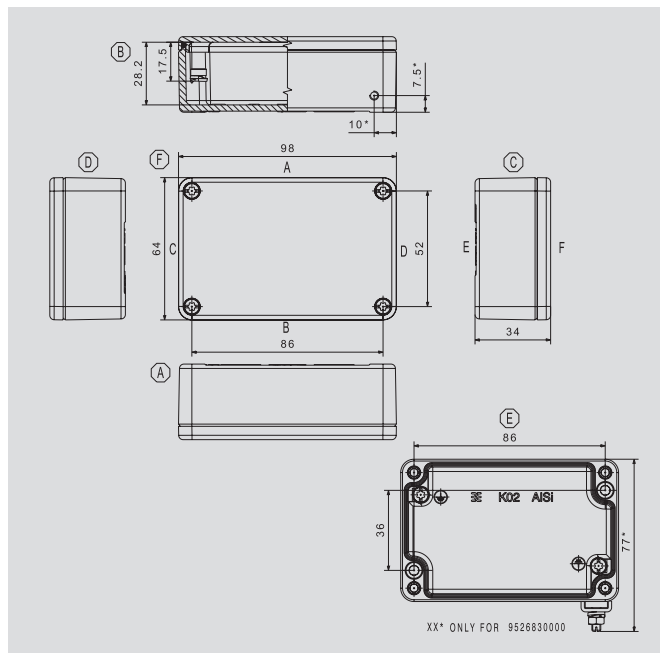
**Note** \*\* Our IP68 brass cable glands are used as the reference for these guideline values.

**Note**

Klippon® K 02

Depth 34 mm

Diecast aluminium enclosure



|                    |                 |
|--------------------|-----------------|
| Height/Width/Depth | 64 / 98 / 34 mm |
| Weight             | 200 g           |

Ordering data

| Powder-coated (RAL 7001)     | Order No.                  |
|------------------------------|----------------------------|
| Standard (CR seal)           | 9529110000                 |
| Standard (silicone seal)**   | 1937840000                 |
| Unpainted                    | Order No.                  |
| Standard (CR seal)           | 1565250000                 |
| Ex enclosure (silicone seal) | 9526830000                 |
| <b>Note</b>                  | **Delivery time on request |

Accessories

| Torx screwdriver      | Order No.  |
|-----------------------|------------|
| Uninsulated Torx TH20 | 9009160000 |



| Assembly with terminal | Vertical            | Horizontal |
|------------------------|---------------------|------------|
|                        | 2,5 mm <sup>2</sup> | *          |
|                        | 4 mm <sup>2</sup>   |            |
|                        | 6 mm <sup>2</sup>   |            |
|                        | 10 mm <sup>2</sup>  |            |
|                        | 16 mm <sup>2</sup>  |            |

**Note** \* Please use BK terminals for these enclosures. Also refer to our terminals catalogue.

Number of cable entries

| Number of cable entries | A / B | C / D |
|-------------------------|-------|-------|
| M12                     | 1     | 3     |
| M16                     | 1     | 3     |
| M20                     |       |       |
| M25                     |       |       |
| M32                     |       |       |
| M40                     |       |       |
| M50                     |       |       |
| M63                     |       |       |

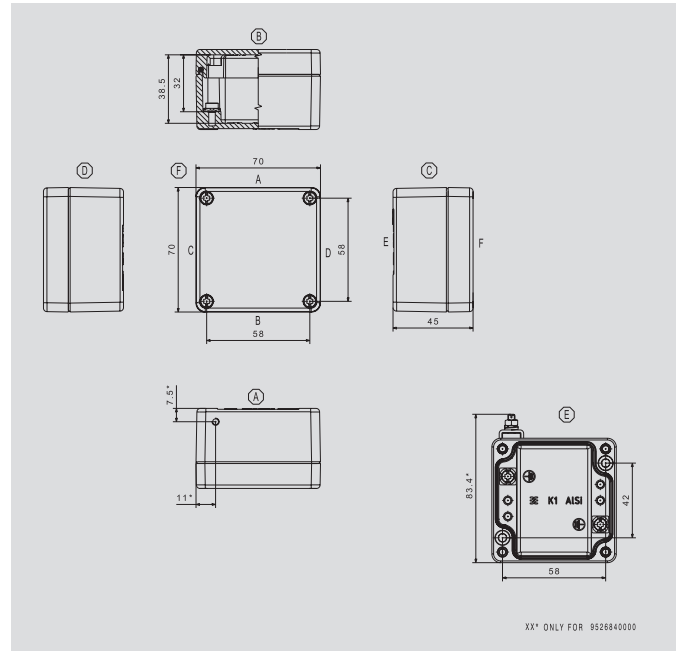
**Note** \*\* Our IP68 brass cable glands are used as the reference for these guideline values.

Note

**Klippon® K 1**

Depth **45 mm**

**Diecast aluminium enclosure**



|                    |                 |
|--------------------|-----------------|
| Height/Width/Depth | 70 / 70 / 45 mm |
| Weight             | 220 g           |

**Ordering data**

| Powder-coated (RAL 7001)     | Order No.                  |
|------------------------------|----------------------------|
| Standard (CR seal)           | <b>9529120000</b>          |
| Standard (silicone seal)**   | <b>1937630000</b>          |
| Unpainted                    | Order No.                  |
| Standard (CR seal)           | <b>0342000000</b>          |
| Ex enclosure (silicone seal) | <b>9526840000</b>          |
| <b>Note</b>                  | **Delivery time on request |

**Accessories**

| Terminal rail, Set      | Order No.         |
|-------------------------|-------------------|
| 15 mm width             | <b>1909980000</b> |
| Mounting plate          | Order No.         |
| Steel sheet, galvanised | <b>1905280000</b> |
| Torx screwdriver        | Order No.         |
| Uninsulated Torx TH20   | <b>9009160000</b> |

**Note** Sets also contain any required fastening accessories.

| Assembly with terminal | Vertical            | Horizontal |
|------------------------|---------------------|------------|
|                        | 2,5 mm <sup>2</sup> | *          |
|                        | 4 mm <sup>2</sup>   |            |
|                        | 6 mm <sup>2</sup>   |            |
|                        | 10 mm <sup>2</sup>  |            |
|                        | 16 mm <sup>2</sup>  |            |

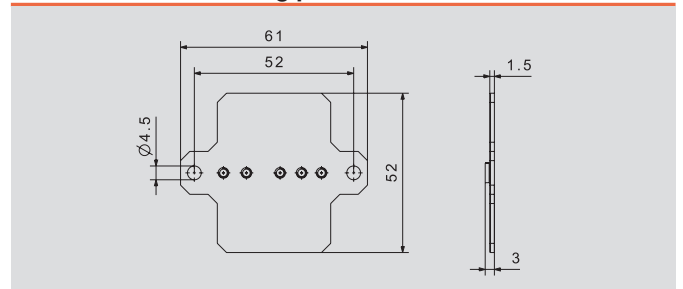
**Note** \* Please use AKZ or BK terminals for these enclosures. Also refer to our terminals catalogue.

**Number of cable entries**

| Number of cable entries | A / B | C / D |
|-------------------------|-------|-------|
| M12                     | 2     | 1     |
| M16                     | 2     | 1     |
| M20                     | 1     |       |
| M25                     |       |       |
| M32                     |       |       |
| M40                     |       |       |
| M50                     |       |       |
| M63                     |       |       |

**Note** \*\* Our IP68 brass cable glands are used as the reference for these guideline values.

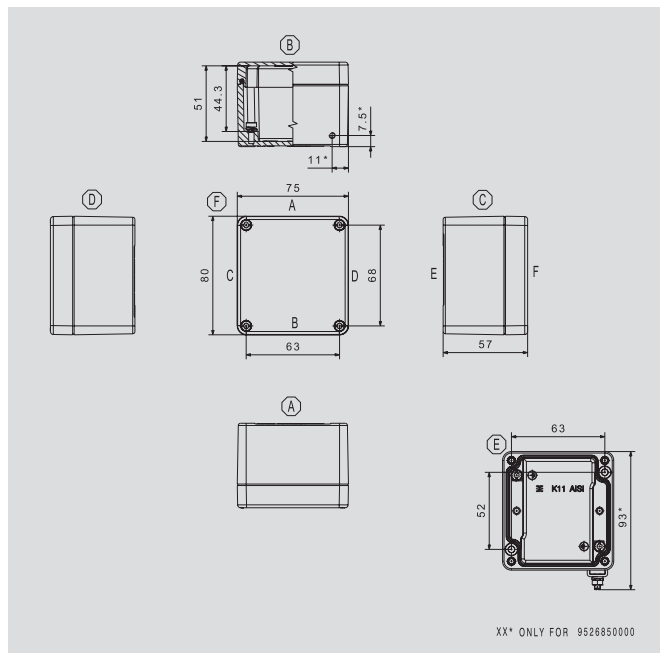
**Dimensions of mounting plate**



Klippon® K 11

Depth **57 mm**

Diecast aluminium enclosure



|                    |                 |
|--------------------|-----------------|
| Height/Width/Depth | 80 / 75 / 57 mm |
| Weight             | 280 g           |

Ordering data

| Powder-coated (RAL 7001)     | Order No.                  |
|------------------------------|----------------------------|
| Standard (CR seal)           | 9529130000                 |
| Standard (silicone seal)**   | 1937910000                 |
| Unpainted                    | Order No.                  |
| Standard (CR seal)           | 0573300000                 |
| Ex enclosure (silicone seal) | 9526850000                 |
| <b>Note</b>                  | **Delivery time on request |

Accessories

| Terminal rail, Set            | Order No.  |
|-------------------------------|------------|
| 15 mm width                   | 1909990000 |
| Mounting plate                | Order No.  |
| Steel sheet, galvanised       | 3073000000 |
| Hinge, diecast aluminium, Set | Order No.  |
|                               | 1580360000 |
| Torx screwdriver              | Order No.  |
| Uninsulated Torx TH20         | 9009160000 |

**Note** Sets also contain any required fastening accessories. 1 hinge on each longitudinal side

| Assembly with terminal | Vertical            | Horizontal |
|------------------------|---------------------|------------|
|                        | 2,5 mm <sup>2</sup> | 1x5        |
|                        | 4 mm <sup>2</sup>   | 1x4        |
|                        | 6 mm <sup>2</sup>   |            |
|                        | 10 mm <sup>2</sup>  |            |
|                        | 16 mm <sup>2</sup>  |            |

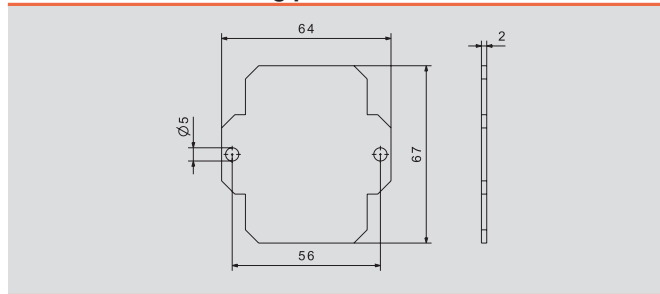
**Note** \* Please use AKZ or BK terminals for these enclosures. Also refer to our terminals catalogue.

Number of cable entries

| Number of cable entries | A / B | C / D |
|-------------------------|-------|-------|
| M12                     | 2     | 2     |
| M16                     | 2     | 2     |
| M20                     | 1     | 1     |
| M25                     | 1     |       |
| M32                     |       |       |
| M40                     |       |       |
| M50                     |       |       |
| M63                     |       |       |

**Note** \*\* Our IP68 brass cable glands are used as the reference for these guideline values.

Dimensions of mounting plate

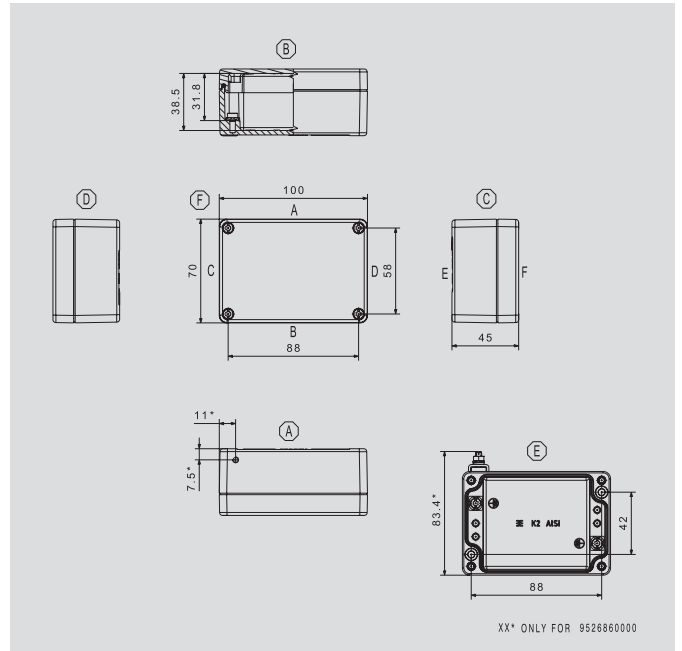




**Klippon® K 2**

Depth **45 mm**

**Diecast aluminium enclosure**






|                    |                  |
|--------------------|------------------|
| Height/Width/Depth | 70 / 100 / 45 mm |
| Weight             | 280 g            |


**Ordering data**

| Powder-coated (RAL 7001)     | Order No.                  |
|------------------------------|----------------------------|
| Standard (CR seal)           | <b>9529140000</b>          |
| Standard (silicone seal)**   | <b>1937930000</b>          |
| Unpainted                    | Order No.                  |
| Standard (CR seal)           | <b>0342100000</b>          |
| Ex enclosure (silicone seal) | <b>9526860000</b>          |
| <b>Note</b>                  | **Delivery time on request |

**Accessories**


| Terminal rail, Set  | Order No.         |
|---|-------------------|
|  15 mm width             | <b>1910010000</b> |
| Mounting plate  | Order No.         |
|  Steel sheet, galvanised | <b>1905270000</b> |
| Torx screwdriver  | Order No.         |
|  Uninsulated Torx TH20   | <b>9009160000</b> |

**Note** Sets also contain any required fastening accessories.

| Assembly with terminal  | Vertical            | Horizontal |
|---|---------------------|------------|
|  | 2,5 mm <sup>2</sup> | 1x10       |
|   | 4 mm <sup>2</sup>   |            |
|   | 6 mm <sup>2</sup>   |            |
|   | 10 mm <sup>2</sup>  |            |
|   | 16 mm <sup>2</sup>  |            |

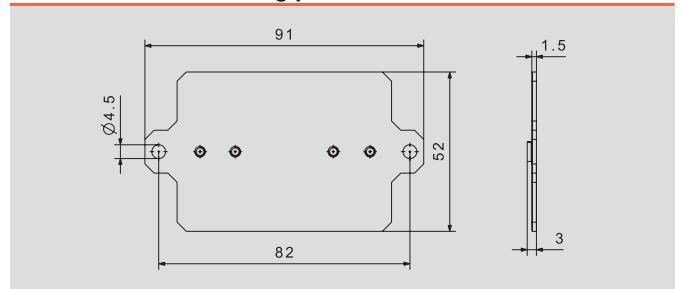
**Note** \* Please use AKZ or BK terminals for these enclosures. Also refer to our terminals catalogue.

**Number of cable entries**

| Number of cable entries  | A / B | C / D |
|--|-------|-------|
|  M12 | 3     | 1     |
| M16  | 3     | 1     |
| M20  | 2     |       |
| M25  |       |       |
| M32  |       |       |
| M40  |       |       |
| M50  |       |       |
| M63  |       |       |

**Note** \*\* Our IP68 brass cable glands are used as the reference for these guideline values.

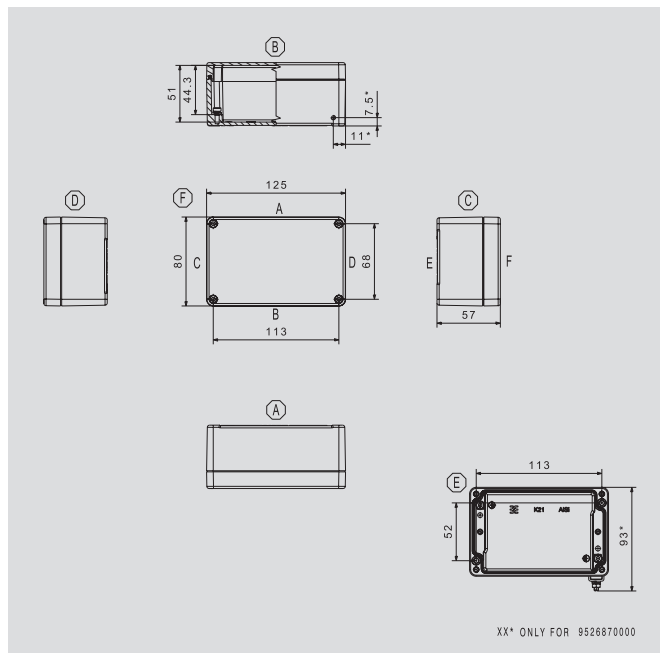
**Dimensions of mounting plate**



Klippon® K 21

Depth 57 mm

Diecast aluminium enclosure



|                    |                  |
|--------------------|------------------|
| Height/Width/Depth | 80 / 125 / 57 mm |
| Weight             | 400 g            |

Ordering data

| Powder-coated (RAL 7001)     | Order No.                  |
|------------------------------|----------------------------|
| Standard (CR seal)           | 9529150000                 |
| Standard (silicone seal)**   | 1937830000                 |
| Unpainted                    | Order No.                  |
| Standard (CR seal)           | 0573400000                 |
| Ex enclosure (silicone seal) | 9526870000                 |
| <b>Note</b>                  | **Delivery time on request |

Accessories

| Terminal rail, Set            | Order No.  |
|-------------------------------|------------|
| 15 mm width                   | 1910020000 |
| Mounting plate                | Order No.  |
| Steel sheet, galvanised       | 3073020000 |
| Hinge, diecast aluminium, Set | Order No.  |
|                               | 1580360000 |
| Torx screwdriver              | Order No.  |
| Uninsulated Torx TH20         | 9009160000 |

**Note** Sets also contain any required fastening accessories. 1 hinge on each longitudinal side

| Assembly with terminal | Vertical            | Horizontal |
|------------------------|---------------------|------------|
|                        | 2,5 mm <sup>2</sup> | 1x15       |
|                        | 4 mm <sup>2</sup>   | 1x12       |
|                        | 6 mm <sup>2</sup>   |            |
|                        | 10 mm <sup>2</sup>  |            |
|                        | 16 mm <sup>2</sup>  |            |



**Note** \* Please use AKZ or BK terminals for these enclosures. Also refer to our terminals catalogue.

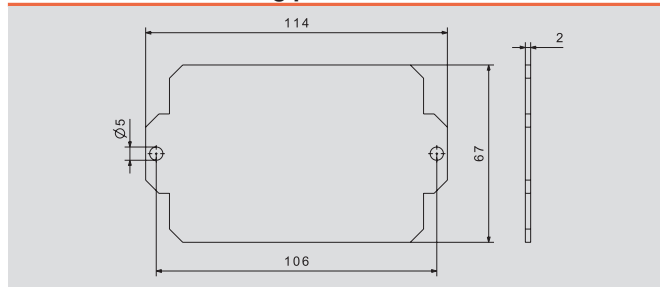
Number of cable entries

| Number of cable entries | A / B | C / D |
|-------------------------|-------|-------|
| M12                     | 6     | 2     |
| M16                     | 4     | 2     |
| M20                     | 3     | 1     |
| M25                     | 2     |       |
| M32                     |       |       |
| M40                     |       |       |
| M50                     |       |       |
| M63                     |       |       |



**Note** \*\* Our IP68 brass cable glands are used as the reference for these guideline values.

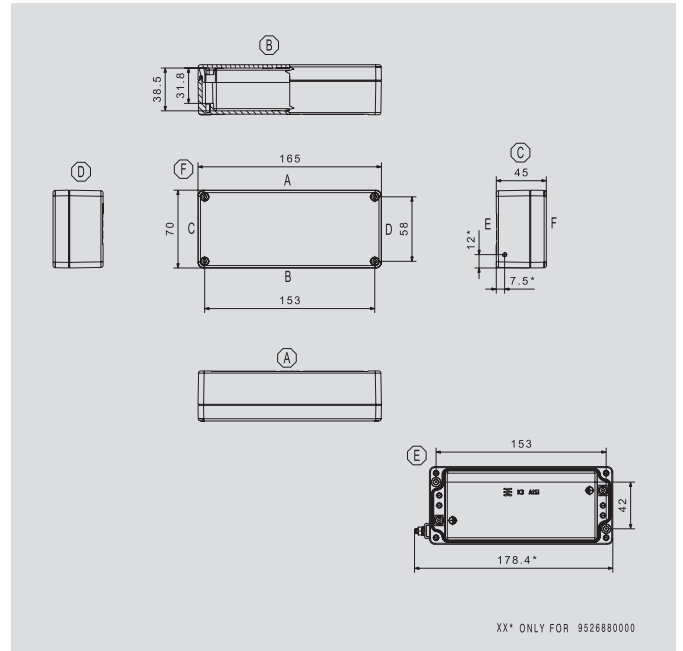
Dimensions of mounting plate



**Klippon® K 3**

Depth **45 mm**

**Diecast aluminium enclosure**



|                    |                  |
|--------------------|------------------|
| Height/Width/Depth | 70 / 165 / 45 mm |
| Weight             | 400 g            |

**Ordering data**

| Powder-coated (RAL 7001)     | Order No.                  |
|------------------------------|----------------------------|
| Standard (CR seal)           | <b>9529160000</b>          |
| Standard (silicone seal)**   | <b>1937900000</b>          |
| Unpainted                    | Order No.                  |
| Standard (CR seal)           | <b>0342200000</b>          |
| Ex enclosure (silicone seal) | <b>9526880000</b>          |
| <b>Note</b>                  | **Delivery time on request |

**Accessories**

| Terminal rail, Set      | Order No.         |
|-------------------------|-------------------|
| 15 mm width             | <b>1910030000</b> |
| Mounting plate          | Order No.         |
| Steel sheet, galvanised | <b>1898210000</b> |
| More tightly drawn      | <b>1899630000</b> |
| Torx screwdriver        | Order No.         |
| Uninsulated Torx TH20   | <b>9009160000</b> |

**Note** Sets also contain any required fastening accessories.

| Assembly with terminal | Vertical            | Horizontal |
|------------------------|---------------------|------------|
|                        | 2,5 mm <sup>2</sup> | * 1x22     |
|                        | 4 mm <sup>2</sup>   |            |
|                        | 6 mm <sup>2</sup>   |            |
|                        | 10 mm <sup>2</sup>  |            |
|                        | 16 mm <sup>2</sup>  |            |



**Note** \* Please use AKZ or BK terminals for these enclosures. Also refer to our terminals catalogue.

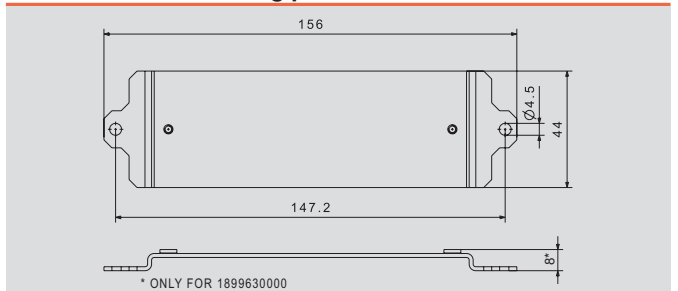
**Number of cable entries**

| Number of cable entries | A / B | C / D |
|-------------------------|-------|-------|
| M12                     | 6     |       |
| M16                     | 5     |       |
| M20                     | 4     |       |
| M25                     |       |       |
| M32                     |       |       |
| M40                     |       |       |
| M50                     |       |       |
| M63                     |       |       |



**Note** \*\* Our IP68 brass cable glands are used as the reference for these guideline values.

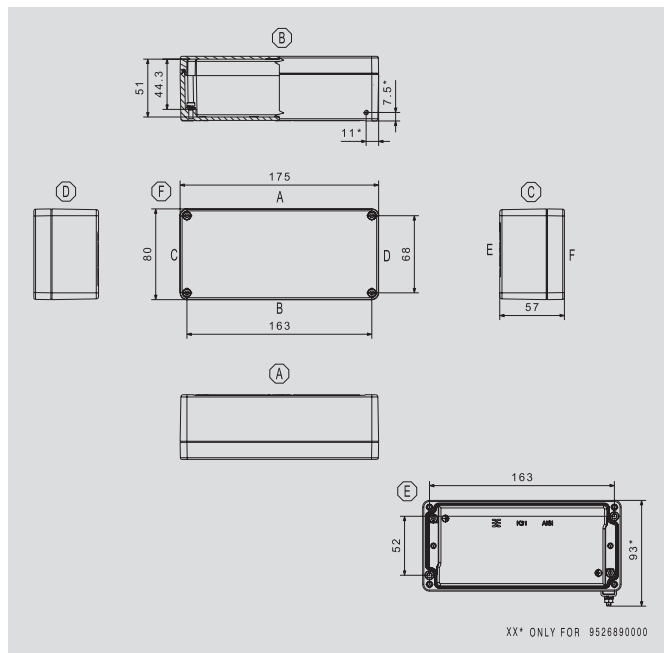
**Dimensions of mounting plate**



Klippon® K 31

Depth 57 mm

Diecast aluminium enclosure



|                    |                  |
|--------------------|------------------|
| Height/Width/Depth | 80 / 175 / 57 mm |
| Weight             | 520 g            |

Ordering data

| Powder-coated (RAL 7001)     | Order No.                  |
|------------------------------|----------------------------|
| Standard (CR seal)           | 9529170000                 |
| Standard (silicone seal)**   | 1937820000                 |
| Unpainted                    | Order No.                  |
| Standard (CR seal)           | 0573500000                 |
| Ex enclosure (silicone seal) | 9526890000                 |
| <b>Note</b>                  | **Delivery time on request |

Accessories

| Terminal rail, Set            | Order No.  |
|-------------------------------|------------|
| 35 mm width                   | 1910040000 |
| Mounting plate                | Order No.  |
| Steel sheet, galvanised       | 3073040000 |
| Hinge, diecast aluminium, Set | Order No.  |
|                               | 1580360000 |
| Torx screwdriver              | Order No.  |
| Uninsulated Torx TH20         | 9009160000 |

**Note** Sets also contain any required fastening accessories. 1 hinge on each longitudinal side

| Assembly with terminal | Vertical            | Horizontal |
|------------------------|---------------------|------------|
|                        | 2,5 mm <sup>2</sup> | 1x23       |
|                        | 4 mm <sup>2</sup>   | 1x19       |
|                        | 6 mm <sup>2</sup>   |            |
|                        | 10 mm <sup>2</sup>  |            |
|                        | 16 mm <sup>2</sup>  |            |



**Note** \* Please use AKZ or BK terminals for these enclosures. Also refer to our terminals catalogue.

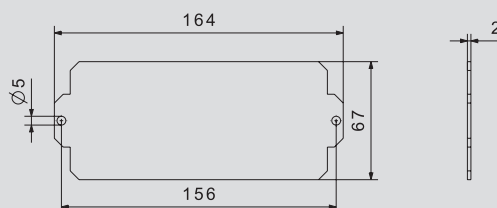
Number of cable entries

| Number of cable entries | A / B | C / D |
|-------------------------|-------|-------|
| M12                     | 9     | 2     |
| M16                     | 6     | 2     |
| M20                     | 4     | 1     |
| M25                     | 3     |       |
| M32                     |       |       |
| M40                     |       |       |
| M50                     |       |       |
| M63                     |       |       |



**Note** \*\* Our IP68 brass cable glands are used as the reference for these guideline values.

Dimensions of mounting plate



Klippon® K 32

Depth 55 mm

Diecast aluminium enclosure



Height/Width/Depth 80 / 250 / 55 mm  
Weight 710 g

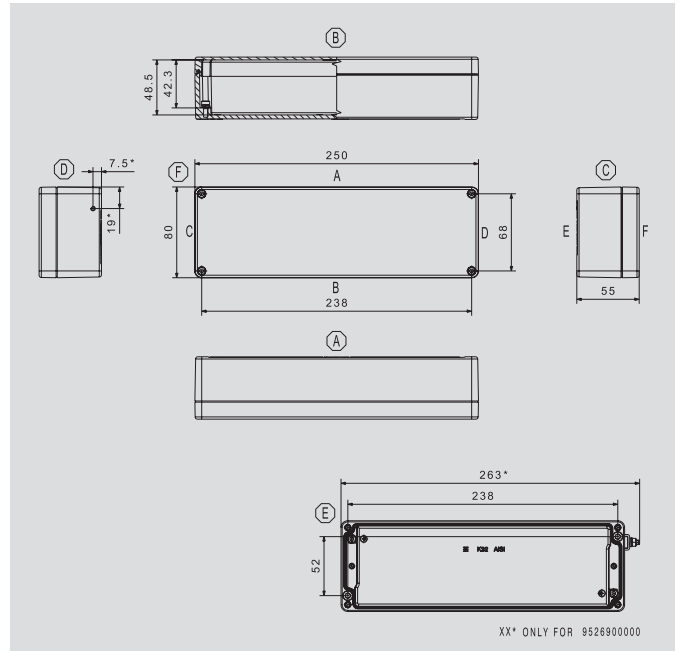
Ordering data


| Powder-coated (RAL 7001)     | Order No.                  |
|------------------------------|----------------------------|
| Standard (CR seal)           | 9529180000                 |
| Standard (silicone seal)**   | 1937810000                 |
| Unpainted                    | Order No.                  |
| Standard (CR seal)           | 1565260000                 |
| Ex enclosure (silicone seal) | 9526900000                 |
| <b>Note</b>                  | **Delivery time on request |

Accessories

| Terminal rail, Set      | Order No.  |
|-------------------------|------------|
| 35 mm width             | 1910050000 |
| Mounting plate          | Order No.  |
| Steel sheet, galvanised | 3073050000 |
| Torx screwdriver        | Order No.  |
| Uninsulated Torx TH20   | 9009160000 |

**Note** Sets also contain any required fastening accessories



| Assembly with terminal  | Vertical            | Horizontal |
|---|---------------------|------------|
|  | 2,5 mm <sup>2</sup> | 1x38       |
|   | 4 mm <sup>2</sup>   | 1x32       |
|   | 6 mm <sup>2</sup>   |            |
|   | 10 mm <sup>2</sup>  |            |
|   | 16 mm <sup>2</sup>  |            |

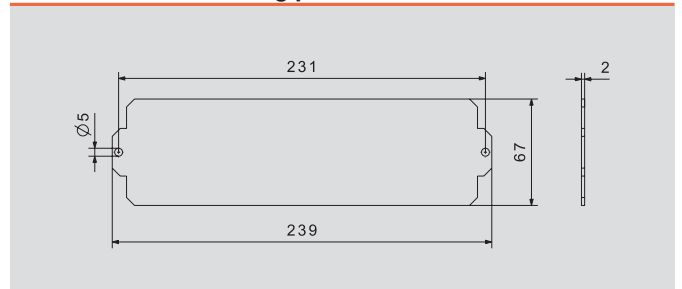
**Note** \* Please use AKZ or BK terminals for these enclosures. Also refer to our terminals catalogue.

Number of cable entries

| Number of cable entries | A / B | C / D |
|-------------------------|-------|-------|
| M12                     | 15    | 2     |
| M16                     | 9     | 2     |
| M20                     | 7     | 1     |
| M25                     | 6     |       |
| M32                     |       |       |
| M40                     |       |       |
| M50                     |       |       |
| M63                     |       |       |

**Note** \*\* Our IP68 brass cable glands are used as the reference for these guideline values.

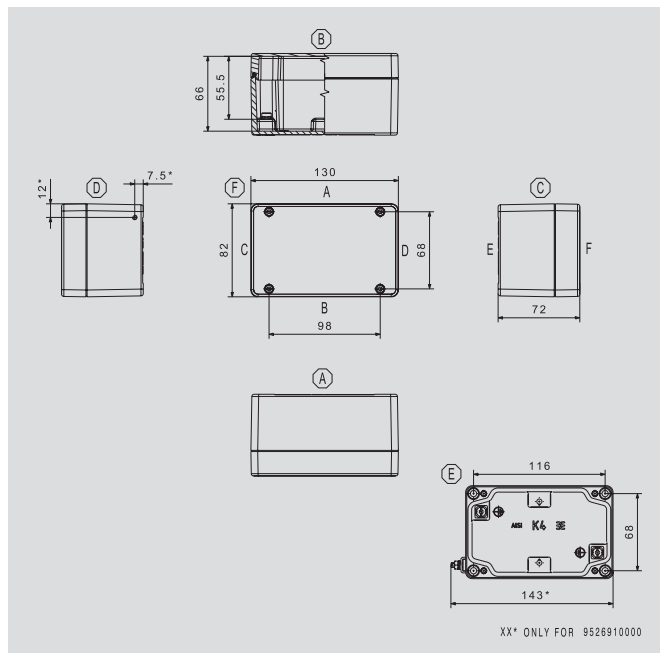
Dimensions of mounting plate



Klippon® K 4

Depth 72 mm

Diecast aluminium enclosure



|                    |                  |
|--------------------|------------------|
| Height/Width/Depth | 82 / 130 / 72 mm |
| Weight             | 620 g            |

Ordering data

| Powder-coated (RAL 7001)     | Order No.                  |
|------------------------------|----------------------------|
| Standard (CR seal)           | 9529190000                 |
| Standard (silicone seal)**   | 1937890000                 |
| Unpainted                    | Order No.                  |
| Standard (CR seal)           | 0342300000                 |
| Ex enclosure (silicone seal) | 9526910000                 |
| <b>Note</b>                  | **Delivery time on request |

Accessories

| Terminal rail, Set            | Order No.  |
|-------------------------------|------------|
| 35 mm width                   | 1910060000 |
| Mounting plate                | Order No.  |
| Steel sheet, galvanised       | 3073060000 |
| Hinge, diecast aluminium, Set | Order No.  |
|                               | 1580360000 |
| Torx screwdriver              | Order No.  |
| Uninsulated Torx TH20         | 9009160000 |

**Note** Sets also contain any required fastening accessories. 1 hinge on each longitudinal side

| Assembly with terminal | Vertical            | Horizontal |
|------------------------|---------------------|------------|
|                        | 2,5 mm <sup>2</sup> | 1x5        |
|                        | 4 mm <sup>2</sup>   | 1x4        |
|                        | 6 mm <sup>2</sup>   | 1x3        |
|                        | 10 mm <sup>2</sup>  | 1x2        |
|                        | 16 mm <sup>2</sup>  |            |



**Note** Terminal rails should be fitted directly. The assembly with modular terminals includes a 10 mm space at each end of the terminal rail. Recommendation: TS 35 DIN Rail (screw clamp terminal) WDU 2.5 1020000000 / (tension clamp terminal) ZDU 2.5 1608510000

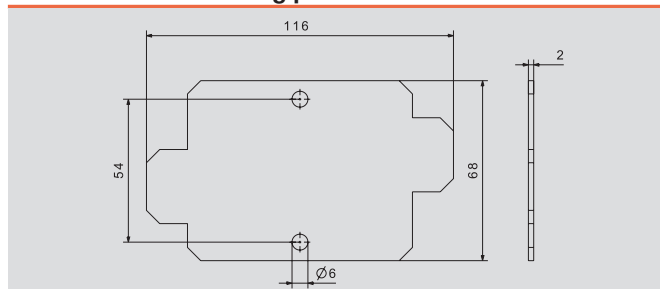
Number of cable entries

| Number of cable entries | A / B | C / D |
|-------------------------|-------|-------|
| M12                     | 2     | 5     |
| M16                     | 2     | 3     |
| M20                     | 1     | 2     |
| M25                     | 1     | 2     |
| M32                     | 1     |       |
| M40                     |       |       |
| M50                     |       |       |
| M63                     |       |       |



**Note** \*\* Our IP68 brass cable glands are used as the reference for these guideline values.

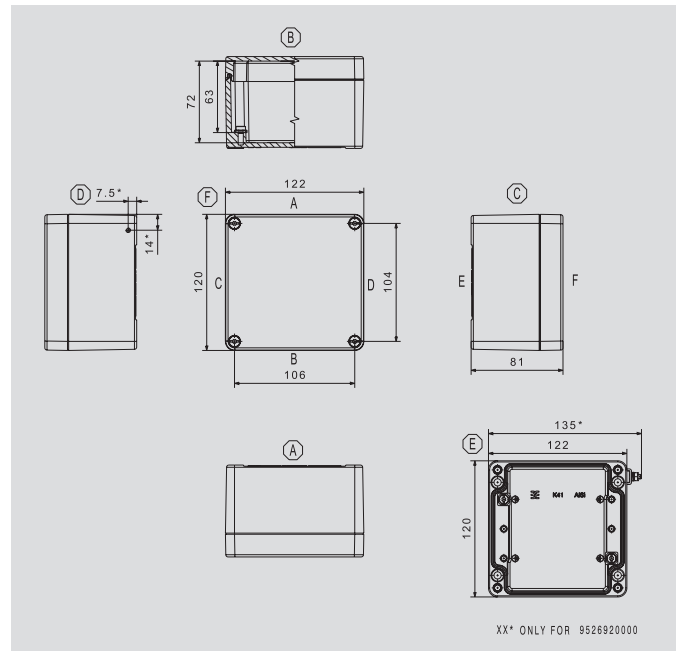
Dimensions of mounting plate



Klippon® K 41

Depth 81 mm

Diecast aluminium enclosure



|                    |                   |
|--------------------|-------------------|
| Height/Width/Depth | 120 / 122 / 81 mm |
| Weight             | 840 g             |

Ordering data

| Powder-coated (RAL 7001)     | Order No.                  |
|------------------------------|----------------------------|
| Standard (CR seal)           | 9529200000                 |
| Standard (silicone seal)**   | 1937800000                 |
| Unpainted                    | Order No.                  |
| Standard (CR seal)           | 1565270000                 |
| Ex enclosure (silicone seal) | 9526920000                 |
| <b>Note</b>                  | **Delivery time on request |

Accessories

| Terminal rail, Set            | Order No.  |
|-------------------------------|------------|
| 35 mm width                   | 1910070000 |
| Earth bar, Set                | Order No.  |
|                               | 9511200000 |
| Mounting plate                | Order No.  |
| Steel sheet, galvanised       | 3073070000 |
| Hinge, diecast aluminium, Set | Order No.  |
|                               | 1580360000 |
| Wall-mounted holder, Set of 4 | Order No.  |
|                               | 9527590000 |
| Torx screwdriver              | Order No.  |
| Uninsulated Torx TH20         | 9009160000 |

**Note** Sets also contain any required fastening accessories. 1 hinge on each longitudinal side

| Assembly with terminal | Vertical            | Horizontal |
|------------------------|---------------------|------------|
|                        | 2,5 mm <sup>2</sup> | 1x13       |
|                        | 4 mm <sup>2</sup>   | 1x11       |
|                        | 6 mm <sup>2</sup>   | 1x8        |
|                        | 10 mm <sup>2</sup>  | 1x6        |
|                        | 16 mm <sup>2</sup>  |            |

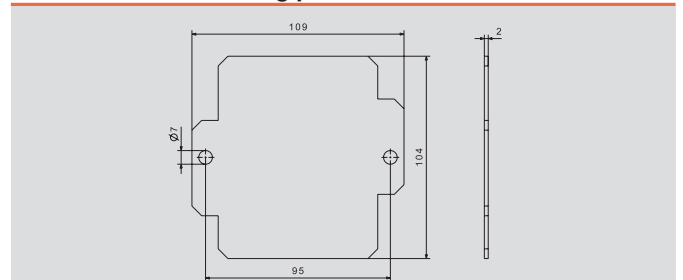
**Note** \* Please use AKZ or BK terminals for these enclosures. Also refer to our terminals catalogue.

Number of cable entries

| Number of cable entries | A / B | C / D |
|-------------------------|-------|-------|
| M12                     | 6     | 4     |
| M16                     | 6     | 4     |
| M20                     | 3     | 2     |
| M25                     | 2     | 1     |
| M32                     | 1     | 1     |
| M40                     |       |       |
| M50                     |       |       |
| M63                     |       |       |

**Note** \*\* Our IP68 brass cable glands are used as the reference for these guideline values.

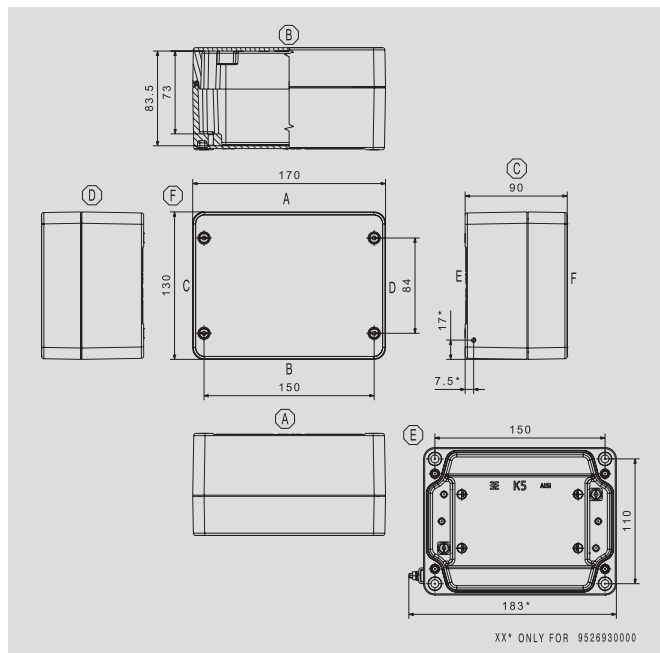
Dimensions of mounting plate



Klippon® K 5

Depth 90 mm

Diecast aluminium enclosure



|                    |                   |
|--------------------|-------------------|
| Height/Width/Depth | 130 / 170 / 90 mm |
| Weight             | 1540 g            |

Ordering data

| Powder-coated (RAL 7001)     | Order No.                  |
|------------------------------|----------------------------|
| Standard (CR seal)           | 9529210000                 |
| Standard (silicone seal)**   | 1937860000                 |
| Unpainted                    | Order No.                  |
| Standard (CR seal)           | 0342400000                 |
| Ex enclosure (silicone seal) | 9526930000                 |
| <b>Note</b>                  | **Delivery time on request |

Accessories

| Terminal rail, Set            | Order No.  |
|-------------------------------|------------|
| 35 mm width                   | 1910080000 |
| Earth bar, Set                | Order No.  |
|                               | 9511220000 |
| Mounting plate                | Order No.  |
| Steel sheet, galvanised       | 3073080000 |
| Hinge, diecast aluminium, Set | Order No.  |
|                               | 1580360000 |
| Wall-mounted holder, Set of 4 | Order No.  |
|                               | 9529080000 |
| Torx screwdriver              | Order No.  |
| Uninsulated Torx TH20         | 9009160000 |

**Note** Sets also contain any required fastening accessories. 1 hinge on each longitudinal side

| Assembly with terminal | Vertical            | Horizontal |
|------------------------|---------------------|------------|
|                        | 2,5 mm <sup>2</sup> | 1x20       |
|                        | 4 mm <sup>2</sup>   | 1x16       |
|                        | 6 mm <sup>2</sup>   | 1x12       |
|                        | 10 mm <sup>2</sup>  | 1x10       |
|                        | 16 mm <sup>2</sup>  | 1x8        |



**Note** Terminal rails should be fitted directly. The assembly with modular terminals includes a 10 mm space at each end of the terminal rail.  
Recommendation: TS 35 DIN Rail (screw clamp terminal) WDU 2.5 1020000000 / (tension clamp terminal) ZDU 2.5 1608510000

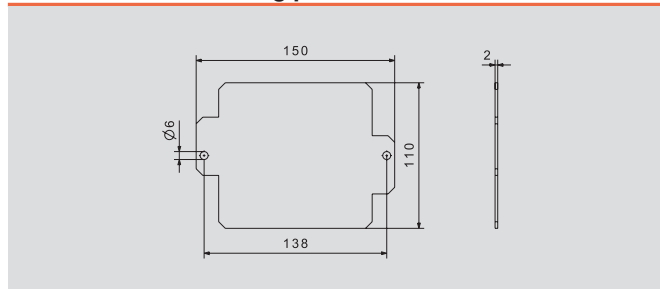
Number of cable entries

| Number of cable entries | A / B | C / D |
|-------------------------|-------|-------|
| M12                     | 11    | 4     |
| M16                     | 8     | 2     |
| M20                     | 4     | 1     |
| M25                     | 3     | 1     |
| M32                     | 2     | 1     |
| M40                     |       |       |
| M50                     |       |       |
| M63                     |       |       |



**Note** \*\* Our IP68 brass cable glands are used as the reference for these guideline values.

Dimensions of mounting plate

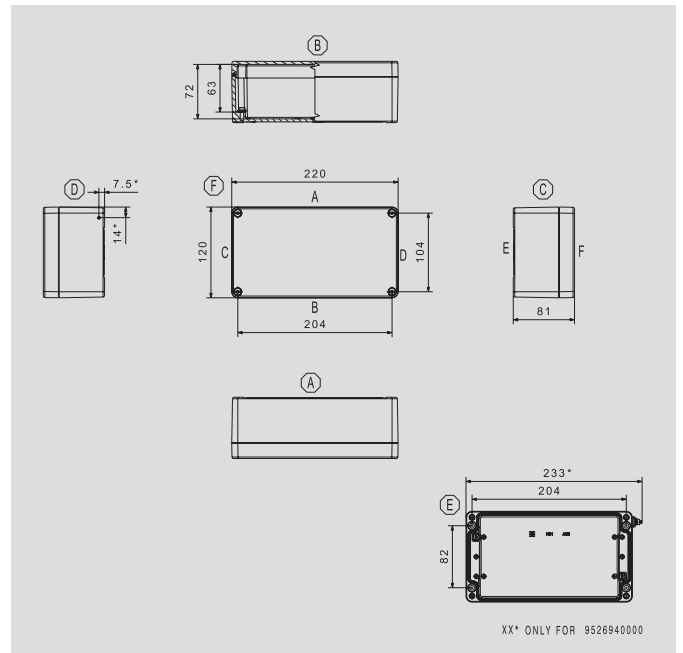




Klippon® K 51

Depth 81 mm

Diecast aluminium enclosure



|                    |                   |
|--------------------|-------------------|
| Height/Width/Depth | 130 / 170 / 90 mm |
| Weight             | 1540 g            |

Ordering data

| Powder-coated (RAL 7001)     | Order No.                  |
|------------------------------|----------------------------|
| Standard (CR seal)           | 9529220000                 |
| Standard (silicone seal)**   | 1937750000                 |
| Unpainted                    | Order No.                  |
| Standard (CR seal)           | 1565280000                 |
| Ex enclosure (silicone seal) | 9526940000                 |
| <b>Note</b>                  | **Delivery time on request |

Accessories

| Terminal rail, Set            | Order No.  |
|-------------------------------|------------|
| 35 mm width                   | 1910090000 |
| Earth bar, Set                | Order No.  |
|                               | 9511210000 |
| Mounting plate                | Order No.  |
| Steel sheet, galvanised       | 3073090000 |
| Hinge, diecast aluminium, Set | Order No.  |
|                               | 1580360000 |
| Wall-mounted holder, Set of 4 | Order No.  |
|                               | 9527590000 |
| Torx screwdriver              | Order No.  |
| Uninsulated Torx TH20         | 9009160000 |

**Note** Sets also contain any required fastening accessories. 2 hinges on each longitudinal side

| Assembly with terminal | Vertical            | Horizontal |
|------------------------|---------------------|------------|
|                        | 2,5 mm <sup>2</sup> | 1x31       |
|                        | 4 mm <sup>2</sup>   | 1x26       |
|                        | 6 mm <sup>2</sup>   | 1x19       |
|                        | 10 mm <sup>2</sup>  | 1x15       |
|                        | 16 mm <sup>2</sup>  |            |



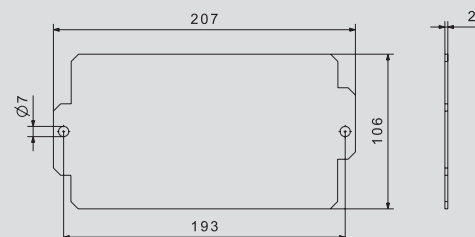
**Note** Terminal rails should be fitted directly. The assembly with modular terminals includes a 10 mm space at each end of the terminal rail. Recommendation: TS 35 DIN Rail (screw clamp terminal) WDU 2.5 1020000000 / (tension clamp terminal) ZDU 2.5 1608510000

Number of cable entries

| Number of cable entries | A / B | C / D |
|-------------------------|-------|-------|
| M12                     | 23    | 6     |
| M16                     | 14    | 3     |
| M20                     | 8     | 2     |
| M25                     | 5     | 1     |
| M32                     | 3     | 1     |
| M40                     | 3     |       |
| M50                     |       |       |
| M63                     |       |       |

**Note** \*\* Our IP68 brass cable glands are used as the reference for these guideline values.

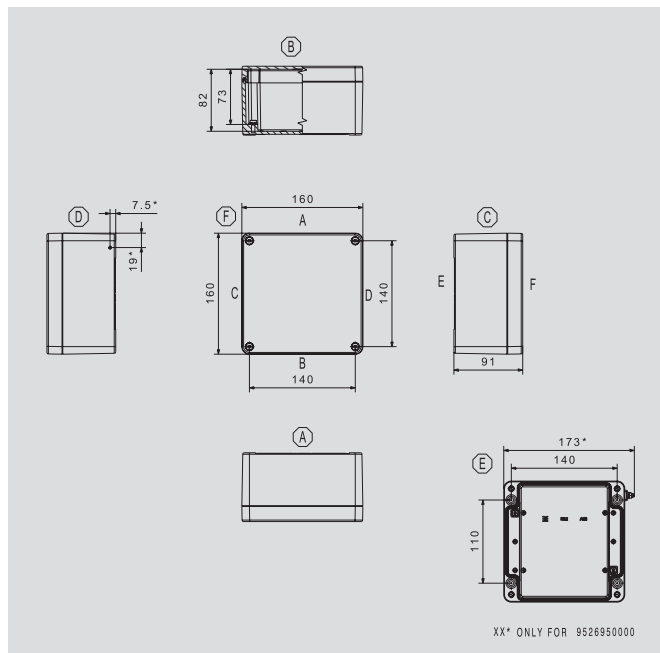
Dimensions of mounting plate



Klippon® K 52

Depth 91 mm

Diecast aluminium enclosure



Height/Width/Depth 160 / 160 / 91 mm  
 Weight 1480 g

Ordering data

| Powder-coated (RAL 7001)     | Order No.                  |
|------------------------------|----------------------------|
| Standard (CR seal)           | 9529230000                 |
| Standard (silicone seal)**   | 1937740000                 |
| Unpainted                    | Order No.                  |
| Standard (CR seal)           | 1565290000                 |
| Ex enclosure (silicone seal) | 9526950000                 |
| <b>Note</b>                  | **Delivery time on request |

Accessories

| Terminal rail, Set            | Order No.  |
|-------------------------------|------------|
| 35 mm width                   | 1910100000 |
| Earth bar, Set                | Order No.  |
|                               | 9511220000 |
| Mounting plate                | Order No.  |
| Steel sheet, galvanised       | 3073100000 |
| Hinge, diecast aluminium, Set | Order No.  |
|                               | 1580360000 |
| Wall-mounted holder, Set of 4 | Order No.  |
|                               | 9527590000 |
| Torx screwdriver              | Order No.  |
| Uninsulated Torx TH20         | 9009160000 |

**Note** Sets also contain any required fastening accessories. 1 hinge on each longitudinal side

| Assembly with terminal | Vertical            | Horizontal |
|------------------------|---------------------|------------|
|                        | 2,5 mm <sup>2</sup> | 1x18       |
|                        | 4 mm <sup>2</sup>   | 1x15       |
|                        | 6 mm <sup>2</sup>   | 1x11       |
|                        | 10 mm <sup>2</sup>  | 1x9        |
|                        | 16 mm <sup>2</sup>  |            |



**Note** Terminal rails should be fitted directly. The assembly with modular terminals includes a 10 mm space at each end of the terminal rail. Recommendation: TS 35 DIN Rail (screw clamp terminal) WDU 2.5 1020000000 / (tension clamp terminal) ZDU 2.5 1608510000

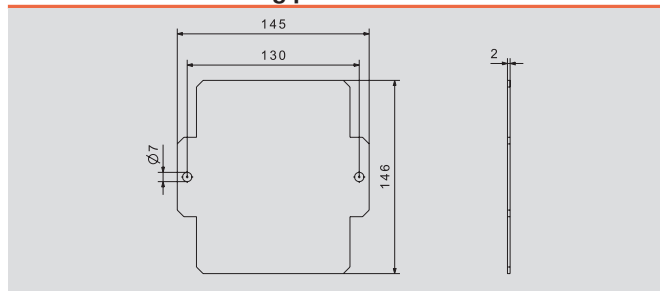
Number of cable entries

| Number of cable entries | A / B | C / D |
|-------------------------|-------|-------|
| M12                     | 14    | 8     |
| M16                     | 8     | 5     |
| M20                     | 5     | 3     |
| M25                     | 3     | 2     |
| M32                     | 2     | 1     |
| M40                     | 1     |       |
| M50                     |       |       |
| M63                     |       |       |



**Note** \*\* Our IP68 brass cable glands are used as the reference for these guideline values.

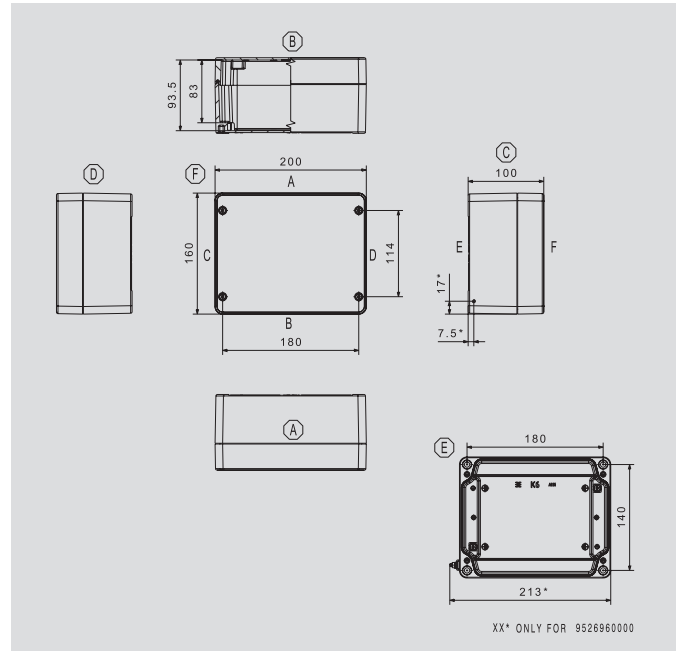
Dimensions of mounting plate



Klippon® K 6

Depth 100 mm

Diecast aluminium enclosure



|                    |                    |
|--------------------|--------------------|
| Height/Width/Depth | 160 / 200 / 100 mm |
| Weight             | 2000 g             |

Ordering data

| Powder-coated (RAL 7001)     | Order No.                  |
|------------------------------|----------------------------|
| Standard (CR seal)           | 9529240000                 |
| Standard (silicone seal)**   | 1937870000                 |
| Unpainted                    | Order No.                  |
| Standard (CR seal)           | 0342500000                 |
| Ex enclosure (silicone seal) | 9526960000                 |
| <b>Note</b>                  | **Delivery time on request |

Accessories

| Terminal rail, Set            | Order No.  |
|-------------------------------|------------|
| 35 mm width                   | 1910110000 |
| Earth bar, Set                | Order No.  |
|                               | 9525020000 |
| Mounting plate                | Order No.  |
| Steel sheet, galvanised       | 3073110000 |
| Hinge, diecast aluminium, Set | Order No.  |
|                               | 1580360000 |
| Wall-mounted holder, Set of 4 | Order No.  |
|                               | 9529080000 |
| Torx screwdriver              | Order No.  |
| Uninsulated Torx TH20         | 9009160000 |

**Note** Sets also include any fixings necessary. 2 hinges per long side

| Assembly with terminal | Vertical            | Horizontal |
|------------------------|---------------------|------------|
|                        | 2,5 mm <sup>2</sup> | 1x25       |
|                        | 4 mm <sup>2</sup>   | 1x21       |
|                        | 6 mm <sup>2</sup>   | 1x15       |
|                        | 10 mm <sup>2</sup>  | 1x12       |
|                        | 16 mm <sup>2</sup>  | 1x10       |

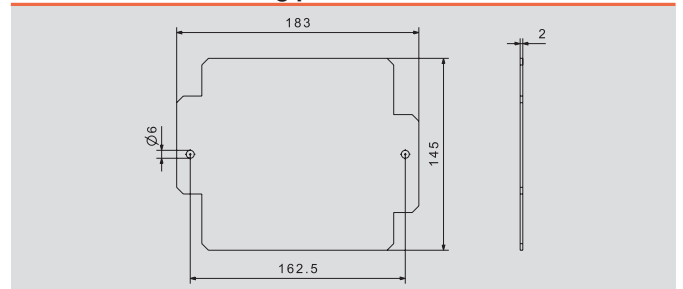
**Note** Terminal rails should be fitted directly. The assembly with modular terminals includes a 10 mm space at each end of the terminal rail.  
Recommendation: TS 35 DIN Rail (screw clamp terminal) WDU 2.5 1020000000 / (tension clamp terminal) ZDU 2.5 1608510000

Number of cable entries

| Number of cable entries | A / B | C / D |
|-------------------------|-------|-------|
| M12                     | 17    | 6     |
| M16                     | 12    | 6     |
| M20                     | 7     | 3     |
| M25                     | 4     | 2     |
| M32                     | 3     | 2     |
| M40                     | 2     | 1     |
| M50                     |       |       |
| M63                     |       |       |

**Note** \*\* Our IP68 brass cable glands are used as the reference for these guideline values.

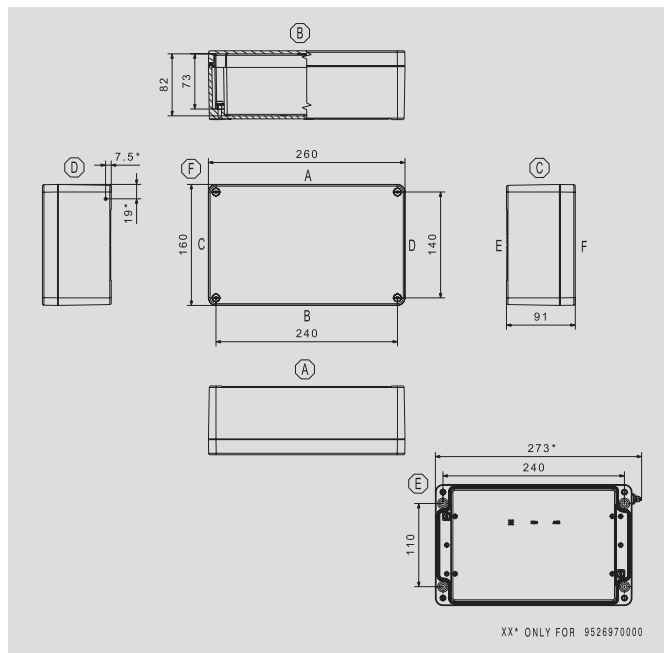
Dimensions of mounting plate



Klippon® K 61

Depth 91 mm

Diecast aluminium enclosure



Height/Width/Depth 160 / 260 / 91 mm  
Weight 2060 g

Ordering data

| Powder-coated (RAL 7001)     | Order No.                  |
|------------------------------|----------------------------|
| Standard (CR seal)           | 9529250000                 |
| Standard (silicone seal)**   | 1937730000                 |
| Unpainted                    | Order No.                  |
| Standard (CR seal)           | 0573600000                 |
| Ex enclosure (silicone seal) | 9526970000                 |
| <b>Note</b>                  | **Delivery time on request |

Accessories

| Terminal rail, Set            | Order No.  |
|-------------------------------|------------|
| 35 mm width                   | 1910120000 |
| Earth bar, Set                | Order No.  |
|                               | 9511230000 |
| Mounting plate                | Order No.  |
| Steel sheet, galvanised       | 3073120000 |
| Hinge, diecast aluminium, Set | Order No.  |
|                               | 1580360000 |
| Wall-mounted holder, Set of 4 | Order No.  |
|                               | 9527590000 |
| Torx screwdriver              | Order No.  |
| Uninsulated Torx TH20         | 9009160000 |

**Note** Sets also include any fixings necessary. 2 hinges per long side

| Assembly with terminal | Vertical            | Horizontal |
|------------------------|---------------------|------------|
|                        | 2,5 mm <sup>2</sup> | 1x38       |
|                        | 4 mm <sup>2</sup>   | 1x32       |
|                        | 6 mm <sup>2</sup>   | 1x24       |
|                        | 10 mm <sup>2</sup>  | 1x19       |
|                        | 16 mm <sup>2</sup>  | 1x16       |



**Note** Terminal rails should be fitted directly. The assembly with modular terminals includes a 10 mm space at each end of the terminal rail.  
Recommendation: TS 35 DIN Rail (screw clamp terminal) WDU 2.5 1020000000 / (tension clamp terminal) ZDU 2.5 1608510000

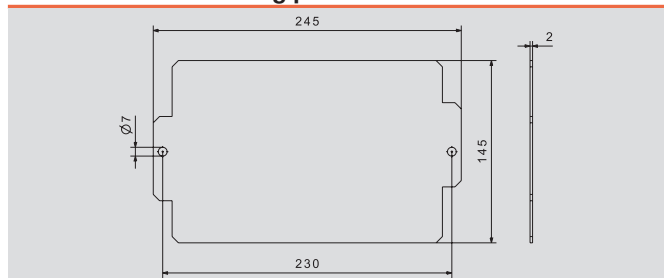
Number of cable entries

| Number of cable entries | A / B | C / D |
|-------------------------|-------|-------|
| M12                     | 27    | 8     |
| M16                     | 23    | 6     |
| M20                     | 13    | 3     |
| M25                     | 8     | 2     |
| M32                     | 4     | 1     |
| M40                     | 3     | 1     |
| M50                     |       |       |
| M63                     |       |       |



**Note** \*\* Our IP68 brass cable glands are used as the reference for these guideline values.

Dimensions of mounting plate



Klippon® K 7

Depth 100 mm

Diecast aluminium enclosure



Height/Width/Depth 160 / 350 / 100 mm  
 Weight 2870 g

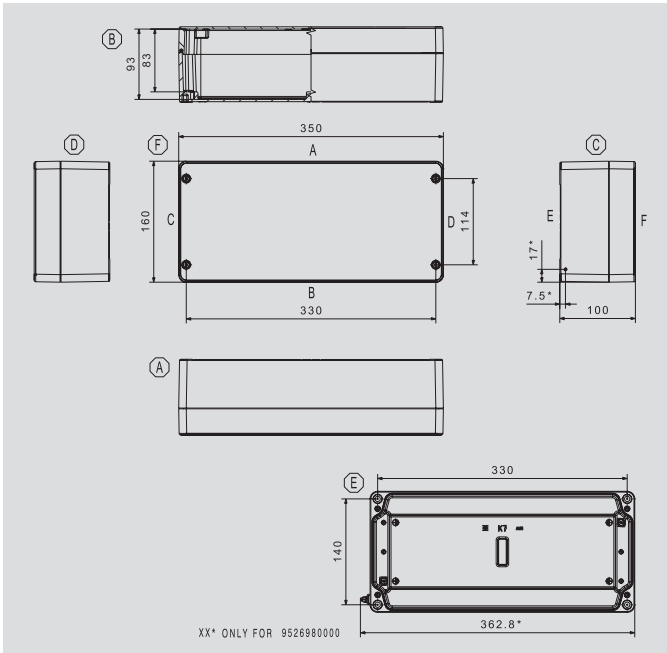
Ordering data

| Powder-coated (RAL 7001)     | Order No.                  |
|------------------------------|----------------------------|
| Standard (CR seal)           | 9529260000                 |
| Standard (silicone seal)**   | 1937880000                 |
| Unpainted                    | Order No.                  |
| Standard (CR seal)           | 0342600000                 |
| Ex enclosure (silicone seal) | 9526980000                 |
| <b>Note</b>                  | **Delivery time on request |

Accessories

| Terminal rail, Set            | Order No.  |
|-------------------------------|------------|
| 35 mm width                   | 1910130000 |
| Earth bar, Set                | Order No.  |
|                               | 9525030000 |
| Mounting plate                | Order No.  |
| Steel sheet, galvanised       | 3073130000 |
| Hinge, diecast aluminium, Set | Order No.  |
|                               | 1580360000 |
| Wall-mounted holder, Set of 4 | Order No.  |
|                               | 9529080000 |
| Torx screwdriver              | Order No.  |
| Uninsulated Torx TH20         | 9009160000 |

**Note** Sets also include any fixings necessary. 2 hinges per long side



| Assembly with terminal | Vertical            | Horizontal |
|------------------------|---------------------|------------|
|                        | 2,5 mm <sup>2</sup> | 1x55       |
|                        | 4 mm <sup>2</sup>   | 1x46       |
|                        | 6 mm <sup>2</sup>   | 1x34       |
|                        | 10 mm <sup>2</sup>  | 1x27       |
|                        | 16 mm <sup>2</sup>  | 1x23       |

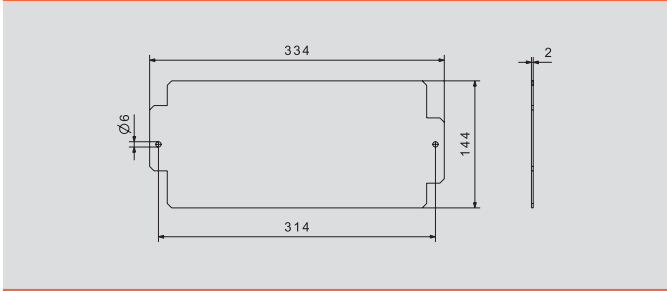
**Note** Terminal rails should be fitted directly. The assembly with modular terminals includes a 10 mm space at each end of the terminal rail.  
 Recommendation: TS 35 DIN Rail (screw clamp terminal) WDU 2.5 1020000000 / (tension clamp terminal) ZDU 2.5 1608510000

Number of cable entries

| Number of cable entries | A / B | C / D |
|-------------------------|-------|-------|
| M12                     | 42    | 8     |
| M16                     | 26    | 6     |
| M20                     | 17    | 3     |
| M25                     | 10    | 2     |
| M32                     | 6     | 2     |
| M40                     | 5     | 1     |
| M50                     |       |       |
| M63                     |       |       |

**Note** \*\* Our IP68 brass cable glands are used as the reference for these guideline values.

Dimensions of mounting plate



Klippon® K 71

Depth 111 mm

Diecast aluminium enclosure



Height/Width/Depth 230 / 280 / 111 mm  
 Weight 2925 g

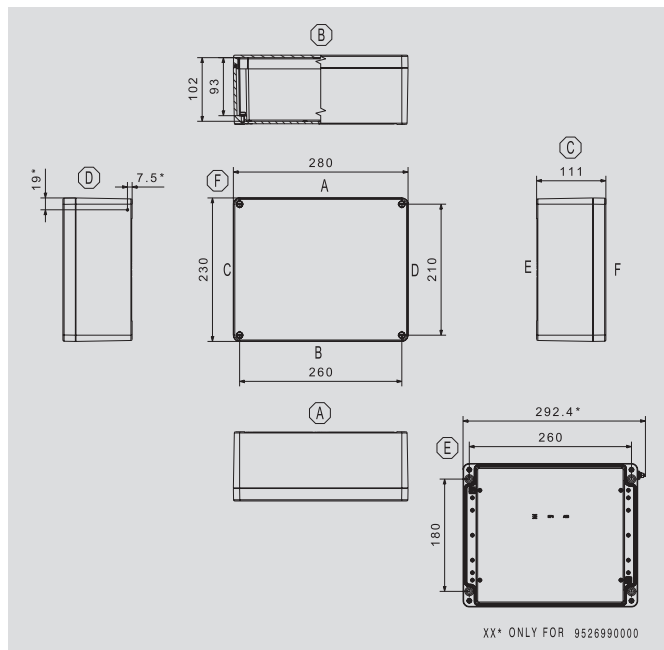
Ordering data

| Powder-coated (RAL 7001)     | Order No.                  |
|------------------------------|----------------------------|
| Standard (CR seal)           | 9529270000                 |
| Standard (silicone seal)**   | 1937720000                 |
| Unpainted                    | Order No.                  |
| Standard (CR seal)           | 0573700000                 |
| Ex enclosure (silicone seal) | 9526990000                 |
| <b>Note</b>                  | **Delivery time on request |

Accessories

| Terminal rail, Set            | Order No.  |
|-------------------------------|------------|
| 35 mm width                   | 1910140000 |
| Earth bar, Set                | Order No.  |
|                               | 9511190000 |
| Mounting plate                | Order No.  |
| Steel sheet, galvanised       | 3073140000 |
| Hinge, diecast aluminium, Set | Order No.  |
|                               | 1580360000 |
| Wall-mounted holder, Set of 4 | Order No.  |
|                               | 9527590000 |
| Torx screwdriver              | Order No.  |
| Uninsulated Torx TH20         | 9009160000 |

**Note** Sets also include any fixings necessary. 2 hinges per long side



| Assembly with terminal | Vertical            | Horizontal |
|------------------------|---------------------|------------|
|                        | 2.5 mm <sup>2</sup> | 2x42       |
|                        | 4 mm <sup>2</sup>   | 2x35       |
|                        | 6 mm <sup>2</sup>   | 2x26       |
|                        | 10 mm <sup>2</sup>  | 2x21       |
|                        | 16 mm <sup>2</sup>  |            |

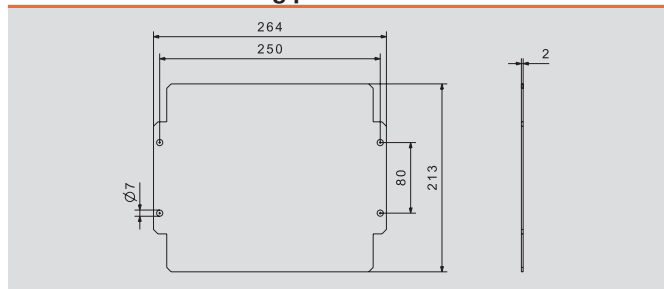
**Note** Terminal rails should be fitted directly. The assembly with modular terminals includes a 10 mm space at each end of the terminal rail. Recommendation: TS 35 DIN Rail (screw clamp terminal) WDU 2.5 1020000000 / (tension clamp terminal) ZDU 2.5 1608510000

Number of cable entries

| Number of cable entries | A / B | C / D |
|-------------------------|-------|-------|
| M12                     | 42    | 28    |
| M16                     | 30    | 18    |
| M20                     | 21    | 10    |
| M25                     | 12    | 8     |
| M32                     | 10    | 3     |
| M40                     | 4     | 2     |
| M50                     | 3     | 2     |
| M63                     |       |       |

**Note** \*\* Our IP68 brass cable glands are used as the reference for these guideline values.








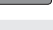

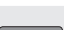

Dimensions of mounting plate





# Standardised distributor enclosures

Whatever application you are planning, Weidmüller delivers suitable enclosure versions for different applications. To make this process even more efficient, Weidmüller provides a modular system from which you can compile your individual enclosure variant.

| Dimensions of the enclosure height x width x depth, mm   | Short term   | Empty enclosures without threaded holes |      | Mounting rail (TS)<br>Mounting plate (MOPL)        |           |                    |            |      |
|--|--------------|---|------|--|-----------|--------------------|------------|------|
|  |              | Order No.                               | Qty. | Type   | Length mm | Stamp dimension mm | Order No.  | Qty. |
| <b>Aluminium, uncoated</b>   |              |   |      |  |           |                    |            |      |
| 64 x 58 x 34    | Klippon® K01 | 1565240000                              | 10   | –  | –         | –                  | –          | –    |
| 70 x 70 x 45    | Klippon® K1  | 0342000000                              | 10   | TS15   | 60        | 4.5 x 20           | 1909980000 | 1    |
| 80 x 75 x 57    | Klippon® K11 | 0573300000                              | 10   | MOPL   | 60        | 4.2 x 14           | 8000004495 | 1    |
|  |              |   |      | TS15   | 64        | 4.5 x 20           | 1909990000 | 1    |
| 70 x 100 x 45   | Klippon® K2  | 0342100000                              | 10   | TS15   | 90        | 4.5 x 20           | 1910010000 | 1    |
| 80 x 125 x 57   | Klippon® K21 | 0573400000                              | 5    | MOPL   | 90        | 4.2 x 14           | 8000004496 | 1    |
| 70 x 165 x 45   | Klippon® K3  | 0342200000                              | 5    | TS15   | 114       | 4.5 x 20           | 1910020000 | 1    |
| 80 x 175 x 57   | Klippon® K31 | 0573500000                              | 5    | TS15   | 155       | 4.5 x 20           | 1910030000 | 1    |
|  |              |   |      | MOPL   | 155       | 4.2 x 14           | 8000004497 | 1    |
| 82 x 130 x 72   | Klippon® K4  | 0342300000                              | 1    | TS15   | 164       | 4.5 x 20           | 1910040000 | 1    |
| 120 x 122 x 81  | Klippon® K41 | 1565270000                              | 1    | TS35   | 64        | 5.5 x 20           | 1910060000 | 1    |
|  |              |   |      | TS35   | 105       | 6.3 x 20           | 1910070000 | 1    |
| 130 x 170 x 90  | Klippon® K5  | 0342400000                              | 1    | TS35   | 148       | 5.5 x 20           | 1910080000 | 1    |
| 160 x 160 x 91  | Klippon® K52 | 1565290000                              | 1    | TS35   | 140       | 6.3 x 20           | 1910100000 | 1    |
|  |              |   |      | suitable for the enclosures of the respective line |           |                    |            |      |

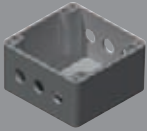
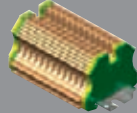



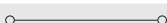


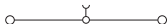

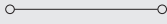
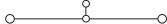
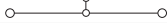
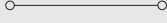
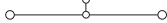

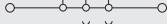




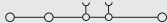
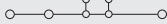
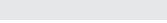

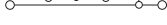
<sup>1</sup> Multi-pole terminal strip (terminal block BK 4, BK 6 or BK 12), mounted on mounting plate

<sup>2</sup> Space for further threaded holes up to M40



You have the possibility to order the empty Klippon® K enclosure with threaded holes already integrated. Matching direct terminal strips with screw or tension spring coupling can be selected. For hazardous areas, Weidmüller offers you a fully fitted distributor enclosure with explosion protection. You will find more information regarding our services on page 36.



| <br>Empty enclosure with threaded holes |                      |                          |      | <br>Terminal strip          |                               |          |  | <br>Distribution box Ex-protection |      |  |  |
|--|----------------------|--------------------------|------|--|-------------------------------|----------|--|---|------|--|--|
| Threaded hole side A   | Threaded hole side B | Order No.                | Qty. | Connection technology  | Cross section mm <sup>2</sup> | Quantity |  | Order No.   | Qty. | Order No.  |  |
| 1x M16   | 1x M16               | 8000004184               | 1    | Screw connection          | 4                             | 4        | 0  | 7906080000  | 100  | –  |  |
| 1x M16   | 2x M16               | 8000004147               | 1    | Screw connection          | 4                             | 4        | 0  | 8000004129 <sup>1)</sup>  | 1    | 8000004202   |  |
| 1x M20   | 1x M20               | 8000004148               | 1    |  |                               |          |  |   |      | 8000004203   |  |
| 2x M16   | 2x M16               | 8000004149               | 1    | Screw connection          | 4                             | 5        | 2  | 8000004131  | 1    | 8000004207   |  |
| 2x M20   | 2x M20               | 8000004150               | 1    | Tension clamp connection  | 2.5                           | 5        | 1  | 8000004130  | 1    | 8000004208   |  |
| 2x M16   | 2x M16               |                          |      | Tension clamp connection  | 2.5                           | 5        | 1  |   |      | 8000004204   |  |
| 2x M20   | 2x M20               |                          |      | Screw connection          | 4                             | 5        | 2  |   |      | 8000004209   |  |
| 2x M20   | 2x M20               | 8000004151               | 1    | Screw connection          | 4                             | 6        | 0  | 8000004132 <sup>1)</sup>  | 1    | 8000004210   |  |
| 3x M16   | 3x M16               | 8000004152               | 1    | Screw connection          | 4                             | 13       | 2  | 8000004134  | 1    | 8000004212   |  |
| 3x M16   | 3x M16               |                          |      | Tension clamp connection  | 2.5                           | 14       | 2  | 8000004133  | 1    | 8000004211   |  |
| 4x M20   | 4x M20               | 8000004153               | 1    | Screw connection          | 4                             | 12       | 0  | 8000004135 <sup>1)</sup>  | 1    | 8000004213   |  |
| 4x M20   | 4x M20               | 8000004154               | 1    | Screw connection          | 4                             | 21       | 2  | 8000004137  | 1    | 8000004215   |  |
| 4x M20   | 4x M20               |                          |      | Tension clamp connection  | 2.5                           | 24       | 2  | 8000004136  | 1    | 8000004214   |  |
| 2x M20   | 2x M20               | 8000004155               | 1    | Screw connection          | 4                             | 5        | 2  | 8000004138  | 1    | 8000004216   |  |
| 2x M20   | 2x M20               |                          |      | Tension clamp connection  | 4                             | 4        | 1  | 8000004139  | 1    | 8000004217   |  |
| 2x M25   | 2x M25               | 8000003446               | 1    | Screw connection          | 4                             | 12       | 2  | 8000003444  | 1    | 8000003589   |  |
| 3x M20   | 3x M20               | 8000003447               | 1    | Tension clamp connection  | 4                             | 9        | 2  | 8000003445  | 1    | 8000003592   |  |
| 2x M25   | 2x M25               |                          |      | Tension clamp connection  | 4                             | 10       | 2  |   |      | 8000003590   |  |
| 3x M20   | 3x M20               |                          |      | Screw connection          | 4                             | 12       | 2  |   |      | 8000003591   |  |
| 4x M20   | 4x M20               | 8000004158               | 1    | Screw connection          | 4                             | 17       | 2  | 8000004140  | 1    | 8000004218   |  |
| 4x M20   | 4x M20               |                          |      | Tension clamp connection  | 4                             | 15       | 2  | 8000004141  | 1    | 8000004219   |  |
| 4x M20   | 4x M20               | 8000004159 <sup>2)</sup> | 1    | Screw connection          | 4                             | 16       | 2  | 8000004142  | 1    | 8000004220   |  |
| 4x M20   | 4x M20               |                          |      | Tension clamp connection  | 2.5                           | 19       | 2  | 8000004143  | 1    | 8000004221   |  |
|  |                      |                          |      | suitable for the enclosures of the respective line   |                               |          |  |   |      | Ex-enclosure, colour RAL 9011, with threaded holes and terminal strip according to the respective line |  |

# Applications

## Process industry

- From power generation and distribution plants to offshore and onshore hazardous area applications for the oil, gas and chemical industries
- Our enclosures are certified for use in accordance with the major international standards, including to the latest European ATEX directives



## Machine industry

- Designed for a variety of industrial applications, such as machine operation controls, lifting equipment and heating and ventilation (HEVAC) applications
- Our aluminium enclosures are of a durable design, yet light to hold, whilst offering excellent protection of the internal components



## Transportation

- For applications such as rolling stock, track side signalling and lighting equipment, and signage protection and control
- The Klippon® aluminium enclosures meet all requirements of mobility through innovative and customised solutions



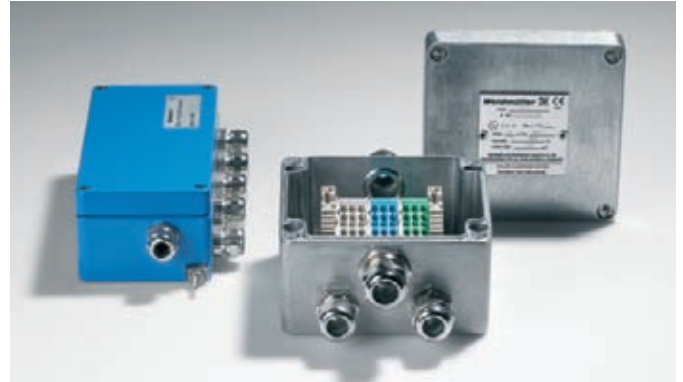
## Lighting and security

- From traffic guidance systems through light signal transmitters, all the way to video surveillance systems
- Painted aluminium enclosures are offered to complement the colours each individual application need



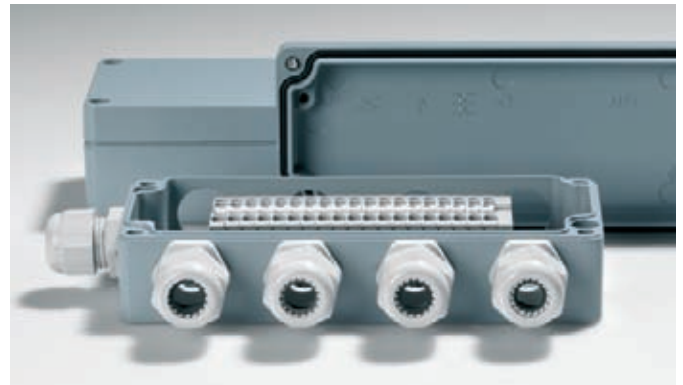
### Hazardous Area applications (ATEX)

Applications placed into a harsh or hazardous environment require an approval. Our Klippon® K range enclosures are certified to the latest ATEX European standards allowing them to be used in every day applications such as pump flow control monitoring used on petrol station forecourts. Developed in line with the latest technologies, they protect both the electronics in Fieldbus Foundation applications and the control and monitoring of signals in petrochemical facilities, for example.



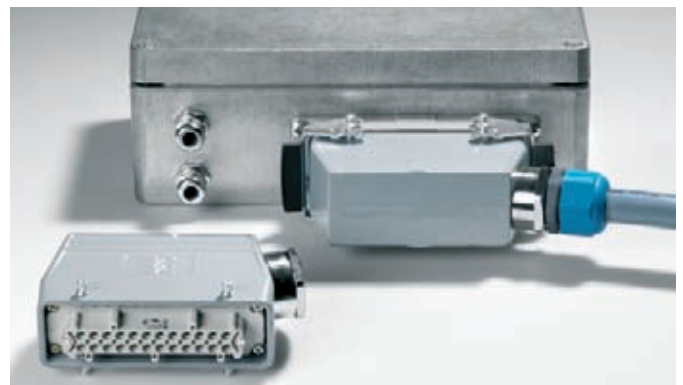
### Standard industrial applications

Simple to handle but still stable, the enclosures of the Klippon® K range are frequently used for control systems in heavy-duty lifting equipment, e.g. cranes. Other typical application fields of the enclosures are in the areas of measurement and control.



### Transportation applications

For the Railway industry our Klippon® K enclosures can be found on the ICE High Speed Train and are used for the control and opening of the sanding system via an electrical interface. The enclosures can be provided with a corrosion-resistant coating to protect them from extreme environment conditions. Other applications include road side signage operation, typically like those found in toll booths at motorways or ports for advising traffic informations.



### Lighting and security applications

Our enclosures are used in traffic light systems to protect the technical equipment for the signal requests. Our Klippon® K enclosures are ideal for protection of the control circuit in the traffic lights to manage switching operations. The enclosures can also be used in modern video surveillance systems for installation of the electrical equipment.



# Customer specific assembly



## Tailored configuration

### Consulting, products, development and manufacturing at one stop

As a reliable partner, Weidmüller configures intelligent enclosure solutions that are individually tailored to customer requirements. This enables the customer to reduce costs, enhance efficiency and concentrate fully on their core skills. Weidmüller has the application know-how and the capacities to offer tailored solutions – quickly, flexibly and economically. With partnership-based consulting, Weidmüller provides support in all areas and defines the tasks together with its customers. As the process continues, Weidmüller selects the ideal components from its wide product portfolio and configures them to create a solution that fits perfectly.

## Highest level of professional production

Weidmüller has professional project management and extensive manufacturing skills, for example in the area of ATEX. A comprehensive portfolio of customer specific assemblies is available:

- Provision of windows, holes and threads in the enclosure
- Equipment with terminal rails
- Equipment with Heli-coil inserts
- Enclosure lid, on request with hinges and other accessories
- Sophisticated machining options such as mill cutting of contours
- Surface coatings on request: special paints, powder coatings, wet paint finish
- Individually tuned device and system markers, e.g. engraved plastic and metal signs – riveted, glued and screw-fitted.
- Furthermore, screw-couplings, cable entries, command and signal devices can be fitted together with internal wiring
- Welding, class C5, DIN 6700 for stainless steel and steel-plate enclosures



## Take multiple profit:

### Simplification of ordering and stockholding

One solution – one item number! It will no longer be necessary to order single components. Article variety and stockholding will be reduced.

### Professional assembly

All individual components will be pre-assembled. This enables the customer to reduce installation overheads, saving time and money.

### Processing of enclosures

Weidmüller uses CNC machining centres to adapt enclosures individually for specific solutions.



## Online product catalogue



Should you have questions regarding the data and details of any products – even outside of usual hours of business or at the weekend – you can simply consult the online catalogue.

<http://catalog.weidmueller.com>

As a perfect source of information – around the clock, 365 days a year – the online catalogue contains not only product features and article numbers but also a great deal of additional information on all product groups.

More information, offers and personal points of contact can be found on the Weidmüller website:

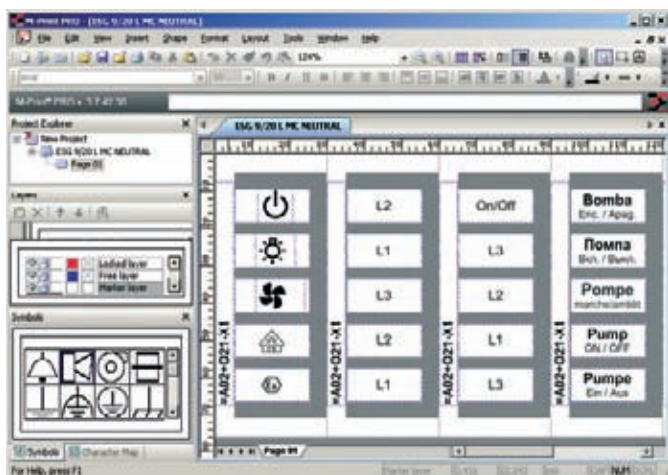
[www.weidmueller.com](http://www.weidmueller.com)



### CAD drawings

Drawings of the Klippon® K enclosures can also be downloaded directly in a wide variety of formats from the PART Server

<http://portal-de.partcommunity.com/>



### M-Print® PRO Label Designer

The comprehensive service offering from Weidmüller includes the software M-Print® PRO!

This professional software for the printing and ordering of Weidmüller labels and markers under Windows® is optimised for current print systems and labelling materials.

M-Print® PRO enables you to design labelling material professionally and quickly: with texts, frames, lines, graphics, bar codes, serial numbers and photos. The interface to RailDesigner® or to your CAE system enables the transfer of all configured data.

# Addresses worldwide

- AE United Arab Emirates**  
Weidmüller Middle East FZE  
P.O. Box 8591  
SAIF-Zone  
Sharjah – U. A. E.  
Phone +971 6 5672723  
Fax +971 6 5672724  
wme.info@weidmueller.com
- AR Argentina**  
CPI SA  
Bauness 2660  
1431 Buenos Aires  
Phone +54 11 45238008  
Fax + 54 11 45220546  
info@cpi.com.ar  
www.cpi.com.ar
- AT Austria**  
Weidmüller GmbH.  
Industriezentrum Nö Süd  
Straße 2, Objekt M2  
2355 Wiener Neudorf  
Phone +43 2236 6708-0  
Fax +43 2236 6708-199  
office.at@weidmueller.com
- AU Australia**  
Weidmüller Pty. Ltd.  
P.O.Box 6944  
Huntingwood Drive 43  
Huntingwood,  
NSW, 2148  
Phone +61 2 9671-9999  
Fax +61 2 9671-9911  
info@weidmuller.com.au  
www.weidmuller.com.au
- AZ Azerbaijan**  
West Industries Ltd.  
Caspian Plaza, 5-th Floor  
44 J. Jabbarly Str., Baku  
Phone +99412 499 15 15  
Fax +99412 499 14 93  
sales@west-i.com
- BA Bosnia and Herzegovina**  
BH ES ELEKTROSISTEM d.o.o.  
Bul. Vojvode S.  
Stepanovica kod br. 272  
78000 BiH - Banja Luka  
Phone +387 51 420-340  
Fax +387 51 420-341  
elsist@inecco.net  
www.elektrosistem.ba
- BE Belgium**  
Weidmüller Benelux B.V.  
Mechelsesteenweg 519 bus 6 en 7  
1930 Nossegem  
Phone +32 2 752 4070  
Fax +32 2 751 3606  
info@weidmueller.be  
www.weidmueller.be
- BG Bulgaria**  
Weid-Bul EOOD  
1756 Sofia  
13, bul. "Kliment Ohridski"  
Phone +359 2 9632560  
Fax +359 2 9631098  
weidbul@nat.bg  
www.weidbul.com
- BH Bahrain**  
Khayber Trading Company  
P.O. Box 1976 Manama,  
Phone +973 720747  
Fax +973 720331  
khayber@batelco.com.bh
- BR Brazil**  
Conexel Conexoes Elétricas Ltda.  
Rua Garcia Lorca, 176  
09695-900, Sao Paulo SP  
Phone +55 11 43669600  
Fax +55 11 43621677  
vendas@conexel.com.br  
www.conexel.com.br
- BY Belarus**  
TECHNIKON Ltd.  
Oktyabrskaya Str. 16/5  
Apt. 704, Minsk 220801  
Phone +375 17 2275830  
Fax +375 17 2275830  
technikon@belsonet.net
- CA Canada**  
W Interconnections CANADA Ltd.  
10 Spy Court, Markham,  
Ontario L3 R5 H6  
Phone +1 905 475-1507  
Fax +1 905 475-2798  
info1@weidmuller.ca  
www.weidmuller.ca
- CH Switzerland**  
Weidmüller Schweiz AG  
Rundbuckstraße 2  
8212 Neuhausen am Rheinfall  
Phone +41 52 6740707  
Fax +41 52 6740708  
info@weidmueller.ch  
www.weidmueller.ch
- CL Chile**  
Felipe Bahamondes S.A./ATS AGRO  
Maria Luisa Santander 0475  
Casilla 3425  
Santiago  
Phone +56 2 341-1271  
Fax +56 2 341-1275  
felipe@atsintech.com
- CN China**  
Weidmüller Interface International  
Trading (Shanghai) Co., Ltd.  
25F, BM Intercontinental Business  
Center,  
100 Yutong Road, Shanghai 200070  
P.R. China  
Phone +86 21 22195008  
Fax +86 21 22195009  
www.cnweidmuller.com
- CO Colombia**  
Automatización Avanzada S. A.  
Carrera 97 No.24c, 23 B4  
4 Bogotá D. C.  
Phone +57 1 5478510  
Fax +57 1 4223044  
comercial@  
automatizacionavanzada.com  
www.automatizacionavanzada.com
- CR Costa Rica**  
ELVATRON S.A.  
la Uruca 400 Norte  
Banco Costa Rica  
San José Costa Rica  
Phone +506 2 961060  
Fax +506 5 200609  
dirk.haase@elvatron.com  
www.elvatron.com
- CZ Czech Republic**  
Weidmüller s. r. o.  
Lomnického 5/1705  
14000 Praha 4  
Phone +420 2 44001400  
Fax +420 2 44001499  
office@weidmueller.cz  
www.weidmueller.cz
- DE Germany**  
Weidmüller GmbH & Co. KG  
P.O. Box 3054  
32720 Detmold  
Ohmstraße 9  
32758 Detmold  
Phone +49 5231 1428-0  
Fax +49 5231 1428-116  
weidmueller@weidmueller.de  
www.weidmueller.de
- DK Denmark**  
Wexoe A/S  
Lejrvej 31  
3500 Vaerloese  
Phone +45 45465800  
Fax +45 45465801  
wexoe@wexoe.dk  
www.wexoe.dk
- EC Ecuador**  
Elsystec S. A. Electricidad  
Sistemas y Tecnología  
Vasco de Contreras N35-25  
y Mañosa, Quito  
Phone +593 2 2456510  
Fax +593 2 2456755  
Elsystec@uio.satnet.net
- EE Estonia**  
Soots Interface OÜ  
Pärnu mnt 142  
11317 Tallinn  
Phone +372 5296177  
Fax +372 6096933  
info@sootsinterface.ee  
www.sootsinterface.ee
- EG Egypt**  
Standard Electric (OMEGA)  
87, Mohamed Farid Street  
Heliopolis, Cairo  
Phone +20 26422977  
Fax +20 26422955  
stdelec@rite.com
- ES Spain**  
Weidmüller S. A.  
Narcis Monturiol 11-13  
Pol. Ind. Sudoeste  
08960 Sant Just Desvern  
Barcelona  
Phone +34 93 4803386  
Fax +34 93 3718055  
weidmuller@weidmuller.es  
www.weidmuller.es
- FI Finland**  
JUHA-ELEKTRO OY  
P. O. Box 57, 641 Helsinki  
Kylvöpolku 6, 680 Helsinki  
Phone +358 10 8328 100  
Fax +358 10 8328 109  
info@juha-elektro.fi  
www.juha-elektro.fi
- FR France**  
Weidmüller E. U. R. L.  
12, Chaussée Jules César  
B.P. 263 Orny  
95523 Cergy Pontoise Cedex  
Phone +33 1 34245500  
Fax +33 1 34245501  
mail@weidmuller.fr
- GB Great Britain**  
Weidmüller Ltd.  
1 Abbey Wood Road  
Kings, West Malling  
ME19 4YT  
Phone +44 1732 877000  
Fax +44 1732 874296  
marketing@weidmuller.co.uk
- GR Greece**  
Electrorama S.A.  
1 An. Martail Str.  
41335 Larissa  
Phone +30 2410 552533188  
Fax +30 2410 283463189  
valizos@electrorama.com.gr
- Greece**  
GA Contact Solutions  
11, Ippokratous Str.  
14452 Metamorfoisi Attika  
Phone +30 210 2823233  
Fax +30 210 2823233  
gasaless@gmail.com
- HK Hong Kong**  
United Equity Limited  
Suite B, 11/F International Industrial  
Centre  
2-8 Kwei Tei Street, Fotan, Shatin  
Phone +852 26876739  
Fax +852 26876735  
united\_equity@sinatown.com
- HR Croatia**  
Elektro Partner d.o.o.  
Slavonska Avenija 24/6  
10000 Zagreb  
Phone +385 1 6184793  
Fax +385 1 6184795  
elektropartner@zg.t-com.hr
- HU Hungary**  
Weidmüller Kft  
Gubacsi út 6  
1097 Budapest  
Phone +36 1 3827700  
Fax +36 1 3827701  
info@weidmueller.hu
- ID Indonesia**  
PT. Nego Electrindo  
Ruko Mega Grosir Cempaka Mas,  
Blok 1, No 20 – 22  
Jl. Let.Jend. Suprato –  
Jakarta 10640  
Phone +62 21 42882255  
Fax +62 21 42882266  
sales@negoelectrindo.co.id
- IE Ireland**  
Please contact Weidmüller Ltd. in  
Great Britain
- IL Israel**  
A.U.Shay Ltd.  
P.O. Box 10049  
Embar Street 23/25  
Petch-Tikwa 49222  
Phone +972 3 9233601  
Fax +972 3 9234601
- Israel**  
ATEKA Ltd.  
23 Hayetzira St.  
Kiryat Aryeh  
49130 Petch-Tikva, Israel  
Phone +972 3 9392344  
Fax +972 3 9243273  
marketing@ateka.co.il  
www.ateka.co.il
- IN India**  
Weidmüller Electronics India Pvt. Ltd  
Plot # 32, 3rd Floor, North Court  
Lane North Avenue, Opp Jogger's Park  
Kalyani Nagar, Maharashtra  
411006 Pune  
Phone +91 9049800960  
Nitish.Rajan@weidmueller.de
- IR Iran**  
Tamin Ehtiajat Fani Tehran (TAF Co.)  
72, Iranshahr Ave.(Unit # 5)  
15816 Tehran  
Phone +98 21 8831-7851  
Fax +98 21 8882-0268  
tafco@safineh.net
- IS Iceland**  
Samey Automation Center  
Lyngas 13, 210 Garoabaer,  
Phone +354 510 5200  
Fax +354 510 5201  
samey@samey.is
- IT Italy**  
Weidmüller S.R.L.  
Via Albert Einstein 4  
20092 Cinisello Balsamo  
Milano  
Phone +39 02 660681  
Fax +39 02 6124945  
weidmuller@weidmuller.it  
www.weidmuller.it
- JO Jordan**  
HORIZONS  
P.O.Box: 330607  
Amman Jordan 11133  
Phone +962 6 4882114  
Fax +962 6 4882115  
horizons@go.com.jo
- JP Japan**  
Nihon Weidmüller Co. Ltd.  
Sphere Tower Tennoz,  
2-2-8 Higashi-Shinagawa,  
Shinagawa-Ku, Tokyo 140-0002  
Phone +81 3 6711-5300  
Fax +81 3 6711-5333  
www.weidmuller.co.jp
- KR Korea**  
Weidmüller Korea Co., Ltd.  
6floor, Sukyong building, 242-54  
Nonhyun-dong, Kangnam-Gu  
Seoul, Korea  
Zip: 135-830  
Phone +82 2 5160003  
Fax +82 2 5160090  
info@weidmuller.co.kr
- KW Kuwait**  
KANA CONTROLS General  
Trading & Cont. CO. W.L.L.  
Al Rai Industrial Area,  
Plot 28-30, St. 31  
P.O.Box: 25593  
Safat, 13016  
Phone +966-474 1373/4  
Fax +966-474 1537  
info@kanacontrols.com

Group companies **DE**

Agency abroad **DE**

Without own Agency **DE**

**LB Lebanon**  
Progress Engineering & Trading Enterprises  
Al Nahr Street  
Beirut  
Phone +961 1 444664  
Fax +961 1 561880  
progress@inco.com.lb

**LT Lithuania**  
ELEKTROS IRANGA  
Tinklu g.29a, 5319 Panevezys  
Phone +370 45582828  
Fax +370 45582727  
info@eliranga.lt

**LU Luxembourg**  
Please contact Weidmüller  
Benelux B.V. in the Netherlands

**LV Latvia**  
SIA "ABI4"  
56A Daugavgrivas str.  
1007 Riga  
Phone +371 67470999  
Fax +371 67465637  
abi\_4@tvnet.lv

**MD Moldova**  
BERHORD A&D srl  
44, srt. Sarmizegetusa 37/3  
Off 414, b-dul Decebal, 3,  
Christinau, MD 2001  
Phone +373 22 507137  
Fax +373 22 507134  
atuleanu@berhord.com

**ME Montenegro**  
Please contact  
ES-YU Elektrosistem in Serbia

**MK Macedonia**  
ELEKTRO – SMK doool  
UL. III Makedonska brigada b.b.  
1000 Skopje  
Phone +389 22 460 295  
Fax +389 22 460 298  
Elektro-smk@telekabel.net.mk

**MT Malta**  
E. S. S., Electrical Supplies  
& Services Ltd  
104 J. Sciberras Str.  
Hamrun HMR 08  
Phone +356 21 255 777  
Fax +356 21 255 999  
robert@ess.com.mt

**MU Mauritius**  
MUBELO Electrical Ltd  
Office 26, Gateway building,  
St. Jean Road, Quatre Bornes  
Phone +230 498 6410  
Fax +230 467 0989  
richard.mubelo@orange.mu

**MX Mexico**  
W Interconnections, S.A. DE C.V.  
Blvd. Hermanos Serdán No. 698  
Col. San Rafael Oriente  
Puebla, C.P. 72029  
Phone +52 222 22686227  
clientes@weidmuller.com.mx

**MY Malaysia**  
Connect Plus Technology Sdn Bhd  
No. 43, Jalan PJS 11/22,  
Bandar Sunway, 46150 Petaling Jaya  
Selangor Darul Ehsan  
Phone +60 3 5633 7363  
Fax +60 3-5633 6562  
paul@cptech.com.my  
www.cptech.com.my

**NL Netherlands**  
Weidmüller Benelux B.V.  
Franciscusweg 221  
1216 SE Hilversum  
Postbus 1505  
1200 BM Hilversum  
Phone +31 35 6261261  
Fax +31 35 6232044  
info@weidmuller.nl

**NO Norway**  
Siv. Ing. J. F. Knudtzen A/S  
Billingstadsletta 97  
P.O. Box 160  
1378 Nesbru  
Phone +47 66 983350  
Fax +47 66 980955  
firmapost@jfkudtzen.no  
www.jfkudtzen.no

**NZ New Zealand**  
Cuthbert S. Steward Limited  
27 Te Puni Street  
POB 38496  
Petone, Wellington  
Phone +64 4 5686156  
Fax +64 4 5686056  
info@weidmueller.de

**OM Oman**  
DAN INTERNATIONAL LLC.  
PO.BOX 2901  
111 Seeb  
Phone +968 503 677  
Fax +968 503 755  
yedu@danintl.com

**PE Peru**  
TECNOLOGÍA ELÉCTRICA Y  
SOLUCIONES S.A.C.  
Calle Huandoy 501, Lima 32, Peru  
Phone / Fax +51 1 562-0004  
info@tecsol-peru.com

**Peru**  
IMGEPRO DEL PERU S.A.C.  
Jr. Arequipa 3410, Lima 31, Peru  
Phone / Fax +51 1 569-7678  
dbernardo@imgepro.com.pe  
www.imgepro.pe

**PH Philippines**  
Enclosure Systems Specialists Inc  
W-15 La Fuerza Compound  
2241 Don Chino Roces Avenue  
Makati City 1231  
Phone +63 2 813 8580  
Fax +63 2 813 8596  
sales\_encsys@pltdsl.net

**PK Pakistan**  
Kana Controls (Pak)  
Apartment No. 33 C III  
Chenab Block,  
Allama Iqbal Town  
Lahore, Pakistan  
Phone +92 42 5419948  
+92 42 7845160  
+92 42 5422895  
nadeem@kanapak.com  
www.kanapak.com

**PL Poland**  
Weidmüller Sp. z o.o.  
Ul. Golezdzinowska 10  
03-302 Warszawa  
Phone +48 22 5100940  
Fax +48 22 5100941  
biuro@weidmuller.com.pl  
www.weidmuller.pl

**PT Portugal**  
Weidmüller Sistemas de  
Interface S. A.  
Estrada Outeiro Polima, R. Augusto  
Dias da Silva, Lote B, Esc. 2,  
2785-515 Aboboda -São Domingos  
de Rana  
Phone +351 21 4459191  
Fax +351 21 4455871  
www.weidmueller.pt

**QA Qatar**  
Doha Motors Trading Co.  
(Technical Division)  
Post Box No. 145  
Airport Road  
Doha - Qatar  
Phone +974 465 1441  
Fax +974 465 0925  
dmtctech@qatar.net.qa

**RO Romania**  
Rominterface Impex SRL  
Str. Gh. Dem Teodorescu 30 A  
30916 Bucuresti - sector 3  
Phone +40 21 3220230  
Fax +40 21 3228857  
office@rominterface.ro

**RS Serbia**  
ES-YU Elektrosistem  
Pariske komune 41  
11070 Novi Beograd, Serbia  
Phone +381 11 3018660  
Fax +381 11 2693608  
esyu@eunet.rs  
www.elektrosistem.co.rs

**RU Russia**  
Weidmüller Interface GmbH & Co. KG  
Representative Office  
Varshavskoye highway, 25A, bld. 6  
117105 Moscow  
Phone +7 4 95 771-6940  
Fax +7 4 95 771-6941  
info@weidmueller.ru  
www.weidmueller.rus

**SA Saudi Arabia**  
Al Abdulkarim Holding Co.  
P.O. Box. 4  
Dammam 31411  
Phone +9668337110  
Fax +9668338242  
salehsk@akh.com.sa  
www.akte.com.sa

**Saudi Electric Supply Co.**  
P.O. Box 3298  
Al Khobar 31952  
Phone +966 3 882 9546227  
Fax +966 3 882 9547  
Safdar.malik@sesco-ge.com

**SE Sweden**  
Weidmüller AB  
Axel Daniéssons väg 271  
P.O. box 31025  
200 49 Malmö  
Phone +46 (0) 7 71 43 00 44  
Fax +46 (0) 40 37 48 60  
info@weidmuller.se  
www.weidmuller.se

**SG Singapore**  
Weidmüller Pte. Ltd.  
78 Bendemeer Road  
#04-03 Luzerne  
Singapore 339940  
Phone +65 6841 5311  
Fax +65 6841 5377  
info@weidmuller.com.sg  
www.weidmuller.com.sg

**SI Slovenia**  
ELEKTROSPOJIL d.o.o.  
Stegne 25, 1000 Ljubljana  
Phone +386 15113810  
Fax +386 15111604  
info@elektrospojil.si  
www.elektrospojil.si

**SK Slovakia**  
ELEKTRIS s.r.o.  
Elektrárenská 1  
83104 Bratislava  
Phone +421 2 49200113  
Fax +421 2 49200119  
weidmueller@computel.sk

**TH Thailand**  
Pisanu Engineering Co., Ltd  
800/43-45 Soi Trakulsuk  
Asoke-dindaeng Road,  
Dindaeng, Bangkok 10400  
Phone +66 2 245 9113  
Fax +66 2 6429220  
jayasankar@pisanu.co.th  
www.pisanu.co.th

**TN Tunisia**  
Please contact  
Weidmüller E.U.R.L. in France

**TR Turkey**  
Weidmüller Elektronik Ticaret Ltd.  
Sirketi  
Kavacik Mah. Orhan Veli Kanik  
Caddesi 9/1  
34810 Beykoz – İstanbul  
Phone +90 216 5371070 (Pbx)  
Fax +90 216 5371077  
info@weidmuller.com.tr  
www.weidmuller.com.tr

**TW Taiwan**  
Fittatek Co., Ltd.  
12F No. 165 Fu-Kuo Road,  
Tso Ying Dist, Kaohsiung  
Phone +886 7 556 0858  
Fax +886 7 556 3279  
stanley@fittatek.com.tw  
www.fittatek.com.tw

**Taiwan**  
Eucan Enterprise Ltd.  
No. 145 He Ping 2nd Rd  
Kaohsiung  
Phone +886 7 715 6610  
Fax +886 7 715 8748  
mark@eucan.com.tw  
www.eucan.com.tw

**UA Ukraine**  
TEKO INTERFACE ooo  
ul. Lewanewskogo 6  
03058 Kiev  
Phone +38 044 401 09 90  
Fax +38 044 401 08 64  
weidmueller@tekointerface.com  
www.tekointerface.com.ua

**US United States**  
W-Interconnections Inc.  
821 Southlake Boulevard,  
Virginia - Richmond 23236  
Phone +1 804 7942877  
Fax +1 804 3792593  
info@weidmuller.com  
www.weidmuller.com

**UY Uruguay**  
REWO Uruguay S.A  
Av. Bolivia 2001 Esq Rocafuerte  
Carrasco Montevideo 11300  
Phone / Fax +598 260 48439  
clorda@reworuguay.com.uy

**UZ Uzbekistan**  
OOO "Elektro Potential"  
Gani Mavjjanova str., 2B  
100084 Tashkent  
Phone +998 98-3003821  
Fax +998 71-1249286  
mz1958@yandex.ru

**VE Venezuela**  
Somierinca C.A.  
Quinta Sagrado Corazon de Jesus -  
3ra Transversal - Los Dos Caminos,  
Caracas 1070 - A  
Phone +58 212 2352748  
Fax +58 212 2399341  
kiocmoeller@cantv.net  
www.kmsomerinca.com.ve

**VN Vietnam**  
AUMI Co., Ltd  
E1, La Thanh Hotel,  
218 Doi Can Street,  
Lieu Giai Ward, Ba Dinh District,  
Hanoi City  
Phone +84 4762 8601  
Fax +84 4266 1391  
aumi@aumi.com.vn

Linh Kim Hai Co., Ltd  
78 Hoa Cuc Street Ward 7,  
Phu Thuan District,  
Ho Chi Minh City  
Phone +84 8517 1717  
Fax +84 8517 1818  
lkh@linhkimhai.com.vn

New Sky Co., Ltd  
44/28 Tan Hai Street,  
Ward 13, Tan Binh District,  
Ho Chi Minh City  
Phone +84 8812 6593  
Fax +84 8812 6594  
newsy-e@hcm.vnn.vn  
www.newsky-e.com

**ZA South Africa**  
Phambili Interface (Pty) Ltd  
P.O. Box 193, 1609 Johannesburg  
5 Bundo Road, Sebenza  
1610 Johannesburg, Endenvale  
Phone +27 11 452 1930  
Fax +27 11 452 6455  
sales@weidmuller.co.za  
www.radicinterface.co.za

**DE Other countries**  
Weidmüller Interface GmbH & Co. KG  
Postfach 3030  
32720 Detmold  
Klingenbergstraße 16  
32758 Detmold  
Phone +49 5231 14-0  
Fax +49 5231 14-2083  
info@weidmuller.de  
www.weidmuller.com

|                        |             |                      |
|------------------------|-------------|----------------------|
| Argentina              | Indonesia   | Saudi Arabia         |
| Australia              | Iran        | Serbia               |
| Austria                | Ireland     | Singapore            |
| Azerbaijan             | Israel      | Slovakia             |
| Bahrain                | Italy       | Slovenia             |
| Belarus                | Japan       | South Africa         |
| Belgium                | Jordan      | Spain                |
| Bosnia and Herzegovina | Kazakhstan  | Sweden               |
| Brazil                 | Korea       | Switzerland          |
| Bulgaria               | Kuwait      | Taiwan               |
| Canada                 | Latvia      | Thailand             |
| Chile                  | Lebanon     | Tunisia              |
| China                  | Lithuania   | Turkey               |
| Colombia               | Luxembourg  | Ukraine              |
| Costa Rica             | Macedonia   | United Arab Emirates |
| Croatia                | Malaysia    | United States        |
| Czech Republic         | Malta       | Uruguay              |
| Denmark                | Mexico      | Uzbekistan           |
| Ecuador                | Moldova     | Venezuela            |
| Egypt                  | Netherlands | Vietnam              |
| Estonia                | New Zealand |                      |
| Finland                | Norway      |                      |
| France                 | Oman        |                      |
| Germany                | Pakistan    |                      |
| Great Britain          | Peru        |                      |
| Greece                 | Philippines |                      |
| Hong Kong              | Poland      |                      |
| Hungary                | Portugal    |                      |
| Iceland                | Qatar       |                      |
| India                  | Romania     |                      |
|                        | Russia      |                      |

**Weidmüller is a leading international provider of solutions for electrical connectivity, transmission and conditioning of power, signal and data in industrial environments.**

**The company with headquarters in Detmold/Germany develops, produces and sells products in the field of electrical connectivity and electronics all over the world. Via a network of application specialists Weidmüller offers engineering services and develops application specific solutions.**

**The complete product and service portfolio consistently assures both Weidmüller and its customers of competitive advantages and an increase in value.**

We cannot guarantee that there are no mistakes in the publications or software provided by us to the customer for the purpose of making orders. We try our best to quickly correct errors in our printed media.

All orders are based on our general terms of delivery, which can be reviewed on the websites of our group companies where you place your order. On demand we can also send the general terms of delivery to you.

Order number:  
1216200000/01/2011/SMMD





## X-ON Electronics

Largest Supplier of Electrical and Electronic Components

*Click to view similar products for [Enclosures, Boxes, & Cases](#) category:*

*Click to view products by [Weidmuller](#) manufacturer:*

Other Similar products are found below :

[CR-425 PAINTED](#) [585-R-WH-PK](#) [M-10-PLATED](#) [60221-01](#) [60566-01-000](#) [HPL-9VB BATT DOOR](#) [M-16-LID-PLATED](#) [M18-PLTD](#) [M-21-LID-PLATED](#) [M-21-PLATED](#) [M-23-PLATED](#) [CU-281-MB](#) [6711GSKT](#) [71884-29-028](#) [LH45-100 Black](#) [7200B](#) [72868-510-000](#) [CNS-0000 Black](#) [72883-510-000](#) [CNS-0101 Black](#) [72906-510-000](#) [CNS-0407 Black](#) [73091-510-000](#) [CNM-0000-BLACK Kit](#) [73092-510-000](#) [CNM-0101 Black](#) [73108-510-000](#) [CNL-0303 Black](#) [73395-510-039](#) [CNS-0006 Bone](#) [74257-510-000](#) [CNL-0004](#) [MDC-1183-PLAIN-ALUM](#) [MDC-1183-PTD](#) [MDC-13104-PLAIN-ALUM](#) [MDC-211 - PAINTED IVORY/BEIGE](#) [MDC-321-PTD](#) [MDC-432-PLAIN-ALUM](#) [MDC-973-PTD](#) [76](#) [77153-01-028](#) [FLX6030](#) [83535-01-508](#) [PS-11296-G](#) [PS-11298-B](#) [116-508](#) [120-407](#) [120-412](#) [120-909](#) [120-455](#) [R272-100-000](#) [120-910](#) [R501-001-010](#) [R508-080-000](#) [R508-160-000](#) [R530-120-000](#) [R530-122-000](#) [R530-200-000](#) [R531-160-000](#) [R531-200-000](#) [R582-080-100](#)