

Klippon K (aluminium empty enclosure) KLIPPON K11

Weidmüller Interface GmbH & Co. KG
Klingenbergstraße 16
D-32758 Detmold
Germany
Fon: +49 5231 14-0
Fax: +49 5231 14-292083
www.weidmueller.com



The Klippon® brand has long stood for competence and quality in housings – particularly when turnkey, customer-specific solutions for standard industrial applications and applications in explosive risk zones are concerned.

Improved products that meet all application requirements: this was Weidmüller's aim when modernising and upgrading the Klippon® K enclosure series. No matter what kind of application the customer is planning; Weidmüller is able to provide a wide range of aluminium enclosures precisely fitting the customer's requirements.

- Available in two surface finishes: natural and powder-coated (RAL 7001)
- Available with moulded silicone or chloroprene gasket as standard
- Uniform Torx slotted screw head for 19 enclosure sizes
- Mounting holes outside of the gasket area
- High IP protection classes: IP66, IP67 and IP68
- Impact resistance of up to 7 (10) Joules
- The enclosures are approved according ATEX, IECEx, GOST Ex, GOST, cULus, Russian Maritime Register and Germanischer Lloyd as well as the empty enclosure standard.
- Alloy is resistant to salt water
- Standardised distributor enclosures with threaded holes and a variety of terminal configurations

General ordering data

Type	KLIPPON K11
Order No.	0573300000
Version	Klippon K (aluminium empty enclosure), Empty enclosure, Aluminium enclosure, Height: 80 mm, Width: 75 mm, Depth: 57 mm, Material: Aluminium AlSi12, untreated, silver
GTIN (EAN)	4008190031190
Qty.	10 pc(s).

**Klippon K (aluminium empty enclosure)
KLIPPON K11**

Weidmüller Interface GmbH & Co. KG
 Klingenbergstraße 16
 D-32758 Detmold
 Germany
 Fon: +49 5231 14-0
 Fax: +49 5231 14-292083
 www.weidmueller.com

Technical data**Dimensions and weights**

Width	75 mm	Width (inches)	2.953 inch
Height	80 mm	Height (inches)	3.15 inch
Depth	57 mm	Depth (inches)	2.244 inch
Mounting dimension - width	63 mm	Mounting dimension - height	52 mm
Weight	280 g	Net weight	318 g

Environmental Product Compliance

REACH SVHC Lead 7439-92-1

Cable glands, left

M12	2	M16	2
M20	1		

Cable glands, right

M12	2	M16	2
M20	1		

Cable glands, top/bottom

M12	2	M16	2
M20	1	M25	1

Certificate numbers enclosure

Certificate No. (GERMLLOYD)	TAE00002SM	Certificate No. (MARITREG)	14.40040.250
Certificate no. (cULus)	E197061		

General information

Areas of use	Process industry, Transportation, Marine engineering, Packaging industry, Harbour facilities, Machine construction	Material thickness	4 mm
Material thickness of cover	2.5 mm	Material thickness of enclosure	4 mm
Material	Aluminium AlSi12	Seal material	Chloroprene
Surface finish	untreated	Operating temperature, min.	-40 °C
Operating temperature, max.	80 °C	Impact resistance	10.00 J
Protection degree	IP66, IP67, IP68	Note: protection class	IP68 (t=72h, h=1m)
Enclosure attachment	Holes 4 mm	Lid attachment	M4 torx stainless steel screws with slot
Integral fixing	Threaded holes M4		

horizontal assembly

WDU 2,5 / ZDU 2,5 / IDU 2,5	1x5	WDU 4 / ZDU 4	1x4
-----------------------------	-----	---------------	-----

vertical assembly

WDU 2,5 / ZDU 2,5 / IDU 2,5	1x1*	WDU 4 / ZDU 4	1x1*
-----------------------------	------	---------------	------

**Klippon K (aluminium empty enclosure)
KLIPPON K11**

Weidmüller Interface GmbH & Co. KG
 Klingenbergstraße 16
 D-32758 Detmold
 Germany
 Fon: +49 5231 14-0
 Fax: +49 5231 14-292083
 www.weidmueller.com

Technical data**Classifications**

ETIM 3.0	EC000058	ETIM 4.0	EC000058
ETIM 5.0	EC000058	ETIM 6.0	EC000261
UNSPSC	31-26-15-02	eClass 5.1	27-14-91-07
eClass 6.2	27-14-91-07	eClass 7.1	27-14-91-07
eClass 8.1	27-14-91-07	eClass 9.0	27-18-01-01
eClass 9.1	27-18-92-90		

Approvals

Approvals



ROHS

Conform

Downloads

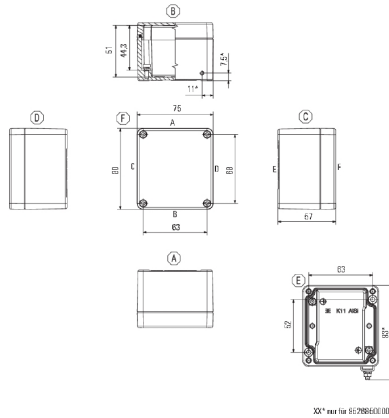
Approval/Certificate/Document of Conformity	EU Declaration of Conformity - Klippon K Empty Enclosures - DoC DE PS2410 160412 001ISS01
Brochure/Catalogue	MB KLIPPON ENCL.TECN EN CAT 5 ENCL 17/18 EN FL RAILWAY 2014 EN
Engineering Data	EPLAN, WSCAD
Engineering Data	STEP
Tender specification	Klippon K11_0573300000_DE Klippon K11_0573300000_EN
User Documentation	MB KLIPPON ENCL.TECN DE Assembly guidelines - empty enclosures

**Klippon K (aluminium empty enclosure)
KLIPPON K11**

Weidmüller Interface GmbH & Co. KG
 Klingenbergstraße 16
 D-32758 Detmold
 Germany
 Fon: +49 5231 14-0
 Fax: +49 5231 14-292083
 www.weidmueller.com

Drawings

Dimensioned drawing



X-ON Electronics

Largest Supplier of Electrical and Electronic Components

Click to view similar products for [Enclosures, Boxes, & Cases](#) category:

Click to view products by [Weidmuller](#) manufacturer:

Other Similar products are found below :

[CR-425 PAINTED](#) [585-R-WH-PK](#) [M-10-PLATED](#) [60221-01](#) [60566-01-000](#) [HPL-9VB BATT DOOR](#) [M-16-LID-PLATED](#) [M18-PLTD](#) [M-21-LID-PLATED](#) [M-21-PLATED](#) [M-23-PLATED](#) [CU-281-MB](#) [6711GSKT](#) [71884-29-028](#) [LH45-100 Black](#) [7200B](#) [72868-510-000](#) [CNS-0000 Black](#) [72883-510-000](#) [CNS-0101 Black](#) [72906-510-000](#) [CNS-0407 Black](#) [73091-510-000](#) [CNM-0000-BLACK Kit](#) [73092-510-000](#) [CNM-0101 Black](#) [73108-510-000](#) [CNL-0303 Black](#) [73395-510-039](#) [CNS-0006 Bone](#) [74257-510-000](#) [CNL-0004](#) [MDC-1183-PLAIN-ALUM](#) [MDC-1183-PTD](#) [MDC-13104-PLAIN-ALUM](#) [MDC-211 - PAINTED IVORY/BEIGE](#) [MDC-321-PTD](#) [MDC-432-PLAIN-ALUM](#) [MDC-973-PTD](#) [76](#) [77153-01-028](#) [FLX6030](#) [83535-01-508](#) [PS-11296-G](#) [PS-11298-B](#) [116-508](#) [120-407](#) [120-412](#) [120-909](#) [120-455](#) [R272-100-000](#) [120-910](#) [R501-001-010](#) [R508-080-000](#) [R508-160-000](#) [R530-120-000](#) [R530-122-000](#) [R530-200-000](#) [R531-160-000](#) [R531-200-000](#) [R582-080-100](#)