

## Klippon K (aluminium empty enclosure) KLIPPON K1 RAL7001

**Weidmüller Interface GmbH & Co. KG**  
Klingenbergstraße 16  
D-32758 Detmold  
Germany  
Fon: +49 5231 14-0  
Fax: +49 5231 14-292083  
www.weidmueller.com



The Klippon® brand has long stood for competence and quality in housings – particularly when turnkey, customer-specific solutions for standard industrial applications and applications in explosive risk zones are concerned.

Improved products that meet all application requirements: this was Weidmüller's aim when modernising and upgrading the Klippon® K enclosure series. No matter what kind of application the customer is planning; Weidmüller is able to provide a wide range of aluminium enclosures precisely fitting the customer's requirements.

- Available in two surface finishes: natural and powder-coated (RAL 7001)
- Available with moulded silicone or chloroprene gasket as standard
- Uniform Torx slotted screw head for 19 enclosure sizes
- Mounting holes outside of the gasket area
- High IP protection classes: IP66, IP67 and IP68
- Impact resistance of up to 7 (10) Joules
- The enclosures are approved according ATEX, IECEx, GOST Ex, GOST, cULus, Russian Maritime Register and Germanischer Lloyd as well as the empty enclosure standard.
- Alloy is resistant to salt water
- Standardised distributor enclosures with threaded holes and a variety of terminal configurations

### General ordering data

Type	KLIPPON K1 RAL7001
Order No.	<a href="#">9529120000</a>
Version	Klippon K (aluminium empty enclosure), Empty enclosure, Aluminium enclosure, Height: 70 mm, Width: 70 mm, Depth: 45 mm, Material: Aluminium AISi12, Powder-coated, textured, Silver grey
GTIN (EAN)	4008190918026
Qty.	10 pc(s).

**Klippon K (aluminium empty enclosure)  
KLIPPON K1 RAL7001**

**Weidmüller Interface GmbH & Co. KG**  
 Klingenbergstraße 16  
 D-32758 Detmold  
 Germany  
 Fon: +49 5231 14-0  
 Fax: +49 5231 14-292083  
 www.weidmueller.com

**Technical data****Dimensions and weights**

Width	70 mm	Width (inches)	2.756 inch
Height	70 mm	Height (inches)	2.756 inch
Depth	45 mm	Depth (inches)	1.772 inch
Mounting dimension - width	58 mm	Mounting dimension - height	42 mm
Weight	220 g	Net weight	251.5 g

**Environmental Product Compliance**

REACH SVHC Lead 7439-92-1

**Cable glands, left**

M12	1	M16	1
-----	---	-----	---

**Cable glands, right**

M12	1	M16	1
-----	---	-----	---

**Cable glands, top/bottom**

M12	2	M16	2
M20	1		

**Certificate numbers enclosure**

Certificate No. (GERMLLOYD)	TAE00002SM	Certificate No. (MARITREG)	14.40040.250
Certificate no. (cULus)	E197061		

**General information**

Areas of use	Process industry, Transportation, Marine engineering, Packaging industry, Harbour facilities, Machine construction	Material thickness	3.5 mm
Material thickness of cover	3 mm	Material thickness of enclosure	3.5 mm
Material	Aluminium AlSi12	Seal material	Chloroprene
Surface finish	Powder-coated, textured	Operating temperature, min.	-40 °C
Operating temperature, max.	80 °C	Impact resistance	10.00 J
Protection degree	IP66, IP67, IP68	Note: protection class	IP68 (t=72h, h=1m)
Enclosure attachment	Holes 4 mm	Lid attachment	M4 torx stainless steel screws with slot
Integral fixing	Threaded holes M4		

**horizontal assembly**

WDU 2,5 / ZDU 2,5 / IDU 2,5	1x5	WDU 4 / ZDU 4	1x1*
-----------------------------	-----	---------------	------

**vertical assembly**

WDU 2,5 / ZDU 2,5 / IDU 2,5	1x1*	WDU 4 / ZDU 4	1x1*
-----------------------------	------	---------------	------

**Data sheet**

**Klippon K (aluminium empty enclosure)  
KLIPPON K1 RAL7001**

**Weidmüller Interface GmbH & Co. KG**  
Klingenbergstraße 16  
D-32758 Detmold  
Germany  
Fon: +49 5231 14-0  
Fax: +49 5231 14-292083  
www.weidmueller.com

**Technical data**

**Classifications**

ETIM 3.0	EC000058	ETIM 4.0	EC000058
ETIM 5.0	EC000058	ETIM 6.0	EC000261
UNSPSC	31-26-15-02	eClass 5.1	27-14-91-07
eClass 6.2	27-14-91-07	eClass 7.1	27-14-91-07
eClass 8.1	27-14-91-07	eClass 9.0	27-18-01-01
eClass 9.1	27-18-92-90		

**Approvals**

Approvals



ROHS Conform

**Downloads**

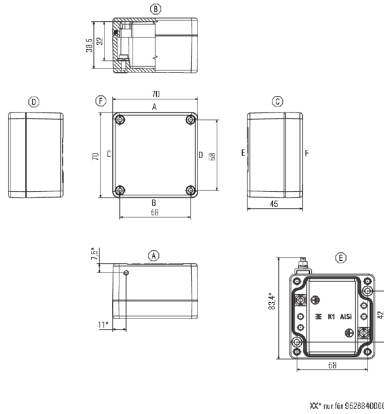
Approval/Certificate/Document of Conformity	<a href="#">EU Declaration of Conformity - Klippon K Empty Enclosures - DoC DE PS2410_160412_001ISS01</a>
Brochure/Catalogue	<a href="#">MB KLIPPON ENCL.TECN EN</a> <a href="#">CAT 5 ENCL 17/18 EN</a> <a href="#">FL RAILWAY 2014 EN</a>
Engineering Data	<a href="#">EPLAN, WSCAD</a>
Engineering Data	<a href="#">STEP</a>
Tender specification	<a href="#">Klippon K1 RAL7001_9529120000_DE</a> <a href="#">Klippon K1 RAL7001_9529120000_EN</a>
User Documentation	<a href="#">MB KLIPPON ENCL.TECN DE</a> <a href="#">Assembly guidelines - empty enclosures</a>

**Klippon K (aluminium empty enclosure)  
KLIPPON K1 RAL7001**

**Weidmüller Interface GmbH & Co. KG**  
 Klingenbergstraße 16  
 D-32758 Detmold  
 Germany  
 Fon: +49 5231 14-0  
 Fax: +49 5231 14-292083  
 www.weidmueller.com

**Drawings**

**Dimensioned drawing**



XX\* nur für 6E28940000

## X-ON Electronics

Largest Supplier of Electrical and Electronic Components

*Click to view similar products for [Enclosures, Boxes, & Cases](#) category:*

*Click to view products by [Weidmuller](#) manufacturer:*

Other Similar products are found below :

[CR-425 PAINTED](#) [585-R-WH-PK](#) [M-10-PLATED](#) [60221-01](#) [60566-01-000](#) [HPL-9VB BATT DOOR](#) [M-16-LID-PLATED](#) [M18-PLTD](#) [M-21-LID-PLATED](#) [M-21-PLATED](#) [M-23-PLATED](#) [CU-281-MB](#) [6711GSKT](#) [71884-29-028](#) [LH45-100 Black](#) [7200B](#) [72868-510-000](#) [CNS-0000 Black](#) [72883-510-000](#) [CNS-0101 Black](#) [72906-510-000](#) [CNS-0407 Black](#) [73091-510-000](#) [CNM-0000-BLACK Kit](#) [73092-510-000](#) [CNM-0101 Black](#) [73108-510-000](#) [CNL-0303 Black](#) [73395-510-039](#) [CNS-0006 Bone](#) [74257-510-000](#) [CNL-0004](#) [MDC-1183-PLAIN-ALUM](#) [MDC-1183-PTD](#) [MDC-13104-PLAIN-ALUM](#) [MDC-211 - PAINTED IVORY/BEIGE](#) [MDC-321-PTD](#) [MDC-432-PLAIN-ALUM](#) [MDC-973-PTD](#) [76](#) [77153-01-028](#) [FLX6030](#) [83535-01-508](#) [PS-11296-G](#) [PS-11298-B](#) [116-508](#) [120-407](#) [120-412](#) [120-909](#) [120-455](#) [R272-100-000](#) [120-910](#) [R501-001-010](#) [R508-080-000](#) [R508-160-000](#) [R530-120-000](#) [R530-122-000](#) [R530-200-000](#) [R531-160-000](#) [R531-200-000](#) [R582-080-100](#)