

## Klippon K (aluminium empty enclosure) KLIPPON K21

**Weidmüller Interface GmbH & Co. KG**  
Klingenbergstraße 16  
D-32758 Detmold  
Germany  
Fon: +49 5231 14-0  
Fax: +49 5231 14-292083  
www.weidmueller.com



The Klippon® brand has long stood for competence and quality in housings – particularly when turnkey, customer-specific solutions for standard industrial applications and applications in explosive risk zones are concerned.

Improved products that meet all application requirements: this was Weidmüller's aim when modernising and upgrading the Klippon® K enclosure series. No matter what kind of application the customer is planning; Weidmüller is able to provide a wide range of aluminium enclosures precisely fitting the customer's requirements.

- Available in two surface finishes: natural and powder-coated (RAL 7001)
- Available with moulded silicone or chloroprene gasket as standard
- Uniform Torx slotted screw head for 19 enclosure sizes
- Mounting holes outside of the gasket area
- High IP protection classes: IP66, IP67 and IP68
- Impact resistance of up to 7 (10) Joules
- The enclosures are approved according ATEX, IECEx, GOST Ex, GOST, cULus, Russian Maritime Register and Germanischer Lloyd as well as the empty enclosure standard.
- Alloy is resistant to salt water
- Standardised distributor enclosures with threaded holes and a variety of terminal configurations

### General ordering data

|            |  |
|------------|--|
| Type       | KLIPPON K21  |
| Order No.  | <a href="#">0573400000</a>   |
| Version    | Klippon K (aluminium empty enclosure), Empty enclosure, Aluminium enclosure, Height: 80 mm, Width: 125 mm, Depth: 57 mm, Material: Aluminium AlSi12, untreated, silver |
| GTIN (EAN) | 4008190020750  |
| Qty.       | 5 pc(s).   |

**Klippon K (aluminium empty enclosure)  
KLIPPON K21**

**Weidmüller Interface GmbH & Co. KG**  
Klingenbergstraße 16  
D-32758 Detmold  
Germany  
Fon: +49 5231 14-0  
Fax: +49 5231 14-292083  
www.weidmueller.com

**Technical data**
**Dimensions and weights**

|                            |        |                             |            |
|----------------------------|--------|-----------------------------|------------|
| Width                      | 125 mm | Width (inches)              | 4.921 inch |
| Height                     | 80 mm  | Height (inches)             | 3.15 inch  |
| Depth                      | 57 mm  | Depth (inches)              | 2.244 inch |
| Mounting dimension - width | 113 mm | Mounting dimension - height | 52 mm      |
| Weight                     | 400 g  | Net weight                  | 431.6 g    |

**Environmental Product Compliance**

REACH SVHC Lead 7439-92-1

**Cable glands, left**

|     |   |     |   |
|-----|---|-----|---|
| M12 | 2 | M16 | 2 |
| M20 | 1 |     |   |

**Cable glands, right**

|     |   |     |   |
|-----|---|-----|---|
| M12 | 2 | M16 | 2 |
| M20 | 1 |     |   |

**Cable glands, top/bottom**

|     |   |     |   |
|-----|---|-----|---|
| M12 | 6 | M16 | 4 |
| M20 | 3 | M25 | 2 |

**Certificate numbers enclosure**

|                             |            |                            |              |
|-----------------------------|------------|----------------------------|--------------|
| Certificate No. (GERMLLOYD) | TAE00002SM | Certificate No. (MARITREG) | 14.40040.250 |
| Certificate no. (cULus)     | E197061    |                            |              |

**General information**

|                             |  |                                 |  |
|-----------------------------|--|---------------------------------|--|
| Areas of use                | Process industry, Transportation, Marine engineering, Packaging industry, Harbour facilities, Machine construction | Material thickness              | 4 mm                                     |
| Material thickness of cover | 2.5 mm   | Material thickness of enclosure | 4 mm                                     |
| Material                    | Aluminium AlSi12   | Seal material                   | Chloroprene                              |
| Surface finish              | untreated  | Operating temperature, min.     | -40 °C                                   |
| Operating temperature, max. | 80 °C  | Impact resistance               | 10.00 J                                  |
| Protection degree           | IP66, IP67, IP68   | Note: protection class          | IP68 (t=72h, h=1m)                       |
| Enclosure attachment        | Holes 4 mm   | Lid attachment                  | M4 torx stainless steel screws with slot |
| Integral fixing             | Threaded holes M4  |                                 |  |

**horizontal assembly**

|                             |      |               |      |
|-----------------------------|------|---------------|------|
| WDU 2,5 / ZDU 2,5 / IDU 2,5 | 1x15 | WDU 4 / ZDU 4 | 1x12 |
|-----------------------------|------|---------------|------|

**vertical assembly**

|                             |   |               |   |
|-----------------------------|---|---------------|---|
| WDU 2,5 / ZDU 2,5 / IDU 2,5 | * | WDU 4 / ZDU 4 | * |
|-----------------------------|---|---------------|---|

**Klippon K (aluminium empty enclosure)  
KLIPPON K21**

**Weidmüller Interface GmbH & Co. KG**  
Klingenbergstraße 16  
D-32758 Detmold  
Germany  
Fon: +49 5231 14-0  
Fax: +49 5231 14-292083  
www.weidmueller.com

**Technical data**

**Classifications**

|            |             |            |             |
|------------|-------------|------------|-------------|
| ETIM 3.0   | EC000058    | ETIM 4.0   | EC000058    |
| ETIM 5.0   | EC000058    | ETIM 6.0   | EC000261    |
| UNSPSC     | 31-26-15-02 | eClass 5.1 | 27-14-91-07 |
| eClass 6.2 | 27-14-91-07 | eClass 7.1 | 27-14-91-07 |
| eClass 8.1 | 27-14-91-07 | eClass 9.0 | 27-18-01-01 |
| eClass 9.1 | 27-18-92-90 |            |             |

**Approvals**

Approvals



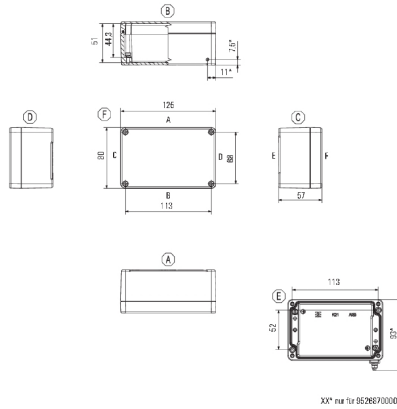
ROHS Conform

**Downloads**

|   |  |
|---|--|
| Approval/Certificate/Document of Conformity | <a href="#">EU Declaration of Conformity - Klippon K Empty Enclosures - DoC DE PS2410 160412 001ISS01</a>            |
| Brochure/Catalogue                          | <a href="#">MB KLIPPON ENCL.TECN EN</a><br><a href="#">CAT 5 ENCL 17/18 EN</a><br><a href="#">FL RAILWAY 2014 EN</a> |
| Engineering Data                            | <a href="#">EPLAN, WSCAD</a>   |
| Engineering Data                            | <a href="#">STEP</a>   |
| Tender specification                        | <a href="#">Klippon K21_0573400000_DE</a><br><a href="#">Klippon K21_0573400000_EN</a>                               |
| User Documentation                          | <a href="#">MB KLIPPON ENCL.TECN DE</a><br><a href="#">Assembly guidelines - empty enclosures</a>                    |

**Klippon K (aluminium empty enclosure)  
KLIPPON K21**

**Weidmüller Interface GmbH & Co. KG**  
Klingenbergstraße 16  
D-32758 Detmold  
Germany  
Fon: +49 5231 14-0  
Fax: +49 5231 14-292083  
www.weidmueller.com

**Drawings****Dimensioned drawing**

## X-ON Electronics

Largest Supplier of Electrical and Electronic Components

*Click to view similar products for [Enclosures, Boxes, & Cases](#) category:*

*Click to view products by [Weidmuller](#) manufacturer:*

Other Similar products are found below :

[CR-425 PAINTED](#) [585-R-WH-PK](#) [M-10-PLATED](#) [60221-01](#) [60566-01-000](#) [HPL-9VB BATT DOOR](#) [M-16-LID-PLATED](#) [M18-PLTD](#) [M-21-LID-PLATED](#) [M-21-PLATED](#) [M-23-PLATED](#) [CU-281-MB](#) [6711GSKT](#) [71884-29-028](#) [LH45-100 Black](#) [7200B](#) [72868-510-000](#) [CNS-0000 Black](#) [72883-510-000](#) [CNS-0101 Black](#) [72906-510-000](#) [CNS-0407 Black](#) [73091-510-000](#) [CNM-0000-BLACK Kit](#) [73092-510-000](#) [CNM-0101 Black](#) [73108-510-000](#) [CNL-0303 Black](#) [73395-510-039](#) [CNS-0006 Bone](#) [74257-510-000](#) [CNL-0004](#) [MDC-1183-PLAIN-ALUM](#) [MDC-1183-PTD](#) [MDC-13104-PLAIN-ALUM](#) [MDC-211 - PAINTED IVORY/BEIGE](#) [MDC-321-PTD](#) [MDC-432-PLAIN-ALUM](#) [MDC-973-PTD](#) [76](#) [77153-01-028](#) [FLX6030](#) [83535-01-508](#) [PS-11296-G](#) [PS-11298-B](#) [116-508](#) [120-407](#) [120-412](#) [120-909](#) [120-455](#) [R272-100-000](#) [120-910](#) [R501-001-010](#) [R508-080-000](#) [R508-160-000](#) [R530-120-000](#) [R530-122-000](#) [R530-200-000](#) [R531-160-000](#) [R531-200-000](#) [R582-080-100](#)