

Klippon K (aluminium empty enclosure) KLIPPON K52

Weidmüller Interface GmbH & Co. KG
Klingenbergstraße 16
D-32758 Detmold
Germany
Fon: +49 5231 14-0
Fax: +49 5231 14-292083
www.weidmueller.com



The Klippon® brand has long stood for competence and quality in housings – particularly when turnkey, customer-specific solutions for standard industrial applications and applications in explosive risk zones are concerned.

Improved products that meet all application requirements: this was Weidmüller's aim when modernising and upgrading the Klippon® K enclosure series. No matter what kind of application the customer is planning; Weidmüller is able to provide a wide range of aluminium enclosures precisely fitting the customer's requirements.

- Available in two surface finishes: natural and powder-coated (RAL 7001)
- Available with moulded silicone or chloroprene gasket as standard
- Uniform Torx slotted screw head for 19 enclosure sizes
- Mounting holes outside of the gasket area
- High IP protection classes: IP66, IP67 and IP68
- Impact resistance of up to 7 (10) Joules
- The enclosures are approved according ATEX, IECEx, GOST Ex, GOST, cULus, Russian Maritime Register and Germanischer Lloyd as well as the empty enclosure standard.
- Alloy is resistant to salt water
- Standardised distributor enclosures with threaded holes and a variety of terminal configurations

General ordering data

Type	KLIPPON K52
Order No.	1565290000
Version	Klippon K (aluminium empty enclosure), Empty enclosure, Aluminium enclosure, Height: 160 mm, Width: 160 mm, Depth: 91 mm, Material: Aluminium AlSi12, untreated, silver
GTIN (EAN)	4008190030070
Qty.	1 pc(s).

**Klippon K (aluminium empty enclosure)
KLIPPON K52**

Weidmüller Interface GmbH & Co. KG
Klingenbergstraße 16
D-32758 Detmold
Germany
Fon: +49 5231 14-0
Fax: +49 5231 14-292083
www.weidmueller.com

Technical data
Dimensions and weights

Width	160 mm	Width (inches)	6.299 inch
Height	160 mm	Height (inches)	6.299 inch
Depth	91 mm	Depth (inches)	3.583 inch
Mounting dimension - width	140 mm	Mounting dimension - height	110 mm
Weight	1,480 g	Net weight	1,594 g

Environmental Product Compliance

REACH SVHC Lead 7439-92-1

Cable glands, left

M12	8	M16	5
M20	3	M25	2
M32	1		

Cable glands, right

M12	8	M16	5
M20	3	M25	2
M32	1		

Cable glands, top/bottom

M12	14	M16	8
M20	5	M25	3
M32	2	M40	1

Certificate numbers enclosure

Certificate No. (GERMLLOYD)	TAE00002SM	Certificate No. (MARITREG)	14.40040.250
Certificate no. (cULus)	E197061		

General information

Areas of use	Process industry, Transportation, Marine engineering, Packaging industry, Harbour facilities, Machine construction	Material thickness	4.5 mm
Material thickness of cover	4 mm	Material thickness of enclosure	4.5 mm
Material	Aluminium AlSi12	Seal material	Chloroprene
Surface finish	untreated	Operating temperature, min.	-40 °C
Operating temperature, max.	80 °C	Impact resistance	10.00 J
Protection degree	IP66, IP67, IP68	Note: protection class	IP68 (t=72h, h=1m)
Enclosure attachment	Holes 6 mm	Lid attachment	M6 torx stainless steel screws with slot
Integral fixing	Threaded holes M5		

horizontal assembly

WDU 10 / ZDU 10	1x9	WDU 2,5 / ZDU 2,5 / IDU 2,5	1x18
WDU 4 / ZDU 4	1x15	WDU 6 / ZDU 6	1x11

**Klippon K (aluminium empty enclosure)
KLIPPON K52**

Weidmüller Interface GmbH & Co. KG
Klingenbergstraße 16
D-32758 Detmold
Germany
Fon: +49 5231 14-0
Fax: +49 5231 14-292083
www.weidmueller.com

Technical data

vertical assembly

WDU 2,5 / ZDU 2,5 / IDU 2,5

*

WDU 4 / ZDU 4

*

Classifications

ETIM 3.0	EC000058	ETIM 4.0	EC000058
ETIM 5.0	EC000058	ETIM 6.0	EC000261
UNSPSC	31-26-15-02	eClass 5.1	27-14-91-07
eClass 6.2	27-14-91-07	eClass 7.1	27-14-91-07
eClass 8.1	27-14-91-07	eClass 9.0	27-18-01-01
eClass 9.1	27-18-92-90		

Approvals

Approvals



ROHS

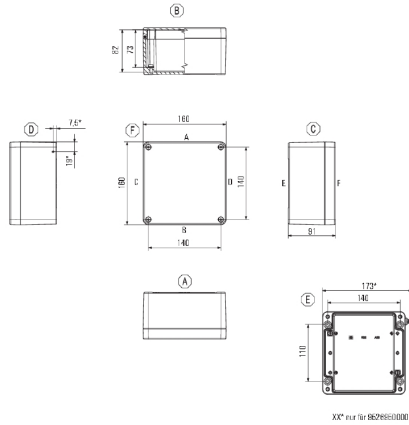
Conform

Downloads

Approval/Certificate/Document of Conformity	EU Declaration of Conformity - Klippon K Empty Enclosures - DoC DE PS2410 160412 001ISS01
Brochure/Catalogue	MB KLIPPON ENCL.TECN EN CAT 5 ENCL 17/18 EN FL RAILWAY 2014 EN
Engineering Data	EPLAN, WSCAD
Engineering Data	STEP
Tender specification	Klippon K52_1565290000_DE Klippon K52_1565290000_EN
User Documentation	MB KLIPPON ENCL.TECN DE Assembly guidelines - empty enclosures

**Klippon K (aluminium empty enclosure)
KLIPPON K52**

Weidmüller Interface GmbH & Co. KG
Klingenbergstraße 16
D-32758 Detmold
Germany
Fon: +49 5231 14-0
Fax: +49 5231 14-292083
www.weidmueller.com

Drawings**Dimensioned drawing**

X-ON Electronics

Largest Supplier of Electrical and Electronic Components

Click to view similar products for [Enclosures, Boxes, & Cases](#) category:

Click to view products by [Weidmuller](#) manufacturer:

Other Similar products are found below :

[CR-425 PAINTED](#) [585-R-WH-PK](#) [M-10-PLATED](#) [60221-01](#) [60566-01-000](#) [HPL-9VB BATT DOOR](#) [M-16-LID-PLATED](#) [M18-PLTD](#) [M-21-LID-PLATED](#) [M-21-PLATED](#) [M-23-PLATED](#) [CU-281-MB](#) [6711GSKT](#) [71884-29-028](#) [LH45-100 Black](#) [7200B](#) [72868-510-000](#) [CNS-0000 Black](#) [72883-510-000](#) [CNS-0101 Black](#) [72906-510-000](#) [CNS-0407 Black](#) [73091-510-000](#) [CNM-0000-BLACK Kit](#) [73092-510-000](#) [CNM-0101 Black](#) [73108-510-000](#) [CNL-0303 Black](#) [73395-510-039](#) [CNS-0006 Bone](#) [74257-510-000](#) [CNL-0004](#) [MDC-1183-PLAIN-ALUM](#) [MDC-1183-PTD](#) [MDC-13104-PLAIN-ALUM](#) [MDC-211 - PAINTED IVORY/BEIGE](#) [MDC-321-PTD](#) [MDC-432-PLAIN-ALUM](#) [MDC-973-PTD](#) [76](#) [77153-01-028](#) [FLX6030](#) [83535-01-508](#) [PS-11296-G](#) [PS-11298-B](#) [116-508](#) [120-407](#) [120-412](#) [120-909](#) [120-455](#) [R272-100-000](#) [120-910](#) [R501-001-010](#) [R508-080-000](#) [R508-160-000](#) [R530-120-000](#) [R530-122-000](#) [R530-200-000](#) [R531-160-000](#) [R531-200-000](#) [R582-080-100](#)