

Klippon K (aluminium empty enclosure) KLIPPON K7 EX

Weidmüller Interface GmbH & Co. KG
Klingenbergstraße 16
D-32758 Detmold
Germany
Fon: +49 5231 14-0
Fax: +49 5231 14-292083
www.weidmueller.com



The Klippon® brand has long stood for competence and quality in housings – particularly when turnkey, customer-specific solutions for standard industrial applications and applications in explosive risk zones are concerned.

Improved products that meet all application requirements: this was Weidmüller's aim when modernising and upgrading the Klippon® K enclosure series. No matter what kind of application the customer is planning; Weidmüller is able to provide a wide range of aluminium enclosures precisely fitting the customer's requirements.

- Available in two surface finishes: natural and powder-coated (RAL 7001)
- Available with moulded silicone or chloroprene gasket as standard
- Uniform Torx slotted screw head for 19 enclosure sizes
- Mounting holes outside of the gasket area
- High IP protection classes: IP66, IP67 and IP68
- Impact resistance of up to 7 (10) Joules
- The enclosures are approved according ATEX, IECEx, GOST Ex, GOST, cULus, Russian Maritime Register and Germanischer Lloyd as well as the empty enclosure standard.
- Alloy is resistant to salt water
- Standardised distributor enclosures with threaded holes and a variety of terminal configurations

General ordering data

Type	KLIPPON K7 EX
Order No.	9526980000
Version	Klippon K (aluminium empty enclosure), Empty enclosure, Aluminium enclosure, Height: 160 mm, Width: 350 mm, Depth: 91 mm, Material: Aluminium AISi12, untreated, silver
GTIN (EAN)	4032248019045
Qty.	1 pc(s).

**Klippon K (aluminium empty enclosure)
KLIPPON K7 EX**

Weidmüller Interface GmbH & Co. KG
 Klingenbergstraße 16
 D-32758 Detmold
 Germany
 Fon: +49 5231 14-0
 Fax: +49 5231 14-292083
 www.weidmueller.com

Technical data**Dimensions and weights**

Width	350 mm	Width (inches)	13.78 inch
Height	160 mm	Height (inches)	6.299 inch
Depth	91 mm	Depth (inches)	3.583 inch
Mounting dimension - width	330 mm	Mounting dimension - height	140 mm
Weight	2,870 g	Net weight	2,710 g

Environmental Product Compliance

REACH SVHC Lead 7439-92-1

Cable glands, left

M12	8	M16	6
M20	3	M25	2
M32	2	M40	1

Cable glands, right

M12	8	M16	6
M20	3	M25	2
M32	2	M40	1

Cable glands, top/bottom

M12	42	M16	26
M20	17	M25	10
M32	6	M40	5

Certificate numbers enclosure

Certificate no. assembled enclosure (ATEX)	IBExU12ATEX1145 X	Certificate no. empty enclosure (ATEX)	IBExU12ATEX1144 U
Certificate no. assembled enclosure (IECEX)	IECEX IBE 13.0002X	Certificate no. empty enclosure (IECEX)	IECEX IBE 13.0001U
Certificate no., assembled enclosure (EAC)	RU C-DE.ГБ08.B.01328	Certificate no., empty enclosure (EAC)	RU C-DE.ГБ08.B.00472
Certificate No. (GERMLLOYD)	TAE00002SM	Certificate No. (MARITREG)	14.40040.250

General information

Areas of use	Explosive risk zone, Process industry, Transportation, Packaging industry, Marine engineering, Machine construction, Harbour facilities	Material thickness	4.6 mm
Material thickness of cover	3 mm	Material thickness of enclosure	4.6 mm
Standards	IEC 60079-0, IEC 60079-7, IEC 60079-31	Torque for lid screws	2.5 Nm
Material	Aluminium AISi12	Seal material	Silicone
Surface finish	untreated	Operating temperature, min.	-60 °C
Operating temperature, max.	135 °C	Impact resistance	7.00 J
Protection degree	IP66, IP67	Enclosure attachment	Holes 6 mm
Lid attachment	M5 torx stainless steel screws with slot	Integral fixing	Threaded holes M5

Creation date April 18, 2019 12:56:01 PM CEST

**Klippon K (aluminium empty enclosure)
KLIPPON K7 EX**

Weidmüller Interface GmbH & Co. KG
 Klingenbergstraße 16
 D-32758 Detmold
 Germany
 Fon: +49 5231 14-0
 Fax: +49 5231 14-292083
 www.weidmueller.com

Technical data**horizontal assembly**

WDU 10 / ZDU 10	1x27	WDU 16 / ZDU 16	1x23
WDU 2,5 / ZDU 2,5 / IDU 2,5	1x55	WDU 4 / ZDU 4	1x46
WDU 6 / ZDU 6	1x34		

vertical assembly

WDU 2,5 / ZDU 2,5 / IDU 2,5	*	WDU 4 / ZDU 4	*
-----------------------------	---	---------------	---

Classifications

ETIM 3.0	EC000049	ETIM 4.0	EC002503
ETIM 5.0	EC002503	ETIM 6.0	EC002503
UNSPSC	31-26-15-02	eClass 5.1	27-18-05-02
eClass 6.2	27-18-05-02	eClass 7.1	27-18-05-02
eClass 8.1	27-18-05-02	eClass 9.0	27-18-05-02
eClass 9.1	27-18-05-02		

Approvals

Approvals



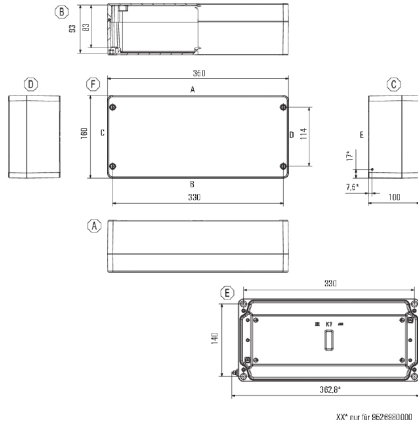
ROHS Conform

Downloads

Approval/Certificate/Document of Conformity	Attestation of Conformity - Klippon K Empty Enclosures - AoC DE PS2410 160308 001ISS01 EU Declaration of Conformity - Klippon K Empty Enclosures - DoC DE PS2410 160412 001ISS01
Brochure/Catalogue	MB OVERV. PROCESS WD DE MB KLIPPON ENCL.TECN EN MB PROCESS EN CAT 5 ENCL 17/18 EN FL RAILWAY 2014 EN
Engineering Data	EPLAN.WSCAD
Engineering Data	STEP
Tender specification	Klippon K7 Ex_9526980000_DE Klippon K7 Ex_9526980000_EN
User Documentation	MB KLIPPON ENCL.TECN DE Assembly guidelines - empty enclosures

**Klippon K (aluminium empty enclosure)
KLIPPON K7 EX**

Weidmüller Interface GmbH & Co. KG
Klingenbergstraße 16
D-32758 Detmold
Germany
Fon: +49 5231 14-0
Fax: +49 5231 14-292083
www.weidmueller.com

Drawings**Dimensioned drawing**

X-ON Electronics

Largest Supplier of Electrical and Electronic Components

Click to view similar products for [Enclosures, Boxes, & Cases](#) category:

Click to view products by [Weidmuller](#) manufacturer:

Other Similar products are found below :

[CR-425 PAINTED](#) [585-R-WH-PK](#) [M-10-PLATED](#) [60221-01](#) [60566-01-000](#) [HPL-9VB BATT DOOR](#) [M-16-LID-PLATED](#) [M18-PLTD](#) [M-21-LID-PLATED](#) [M-21-PLATED](#) [M-23-PLATED](#) [CU-281-MB](#) [6711GSKT](#) [71884-29-028](#) [LH45-100 Black](#) [7200B](#) [72868-510-000](#) [CNS-0000 Black](#) [72883-510-000](#) [CNS-0101 Black](#) [72906-510-000](#) [CNS-0407 Black](#) [73091-510-000](#) [CNM-0000-BLACK Kit](#) [73092-510-000](#) [CNM-0101 Black](#) [73108-510-000](#) [CNL-0303 Black](#) [73395-510-039](#) [CNS-0006 Bone](#) [74257-510-000](#) [CNL-0004](#) [MDC-1183-PLAIN-ALUM](#) [MDC-1183-PTD](#) [MDC-13104-PLAIN-ALUM](#) [MDC-211 - PAINTED IVORY/BEIGE](#) [MDC-321-PTD](#) [MDC-432-PLAIN-ALUM](#) [MDC-973-PTD](#) [76](#) [77153-01-028](#) [FLX6030](#) [83535-01-508](#) [PS-11296-G](#) [PS-11298-B](#) [116-508](#) [120-407](#) [120-412](#) [120-909](#) [120-455](#) [R272-100-000](#) [120-910](#) [R501-001-010](#) [R508-080-000](#) [R508-160-000](#) [R530-120-000](#) [R530-122-000](#) [R530-200-000](#) [R531-160-000](#) [R531-200-000](#) [R582-080-100](#)