

Klippon POK (polyester empty enclosure) KLIPPON POK 081906

Weidmüller Interface GmbH & Co. KG
Klingenbergstraße 16
D-32758 Detmold
Germany
Fon: +49 5231 14-0
Fax: +49 5231 14-292083
www.weidmueller.com



Klippon® POK – polyester enclosure

The glass-fibre reinforced polyester enclosures of the Klippon® POK range offer a high-quality solution for protecting electrical components. These enclosures are ideal wherever corrosion resistance, shock resistance and a high degree of protection are required.

Features:

- glass-fibre reinforced polyester
- 17 sizes
- Two standard colours: grey (similar to RAL 7001) and black (similar to RAL 9011)
- Cover with stainless steel screws in cross-head / slotted design
- Moulded gasket made of silicone or chloroprene
- Fixing holes outside the sealed area
- Mounting directly in the enclosure or using an internal mounting plate
- Direct wall mounting possible using fixing holes or mounting feet
- Fastening thread to attach mounting rails and plates
- Weidmüller can manufacture and supply this enclosure to match customer specifications - fitted with all necessary terminals and cable glands.

General ordering data

Type	KLIPPON POK 081906
Order No.	1305840000
Version	Klippon POK (polyester empty enclosure), Empty enclosure, Height: 75 mm, Width: 190 mm, Depth: 55 mm, Material: Glass fibre-reinforced polyester, untreated, polished, Silver grey
GTIN (EAN)	4050118104875
Qty.	1 pc(s).
Required tool	9008540000

**Klippon POK (polyester empty enclosure)
KLIPPON POK 081906**

Weidmüller Interface GmbH & Co. KG
 Klingenbergstraße 16
 D-32758 Detmold
 Germany
 Fon: +49 5231 14-0
 Fax: +49 5231 14-292083
 www.weidmueller.com

Technical data**Dimensions and weights**

Width	190 mm	Width (inches)	7.48 inch
Height	75 mm	Height (inches)	2.953 inch
Height of lowest version	55 mm	Depth	55 mm
Depth (inches)	2.165 inch	Mounting dimension - width	178 mm
Mounting dimension - height	45 mm	Net weight	454 g

Cable glands, left

M12	1	M16	1
M20	1		

Cable glands, right

M12	1	M16	1
M20	1		

Cable glands, top/bottom

M12	14	M16	6
M20	5	M25	4

Certificate numbers enclosure

Certificate no., assembled enclosure (EAC)	RU C-DE.ГБ08.B.01328	Certificate no., empty enclosure (EAC)	RU C-DE.ГБ08.B.00472
Certificate No. (GERMLLOYD)	TAE00002R2	Certificate no. (cULus)	E256877

General information

Areas of use	Harbour facilities, Machine construction, Process industry, Transportation	Installation advice	Direct mounting, Mounting straps
Material thickness	4.44 mm	Material thickness of cover	3.7 mm
Material thickness of enclosure	4.44 mm	Standards	DIN EN 62208 - Empty enclosure standard
Torque for lid screws	2.5 Nm	UL 94 flammability rating	V-0
Material	Glass fibre-reinforced polyester	Seal material	Chloroprene
Surface finish	untreated, polished	Operating temperature, min.	-40 °C
Operating temperature, max.	100 °C	Impact resistance	IK 08 according to (IEC 62262 and DIN EN 50102)
Protection degree	IP66	Enclosure attachment	Installation through the housing rear wall, Fixing lugs
Lid attachment	Slotted/Phillips screws		

General information on accessories

Material	Glass fibre-reinforced polyester	Material thickness	4.44 mm
Mounting dimension - height	45 mm	Mounting dimension - width	178 mm
Surface finish	untreated, polished		

**Klippon POK (polyester empty enclosure)
KLIPPON POK 081906**

Weidmüller Interface GmbH & Co. KG
Klingenbergstraße 16
D-32758 Detmold
Germany
Fon: +49 5231 14-0
Fax: +49 5231 14-292083
www.weidmueller.com

Technical data
horizontal assembly

WDU 2,5 / ZDU 2,5 / IDU 2,5	1x26	WDU 4 / ZDU 4	1x22
-----------------------------	------	---------------	------

vertical assembly

WDU 2,5 / ZDU 2,5 / IDU 2,5	*	WDU 4 / ZDU 4	*
-----------------------------	---	---------------	---

Classifications

ETIM 5.0	EC002503	ETIM 6.0	EC000261
eClass 6.2	27-18-05-02	eClass 7.1	27-18-05-02
eClass 8.1	27-18-05-02	eClass 9.0	27-18-01-01
eClass 9.1	27-18-92-90		

Approvals

Approvals



ROHS	Conform
------	---------

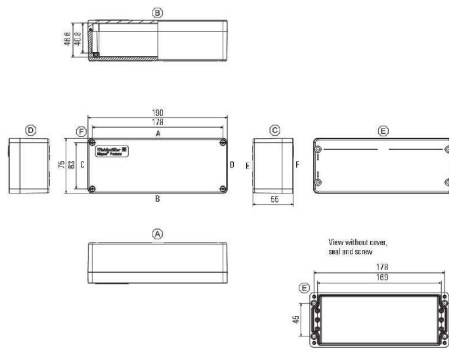
Downloads

Approval/Certificate/Document of Conformity	EU Declaration of Conformity - Klippon POK Empty Enclosures IND - DoC DE PS2401 160412 001ISS01
Brochure/Catalogue	MB KLIPPON ENCL.TECN EN CAT 5 ENCL 17/18 EN FL KLIPPON POK EN FL SHIPBUILDING 2016 EN
Engineering Data	EPLAN.WSCAD
Engineering Data	STEP
Tender specification	Klippon POK 081906_1305840000_DE Klippon POK 081906_1305840000_EN
User Documentation	MB KLIPPON ENCL.TECN DE Assembly guidelines - empty enclosures

**Klippon POK (polyester empty enclosure)
KLIPPON POK 081906**

Weidmüller Interface GmbH & Co. KG
Klingenbergstraße 16
D-32758 Detmold
Germany
Fon: +49 5231 14-0
Fax: +49 5231 14-292083
www.weidmueller.com

Drawings



X-ON Electronics

Largest Supplier of Electrical and Electronic Components

Click to view similar products for [Enclosures, Boxes, & Cases](#) category:

Click to view products by [Weidmuller](#) manufacturer:

Other Similar products are found below :

[CR-425 PAINTED](#) [585-R-WH-PK](#) [M-10-PLATED](#) [60221-01](#) [60566-01-000](#) [HPL-9VB BATT DOOR](#) [M-16-LID-PLATED](#) [M18-PLTD](#) [M-21-LID-PLATED](#) [M-21-PLATED](#) [M-23-PLATED](#) [CU-281-MB](#) [6711GSKT](#) [71884-29-028](#) [LH45-100 Black](#) [7200B](#) [72868-510-000](#) [CNS-0000 Black](#) [72883-510-000](#) [CNS-0101 Black](#) [72906-510-000](#) [CNS-0407 Black](#) [73091-510-000](#) [CNM-0000-BLACK Kit](#) [73092-510-000](#) [CNM-0101 Black](#) [73108-510-000](#) [CNL-0303 Black](#) [73395-510-039](#) [CNS-0006 Bone](#) [74257-510-000](#) [CNL-0004](#) [MDC-1183-PLAIN-ALUM](#) [MDC-1183-PTD](#) [MDC-13104-PLAIN-ALUM](#) [MDC-211 - PAINTED IVORY/BEIGE](#) [MDC-321-PTD](#) [MDC-432-PLAIN-ALUM](#) [MDC-973-PTD](#) [76](#) [77153-01-028](#) [FLX6030](#) [83535-01-508](#) [PS-11296-G](#) [PS-11298-B](#) [116-508](#) [120-407](#) [120-412](#) [120-909](#) [120-455](#) [R272-100-000](#) [120-910](#) [R501-001-010](#) [R508-080-000](#) [R508-160-000](#) [R530-120-000](#) [R530-122-000](#) [R530-200-000](#) [R531-160-000](#) [R531-200-000](#) [R582-080-100](#)