

Klippon POK (polyester empty enclosure) KLIPPON POK 404012 EX

Weidmüller Interface GmbH & Co. KG
Klingenbergstraße 16
D-32758 Detmold
Germany
Fon: +49 5231 14-0
Fax: +49 5231 14-292083
www.weidmueller.com



Klippon® POK – polyester enclosure

The glass-fibre reinforced polyester enclosures of the Klippon® POK range offer a high-quality solution for protecting electrical components. These enclosures are ideal wherever corrosion resistance, shock resistance and a high degree of protection are required.

Features:

- glass-fibre reinforced polyester
- 17 sizes
- Two standard colours: grey (similar to RAL 7001) and black (similar to RAL 9011)
- Cover with stainless steel screws in cross-head / slotted design
- Moulded gasket made of silicone or chloroprene
- Fixing holes outside the sealed area
- Mounting directly in the enclosure or using an internal mounting plate
- Direct wall mounting possible using fixing holes or mounting feet
- Fastening thread to attach mounting rails and plates
- Weidmüller can manufacture and supply this enclosure to match customer specifications - fitted with all necessary terminals and cable glands.

General ordering data

Type	KLIPPON POK 404012 EX
Order No.	1306150000
Version	Klippon POK (polyester empty enclosure), Empty enclosure, Height: 405 mm, Width: 400 mm, Depth: 120 mm, Material: Glass fibre-reinforced polyester, untreated, polished, black
GTIN (EAN)	4050118108293
Qty.	1 pc(s).
Required tool	9008540000

**Klippon POK (polyester empty enclosure)
KLIPPON POK 404012 EX**

Weidmüller Interface GmbH & Co. KG
Klingenbergstraße 16
D-32758 Detmold
Germany
Fon: +49 5231 14-0
Fax: +49 5231 14-292083
www.weidmueller.com

Technical data
Dimensions and weights

Width	400 mm	Width (inches)	15.748 inch
Height	405 mm	Height (inches)	15.945 inch
Height of lowest version	120 mm	Depth	120 mm
Depth (inches)	4.724 inch	Mounting dimension - width	380 mm
Mounting dimension - height	355 mm	Net weight	5,550 g

Cable glands, left

M12	60	M16	39
M20	30	M25	18
M32	7	M40	5
M50	4		

Cable glands, right

M12	60	M16	39
M20	30	M25	18
M32	7	M40	5
M50	4		

Cable glands, top/bottom

M12	62	M16	54
M20	33	M25	18
M32	14	M40	6
M50	4		

Certificate numbers enclosure

Certificate no. assembled enclosure (ATEX)	IBExU13ATEX1004 X	Certificate no. empty enclosure (ATEX)	IBExU13ATEX1030 U
Certificate no. assembled enclosure (IECEX)	IECEX IBE 13.0004X	Certificate no. empty enclosure (IECEX)	IECEX IBE 13.0003U
Certificate no., assembled enclosure (EAC)	RU C-DE.ГБ08.B.01328	Certificate no., empty enclosure (EAC)	RU C-DE.ГБ08.B.00472
Certificate no. assembled enclosure (AEx)	E223792	Certificate no. empty enclosure (AEx)	E223792
Certificate no., assembled enclosure (KOSHA)	16-AV4BO-0246X	Certificate No. (GERMLLOYD)	TAE00002R2
Certificate No. (MARITREG)	14.40041.250	Certificate no. (cULus)	E256877

Klippon POK (polyester empty enclosure) KLIPPON POK 404012 EX

Weidmüller Interface GmbH & Co. KG
Klingenbergstraße 16
D-32758 Detmold
Germany
Fon: +49 5231 14-0
Fax: +49 5231 14-292083
www.weidmueller.com

Technical data

General information

Areas of use	Explosive risk zone, Harbour facilities, Machine construction, Process industry, Transportation	Installation advice	Direct mounting, Mounting straps
Material thickness	5.99 mm	Material thickness of cover	5 mm
Material thickness of enclosure	5.99 mm	Standards	DIN EN 62208 - Empty enclosure standard, IEC 60079-0, IEC 60079-7, IEC 60079-31
Torque for lid screws	2.5 Nm	UL 94 flammability rating	V-0
Material	Glass fibre-reinforced polyester	Seal material	Silicone
Surface finish	untreated, polished	Operating temperature, min.	-55 °C
Operating temperature, max.	100 °C	Impact resistance	7 J ATEX version
Protection degree	IP66	Enclosure attachment	Installation through the housing rear wall, Fixing lugs
Lid attachment	Slotted/Phillips screws		

General information on accessories

Material	Glass fibre-reinforced polyester	Material thickness	5.99 mm
Mounting dimension - height	355 mm	Mounting dimension - width	380 mm
Surface finish	untreated, polished		

horizontal assembly

WDU 10 / ZDU 10	3x33	WDU 16 / ZDU 16	3x27
WDU 2,5 / ZDU 2,5 / IDU 2,5	3x67	WDU 4 / ZDU 4	3x55
WDU 6 / ZDU 6	3x41		

vertical assembly

WDU 2,5 / ZDU 2,5 / IDU 2,5	*	WDU 4 / ZDU 4	*
-----------------------------	---	---------------	---

Classifications

ETIM 5.0	EC002503	ETIM 6.0	EC002503
eClass 6.2	27-18-05-02	eClass 7.1	27-18-05-02
eClass 8.1	27-18-05-02	eClass 9.0	27-18-05-02
eClass 9.1	27-18-05-02		

Data sheet

**Klippon POK (polyester empty enclosure)
KLIPPON POK 404012 EX**

Weidmüller Interface GmbH & Co. KG
Klingenbergstraße 16
D-32758 Detmold
Germany
Fon: +49 5231 14-0
Fax: +49 5231 14-292083
www.weidmueller.com

Technical data

Approvals

Approvals



ROHS Conform

Downloads

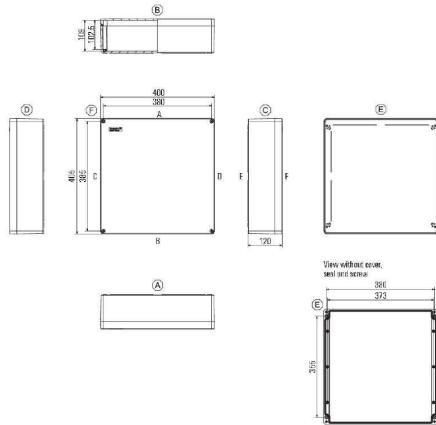
Approval/Certificate/Document of Conformity	Attestation of Conformity - Klippon POK Empty Enclosures - AoC DE PS2600 160308 001ISS01 EU Declaration of Conformity - Klippon POK Empty Enclosures Ex - DoC DE PS2600 160412 001ISS01
Brochure/Catalogue	MB OVERV. PROCESS WD DE MB KLIPPON ENCL.TECN EN MB PROCESS EN CAT 5 ENCL 17/18 EN FL KLIPPON POK EN FL SHIPBUILDING 2016 EN
Engineering Data	EPLAN, WSCAD
Engineering Data	STEP
Tender specification	Klippon POK 404012 Ex_1306150000_DE Klippon POK 404012 Ex_1306150000_EN
User Documentation	MB KLIPPON ENCL.TECN DE Assembly guidelines - empty enclosures

Data sheet

**Klippon POK (polyester empty enclosure)
KLIPPON POK 404012 EX**

Weidmüller Interface GmbH & Co. KG
Klingenbergstraße 16
D-32758 Detmold
Germany
Fon: +49 5231 14-0
Fax: +49 5231 14-292083
www.weidmueller.com

Drawings



X-ON Electronics

Largest Supplier of Electrical and Electronic Components

Click to view similar products for [Enclosures, Boxes, & Cases](#) category:

Click to view products by [Weidmuller](#) manufacturer:

Other Similar products are found below :

[CR-425 PAINTED](#) [585-R-WH-PK](#) [M-10-PLATED](#) [60221-01](#) [60566-01-000](#) [HPL-9VB BATT DOOR](#) [M-16-LID-PLATED](#) [M18-PLTD](#) [M-21-LID-PLATED](#) [M-21-PLATED](#) [M-23-PLATED](#) [CU-281-MB](#) [6711GSKT](#) [71884-29-028](#) [LH45-100 Black](#) [7200B](#) [72868-510-000](#) [CNS-0000 Black](#) [72883-510-000](#) [CNS-0101 Black](#) [72906-510-000](#) [CNS-0407 Black](#) [73091-510-000](#) [CNM-0000-BLACK Kit](#) [73092-510-000](#) [CNM-0101 Black](#) [73108-510-000](#) [CNL-0303 Black](#) [73395-510-039](#) [CNS-0006 Bone](#) [74257-510-000](#) [CNL-0004](#) [MDC-1183-PLAIN-ALUM](#) [MDC-1183-PTD](#) [MDC-13104-PLAIN-ALUM](#) [MDC-211 - PAINTED IVORY/BEIGE](#) [MDC-321-PTD](#) [MDC-432-PLAIN-ALUM](#) [MDC-973-PTD](#) [76](#) [77153-01-028](#) [FLX6030](#) [83535-01-508](#) [PS-11296-G](#) [PS-11298-B](#) [116-508](#) [120-407](#) [120-412](#) [120-909](#) [120-455](#) [R272-100-000](#) [120-910](#) [R501-001-010](#) [R508-080-000](#) [R508-160-000](#) [R530-120-000](#) [R530-122-000](#) [R530-200-000](#) [R531-160-000](#) [R531-200-000](#) [R582-080-100](#)