

Klippon STB (Small Terminal Box) KLIPPON STB 2 MS HT

Weidmüller Interface GmbH & Co. KG
Klingenbergstraße 16
D-32758 Detmold
Germany
Fon: +49 5231 14-0
Fax: +49 5231 14-292083
www.weidmueller.com

Product image



Ideally suited for the energy, process and transportation industries, the Klippon® STB enclosure series is the perfect complement to our existing Klippon enclosure portfolio. Enclosures in this series are approved according to international standards such as e.g. the Lloyds Register and EN62208.

- Sheet steel 1.0330, powder-coated in RAL 7032
- Comes with a standard seal that is resistant to high temperatures - extended temperature range of -60°C to +120°C
- Approved according to Lloyds Register
- Flexible options for fastening the internal mounting rail
- IP66 protection
- Secure, permanent function of the seal is ensured by seal compression protection
- Earthing stud in the cover and base of the enclosure
- Laser cut weld seams for increased quality
- Already welded-on mounting feet guarantee optimum enclosure installation
- Weidmüller can manufacture and supply this enclosure - according to customer specifications - fitted with all necessary terminals and cable glands.

General ordering data

Type	KLIPPON STB 2 MS HT
Order No.	1024990000
Version	Klippon STB (Small Terminal Box), Empty enclosure, Sheet steel enclosure, Height: 150 mm, Width: 150 mm, Depth: 90 mm, Material: Sheet steel, Powder-coated, Pebble grey
GTIN (EAN)	4032248745210
Qty.	1 pc(s).

**Klippon STB (Small Terminal Box)
KLIPPON STB 2 MS HT**

Weidmüller Interface GmbH & Co. KG
 Klingenbergstraße 16
 D-32758 Detmold
 Germany
 Fon: +49 5231 14-0
 Fax: +49 5231 14-292083
 www.weidmueller.com

Technical data**Dimensions and weights**

Width	150 mm	Width (inches)	5.905 inch
Height	150 mm	Height (inches)	5.905 inch
Depth	90 mm	Depth (inches)	3.543 inch
Mounting dimension - width	175 mm	Weight	1,630 g
Net weight	1,765 g		

Cable glands, left

M12	15	M16	10
M20	8	M25	3
M32	3	M40	2
M50	1		

Cable glands, right

M12	15	M16	8
M20	6	M25	2
M32	2	M40	2
M50	1		

Cable glands, top/bottom

M12	15	M16	10
M20	8	M25	3
M32	3	M40	2
M50	1		

Certificate numbers enclosure

Certificate no., assembled enclosure (EAC)	RU C-DE.ГБ08.B.01328	Certificate no., empty enclosure (EAC)	RU C-DE.ГБ08.B.00472
Certificate No. (MARITREG)	1.540.041.250		

General information

Areas of use	Transportation, Marine engineering, Process industry, Packaging industry	Material thickness	1.5 mm
Material thickness of enclosure	1.5 mm	Material	Sheet steel
Seal material	Silicone	Surface finish	Powder-coated
Operating temperature, min.	-60 °C	Operating temperature, max.	120 °C
Impact resistance	10 J version standard	Protection degree	IP66
Enclosure attachment	Welded-on mounting foot with 8-mm holes	Lid attachment	M5 hexagonal screw with slot and 10mm distance across flats
Integral fixing	TAS 20 rail welded to floor		

Housing earth

Earth, enclosure, internal	Welded-on M6 x 16 stainless-steel bolts
----------------------------	---

Klippon STB (Small Terminal Box)
KLIPPON STB 2 MS HT

Weidmüller Interface GmbH & Co. KG
 Klingenbergstraße 16
 D-32758 Detmold
 Germany
 Fon: +49 5231 14-0
 Fax: +49 5231 14-292083
 www.weidmueller.com

Technical data**vertical assembly**

WDU 10 / ZDU 10	1x11	WDU 16 / ZDU 16	1x9
WDU 2,5 / ZDU 2,5 / IDU 2,5	1x23	WDU 4 / ZDU 4	1x19
WDU 6 / ZDU 6	1x14		

Classifications

ETIM 4.0	EC002600	ETIM 5.0	EC002600
ETIM 6.0	EC000261	eClass 6.2	27-14-91-07
eClass 7.1	27-14-91-07	eClass 8.1	27-14-91-07
eClass 9.0	27-18-01-01	eClass 9.1	27-18-92-90

Approvals

Approvals



ROHS

Conform

Downloads

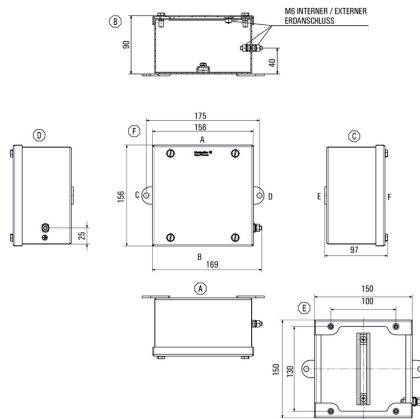
Approval/Certificate/Document of Conformity	EU Declaration of Conformity - Klippon STB Empty Enclosures IND - DoC DE PS2620 160412 002ISS01
Brochure/Catalogue	MB KLIPPON ENCL.TECN EN CAT 5 ENCL 17/18 EN FL KLIPPON STB EN FL SHIPBUILDING 2016 EN
Engineering Data	EPLAN, WSCAD
Engineering Data	STEP
Tender specification	Klippon STB 2 MS HT_1024990000_DE Klippon STB 2 MS HT_1024990000_EN
User Documentation	MB KLIPPON ENCL.TECN DE Assembly guidelines - empty enclosures

**Klippon STB (Small Terminal Box)
KLIPPON STB 2 MS HT**

Weidmüller Interface GmbH & Co. KG
 Klingenbergstraße 16
 D-32758 Detmold
 Germany
 Fon: +49 5231 14-0
 Fax: +49 5231 14-292083
 www.weidmueller.com

Drawings

Dimensioned drawing



X-ON Electronics

Largest Supplier of Electrical and Electronic Components

Click to view similar products for [Enclosures, Boxes, & Cases](#) *category:*

Click to view products by [Weidmuller](#) *manufacturer:*

Other Similar products are found below :

[CR-425 PAINTED](#) [585-R-WH-PK](#) [M-10-PLATED](#) [60221-01](#) [60566-01-000](#) [HPL-9VB BATT DOOR](#) [M-16-LID-PLATED](#) [M18-PLTD](#) [M-21-LID-PLATED](#) [M-21-PLATED](#) [M-23-PLATED](#) [CU-281-MB](#) [6711GSKT](#) [71884-29-028](#) [LH45-100 Black](#) [7200B](#) [72868-510-000](#) [CNS-0000 Black](#) [72883-510-000](#) [CNS-0101 Black](#) [72906-510-000](#) [CNS-0407 Black](#) [73091-510-000](#) [CNM-0000-BLACK Kit](#) [73092-510-000](#) [CNM-0101 Black](#) [73108-510-000](#) [CNL-0303 Black](#) [73395-510-039](#) [CNS-0006 Bone](#) [74257-510-000](#) [CNL-0004](#) [MDC-1183-PLAIN-ALUM](#) [MDC-1183-PTD](#) [MDC-13104-PLAIN-ALUM](#) [MDC-211 - PAINTED IVORY/BEIGE](#) [MDC-321-PTD](#) [MDC-432-PLAIN-ALUM](#) [MDC-973-PTD](#) [76](#) [77153-01-028](#) [FLX6030](#) [83535-01-508](#) [PS-11296-G](#) [PS-11298-B](#) [116-508](#) [120-407](#) [120-412](#) [120-909](#) [120-455](#) [R272-100-000](#) [120-910](#) [R501-001-010](#) [R508-080-000](#) [R508-160-000](#) [R530-120-000](#) [R530-122-000](#) [R530-200-000](#) [R531-160-000](#) [R531-200-000](#) [R582-080-100](#)