

Klippon STB (Small Terminal Box) KLIPPON STB 2 SS

Weidmüller Interface GmbH & Co. KG
Klingenbergstraße 16
D-32758 Detmold
Germany
Fon: +49 5231 14-0
Fax: +49 5231 14-292083
www.weidmueller.com

Product image



Ideally suited for the energy, process and transportation industries, the Klippon® STB enclosure series is the perfect complement to our existing Klippon enclosure portfolio. Enclosures in this series are approved according to international standards such as e.g. EN62208 and EN60079-0/7 (ATEX).

- Mirror-polished or electropolished stainless steel 1.4404 (316L), 1.5 mm
- High-temperature-resistant seal as standard - extended temperature range of -60°C to +100°C (+120°C on request)
- Approved according to ATEX, IECEx, cULus, Lloyds Register, Germanischer Lloyd, GOST and INMETRO
- Flexible options for fastening the internal mounting rail
- IP66 protection
- Secure, permanent function of the seal is ensured by seal compression protection
- Earthing stud in the cover and base of the enclosure
- Laser cut weld seams for increased quality
- Already welded-on mounting feet guarantee optimum enclosure installation

Weidmüller can manufacture and supply this enclosure - according to customer specifications - fitted with all necessary terminals and cable glands.

General ordering data

Type	KLIPPON STB 2 SS
Order No.	1002740000
Version	Klippon STB (Small Terminal Box), Empty enclosure, stainless steel enclosure, Height: 150 mm, Width: 150 mm, Depth: 90 mm, Material: Stainless steel 1.4404 (316L), Mirror polished, silver
GTIN (EAN)	4032248695676
Qty.	1 pc(s).

Klippon STB (Small Terminal Box)
KLIPPON STB 2 SS

Weidmüller Interface GmbH & Co. KG
 Klingenbergstraße 16
 D-32758 Detmold
 Germany
 Fon: +49 5231 14-0
 Fax: +49 5231 14-292083
 www.weidmueller.com

Technical data
Dimensions and weights

Width	150 mm	Width (inches)	5.905 inch
Height	150 mm	Height (inches)	5.905 inch
Depth	90 mm	Depth (inches)	3.543 inch
Mounting dimension - width	175 mm	Weight	1.63 kg
Net weight	1,708 g		

Cable glands, left

M12	15	M16	10
M20	8	M25	3
M32	3	M40	2
M50	1		

Cable glands, right

M12	15	M16	8
M20	6	M25	2
M32	2	M40	2
M50	1		

Cable glands, top/bottom

M12	15	M16	10
M20	8	M25	3
M32	3	M40	2
M50	1		

Certificate numbers enclosure

Certificate no. assembled enclosure (ATEX)	IBExU07ATEX1148	Certificate no. empty enclosure (ATEX)	IBExU 07ATEX1147U
Certificate no. assembled enclosure (IECEX)	IECEX IBE 09.0019	Certificate no. empty enclosure (IECEX)	IECEX IBE 09.0018U
Certificate no., assembled enclosure (EAC)	RU C-DE.ГБ08.B.01328	Certificate no., empty enclosure (EAC)	RU C-DE.ГБ08.B.00472
Certificate no. assembled enclosure (INMETRO)	IEx 13.0003	Certificate no. empty enclosure (INMETRO)	IEx 13.0002U
Certificate no. assembled enclosure (AEx)	E223792	Certificate no., assembled enclosure (KOSHA)	16-AV4BO-0247X
Certificate No. (GERMLLOYD)	59358-08	Certificate No. (MARITREG)	15.40041.250
Certificate no. (cULus)	E256877		

**Klippon STB (Small Terminal Box)
KLIPPON STB 2 SS**

Weidmüller Interface GmbH & Co. KG
Klingenbergstraße 16
D-32758 Detmold
Germany
Fon: +49 5231 14-0
Fax: +49 5231 14-292083
www.weidmueller.com

Technical data

General information

Areas of use	Explosive risk zone, Packaging industry, Transportation, Process industry, Marine engineering	Material thickness	1.5 mm
Material thickness of enclosure	1.5 mm	Material	Stainless steel 1.4404 (316L)
Seal material	Silicone	Surface finish	Mirror polished
Operating temperature, min.	-60 °C	Operating temperature, max.	100 °C
Impact resistance	10 J version standard, 7 J ATEX version	Protection degree	IP66
Enclosure attachment	Welded-on mounting foot with 8-mm holes	Lid attachment	M5 hexagonal screw with slot and 10mm distance across flats
Integral fixing	TAS 20 rail welded to floor		

vertical assembly

WDU 10 / ZDU 10	1x11	WDU 16 / ZDU 16	1x9
WDU 2,5 / ZDU 2,5 / IDU 2,5	1x23	WDU 4 / ZDU 4	1x19
WDU 6 / ZDU 6	1x14		

Classifications

ETIM 4.0	EC002600	ETIM 5.0	EC002600
ETIM 6.0	EC002503	eClass 6.2	27-14-91-07
eClass 7.1	27-14-91-07	eClass 8.1	27-14-91-07
eClass 9.0	27-18-05-02	eClass 9.1	27-18-05-02

Product information

Product information the ambient temperature for the assembly will be reduced to +60°C and the surface temperature to +100°C.

Approvals

Approvals



ROHS Conform

**Klippon STB (Small Terminal Box)
KLIPPON STB 2 SS**

Weidmüller Interface GmbH & Co. KG
Klingenbergstraße 16
D-32758 Detmold
Germany
Fon: +49 5231 14-0
Fax: +49 5231 14-292083
www.weidmueller.com

Technical data**Downloads**

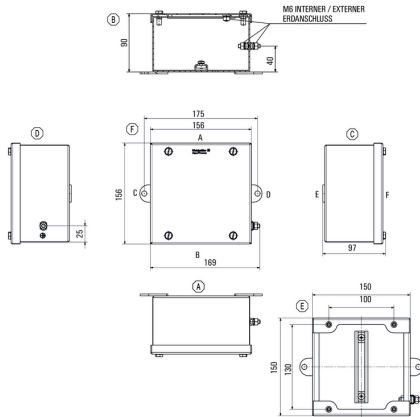
Approval/Certificate/Document of Conformity	Attestation of Conformity - Klippon STB Empty Enclosures - AoC DE PS2620 160308 001ISS01 EU Declaration of Conformity - Klippon STB Empty Enclosures Ex - DoC DE PS2620 160412 001ISS01
Brochure/Catalogue	MB OVERV. PROCESS WD DE MB KLIPPON ENCL.TECN EN MB PROCESS EN CAT 5 ENCL 17/18 EN FL KLIPPON STB EN FL SHIPBUILDING 2016 EN
Engineering Data	EPLAN, WSCAD
Engineering Data	STEP
Tender specification	Klippon STB 2 SS_1002740000_DE Klippon STB 2 SS_1002740000_EN
User Documentation	MB KLIPPON ENCL.TECN DE Assembly guidelines - empty enclosures

**Klippon STB (Small Terminal Box)
KLIPPON STB 2 SS**

Weidmüller Interface GmbH & Co. KG
 Klingenbergstraße 16
 D-32758 Detmold
 Germany
 Fon: +49 5231 14-0
 Fax: +49 5231 14-292083
 www.weidmueller.com

Drawings

Dimensioned drawing



X-ON Electronics

Largest Supplier of Electrical and Electronic Components

Click to view similar products for [Enclosures, Boxes, & Cases](#) category:

Click to view products by [Weidmuller](#) manufacturer:

Other Similar products are found below :

[CR-425 PAINTED](#) [585-R-WH-PK](#) [M-10-PLATED](#) [60221-01](#) [60566-01-000](#) [HPL-9VB BATT DOOR](#) [M-16-LID-PLATED](#) [M18-PLTD](#) [M-21-LID-PLATED](#) [M-21-PLATED](#) [M-23-PLATED](#) [CU-281-MB](#) [6711GSKT](#) [71884-29-028](#) [LH45-100 Black](#) [7200B](#) [72868-510-000](#) [CNS-0000 Black](#) [72883-510-000](#) [CNS-0101 Black](#) [72906-510-000](#) [CNS-0407 Black](#) [73091-510-000](#) [CNM-0000-BLACK Kit](#) [73092-510-000](#) [CNM-0101 Black](#) [73108-510-000](#) [CNL-0303 Black](#) [73395-510-039](#) [CNS-0006 Bone](#) [74257-510-000](#) [CNL-0004](#) [MDC-1183-PLAIN-ALUM](#) [MDC-1183-PTD](#) [MDC-13104-PLAIN-ALUM](#) [MDC-211 - PAINTED IVORY/BEIGE](#) [MDC-321-PTD](#) [MDC-432-PLAIN-ALUM](#) [MDC-973-PTD](#) [76](#) [77153-01-028](#) [FLX6030](#) [83535-01-508](#) [PS-11296-G](#) [PS-11298-B](#) [116-508](#) [120-407](#) [120-412](#) [120-909](#) [120-455](#) [R272-100-000](#) [120-910](#) [R501-001-010](#) [R508-080-000](#) [R508-160-000](#) [R530-120-000](#) [R530-122-000](#) [R530-200-000](#) [R531-160-000](#) [R531-200-000](#) [R582-080-100](#)