

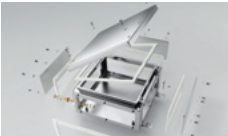


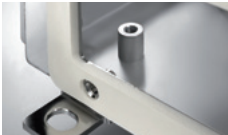














Klippon[®] TB – Steel enclosures

Product information

Klippon® TB – Steel enclosures

	Introduction	4		Internal earth Point	14
	Klippon® TB – Main features at a glance	5		Welded mounting lugs	15
	Flexible Hinge Design	6		Internal Mounting Pillars	16
	Locking systems Klippon® TB MH Klippon® TB QL	7		Quality Seamless welding	17
	Internal Threaded Screw Sockets	9		Product identification	17
	Gland Plates	10		Klippon® TB MH – Multi Hinge Technical data	18
	Silicone Gaskets (Compression Control)	11		Klippon® TB QL – Quarter Lock Technical data	44
	Moisture / Dust Channel	12		Industry Segments	70
	Self-securing earth Stud	13		Weidmüller Service	71

Klippon® TB

The name Klippon® has long been a synonym for competence and quality with the supply of products designed to meet the demanding requirements of both industrial and harsh environments (including hazardous area locations). Klippon® is a brand name of the Weidmüller group of companies which maintains sales offices, production facilities and commercial agents in 70 countries worldwide.

Weidmüller began manufacturing enclosures back in the 1960s. We have been able to prove our reputation as a skilled and reliable partner on countless occasions. Since then, the Weidmüller name has stood for innovative products that meet even the most demanding market requirements.

Our experience has been incorporated in to the new design of the market-leading Klippon® TB range of enclosures. Designed to withstand the most demanding environmental conditions, the enclosures have been modernised in such a way that they comply with the latest international norms and standards and, together with an innovative and new product design, ensure enhanced product functionality.

A new enclosure family – the key to market success!

On the basis of its innovative Klippon® enclosure standard, Weidmüller's user-friendly variants meet the requirements of customers and target markets.

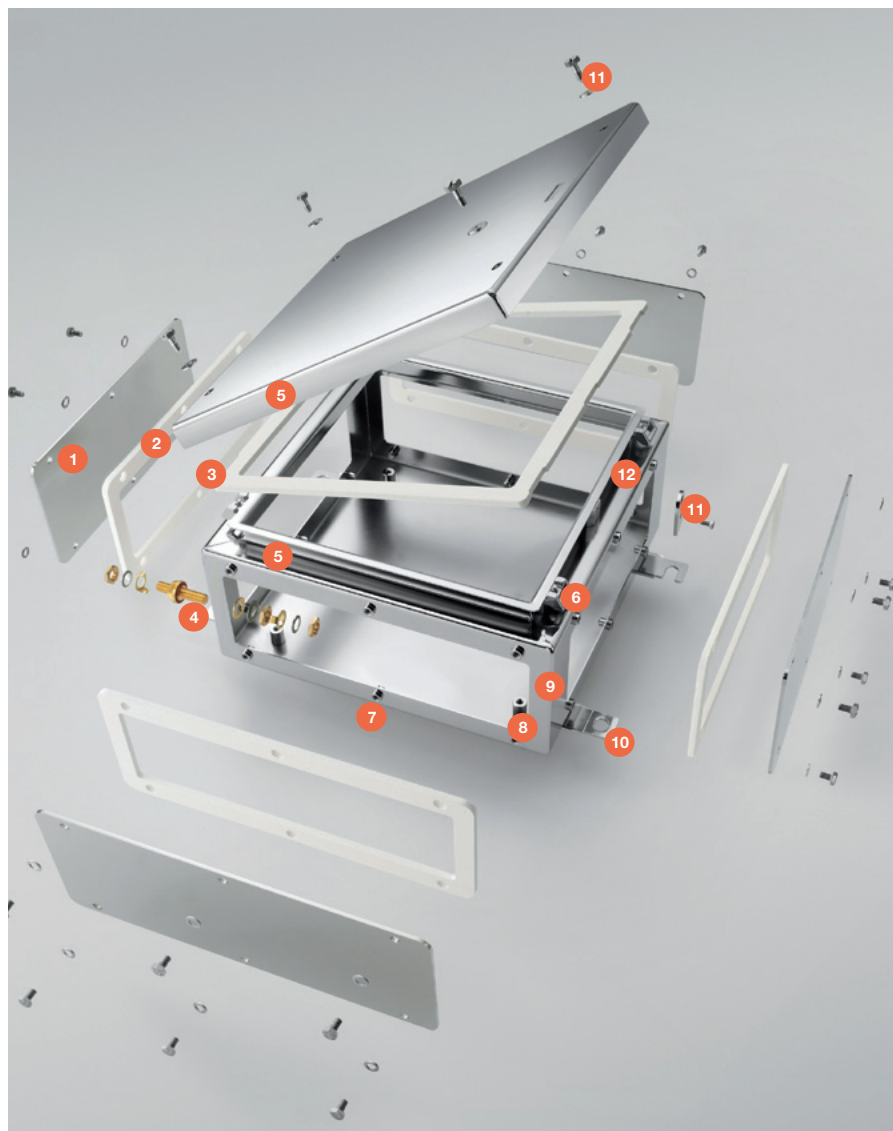
Weidmüller has developed two new standard product ranges: Klippon® TB MH (Multi Hinge) and Klippon® TB QL (Quarter Lock)

The modern production processes also enable a broad bandwidth of design options in order to adapt quickly to individual customer wishes. For example, document holders, label holders, locking options, rain hoods and many other accessories are available and can be fitted to the enclosures on request.

Since its introduction, the Klippon® TB range (formerly TB range) has become a leading product on the market and has always set the highest standards.



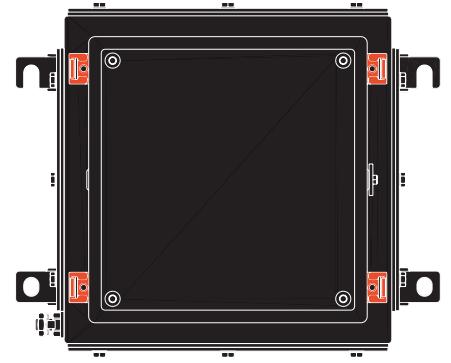
Klippon® TB – Main features at a glance



- 1** Gland Plates
- 2** Silicone Gaskets
- 3** Internal earth point
- 4** Self-securing earth stud
- 5** Product identification
- 6** Flexible hinge design
- 7** Internal threaded screw sockets
- 8** Internal mounting pillars
- 9** Quality Seamless welding
- 10** Welded mounting lugs
- 11** Locking system
- 12** Moisture and Dust Channel

Flexible Hinge Design

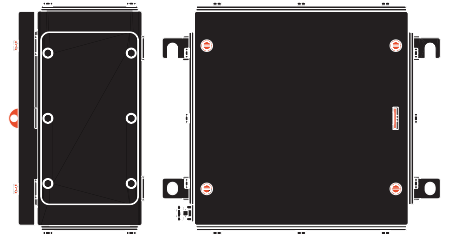
Dedicated hinges are welded to each side of the enclosures – Multi-Hinge. The Klippon® TB MH range therefore provides the flexibility to fit the cover onto either side of the enclosure. The hinge design features integrated height compensation which ensures the sealing performance between the cover and body of each enclosure resulting in improved compression control of the gasket.



Locking systems

Klippon® TB MH

The Klippon® TB MH range is secured by M6 hexagon slotted screws (10 mm). The screws are located outside of the sealing area and are fitted with captive washers on the cover. The Klippon® TB MH range of enclosures also provides the possibility to secure the enclosure on site by means of an optionally available stainless steel padlock (No. 0905680000). The padlock fixture can be fitted to either side of the enclosure or removed completely.



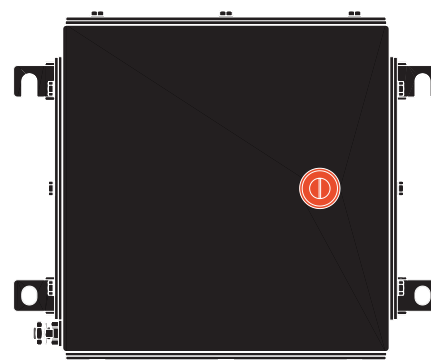


Locking systems

Klippon® TB QL

The Klippon® TB QL range of enclosures are supplied with a quarter-turn lock (tested to IP66 standard). The lock design features a slotted insert as standard.

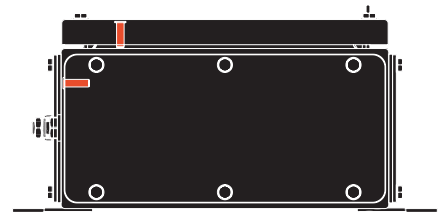
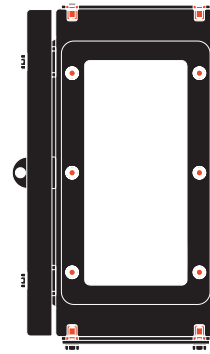
Other lock inserts are available as option.



Internal Threaded Screw Sockets

The internal threaded sockets are welded to the wall of the enclosure and allow for simple gland plate fixing. The elimination of any additional sealing material has minimised the influence of any possible ingress as a result of a mechanical impact, excessive torques or vibration. This design innovation, is exclusively featured on the new Klippon® TB enclosure product family. This provides total protection once the gland plates have been fitted.

Additionally, captive washers are used with the gland plate screws to increase the performance and the general stability of the fixing screws.



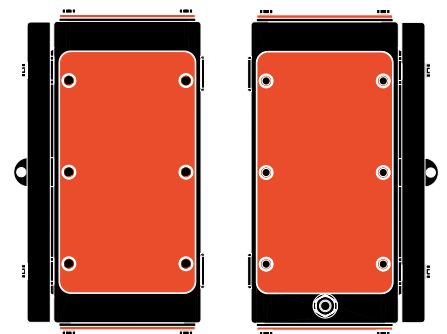


Gland Plates

As standard, the new Klippon® TB enclosures are supplied with up to 4 gland plates. They are designed in such a way that they enable the greatest possible number of cable entries for each enclosure. The rounded gland plate corners not only fit harmoniously into the Klippon® TB design, they also minimise the risk of possible injury during installation.

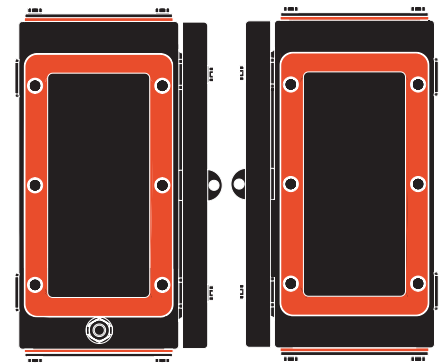
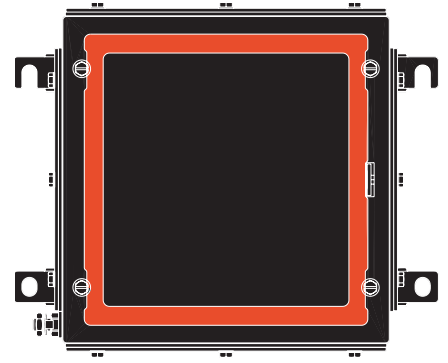
As standard, the gland plates are made of material that is 3 mm thick.

Gland plates with other material thicknesses are available as options.



Silicone Gasket

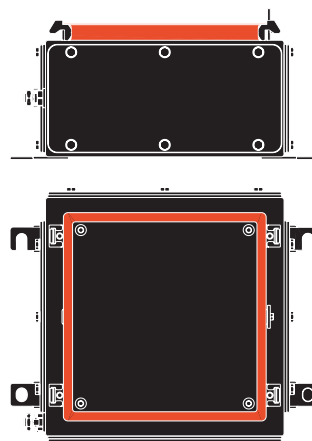
The gasket fits securely to the contour of the enclosure, providing a uniform seal all around the enclosure. The compression control performance of the gasket is optimised by the design of the hinge and supporting locking mechanism.





Moisture / Dust Channel

A moisture and dust channel runs around the aperture of the enclosure body. This prevents dirt and moisture that has collected on the surface from entering the enclosure when the cover is opened.

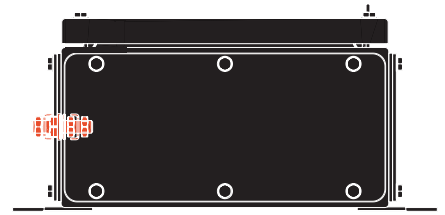


Self-securing earth Stud

As standard, the Klippon® TB enclosures are supplied with a M10 internal/external brass earth stud to the main body of the enclosure. This can be fitted or replaced on site easily and quickly.

The earth stud has a sealing mechanism that has been tested to IP67 standard. It is keyed to prevent rotation. The specially designed washers ensure optimal vibration protection.

As an option, the earth stud is also available in stainless steel.



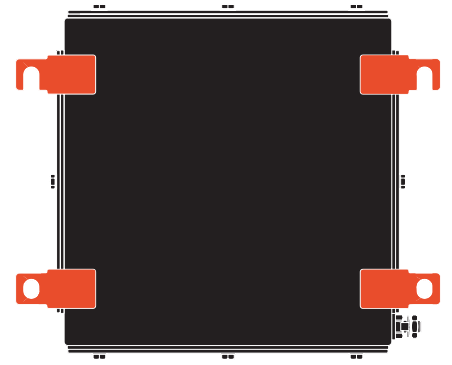


Internal earth Point

Each Klippon® TB enclosure is equipped with an additional M6 earth screw on the cover and inside the enclosure.

Welded mounting lugs

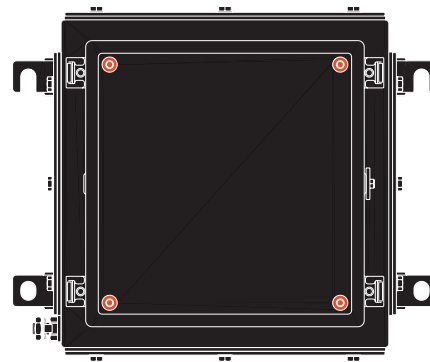
The new Klippon® TB enclosures are each supplied with four welded mounting lugs. These are designed for easy wall fixing and protection against impact and vibrations. The mounting lugs generally follow the “footprint” of earlier Klippon® TB product versions and will therefore support easy product and design replacement needs.



Internal Mounting Pillars

The internal mounting pillars are placed in order to optimise the available space to allow mounting plates or supporting rail to be fully utilised, whilst ensuring full accessibility for the installer.

The large surface diameter of each mounting pillar offers improved stability and performance for the rail supports.





Quality Seamless welding

The DVS (DIN EN ISO 3834-3) approved welding process ensures not only the product functionality but also means the appearance of the enclosure conveys a particular sense of quality.

Product identification

The article number and article description are engraved in every enclosure body and cover. This makes it easier to identify and provides traceability of the enclosures. For example, during the installation of several enclosures, the cover can be uniquely assigned and placed on to the right enclosure body.



Klippon® TB MH – Multi Hinge

Steel enclosures for use within harsh environments

The Klippon® TB range of enclosures delivers an outstanding performance in the severest conditions and meets the needs of the increasingly stringent requirements of hazardous area applications that can be found in particular in the process and energy industries. The new Klippon® TB MH range offers further enhancements to an already successful and market leading product range.

Information about the System accessories – Page 69.

The Klippon® TB MH range of enclosures offers the following advantages:

- Available in stainless steel or sheet steel material
- In 12 sizes and 3 standard depths
- With up to 4 gland plates; optionally without gland plates
- Gland plate fixing via threaded socket screws
- Gasket compression is controlled
- Padlock facility (fully removable)
- Lid fixing outside the gasket area
- Enhanced temperature performance
- IP66 and IP67
- Cover can be removed easily without a special tool
- Earth stud fitted to body and lid
- Mounting lugs pre fitted and ensure secure product mounting
- International approvals

Our assembly service can supply these enclosures preassembled with terminals and cable glands according to customer requirements.



Overview of enclosures

Description	Length x Width x Depth in mm	1 Gland Plates (Bottom)	2 Gland Plates (Top+Bottom)	3 Gland Plates (Bottom+Sides)	4 Gland Plates (All Sides)	Reference Product
KTB MH 221513 S4E_*	229 x 152 x 133	1194560000	1194570000	1194580000	1194590000	Klippon® TB10
KTB MH 262615 S4E_*	260 x 260 x 150	1194610000	1194620000	1194630000	1194640000	Klippon® TB10A
KTB MH 262620 S4E_*	260 x 260 x 200	1194660000	1194670000	1194680000	1194690000	Klippon® TB10A
KTB MH 303015 S4E_*	306 x 306 x 150	1194710000	1194720000	1194730000	1194740000	Klippon® TB11
KTB MH 303020 S4E_*	306 x 306 x 200	1194760000	1194770000	1194780000	1194790000	Klippon® TB11
KTB MH 352615 S4E_*	350 x 260 x 150	1194810000	1194820000	1194830000	1194840000	Klippon® TB11A
KTB MH 352620 S4E_*	350 x 260 x 200	1194860000	1194870000	1194880000	1194890000	Klippon® TB11A
KTB MH 403015 S4E_*	400 x 300 x 150	1194910000	1194920000	1194930000	1194940000	-
KTB MH 403020 S4E_*	400 x 300 x 200	1194960000	1194970000	1194980000	1194990000	-
KTB MH 453815 S4E_*	458 x 382 x 150	1195010000	1195020000	1195030000	1195040000	Klippon® TB12
KTB MH 453820 S4E_*	458 x 382 x 200	1195060000	1195070000	1195080000	1195090000	Klippon® TB12
KTB MH 484815 S4E_*	480 x 480 x 150	1195110000	1195120000	1195130000	1195140000	Klippon® TB12A
KTB MH 484820 S4E_*	480 x 480 x 200	1195160000	1195170000	1195180000	1195190000	Klippon® TB12A
KTB MH 553515 S4E_*	550 x 350 x 150	1195210000	1195220000	1195230000	1195240000	Klippon® TB12B
KTB MH 553520 S4E_*	550 x 350 x 200	1195260000	1195270000	1195280000	1195290000	Klippon® TB12B
KTB MH 624515 S4E_*	620 x 450 x 150	1195310000	1195320000	1195330000	1195340000	Klippon® TB12D
KTB MH 624520 S4E_*	620 x 450 x 200	1195360000	1195370000	1195380000	1195390000	Klippon® TB12D
KTB MH 765015 S4E_*	762 x 508 x 150	1195410000	1195420000	1195430000	1195440000	Klippon® TB13
KTB MH 765020 S4E_*	762 x 508 x 200	1195460000	1195470000	1195480000	1195490000	Klippon® TB13
KTB MH 916115 S4E_*	914 x 610 x 150	1195510000	1195520000	1195530000	1195540000	Klippon® TB14
KTB MH 916120 S4E_*	914 x 610 x 200	1195560000	1195570000	1195580000	1195590000	Klippon® TB14
KTB MH 987420 S4E_*	980 x 740 x 200	1195610000	1195620000	1195630000	1195640000	-

Note * Placeholder for the amount of gland plates (1, 2, 3, 4). Klippon® TB MH enclosures without gland plates are available on request.

Technical Data

Material***	Stainless steel 1.4404 (316L) 1.5 mm
Surface	electropolished
IP Rating	IP66 / IP67
NEMA Rating	3, 4x, 12
Gland plates	1-4 (fixed with M6 hexagon head screws with 10mm slot width), optionally without gland plate
Thickness of gland plate	3 mm (optionally up to 20 mm available upon request)
Earthing inside	Bottom section of enclosure and enclosure cover: welded-on M6 stainless-steel earthing stud
Earthing outside	continuous M10 brass earth bolt (optionally with stainless-steel earthing stud)
Equipment mounting	4 or 6 mounting pillars with M6 threaded hole for fixing the mounting plate or terminal rail
Enclosure mounting	4 external lugs with 11 mm slots (2 slotted and 2 circular opening)
Lid opening	fully removable lid without tool, mountable left and right hand side, lid opening: 130°
Lid fixing	4 hinges and M6 hex-head screws (AF 10) with slot
Padlock facility	padlock hasp (removable) for additional product security with optional padlock (p/n: 0905680000)
Impact resistance	7 J ATEX applications, 10 J Industrial applications
Gasket material	Silicone
Operating temperature range*	-60 °C to +135 °C
Torque screws of lid and gland plates**	2.5 Nm

Note * For use in applications higher 105 °C, the IP class is limited to IP66.

** Please use our hexagon screwdriver with 10 mm slot width (article number 9009070000)

*** Sheet steel painted enclosures available on request.

Approvals empty enclosures

ATEX certificate	KEMA 10ATEX0046 U
ATEX marking	II 2 G Ex e IIC Gb II 2 D Ex tb IIIC Db IP66/67
IECEX certificate	IECEX KEM 10.0015U
IECEX marking	Ex e IIC Gb Ex tb IIIC Db IP66/67
GOST Ex	POCC DE.ME92.B02036
GOST R	Pending
cULus	E243298
Germanischer Lloyd	11533 - 10 HH
Russian Maritime Register	10.04093.250
CCOE	P267536/2

Note The enclosure range Klippon® TB MH can be assembled with terminals or other approved equipment by our Application-Specific Solutions service






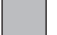


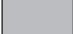



Approvals terminal enclosures

ATEX certificate	KEMA 10ATEX0050
ATEX marking	II 2 G Ex eb IIC T6...T4 II 1 G Ex ia IIC T6...T4 II 2(1) G Ex eb ia IIC T6...T4 II 2 D Ex tb IIIC T85 °C...T135 °C IP66/67
IECEX certificate	IECEX KEM 10.0019
IECEX marking	Ex eb IIC T... Ex ia IIC T... Ex eb ia IIC T... Ex tb IIIC T85 °C...T135 °C IP66/67

Note Labelling depends on the application layout. Limited to IP66 protection when used for temperatures over 105 °C.

Overview of dimensions

Klippon® TB MH – Multi Hinge

	Dimensions [mm] Height x width x depth	Weight [g]			
		1 gland plate	2 gland plate	3 gland plate	4 gland plate
	229 x 152 x 133	3060	3360	3740	4060
	260 x 260 x 150	4840	5510	5780	6680
	260 x 260 x 200	5620	6400	6840	8200
	306 x 306 x 150	5960	6580	7060	7660
	306 x 306 x 200	6800	7720	8320	9180
	350 x 260 x 150	5780	6700	7600	9700
	350 x 260 x 200	6700	7700	8380	10100
	400 x 300 x 150	7200	8300	8380	11100
	400 x 300 x 200	7900	9200	10400	11300
	458 x 382 x 150	9000	9900	10700	12700
	458 x 382 x 200	10240	10830	12500	14110
	480 x 480 x 150	11900	13800	15200	17600
	480 x 480 x 200	12420	15900	17700	16080
	550 x 350 x 150	8500	9500	10800	12100
	550 x 350 x 200	11060	11500	13800	14720
	620 x 450 x 150	12800	14100	15600	17100
	620 x 450 x 200	14240	15830	17360	20350
	762 x 508 x 150	17100	18600	19700	20800
	762 x 508 x 200	18120	19800	21200	22700
	914 x 610 x 150	20700	22200	24100	26000
	914 x 610 x 200	23840	24600	26400	28200
	980 x 740 x 200	34800	36300	36100	39900

Note: Additional enclosure sizes available on request. The weights given are net weights. Enclosures without flange plates are available on request.

Klippon® TB MH 221513

Depth 133 mm



Height/Width/Depth 229 / 152 / 133 mm

Ordering data

Stainless steel 1.4404 316L, electropolished	Order No.
1 gland plate - positioned bottom side (B)	1194560000
2 gland plates - positioned top and bottom sides (A & B)	1194570000
3 gland plates - positioned bottom, left and right sides (B, C & D)	1194580000
4 gland plates - positioned top, bottom, left and right sides (A, B, C & D)	1194590000

Note Painted sheet steel enclosure available on request. Standard colour is similar to RAL 7035.

Accessories

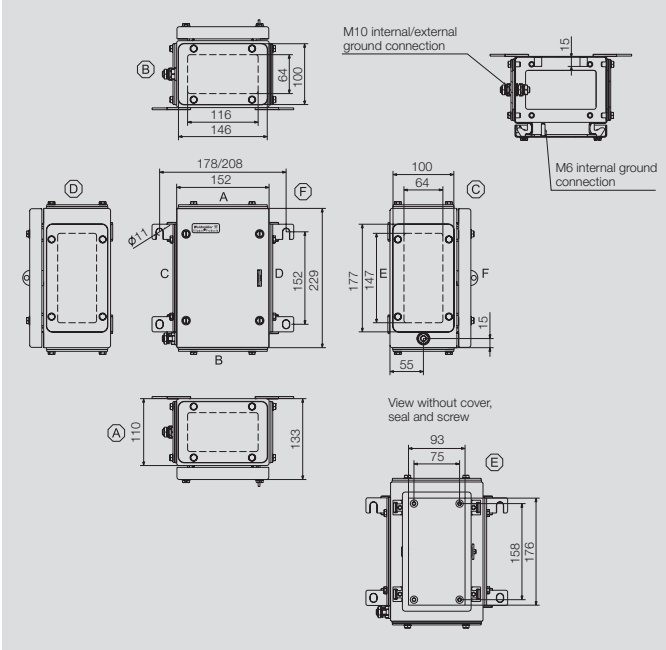
Mounting plate	Order No.
Steel sheet, zintec	1193930000
Stainless steel, 1.4301	1193810000

Stainless steel-Spacer M6 x 8, set of 4	Order No.
10 mm length	0935110000
15 mm length	0935120000
20 mm length	0935130000
30 mm length	0935140000

Sheet steel nickel plated Spacer M6 x 8, set of 2	Order No.
15 mm length	3896100000
20 mm length	3896200000
30 mm length	3896300000

Padlock with two keys	Order No.
Stainless steel, 1.4301	0905680000

Note System accessories can be found after the Klippon® TB QL product pages.



Max. number of terminals (industry)

Max. number of terminals (industry)	vertical	horizontal
2,5 mm ²	1x29	1x15
4 mm ²		1x13
6 mm ²		1x9
10 mm ²		1x7
16 mm ²		1x6
35 mm ²		

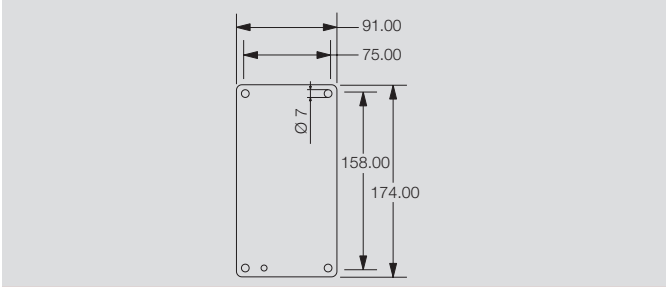
Note *For enclosure versions with zero, one or two gland plates, the horizontal gap between the mounting feet is reduced by 30 mm. Assembly with terminal blocks provides for 10 mm clearance to the ends of the mounting rail. Recommended order: TS35 mounting rail (screw terminal) WDU 2.5 1020000000 / (tension clamp terminal) ZDU 2.5 1608510000 / (tension clamp terminal) PDU 2.5 1896110000 TS32 mounting rail (screw terminal) SAK 2.5 0279660000 TS15 mounting rail (screw terminal) AKZ 2.5 0697160000

Number of cable entries

Number of cable entries	A / B	C / D
M12	6	8
M16	5	6
M20	2	3
M25	2	2
M32	1	2
M40	1	2
M50	0	0
M63	0	0
M75	0	0

Note Our IP68 brass cable glands serve as a reference for these recommended values.

Dimensions of mounting plate





Height/Width/Depth 260 / 260 / 150 mm

Ordering data

Stainless steel 1.4404 316L, electropolished	Order No.
1 gland plate - positioned bottom side (B)	1194610000
2 gland plates - positioned top and bottom sides (A & B)	1194620000
3 gland plates - positioned bottom, left and right sides (B, C & D)	1194630000
4 gland plates - positioned top, bottom, left and right sides (A, B, C & D)	1194640000

Note Painted sheet steel enclosure available on request. Standard colour is similar to RAL 7035.

Accessories

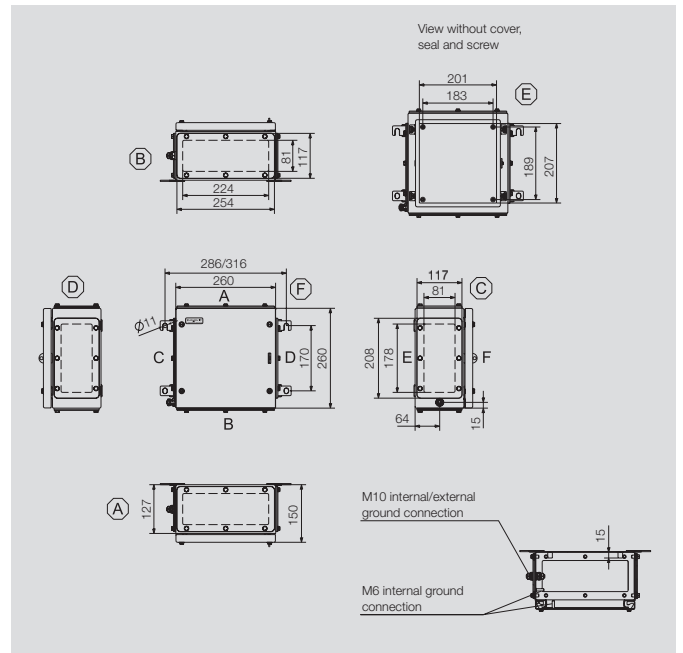
Mounting plate	Order No.
Steel sheet, zintec	1193950000
Stainless steel, 1.4301	1193820000

Stainless steel-Spacer M6 x 8, set of 4	Order No.
10 mm length	0935110000
15 mm length	0935120000
20 mm length	0935130000
30 mm length	0935140000

Sheet steel nickel plated Spacer M6 x 8, set of 2	Order No.
15 mm length	3896100000
20 mm length	3896200000
30 mm length	3896300000

Padlock with two keys	Order No.
Stainless steel, 1.4301	0905680000

Note System accessories can be found after the Klippon® TB QL product pages.



Max. number of terminals (industry)

Max. number of terminals (industry)	vertical	horizontal
2,5 mm ²	2x35	2x34
4 mm ²	1x30	1x29
6 mm ²	1x22	1x22
10 mm ²	1x18	1x17
16 mm ²	1x15	1x14
35 mm ²		

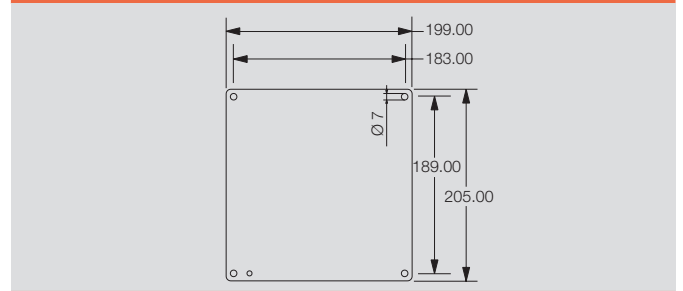
Note *For enclosure versions with zero, one or two gland plates, the horizontal gap between the mounting feet is reduced by 30 mm. Assembly with terminal blocks provides for 10 mm clearance to the ends of the mounting rail. Recommended order: TS35 mounting rail (screw terminal) WDU 2.5 1020000000 / (tension clamp terminal) ZDU 2.5 1608510000 / (tension clamp terminal) PDU 2.5 1896110000 TS32 mounting rail (screw terminal) SAK 2.5 0279660000 TS15 mounting rail (screw terminal) AKZ 2.5 0697160000

Number of cable entries

Number of cable entries	A / B	C / D
M12	20	15
M16	11	8
M20	9	7
M25	4	3
M32	3	2
M40	3	2
M50	2	2
M63	0	0
M75	0	0

Note Our IP68 brass cable glands are used as the reference for these guideline values.

Dimensions of mounting plate





Height/Width/Depth 260 / 260 / 200 mm

Ordering data

Stainless steel 1.4404 316L, electropolished	Order No.
1 gland plate - positioned bottom side (B)	1194660000
2 gland plates - positioned top and bottom sides (A & B)	1194670000
3 gland plates - positioned bottom, left and right sides (B, C & D)	1194680000
4 gland plates - positioned top, bottom, left and right sides (A, B, C & D)	1194690000

Note Painted sheet steel enclosure available on request. Standard colour is similar to RAL 7035.

Accessories

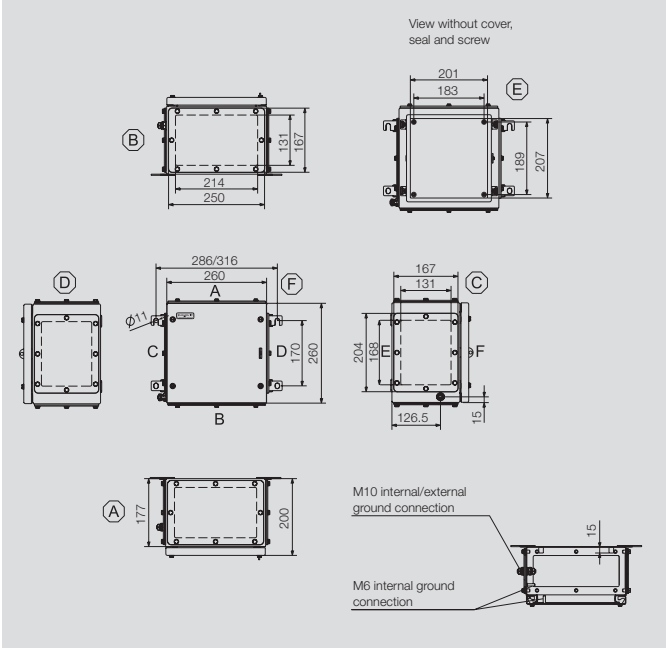
Mounting plate	Order No.
Steel sheet, zintec	1193950000
Stainless steel, 1.4301	1193820000

Stainless steel-Spacer M6 x 8, set of 4	Order No.
10 mm length	0935110000
15 mm length	0935120000
20 mm length	0935130000
30 mm length	0935140000

Sheet steel nickel plated Spacer M6 x 8, set of 2	Order No.
15 mm length	3896100000
20 mm length	3896200000
30 mm length	3896300000

Padlock with two keys	Order No.
Stainless steel, 1.4301	0905680000

Note System accessories can be found after the Klippon® TB QL product pages.



Max. number of terminals (industry)

Max. number of terminals (industry)	vertical	horizontal
2,5 mm ²	2x35	2x34
4 mm ²	1x30	1x29
6 mm ²	1x22	1x22
10 mm ²	1x18	1x17
16 mm ²	1x15	1x14
35 mm ²		

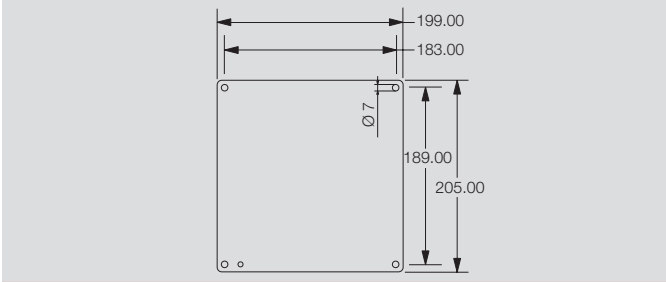
Note *For enclosure versions with zero, one or two gland plates, the horizontal gap between the mounting feet is reduced by 30 mm. Assembly with terminal blocks provides for 10 mm clearance to the ends of the mounting rail. Recommended order: TS35 mounting rail (screw terminal) WDU 2.5 1020000000 / (tension clamp terminal) ZDU 2.5 1608510000 / (tension clamp terminal) PDU 2.5 1896110000 TS32 mounting rail (screw terminal) SAK 2.5 0279660000 TS15 mounting rail (screw terminal) AKZ 2.5 0697160000

Number of cable entries

Number of cable entries	A / B	C / D
M12	33	25
M16	22	16
M20	14	11
M25	12	9
M32	6	4
M40	5	4
M50	2	2
M63	2	1
M75	1	1

Note Our IP68 brass cable glands serve as a reference for these recommended values.

Dimensions of mounting plate





Height/Width/Depth 306 / 306 / 150 mm

Ordering data

Stainless steel 1.4404 316L, electropolished	Order No.
1 gland plate - positioned bottom side (B)	1194710000
2 gland plates - positioned top and bottom sides (A & B)	1194720000
3 gland plates - positioned bottom, left and right sides (B, C & D)	1194730000
4 gland plates - positioned top, bottom, left and right sides (A, B, C & D)	1194740000

Note Painted sheet steel enclosure available on request. Standard colour is similar to RAL 7035.

Accessories

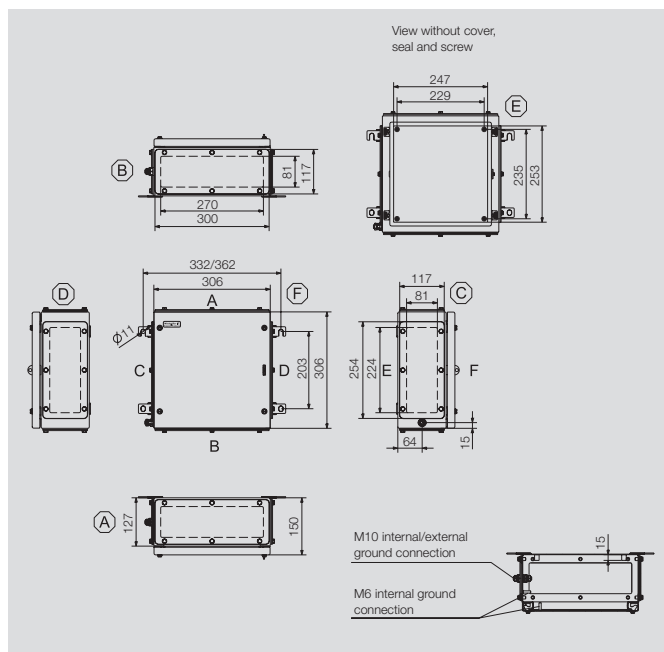
Mounting plate	Order No.
Steel sheet, zintec	1193960000
Stainless steel, 1.4301	1193830000

Stainless steel-Spacer M6 x 8, set of 4	Order No.
10 mm length	0935110000
15 mm length	0935120000
20 mm length	0935130000
30 mm length	0935140000

Sheet steel nickel plated Spacer M6 x 8, set of 2	Order No.
15 mm length	3896100000
20 mm length	3896200000
30 mm length	3896300000

Padlock with two keys	Order No.
Stainless steel, 1.4301	0905680000

Note System accessories can be found after the Klippon® TB QL product pages.



Max. number of terminals (industry)

Max. number of terminals (industry)	vertical	horizontal
2,5 mm ²	2x44	2x43
4 mm ²	2x37	2x36
6 mm ²	2x28	2x27
10 mm ²	1x22	1x22
16 mm ²	1x19	1x18
35 mm ²	1x14	1x13

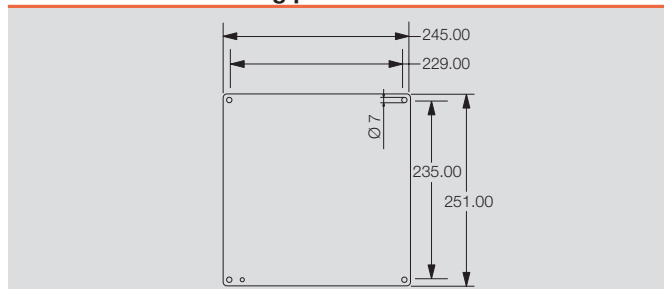
Note *For enclosure versions with zero, one or two gland plates, the horizontal gap between the mounting feet is reduced by 30 mm. Assembly with terminal blocks provides for 10 mm clearance to the ends of the mounting rail. Recommended order: TS35 mounting rail (screw terminal) WDU 2.5 1020000000 / (tension clamp terminal) ZDU 2.5 1608510000 / (tension clamp terminal) PDU 2.5 1896110000 TS32 mounting rail (screw terminal) SAK 2.5 0279660000 TS15 mounting rail (screw terminal) AKZ 2.5 0697160000

Number of cable entries

Number of cable entries	A / B	C / D
M12	24	20
M16	13	11
M20	11	9
M25	5	4
M32	4	3
M40	3	3
M50	3	2
M63	0	0
M75	0	0

Note Our IP68 brass cable glands are used as the reference for these guideline values.

Dimensions of mounting plate



Klippon® TB MH 303020

Depth 200 mm



Height/Width/Depth 306 / 306 / 200 mm

Ordering data

Stainless steel 1.4404 316L, electropolished	Order No.
1 gland plate - positioned bottom side (B)	1194760000
2 gland plates - positioned top and bottom sides (A & B)	1194770000
3 gland plates - positioned bottom, left and right sides (B, C & D)	1194780000
4 gland plates - positioned top, bottom, left and right sides (A, B, C & D)	1194790000

Note Painted sheet steel enclosure available on request. Standard colour is similar to RAL 7035.

Accessories

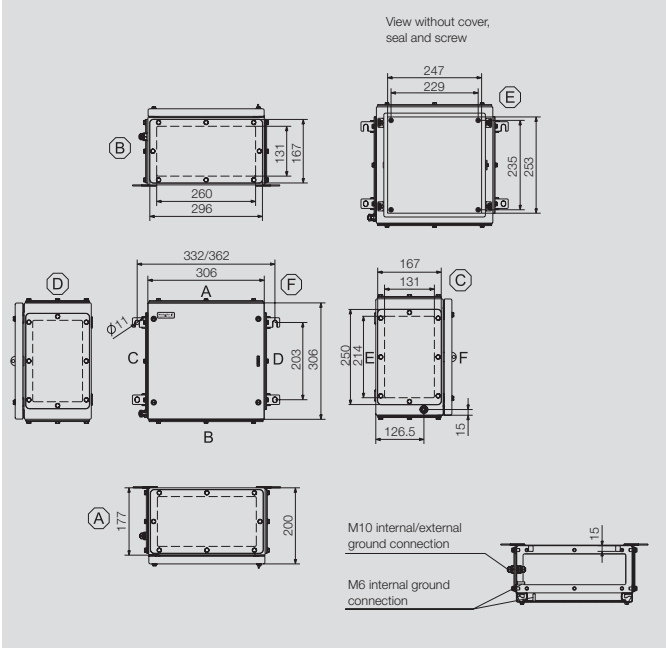
Mounting plate	Order No.
Steel sheet, zintec	1193960000
Stainless steel, 1.4301	1193830000

Stainless steel-Spacer M6 x 8, set of 4	Order No.
10 mm length	0935110000
15 mm length	0935120000
20 mm length	0935130000
30 mm length	0935140000

Sheet steel nickel plated Spacer M6 x 8, set of 2	Order No.
15 mm length	3896100000
20 mm length	3896200000
30 mm length	3896300000

Padlock with two keys	Order No.
Stainless steel, 1.4301	0905680000

Note System accessories can be found after the Klippon® TB QL product pages.



Max. number of terminals (industry)

Max. number of terminals (industry)	vertical	horizontal
2,5 mm ²	2x44	2x43
4 mm ²	2x37	2x36
6 mm ²	2x28	2x27
10 mm ²	1x22	1x22
16 mm ²	1x19	1x18
35 mm ²	1x14	1x13

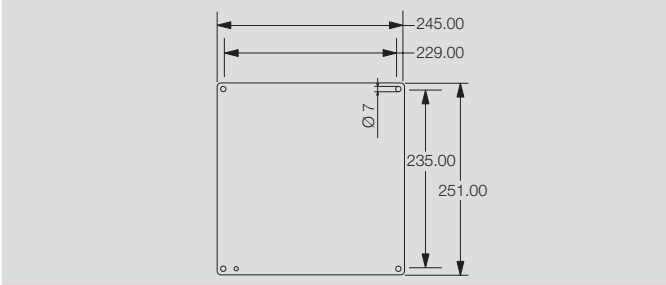
Note *For enclosure versions with zero, one or two gland plates, the horizontal gap between the mounting feet is reduced by 30 mm. Assembly with terminal blocks provides for 10 mm clearance to the ends of the mounting rail. Recommended order: TS35 mounting rail (screw terminal) WDU 2.5 102000000 / (tension clamp terminal) ZDU 2.5 1608510000 / (tension clamp terminal) PDU 2.5 1896110000 TS32 mounting rail (screw terminal) SAK 2.5 0279660000 TS15 mounting rail (screw terminal) AKZ 2.5 0697160000

Number of cable entries

Number of cable entries	A / B	C / D
M12	40	33
M16	26	22
M20	17	14
M25	14	12
M32	8	6
M40	6	5
M50	3	2
M63	2	2
M75	2	1

Note Our IP68 brass cable glands serve as a reference for these recommended values.

Dimensions of mounting plate





Height/Width/Depth 350 / 260 / 150 mm

Ordering data

Stainless steel 1.4404 316L, electropolished	Order No.
1 gland plate - positioned bottom side (B)	1194810000
2 gland plates - positioned top and bottom sides (A & B)	1194820000
3 gland plates - positioned bottom, left and right sides (B, C & D)	1194830000
4 gland plates - positioned top, bottom, left and right sides (A, B, C & D)	1194840000

Note Painted sheet steel enclosure available on request. Standard colour is similar to RAL 7035.

Accessories

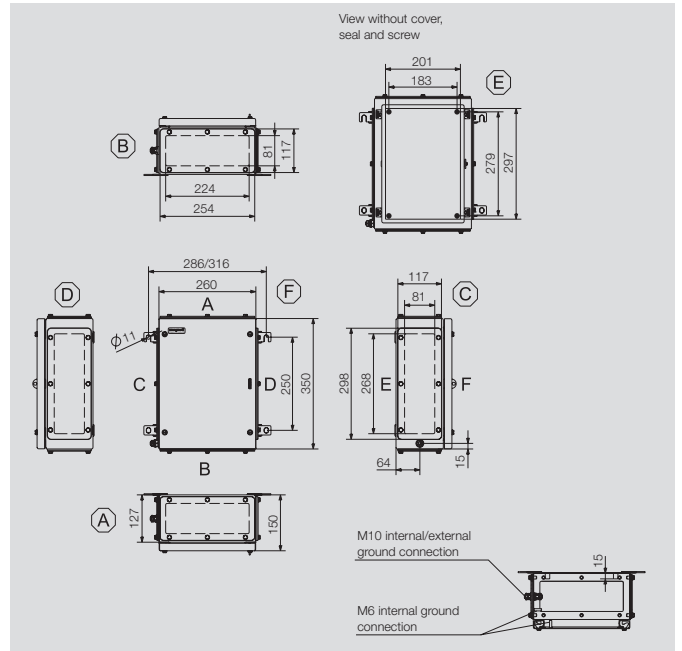
Mounting plate	Order No.
Steel sheet, zintec	1193970000
Stainless steel, 1.4301	1193840000

Stainless steel-Spacer M6 x 8, set of 4	Order No.
10 mm length	0935110000
15 mm length	0935120000
20 mm length	0935130000
30 mm length	0935140000

Sheet steel nickel plated Spacer M6 x 8, set of 2	Order No.
15 mm length	3896100000
20 mm length	3896200000
30 mm length	3896300000

Padlock with two keys	Order No.
Stainless steel, 1.4301	0905680000

Note System accessories can be found after the Klippon® TB QL product pages.



Max. number of terminals (industry)

Max. number of terminals (industry)	vertical	horizontal
2,5 mm ²	2x53	2x34
4 mm ²	1x44	2x29
6 mm ²	1x33	2x22
10 mm ²	1x27	2x17
16 mm ²	1x22	1x14
35 mm ²		1x11

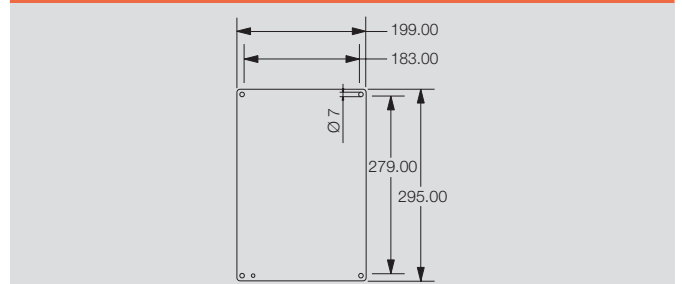
Note *For enclosure versions with zero, one or two gland plates, the horizontal gap between the mounting feet is reduced by 30 mm. Assembly with terminal blocks provides for 10 mm clearance to the ends of the mounting rail. Recommended order: TS35 mounting rail (screw terminal) WDU 2.5 1020000000 / (tension clamp terminal) ZDU 2.5 1608510000 / (tension clamp terminal) PDU 2.5 1896110000 TS32 mounting rail (screw terminal) SAK 2.5 0279660000 TS15 mounting rail (screw terminal) AKZ 2.5 0697160000

Number of cable entries

Number of cable entries	A / B	C / D
M12	20	23
M16	11	13
M20	9	11
M25	4	5
M32	3	4
M40	3	3
M50	2	3
M63	0	0
M75	0	0

Note Our IP68 brass cable glands are used as the reference for these guideline values.

Dimensions of mounting plate





Height/Width/Depth 350 / 260 / 200 mm

Ordering data

Stainless steel 1.4404 316L, electropolished	Order No.
1 gland plate - positioned bottom side (B)	1194860000
2 gland plates - positioned top and bottom sides (A & B)	1194870000
3 gland plates - positioned bottom, left and right sides (B, C & D)	1194880000
4 gland plates - positioned top, bottom, left and right sides (A, B, C & D)	1194890000

Note Painted sheet steel enclosure available on request. Standard colour is similar to RAL 7035.

Accessories

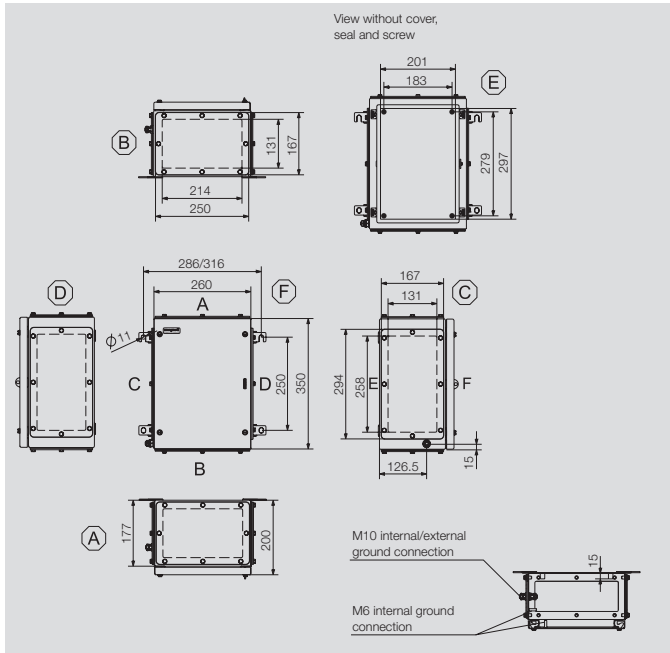
Mounting plate	Order No.
Steel sheet, zintec	1193970000
Stainless steel, 1.4301	1193840000

Stainless steel-Spacer M6 x 8, set of 4	Order No.
10 mm length	0935110000
15 mm length	0935120000
20 mm length	0935130000
30 mm length	0935140000

Sheet steel nickel plated Spacer M6 x 8, set of 2	Order No.
15 mm length	3896100000
20 mm length	3896200000
30 mm length	3896300000

Padlock with two keys	Order No.
Stainless steel, 1.4301	0905680000

Note System accessories can be found after the Klippon® TB QL product pages.



Max. number of terminals (industry)

Max. number of terminals (industry)	vertical	horizontal
2,5 mm ²	2x53	2x34
4 mm ²	1x44	2x29
6 mm ²	1x33	2x22
10 mm ²	1x27	2x17
16 mm ²	1x22	1x14
35 mm ²		1x11

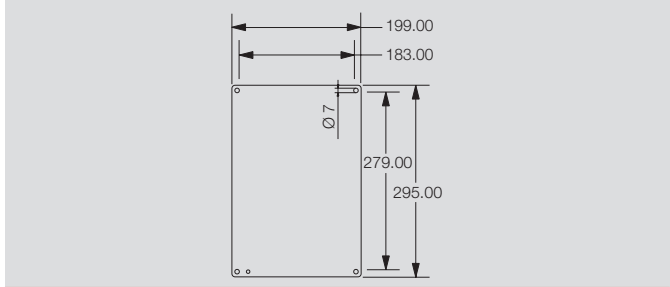
Note *For enclosure versions with zero, one or two gland plates, the horizontal gap between the mounting feet is reduced by 30 mm. Assembly with terminal blocks provides for 10 mm clearance to the ends of the mounting rail. Recommended order: TS35 mounting rail (screw terminal) WDU 2.5 1020000000 / (tension clamp terminal) ZDU 2.5 1608510000 / (tension clamp terminal) PDU 2.5 1896110000 TS32 mounting rail (screw terminal) SAK 2.5 0279660000 TS15 mounting rail (screw terminal) AKZ 2.5 0697160000

Number of cable entries

Number of cable entries	A / B	C / D
M12	33	38
M16	22	26
M20	14	17
M25	12	14
M32	6	7
M40	5	6
M50	2	3
M63	2	2
M75	1	2

Note Our IP68 brass cable glands serve as a reference for these recommended values.

Dimensions of mounting plate





Height/Width/Depth 400 / 300 / 150 mm

Ordering data

Stainless steel 1.4404 316L, electropolished	Order No.
1 gland plate - positioned bottom side (B)	1194910000
2 gland plates - positioned top and bottom sides (A & B)	1194920000
3 gland plates - positioned bottom, left and right sides (B, C & D)	1194930000
4 gland plates - positioned top, bottom, left and right sides (A, B, C & D)	1194940000

Note Painted sheet steel enclosure available on request. Standard colour is similar to RAL 7035.

Accessories

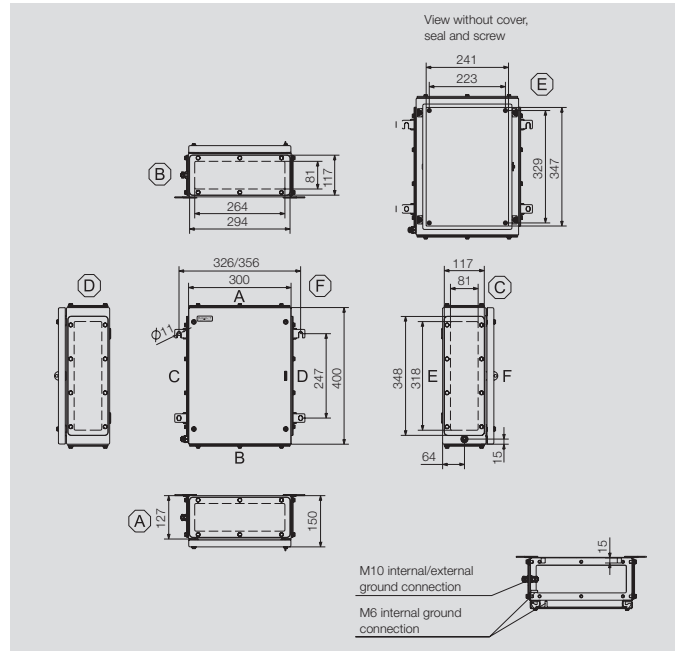
Mounting plate	Order No.
Steel sheet, zintec	1193980000
Stainless steel, 1.4301	1193850000

Stainless steel-Spacer M6 x 8, set of 4	Order No.
10 mm length	0935110000
15 mm length	0935120000
20 mm length	0935130000
30 mm length	0935140000

Sheet steel nickel plated Spacer M6 x 8, set of 2	Order No.
15 mm length	3896100000
20 mm length	3896200000
30 mm length	3896300000

Padlock with two keys	Order No.
Stainless steel, 1.4301	0905680000

Note System accessories can be found after the Klippon® TB QL product pages.



Max. number of terminals (industry)

Max. number of terminals (industry)	vertical	horizontal
2,5 mm²	2x62	3x42
4 mm²	2x52	3x35
6 mm²	1x39	2x26
10 mm²	1x32	2x21
16 mm²	1x26	2x18
35 mm²	1x20	1x13

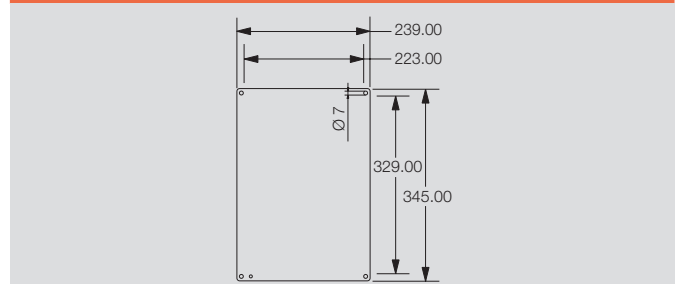
Note *For enclosure versions with zero, one or two gland plates, the horizontal gap between the mounting feet is reduced by 30 mm. Assembly with terminal blocks provides for 10 mm clearance to the ends of the mounting rail. Recommended order: TS35 mounting rail (screw terminal) WDU 2.5 102000000 / (tension clamp terminal) ZDU 2.5 1608510000 / (tension clamp terminal) PDU 2.5 1896110000 TS32 mounting rail (screw terminal) SAK 2.5 0279660000 TS15 mounting rail (screw terminal) AKZ 2.5 0697160000

Number of cable entries

Number of cable entries	A / B	C / D
M12	23	29
M16	13	16
M20	11	13
M25	5	6
M32	4	5
M40	3	4
M50	3	3
M63	0	0
M75	0	0

Note Our IP68 brass cable glands are used as the reference for these guideline values.

Dimensions of mounting plate



Klippon® TB MH 403020

Depth 200 mm



Height/Width/Depth 400 / 300 / 200 mm

Ordering data

Stainless steel 1.4404 316L, electropolished	Order No.
1 gland plate - positioned bottom side (B)	1194960000
2 gland plates - positioned top and bottom sides (A & B)	1194970000
3 gland plates - positioned bottom, left and right sides (B, C & D)	1194980000
4 gland plates - positioned top, bottom, left and right sides (A, B, C & D)	1194990000

Note Painted sheet steel enclosure available on request. Standard colour is similar to RAL 7035.

Accessories

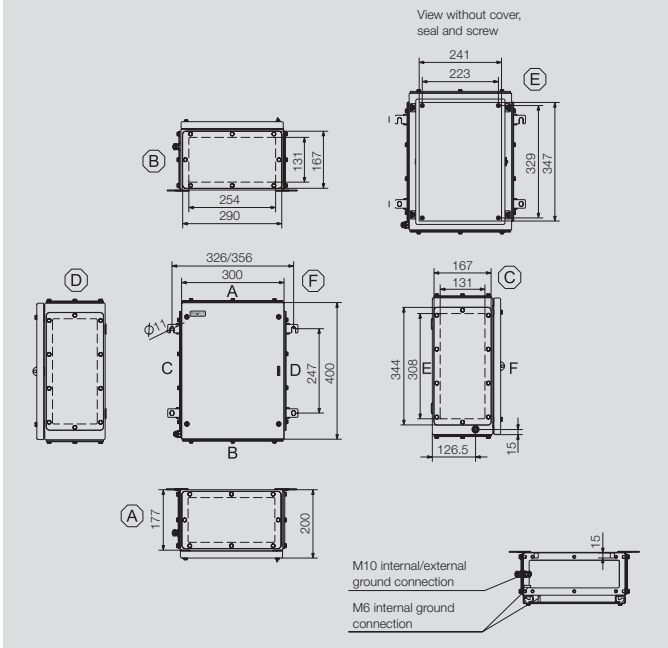
Mounting plate	Order No.
Steel sheet, zintec	1193980000
Stainless steel, 1.4301	1193850000

Stainless steel-Spacer M6 x 8, set of 4	Order No.
10 mm length	0935110000
15 mm length	0935120000
20 mm length	0935130000
30 mm length	0935140000

Sheet steel nickel plated Spacer M6 x 8, set of 2	Order No.
15 mm length	3896100000
20 mm length	3896200000
30 mm length	3896300000

Padlock with two keys	Order No.
Stainless steel, 1.4301	0905680000

Note System accessories can be found after the Klippon® TB QL product pages.



Max. number of terminals (industry)

Max. number of terminals (industry)	vertical	horizontal
2,5 mm ²	2x62	3x42
4 mm ²	2x52	3x35
6 mm ²	1x39	2x26
10 mm ²	1x32	2x21
16 mm ²	1x26	2x18
35 mm ²	1x20	1x13

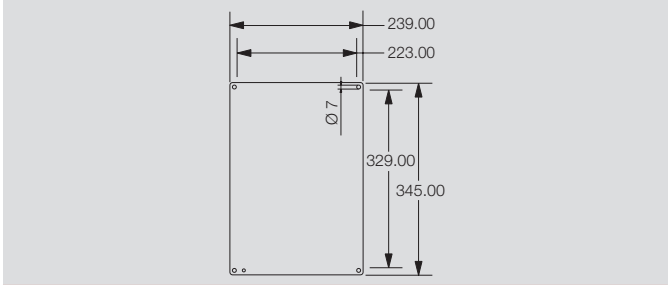
Note *For enclosure versions with zero, one or two gland plates, the horizontal gap between the mounting feet is reduced by 30 mm. Assembly with terminal blocks provides for 10 mm clearance to the ends of the mounting rail. Recommended order: TS35 mounting rail (screw terminal) WDU 2.5 1020000000 / (tension clamp terminal) ZDU 2.5 1608510000 / (tension clamp terminal) PDU 2.5 1896110000 TS32 mounting rail (screw terminal) SAK 2.5 0279660000 TS15 mounting rail (screw terminal) AKZ 2.5 0697160000

Number of cable entries

Number of cable entries	A / B	C / D
M12	38	48
M16	26	32
M20	17	20
M25	14	17
M32	7	9
M40	6	7
M50	3	3
M63	2	3
M75	2	2

Note Our IP68 brass cable glands serve as a reference for these recommended values.

Dimensions of mounting plate





Height/Width/Depth 458 / 382 / 150 mm

Ordering data

Stainless steel 1.4404 316L, electropolished	Order No.
1 gland plate - positioned bottom side (B)	1195010000
2 gland plates - positioned top and bottom sides (A & B)	1195020000
3 gland plates - positioned bottom, left and right sides (B, C & D)	1195030000
4 gland plates - positioned top, bottom, left and right sides (A, B, C & D)	1195040000

Note Painted sheet steel enclosure available on request. Standard colour is similar to RAL 7035.

Accessories

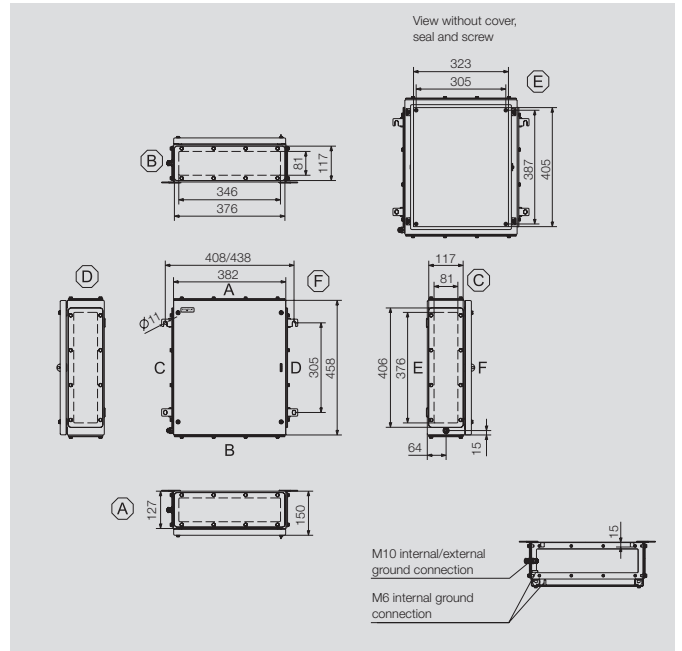
Mounting plate	Order No.
Steel sheet, zintec	1193990000
Stainless steel, 1.4301	1193860000

Stainless steel-Spacer M6 x 8, set of 4	Order No.
10 mm length	0935110000
15 mm length	0935120000
20 mm length	0935130000
30 mm length	0935140000

Sheet steel nickel plated Spacer M6 x 8, set of 2	Order No.
15 mm length	3896100000
20 mm length	3896200000
30 mm length	3896300000

Padlock with two keys	Order No.
Stainless steel, 1.4301	0905680000

Note System accessories can be found after the Klippon® TB QL product pages.



Max. number of terminals (industry)

Max. number of terminals (industry)	vertical	horizontal
2,5 mm ²	3x73	4x58
4 mm ²	2x62	3x48
6 mm ²	2x46	3x36
10 mm ²	2x37	2x29
16 mm ²	2x31	2x24
35 mm ²	1x23	1x18

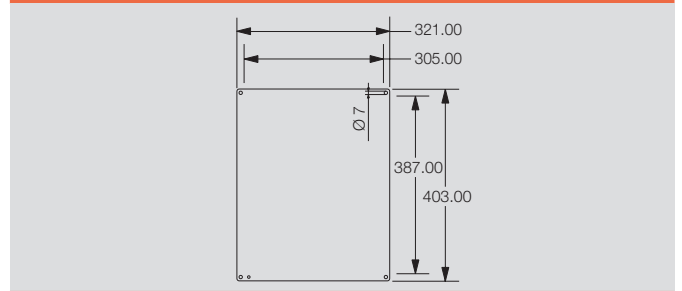
Note *For enclosure versions with zero, one or two gland plates, the horizontal gap between the mounting feet is reduced by 30 mm. Assembly with terminal blocks provides for 10 mm clearance to the ends of the mounting rail. Recommended order: TS35 mounting rail (screw terminal) WDU 2.5 1020000000 / (tension clamp terminal) ZDU 2.5 1608510000 / (tension clamp terminal) PDU 2.5 1896110000 TS32 mounting rail (screw terminal) SAK 2.5 0279660000 TS15 mounting rail (screw terminal) AKZ 2.5 0697160000

Number of cable entries

Number of cable entries	A / B	C / D
M12	30	33
M16	17	19
M20	15	16
M25	6	7
M32	5	6
M40	4	5
M50	4	4
M63	0	0
M75	0	0

Note Our IP68 brass cable glands serve as a reference for these recommended values.

Dimensions of mounting plate





Height/Width/Depth 458 / 382 / 200 mm

Ordering data

Stainless steel 1.4404 316L, electropolished	Order No.
1 gland plate - positioned bottom side (B)	1195060000
2 gland plates - positioned top and bottom sides (A & B)	1195070000
3 gland plates - positioned bottom, left and right sides (B, C & D)	1195080000
4 gland plates - positioned top, bottom, left and right sides (A, B, C & D)	1195090000

Note Painted sheet steel enclosure available on request. Standard colour is similar to RAL 7035.

Accessories

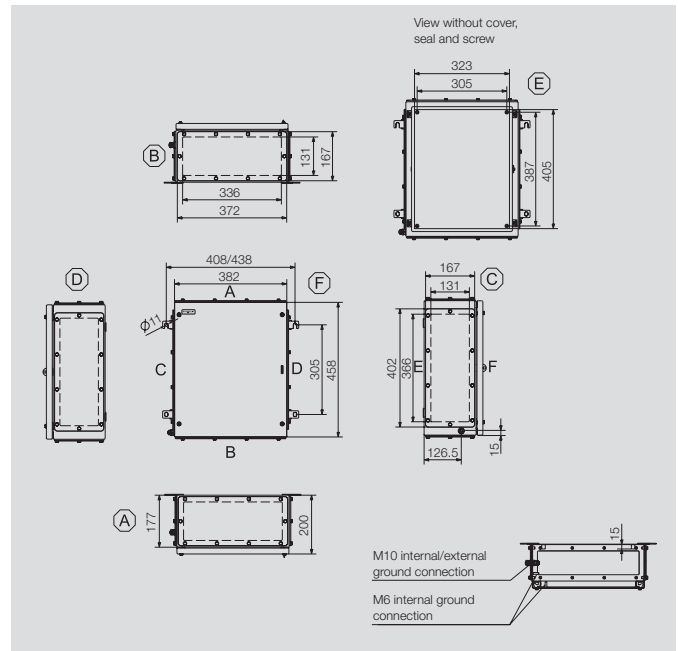
Mounting plate	Order No.
Steel sheet, zintec	1193990000
Stainless steel, 1.4301	1193860000

Stainless steel-Spacer M6 x 8, set of 4	Order No.
10 mm length	0935110000
15 mm length	0935120000
20 mm length	0935130000
30 mm length	0935140000

Sheet steel nickel plated Spacer M6 x 8, set of 2	Order No.
15 mm length	3896100000
20 mm length	3896200000
30 mm length	3896300000

Padlock with two keys	Order No.
Stainless steel, 1.4301	0905680000

Note System accessories can be found after the Klippon® TB QL product pages.



Max. number of terminals (industry)

Max. number of terminals (industry)	vertical	horizontal
2,5 mm²	3x73	4x58
4 mm²	2x62	3x48
6 mm²	2x46	3x36
10 mm²	2x37	2x29
16 mm²	2x31	2x24
35 mm²	1x23	1x18

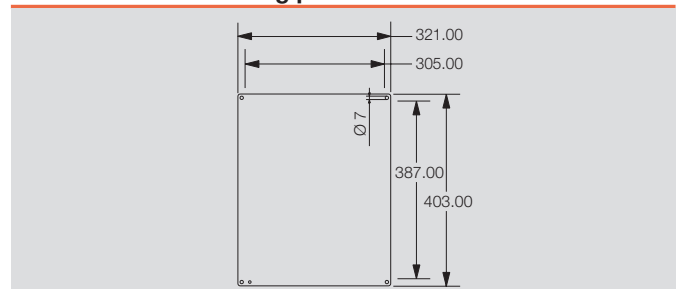
Note *For enclosure versions with zero, one or two gland plates, the horizontal gap between the mounting feet is reduced by 30 mm. Assembly with terminal blocks provides for 10 mm clearance to the ends of the mounting rail. Recommended order: TS35 mounting rail (screw terminal) WDU 2.5 1020000000 / (tension clamp terminal) ZDU 2.5 1608510000 / (tension clamp terminal) PDU 2.5 1896110000 TS32 mounting rail (screw terminal) SAK 2.5 0279660000 TS15 mounting rail (screw terminal) AKZ 2.5 0697160000

Number of cable entries

Number of cable entries	A / B	C / D
M12	50	55
M16	34	38
M20	23	24
M25	18	21
M32	10	11
M40	8	9
M50	4	4
M63	3	3
M75	2	3

Note Our IP68 brass cable glands are used as the reference for these guideline values.

Dimensions of mounting plate





Height/Width/Depth 480 / 480 / 150 mm

Ordering data

Stainless steel 1.4404 316L, electropolished	Order No.
1 gland plate - positioned bottom side (B)	1195110000
2 gland plates - positioned top and bottom sides (A & B)	1195120000
3 gland plates - positioned bottom, left and right sides (B, C & D)	1195130000
4 gland plates - positioned top, bottom, left and right sides (A, B, C & D)	1195140000

Note Painted sheet steel enclosure available on request. Standard colour is similar to RAL 7035.

Accessories

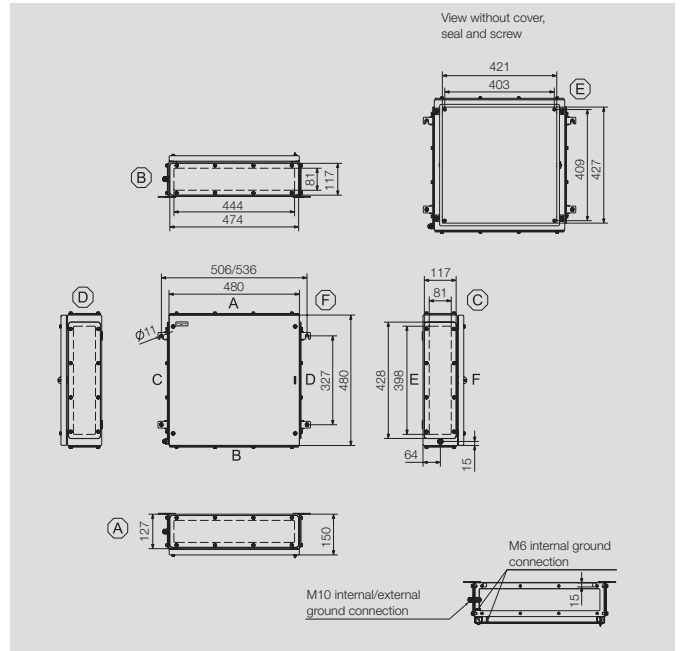
Mounting plate	Order No.
Steel sheet, zintec	1194000000
Stainless steel, 1.4301	1193870000

Stainless steel-Spacer M6 x 8, set of 4	Order No.
10 mm length	0935110000
15 mm length	0935120000
20 mm length	0935130000
30 mm length	0935140000

Sheet steel nickel plated Spacer M6 x 8, set of 2	Order No.
15 mm length	3896100000
20 mm length	3896200000
30 mm length	3896300000

Padlock with two keys	Order No.
Stainless steel, 1.4301	0905680000

Note System accessories can be found after the Klippon® TB QL product pages.



Max. number of terminals (industry)

Max. number of terminals (industry)	vertical	horizontal
2,5 mm²	4x78	4x77
4 mm²	3x65	3x64
6 mm²	3x49	3x48
10 mm²	2x39	3x39
16 mm²	2x33	2x32
35 mm²	1x25	2x24

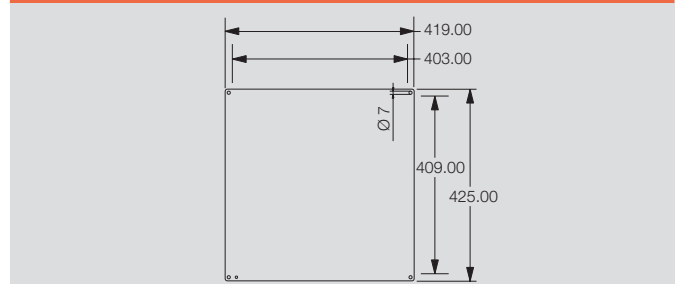
Note *For enclosure versions with zero, one or two gland plates, the horizontal gap between the mounting feet is reduced by 30 mm. Assembly with terminal blocks provides for 10 mm clearance to the ends of the mounting rail. Recommended order: TS35 mounting rail (screw terminal) WDU 2.5 1020000000 / (tension clamp terminal) ZDU 2.5 1608510000 / (tension clamp terminal) PDU 2.5 1896110000 TS32 mounting rail (screw terminal) SAK 2.5 0279660000 TS15 mounting rail (screw terminal) AKZ 2.5 0697160000

Number of cable entries

Number of cable entries	A / B	C / D
M12	39	36
M16	22	20
M20	19	17
M25	8	7
M32	7	6
M40	6	5
M50	5	4
M63	0	0
M75	0	0

Note Our IP68 brass cable glands serve as a reference for these recommended values.

Dimensions of mounting plate



Klippon® TB MH 484820

Depth 200 mm



Height/Width/Depth 480 / 480 / 200 mm

Ordering data

Stainless steel 1.4404 316L, electropolished	Order No.
1 gland plate - positioned bottom side (B)	1195160000
2 gland plates - positioned top and bottom sides (A & B)	1195170000
3 gland plates - positioned bottom, left and right sides (B, C & D)	1195180000
4 gland plates - positioned top, bottom, left and right sides (A, B, C & D)	1195190000

Note Painted sheet steel enclosure available on request. Standard colour is similar to RAL 7035.

Accessories

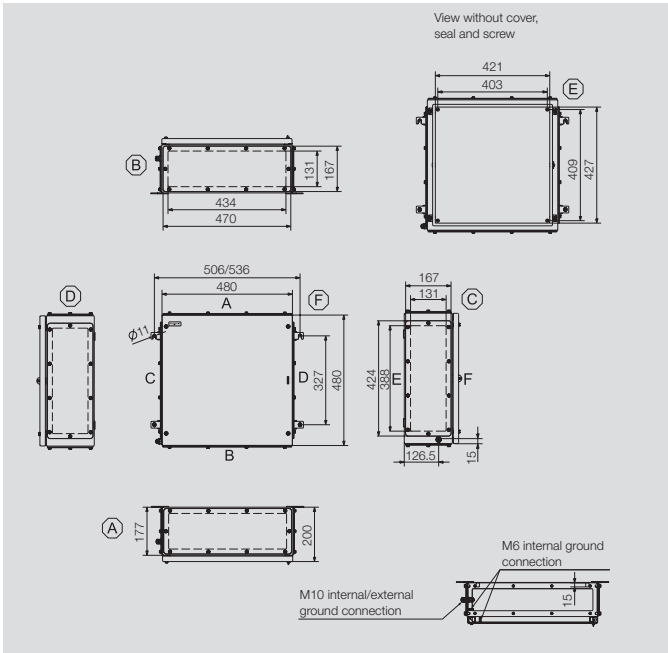
Mounting plate	Order No.
Steel sheet, zintec	1194000000
Stainless steel, 1.4301	1193870000

Stainless steel-Spacer M6 x 8, set of 4	Order No.
10 mm length	0935110000
15 mm length	0935120000
20 mm length	0935130000
30 mm length	0935140000

Sheet steel nickel plated Spacer M6 x 8, set of 2	Order No.
15 mm length	3896100000
20 mm length	3896200000
30 mm length	3896300000

Padlock with two keys	Order No.
Stainless steel, 1.4301	0905680000

Note System accessories can be found after the Klippon® TB QL product pages.



Max. number of terminals (industry)

Max. number of terminals (industry)	vertical	horizontal
2,5 mm ²	4x78	4x77
4 mm ²	3x65	3x64
6 mm ²	3x49	3x48
10 mm ²	2x39	3x39
16 mm ²	2x33	2x32
35 mm ²	1x25	2x24

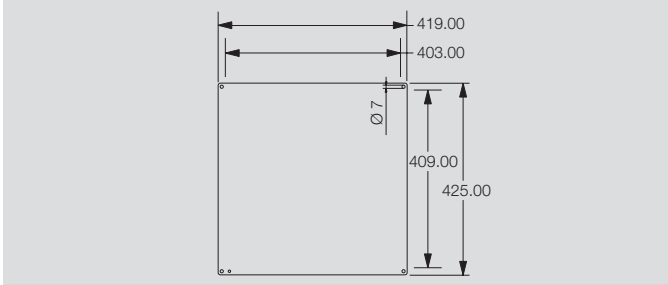
Note *For enclosure versions with zero, one or two gland plates, the horizontal gap between the mounting feet is reduced by 30 mm. Assembly with terminal blocks provides for 10 mm clearance to the ends of the mounting rail. Recommended order: TS35 mounting rail (screw terminal) WDU 2.5 1020000000 / (tension clamp terminal) ZDU 2.5 1608510000 / (tension clamp terminal) PDU 2.5 1896110000 TS32 mounting rail (screw terminal) SAK 2.5 0279660000 TS15 mounting rail (screw terminal) AKZ 2.5 0697160000

Number of cable entries

Number of cable entries	A / B	C / D
M12	65	60
M16	44	40
M20	29	26
M25	24	21
M32	13	12
M40	11	10
M50	5	4
M63	4	4
M75	3	3

Note Our IP68 brass cable glands are used as the reference for these guideline values.

Dimensions of mounting plate





Height/Width/Depth 550 / 350 / 150 mm

Ordering data

Stainless steel 1.4404 316L, electropolished	Order No.
1 gland plate - positioned bottom side (B)	1195210000
2 gland plates - positioned top and bottom sides (A & B)	1195220000
3 gland plates - positioned bottom, left and right sides (B, C & D)	1195230000
4 gland plates - positioned top, bottom, left and right sides (A, B, C & D)	1195240000

Note Painted sheet steel enclosure available on request. Standard colour is similar to RAL 7035.

Accessories

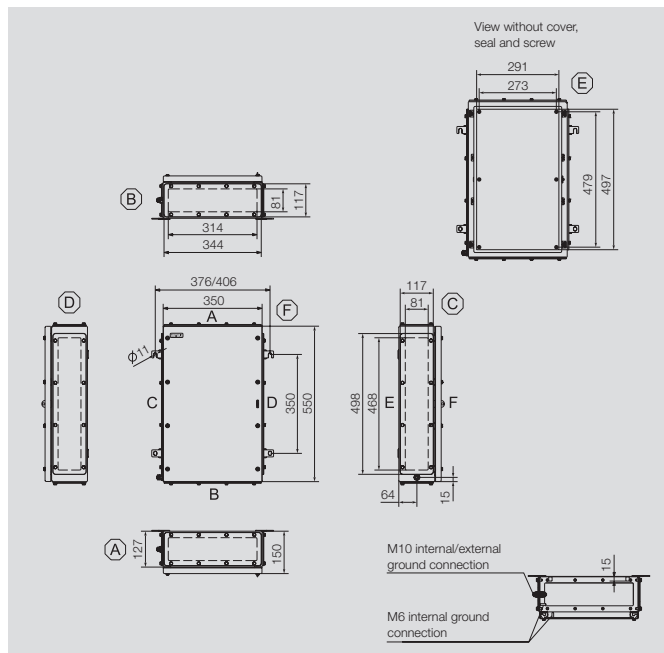
Mounting plate	Order No.
Steel sheet, zintec	1194010000
Stainless steel, 1.4301	1193880000

Stainless steel-Spacer M6 x 8, set of 4	Order No.
10 mm length	0935110000
15 mm length	0935120000
20 mm length	0935130000
30 mm length	0935140000

Sheet steel nickel plated Spacer M6 x 8, set of 2	Order No.
15 mm length	3896100000
20 mm length	3896200000
30 mm length	3896300000

Padlock with two keys	Order No.
Stainless steel, 1.4301	0905680000

Note System accessories can be found after the Klippon® TB QL product pages.



Max. number of terminals (industry)

Max. number of terminals (industry)	vertical	horizontal
2,5 mm ²	2x91	4x52
4 mm ²	2x76	4x43
6 mm ²	2x58	4x32
10 mm ²	2x46	3x26
16 mm ²	1x39	3x22
35 mm ²	1x29	2x16

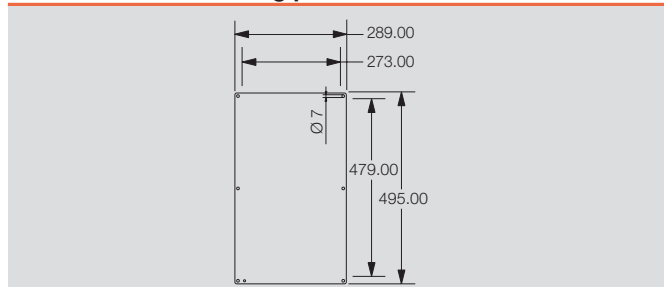
Note *For enclosure versions with zero, one or two gland plates, the horizontal gap between the mounting feet is reduced by 30 mm. Assembly with terminal blocks provides for 10 mm clearance to the ends of the mounting rail. Recommended order: TS35 mounting rail (screw terminal) WDU 2.5 1020000000 / (tension clamp terminal) ZDU 2.5 1608510000 / (tension clamp terminal) PDU 2.5 1896110000 TS32 mounting rail (screw terminal) SAK 2.5 0279660000 TS15 mounting rail (screw terminal) AKZ 2.5 0697160000

Number of cable entries

Number of cable entries	A / B	C / D
M12	27	42
M16	15	24
M20	13	20
M25	6	9
M32	5	7
M40	4	6
M50	3	5
M63	0	0
M75	0	0

Note Our IP68 brass cable glands are used as the reference for these guideline values.

Dimensions of mounting plate



Klippon® TB MH 553520

Depth 200 mm



Height/Width/Depth 550 / 350 / 200 mm

Ordering data

Stainless steel 1.4404 316L, electropolished	Order No.
1 gland plate - positioned bottom side (B)	1195260000
2 gland plates - positioned top and bottom sides (A & B)	1195270000
3 gland plates - positioned bottom, left and right sides (B, C & D)	1195280000
4 gland plates - positioned top, bottom, left and right sides (A, B, C & D)	1195290000

Note Painted sheet steel enclosure available on request. Standard colour is similar to RAL 7035.

Accessories

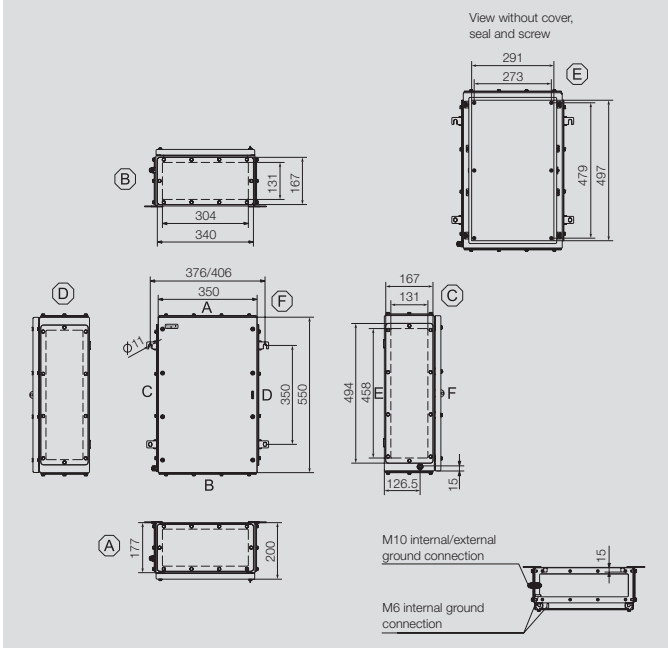
Mounting plate	Order No.
Steel sheet, zintec	1194010000
Stainless steel, 1.4301	1193880000

Stainless steel-Spacer M6 x 8, set of 4	Order No.
10 mm length	0935110000
15 mm length	0935120000
20 mm length	0935130000
30 mm length	0935140000

Sheet steel nickel plated Spacer M6 x 8, set of 2	Order No.
15 mm length	3896100000
20 mm length	3896200000
30 mm length	3896300000

Padlock with two keys	Order No.
Stainless steel, 1.4301	0905680000

Note System accessories can be found after the Klippon® TB QL product pages.



Max. number of terminals (industry)

Max. number of terminals (industry)	vertical	horizontal
2,5 mm ²	2x91	4x52
4 mm ²	2x76	4x43
6 mm ²	2x58	4x32
10 mm ²	2x46	3x26
16 mm ²	1x39	3x22
35 mm ²	1x29	2x16

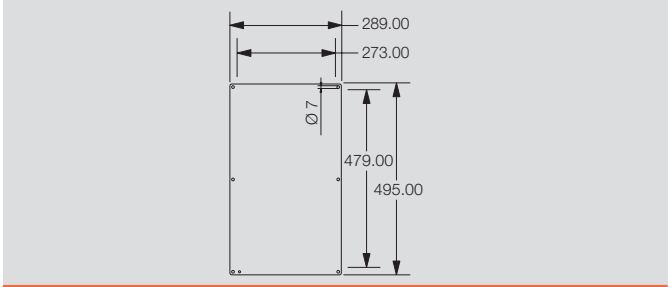
Note *For enclosure versions with zero, one or two gland plates, the horizontal gap between the mounting feet is reduced by 30 mm. Assembly with terminal blocks provides for 10 mm clearance to the ends of the mounting rail. Recommended order: TS35 mounting rail (screw terminal) WDU 2.5 1020000000 / (tension clamp terminal) ZDU 2.5 1608510000 / (tension clamp terminal) PDU 2.5 1896110000 TS32 mounting rail (screw terminal) SAK 2.5 0279660000 TS15 mounting rail (screw terminal) AKZ 2.5 0697160000

Number of cable entries

Number of cable entries	A / B	C / D
M12	45	70
M16	30	48
M20	20	30
M25	17	26
M32	9	14
M40	7	12
M50	3	5
M63	3	4
M75	2	3

Note Our IP68 brass cable glands serve as a reference for these recommended values.

Dimensions of mounting plate





Height/Width/Depth 620 / 450 / 150 mm

Ordering data

Stainless steel 1.4404 316L, electropolished	Order No.
1 gland plate - positioned bottom side (B)	1195310000
2 gland plates - positioned top and bottom sides (A & B)	1195320000
3 gland plates - positioned bottom, left and right sides (B, C & D)	1195330000
4 gland plates - positioned top, bottom, left and right sides (A, B, C & D)	1195340000

Note Painted sheet steel enclosure available on request. Standard colour is similar to RAL 7035.

Accessories

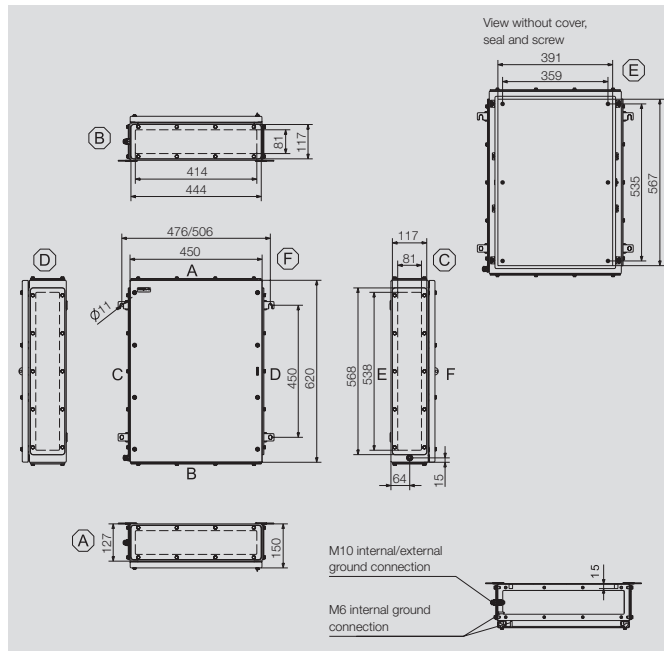
Mounting plate	Order No.
Steel sheet, zintec	1194020000
Stainless steel, 1.4301	1193890000

Stainless steel-Spacer M6 x 8, set of 4	Order No.
10 mm length	0935110000
15 mm length	0935120000
20 mm length	0935130000
30 mm length	0935140000

Sheet steel nickel plated Spacer M6 x 8, set of 2	Order No.
15 mm length	3896100000
20 mm length	3896200000
30 mm length	3896300000

Padlock with two keys	Order No.
Stainless steel, 1.4301	0905680000

Note System accessories can be found after the Klippon® TB QL product pages.



Max. number of terminals (industry)

Max. number of terminals (industry)	vertical	horizontal
2,5 mm ²	3x105	5x71
4 mm ²	3x88	5x59
6 mm ²	3x66	4x45
10 mm ²	2x53	4x36
16 mm ²	2x44	3x30
35 mm ²	1x33	2x22

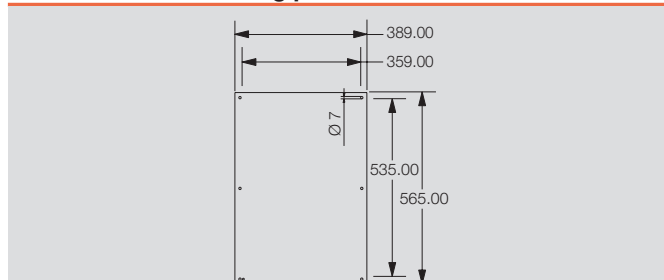
Note *For enclosure versions with zero, one or two gland plates, the horizontal gap between the mounting feet is reduced by 30 mm. Assembly with terminal blocks provides for 10 mm clearance to the ends of the mounting rail. Recommended order: TS35 mounting rail (screw terminal) WDU 2.5 1020000000 / (tension clamp terminal) ZDU 2.5 1608510000 / (tension clamp terminal) PDU 2.5 1896110000 TS32 mounting rail (screw terminal) SAK 2.5 0279660000 TS15 mounting rail (screw terminal) AKZ 2.5 0697160000

Number of cable entries

Number of cable entries	A / B	C / D
M12	38	48
M16	21	27
M20	18	24
M25	8	10
M32	6	9
M40	5	7
M50	4	6
M63	0	0
M75	0	0

Note Our IP68 brass cable glands serve as a reference for these recommended values.

Dimensions of mounting plate



Klippon® TB MH 624520

Depth 200 mm



Height/Width/Depth 620 / 450 / 200 mm

Ordering data

Stainless steel 1.4404 316L, electropolished	Order No.
1 gland plate - positioned bottom side (B)	1195360000
2 gland plates - positioned top and bottom sides (A & B)	1195370000
3 gland plates - positioned bottom, left and right sides (B, C & D)	1195380000
4 gland plates - positioned top, bottom, left and right sides (A, B, C & D)	1195390000

Note Painted sheet steel enclosure available on request. Standard colour is similar to RAL 7035.

Accessories

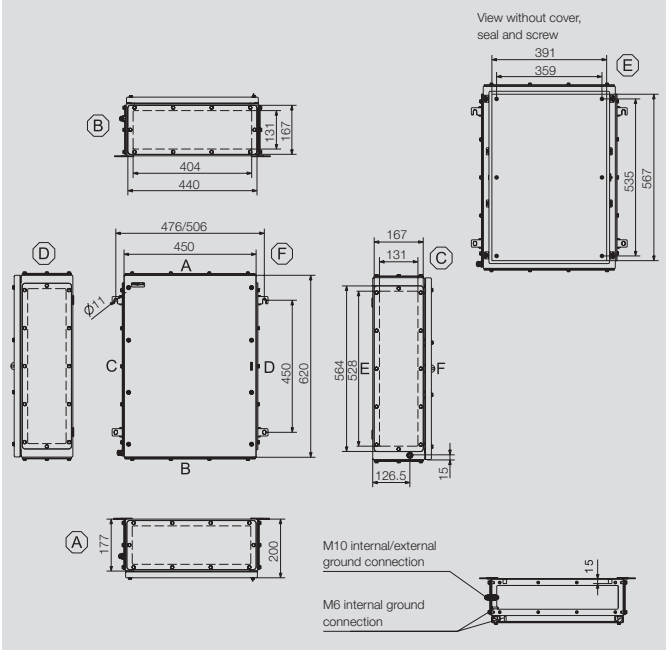
Mounting plate	Order No.
Steel sheet, zintec	1194020000
Stainless steel, 1.4301	1193890000

Stainless steel-Spacer M6 x 8, set of 4	Order No.
10 mm length	0935110000
15 mm length	0935120000
20 mm length	0935130000
30 mm length	0935140000

Sheet steel nickel plated Spacer M6 x 8, set of 2	Order No.
15 mm length	3896100000
20 mm length	3896200000
30 mm length	3896300000

Padlock with two keys	Order No.
Stainless steel, 1.4301	0905680000

Note System accessories can be found after the Klippon® TB QL product pages.



Max. number of terminals (industry)

Max. number of terminals (industry)	vertical	horizontal
2,5 mm ²	3x105	5x71
4 mm ²	3x88	5x59
6 mm ²	3x66	4x45
10 mm ²	2x53	4x36
16 mm ²	2x44	3x30
35 mm ²	1x33	2x22

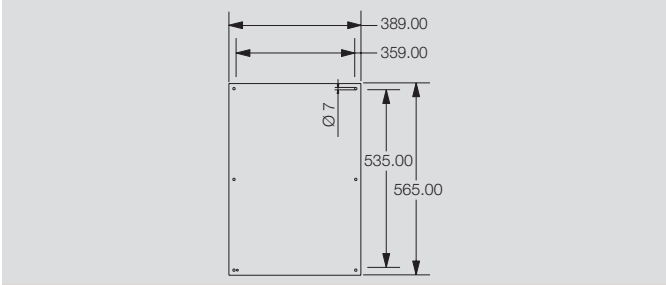
Note *For enclosure versions with zero, one or two gland plates, the horizontal gap between the mounting feet is reduced by 30 mm. Assembly with terminal blocks provides for 10 mm clearance to the ends of the mounting rail. Recommended order: TS35 mounting rail (screw terminal) WDU 2.5 1020000000 / (tension clamp terminal) ZDU 2.5 1608510000 / (tension clamp terminal) PDU 2.5 1896110000 TS32 mounting rail (screw terminal) SAK 2.5 0279660000 TS15 mounting rail (screw terminal) AKZ 2.5 0697160000

Number of cable entries

Number of cable entries	A / B	C / D
M12	63	80
M16	42	54
M20	27	36
M25	23	30
M32	12	17
M40	10	14
M50	4	6
M63	4	5
M75	3	4

Note Our IP68 brass cable glands are used as the reference for these guideline values.

Dimensions of mounting plate





Height/Width/Depth 762 / 508 / 150 mm

Ordering data

Stainless steel 1.4404 316L, electropolished	Order No.
1 gland plate - positioned bottom side (B)	1195410000
2 gland plates - positioned top and bottom sides (A & B)	1195420000
3 gland plates - positioned bottom, left and right sides (B, C & D)	1195430000
4 gland plates - positioned top, bottom, left and right sides (A, B, C & D)	1195440000

Note Painted sheet steel enclosure available on request. Standard colour is similar to RAL 7035.

Accessories

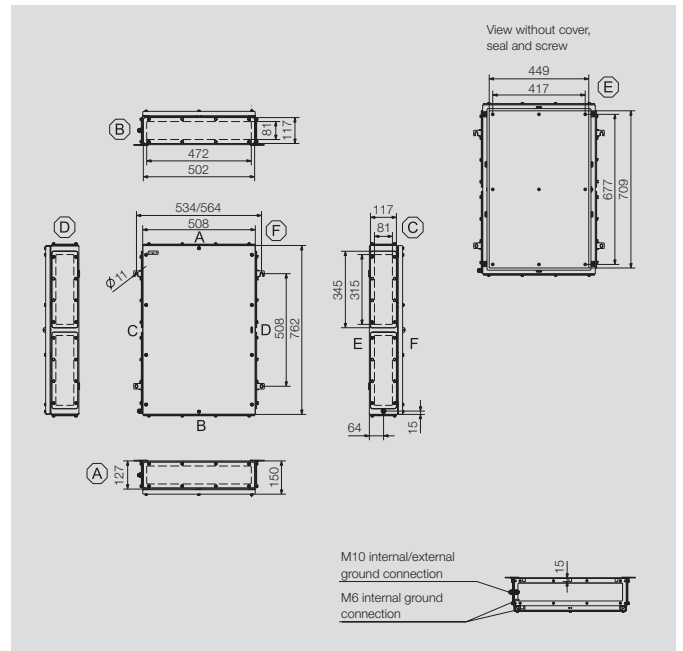
Mounting plate	Order No.
Steel sheet, zintec	1194030000
Stainless steel, 1.4301	1193900000

Stainless steel-Spacer M6 x 8, set of 4	Order No.
10 mm length	0935110000
15 mm length	0935120000
20 mm length	0935130000
30 mm length	0935140000

Sheet steel nickel plated Spacer M6 x 8, set of 2	Order No.
15 mm length	3896100000
20 mm length	3896200000
30 mm length	3896300000

Padlock with two keys	Order No.
Stainless steel, 1.4301	0905680000

Note System accessories can be found after the Klippon® TB QL product pages.



Max. number of terminals (industry)

Max. number of terminals (industry)	vertical	horizontal
2,5 mm ²	4x132	7x82
4 mm ²	4x111	6x69
6 mm ²	3x83	5x52
10 mm ²	3x67	5x42
16 mm ²	2x56	4x35
35 mm ²	2x42	3x26

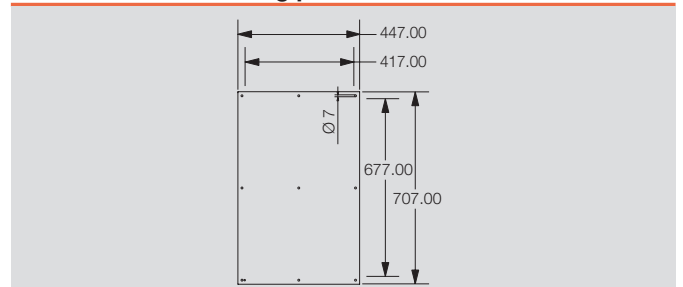
Note *For enclosure versions with zero, one or two gland plates, the horizontal gap between the mounting feet is reduced by 30 mm. Assembly with terminal blocks provides for 10 mm clearance to the ends of the mounting rail. Recommended order: TS35 mounting rail (screw terminal) WDU 2.5 1020000000 / (tension clamp terminal) ZDU 2.5 1608510000 / (tension clamp terminal) PDU 2.5 1896110000 TS32 mounting rail (screw terminal) SAK 2.5 0279660000 TS15 mounting rail (screw terminal) AKZ 2.5 0697160000

Number of cable entries

Number of cable entries	A / B	C / D
M12	42	58
M16	24	32
M20	21	26
M25	9	12
M32	7	10
M40	6	8
M50	5	6
M63	0	0
M75	0	0

Note Our IP68 brass cable glands serve as a reference for these recommended values.

Dimensions of mounting plate



Klippon® TB MH 765020

Depth 200 mm



Height/Width/Depth 762 / 508 / 200 mm

Ordering data

Stainless steel 1.4404 316L, electropolished	Order No.
1 gland plate - positioned bottom side (B)	1195460000
2 gland plates - positioned top and bottom sides (A & B)	1195470000
3 gland plates - positioned bottom, left and right sides (B, C & D)	1195480000
4 gland plates - positioned top, bottom, left and right sides (A, B, C & D)	1195490000

Note Painted sheet steel enclosure available on request. Standard colour is similar to RAL 7035.

Accessories

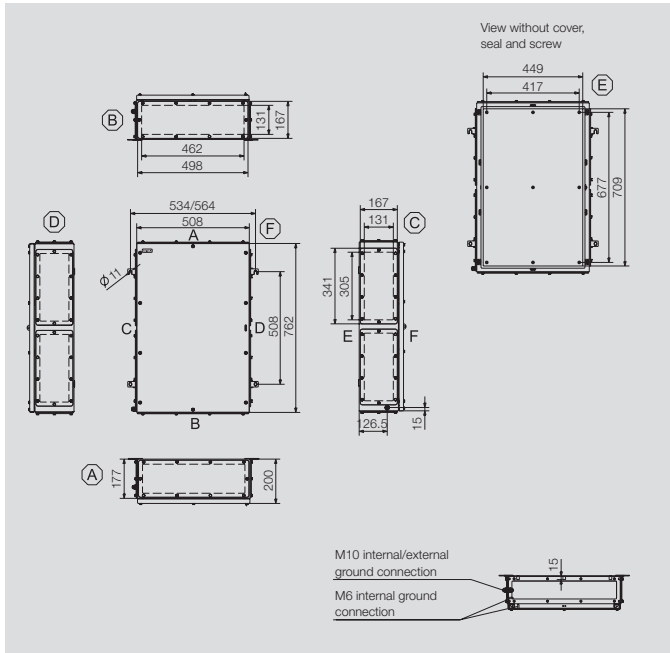
Mounting plate	Order No.
Steel sheet, zintec	1194030000
Stainless steel, 1.4301	1193900000

Stainless steel-Spacer M6 x 8, set of 4	Order No.
10 mm length	0935110000
15 mm length	0935120000
20 mm length	0935130000
30 mm length	0935140000

Sheet steel nickel plated Spacer M6 x 8, set of 2	Order No.
15 mm length	3896100000
20 mm length	3896200000
30 mm length	3896300000

Padlock with two keys	Order No.
Stainless steel, 1.4301	0905680000

Note System accessories can be found after the Klippon® TB QL product pages.



Max. number of terminals (industry)

Max. number of terminals (industry)	vertical	horizontal
2,5 mm ²	4x132	7x82
4 mm ²	4x111	6x69
6 mm ²	3x83	5x52
10 mm ²	3x67	5x42
16 mm ²	2x56	4x35
35 mm ²	2x42	3x26

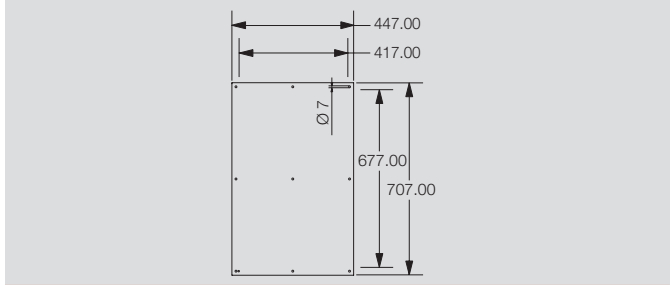
Note *For enclosure versions with zero, one or two gland plates, the horizontal gap between the mounting feet is reduced by 30 mm. Assembly with terminal blocks provides for 10 mm clearance to the ends of the mounting rail. Recommended order: TS35 mounting rail (screw terminal) WDU 2.5 1020000000 / (tension clamp terminal) ZDU 2.5 1608510000 / (tension clamp terminal) PDU 2.5 1896110000 TS32 mounting rail (screw terminal) SAK 2.5 0279660000 TS15 mounting rail (screw terminal) AKZ 2.5 0697160000

Number of cable entries

Number of cable entries	A / B	C / D
M12	70	96
M16	48	64
M20	32	40
M25	26	34
M32	14	18
M40	12	14
M50	5	6
M63	4	6
M75	3	4

Note Our IP68 brass cable glands are used as the reference for these guideline values.

Dimensions of mounting plate





Height/Width/Depth 914 / 610 / 150 mm

Ordering data

Stainless steel 1.4404 316L, electropolished	Order No.
1 gland plate - positioned bottom side (B)	1195510000
2 gland plates - positioned top and bottom sides (A & B)	1195520000
3 gland plates - positioned bottom, left and right sides (B, C & D)	1195530000
4 gland plates - positioned top, bottom, left and right sides (A, B, C & D)	1195540000

Note Painted sheet steel enclosure available on request. Standard colour is similar to RAL 7035.

Accessories

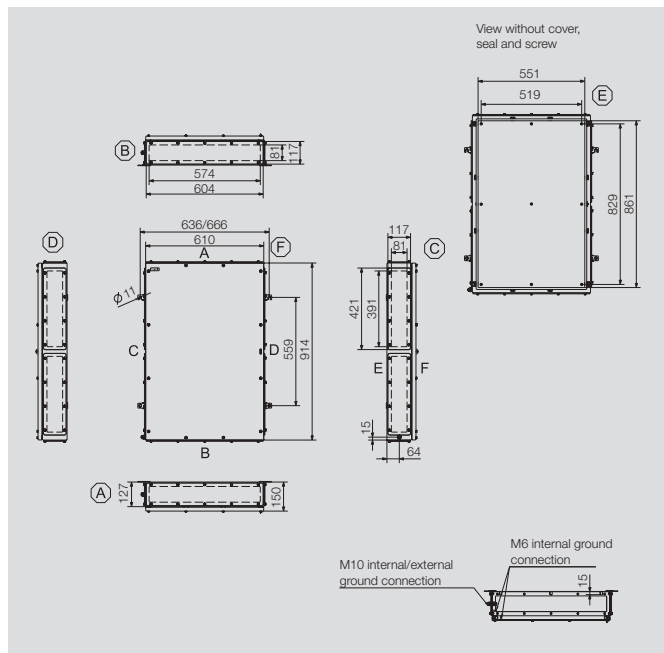
Mounting plate	Order No.
Steel sheet, zintec	1194040000
Stainless steel, 1.4301	1193910000

Stainless steel-Spacer M6 x 8, set of 4	Order No.
10 mm length	0935110000
15 mm length	0935120000
20 mm length	0935130000
30 mm length	0935140000

Sheet steel nickel plated Spacer M6 x 8, set of 2	Order No.
15 mm length	3896100000
20 mm length	3896200000
30 mm length	3896300000

Padlock with two keys	Order No.
Stainless steel, 1.4301	0905680000

Note System accessories can be found after the Klippon® TB QL product pages.



Max. number of terminals (industry)

Max. number of terminals (industry)	vertical	horizontal
2,5 mm ²	5x161	8x102
4 mm ²	4x135	7x85
6 mm ²	4x102	7x64
10 mm ²	3x82	6x52
16 mm ²	3x68	5x43
35 mm ²	2x51	4x32

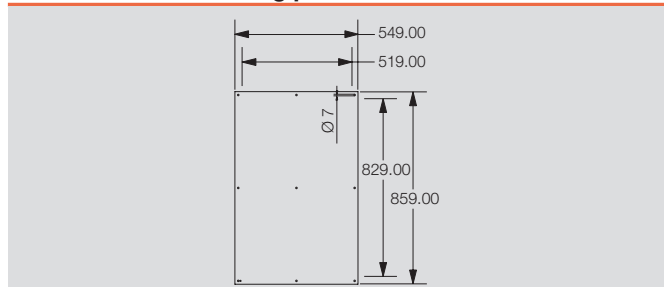
Note *For enclosure versions with zero, one or two gland plates, the horizontal gap between the mounting feet is reduced by 30 mm. Assembly with terminal blocks provides for 10 mm clearance to the ends of the mounting rail. Recommended order: TS35 mounting rail (screw terminal) WDU 2.5 102000000 / (tension clamp terminal) ZDU 2.5 1608510000 / (tension clamp terminal) PDU 2.5 1896110000 TS32 mounting rail (screw terminal) SAK 2.5 0279660000 TS15 mounting rail (screw terminal) AKZ 2.5 0697160000

Number of cable entries

Number of cable entries	A / B	C / D
M12	53	70
M16	29	40
M20	25	34
M25	11	14
M32	9	12
M40	8	10
M50	6	8
M63	0	0
M75	0	0

Note Our IP68 brass cable glands serve as a reference for these recommended values.

Dimensions of mounting plate



Klippon® TB MH 916120

Depth 200 mm



Height/Width/Depth 914 / 610 / 200 mm

Ordering data

Stainless steel 1.4404 316L, electropolished	Order No.
1 gland plate - positioned bottom side (B)	1195560000
2 gland plates - positioned top and bottom sides (A & B)	1195570000
3 gland plates - positioned bottom, left and right sides (B, C & D)	1195580000
4 gland plates - positioned top, bottom, left and right sides (A, B, C & D)	1195590000

Note Painted sheet steel enclosure available on request. Standard colour is similar to RAL 7035.

Accessories

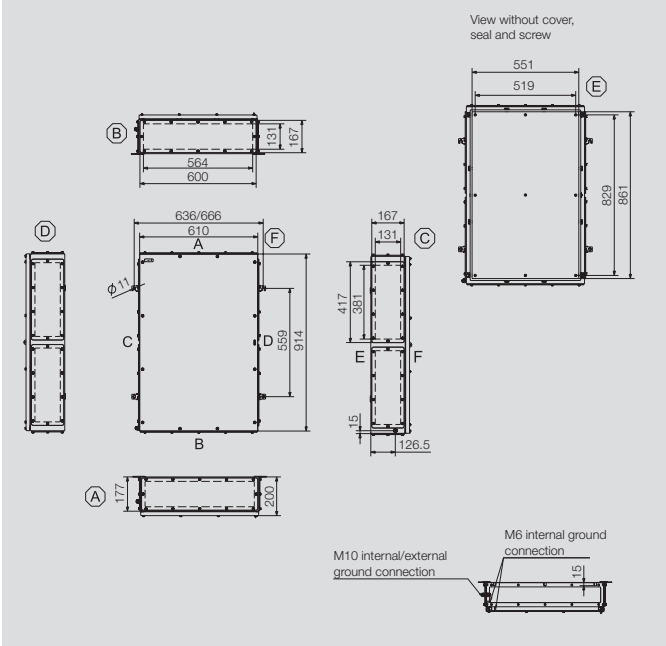
Mounting plate	Order No.
Steel sheet, zintec	1194040000
Stainless steel, 1.4301	1193910000

Stainless steel-Spacer M6 x 8, set of 4	Order No.
10 mm length	0935110000
15 mm length	0935120000
20 mm length	0935130000
30 mm length	0935140000

Sheet steel nickel plated Spacer M6 x 8, set of 2	Order No.
15 mm length	3896100000
20 mm length	3896200000
30 mm length	3896300000

Padlock with two keys	Order No.
Stainless steel, 1.4301	0905680000

Note System accessories can be found after the Klippon® TB QL product pages.



Max. number of terminals (industry)

Max. number of terminals (industry)	vertical	horizontal
2,5 mm ²	5x161	8x102
4 mm ²	4x135	7x85
6 mm ²	4x102	7x64
10 mm ²	3x82	6x52
16 mm ²	3x68	5x43
35 mm ²	2x51	4x32

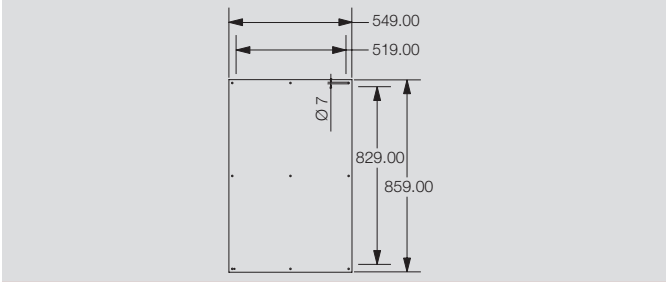
Note *For enclosure versions with zero, one or two gland plates, the horizontal gap between the mounting feet is reduced by 30 mm. Assembly with terminal blocks provides for 10 mm clearance to the ends of the mounting rail. Recommended order: TS35 mounting rail (screw terminal) WDU 2.5 1020000000 / (tension clamp terminal) ZDU 2.5 1608510000 / (tension clamp terminal) PDU 2.5 1896110000 TS32 mounting rail (screw terminal) SAK 2.5 0279660000 TS15 mounting rail (screw terminal) AKZ 2.5 0697160000

Number of cable entries

Number of cable entries	A / B	C / D
M12	88	116
M16	58	80
M20	38	52
M25	33	42
M32	18	24
M40	15	20
M50	6	8
M63	5	6
M75	4	6

Note Our IP68 brass cable glands are used as the reference for these guideline values.

Dimensions of mounting plate





Height/Width/Depth 980 / 740 / 200 mm

Ordering data

Stainless steel 1.4404 316L, electropolished	Order No.
1 gland plate - positioned bottom side (B)	1195610000
2 gland plates - positioned top and bottom sides (A & B)	1195620000
3 gland plates - positioned bottom, left and right sides (B, C & D)	1195630000
4 gland plates - positioned top, bottom, left and right sides (A, B, C & D)	1195640000

Note Painted sheet steel enclosure available on request. Standard colour is similar to RAL 7035.

Accessories

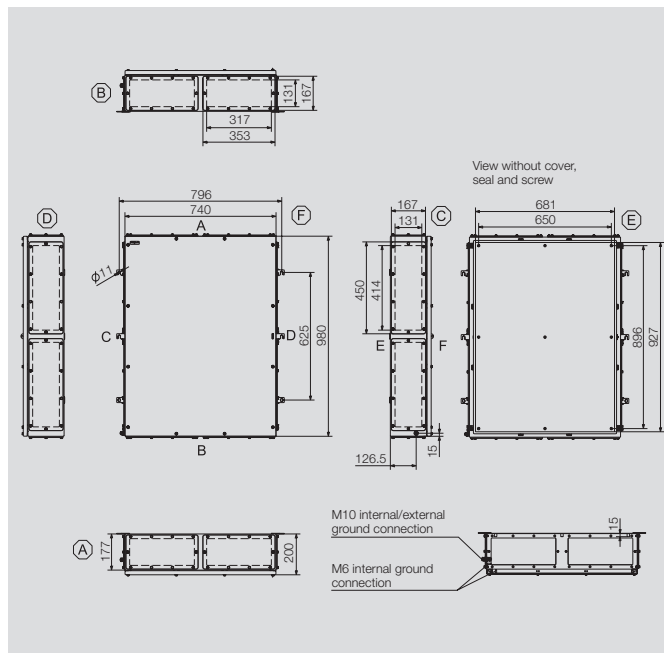
Mounting plate	Order No.
Steel sheet, zintec	1194050000
Stainless steel, 1.4301	1193920000

Stainless steel-Spacer M6 x 8, set of 4	Order No.
10 mm length	0935110000
15 mm length	0935120000
20 mm length	0935130000
30 mm length	0935140000

Sheet steel nickel plated Spacer M6 x 8, set of 2	Order No.
15 mm length	3896100000
20 mm length	3896200000
30 mm length	3896300000

Padlock with two keys	Order No.
Stainless steel, 1.4301	0905680000

Note System accessories can be found after the Klippon® TB QL product pages.



Max. number of terminals (industry)

Max. number of terminals (industry)	vertical	horizontal
2,5 mm ²	6x174	9x127
4 mm ²	6x146	8x106
6 mm ²	5x110	7x80
10 mm ²	4x88	6x64
16 mm ²	4x74	5x54
35 mm ²	3x55	4x40

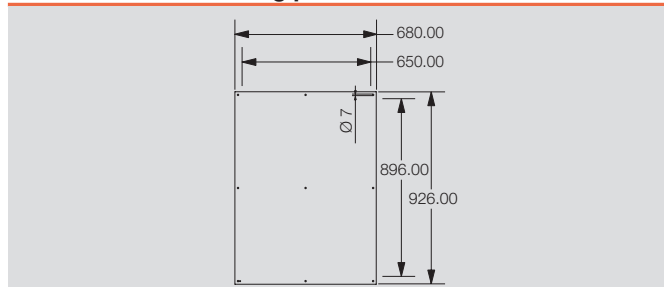
Note *For enclosure versions with zero, one or two gland plates, the horizontal gap between the mounting feet is reduced by 30 mm. Assembly with terminal blocks provides for 10 mm clearance to the ends of the mounting rail. Recommended order: TS35 mounting rail (screw terminal) WDU 2.5 1020000000 / (tension clamp terminal) ZDU 2.5 1608510000 / (tension clamp terminal) PDU 2.5 1896110000 TS32 mounting rail (screw terminal) SAK 2.5 0279660000 TS15 mounting rail (screw terminal) AKZ 2.5 0697160000

Number of cable entries

Number of cable entries	A / B	C / D
M12	96	126
M16	64	84
M20	42	54
M25	36	48
M32	20	26
M40	16	22
M50	6	10
M63	6	8
M75	4	6

Note Our IP68 brass cable glands serve as a reference for these recommended values.

Dimensions of mounting plate



Klippon® TB QL – Quarter Lock

Steel enclosures for use within harsh environments

The Klippon® TB range of enclosures delivers an outstanding performance in the severest conditions and meets the needs of the increasingly stringent requirements of hazardous area applications that can be found in particular in the process and energy industries. The new Klippon® TB QL range offers further enhancements to an already successful and market leading product range.

Information about the System accessories – Page 69.

The Klippon® TB QL range of enclosures offers the following advantages:

- Available in stainless steel or sheet steel painted
- In 12 sizes and 3 standard depths
- With up to 4 gland plates; optionally without gland plates
- Gland plate fixing.
- Quarter lock with slot insert as standard for lid fixing
- Gasket compression is controlled
- Silicone gasket for extreme temperature requirements
- IP66
- Earth stud fitted to body and lid
- Mounting lugs pre fitted and ensure secure product mounting

Our assembly service can supply these enclosures preassembled with terminals and cable glands according to customer requirements.



Overview of enclosures

Description	Length x Width x Depth in mm	1 Gland Plates (Bottom)	2 Gland Plates (Top+Bottom)	3 Gland Plates (Bottom+Sides)	4 Gland Plates (All Sides)
KTB QL 221513 S4E_*	229 x 152 x 133	1199860000	1199870000	1199880000	1199890000
KTB QL 262615 S4E_*	260 x 260 x 150	1199910000	1199920000	1199930000	1199940000
KTB QL 262620 S4E_*	260 x 260 x 200	1199960000	1199970000	1199980000	1199990000
KTB QL 303015 S4E_*	306 x 306 x 150	1200020000	1200030000	1200040000	1200050000
KTB QL 303020 S4E_*	306 x 306 x 200	1200070000	1200080000	1200090000	1200100000
KTB QL 352615 S4E_*	350 x 260 x 150	1200120000	1200130000	1200140000	1200150000
KTB QL 352620 S4E_*	350 x 260 x 200	1200170000	1200180000	1200190000	1200210000
KTB QL 403015 S4E_*	400 x 300 x 150	1200230000	1200240000	1200250000	1200260000
KTB QL 403020 S4E_*	400 x 300 x 200	1200280000	1200290000	1200310000	1200320000
KTB QL 453815 S4E_*	458 x 382 x 150	1200340000	1200350000	1200360000	1200370000
KTB QL 453820 S4E_*	458 x 382 x 200	1200390000	1200410000	1200420000	1200430000
KTB QL 484815 S4E_*	480 x 480 x 150	1200450000	1200460000	1200470000	1200480000
KTB QL 484820 S4E_*	480 x 480 x 200	1200510000	1200520000	1200530000	1200540000
KTB QL 553515 S4E_*	550 x 350 x 150	1200560000	1200570000	1200580000	1200590000
KTB QL 553520 S4E_*	550 x 350 x 200	1200620000	1200630000	1200640000	1200650000
KTB QL 624515 S4E_*	620 x 450 x 150	1200670000	1200680000	1200690000	1200710000
KTB QL 624520 S4E_*	620 x 450 x 200	1200730000	1200740000	1200750000	1200760000
KTB QL 765015 S4E_*	762 x 508 x 150	1200780000	1200790000	1200810000	1200820000
KTB QL 765020 S4E_*	762 x 508 x 200	1200840000	1200850000	1200860000	1200870000
KTB QL 916115 S4E_*	914 x 610 x 150	1200890000	1200910000	1200920000	1200930000
KTB QL 916120 S4E_*	914 x 610 x 200	1200950000	1200960000	1200970000	1200980000
KTB QL 987420 S4E_*	980 x 740 x 200	1201010000	1201020000	1201030000	1201040000
Note	* Placeholder for the amount of gland plates (1, 2, 3, 4). Klippon® TB QL enclosures without gland plates are available on request.				

Technical Data

Material **	Stainless steel 1.4404 (316L) 1,5 mm
Surface	electropolished
IP Rating	IP66
NEMA Rating	3, 4x, 12
Gland plates	1-4 (fixed with M6 hexagon head screws with 10 mm slot width), optionally without gland plate
Thickness of gland plate	3 mm (optionally up to 20 mm available upon request)
Earthing inside	Enclosure body and lid: welded-on M6 stainless-steel earthing stud
Earthing outside	Continuous M10 brass earthing stud (optionally with stainless-steel earthing stud)
Equipment mounting	4 or 6 mounting pillars with M6 threaded hole for fixing the mounting plate or terminal rail
Enclosure mounting	4 welded-on mounting feet with 11-mm holes (2 slotted and 2 cross-shaped opening)
Lid opening	fully removable, lid opening: 130°
Lid fixing	quarter lock with slot insert (other lock inserts available upon request)
Impact resistance	7 J ATEX applications, 10 J Industrial applications
Gasket material	Silicone
Operating temperature range	-60 °C to +135 °C
Torque screws of lid and gland plates*	2,5 Nm
Note	* Please use our hexagon screwdriver with 10 mm slot width (9009070000) ** Sheet steel painted enclosures available on request.

Approvals empty enclosures






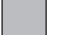


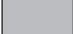



ATEX certificate	KEMA 10ATEX0047 U
ATEX marking	II 2 G Ex e IIC Gb II 2 D Ex tb IIIC Db IP66
IECEX certificate	IECEX KEM 10.0016U
IECEX marking	Ex e IIC Gb Ex tb IIIC Db IP66
GOST Ex	POCC DE.ME92.B02036
GOST R	Approvals are pending
cULus	E243298
Germanischer Lloyd	11534 - 10 HH
Russian Maritime Register	10.04095.250
Note	The enclosure range Klippon® TB QL can be assembled with terminals or other approved equipment by our Customer Service

Approvals terminal enclosures

ATEX certificate	KEMA 10ATEX0051
ATEX marking	II 2 G Ex eb IIC T6...T4 II 1 G Ex ia IIC T6...T4 II 2(1) G Ex eb ia IIC T6...T4 II 2 D Ex tb IIIC T85 °C...T135 °C IP66
IECEX certificate	IECEX KEM 10.0020
IECEX marking	Ex eb IIC T... Ex ia IIC T... Ex eb ia IIC T... Ex tb IIIC T85 °C...T135 °C IP66
Note	Labelling depends on the application layout.

Overview of dimensions

Klippon® TB QL – Quarter Lock

	Dimensions [mm] Height x width x depth	Weight [g]			
		1 gland plate	2 gland plate	3 gland plate	4 gland plate
	229 x 152 x 133	3060	3360	3740	4060
	260 x 260 x 150	4840	5510	5780	6680
	260 x 260 x 200	5620	6400	6840	8200
	306 x 306 x 150	5960	6580	7060	7660
	306 x 306 x 200	6800	7720	8320	9180
	350 x 260 x 150	5780	6700	7600	9700
	350 x 260 x 200	6700	7700	8380	10100
	400 x 300 x 150	7200	8300	8380	11100
	400 x 300 x 200	7900	9200	10400	11300
	458 x 382 x 150	9000	9900	10700	12700
	458 x 382 x 200	10240	10830	12500	14110
	480 x 480 x 150	11900	13800	15200	17600
	480 x 480 x 200	12420	15900	17700	16080
	550 x 350 x 150	8500	9500	10800	12100
	550 x 350 x 200	11060	11500	13800	14720
	620 x 450 x 150	12800	14100	15600	17100
	620 x 450 x 200	14240	15830	17360	20350
	762 x 508 x 150	17100	18600	19700	20800
	762 x 508 x 200	18120	19800	21200	22700
	914 x 610 x 150	20700	22200	24100	26000
	914 x 610 x 200	23840	24600	26400	28200
	980 x 740 x 200	34800	36300	36100	39900

Note: Additional enclosure sizes available on request. The weights given are net weights. Enclosures without flange plates are available on request.



Height/Width/Depth 229 / 152 / 133 mm

Ordering data

Stainless steel 1.4404 316L, electropolished	Order No.
1 gland plate - bottom	1199860000
2 gland plates - positioned top and bottom sides (A & B)	1199870000
3 gland plates - positioned bottom, left and right sides (B, C & D)	1199880000
4 gland plates - positioned top, bottom, left and right sides (A, B, C & D)	1199890000

Note Painted sheet steel enclosure available on request. Standard colour is similar to RAL 7035.

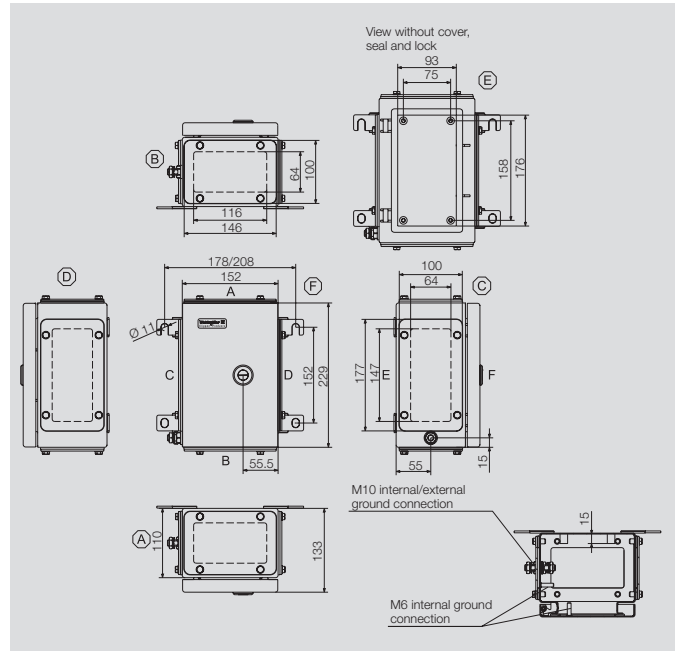
Accessories

Mounting plate	Order No.
Steel sheet, zintec	1199330000
Stainless steel, 1.4301	1193810000

Stainless steel-Spacer M6 x 8, set of 4	Order No.
10 mm length	0935110000
15 mm length	0935120000
20 mm length	0935130000
30 mm length	0935140000

Sheet steel nickel plated Spacer M6 x 8, set of 2	Order No.
15 mm length	3896100000
20 mm length	3896200000
30 mm length	3896300000

Note System accessories can be found after the Klippon® TB QL product pages.



Max. number of terminals (industry)

Max. number of terminals (industry)	vertical	horizontal
2,5 mm ²	1x29	1x15
4 mm ²		1x13
6 mm ²		1x9
10 mm ²		1x7
16 mm ²		1x6
35 mm ²		

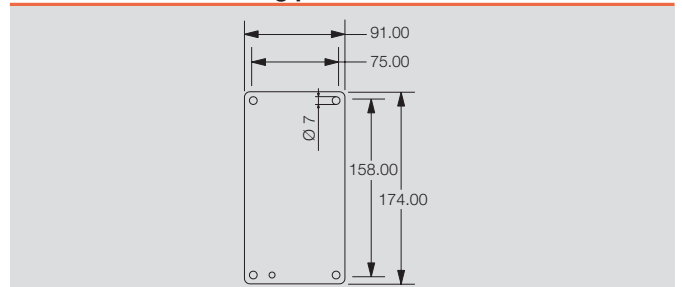
Note *For enclosure versions with zero, one or two gland plates, the horizontal gap between the mounting feet is reduced by 30 mm. Assembly with terminal blocks provides for 10 mm clearance to the ends of the mounting rail. Recommended order: TS35 mounting rail (screw terminal) WDU 2.5 1020000000 / (tension clamp terminal) ZDU 2.5 1608510000 / (tension clamp terminal) PDU 2.5 1896110000 TS32 mounting rail (screw terminal) SAK 2.5 0279660000 TS15 mounting rail (screw terminal) AKZ 2.5 0697160000

Number of cable entries

Number of cable entries	A / B	C / D
M12	6	8
M16	5	6
M20	2	3
M25	2	2
M32	1	2
M40	1	2
M50	0	0
M63	0	0
M75	0	0

Note Our IP68 brass cable glands serve as a reference for these recommended values.

Dimensions of mounting plate





Height/Width/Depth 260 / 260 / 150 mm

Ordering data

Stainless steel 1.4404 316L, electropolished	Order No.
1 gland plate - bottom	1199910000
2 gland plates - positioned top and bottom sides (A & B)	1199920000
3 gland plates - positioned bottom, left and right sides (B, C & D)	1199930000
4 gland plates - positioned top, bottom, left and right sides (A, B, C & D)	1199940000

Note Painted sheet steel enclosure available on request. Standard colour is similar to RAL 7035.

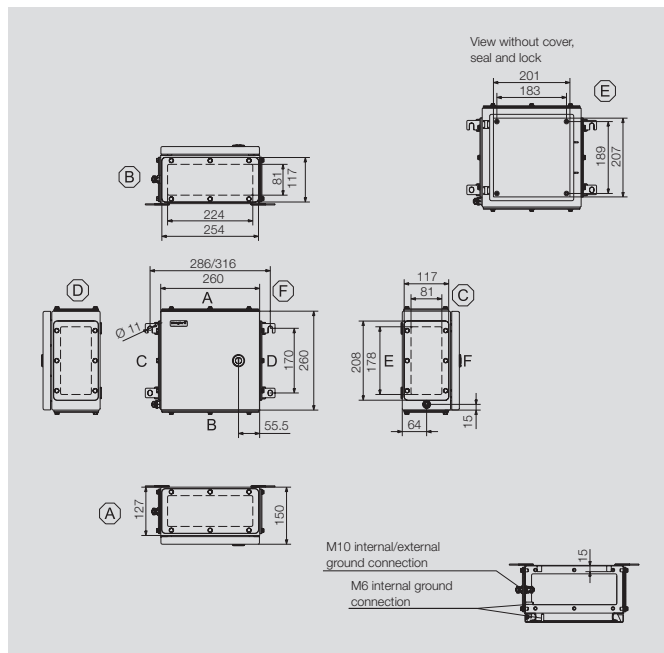
Accessories

Mounting plate	Order No.
Steel sheet, zintec	1193950000
Stainless steel, 1.4301	1193820000

Stainless steel-Spacer M6 x 8, set of 4	Order No.
10 mm length	0935110000
15 mm length	0935120000
20 mm length	0935130000
30 mm length	0935140000

Sheet steel nickel plated Spacer M6 x 8, set of 2	Order No.
15 mm length	3896100000
20 mm length	3896200000
30 mm length	3896300000

Note System accessories can be found after the Klippon® TB QL product pages.



Max. number of terminals (industry)

Max. number of terminals (industry)	vertical	horizontal
2,5 mm ²	2x35	2x34
4 mm ²	1x30	1x29
6 mm ²	1x22	1x22
10 mm ²	1x18	1x17
16 mm ²	1x15	1x14
35 mm ²		

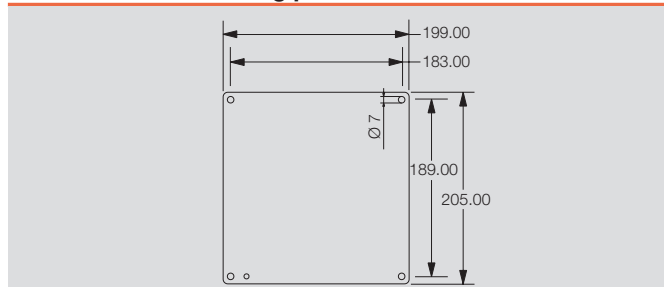
Note *For enclosure versions with zero, one or two gland plates, the horizontal gap between the mounting feet is reduced by 30 mm. Assembly with terminal blocks provides for 10 mm clearance to the ends of the mounting rail. Recommended order: TS35 mounting rail (screw terminal) WDU 2.5 1020000000 / (tension clamp terminal) ZDU 2.5 1608510000 / (tension clamp terminal) PDU 2.5 1896110000 TS32 mounting rail (screw terminal) SAK 2.5 0279660000 TS15 mounting rail (screw terminal) AKZ 2.5 0697160000

Number of cable entries

Number of cable entries	A / B	C / D
M12	20	15
M16	11	8
M20	9	7
M25	4	3
M32	3	2
M40	3	2
M50	2	2
M63	0	0
M75	0	0

Note Our IP68 brass cable glands are used as the reference for these guideline values.

Dimensions of mounting plate



Klippon® TB QL 262620

Depth 200 mm



Height/Width/Depth 260 / 260 / 200 mm

Ordering data

Stainless steel 1.4404 316L, electropolished	Order No.
1 gland plate - bottom	1199960000
2 gland plates - positioned top and bottom sides (A & B)	1199970000
3 gland plates - positioned bottom, left and right sides (B, C & D)	1199980000
4 gland plates - positioned top, bottom, left and right sides (A, B, C & D)	1199990000

Note Painted sheet steel enclosure available on request. Standard colour is similar to RAL 7035.

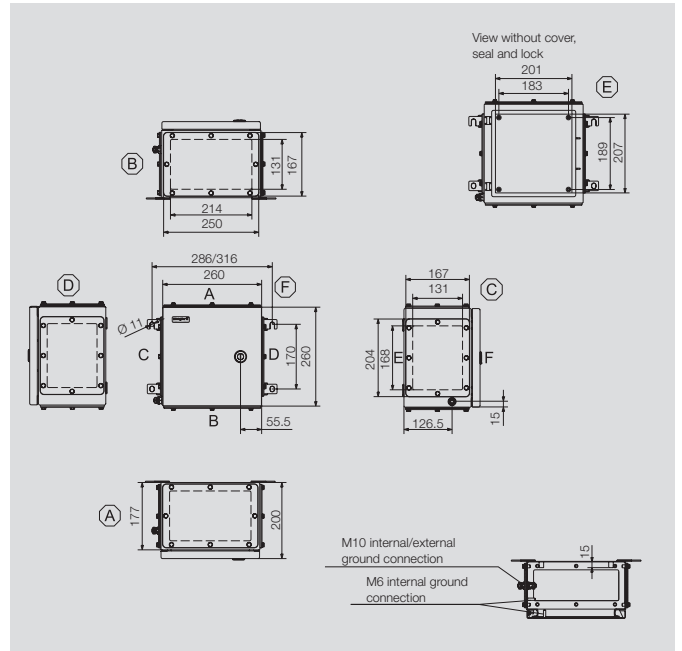
Accessories

Mounting plate	Order No.
Steel sheet, zintec	1193950000
Stainless steel, 1.4301	1193820000

Stainless steel-Spacer M6 x 8, set of 4	Order No.
10 mm length	0935110000
15 mm length	0935120000
20 mm length	0935130000
30 mm length	0935140000

Sheet steel nickel plated Spacer M6 x 8, set of 2	Order No.
15 mm length	3896100000
20 mm length	3896200000
30 mm length	3896300000

Note System accessories can be found after the Klippon® TB QL product pages.



Max. number of terminals (industry)

Max. number of terminals (industry)	vertical	horizontal
2,5 mm²	2x35	2x34
4 mm²	1x30	1x29
6 mm²	1x22	1x22
10 mm²	1x18	1x17
16 mm²	1x15	1x14
35 mm²		

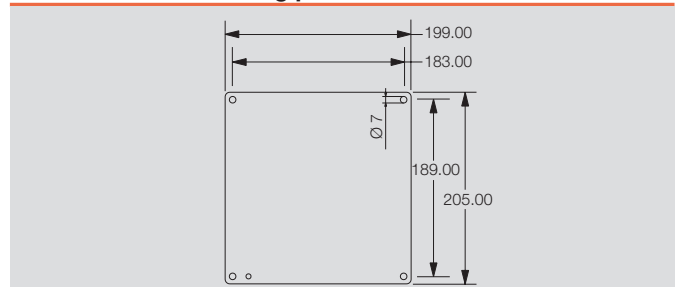
Note *For enclosure versions with zero, one or two gland plates, the horizontal gap between the mounting feet is reduced by 30 mm. Assembly with terminal blocks provides for 10 mm clearance to the ends of the mounting rail. Recommended order: TS35 mounting rail (screw terminal) WDU 2.5 1020000000 / (tension clamp terminal) ZDU 2.5 1608510000 / (tension clamp terminal) PDU 2.5 1896110000 TS32 mounting rail (screw terminal) SAK 2.5 0279660000 TS15 mounting rail (screw terminal) AKZ 2.5 0697160000

Number of cable entries

Number of cable entries	A / B	C / D
M12	33	25
M16	22	16
M20	14	11
M25	12	9
M32	6	4
M40	5	4
M50	2	2
M63	2	1
M75	1	1

Note Our IP68 brass cable glands serve as a reference for these recommended values.

Dimensions of mounting plate





Height/Width/Depth 306 / 306 / 150 mm

Ordering data

Stainless steel 1.4404 316L, electropolished	Order No.
1 gland plate - bottom	1200020000
2 gland plates - positioned top and bottom sides (A & B)	1200030000
3 gland plates - positioned bottom, left and right sides (B, C & D)	1200040000
4 gland plates - positioned top, bottom, left and right sides (A, B, C & D)	1200050000

Note Painted sheet steel enclosure available on request. Standard colour is similar to RAL 7035.

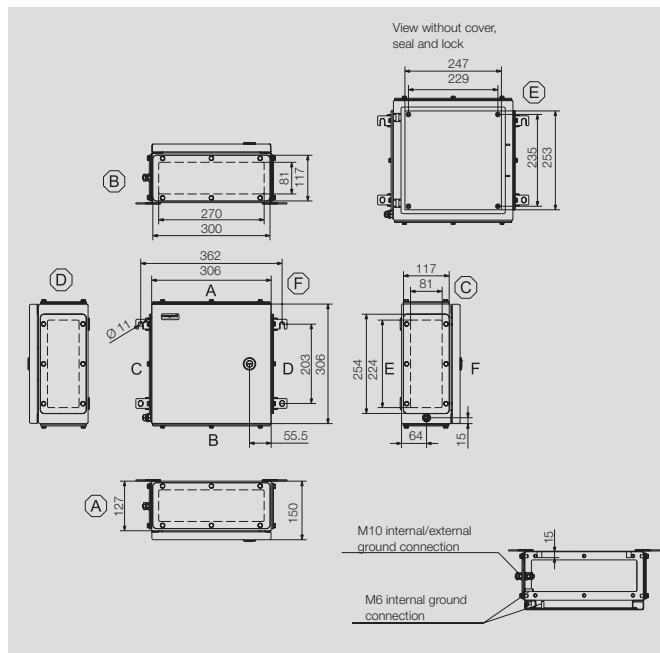
Accessories

Mounting plate	Order No.
Steel sheet, zintec	1193960000
Stainless steel, 1.4301	1193830000

Stainless steel-Spacer M6 x 8, set of 4	Order No.
10 mm length	0935110000
15 mm length	0935120000
20 mm length	0935130000
30 mm length	0935140000

Sheet steel nickel plated Spacer M6 x 8, set of 2	Order No.
15 mm length	3896100000
20 mm length	3896200000
30 mm length	3896300000

Note System accessories can be found after the Klippon® TB QL product pages.



Max. number of terminals (industry)

Max. number of terminals (industry)	vertical	horizontal
2,5 mm ²	2x44	2x43
4 mm ²	2x37	2x36
6 mm ²	2x28	2x27
10 mm ²	1x22	1x22
16 mm ²	1x19	1x18
35 mm ²	1x14	1x13

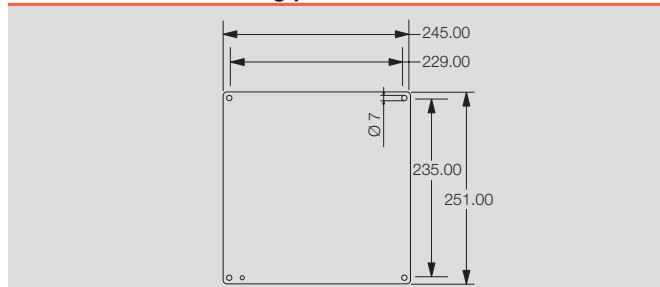
Note *For enclosure versions with zero, one or two gland plates, the horizontal gap between the mounting feet is reduced by 30 mm. Assembly with terminal blocks provides for 10 mm clearance to the ends of the mounting rail. Recommended order: TS35 mounting rail (screw terminal) WDU 2.5 1020000000 / (tension clamp terminal) ZDU 2.5 1608510000 / (tension clamp terminal) PDU 2.5 1896110000 TS32 mounting rail (screw terminal) SAK 2.5 0279660000 TS15 mounting rail (screw terminal) AKZ 2.5 0697160000

Number of cable entries

Number of cable entries	A / B	C / D
M12	24	20
M16	13	11
M20	11	9
M25	5	4
M32	4	3
M40	3	3
M50	3	2
M63	0	0
M75	0	0

Note Our IP68 brass cable glands are used as the reference for these guideline values.

Dimensions of mounting plate





Height/Width/Depth 350 / 260 / 150 mm

Ordering data

Stainless steel 1.4404 316L, electropolished	Order No.
1 gland plate - bottom	1200120000
2 gland plates - positioned top and bottom sides (A & B)	1200130000
3 gland plates - positioned bottom, left and right sides (B, C & D)	1200140000
4 gland plates - positioned top, bottom, left and right sides (A, B, C & D)	1200150000

Note Painted sheet steel enclosure available on request. Standard colour is similar to RAL 7035.

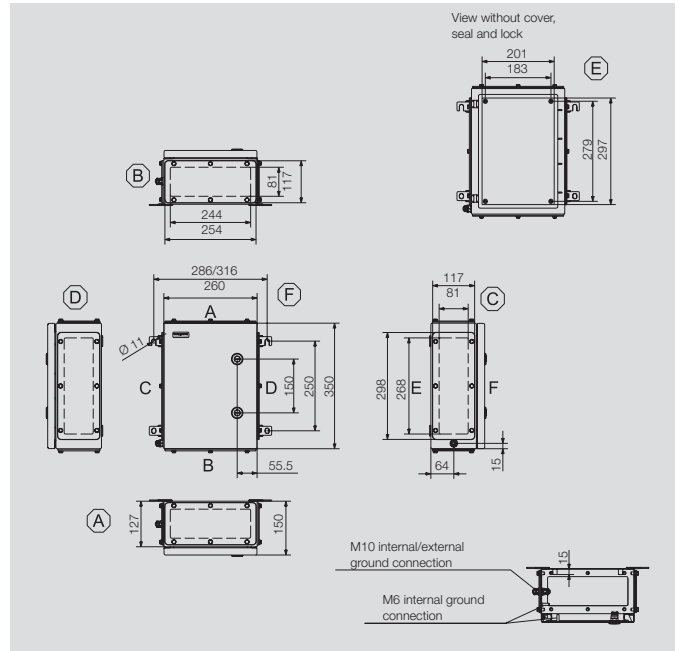
Accessories

Mounting plate	Order No.
Steel sheet, zintec	1193970000
Stainless steel, 1.4301	1193840000

Stainless steel-Spacer M6 x 8, set of 4	Order No.
10 mm length	0935110000
15 mm length	0935120000
20 mm length	0935130000
30 mm length	0935140000

Sheet steel nickel plated Spacer M6 x 8, set of 2	Order No.
15 mm length	3896100000
20 mm length	3896200000
30 mm length	3896300000

Note System accessories can be found after the Klippon® TB QL product pages.



Max. number of terminals (industry)

Max. number of terminals (industry)	vertical	horizontal
2,5 mm²	2x53	2x34
4 mm²	1x44	2x29
6 mm²	1x33	2x22
10 mm²	1x27	2x17
16 mm²	1x22	1x14
35 mm²		1x11

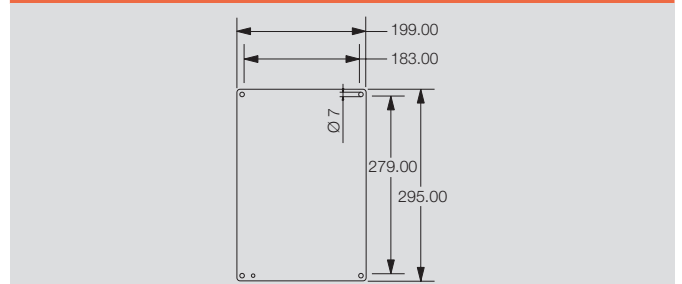
Note *For enclosure versions with zero, one or two gland plates, the horizontal gap between the mounting feet is reduced by 30 mm. Assembly with terminal blocks provides for 10 mm clearance to the ends of the mounting rail. Recommended order: TS35 mounting rail (screw terminal) WDU 2.5 1020000000 / (tension clamp terminal) ZDU 2.5 1608510000 / (tension clamp terminal) PDU 2.5 1896110000 TS32 mounting rail (screw terminal) SAK 2.5 0279660000 TS15 mounting rail (screw terminal) AKZ 2.5 0697160000

Number of cable entries

Number of cable entries	A / B	C / D
M12	20	23
M16	11	13
M20	9	11
M25	4	5
M32	3	4
M40	3	3
M50	2	3
M63	0	0
M75	0	0

Note Our IP68 brass cable glands serve as a reference for these recommended values.

Dimensions of mounting plate



Klippon® TB QL 352620

Depth 200 mm



Height/Width/Depth 350 / 260 / 200 mm

Ordering data

Stainless steel 1.4404 316L, electropolished	Order No.
1 gland plate - bottom	1200170000
2 gland plates - positioned top and bottom sides (A & B)	1200180000
3 gland plates - positioned bottom, left and right sides (B, C & D)	1200190000
4 gland plates - positioned top, bottom, left and right sides (A, B, C & D)	1200210000

Note Painted sheet steel enclosure available on request. Standard colour is similar to RAL 7035.

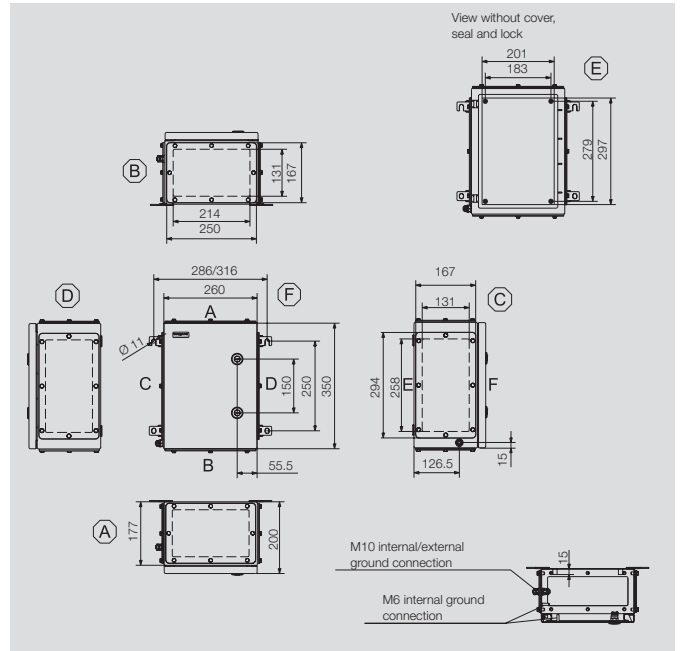
Accessories

Mounting plate	Order No.
Steel sheet, zintec	1193970000
Stainless steel, 1.4301	1193840000

Stainless steel-Spacer M6 x 8, set of 4	Order No.
10 mm length	0935110000
15 mm length	0935120000
20 mm length	0935130000
30 mm length	0935140000

Sheet steel nickel plated Spacer M6 x 8, set of 2	Order No.
15 mm length	3896100000
20 mm length	3896200000
30 mm length	3896300000

Note System accessories can be found after the Klippon® TB QL product pages.



Max. number of terminals (industry)

Max. number of terminals (industry)	vertical	horizontal
2,5 mm²	2x53	2x34
4 mm²	1x44	2x29
6 mm²	1x33	2x22
10 mm²	1x27	2x17
16 mm²	1x22	1x14
35 mm²		1x11

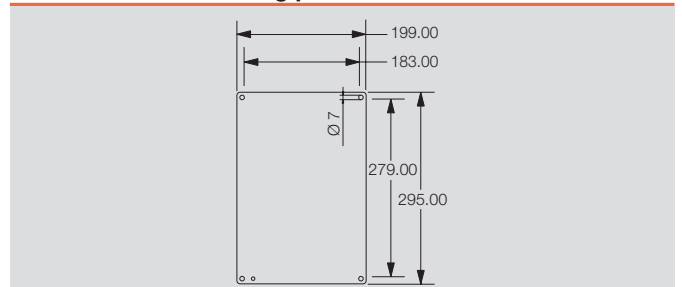
Note *For enclosure versions with zero, one or two gland plates, the horizontal gap between the mounting feet is reduced by 30 mm. Assembly with terminal blocks provides for 10 mm clearance to the ends of the mounting rail. Recommended order: TS35 mounting rail (screw terminal) WDU 2.5 102000000 / (tension clamp terminal) ZDU 2.5 1608510000 / (tension clamp terminal) PDU 2.5 1896110000 TS32 mounting rail (screw terminal) SAK 2.5 0279660000 TS15 mounting rail (screw terminal) AKZ 2.5 0697160000

Number of cable entries

Number of cable entries	A / B	C / D
M12	33	38
M16	22	26
M20	14	17
M25	12	14
M32	6	7
M40	5	6
M50	2	3
M63	2	2
M75	1	2

Note Our IP68 brass cable glands are used as the reference for these guideline values.

Dimensions of mounting plate





Height/Width/Depth 400 / 300 / 150 mm

Ordering data

Stainless steel 1.4404 316L, electropolished	Order No.
1 gland plate - bottom	1200230000
2 gland plates - positioned top and bottom sides (A & B)	1200240000
3 gland plates - positioned bottom, left and right sides (B, C & D)	1200250000
4 gland plates - positioned top, bottom, left and right sides (A, B, C & D)	1200260000

Note Painted sheet steel enclosure available on request. Standard colour is similar to RAL 7035.

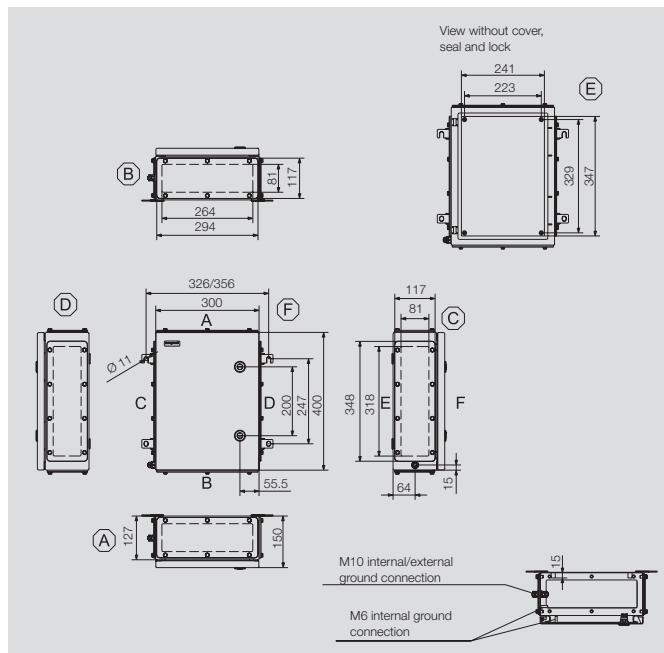
Accessories

Mounting plate	Order No.
Steel sheet, zintec	1193980000
Stainless steel, 1.4301	1193850000

Stainless steel-Spacer M6 x 8, set of 4	Order No.
10 mm length	0935110000
15 mm length	0935120000
20 mm length	0935130000
30 mm length	0935140000

Sheet steel nickel plated Spacer M6 x 8, set of 2	Order No.
15 mm length	3896100000
20 mm length	3896200000
30 mm length	3896300000

Note System accessories can be found after the Klippon® TB QL product pages.



Max. number of terminals (industry)

Max. number of terminals (industry)	vertical	horizontal
2,5 mm ²	2x62	3x42
4 mm ²	2x52	3x35
6 mm ²	1x39	2x26
10 mm ²	1x32	2x21
16 mm ²	1x26	2x18
35 mm ²	1x20	1x13

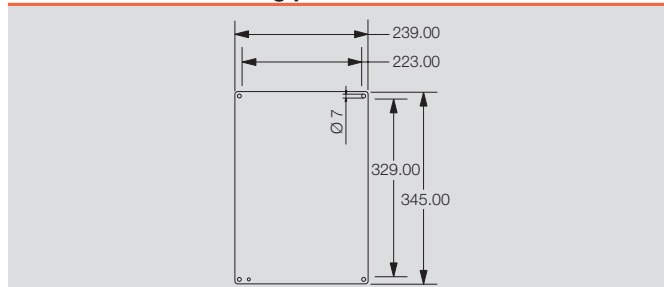
Note *For enclosure versions with zero, one or two gland plates, the horizontal gap between the mounting feet is reduced by 30 mm. Assembly with terminal blocks provides for 10 mm clearance to the ends of the mounting rail. Recommended order: TS35 mounting rail (screw terminal) WDU 2.5 1020000000 / (tension clamp terminal) ZDU 2.5 1608510000 / (tension clamp terminal) PDU 2.5 1896110000 TS32 mounting rail (screw terminal) SAK 2.5 0279660000 TS15 mounting rail (screw terminal) AKZ 2.5 0697160000

Number of cable entries

Number of cable entries	A / B	C / D
M12	23	29
M16	13	16
M20	11	13
M25	5	6
M32	4	5
M40	3	4
M50	3	3
M63	0	0
M75	0	0

Note Our IP68 brass cable glands serve as a reference for these recommended values.

Dimensions of mounting plate



Klippon® TB QL 403020

Depth 200 mm



Height/Width/Depth 400 / 300 / 200 mm

Ordering data

Stainless steel 1.4404 316L, electropolished	Order No.
1 gland plate - bottom	1200280000
2 gland plates - positioned top and bottom sides (A & B)	1200290000
3 gland plates - positioned bottom, left and right sides (B, C & D)	1200310000
4 gland plates - positioned top, bottom, left and right sides (A, B, C & D)	1200320000

Note Painted sheet steel enclosure available on request. Standard colour is similar to RAL 7035.

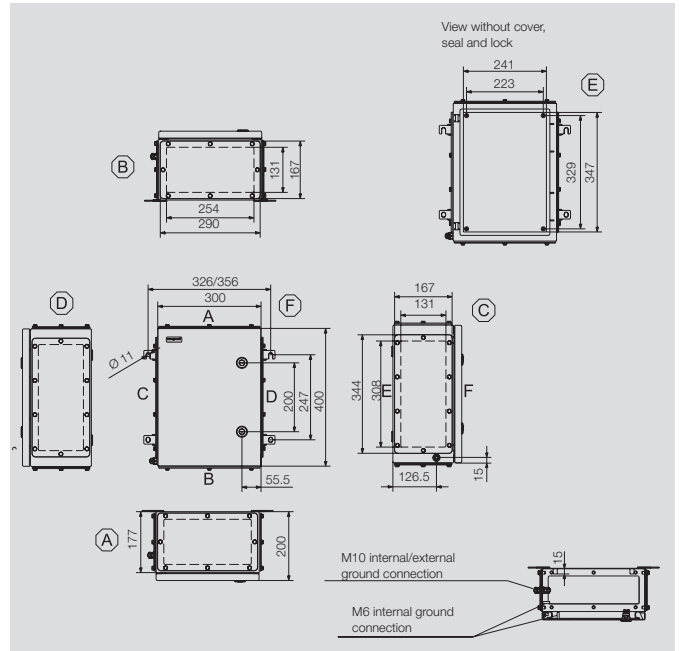
Accessories

Mounting plate	Order No.
Steel sheet, zintec	1193980000
Stainless steel, 1.4301	1193850000

Stainless steel-Spacer M6 x 8, set of 4	Order No.
10 mm length	0935110000
15 mm length	0935120000
20 mm length	0935130000
30 mm length	0935140000

Sheet steel nickel plated Spacer M6 x 8, set of 2	Order No.
15 mm length	3896100000
20 mm length	3896200000
30 mm length	3896300000

Note System accessories can be found after the Klippon® TB QL product pages.



Max. number of terminals (industry)

Max. number of terminals (industry)	vertical	horizontal
2,5 mm ²	2x62	3x42
4 mm ²	2x52	3x35
6 mm ²	1x39	2x26
10 mm ²	1x32	2x21
16 mm ²	1x26	2x18
35 mm ²	1x20	1x13

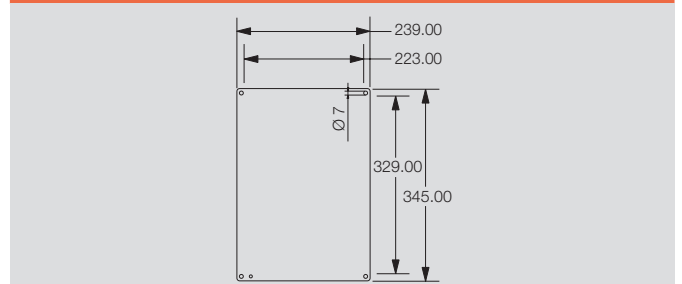
Note *For enclosure versions with zero, one or two gland plates, the horizontal gap between the mounting feet is reduced by 30 mm. Assembly with terminal blocks provides for 10 mm clearance to the ends of the mounting rail. Recommended order: TS35 mounting rail (screw terminal) WDU 2.5 1020000000 / (tension clamp terminal) ZDU 2.5 1608510000 / (tension clamp terminal) PDU 2.5 1896110000 TS32 mounting rail (screw terminal) SAK 2.5 0279660000 TS15 mounting rail (screw terminal) AKZ 2.5 0697160000

Number of cable entries

Number of cable entries	A / B	C / D
M12	38	48
M16	26	32
M20	17	20
M25	14	17
M32	7	9
M40	6	7
M50	3	3
M63	2	3
M75	2	2

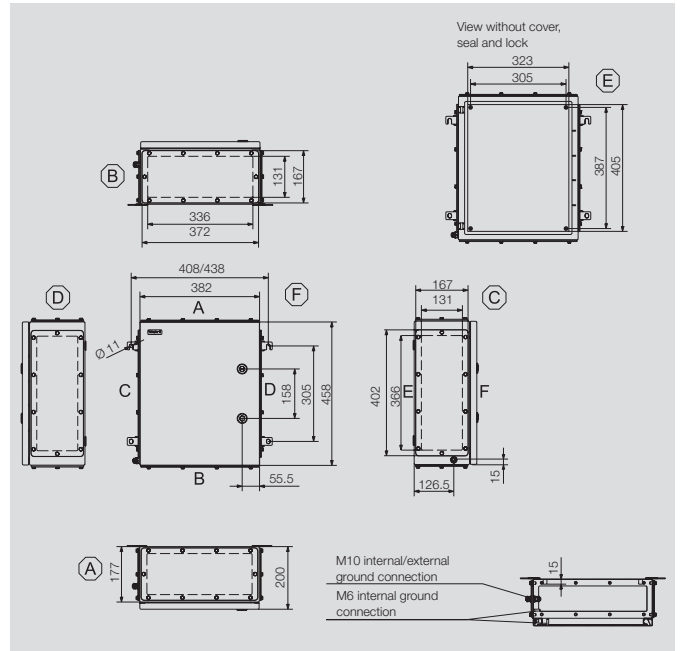
Note Our IP68 brass cable glands are used as the reference for these guideline values.

Dimensions of mounting plate



Klippon® TB QL 453820

Depth 200 mm



Ordering data

Stainless steel 1.4404 316L, electropolished	Order No.
1 gland plate - bottom	1200390000
2 gland plates - positioned top and bottom sides (A & B)	1200410000
3 gland plates - positioned bottom, left and right sides (B, C & D)	1200420000
4 gland plates - positioned top, bottom, left and right sides (A, B, C & D)	1200430000

Note Painted sheet steel enclosure available on request. Standard colour is similar to RAL 7035.

Accessories

Mounting plate	Order No.
Steel sheet, zintec	1193990000
Stainless steel, 1.4301	1193860000

Stainless steel-Spacer M6 x 8, set of 4	Order No.
10 mm length	0935110000
15 mm length	0935120000
20 mm length	0935130000
30 mm length	0935140000

Sheet steel nickel plated Spacer M6 x 8, set of 2	Order No.
15 mm length	3896100000
20 mm length	3896200000
30 mm length	3896300000

Max. number of terminals (industry)

Max. number of terminals (industry)	vertical	horizontal
2,5 mm ²	3x73	4x58
4 mm ²	2x62	3x48
6 mm ²	2x46	3x36
10 mm ²	2x37	2x29
16 mm ²	2x31	2x24
35 mm ²	1x23	1x18

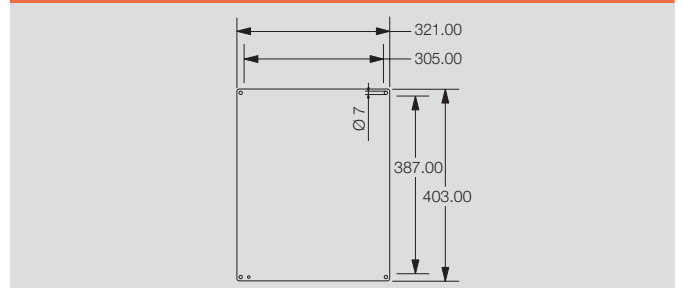
Note *For enclosure versions with zero, one or two gland plates, the horizontal gap between the mounting feet is reduced by 30 mm. Assembly with terminal blocks provides for 10 mm clearance to the ends of the mounting rail. Recommended order: TS35 mounting rail (screw terminal) WDU 2.5 1020000000 / (tension clamp terminal) ZDU 2.5 1608510000 / (tension clamp terminal) PDU 2.5 1896110000 TS32 mounting rail (screw terminal) SAK 2.5 0279660000 TS15 mounting rail (screw terminal) AKZ 2.5 0697160000

Number of cable entries

Number of cable entries	A / B	C / D
M12	50	55
M16	34	38
M20	23	24
M25	18	21
M32	10	11
M40	8	9
M50	4	4
M63	3	3
M75	2	3

Note Our IP68 brass cable glands are used as the reference for these guideline values.

Dimensions of mounting plate



Note System accessories can be found after the Klippon® TB QL product pages.

Klippon® TB QL 484820

Depth 200 mm



Height/Width/Depth 480 / 480 / 200 mm

Ordering data

Stainless steel 1.4404 316L, electropolished	Order No.
1 gland plate - bottom	1200510000
2 gland plates - positioned top and bottom sides (A & B)	1200520000
3 gland plates - positioned bottom, left and right sides (B, C & D)	1200530000
4 gland plates - positioned top, bottom, left and right sides (A, B, C & D)	1200540000

Note Painted sheet steel enclosure available on request. Standard colour is similar to RAL 7035.

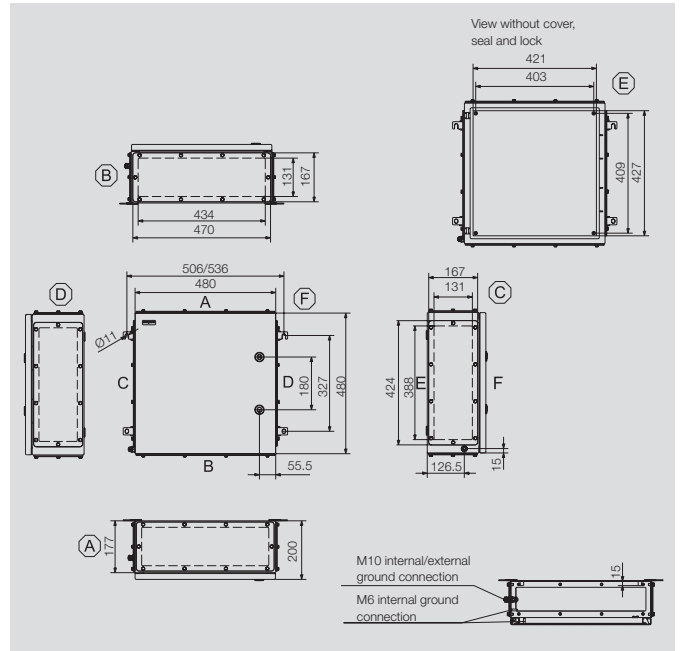
Accessories

Mounting plate	Order No.
Steel sheet, zintec	1194000000
Stainless steel, 1.4301	1193870000

Stainless steel-Spacer M6 x 8, set of 4	Order No.
10 mm length	0935110000
15 mm length	0935120000
20 mm length	0935130000
30 mm length	0935140000

Sheet steel nickel plated Spacer M6 x 8, set of 2	Order No.
15 mm length	3896100000
20 mm length	3896200000
30 mm length	3896300000

Note System accessories can be found after the Klippon® TB QL product pages.



Max. number of terminals (industry)

Max. number of terminals (industry)	vertical	horizontal
2,5 mm ²	4x78	4x77
4 mm ²	3x65	3x64
6 mm ²	3x49	3x48
10 mm ²	2x39	3x39
16 mm ²	2x33	2x32
35 mm ²	1x25	2x24

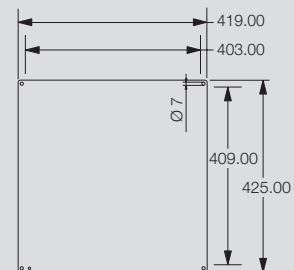
Note *For enclosure versions with zero, one or two gland plates, the horizontal gap between the mounting feet is reduced by 30 mm. Assembly with terminal blocks provides for 10 mm clearance to the ends of the mounting rail. Recommended order: TS35 mounting rail (screw terminal) WDU 2.5 1020000000 / (tension clamp terminal) ZDU 2.5 1608510000 / (tension clamp terminal) PDU 2.5 1896110000 TS32 mounting rail (screw terminal) SAK 2.5 0279660000 TS15 mounting rail (screw terminal) AKZ 2.5 0697160000

Number of cable entries

Number of cable entries	A / B	C / D
M12	65	60
M16	44	40
M20	29	26
M25	24	21
M32	13	12
M40	11	10
M50	5	4
M63	4	4
M75	3	3

Note Our IP68 brass cable glands serve as a reference for these recommended values.

Dimensions of mounting plate





Height/Width/Depth 550 / 350 / 150 mm

Ordering data

Stainless steel 1.4404 316L, electropolished	Order No.
1 gland plate - bottom	1200560000
2 gland plates - positioned top and bottom sides (A & B)	1200570000
3 gland plates - positioned bottom, left and right sides (B, C & D)	1200580000
4 gland plates - positioned top, bottom, left and right sides (A, B, C & D)	1200590000

Note Painted sheet steel enclosure available on request. Standard colour is similar to RAL 7035.

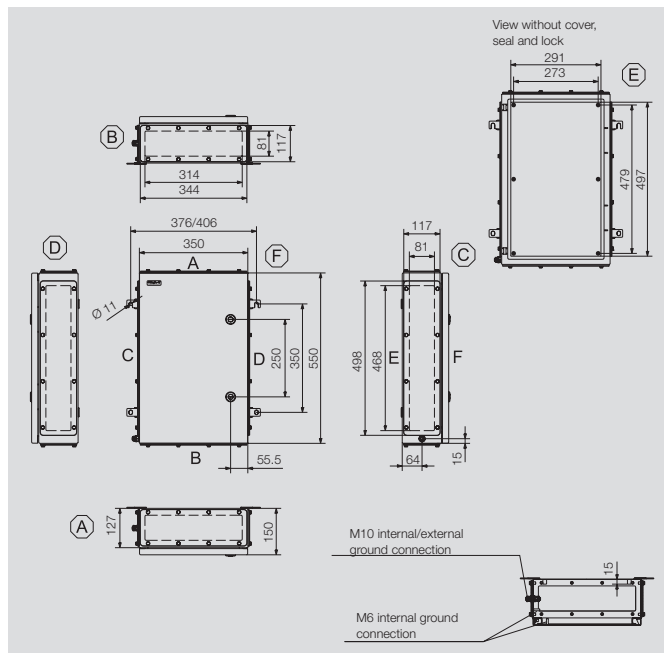
Accessories

Mounting plate	Order No.
Steel sheet, zintec	1194010000
Stainless steel, 1.4301	1193880000

Stainless steel-Spacer M6 x 8, set of 4	Order No.
10 mm length	0935110000
15 mm length	0935120000
20 mm length	0935130000
30 mm length	0935140000

Sheet steel nickel plated Spacer M6 x 8, set of 2	Order No.
15 mm length	3896100000
20 mm length	3896200000
30 mm length	3896300000

Note System accessories can be found after the Klippon® TB QL product pages.



Max. number of terminals (industry)

Max. number of terminals (industry)	vertical	horizontal
2,5 mm ²	2x91	4x52
4 mm ²	2x76	4x43
6 mm ²	2x58	4x32
10 mm ²	2x46	3x26
16 mm ²	1x39	3x22
35 mm ²	1x29	2x16

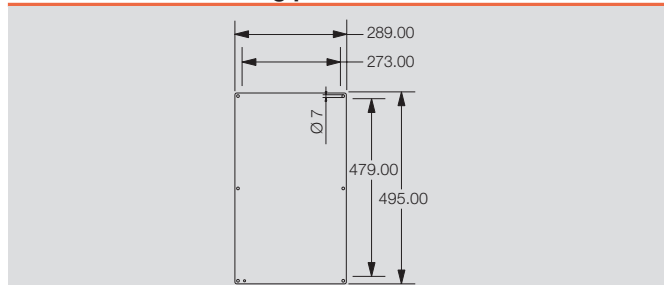
Note *For enclosure versions with zero, one or two gland plates, the horizontal gap between the mounting feet is reduced by 30 mm. Assembly with terminal blocks provides for 10 mm clearance to the ends of the mounting rail. Recommended order: TS35 mounting rail (screw terminal) WDU 2.5 102000000 / (tension clamp terminal) ZDU 2.5 1608510000 / (tension clamp terminal) PDU 2.5 1896110000 TS32 mounting rail (screw terminal) SAK 2.5 0279660000 TS15 mounting rail (screw terminal) AKZ 2.5 0697160000

Number of cable entries

Number of cable entries	A / B	C / D
M12	27	42
M16	15	24
M20	13	20
M25	6	9
M32	5	7
M40	4	6
M50	3	5
M63	0	0
M75	0	0

Note Our IP68 brass cable glands are used as the reference for these guideline values.

Dimensions of mounting plate



Klippon® TB QL 553520

Depth 200 mm



Height/Width/Depth 550 / 350 / 200 mm

Ordering data

Stainless steel 1.4404 316L, electropolished	Order No.
1 gland plate - bottom	1200620000
2 gland plates - positioned top and bottom sides (A & B)	1200630000
3 gland plates - positioned bottom, left and right sides (B, C & D)	1200640000
4 gland plates - positioned top, bottom, left and right sides (A, B, C & D)	1200650000

Note Painted sheet steel enclosure available on request. Standard colour is similar to RAL 7035.

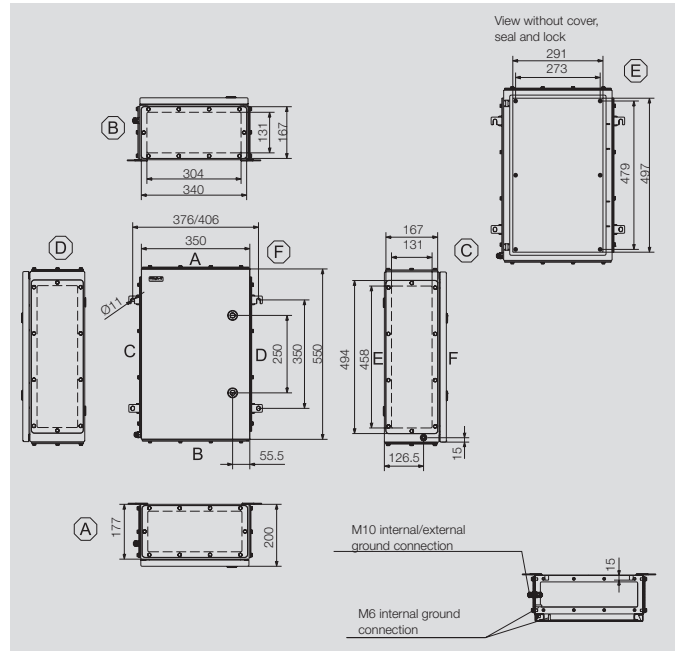
Accessories

Mounting plate	Order No.
Steel sheet, zintec	1194010000
Stainless steel, 1.4301	1193880000

Stainless steel-Spacer M6 x 8, set of 4	Order No.
10 mm length	0935110000
15 mm length	0935120000
20 mm length	0935130000
30 mm length	0935140000

Sheet steel nickel plated Spacer M6 x 8, set of 2	Order No.
15 mm length	3896100000
20 mm length	3896200000
30 mm length	3896300000

Note System accessories can be found after the Klippon® TB QL product pages.



Max. number of terminals (industry)

Max. number of terminals (industry)	vertical	horizontal
2,5 mm ²	2x91	4x52
4 mm ²	2x76	4x43
6 mm ²	2x58	4x32
10 mm ²	2x46	3x26
16 mm ²	1x39	3x22
35 mm ²	1x29	2x16

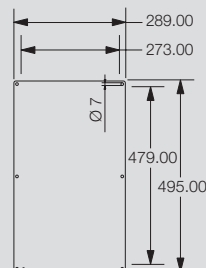
Note *For enclosure versions with zero, one or two gland plates, the horizontal gap between the mounting feet is reduced by 30 mm. Assembly with terminal blocks provides for 10 mm clearance to the ends of the mounting rail. Recommended order: TS35 mounting rail (screw terminal) WDU 2.5 1020000000 / (tension clamp terminal) ZDU 2.5 1608510000 / (tension clamp terminal) PDU 2.5 1896110000 TS32 mounting rail (screw terminal) SAK 2.5 0279660000 TS15 mounting rail (screw terminal) AKZ 2.5 0697160000

Number of cable entries

Number of cable entries	A / B	C / D
M12	45	70
M16	30	48
M20	20	30
M25	17	26
M32	9	14
M40	7	12
M50	3	5
M63	3	4
M75	2	3

Note Our IP68 brass cable glands serve as a reference for these recommended values.

Dimensions of mounting plate





Height/Width/Depth 620 / 450 / 150 mm

Ordering data

Stainless steel 1.4404 316L, electropolished	Order No.
1 gland plate - bottom	1200670000
2 gland plates - positioned top and bottom sides (A & B)	1200680000
3 gland plates - positioned bottom, left and right sides (B, C & D)	1200690000
4 gland plates - positioned top, bottom, left and right sides (A, B, C & D)	1200710000

Note Painted sheet steel enclosure available on request. Standard colour is similar to RAL 7035.

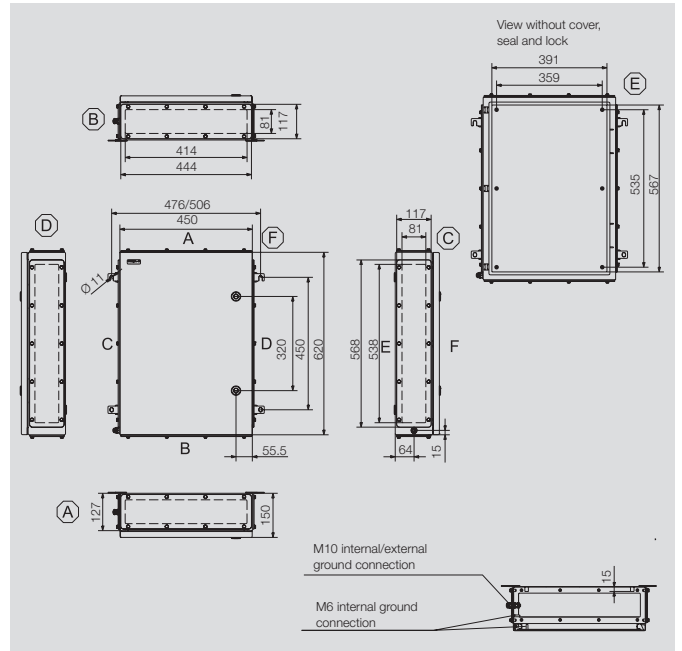
Accessories

Mounting plate	Order No.
Steel sheet, zintec	1194020000
Stainless steel, 1.4301	1193890000

Stainless steel-Spacer M6 x 8, set of 4	Order No.
10 mm length	0935110000
15 mm length	0935120000
20 mm length	0935130000
30 mm length	0935140000

Sheet steel nickel plated Spacer M6 x 8, set of 2	Order No.
15 mm length	3896100000
20 mm length	3896200000
30 mm length	3896300000

Note System accessories can be found after the Klippon® TB QL product pages.



Max. number of terminals (industry)

Max. number of terminals (industry)	vertical	horizontal
2,5 mm ²	3x105	5x71
4 mm ²	3x88	5x59
6 mm ²	3x66	4x45
10 mm ²	2x53	4x36
16 mm ²	2x44	3x30
35 mm ²	1x33	2x22

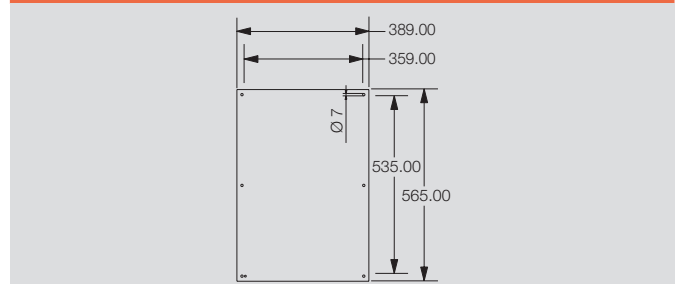
Note *For enclosure versions with zero, one or two gland plates, the horizontal gap between the mounting feet is reduced by 30 mm. Assembly with terminal blocks provides for 10 mm clearance to the ends of the mounting rail. Recommended order: TS35 mounting rail (screw terminal) WDU 2.5 1020000000 / (tension clamp terminal) ZDU 2.5 1608510000 / (tension clamp terminal) PDU 2.5 1896110000 TS32 mounting rail (screw terminal) SAK 2.5 0279660000 TS15 mounting rail (screw terminal) AKZ 2.5 0697160000

Number of cable entries

Number of cable entries	A / B	C / D
M12	38	48
M16	21	27
M20	18	24
M25	8	10
M32	6	9
M40	5	7
M50	4	6
M63	0	0
M75	0	0

Note Our IP68 brass cable glands are used as the reference for these guideline values.

Dimensions of mounting plate



Klippon® TB QL 624520

Depth 200 mm



Height/Width/Depth 620 / 450 / 200 mm

Ordering data

Stainless steel 1.4404 316L, electropolished	Order No.
1 gland plate - bottom	1200730000
2 gland plates - positioned top and bottom sides (A & B)	1200740000
3 gland plates - positioned bottom, left and right sides (B, C & D)	1200750000
4 gland plates - positioned top, bottom, left and right sides (A, B, C & D)	1200760000

Note Painted sheet steel enclosure available on request. Standard colour is similar to RAL 7035.

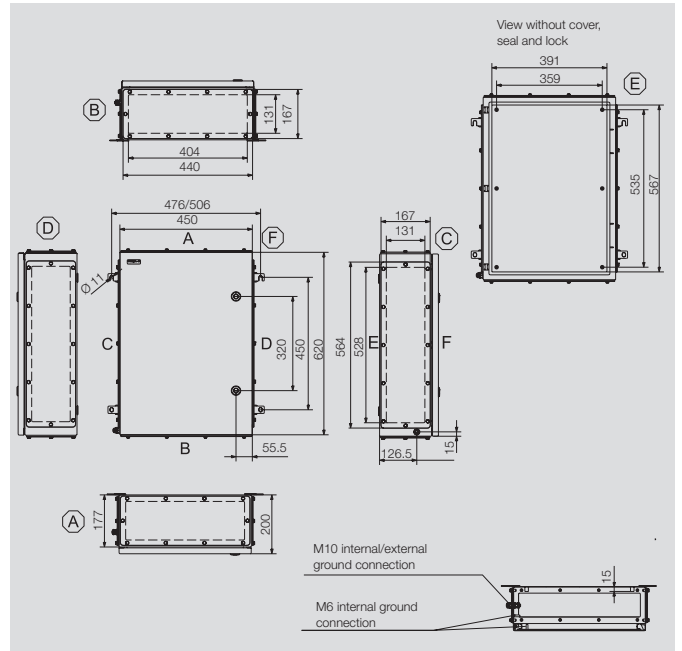
Accessories

Mounting plate	Order No.
Steel sheet, zintec	1194020000
Stainless steel, 1.4301	1193890000

Stainless steel-Spacer M6 x 8, set of 4	Order No.
10 mm length	0935110000
15 mm length	0935120000
20 mm length	0935130000
30 mm length	0935140000

Sheet steel nickel plated Spacer M6 x 8, set of 2	Order No.
15 mm length	3896100000
20 mm length	3896200000
30 mm length	3896300000

Note System accessories can be found after the Klippon® TB QL product pages.



Max. number of terminals (industry)

Max. number of terminals (industry)	vertical	horizontal
2,5 mm ²	3x105	5x71
4 mm ²	3x88	5x59
6 mm ²	3x66	4x45
10 mm ²	2x53	4x36
16 mm ²	2x44	3x30
35 mm ²	1x33	2x22

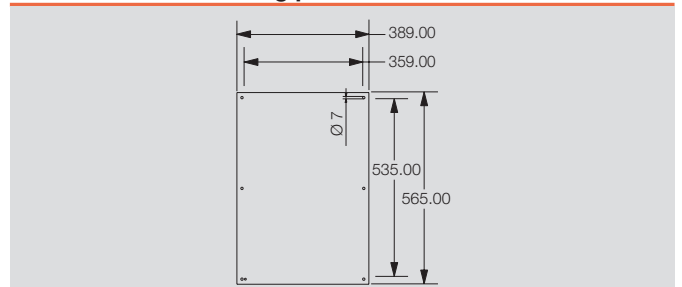
Note *For enclosure versions with zero, one or two gland plates, the horizontal gap between the mounting feet is reduced by 30 mm. Assembly with terminal blocks provides for 10 mm clearance to the ends of the mounting rail. Recommended order: TS35 mounting rail (screw terminal) WDU 2.5 1020000000 / (tension clamp terminal) ZDU 2.5 1608510000 / (tension clamp terminal) PDU 2.5 1896110000 TS32 mounting rail (screw terminal) SAK 2.5 0279660000 TS15 mounting rail (screw terminal) AKZ 2.5 0697160000

Number of cable entries

Number of cable entries	A / B	C / D
M12	63	80
M16	42	54
M20	27	36
M25	23	30
M32	12	17
M40	10	14
M50	4	6
M63	4	5
M75	3	4

Note Our IP68 brass cable glands serve as a reference for these recommended values.

Dimensions of mounting plate





Height/Width/Depth 762 / 508 / 150 mm

Ordering data

Stainless steel 1.4404 316L, electropolished	Order No.
1 gland plate - bottom	1200780000
2 gland plates - positioned top and bottom sides (A & B)	1200790000
3 gland plates - positioned bottom, left and right sides (B, C & D)	1200810000
4 gland plates - positioned top, bottom, left and right sides (A, B, C & D)	1200820000

Note Painted sheet steel enclosure available on request. Standard colour is similar to RAL 7035.

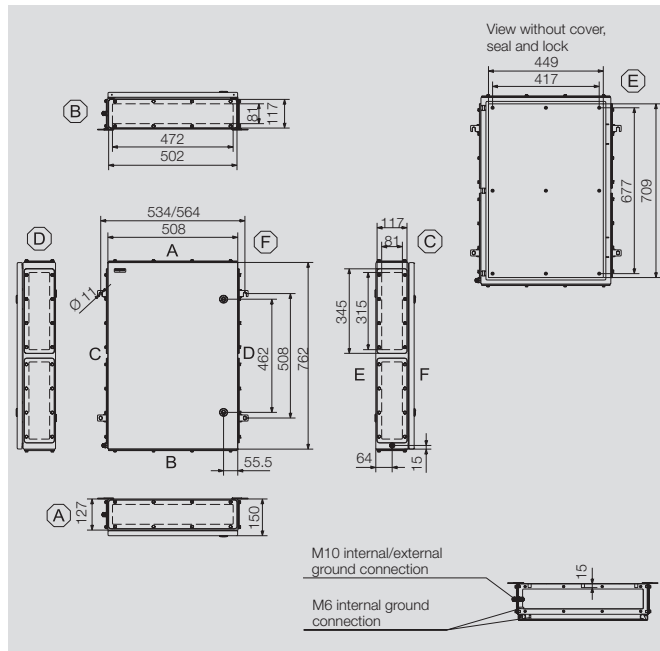
Accessories

Mounting plate	Order No.
Steel sheet, zintec	1194030000
Stainless steel, 1.4301	1193900000

Stainless steel-Spacer M6 x 8, set of 4	Order No.
10 mm length	0935110000
15 mm length	0935120000
20 mm length	0935130000
30 mm length	0935140000

Sheet steel nickel plated Spacer M6 x 8, set of 2	Order No.
15 mm length	3896100000
20 mm length	3896200000
30 mm length	3896300000

Note System accessories can be found after the Klippon® TB QL product pages.



Max. number of terminals (industry)

Max. number of terminals (industry)	vertical	horizontal
2,5 mm ²	4x132	7x82
4 mm ²	4x111	6x69
6 mm ²	3x83	5x52
10 mm ²	3x67	5x42
16 mm ²	2x56	4x35
35 mm ²	2x42	3x26

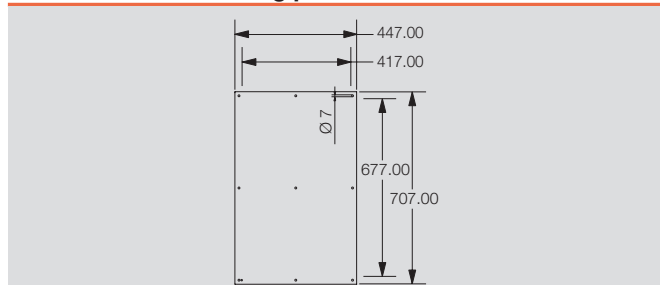
Note *For enclosure versions with zero, one or two gland plates, the horizontal gap between the mounting feet is reduced by 30 mm. Assembly with terminal blocks provides for 10 mm clearance to the ends of the mounting rail. Recommended order: TS35 mounting rail (screw terminal) WDU 2.5 1020000000 / (tension clamp terminal) ZDU 2.5 1608510000 / (tension clamp terminal) PDU 2.5 1896110000 TS32 mounting rail (screw terminal) SAK 2.5 0279660000 TS15 mounting rail (screw terminal) AKZ 2.5 0697160000

Number of cable entries

Number of cable entries	A / B	C / D
M12	42	58
M16	24	32
M20	21	26
M25	9	12
M32	7	10
M40	6	8
M50	5	6
M63	0	0
M75	0	0

Note Our IP68 brass cable glands serve as a reference for these recommended values.

Dimensions of mounting plate



Klippon® TB QL 765020

Depth 200 mm



Height/Width/Depth 762 / 508 / 200 mm

Ordering data

Stainless steel 1.4404 316L, electropolished	Order No.
1 gland plate - bottom	1200840000
2 gland plates - positioned top and bottom sides (A & B)	1200850000
3 gland plates - positioned bottom, left and right sides (B, C & D)	1200860000
4 gland plates - positioned top, bottom, left and right sides (A, B, C & D)	1200870000

Note Painted sheet steel enclosure available on request. Standard colour is similar to RAL 7035.

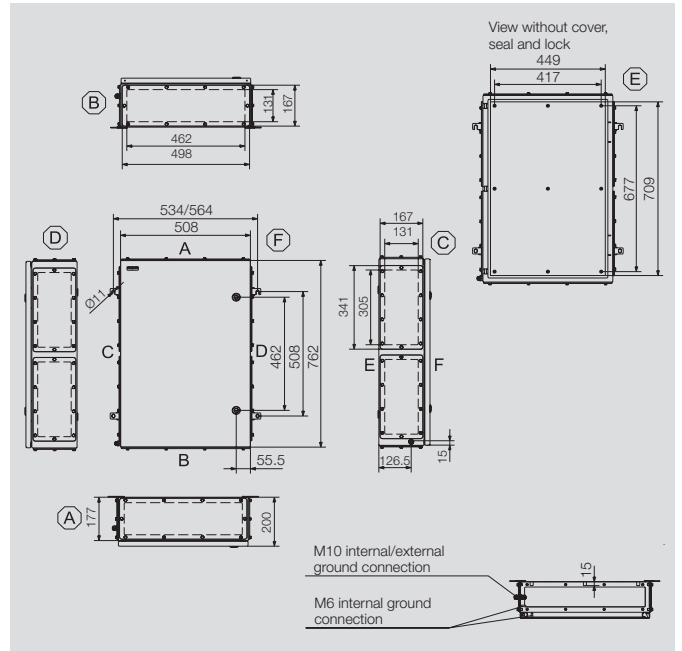
Accessories

Mounting plate	Order No.
Steel sheet, zintec	1194030000
Stainless steel, 1.4301	1193900000

Stainless steel-Spacer M6 x 8, set of 4	Order No.
10 mm length	0935110000
15 mm length	0935120000
20 mm length	0935130000
30 mm length	0935140000

Sheet steel nickel plated Spacer M6 x 8, set of 2	Order No.
15 mm length	3896100000
20 mm length	3896200000
30 mm length	3896300000

Note System accessories can be found after the Klippon® TB QL product pages.



Max. number of terminals (industry)

Max. number of terminals (industry)	vertical	horizontal
2,5 mm ²	4x132	7x82
4 mm ²	4x111	6x69
6 mm ²	3x83	5x52
10 mm ²	3x67	5x42
16 mm ²	2x56	4x35
35 mm ²	2x42	3x26

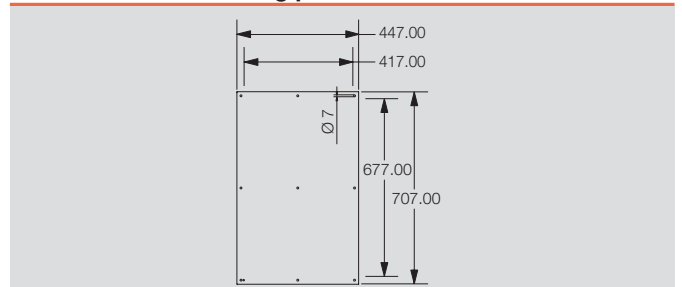
Note *For enclosure versions with zero, one or two gland plates, the horizontal gap between the mounting feet is reduced by 30 mm. Assembly with terminal blocks provides for 10 mm clearance to the ends of the mounting rail. Recommended order: TS35 mounting rail (screw terminal) WDU 2.5 1020000000 / (tension clamp terminal) ZDU 2.5 1608510000 / (tension clamp terminal) PDU 2.5 1896110000 TS32 mounting rail (screw terminal) SAK 2.5 0279660000 TS15 mounting rail (screw terminal) AKZ 2.5 0697160000

Number of cable entries

Number of cable entries	A / B	C / D
M12	70	96
M16	48	64
M20	32	40
M25	26	34
M32	14	18
M40	12	14
M50	5	6
M63	4	6
M75	3	4

Note Our IP68 brass cable glands are used as the reference for these guideline values.

Dimensions of mounting plate





Height/Width/Depth 914 / 610 / 150 mm

Ordering data

Stainless steel 1.4404 316L, electropolished	Order No.
1 gland plate - bottom	1200890000
2 gland plates - positioned top and bottom sides (A & B)	1200910000
3 gland plates - positioned bottom, left and right sides (B, C & D)	1200920000
4 gland plates - positioned top, bottom, left and right sides (A, B, C & D)	1200930000

Note Painted sheet steel enclosure available on request. Standard colour is similar to RAL 7035.

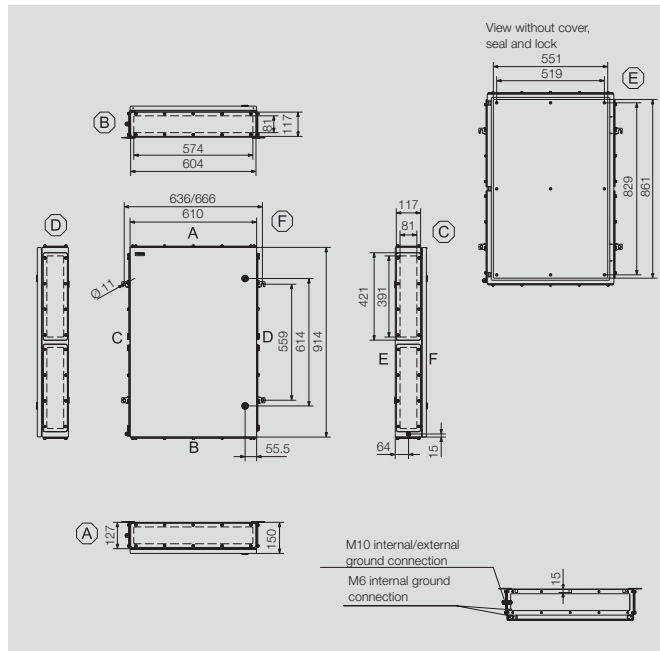
Accessories

Mounting plate	Order No.
Steel sheet, zintec	1194040000
Stainless steel, 1.4301	1193910000

Stainless steel-Spacer M6 x 8, set of 4	Order No.
10 mm length	0935110000
15 mm length	0935120000
20 mm length	0935130000
30 mm length	0935140000

Sheet steel nickel plated Spacer M6 x 8, set of 2	Order No.
15 mm length	3896100000
20 mm length	3896200000
30 mm length	3896300000

Note System accessories can be found after the Klippon® TB QL product pages.



Max. number of terminals (industry)

Max. number of terminals (industry)	vertical	horizontal
2,5 mm ²	5x161	8x102
4 mm ²	4x135	7x85
6 mm ²	4x102	7x64
10 mm ²	3x82	6x52
16 mm ²	3x68	5x43
35 mm ²	2x51	4x32

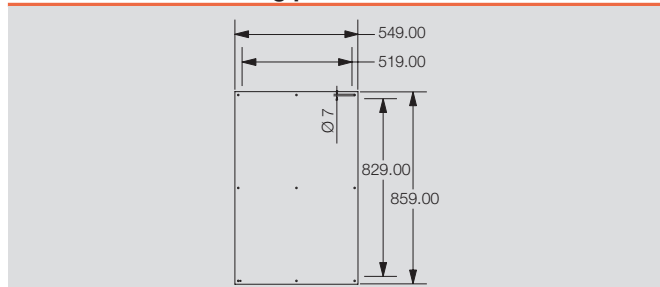
Note *For enclosure versions with zero, one or two gland plates, the horizontal gap between the mounting feet is reduced by 30 mm. Assembly with terminal blocks provides for 10 mm clearance to the ends of the mounting rail. Recommended order: TS35 mounting rail (screw terminal) WDU 2.5 1020000000 / (tension clamp terminal) ZDU 2.5 1608510000 / (tension clamp terminal) PDU 2.5 1896110000 TS32 mounting rail (screw terminal) SAK 2.5 0279660000 TS15 mounting rail (screw terminal) AKZ 2.5 0697160000

Number of cable entries

Number of cable entries	A / B	C / D
M12	53	70
M16	29	40
M20	25	34
M25	11	14
M32	9	12
M40	8	10
M50	6	8
M63	0	0
M75	0	0

Note Our IP68 brass cable glands are used as the reference for these guideline values.

Dimensions of mounting plate



Klippon® TB QL 916120

Depth 200 mm



Height/Width/Depth 914 / 610 / 200 mm

Ordering data

Stainless steel 1.4404 316L, electropolished	Order No.
1 gland plate - bottom	1200950000
2 gland plates - positioned top and bottom sides (A & B)	1200960000
3 gland plates - positioned bottom, left and right sides (B, C & D)	1200970000
4 gland plates - positioned top, bottom, left and right sides (A, B, C & D)	1200980000

Note Painted sheet steel enclosure available on request. Standard colour is similar to RAL 7035.

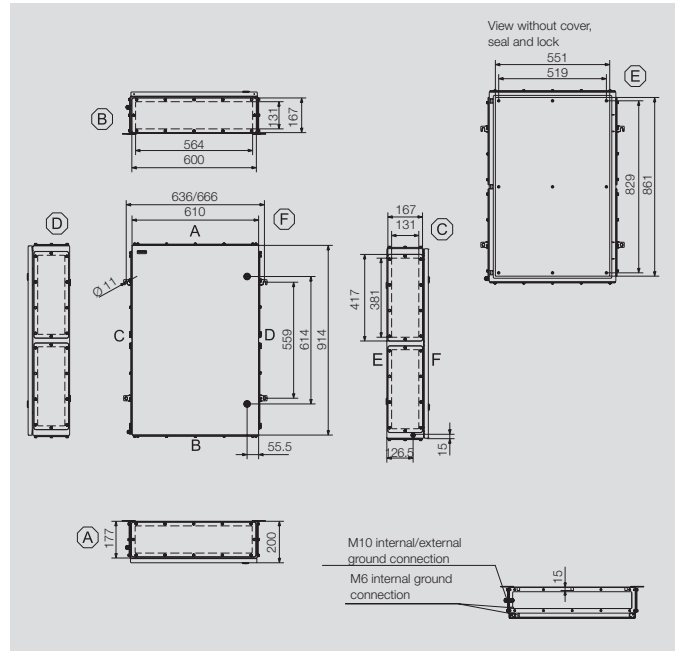
Accessories

Mounting plate	Order No.
Steel sheet, zintec	1194040000
Stainless steel, 1.4301	1193910000

Stainless steel-Spacer M6 x 8, set of 4	Order No.
10 mm length	0935110000
15 mm length	0935120000
20 mm length	0935130000
30 mm length	0935140000

Sheet steel nickel plated Spacer M6 x 8, set of 2	Order No.
15 mm length	3896100000
20 mm length	3896200000
30 mm length	3896300000

Note System accessories can be found after the Klippon® TB QL product pages.



Max. number of terminals (industry)

Max. number of terminals (industry)	vertical	horizontal
2,5 mm ²	5x161	8x102
4 mm ²	4x135	7x85
6 mm ²	4x102	7x64
10 mm ²	3x82	6x52
16 mm ²	3x68	5x43
35 mm ²	2x51	4x32

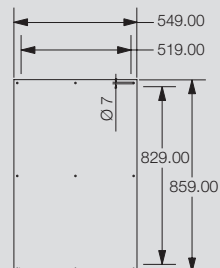
Note *For enclosure versions with zero, one or two gland plates, the horizontal gap between the mounting feet is reduced by 30 mm. Assembly with terminal blocks provides for 10 mm clearance to the ends of the mounting rail. Recommended order: TS35 mounting rail (screw terminal) WDU 2.5 1020000000 / (tension clamp terminal) ZDU 2.5 1608510000 / (tension clamp terminal) PDU 2.5 1896110000 TS32 mounting rail (screw terminal) SAK 2.5 0279660000 TS15 mounting rail (screw terminal) AKZ 2.5 0697160000

Number of cable entries

Number of cable entries	A / B	C / D
M12	88	116
M16	58	80
M20	38	52
M25	33	42
M32	18	24
M40	15	20
M50	6	8
M63	5	6
M75	4	6

Note Our IP68 brass cable glands serve as a reference for these recommended values.

Dimensions of mounting plate





Height/Width/Depth 980 / 740 / 200 mm

Ordering data

Stainless steel 1.4404 316L, electropolished	Order No.
1 gland plate - bottom	1201010000
2 gland plates - positioned top and bottom sides (A & B)	1201020000
3 gland plates - positioned bottom, left and right sides (B, C & D)	1201030000
4 gland plates - positioned top, bottom, left and right sides (A, B, C & D)	1201040000

Note Painted sheet steel enclosure available on request. Standard colour is similar to RAL 7035.

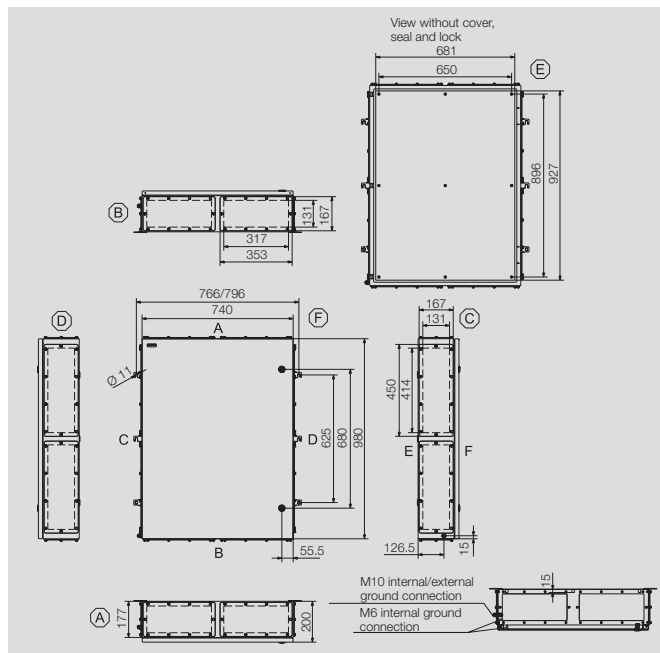
Accessories

Mounting plate	Order No.
Steel sheet, zintec	1194050000
Stainless steel, 1.4301	1193920000

Stainless steel-Spacer M6 x 8, set of 4	Order No.
10 mm length	0935110000
15 mm length	0935120000
20 mm length	0935130000
30 mm length	0935140000

Sheet steel nickel plated Spacer M6 x 8, set of 2	Order No.
15 mm length	3896100000
20 mm length	3896200000
30 mm length	3896300000

Note System accessories can be found after the Klippon® TB QL product pages.



Max. number of terminals (industry)

Max. number of terminals (industry)	vertical	horizontal
2,5 mm ²	6x174	9x127
4 mm ²	6x146	8x106
6 mm ²	5x110	7x80
10 mm ²	4x88	6x64
16 mm ²	4x74	5x54
35 mm ²	3x55	4x40

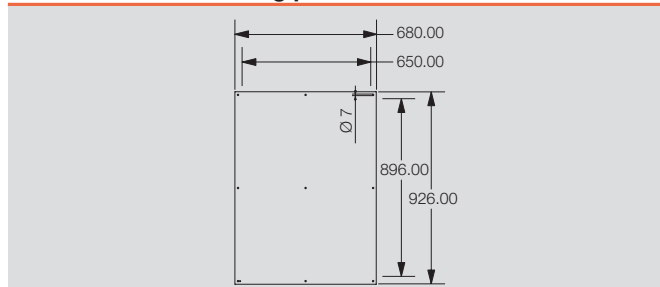
Note *For enclosure versions with zero, one or two gland plates, the horizontal gap between the mounting feet is reduced by 30 mm. Assembly with terminal blocks provides for 10 mm clearance to the ends of the mounting rail. Recommended order: TS35 mounting rail (screw terminal) WDU 2.5 1020000000 / (tension clamp terminal) ZDU 2.5 1608510000 / (tension clamp terminal) PDU 2.5 1896110000 TS32 mounting rail (screw terminal) SAK 2.5 0279660000 TS15 mounting rail (screw terminal) AKZ 2.5 0697160000

Number of cable entries

Number of cable entries	A / B	C / D
M12	96	126
M16	64	84
M20	42	54
M25	36	48
M32	20	26
M40	16	22
M50	6	10
M63	6	8
M75	4	6

Note Our IP68 brass cable glands serve as a reference for these recommended values.

Dimensions of mounting plate



Integrate, expand and customise: the perfect supplement to every application

The fully structured range of system accessories for the Klippon® TB enclosure series allows you to easily adapt the enclosure to meet the specific requirements of every application.

The following options are available:

- Type label holder – to attach identity plates
- Door stay – to securely hold in place an open enclosure lid
- Internal document holder – available in A4, A5 and A6 sizes
- Mounting plates – for custom enclosure component assembly
- Earth Stud Kits – available in either brass or stainless steel
- Locking Inserts with double bit or slotted lock, made from 1.4404 or 1.4301 stainless steel (Klippon® TB QL)
- Stainless steel padlock (Klippon® TB MH)

Other accessories such as rain hoods, spacers, and more are available on request.

Using the appropriate quality tools from Weidmüller guarantees a professional process – they can be found in chapter G.

All in all: ease of operation, maximum functionality and safety for the application and the user.



Industry Segments

Oil, gas & petrochemical industry

Applications placed into a harsh or hazardous environment require an approval. Our Klippon® TB range of enclosures are certified to a variety of international standards including the latest European ATEX 94/9/EG and IECEx standards. These enclosures are typically used in instrumentation and control applications and are ideally suited to meet the demanding needs of the petrochemical industries.



Power industry

Designed to meet the quality and high standards demanded by the power industry (power generation and distribution). The enclosures are suitable for low voltage distribution, lighting and instrumentation applications.



Application specific solutions – Your requirements are our motivation

Each industry has its own requirements calling for more and more individual solutions aside from standard products. Your new product might have to contend with severe conditions. Many applications are subjected to high mechanical strains – through vibration or directly applied forces. Extreme temperature conditions or the application in hazardous areas are further factors your product must be able to comply with. We offer you our competent and target-oriented support for the selection of ideal products for any application. Feel free to contact us!

Individual product development, customer specific assembly or application specific products that are ready for use – with an individual and perfect solution we want to help you to optimise working processes and to ensure your company's sustained efficiency today as well as for the future.

Individual product development

In co-operation with you we will develop individual and future-oriented products on the highest technological level – tailored to your application.

Customer specific assembly

According to your specifications we use our great production expertise and our broad product portfolio to set up the solution meeting your requirements.

Application specific products

Our cross-industrial solutions set standards: Set up for your application, instantly ready for use and available from stock.



Customer specific assembly



Tailored configuration

Consulting, products, development and manufacturing at one stop

As a reliable partner, Weidmüller configures intelligent enclosure solutions that are individually tailored to customer requirements. This enables the customer to reduce costs, enhance efficiency and concentrate fully on their core skills. Weidmüller has the application know-how and the capacities to offer tailored solutions – quickly, flexibly and economically. With partnership-based consulting, Weidmüller provides support in all areas and defines the tasks together with its customers. As the process continues, Weidmüller selects the ideal components from a wide product portfolio and configures them to create a solution that fits perfectly.



Highest level of professional production

Weidmüller has professional project management and extensive manufacturing skill, for example in the area of ATEX or IECEx. A comprehensive portfolio of customer specific assemblies is available:

- Provision of windows, holes and threads in the enclosure
- Equipment with carrier rails
- Equipment with heli-coil inserts
- Enclosure cover, available on request with hinges and other accessories
- Sophisticated machining options such as mill cutting of contours
- Surface coatings on request: special paints, powder coatings, wet paint finish
- Individually co-ordinated device and system markers, e.g. engraved plastic and metal signs – riveted, glued and screw-fitted.
- Furthermore, screw-couplings, cable inlets, command and signal devices can be fitted together with internal wiring
- Welding, class C5, DIN 6700 for stainless steel and steel-plate enclosures



Take multiple profit:

Simplification of ordering and stockholding

One solution – one item number! It will no longer be necessary to order single components. Article variety and stockholding will be reduced.

Professional assembly

All individual components will be pre-assembled thus reducing your assembly time.

Processing of enclosures

Weidmüller uses CNC machining centres to adapt enclosures individually for specific solutions.

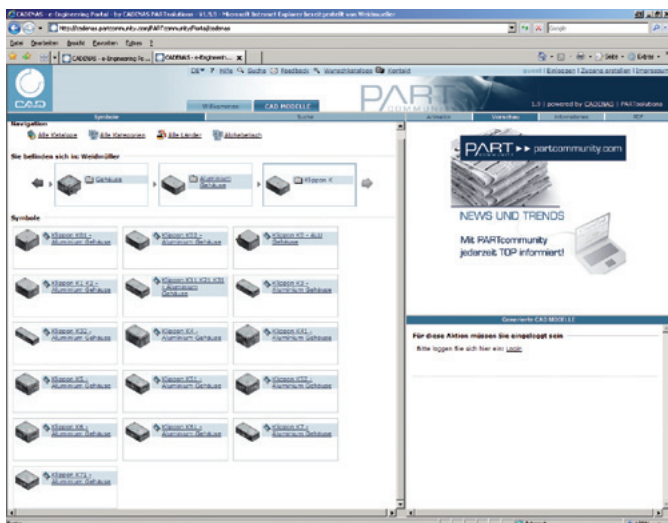
Online product catalogue



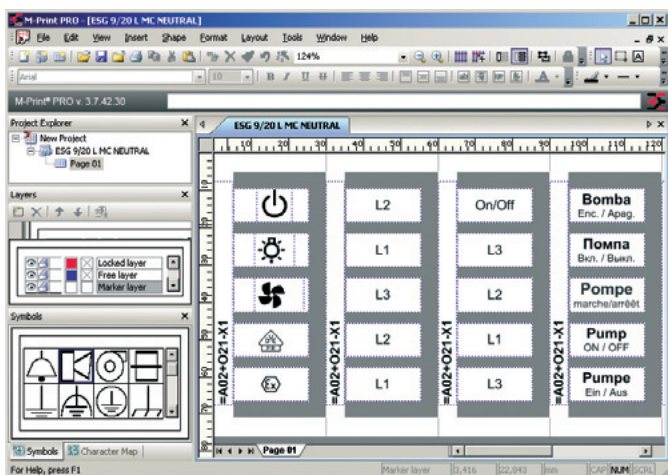
If you have questions about the specifications and details of our products, perhaps even outside normal business hours, then our online catalogue at <http://catalog.weidmueller.com> open 24 hours a day, 365 days a year, is the perfect source for information. Besides product features and part numbers, it contains extensive additional information on all product groups.

For further information, offers and your personal contact, simply consult the Weidmüller website at www.weidmueller.com

CAD drawings



Drawings of Klippon® enclosures can also be downloaded directly in a wide variety of formats from the PART Server <http://portal-de.partcommunity.com/>



M-Print® PRO label designer

The comprehensive range of Weidmüller services includes the M-Print® PRO software.

This is a professional standard, Windows®-based program for printing and ordering labels and markers that is coordinated with our current printing systems and marking materials.

M-Print® PRO enables you to design your labelling materials professionally and quickly. Texts, borders, lines, graphics, barcodes, serial numbers and photographs are all possible. The interface to RailDesigner® or your CAE system enables the transfer of all your configured data.

Addresses worldwide

- AE United Arab Emirates**
Weidmüller Middle East FZE
P.O. Box 8591
SAIF-Zone
Sharjah – U. A. E.
Phone +971 6 5572723
Fax +971 6 5572724
wme.info@weidmueller.com
- AR Argentina**
CPI SA
Bauness 2660
1431 Buenos Aires
Phone +54 11 45238008
Fax + 54 11 45220546
info@cpi.com.ar
www.cpi.com.ar
- AT Austria**
Weidmüller GmbH.
Industriezentrum Nö Süd
Straße 2, Objekt M2
2355 Wiener Neudorf
Phone +43 2236 6708-0
Fax +43 2236 6708-199
office.at@weidmueller.com
- AU Australia**
Weidmüller Pty. Ltd.
P.O.Box 6944
Huntingwood Drive 43
Huntingwood,
NSW, 2148
Phone +61 2 9671-9999
Fax +61 2 9671-9911
info@weidmuller.com.au
www.weidmuller.com.au
- AZ Azerbaijan**
West Industries Ltd.
Caspian Plaza, 5-th Floor
44 J. Jabbarly Str., Baku
Phone +99412 499 15 15
Fax +99412 499 14 93
sales@west-i.com
- BA Bosnia and Herzegovina**
BH ES ELEKTROSISTEM d.o.o.
Bul. Vojvode S.
Stepanovica kod br. 272
78000 BiH - Banja Luka
Phone +387 51 420-340
Fax +387 51 420-341
elsist@inecco.net
www.elektrosistem.ba
- BE Belgium**
Weidmüller Benelux B.V.
Mechelsesteenweg 519 bus 6 en 7
1930 Nossegem
Phone +32 2 752 4070
Fax +32 2 751 3606
info@weidmueller.be
www.weidmueller.be
- BG Bulgaria**
Weid-Bul EOOD
1756 Sofia
13, bul. "Kliment Ohridski"
Phone +359 2 9632560
Fax +359 2 9631098
sofia@weidbul.com
www.weidbul.com
- BH Bahrain**
Khayber Trading Company
P.O. Box 1976 Manama,
Phone +973 720747
Fax +973 720331
khayber@batelco.com.bh
- BR Brazil**
Weidmüller Conexel do Brasil
Rua Garcia Lorca, 176
09695-900, Sao Paulo SP
Phone +55 11 43669600
Fax +55 11 43621677
vendas@conexel.com.br
www.conexel.com.br
- BY Belarus**
TECHNIKON Ltd.
Oktyabrskaya Str. 16/5
Apt. 704, Minsk 220801
Phone +375 17 2275830
Fax +375 17 2275830
technikon@belsonet.net
- CA Canada**
W Interconnections CANADA Ltd.
10 Spy Court, Markham,
Ontario L3 R5 H6
Phone +1 905 475-1507
Fax +1 905 475-2798
info1@weidmuller.ca
www.weidmuller.ca
- CH Switzerland**
Weidmüller Schweiz AG
Rundbuckstraße 2
8212 Neuhausen am Rheinfall
Phone +41 52 6740707
Fax +41 52 6740708
info@weidmueller.ch
www.weidmueller.ch
- CL Chile**
Felipe Bahamondes S.A./ATS AGRO
Maria Luisa Santander 0475
Casilla 3425
Santiago
Phone +56 2 341-1271
Fax +56 2 341-1275
felipe@atsintech.com
- CN China**
Weidmüller Interface International
Trading (Shanghai) Co., Ltd.
25F, BM Intercontinental Business
Center,
100 Yutong Road, Shanghai 200070
P.R. China
Phone +86 21 22195008
Fax +86 21 22195009
www.cnweidmuller.com
- CO Colombia**
Automatización Avanzada S. A.
Carrera 97 No.24c, 23 B4
4 Bogotá D. C.
Phone +57 1 5478510
Fax +57 1 4223044
comercial@
automatizacionavanzada.com
www.automatizacionavanzada.com
- CR Costa Rica**
ELVATRON S.A.
la Uruca 400 Norte
Banco Costa Rica
San José Costa Rica
Phone +506 2 961060
Fax +506 5 200609
dirk.haase@elvatron.com
www.elvatron.com
- CZ Czech Republic**
Weidmüller s. r. o.
Lomnického 5/1705
14000 Praha 4
Phone +420 2 44001400
Fax +420 2 44001499
office@weidmueller.cz
www.weidmueller.cz
- DE Germany**
Weidmüller GmbH & Co. KG
P.O. Box 3054
32720 Detmold
Ohmstraße 9
32758 Detmold
Phone +49 5231 1428-0
Fax +49 5231 1428-116
weidmueller@weidmueller.de
www.weidmueller.de
- DK Denmark**
Wexoe A/S
Lejrvej 31
3500 Vaerloese
Phone +45 45465800
Fax +45 45465801
wexoe@wexoe.dk
www.wexoe.dk
- EC Ecuador**
Elsystec S. A. Electricidad
Sistemas y Tecnología
Vasco de Contreras N35-25
y Mañosa, Quito
Phone +593 2 2456510
Fax +593 2 2456755
Elsystec@uio.satnet.net
- EE Estonia**
Soots Interface OÜ
Pärnu mnt 142
11317 Tallinn
Phone +372 5296177
Fax +372 6096933
info@sootsinterface.ee
www.sootsinterface.ee
- EG Egypt**
Standard Electric (OMEGA)
87, Mohamed Farid Street
Heliopolis, Cairo
Phone +20 26422977
Fax +20 26422955
stdelec@rite.com
- ES Spain**
Weidmüller S. A.
Narcis Monturiol 11-13
Pol. Ind. Sudoeste
08960 Sant Just Desvern
Barcelona
Phone +34 93 4803386
Fax +34 93 3718055
weidmuller@weidmuller.es
www.weidmuller.es
- FI Finland**
JUHA-ELEKTRO OY
P. O. Box 57, 641 Helsinki
Kylvöpolku 6, 680 Helsinki
Phone +358 10 8328 100
Fax +358 10 8328 109
info@juha-elektro.fi
www.juha-elektro.fi
- FR France**
Weidmüller E. U. R. L.
12, Chaussée Jules César
B.P. 263 Orny
95523 Cergy Pontoise Cedex
Phone +33 1 34245500
Fax +33 1 34245501
mail@weidmuller.fr
- GB Great Britain**
Weidmüller Ltd.
1 Abbey Wood Road
Kings, West Malling
ME19 4YT
Phone +44 1732 877000
Fax +44 1732 874296
marketing@weidmuller.co.uk
- GR Greece**
Electrorama S.A.
1 An. Martail Str.
41335 Larissa
Phone +30 2410 552533188
Fax +30 2410 283463189
valizos@electrorama.com.gr
- Greece**
GA Contact Solutions
11, Ippokratous Str.
14452 Metamorfoisi Attika
Phone +30 210 2823233
Fax +30 210 2823233
gasaless@gmail.com
- HK Hong Kong**
United Equity Limited
Suite B, 11/F International Industrial
Centre
2-8 Kwei Tei Street, Fotan, Shatin
Phone +852 26876739
Fax +852 26876735
united_equity@sinatown.com
- HR Croatia**
Elektro Partner d.o.o.
Slavonska Avenija 24/6
10000 Zagreb
Phone +385 1 6184793
Fax +385 1 6184795
elektropartner@zg.t-com.hr
- HU Hungary**
Weidmüller Kft
Gubacsi út 6
1097 Budapest
Phone +36 1 3827700
Fax +36 1 3827701
info@weidmueller.hu
- ID Indonesia**
PT. Nego Electrindo
Ruko Mega Grosir Cempaka Mas,
Blok 1, No 20 – 22
Jl. Let.Jend. Suprato –
Jakarta 10640
Phone +62 21 42882255
Fax +62 21 42882266
sales@negoelectrindo.co.id
- IE Ireland**
Please contact Weidmüller Ltd. in
Great Britain
- IL Israel**
A.U.Shay Ltd.
P.O. Box 10049
Embar Street 23/25
Petch-Tikwa 49222
Phone +972 3 9233601
Fax +972 3 9234601
- Israel**
ATEKA Ltd.
23 Hayetzira St.
Kiryat Aryeh
49130 Petch-Tikva, Israel
Phone +972 3 9392344
Fax +972 3 9243273
marketing@ateka.co.il
www.ateka.co.il
- IN India**
Weidmüller Electronics India Pvt. Ltd
Plot # 32, 3rd Floor, North Court
Lane North Avenue, Opp Jogger's Park
Kalyani Nagar, Maharashtra
411006 Pune
Phone +91 9049800960
Nitish.Rajan@weidmueller.de
- IR Iran**
Tamin Ehtiajat Fani Tehran (TAF Co.)
72, Iranshahr Ave.(Unit # 5)
15816 Tehran
Phone +98 21 8831-7851
Fax +98 21 8882-0268
tafco@safineh.net
- IS Iceland**
Samey Automation Center
Lyngas 13, 210 Garoabaer,
Phone +354 510 5200
Fax +354 510 5201
samey@samey.is
- IT Italy**
Weidmüller S.R.L.
Via Albert Einstein 4
20092 Cinisello Balsamo
Milano
Phone +39 02 660681
Fax +39 02 6124945
weidmuller@weidmuller.it
www.weidmuller.it
- JO Jordan**
HORIZONS
P.O.Box: 330607
Amman Jordan 11133
Phone +962 6 4882114
Fax +962 6 4882115
horizons@go.com.jo
- JP Japan**
Nihon Weidmüller Co. Ltd.
Sphere Tower Tennoz,
2-2-8 Higashi-Shinagawa,
Shinagawa-Ku, Tokyo 140-0002
Phone +81 3 6711-5300
Fax +81 3 6711-5333
www.weidmuller.co.jp
- KR Korea**
Weidmüller Korea Co., Ltd.
6floor, Sukyong building, 242-54
Nonhyun-dong, Kangnam-Gu
Seoul, Korea
Zip: 135-830
Phone +82 2 5160003
Fax +82 2 5160090
info@weidmuller.co.kr
- KW Kuwait**
KANA CONTROLS General
Trading & Cont. CO. W.L.L.
Al Rai Industrial Area,
Plot 28-30, St. 31
P.O.Box: 25593
Safat, 13016
Phone +966-474 1373/4
Fax +966-474 1537
info@kanacontrols.com

Group companies **DE**

Agency abroad **DE**

Without own Agency **DE**

LB Lebanon
Progress Engineering & Trading Enterprises
Al Nahr Street
Beirut
Phone +961 1 444664
Fax +961 1 561880
progress@inco.com.lb

LT Lithuania
ELEKTROS IRANGA
Tinklu g.29a, 5319 Panevezys
Phone +370 45582828
Fax +370 45582727
info@eliranga.lt

LU Luxembourg
Please contact Weidmüller
Benelux B.V. in the
Netherlands

LV Latvia
SIA "ABI4"
56A Daugavgrivas str.
1007 Riga
Phone +371 67470999
Fax +371 67465637
abi_4@tvnet.lv

MD Moldova
BERHORD A&D srl
44, str. Sarmizegetusa 37/3
Off 414, b-dul Decebal, 3,
Christina, MD 2001
Phone +373 22 507137
Fax +373 22 507134
atiuleanu@berhord.com

ME Montenegro
Please contact
ES-YU Elektrosistem in Serbia

MK Macedonia
ELEKTRO – SMK doool
UL. III Makedonska brigada b.b.
1000 Skopje
Phone +389 22 460 295
Fax +389 22 460 298
Elektro-smk@telekabel.net.mk

MT Malta
E. S. S., Electrical Supplies
& Services Ltd
104 J. Sciberras Str.
Hamrun HMR 08
Phone +356 21 255 777
Fax +356 21 255 999
robert@ess.com.mt

MU Mauritius
MUBELO Electrical Ltd
Office 26, Gateway building,
St. Jean Road, Quatre Bornes
Phone +230 467 0989
Fax +230 465 4051
richard.mubelo@orange.mu

MX Mexico
W Interconnections, S.A. DE C.V.
Blvd. Hermanos Serdán No. 698
Col. San Rafael Oriente
Puebla, C.P. 72029
Phone +52 222 22686227
clientes@weidmuller.com.mx

MY Malaysia
Connect Plus Technology Sdn Bhd
No. 43, Jalan PJS 11/22,
Bandar Sunway, 46150 Petaling Jaya
Selangor Darul Ehsan
Phone +60 3 5633 7363
Fax +60 3-5633 6562
paul@cptech.com.my
www.cptech.com.my

NL Netherlands
Weidmüller Benelux B.V.
Franciscusweg 221
1216 SE Hilversum
Postbus 1505
1200 BM Hilversum
Phone +31 35 6261261
Fax +31 35 6232044
info@weidmuller.nl

NO Norway
Siv. Ing. J. F. Knudtzen A/S
Billingstadsletta 97
P.O. Box 160
1378 Nesbru
Phone +47 66 983350
Fax +47 66 980955
firmapost@jfkudtzen.no
www.jfkudtzen.no

NZ New Zealand
Cuthbert S. Steward Limited
27 Te Puni Street
POB 38496
Petone, Wellington
Phone +64 4 5686156
Fax +64 4 5686056
info@weidmueller.de

OM Oman
DAN INTERNATIONAL LLC.
PO.BOX 2901
111 Seeb
Phone +968 503 677
Fax +968 503 755
yedu@danintl.com

PE Peru
IMGEPRO DEL PERU S.A.C.
Jr. Arequipa 3410, Lima 31, Peru
Phone / Fax +51 1 569-7678
dbernardo@imgepro.com.pe
www.imgepro.pe

PH Philippines
Enclosure Systems Specialists Inc
W-15 La Fuerza Compound
2241 Don Chino Roces Avenue
Makati City 1231
Phone +63 2 813 8580
Fax +63 2 813 8596
sales_encsys@pltdsl.net

PK Pakistan
Kana Controls (Pak)
Apartment No. 33 C III
Chenab Block,
Allama Iqbal Town
Lahore, Pakistan
Phone +92 42 5419948
+92 42 7845160
Fax +92 42 5422895
nadeem@kanapak.com
www.kanapak.com

PL Poland
Weidmüller Sp. z o.o.
Ul. Golezdzinowska 10
03-302 Warszawa
Phone +48 22 5100940
Fax +48 22 5100941
biuro@weidmuller.com.pl
www.weidmuller.pl

PT Portugal
Weidmüller Sistemas de
Interface S. A.
Estrada Outeiro Polima, R. Augusto
Dias da Silva, Lote B, Esc. 2
2785-515 Abóboda -São Domingos
de Rana
Phone +351 21 4459191
Fax +351 21 4455871
www.weidmueller.pt

QA Qatar
Doha Motors Trading Co.
(Technical Division)
Post Box No. 145
Airport Road
Doha - Qatar
Phone +974 465 1441
Fax +974 465 0925
dmttech@qatar.net.qa

RO Romania
Rominterface Impex SRL
Str. Gh. Dem Teodorescu 30 A
30916 Bucuresti - sector 3
Phone +40 21 3220230
Fax +40 21 3228857
office@rominterface.ro

RS Serbia
ES-YU Elektrosistem
Pariske komune 41
11070 Novi Beograd, Serbia
Phone +381 11 3018660
Fax +381 11 2693608
esyu@eunet.rs
www.elektrosistem.co.rs

RU Russia
Weidmüller Interface GmbH & Co. KG
Representative Office
Varshavskoye highway, 25A, bld. 6
117105 Moscow
Phone +7 4 95 771-6940
Fax +7 4 95 771-6941
info@weidmuller.ru
www.weidmueller.rus

SA Saudi Arabia
Al Abdulkarim Holding Co.
P.O. Box. 4
Dammam 31411
Phone +9668337110
Fax +9668338242
salehsk@akh.com.sa
www.akte.com.sa

Saudi Electric Supply Co.
P.O. Box 3298
Al Khobar 31952
Phone +966 3 882 9546227
Fax +966 3 882 9547
Safdar.malik@sesco-ge.com

SE Sweden
Weidmüller AB
Axel Daniéssons väg 271
P.O. box 31025
200 49 Malmö
Phone +46 (0) 7 71 43 00 44
Fax +46 (0) 40 37 48 60
info@weidmuller.se
www.weidmuller.se

SG Singapore
Weidmüller Pte. Ltd.
70 Bendemeer Road
#04-03 Luzerne
Singapore 339940
Phone +65 6841 5311
Fax +65 6841 5377
info@weidmuller.com.sg
www.weidmuller.com.sg

SI Slovenia
ELEKTROPOJJI d.o.o.
Stegne 25, 1000 Ljubljana
Phone +386 15113810
Fax +386 15111604
info@elektropojji.si
www.elektropojji.si

SK Slovakia
ELEKTRIS s.r.o.
Elektrárenská 1
83104 Bratislava
Phone +421 2 49200113
Fax +421 2 49200119
bratislava@elektris.sk

TH Thailand
Pisanu Engineering Co., Ltd
800/43-45 Soi Trakulsuk
Asoke-dindaeng Road,
Dindaeng, Bangkok 10400
Phone +66 2 245 9113
Fax +66 2 6429220
jayasankar@pisanu.co.th
www.pisanu.co.th

TN Tunisia
Please contact
Weidmüller E.U.R.L. in France

TR Turkey
Weidmüller Elektronik Ticaret Ltd.
Sirketi
Kavacik Mah. Orhan Veli Kanik
Caddesi 9/1
34810 Beykoz – İstanbul
Phone +90 216 5371070 (Pbx)
Fax +90 216 5371077
info@weidmuller.com.tr
www.weidmuller.com.tr

TW Taiwan
Fittatek Co., Ltd.
12F No. 165 Fu-Kuo Road,
Tso Ying Dist, Kaohsiung
Phone +886 7 566 0858
Fax +886 7 556 3279
stanley@fittatek.com.tw
www.fittatek.com.tw

Taiwan
Eucan Enterprise Ltd.
No. 145 He Ping 2nd Rd
Kaohsiung
Phone +886 7 715 6610
Fax +886 7 715 8748
mark@eucan.com.tw
www.eucan.com.tw

UA Ukraine
TEKO INTERFACE ooo
ul. Lewanewskogo 6
03058 Kiev
Phone +38 044 401 09 90
Fax +38 044 401 08 64
weidmuller@tekointerface.com
www.tekointerface.com.ua

US United States
W-Interconnections Inc.
821 Southlake Boulevard,
Virginia - Richmond 23236
Phone +1 804 7942877
Fax +1 804 3792593
info@weidmuller.com
www.weidmuller.com

UY Uruguay
REUW Uruguay S.A
Av. Bolivia 2001 Esq Rocafuerte
Carrasco Montevideo 11300
Phone / Fax +598 260 48439
clorda@reowuruguay.com.uy

UZ Uzbekistan
OOO "Elektro Potential"
Gani Mavijanovna str., 2B
100084 Tashkent
Phone +998 98-3003821
Fax +998 71-1249286
mzi1958@yandex.ru

VE Venezuela
Somierinca C.A.
Quinta Sagrado Corazon de Jesus -
3ra Transversal - Los Dos Caminos,
Caracas 1070 - A
Phone +58 212 2352748
Fax +58 212 2399341
kiocmoeller@cantv.net
www.kmsomerinca.com.ve

VN Vietnam
AUMI Co., Ltd
E1, La Thanh Hotel,
218 Doi Can Street,
Lieu Giai Ward, Ba Dinh District,
Hanoi City
Phone +84 4762 8601
Fax +84 4266 1391
aumi@aumi.com.vn

Linh Kim Hai Co., Ltd
78 Hoa Cuc Street Ward 7,
Phu Thuan District,
Ho Chi Minh City
Phone +84 8517 1717
Fax +84 8517 1818
lkh@linhkimhai.com.vn

New Sky Co., Ltd
44/28 Tan Hai Street,
Ward 13, Tan Binh District,
Ho Chi Minh City
Phone +84 8812 6593
Fax +84 8812 6594
newsy-e@hcm.vnn.vn
www.newsky-e.com

ZA South Africa
Phambili Interface (Pty) Ltd
P.O. Box 193, 1609 Johannesburg
5 Bundo Road, Sebenza
1610 Johannesburg, Endenvale
Phone +27 11 452 1930
Fax +27 11 452 6455
sales@weidmuller.co.za
www.radicinterface.co.za

DE Other countries
Weidmüller Interface GmbH & Co. KG
Postfach 3030
32720 Detmold
Klingenbergstraße 16
32758 Detmold
Phone +49 5231 14-0
Fax +49 5231 14-2083
info@weidmueller.de
www.weidmueller.com

www.weidmueller.com

Argentina	Indonesia	Saudi Arabia
Australia	Iran	Serbia
Austria	Ireland	Singapore
Azerbaijan	Israel	Slovakia
Bahrain	Italy	Slovenia
Belarus	Japan	South Africa
Belgium	Jordan	Spain
Bosnia and Herzegovina	Kazakhstan	Sweden
Brazil	Korea	Switzerland
Bulgaria	Kuwait	Taiwan
Canada	Latvia	Thailand
Chile	Lebanon	Tunisia
China	Lithuania	Turkey
Colombia	Luxembourg	Ukraine
Costa Rica	Macedonia	United Arab Emirates
Croatia	Malaysia	United States
Czech Republic	Malta	Uruguay
Denmark	Mexico	Uzbekistan
Ecuador	Moldova	Venezuela
Egypt	Netherlands	Vietnam
Estonia	New Zealand	
Finland	Norway	
France	Oman	
Germany	Pakistan	
Great Britain	Peru	
Greece	Philippines	
Hong Kong	Poland	
Hungary	Portugal	
Iceland	Qatar	
India	Romania	
	Russia	

Weidmüller is a leading international provider of solutions for electrical connectivity, transmission and conditioning of power, signal and data in industrial environments.

The company with headquarters in Detmold/Germany develops, produces and sells products in the field of electrical connectivity and electronics all over the world. Via a network of application specialists Weidmüller offers engineering services and develops application specific solutions.

The complete product and service portfolio consistently assures both Weidmüller and its customers of competitive advantages and an increase in value.

We cannot guarantee that there are no mistakes in the publications or software provided by us to the customer for the purpose of making orders. We try our best to quickly correct errors in our printed media.

All orders are based on our general terms of delivery, which can be reviewed on the websites of our group companies where you place your order. On demand we can also send the general terms of delivery to you.

Order number:
1274280000/08/2011 SMDM



X-ON Electronics

Largest Supplier of Electrical and Electronic Components

Click to view similar products for [Mounting Fixings](#) category:

Click to view products by [Weidmuller](#) manufacturer:

Other Similar products are found below :

[007310](#) [007541](#) [6-141-P](#) [620HA038NF09](#) [620HA038NF11](#) [71-074914-006](#) [71-146610-6H](#) [712HA170B23128-N](#) [75-69116-8S](#) [75-69211-3P](#)
[75-69224-28P](#) [75-69224-5S](#) [770-006A109](#) [770-006A109R](#) [770-006A207](#) [770-006A208W1](#) [770-006A209](#) [770-006A306](#) [770-006A703W1](#)
[770-006A704](#) [770-006A704W1](#) [770-006A705](#) [770-006A706](#) [770-006A706W1](#) [770-006A707](#) [770-006A709](#) [770-007A203](#) [770-007A203W1](#)
[770-007A204W1](#) [770-007A207W1](#) [770-007A703](#) [770-007A704W1](#) [770-007A706](#) [770-007A707W1](#) [770-010Y208](#) [770-010Y308](#) [770-](#)
[010Y705](#) [770-010Y706](#) [770-010Y707W1](#) [770-011T201](#) [770-011T203](#) [770-011T701W1](#) [770-011T702](#) [770-011T702W1](#) [770-011T703](#) [770-](#)
[013311](#) [770-013312](#) [770-013709](#) [770-013711](#) [770-013711W1](#)