

Klippon TB MH (Terminal Box - Multi Hinge) KTB MH 352620 S4E1

Weidmüller Interface GmbH & Co. KG
Klingenbergstraße 16
D-32758 Detmold
Germany
Fon: +49 5231 14-0
Fax: +49 5231 14-292083
www.weidmueller.com

Product image



Abbildung ähnlich

Stainless steel enclosures for use in areas exposed to explosion hazards

The Klippon® TB enclosure range provides excellent performance characteristics, even under the most difficult environmental conditions. In addition, it complies with the stricter requirements of potentially explosive atmospheres found specifically in the process or power generation industries. The new Klippon® TB MH enclosure range offers further improvements to a product line that is already successfully leading the market..The Klippon® TB MH enclosure range has the following advantages:

- Available in 12 sizes and 3 standard depths
- Equipped with up to 4 gland plates
- The gasket is protected against compression
- Completely removable padlock tab
- Cover lock outside the sealed zone
- Improved temperature performance
- IP66/IP67 protection
- Completely removable lid – without a tool
- Earthing stud in the cover and base of the enclosure
- Welded mounting feet
- International approvals

General ordering data

| | |
|------------|--|
| Type | KTB MH 352620 S4E1 |
| Order No. | 1194860000 |
| Version | Klippon TB MH (Terminal Box - Multi Hinge), Empty enclosure, stainless steel enclosure, Height: 350 mm, Width: 260 mm, Depth: 200 mm, Gland plates: Bottom, Material: Stainless steel 1.4404 (316L), electropolished, silver |
| GTIN (EAN) | 4032248977543 |
| Qty. | 1 pc(s). |

**Klippon TB MH (Terminal Box - Multi Hinge)
KTB MH 352620 S4E1**

Weidmüller Interface GmbH & Co. KG
Klingenbergstraße 16
D-32758 Detmold
Germany
Fon: +49 5231 14-0
Fax: +49 5231 14-292083
www.weidmueller.com

Technical data
Dimensions and weights

| | | | |
|----------------------------|---------|-----------------------------|-------------|
| Width | 260 mm | Width (inches) | 10.236 inch |
| Height | 350 mm | Height (inches) | 13.78 inch |
| Depth | 200 mm | Depth (inches) | 7.874 inch |
| Mounting dimension - width | 286 mm | Mounting dimension - height | 250 mm |
| Net weight | 6,700 g | | |

Cable glands, left

| | | | |
|-----|----|-----|----|
| M12 | 38 | M16 | 26 |
| M20 | 17 | M25 | 14 |
| M32 | 7 | M40 | 6 |
| M50 | 3 | M63 | 2 |
| M75 | 2 | | |

Cable glands, right

| | | | |
|-----|----|-----|----|
| M12 | 38 | M16 | 26 |
| M20 | 17 | M25 | 14 |
| M32 | 7 | M40 | 6 |
| M50 | 3 | M63 | 2 |
| M75 | 2 | | |

Cable glands, top/bottom

| | | | |
|-----|----|-----|----|
| M12 | 33 | M16 | 22 |
| M20 | 14 | M25 | 12 |
| M32 | 6 | M40 | 5 |
| M50 | 2 | M63 | 2 |
| M75 | 1 | | |

Certificate numbers enclosure

| | | | |
|---|----------------------|--|----------------------|
| Certificate no. assembled enclosure (ATEX) | IBExU14ATEX1050 | Certificate no. empty enclosure (ATEX) | IBExU14ATEX1028 U |
| Certificate no. assembled enclosure (IECEX) | IECEX IBE 14.0013 | Certificate no. empty enclosure (IECEX) | IECEX IBE 14.0004U |
| Certificate no., assembled enclosure (EAC) | RU C-DE.ГБ08.B.01328 | Certificate no., empty enclosure (EAC) | RU C-DE.ГБ08.B.00472 |
| Certificate no. assembled enclosure (INMETRO) | IEx 17.0021 | Certificate no. empty enclosure (INMETRO) | IEx 17.0020U |
| Certificate no. assembled enclosure (AEx) | E223792 | Certificate no. empty enclosure (NEPSI) | GYJ14.1308U |
| Certificate no. assembled enclosure (NEPSI) | GYJ14.1309 | Certificate no., assembled enclosure (KOSHA) | 16-AV4BO-0245X |
| Certificate No. (MARITREG) | 15.40073.250 | Certificate no. (cULus) | E243298 |
| Certificate No. (CCOE) | CCOEP267536/1 | | |

Klippon TB MH (Terminal Box - Multi Hinge) KTB MH 352620 S4E1

Weidmüller Interface GmbH & Co. KG
Klingenbergstraße 16
D-32758 Detmold
Germany
Fon: +49 5231 14-0
Fax: +49 5231 14-292083
www.weidmueller.com

Technical data

General information

| | | | |
|------------------------------|---|-----------------------------|---|
| AF size 1 | 10 mm | Access opening: height | 297 mm |
| Access opening: width | | Areas of use | Explosive risk zone, Process industry, Oil and gas industry, Chemical industry, Offshore, Onshore |
| | 201 mm | Installation advice | Terminal rail / mounting plate |
| Gland plates | Bottom | Material thickness of cover | 1.5 mm |
| Material thickness | 1.5 mm | Max. payload | 36 kg |
| Material thickness of flange | 3 mm | Overall dimensions | 361 x 311 x 215 |
| Opening angle lid | 130 ° | Standards | DIN EN 62208 - Empty enclosure standard, DIN EN 61373 Class 1B**, DIN EN 15085-2, EN 60079-0, EN 60079-7, EN 60079-31, IEC 60079-0, IEC 60079-7, IEC 60079-31 |
| Position PE bolts | | Seal material | Silicone |
| | Page C | Operating temperature, min. | -60 °C |
| Material | Stainless steel 1.4404 (316L) | Impact resistance | 7 J ATEX version, 10 J version standard |
| Surface finish | electropolished | Note: protection class | If used in temperature ranges above 105 °C, IP protection is limited to IP 66. |
| Operating temperature, max. | 135 °C | Lid attachment | 4 hinges and M6 hex-head slotted screws SW10 |
| Protection degree | IP66, IP67 | | |
| Enclosure attachment | 4 welded-on mounting feet with 11 mm holes (2 slotted feet and 2 cross-shaped feet) | | |
| Integral fixing | 4, 6 or 9 stud bolts M6 inner (female) thread | | |

Housing earth

| | |
|----------------------------|--|
| Earth, enclosure, internal | Welded-on M6 stainless-steel earth stud in enclosure body and lid. |
|----------------------------|--|

horizontal assembly

| | | | |
|-----------------------------|------|-----------------|------|
| WDU 10 / ZDU 10 | 2x17 | WDU 16 / ZDU 16 | 1x14 |
| WDU 2,5 / ZDU 2,5 / IDU 2,5 | 2x34 | WDU 35 / ZDU 35 | 1x11 |
| WDU 4 / ZDU 4 | 2x29 | WDU 6 / ZDU 6 | 2x22 |

vertical assembly

| | | | |
|-----------------------------|------|-----------------|------|
| WDU 10 / ZDU 10 | 1x27 | WDU 16 / ZDU 16 | 1x22 |
| WDU 2,5 / ZDU 2,5 / IDU 2,5 | 2x53 | WDU 4 / ZDU 4 | 1x44 |
| WDU 6 / ZDU 6 | 1x33 | | |

Classifications

| | | | |
|------------|-------------|------------|-------------|
| ETIM 6.0 | EC002503 | eClass 6.2 | 27-14-91-07 |
| eClass 7.1 | 27-14-91-07 | eClass 8.1 | 27-14-91-07 |
| eClass 9.0 | 27-18-05-02 | eClass 9.1 | 27-18-05-02 |

Creation date April 18, 2019 10:16:32 AM CEST

Klippon TB MH (Terminal Box - Multi Hinge) KTB MH 352620 S4E1

Weidmüller Interface GmbH & Co. KG
Klingenbergstraße 16
D-32758 Detmold
Germany
Fon: +49 5231 14-0
Fax: +49 5231 14-292083
www.weidmueller.com

Technical data

Product information

Product information **A customised test is required to guarantee application compliance

Approvals

Approvals



ROHS Conform

Downloads

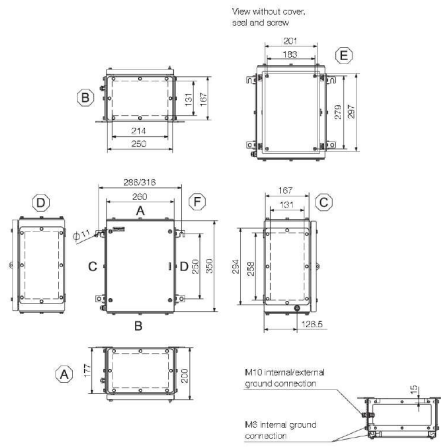
| | |
|---|--|
| Approval/Certificate/Document of Conformity | Attestation of Conformity - Klippon TB Empty Enclosures - AoC DE PS261X_160309_001ISS01 EU Declaration of Conformity - Klippon TB Empty Enclosures - DoC DE PS261X_160412_001ISS01 |
| Brochure/Catalogue | MB OVERV. PROCESS WD DE MB KLIPPON ENCL.TECN EN MB PROCESS EN CAT 5 ENCL 17/18 EN FL WIND 2012 EN FL APPL PROCESS EN FL SHIPBUILDING 2016 EN FL RAILWAY 2014 EN PI KLIPPON TB MH QL EN |
| Engineering Data | EPLAN, WSCAD |
| Engineering Data | STEP |
| Tender specification | Klippon TB MH 352620 S4E1_1194860000_DE Klippon TB MH 352620 S4E1_1194860000_EN Klippon TB MH 352620 S4E1_1194860000_NL |
| User Documentation | MB KLIPPON ENCL.TECN DE Assembly guidelines - empty enclosures |

**Klippon TB MH (Terminal Box - Multi Hinge)
KTB MH 352620 S4E1**

Weidmüller Interface GmbH & Co. KG
Klingenbergstraße 16
D-32758 Detmold
Germany
Fon: +49 5231 14-0
Fax: +49 5231 14-292083
www.weidmueller.com

Drawings

Dimensioned drawing



X-ON Electronics

Largest Supplier of Electrical and Electronic Components

Click to view similar products for [Mounting Fixings](#) category:

Click to view products by [Weidmuller](#) manufacturer:

Other Similar products are found below :

[007310](#) [007541](#) [6-141-P](#) [620HA038NF09](#) [620HA038NF11](#) [71-074914-006](#) [71-146610-6H](#) [712HA170B23128-N](#) [75-69116-8S](#) [75-69211-3P](#)
[75-69224-28P](#) [75-69224-5S](#) [770-006A109](#) [770-006A109R](#) [770-006A207](#) [770-006A208W1](#) [770-006A209](#) [770-006A306](#) [770-006A703W1](#)
[770-006A704](#) [770-006A704W1](#) [770-006A705](#) [770-006A706](#) [770-006A706W1](#) [770-006A707](#) [770-006A709](#) [770-007A203](#) [770-007A203W1](#)
[770-007A204W1](#) [770-007A207W1](#) [770-007A703](#) [770-007A704W1](#) [770-007A706](#) [770-007A707W1](#) [770-010Y208](#) [770-010Y308](#) [770-](#)
[010Y705](#) [770-010Y706](#) [770-010Y707W1](#) [770-011T201](#) [770-011T203](#) [770-011T701W1](#) [770-011T702](#) [770-011T702W1](#) [770-011T703](#) [770-](#)
[013311](#) [770-013312](#) [770-013709](#) [770-013711](#) [770-013711W1](#)